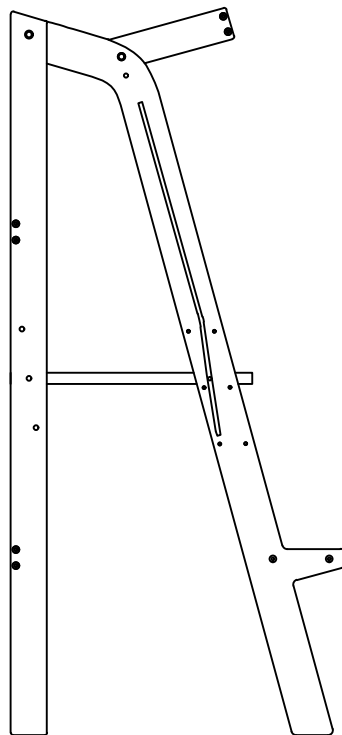


LAKALUK

FOLDING ADJUSTABLE LEARNING TOWER



IMPORTANT

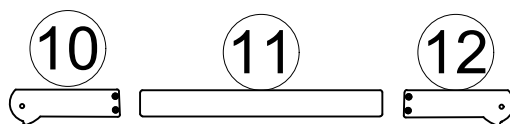
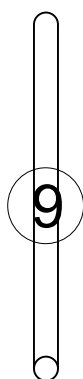
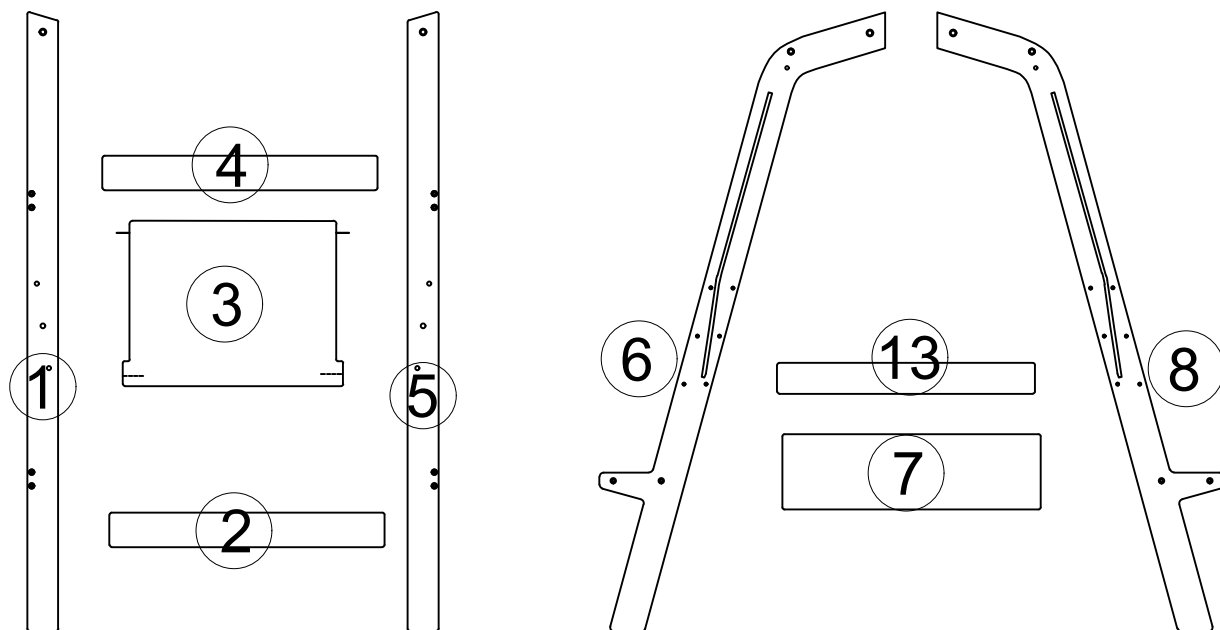
We have tried to make the assembly instructions as clear as possible, but if you ran into any problem during assembly then please write us a message, we will respond as soon as possible, but not later than 12h-24h after the message has been sent. Also, if you have any quality issues with the tower, then please let us know as soon as possible.

Following QR code includes photos of actual assembled tower with part numbers on them. The parts that you find in the box have the same part numbers and also the same part numbers are being mentioned in the assembly instructions. If you aren't able to scan the QR code then please go to the following web page for the photos. <http://tiny.cc/PaPappa>

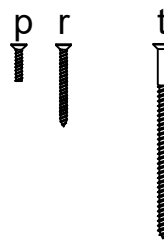
SCAN ME



LEARNING TOWER ELEMENTS

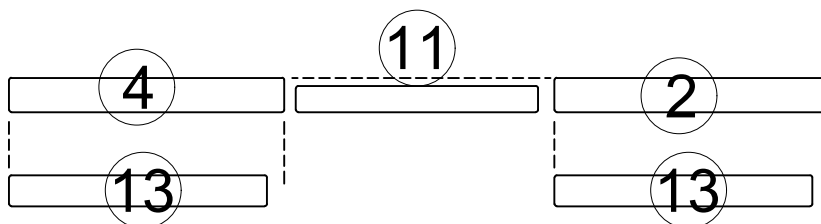


SCREWS

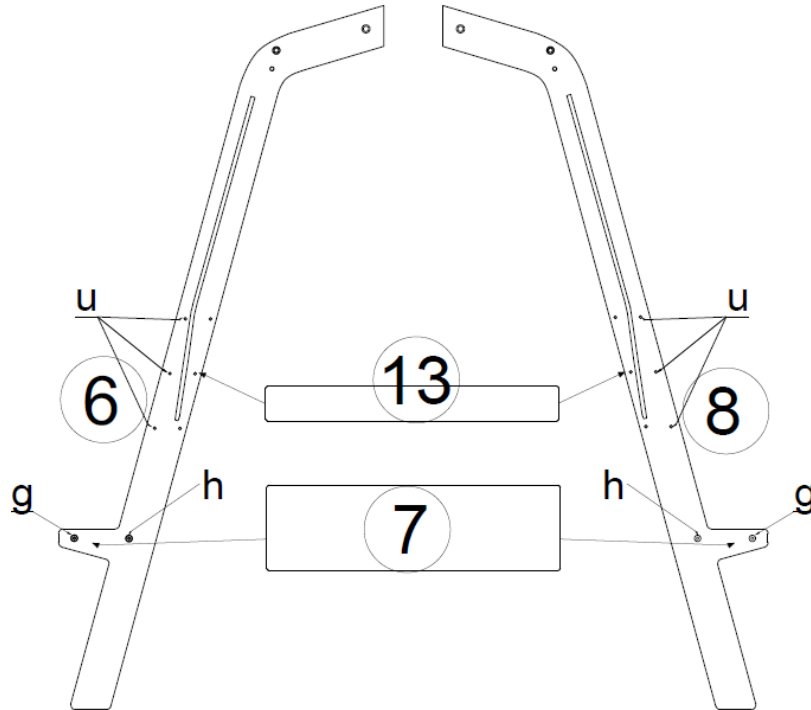


ATTENTION!

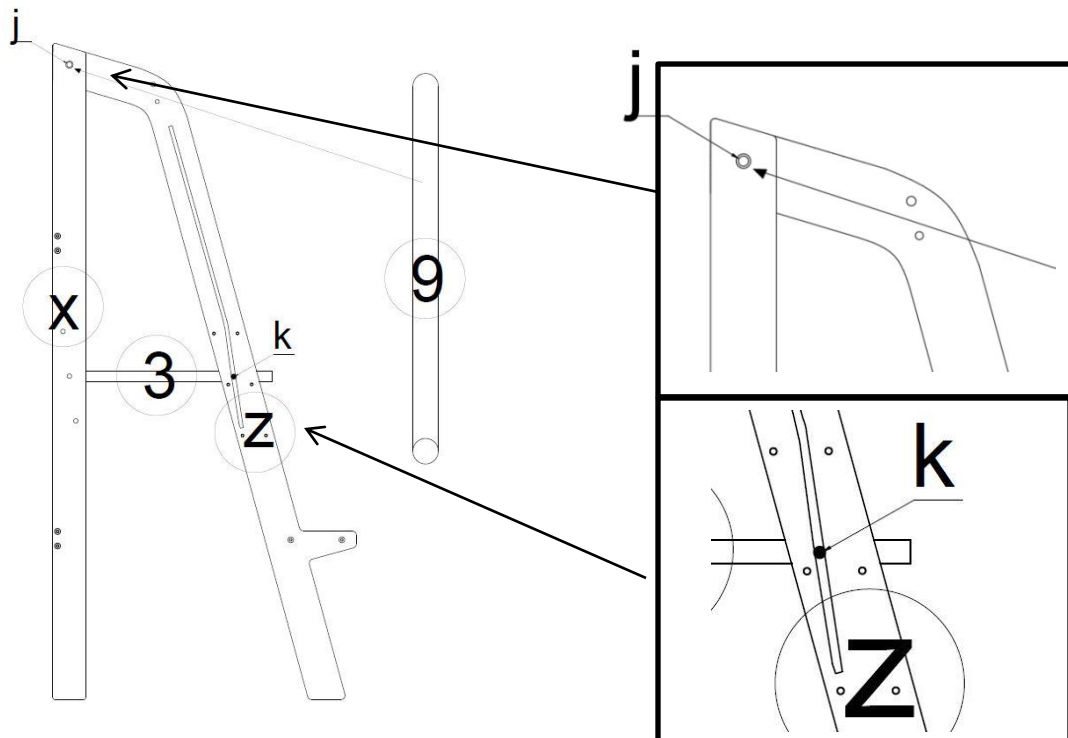
ELEMENTS 4 AND 2 ARE WIDER THAN 11
 ELEMENTS 4 AND 2 ARE LONGER THAN 13



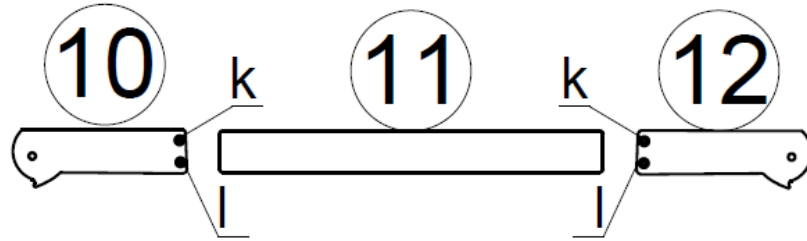
5. Attach element number 6 to element number 7, use screws (r) and holes g and h. Attach element number 8 to number 7 similarly. Attach element number 13 to elements 6 and 8, use screws (r) and holes u. There are three different heights. Attach the element 13 to same height as element 3 was attached before.



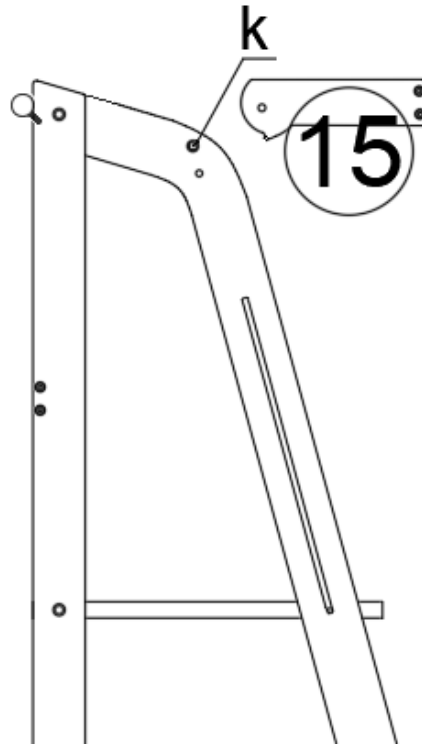
6. Attach parts (x) and (z) together. Element 3 has pins (k) on the side, place them into the cracks in the part (z). Part (z) should be **INSIDE** of part (x) and holes (j) should be aligned. Place screw (t) through hole (j) and attach element 9.



7. Use screws (r) to attach element number 10 and 12 to 11, screws attach through hole k and l.



8. Attach element 15 to the inside of the learning tower. Use bolt (p) and hole k.



!!! CAUTION !!!

When a child is using the learning tower, you must make sure that the back of the learning tower is against a vertical surface (kitchen cabinets, bathroom sink etc.) to avoid any risk of the learning tower falling over.

