



Let the fun begin!

The Learning Tower Company
Website: learningtowers.co.uk
Contact: support@learningtowers.co.uk

Hi there!

Welcome to your new learning tower... you've made a great choice!

Here at The Learning Tower Company, we specialise in all things 'learning towers'. We have used our years of experience to make this product as good as it can be, from the quality of the materials to the design and features.

We're working hard to make our packaging as eco-friendly as we can, protecting the planet for the next generation whilst protecting the quality of your product. We also planted a tree on your behalf when you made this purchase; you can check out our company forest below!

Finally, we have tried to make your assembly process as straightforward as possible. Please approach the activity with a smile on your face and you'll soon be baking, snacking, reading, colouring and engaging with your little one more, for years to come.

With love from, **The Learning Tower Company**

One more thing... just like your family, our little company thrives on positive feedback and social interaction, so we'd be eternally grateful if you'd leave us a review and share any pictures you feel comfortable sharing with us on social media...

Simply hover the camera of your smartphone over the QR Codes below and click on the link that appears to navigate straight to your desired location!

Our Company Forest



Further Assembly Instructions



Leave a Review! Please :)



Facebook



Instagram



Made for Mums Awards 23



Before you get started...

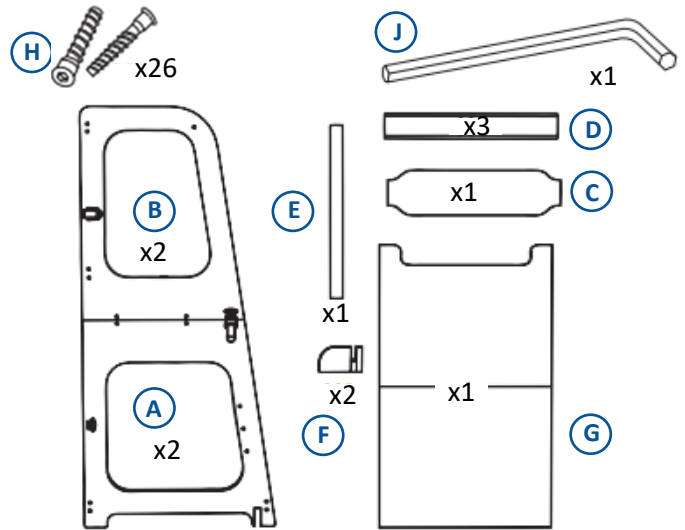
Flatpack furniture.... you either love it or you hate it!

Please approach this activity with a smile on your face and if you have any issues, please get in touch on the details found in the top-right of the page. We're here for you! :)

General Guidance on Assembly

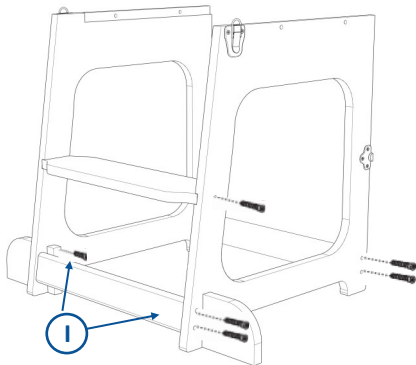
For each step in this process, we recommend first loosely locating the screws at about 50% tightness. Then when the whole tower is assembled, aligned and straight, tighten the screws to 100% (being careful not to overtighten).

1. Check your parts are present and correct ->



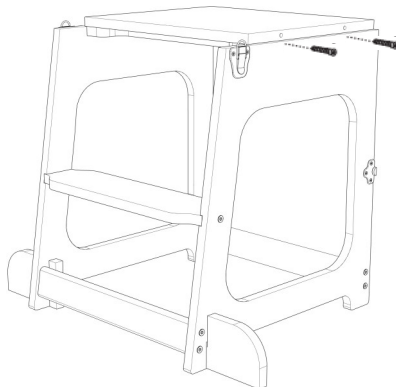
2. Assemble the bottom half

You'll need: 2x A, 1x C, 2x D, 2x F, 12x H, +J.



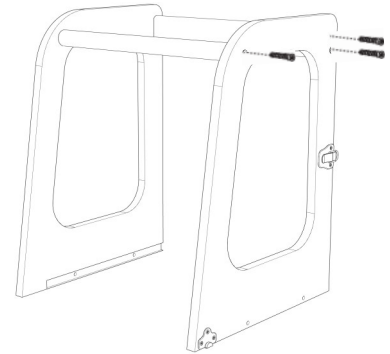
3. Secure platform to the bottom half

You'll need: 1x G, 4x H, +J.



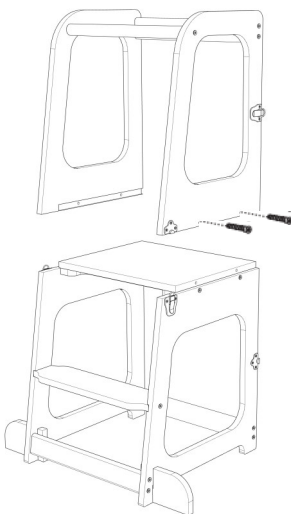
4. Assemble the top half .

You need: 2x B, 1x D, 1x E, 6x H, +J.



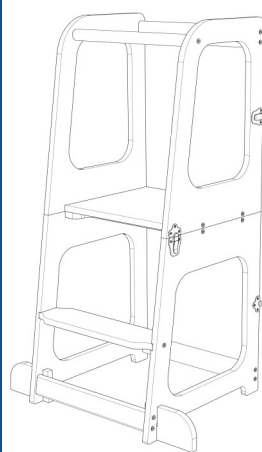
5. Assemble the top to the bottom.

You'll need: 4x H, +J.

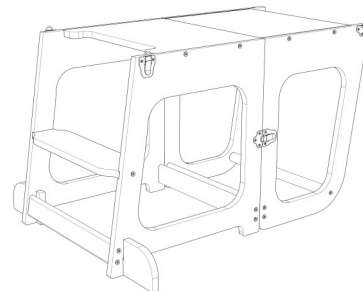


6. Finally....

Stand the tower up and make sure that all parts appear to be aligned and straight. Then tighten all screws securely (do not overtighten).



To move the learning tower between the tower and table/chair options, simply unclip the safety fastenings, reconfigure the tower, and refasten the safety fastenings to fix the tower in place before use.



Warnings: Learning towers are intended for children no younger than 12 months, who can stand unaided. You should always supervise your child when in use. To minimise the potential of the tower tipping forwards when in use, lean tower against a worksurface or wall. Be careful of moving parts when reconfiguring the learning tower. Be careful of small components if assembling the tower in the presence of a child.