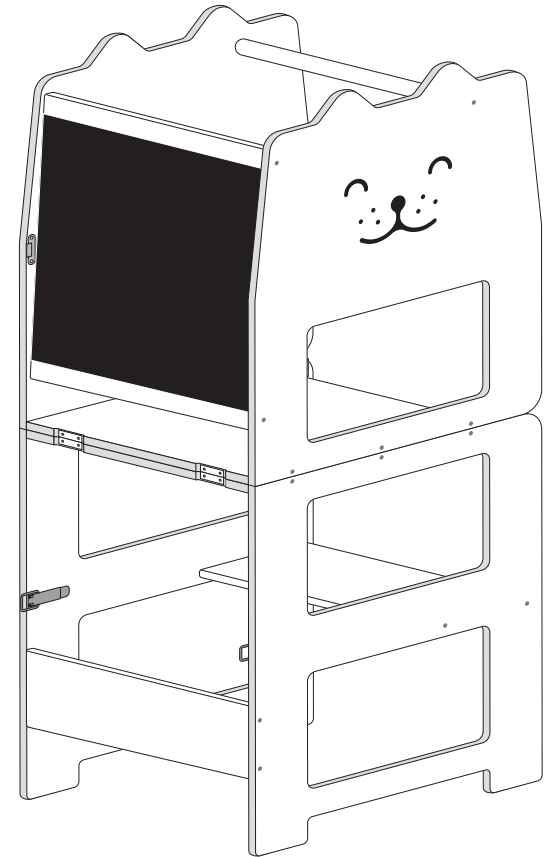


meet all three friends



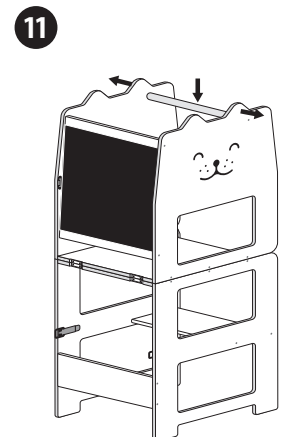
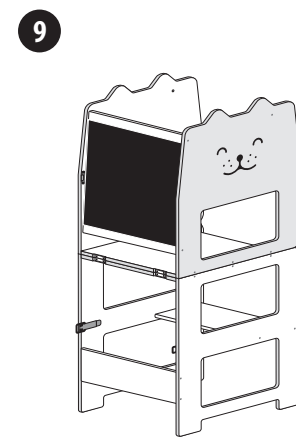
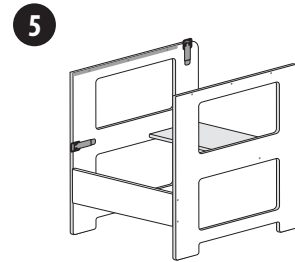
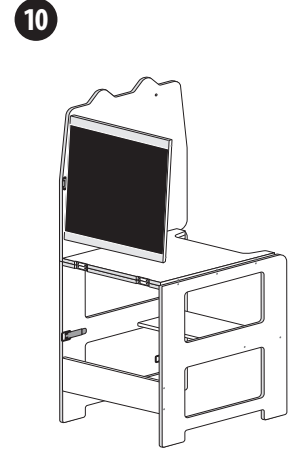
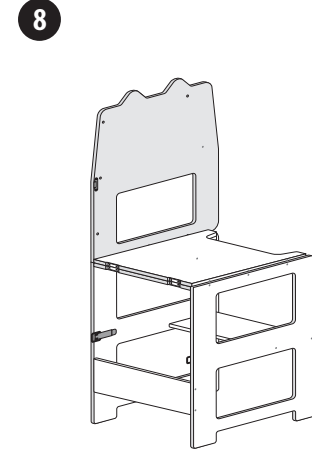
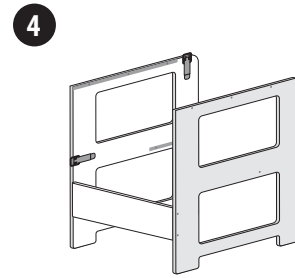
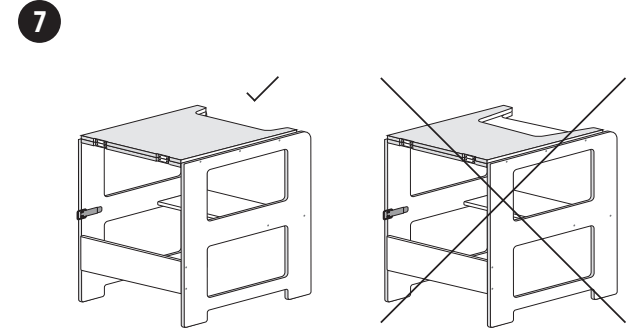
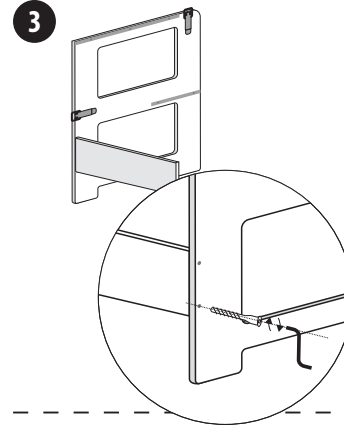
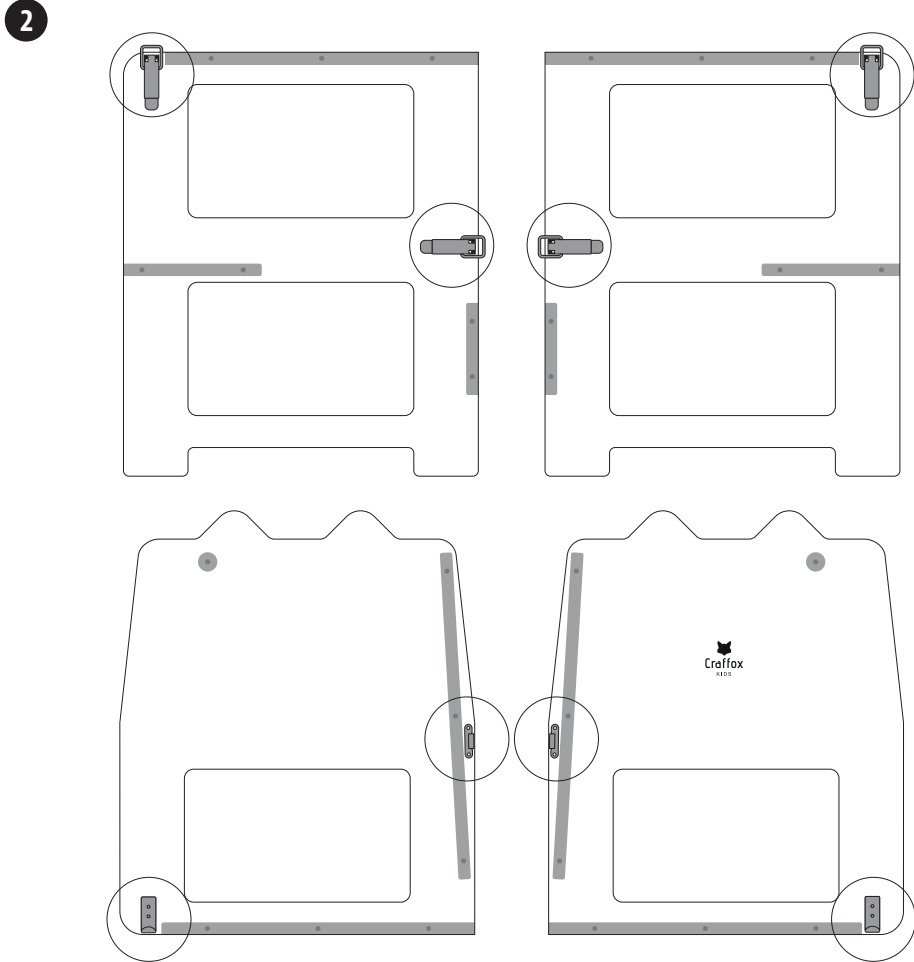
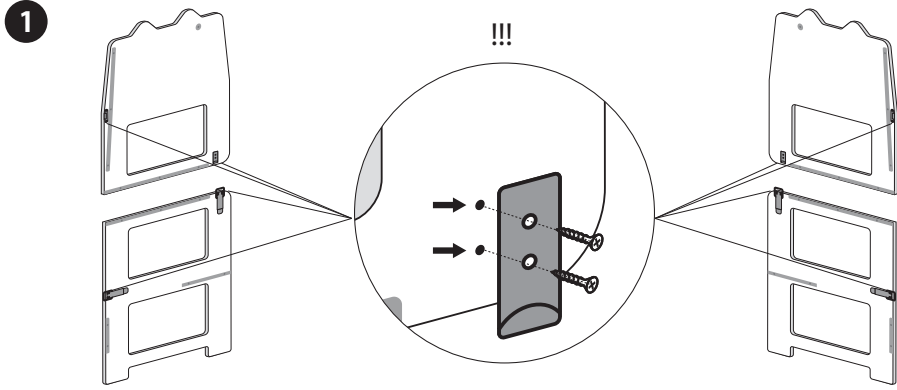
www.craffox.com • www.craffox.etsy.com
www.instagram.com/craffox




Kitchen tower for toddler

ASSEMBLY INSTRUCTION

! FOR ASSEMBLY YOU WILL NEED: ⌚ 10-30 min time ⊕ "+" screwdriver 😊 helper



 As your little one becomes a toddler, she is extremely curious and willing to find out what happens on the kitchen countertop. Another yummy meal preparation just cannot be missed! And not only to see what happens there, but also to engage in the process, to explore, play and help parents with the meal.

Craffox little learning tower is a safe device to step up and oversee the countertop and it will greatly alleviate young parents' care and give much more free time in the kitchen. The child is protected from accidental falling when standing in the little tower, surrounded by rails. Older toddlers who are stable on their feet and are already climbing everywhere will be able to climb on and off the tower with ease.

Kitchen tower is not only a help in kitchen tasks, but also an indispensable tool in situations when a child needs to wash his hands in the washing basin or to clean teeth. Little kitchen tower weighs approximately 8 kg and the child can push it until the place he needs.

Kitchen tower is equipped with a blackboard surface for drawing.

Open the clips and fold down the upper part with one hand and you will get a functional table that can be used even by

two children at a time. It is very important in small apartments, where one piece of furniture can be used instead of two. The clips are used to fixate both positions. Only parents are allowed to transform the furniture from one position into another.

Kitchen tower will safely hold any weight of a toddler, because now and then also a parent can step on it. Maximum load that the tower can safely bear is 70 kg.

Of course, one must take into account that it is especially designed for toddler's weight.

MATERIAL

It is made of Baltic birch plywood, generally famous for its durability. This material is more durable than particle board, which is highly demanded material in the furniture sector. Plywood is also a safe and environmentally friendly material, evidenced by the following certificates: CE, PEFC and FSC.

COATING

1) PLAIN. Coated with natural and resistant oil layer. Coating has a certificate meeting EU toy safety chemical requirements as per DIN EN 71-3

2) WHITE. Coated with white, durable material and are scratch-proof from both sides therefore they look as new for much longer period than a painted surface.

3) PAINTED. Coated with durable PU paint. Coating has a certificate meeting EU toy safety chemical requirements as per DIN EN 71-3

IN BRIEF

- Coated with natural, certified and non-toxic oil.
- Two children can sit at one table (additional chair is necessary)
- Equipped with a blackboard
- Can be used also as a table with a chair
- Durable due to plywood material
- Plywood has CE, PEFC and FSC certificates.
- Durable clips
- Safely bears weight up to 70 kg

DIMENSIONS

Kitchen tower position:

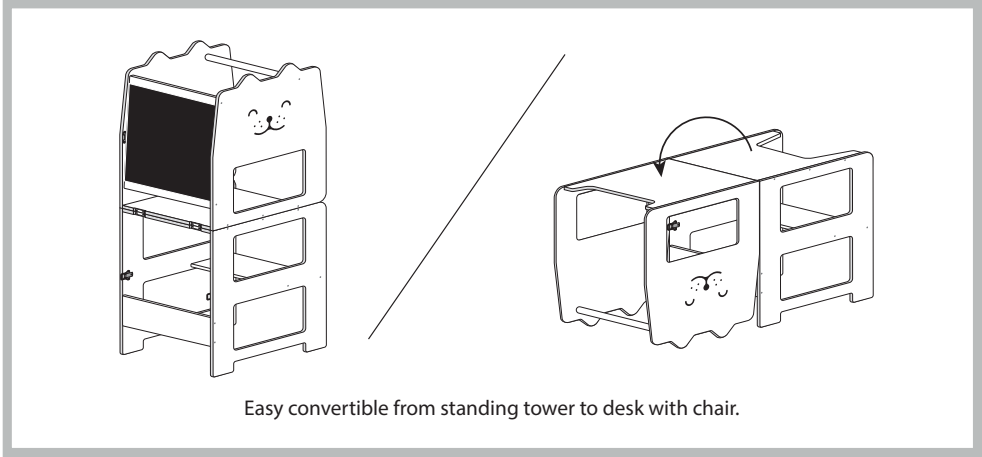
Height: 92cm / 36.2"
Width: 42cm / 16.5"
Depth: 38.5 cm / 15.1"
Height to first step: 23cm / 9"
Height to standing platform: 47cm / 18.5"
Platform dimensions: 29x40cm / 11.4x15.7"
Height from the platform surface to the top: 45cm / 17.7"

Table position:

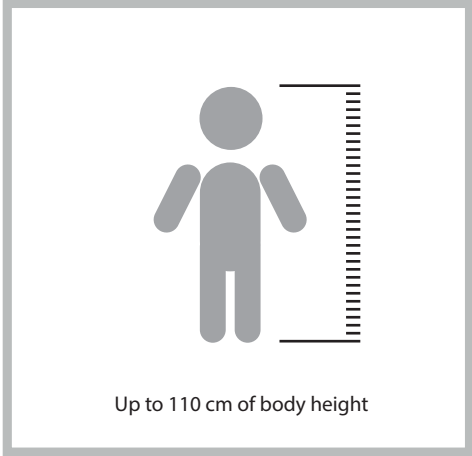
Height: 46cm / 18.1"
Width: 42cm / 16.5"
Depth: 77cm / 30.3"
Seat height: 23cm / 9"

SAFETY INFORMATION

Must only be used under direct adult supervision. Only parents are allowed to transform the furniture from one position into another. Plywood is safe and environmentally friendly material, evidenced by the following certificates: CE, PEFC and FSC. The coating meets the EU child safety standards (DIN EN 71-3).



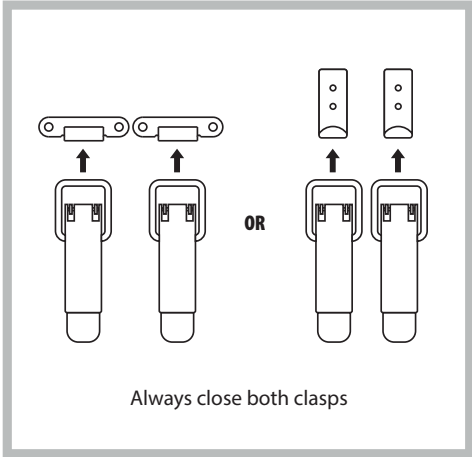
Easy convertible from standing tower to desk with chair.



Up to 110 cm of body height



Must only be used under direct adult supervision.
Only parents are allowed to transform the furniture from one position into another.



Always close both clasps



Safely bears weight up to 70 kg