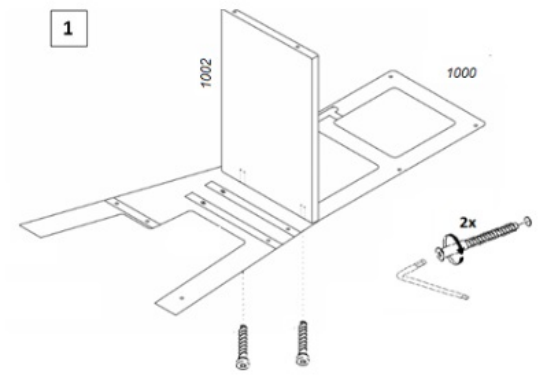
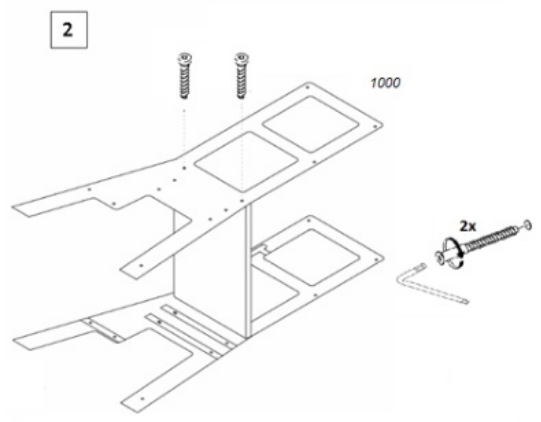


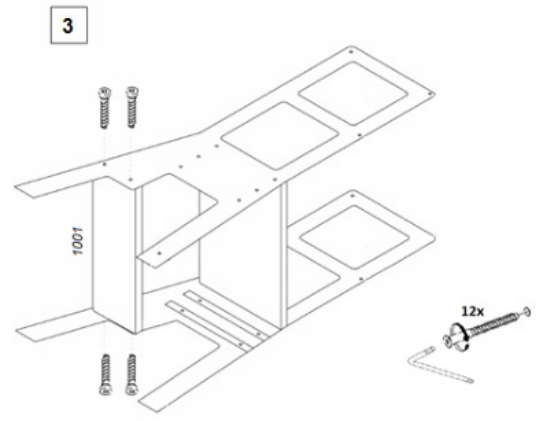
1



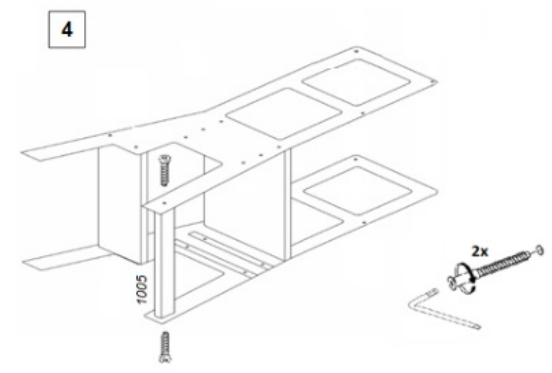
2



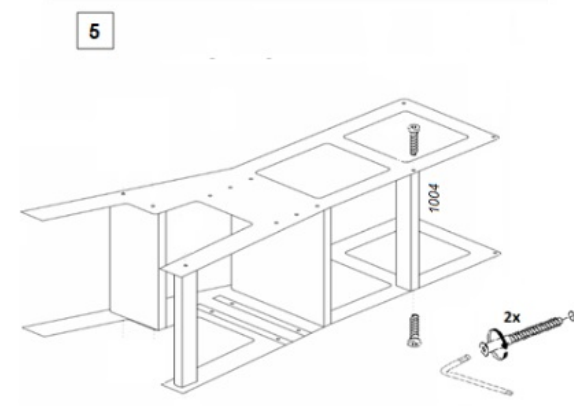
3



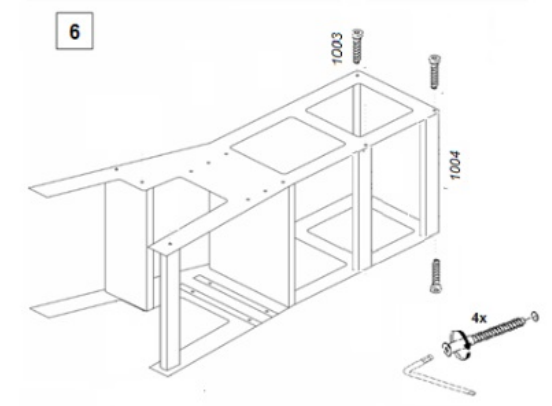
4



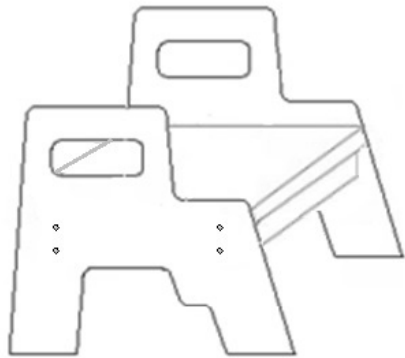
5



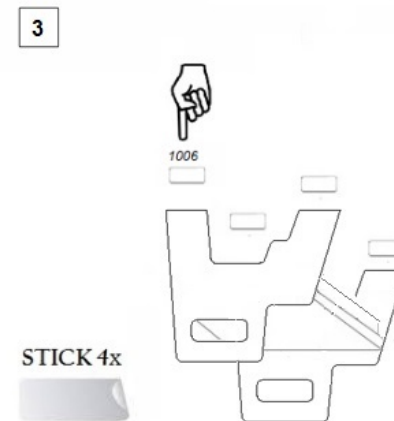
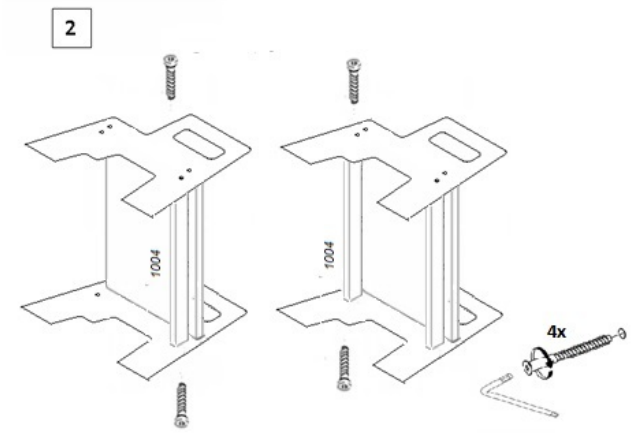
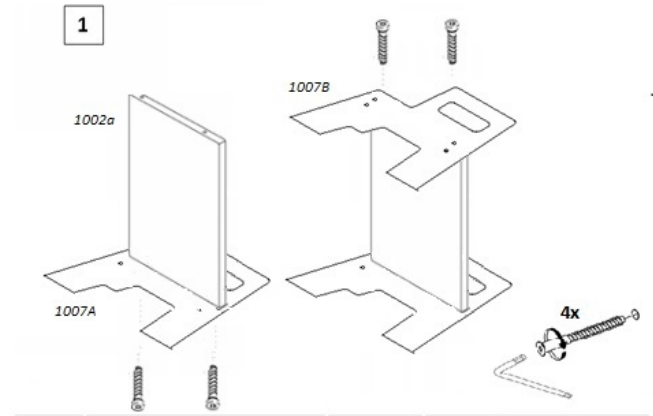
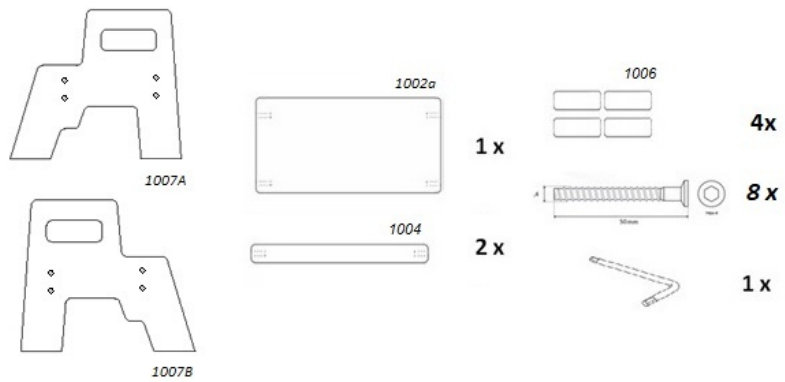
6



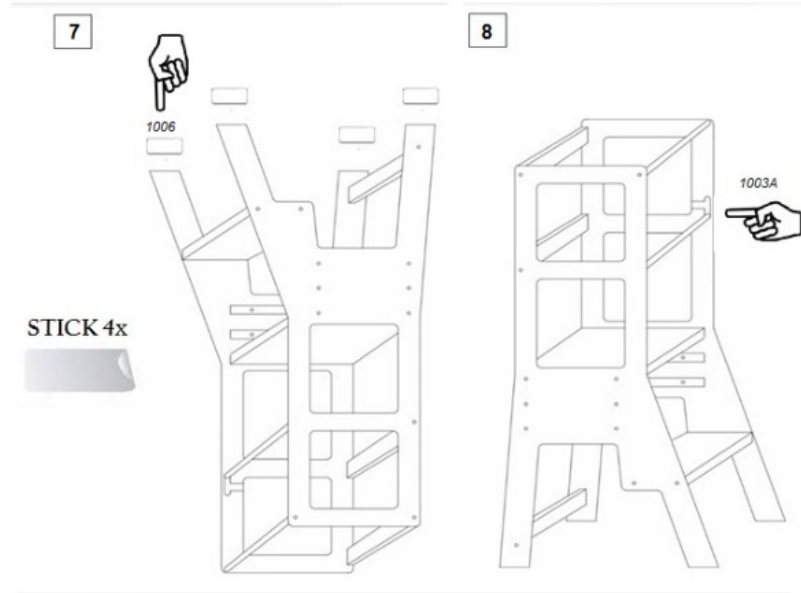
INSTALLATION INSTRUCTIONS



COMPONENTS



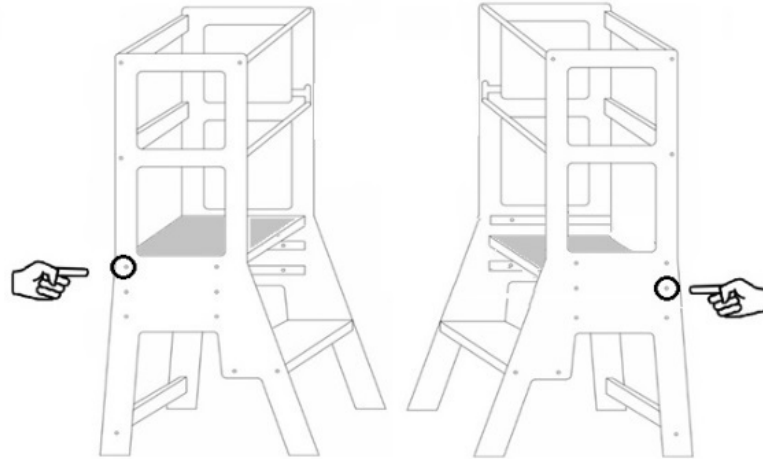
INSTALLATION INSTRUCTIONS



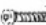
9 PLATFORM HEIGHT ADJUSTMENT

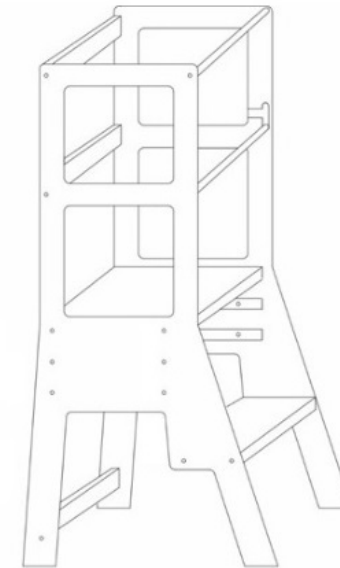
1. UNSCREW 4X 

2. TAKE OUT THE PLATFORM



3. INPUT THE PLATFORM ON THE NEXT LEVEL

4. SCREW IN 4X  TO THE FIRST STOP



COMPONENTS

