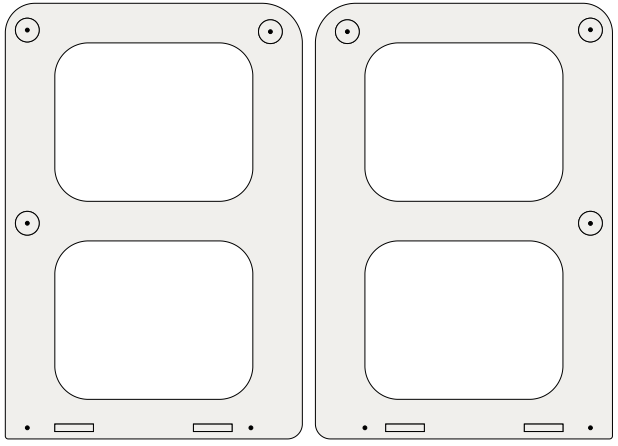




B

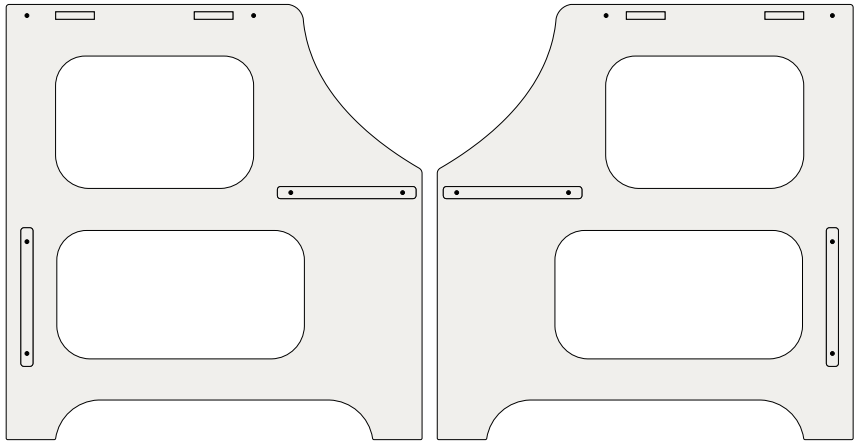


- g -x2
- h -x4
- i -x4

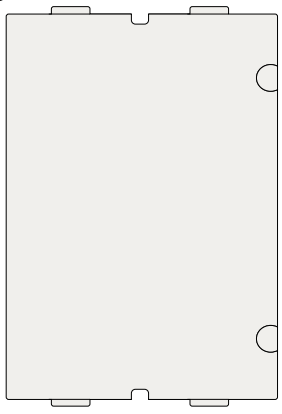
k - 22+1 pcs (4,5x50mm)

m - 32+2 pcs (3x12mm)

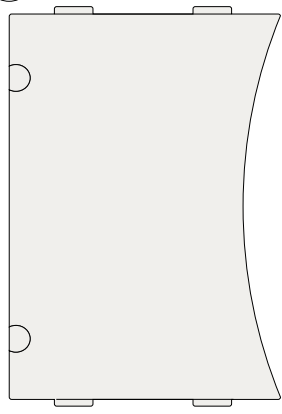
A



C



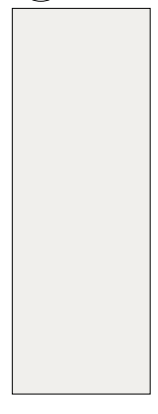
D



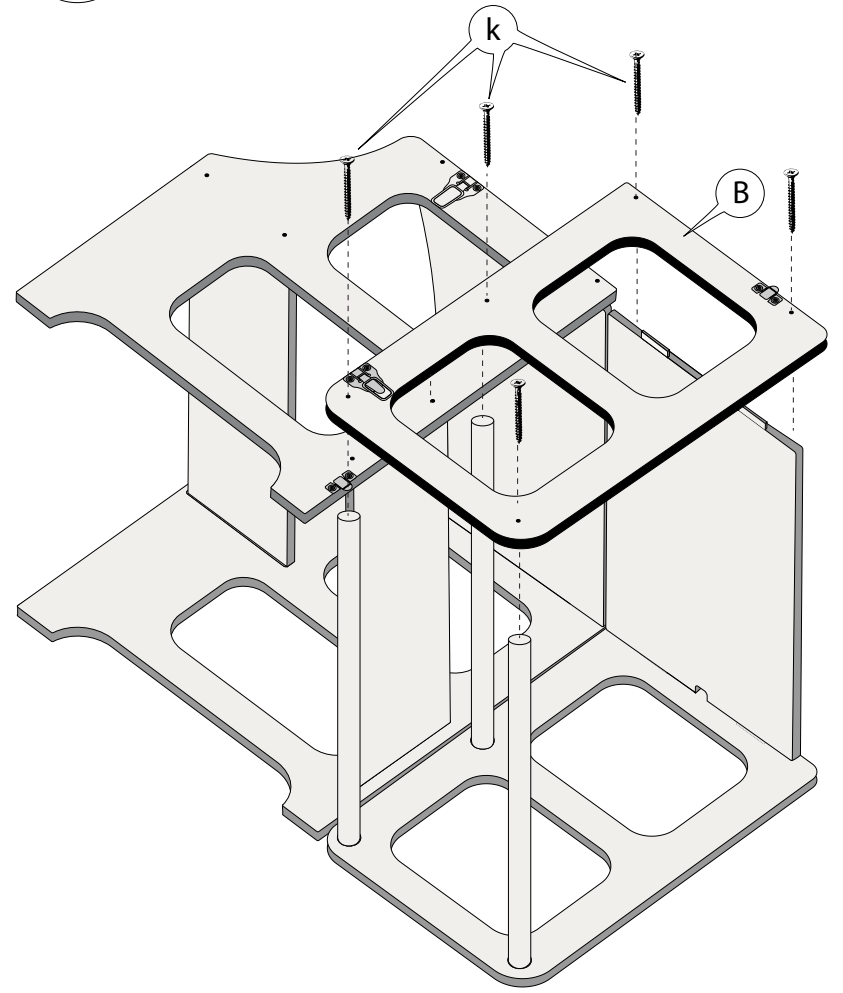
E -x3

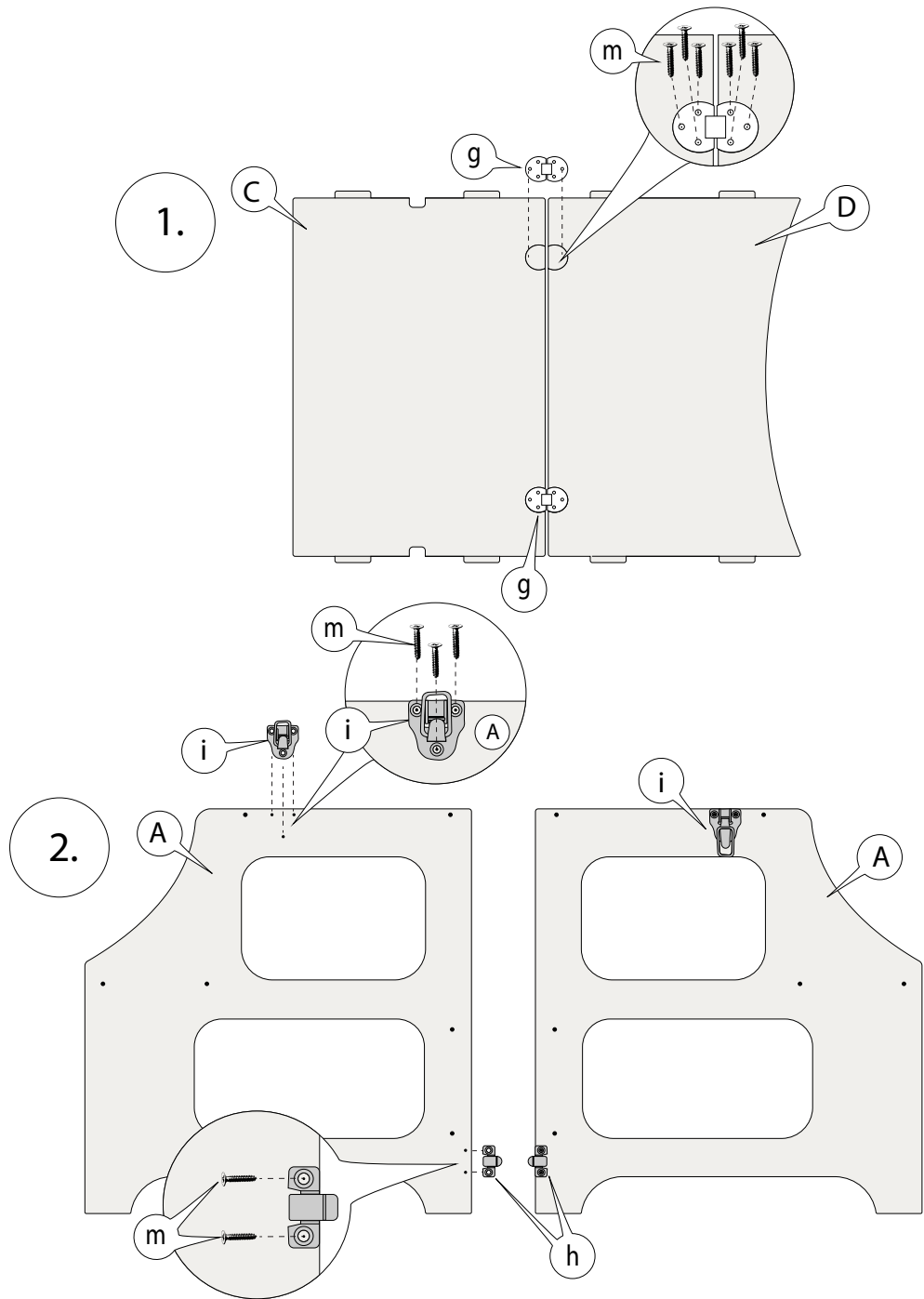
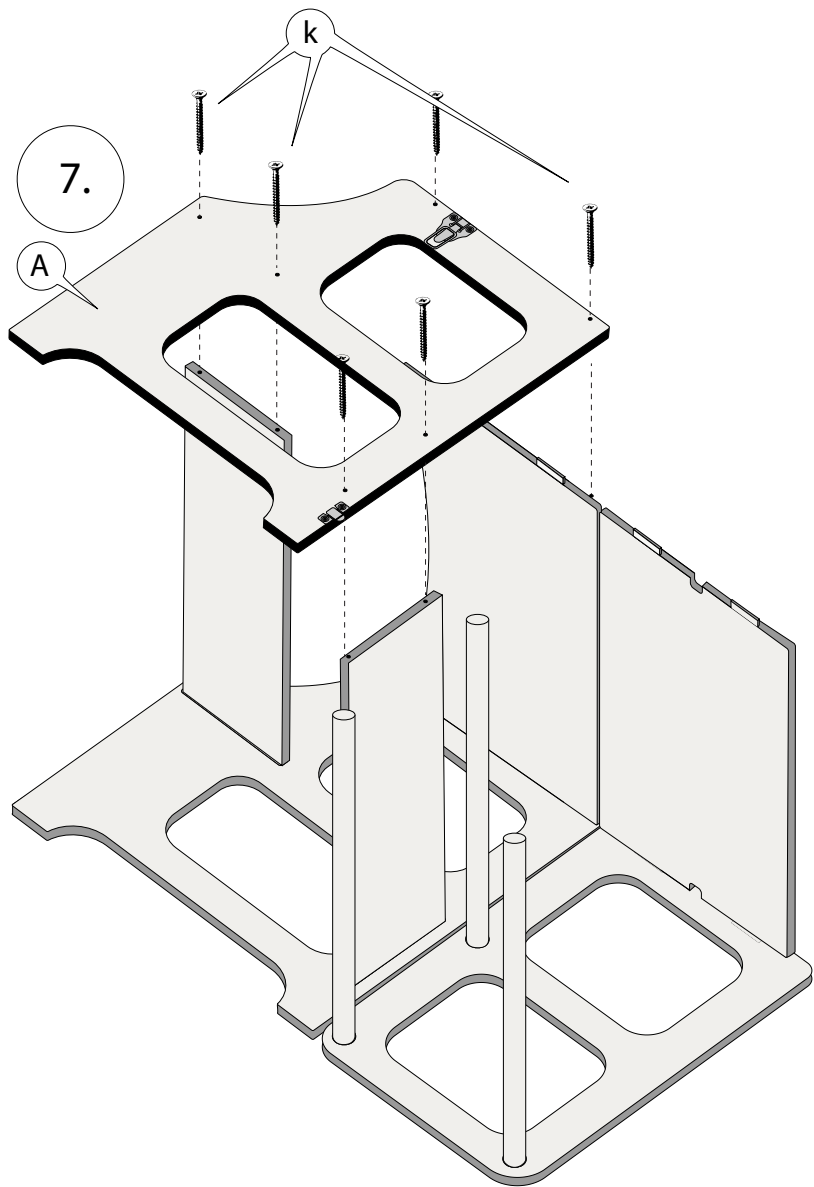


F -x2

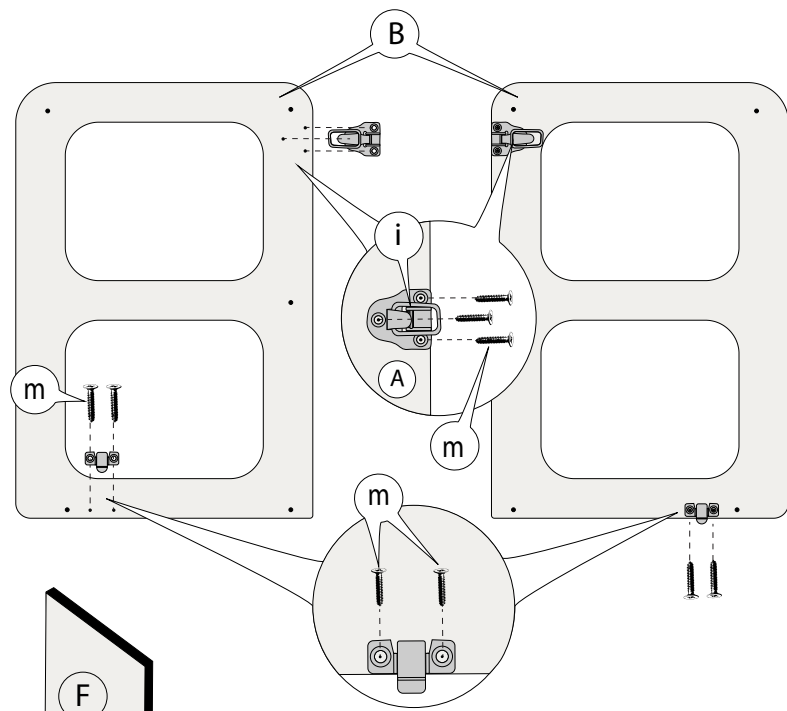


8.

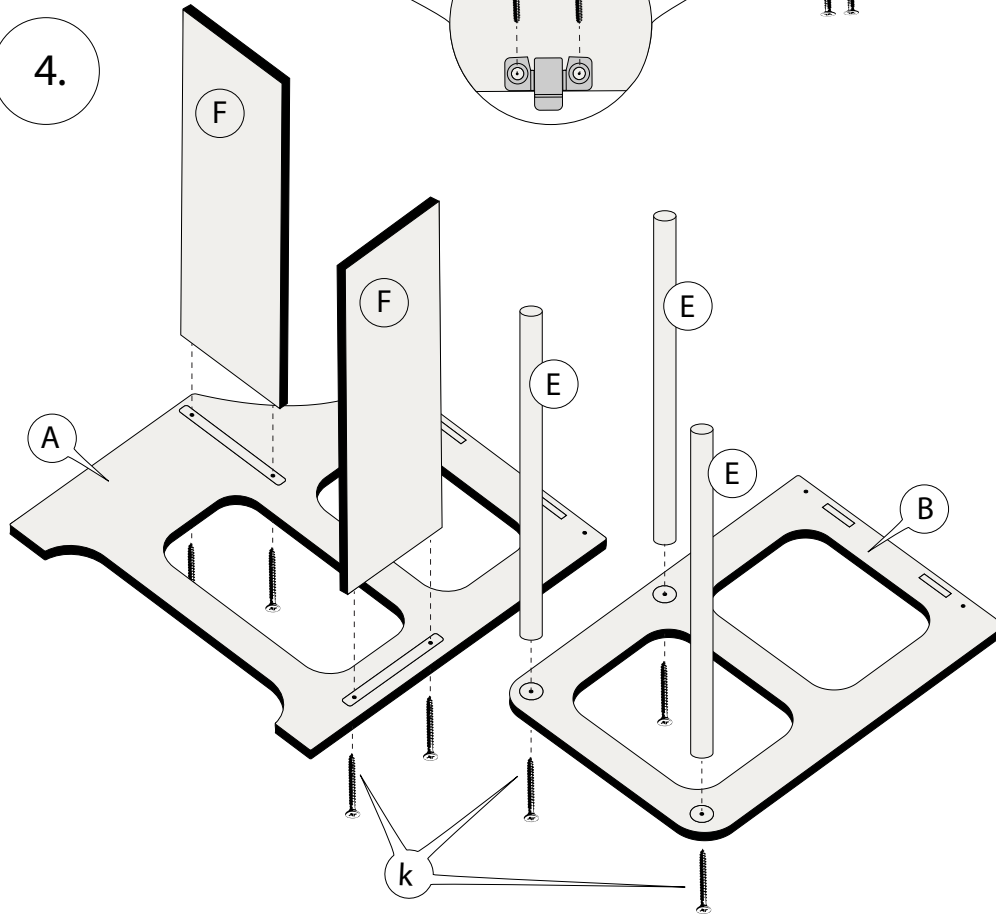




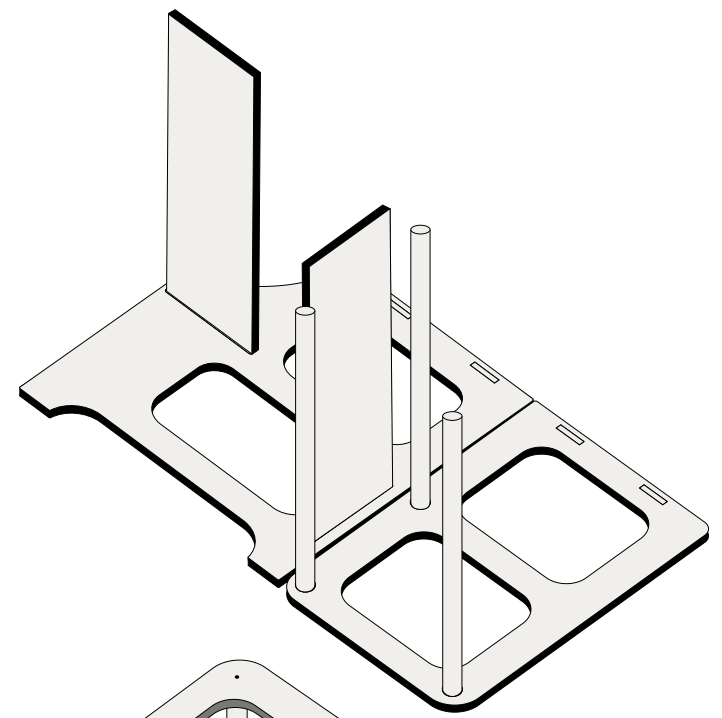
3.



4.



5.



6.

