

# FOLDABLE KITCHEN TOWER

## SET INCLUDES:

- 22 SCREWS
- 10 DIFFERENT WOODEN PARTS
- 3 RODS
- 1 HEX KEY

## YOU WILL NEED:

- GOOD MOOD AND SMILE ON YOUR FACE

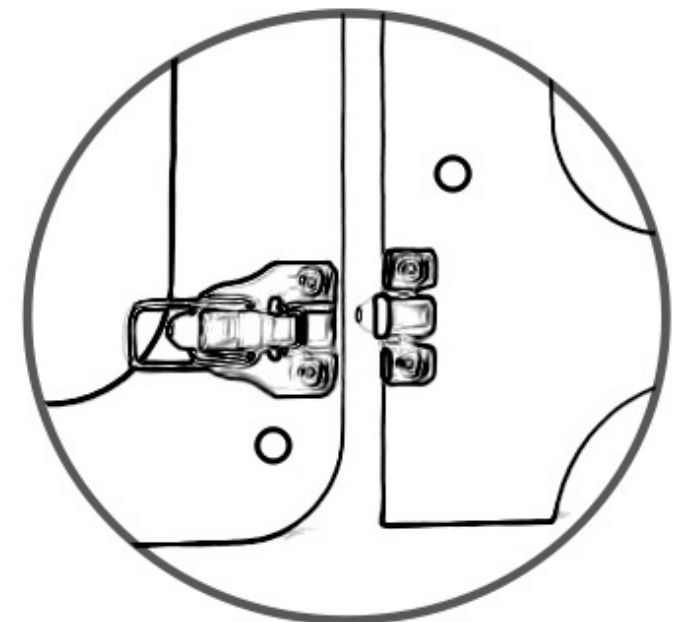
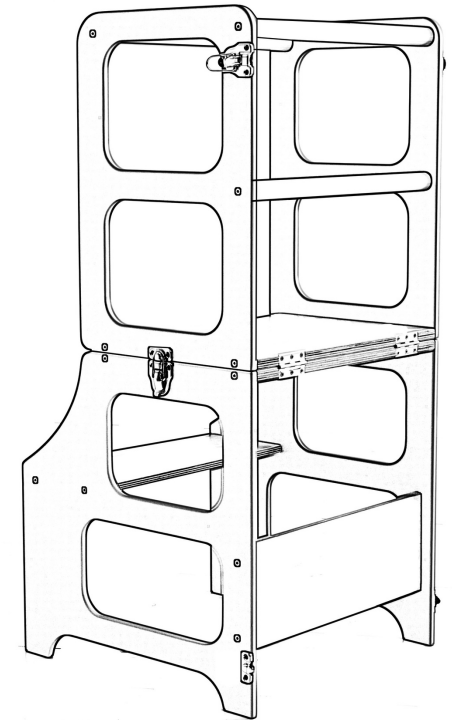
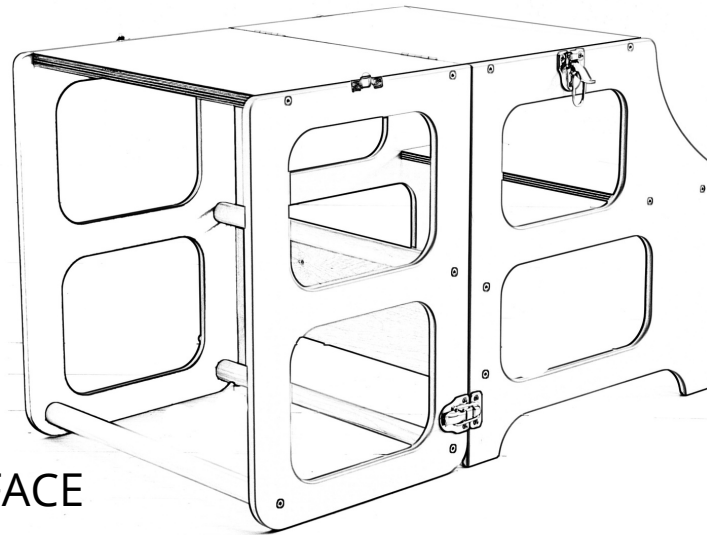
## ASSEMBLY:

PLACE SIDE PARTS ON THE FLOOR AND INSERT REST DETAILS TO SUIT THE SCREW PLACES. THEN PLACE OTHER SIDE PARTS ON TOP AND TIGHTEN SCREWS ONE BY ONE WITH HEX KEY.

DO NOT USE ELECTRIC SCREWDRIVER!

When the kitchen tower is fully put together, the hardware must be screwed in carefully, so that they are in their designated location. Take notice of the screwing marks that have been indicated. Three screws are used to secure the bigger latch, whereas just two are used to secure the smaller latch.

Screw the hardware in the appropriate direction, as shown in the drawing.



Adult supervision is required at all times, never leave a child unattended.