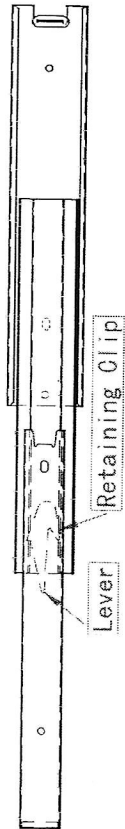


DRAWER SLIDERS

If it becomes necessary to remove drawers:

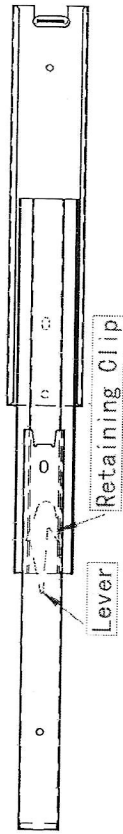
1. Pull drawer all the way out, then push back a fraction of an inch.
2. Insert a screwdriver into slot in the slide and push in on the stop until it clears the lance. Repeat the procedure on the other slide and remove drawer.
3. To re-install drawer, pry stop far enough out to engage lances (3/16" to 1/4") and push drawer onto slide until stops engage lances.



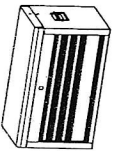

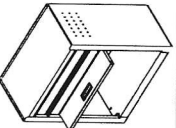
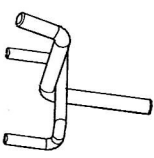

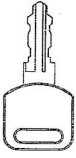

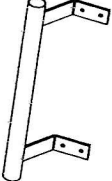
DRAWER SLIDERS

If it becomes necessary to remove drawers:

1. Pull drawer all the way out, then push back a fraction of an inch.
2. Insert a screwdriver into slot in the slide and push in on the stop until it clears the lance. Repeat the procedure on the other slide and remove drawer.
3. To re-install drawer, pry stop far enough out to engage lances (3/16" to 1/4") and push drawer onto slide until stops engage lances.

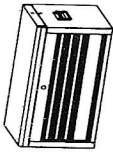

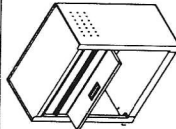
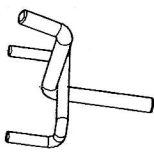
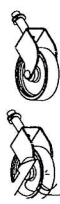


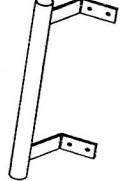


Packing list

| Parts | Qty | Parts | Qty |
|---|-----|---|-----|
|  | 1 |  | 4 |
|  | 1 |  | 4 |
|  | 4 |  | 2 |
|  | 4 |  | 1 |

3

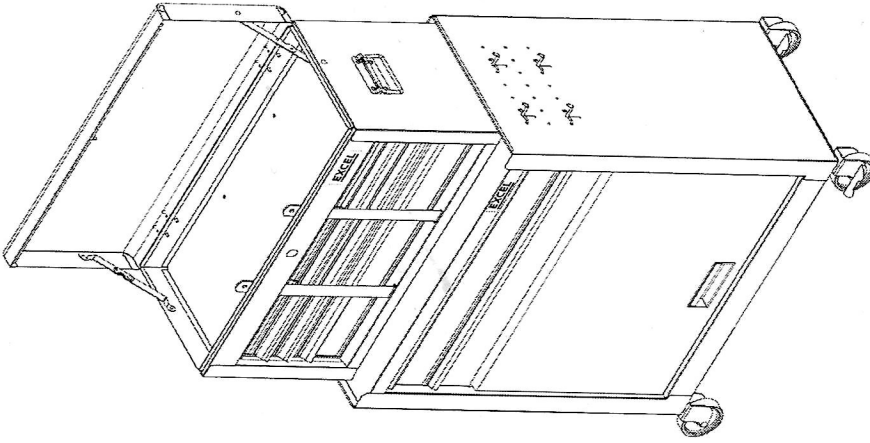
Packing list

| Parts | Qty | Parts | Qty |
|--|-----|---|-----|
|  | 1 |  | 4 |
|  | 1 |  | 4 |
|  | 4 |  | 2 |
|  | 4 |  | 1 |

3

EXCEL

OPERATING INSTRUCTIONS



SKU : 30697

8 DRAWER TOOL CHEST & CABINET



Danger! Read all safety regulations and instructions.
Keep all safety regulations and instructions in a safe place for future use.

EXCEL

CONTACT US:

Tools4Trade Ltd.

6 Fitzhamon Court, Bradwell Wolverton,
Milton Keynes, MK12 6LB

PHONE:

01908 969966

Email:

sales@tools4trade.co.uk

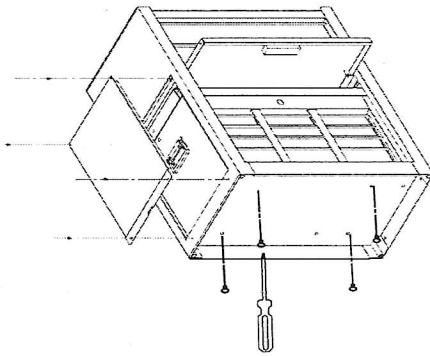
EXCELTOOLS.CO.UK

EXCELTOOLS.CO.UK

ASSEMBLY INSTRUCTIONS

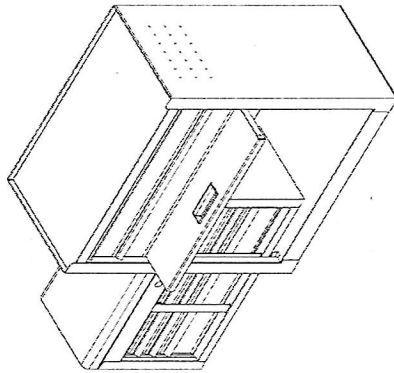
1. REMOVE SIDE PANEL

Remove screws with a screwdriver.



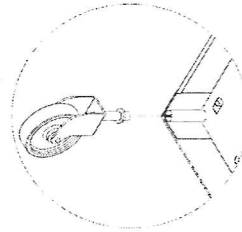
2. REMOVE CHEST

Place cabinet on a level surface. Slowly remove chest from the cabinet.



3. CASTER ASSEMBLY

If caster assembly is loose, using a screwdriver slightly spread apart the split bearing on the shaft. If caster is tight, crimp split bearing with pliers. Make only small adjustments until caster fits.



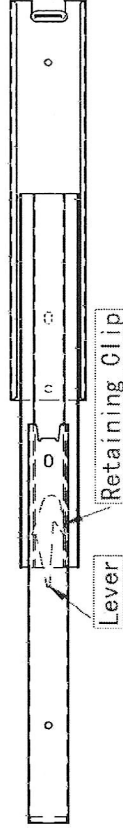
WARNING

1. Lubricate the top and the bottom channels of the drawer slides at least twice a year.
2. Do not open more than one loaded drawer at a time.
3. The maximum loading capacity is 70kgs (154 lbs).

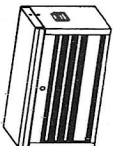

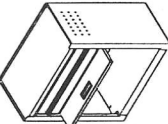
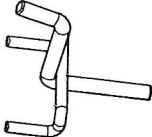

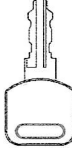


DRAWER SLIDERS

If it becomes necessary to remove drawers:

1. Pull drawer all the way out, then push back a fraction of an inch.
2. Insert a screwdriver into slot in the slide and push in on the stop until it clears the lance. Repeat the procedure on the other slide and remove drawer.
3. To re-install drawer, pry stop far enough out to engage lances ($3/16''$ to $1/4''$) and push drawer onto slide until stops engage lances.

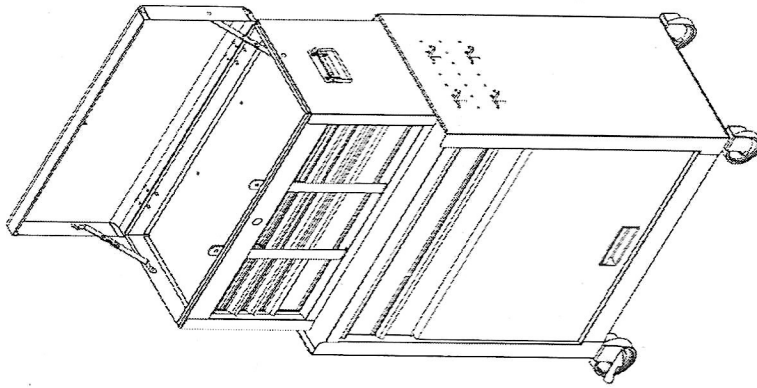


Packing list

| Parts | Qty | Parts | Qty |
|---|-----|---|-----|
|  | 1 |  | 4 |
|  | 1 |  | 4 |
|  | 4 |  | 2 |
|  | 4 |  | 1 |

EXCEL

OPERATING INSTRUCTIONS



SKU : 30697

EXCEL

8 DRAWER TOOL CHEST & CABINET

CONTACT US:

Tools4Trade Ltd.

6 Fitzhamon Court, Bradwell Wolverton,
Milton Keynes, MK12 6LB

PHONE:

01908 969966

Email:

sales@tools4trade.co.uk

**Danger! Read all safety regulations and instructions.
Keep all safety regulations and instructions in a safe place for future use.**



EXCELTOOLS.CO.UK

EXCELTOOLS.CO.UK