

# **EXCEL**

## **Cordless spray gun 18V 30371**



## **INSTRUCTION MANUAL**

## DESCRIPTION OF THE SYMBOLS



Read instructions carefully before any use



Complies with relevant European regulations



The crossed-out wheeled bin symbol indicates that the item should be disposed of separately from household waste. The item should be handed in for recycling in accordance with local environmental regulations for waste disposal.

By separating a marked item from household waste, you will help reduce the volume of waste sent to incinerators or land-fill and minimize any potential negative impact on human health and the environment.

### On battery



Do not expose the battery to water



Do not expose the battery to fire or incinerate



max40°C Do not expose the battery to high temperatures (above 40°C)

### On charger



Class II machine – Double insulation – You don't need any earthed plug.



Use this device indoors only.

## GENERAL SAFETY WARNINGS FOR THE TOOL



**WARNING** Read all safety warnings and instructions. Failure to follow all the warnings and instructions may result in electric shock, fire and/or serious injury.

SAVE ALL THE WARNINGS AND INSTRUCTIONS FOR FUTURE REFERENCE.

The term “power tool” in the warnings refers to your mains operated (corded) power tool or battery operated (cordless) power tool.

### 1) Work area safety

- a) **Keep work area clean and well lit.** Cluttered and dark areas invite accidents.
- b) **Do not operate power tools in explosive atmospheres, such as in the presence of flammable liquids, gases or dust.** Power tools create sparks which may ignite the dust or fumes.
- c) **Keep children and bystanders away while operating a power tool.** Distractions can cause you to lose control.

### 2) Electrical safety

- a) **Power tool plugs must match the outlet. Never modify the plug in any way. Do not use any adapter plugs with earthed (grounded) power tools.** Unmodified plugs and matching outlets will reduce risk of electric shock.
- b) **Avoid body contact with earthed or grounded surfaces such as pipes, radiators, ranges and refrigerators.** There is an increased risk of electric shock if your body is earthed or grounded.
- c) **Do not expose power tools to rain or wet conditions.** Water entering a power tool will increase the risk of electric shock.
- d) **Do not abuse the cord. Never use the cord for carrying, pulling or unplugging the power tool. Keep cord away from heat, oil, sharp edges or moving parts.** Damaged or entangled cords increase the risk of electric shock.
- e) **When operating a power tool outdoors, use an extension cord suitable for outdoor use.** Use of a cord suitable for outdoor use reduces the risk of electric shock.
- f) **If operating a power tool in a damp location is unavoidable, use a residual current device (RCD) protected supply.** Use of an RCD reduces the risk of electric shock.

### 3) Personal safety

- a) **Stay alert, watch what you are doing and use common sense when operating a power tool. Do not use a power tool while you are tired or under the influence of drugs, alcohol or medication.** A moment of inattention while operating power tools may result in

## Original Instructions

---

serious personal injury.

- b) **Use personal protective equipment. Always wear eye protection.** Protective equipment such as dust mask, non-skid safety shoes, hard hat, or hearing protection used for appropriate conditions will reduce personal injuries.
  - c) **Prevent unintentional starting. Ensure the switch is in the off position before connecting to power source and /or battery pack, picking up or carrying the tool.** Carrying power tools with your finger on the switch or energising power tools that have the switch on invites accidents.
  - d) **Remove any adjusting key or wrench before turning the power tool on.** A wrench or a key left attached to a rotating part of the power tool may result in personal injury.
  - e) **Do not overreach. Keep proper footing and balance at all times.** This enables better control of the power tool in unexpected situations.
  - f) **Dress properly. Do not wear loose clothing or jewellery. Keep your hair, clothing and gloves away from moving parts.** Loose clothes, jewellery or long hair can be caught in moving parts.
  - g) **If devices are provided for the connection of dust extraction and collection facilities, ensure these are connected and properly used.** Use of these devices can reduce dust related hazards.
- 4) **Power tool use and care**
- a) **Do not force the power tool. Use the correct power for your application.** The correct power tool will do the job better and safer at the rate for which it was designed.
  - b) **Do not use the power tool if the switch does not turn it on and off.** Any power tool that cannot be controlled with the switch is dangerous and must be repaired.
  - c) **Disconnect the plug from the power source and/or the battery pack from the power tool before making any adjustments, changing accessories, or storing power tools.** Such preventive safety measures reduce the risk of starting the power tool accidentally.
  - d) **Store idle power tools out of the reach of children and do not allow persons unfamiliar with the power tool or these instructions to operate the power tool.** Power tools are dangerous in the hands of untrained users.
  - e) **Maintain power tools. Check for misalignment or binding of moving parts, breakage of parts and any other condition that may affect the power tools operation. If damaged, have the power tool repaired before use.** Many accidents are caused by poorly maintained power tools.
  - f) **Keep cutting tools sharp and clean.** Properly maintained cutting tools with sharp cutting edges are less likely to bind and are easier to

## Original Instructions

---

control.

- g) **Use the power tool, accessories and tool bits etc. in accordance with these instructions, taking into account the working conditions and the work to be performed.** Use of the power tool for operations different from intended could result in a hazardous situation.

### 5) Battery tool use and care

- a) **Ensure the switch is in the off position before inserting battery pack.** Inserting the battery pack into power tools that have the switch on invites accidents.
- b) **Recharge only with the charger specified by the manufacturer.** A charger that is suitable for one type of battery pack may create a risk of fire when used with another battery pack.
- c) **Use power tools only with specifically designated battery packs.** Use of any other battery packs may create a risk of injury and fire.
- d) **When battery pack is not in use,** keep it away from other metal objects like paper clips, coins, keys, nails, screws, or other small metal objects that can make a connection from one terminal to another. Shorting the battery terminals together may cause burns or a fire.
- e) **Under abusive conditions, liquid may be ejected from the battery; avoid contact.** If contact accidentally occurs, flush with water. If liquid contacts eyes, additionally seek medical help. Liquid ejected from the battery may cause irritation or burns.

### 6) Service

- a) **Have your power tool serviced by qualified repair person using only identical replacement parts.** This will ensure that the safety of the power tool is maintained.

## Specific safety instructions for spray gun

- **Not use the spray gun to spray the flammable materials.**
- **Keep your work area clean, well-lit and free of paint and solvents, cloths and other inflammable materials. Possible risk of spontaneous combustion.** Have a fully functioning fire extinguisher available at all times.
- **Ensure adequate ventilation in the spray area and sufficient fresh air in the entire room.** Evaporation of flammable solvents will cause an explosive environment.
- **Do not spray or clean with materials whose ignition point is lower than 21° C.** Use water-based materials, non-volatile hydrocarbons or similar materials. The evaporation of volatile solvents will cause an

## Original Instructions

---

explosive environment.

- **Do not spray near ignition sources such as static electric sparks, open flames, ignition flames, hot items, motors, cigarettes or sparks caused by plugging in/unplugging power cables or by operating switches.** These ignition sources could ignite a fire in the environment.
- **Do not spray any material if you do not know whether it is potentially dangerous.** Unknown materials can cause hazardous conditions.
- **Wear additional personal protective equipment such as suitable gloves and a protective mask/respirator when spraying or when handling chemicals.** Wearing appropriate protective equipment for the conditions reduces your exposure to dangerous substances.
- **The spray gun must not be used for spraying flammable substances.** Do not clean spray guns with flammable solvents.

The use of ear protection is recommended; Hearing damage if you work without ear protection.

Warning! Be aware of the hazards presented by the material being sprayed before operation. And check or consult the marking on the container or the information supplied by the manufacturer of the material to be sprayed.

## EXTRA SAFETY REGULATIONS CONCERNING BATTERY

To ensure the longest battery life and best battery performance, always charge the battery when the temperature is between 18-24°C. Do not charge the battery pack when the temperature is below 0°C, or above 40°C. This is important. Failure to observe this safety rule could cause serious damage to the battery pack.

Do not incinerate the battery pack even if it is seriously damaged or can no longer hold a charge. The battery pack can explode in a fire.

A small leakage of liquid from the battery pack may occur under extreme usage or temperature. This does not necessarily indicate a failure of the battery pack. However, if the outer seal is broken and this leakage comes into contact with your skin:

- ✓ Wash the affected area quickly with soap and water.
- ✓ Flush your eyes with clean water for a minimum of 10 minutes and seek immediate medical attention.

Never attempt to open the battery pack for any reason. If the plastic housing of the battery pack breaks open or cracks, immediately discontinue its use and do not recharge it.

Do not store or carry a spare battery pack in a pocket or toolbox or any other place where it may come into contact with metal objects. The battery pack may be short circuited causing damage to the battery pack, burns or a fire. If storing or disposing the battery pack, cover the terminals with a

## Original Instructions

---

heavy insulation tape to ensure short circuit cannot occur. Batteries, when stored for a long period of time, will discharge.

Do not store or use the tool and battery pack in locations where the temperature may reach or exceed 40°C such as alongside sheds or metal structures in the summer.

Allow the battery pack to cool down after charging. Do not place it in a hot environment such as a metal shed or open trailer left in the sun.

Only charge the battery with the charger supplied.

Do not put the battery pack near fire or high temperature position.

Do not splash or immerse in water or other liquids. This may cause premature cell failure.

When transporting individual batteries, make sure that the battery terminals are protected and well insulated from materials that could contact them and cause a short circuit.

The best storage place is one that is cool and dry away from direct sunlight and excess heat or cold.

If the battery pack has been stored for a long time, you should activate the battery pack first before using it.

The battery is to be disposed of safely.

## EXTRA SAFETY REGULATIONS CONCERNING BATTERY CHARGER

This appliance can be used by children aged from 8 years and above and persons with reduced physical, sensory or mental capabilities or lack of experience and knowledge if they have been given supervision or instruction concerning use of the appliance in a safe way and understand the hazards involved.

Children shall not play with the appliance.

Cleaning and user maintenance shall not be made by children without supervision.

For indoor use only

Warning do not recharge non-rechargeable batteries

If the supply cord is damaged, it must be replaced by the manufacturer, its service agent or similarly qualified persons in order to avoid a hazard.

Before using the charger, read all the instructions and cautionary markings on the charger and battery pack as well as the instructions on the battery pack.

Only charge your battery pack indoors as the charger is designed for indoor use only.

**DANGER:** If the battery pack is cracked or damaged in any other way, do not insert it in the charging base. There is a danger of electric shock or electrocution.

## Original Instructions

---



**WARNING:** Do not allow any liquid to come into contact with the charger. There is a danger of electric shock.

The charger is not intended for any use other than charging the exact type of rechargeable battery pack as supplied with the charger. Any other use may result in the risk of fire, electric shock or electrocution.

The charger and battery pack supplied with it are specifically designed to work together. Do not attempt to charge the battery pack with any other charger than the one supplied.

Do not place any object on top of the charger as it could cause overheating. Do not place the charger near any heat source.

Pull on the charger to disconnect it from the power source. Do not pull on the lead.

Make sure that the charger lead is positioned where it will not be stepped on, tripped over or otherwise subjected to damage or stress.

Do not use an extension cord unless it is absolutely necessary. The use of an improper extension cord could cause the risk of fire, electric shock or electrocution.

Do not use the charger if it has been subjected to a heavy knock, dropped or otherwise damaged in any way. Take the charger to an authorized service centre for a check or repair.

Do not disassemble the charger. Take it to an authorized service centre when service or repair is required. Incorrect re-assembly may result in the risk of fire, electric shock or electrocution.

To reduce the risk of an electric shock, unplug the charger from the power supply before attempting to clean it. Removing the battery pack alone does not reduce the risk.

The charger is designed for use from a standard household electrical supply. Do not attempt to connect the charger to a supply with a different voltage.

The charger is not intended for use by persons (including children) with reduced physical, sensory or mental capabilities, or lack of experience and knowledge, unless they have been given supervision or instruction concerning use of the charger by a person responsible for their safety.

Children should be supervised to ensure that they do not play with the charger.

Do not expose charger to rain or snow.

Do not mount charger on wall or permanently affix charger to any surface. The charger is intended to use on a flat, stable surface(i.e. table top, bench top)

Never attempt to connect two chargers together.

Never insert any objects into the charger's air vents. Electric shock or damage to the battery charger may result.

Disconnect the charger from the outlet before attempting any cleaning.



## Original Instructions

---

This will reduce the risk of electric shock. Removing the battery pack will not reduce this risk.

Never recharge a fully charged battery cartridge.

Do not charge non-rechargeable batteries.

### Vibration and noise reduction

To reduce the impact of noise and vibration emission, limit the time of operation, wear personal protective equipment.

Take the following points into account to minimize the vibration and noise exposure risks:

- Only use the product as intended by its design and these instructions.
- Ensure that the product is in good condition and well maintained.
- Use correct attachments for the product and ensure they are in good condition.
- Keep tight grip on the handles surface.
- Plan your work schedule to spread any high vibration tool use across a longer period of time.

### Residual Risk

Even if properly operating and handling this product in accordance with all the safety requirements, potential risks of injury and damage remain. Due to its construction and build, this tool may present the following hazards:

a) Electric shock from insufficient insulation. Check the device for damages and proper function before each use; if you notice damages, no longer use it. And Do not use the product when the product or your hands are damp or wet.

b) There is a risk of a short-circuit due to liquid penetrating the housing. Do not

immerse the product and the accessories in water. And make sure that no water or other liquid can enter the housing.

c) Damage to your health caused by swinging your hands and arms when operating the tool for longer periods of time or if the tool is not held or maintained properly.

### Warning!

During operating, the product generates an electromagnetic field which, under certain circumstances, may impair the functionality of active or passive medical implants. To reduce the risk of serious or lethal injuries, we recommend that persons with medical implants consult their doctor and the manufacturer of their medical implant before operating the electric tool.

### INTENDED USE

This appliance is suitable for applying paint, lacquers and glazes. The use of easily flammable, combustible paints, lacquers or thinners is strictly

## Original Instructions

prohibited. And the appliance is only for domestic use and not intended for commercial use. Any other uses or modification to the product are deemed to be improper usage and carries a significant risk of accidents. The manufacturer accepts no responsibility for damage(s) attributable to misuse.

### LIST OF MAIN PARTS




1	Trigger
2	Union nut
3	Nozzle head
4	Paint cup
5	Spray volume adjusting wheel
6	Motor unit
7	Air filter cover
8	Spray unit
9	Battery Pack(excluded)

## Original Instructions

---

### TECHNICAL SPECIFICATIONS

Product description	18V Li-ion Spray Gun
Rated voltage of battery	18V 
Tank capacity	1000ml
Water flow rate	700ml/min
Max. Viscosity	50 DIN-S
Plastic nozzle	Φ 1.8mm & 2.6mm
Sound pressure level $L_{pA}$ ( $K_{pA}=3dB(A)$ )	75.2 dB(A)
Sound power level $L_{wA}$ ( $K_{wA}=3dB(A)$ )	86.2 dB(A)
Level of vibration $a_h$ ( $K=1.5m/s^2$ )	0,640 m/s <sup>2</sup>
Battery and Charger	
Recommended battery	a)BA-1820B,Li-ion 18V d.c. 2.0Ah
	b)BA-1850B Li-ion 18V d.c. 5.0Ah
Recommended charger	1. Model : CH-1802A Input : 100-240V~ 50Hz 60W Output : 20V DC 2.3A Charging time : 140MIN
	2. Model :CH-1802B Input : 100-240V~ 50Hz 125W Output : 20VDC, 5A Charging time : 70 MIN
	3. Model :CH-1802D Input : 100-240V~ 50Hz 130W Output : 20VDC, 2.3AX2, USB×2, 5VDC MAX 2A Charging time : 140MIN

### NOISE/VIBRATION INFORMATION

Measured sound values determined according to EN 60745-1.

Wear hearing protection!

Vibration total values (triax vector sum) determined according to EN 60745-1:

The vibration emission level given in this information sheet has been measured in accordance with a standardized test given in EN60745-1 and may be used to compare one tool with another. It may be used for a preliminary assessment of exposure. The declared vibration emission level represents the main applications of the tool. However, if the tool is used for different applications, with different accessories or poorly maintained, the vibration emission may differ. This may significantly increase the exposure level over the total working period. An estimation of the level of exposure to vibration should also take into account the times when the tool is switched off or

## Original Instructions

---

when it is running but not actually doing the job. This may significantly reduce the exposure level over the total working period. Identify additional safety measures to protect the operator from the effects of vibration, such as maintaining the tool and the accessories, keeping hands warm, adjusting work patterns to avoid risk of vibration.

Vibration risk limitation suggestions:

- 1) wear glove during operation
- 2) limit operating time and shorten trigger time.

### Before using the equipment

#### Battery charger (Fig.1)

The lithium-ion battery can be charged at any time and will not develop a “memory” when charged after only a partial discharge. It is not necessary to run down the battery pack charge before recharging. Remove the battery pack from the tool when convenient for you and your job. You can “top-off” your battery pack’s charge before starting a big job or long period of use.

Due to lithium-ion’s fade-free properties, the only time it is necessary to charge the lithium-ion battery pack is when the pack has reached the end of its charge. To signal the end of charge, power to the tool will drop quickly. Charge the battery pack as needed.

Fig.1



#### a. Charging the battery

This lithium-ion battery pack is shipped partially charged. Before using it the first time, fully charge the battery pack. A fully discharged battery pack with a temperature between 5°C and 35°C will charge in about 70-140MIN(See section”Specifications”).

#### CH-1802A:

- Plug the charger adapter into power source. The green light on the charger stand will illuminate, indicating the charger is powered.
- Slide the battery all the way into the charger stand until it locks in place with a click. The red light on the charger stand will illuminate, indicating that the battery is charging.

## Original Instructions

---

- The red light will go off after charging is complete and a green light will appear.

### **CH-1802B/CH-1802D:**

See the manual of CH-1802B/CH-1802D

**NOTE: Batteries may become warm while charging. This is normal. If the battery is hot after continuous use in the tool, allow it to cool down to room temperature before charging. This will extend the life of your batteries.**

**WARNING:** Always disconnect the battery pack from the tool before any assembly, adjustments or changing accessories.

### **b. Insertion and removal of rechargeable battery (Fig.2)**

Depress the battery-release button located on the front of the battery pack to release battery pack.

Pull the battery pack out and remove it from the tool.



**Fig. 2**

### **Measuring the viscosity**

This appliance can process spray materials up to max.70 DIN/sec(viscosity).You can determine the viscosity(thickness)of the substance with the supplied measuring cup using a simplified measuring procedure.

- Fill the supplied measuring cup to the brim with the spray material.
- Remove the measuring cup from the spray material and allow the liquid to run out.
- Measure the time (in seconds) until the stream of liquid stops. This time is called "DIN seconds (DIN/sec)".
- If the value is too high, gradually thin the spray material by adding small amounts of a suitable thinning agent and mixing the liquid.
- Measure the DIN seconds again. Repeat the process until you measure a viscosity of less than 70 DIN/sec.

## Original Instructions

---




### NOTE

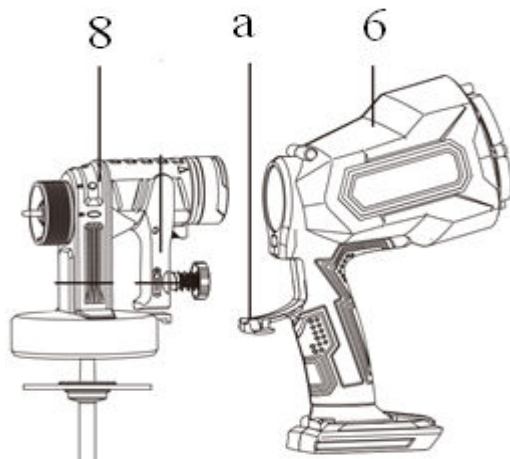
- Do not exceed the maximal viscosity of the appliance. The spray material must not be too thick. Otherwise, the appliance might clog.
- Ensure that the spray material and thinning agent are compatible. Using an unsuitable thinning agent may cause clots that clog the appliance. Never mix synthetic resin varnishes with cellulose thinners.
- To find out which thinning agent is suitable for your spray material (water, paint thinner), refer to the manufacturer's notes provided with the spray material.
- Granular products and products containing solids must not be sprayed. Their abrasive effect shortens the service life of the appliance.

### Preparing the spray surface

- Cover the area around the spray area thoroughly and over a wide area. Any surface that is not masked could become contaminated.
- Make sure that the spray surface is clean, dry and free of grease.
- Polished surfaces should be lightly sanded and the sanding dust removed.

### Assembly/disassembly

- Move the arrow mark on the spray unit to the unlocked mark  on the motor unit (6). Now turn the spray unit (4) until the arrow mark on the spray unit (8) locks into the locked mark  on the motor unit (6).
- Release the catch (a). Turn the arrow mark on the spray unit (8) to the unlocked mark  on the motor unit (6) to separate the two units.



### Operation

#### Selecting the nozzle

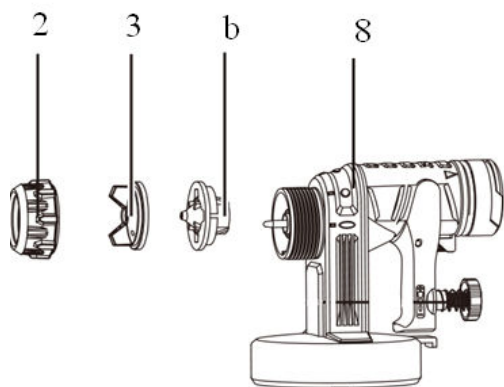
There are two nozzles, 1.8mm & 2.6mm nozzle.

- ✓ 1.8mm nozzle, used for all types of paints and lacquers
- ✓ 2.6mm nozzle, used for viscous spray materials
- ✓ Undo the union nut (2) completely and remove it from the spray unit (8) .

## Original Instructions

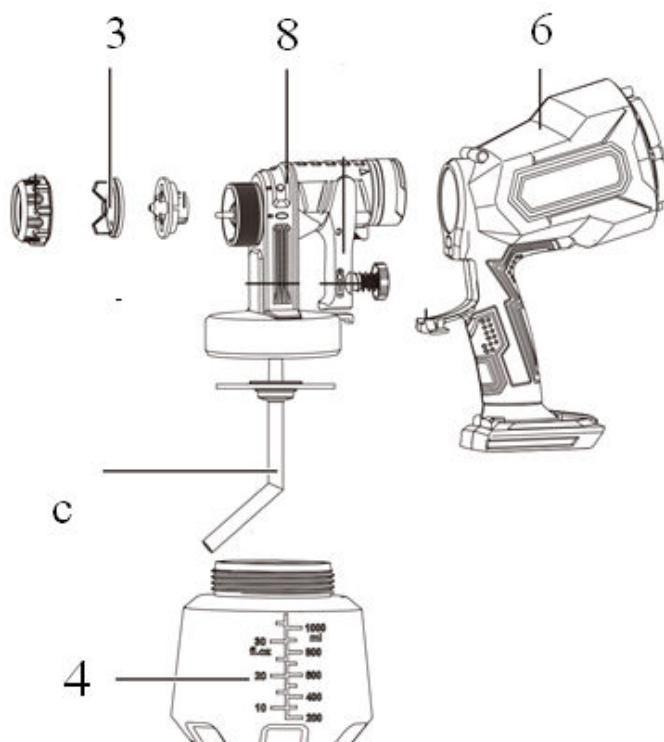
---

- ✓ Fit the desired nozzle (b) onto the nozzle head (3).
- ✓ Screw the union nut (2) back onto the spray unit (8).



## Filling with spray materials

- ✓ Unscrew the paint cup (4) from the spray unit (8) .
- ✓ To work on a horizontal object, place the riser pipe (c) in front, facing the nozzle head (3) .To work overhead, place the riser pipe (c) at the back, facing the motor unit (6) .
- ✓ Fill the paint cup (4) with the spray material and screw it firmly onto the spray unit (8).



## Switching on/off

## Working methods

Hold the spray gun at a constant distance from the object. The ideal spraying

## Original Instructions

---

distance is approx. 15 cm.

Work out the best settings by carrying out a test.

Do not switch the appliance on/off over the spray surface. Rather, start/end the spraying process approx. 10 cm from the spray surface.

### **Switching on:**

To switch on, pull the trigger (1) and keep it in.

### **Switching off:**

To stop spraying, simply release the trigger (1).

## **Adjusting the spray pattern**

### **Setting the spray rate**

Turn the spray volume adjusting wheel (5) to the desired position:


(-) = minimum spray rate; (+) = maximum spray rate


### **Selecting a jet type**

Undo the union nut (2)

Turn the protruding parts of the nozzle head (3) so that they point to the desired symbol on the spray unit (8)

The appliance has the following settings:

 Round jet

 Vertical flat jet

 Horizontal flat jet

Re-tighten the union nut (2).

Press the Trigger (1) lightly for a low speed.

Increasing the pressure increases the speed.

## **SERVICE & MAINTENANCE**

Always remove the battery from the tool before performing any adjustment or maintenance operation.

Take care not to expose this tool to the rain.

Keep the ventilation openings clear and clean the product regularly.

**Repair of the tool must only be carried out by a qualified repair technician.**

Repair or maintenance by unqualified personnel can lead to a risk of injury.

**Use only identical spare parts for repairing a tool**

### **Cleaning/replacing the air filter**

Check the air filter regularly, otherwise malfunctions may occur.

Remove the screws from the air filter cover.

Remove the air filter cover.

Remove the air filter and examine it for contamination

If necessary, shake out the air filter and clean it under running water. Leave



## Original Instructions

---

the air filter to dry.

Proceed in reverse order in order to reassemble the appliance.

### Cleaning

Avoid using solvents when cleaning plastic parts. Most plastic parts are susceptible to damage from various types of commercial solvents and may be damaged by their use. Use clean clothes to remove dirt, carbon dust, etc.

### Storing

Store the machine, operating instructions and where necessary the accessories in the original packaging. In this way you will always have all the information and parts ready to hand.

Pack the device well or use the original packaging in order to avoid transit damage.

Always keep the machine in dry place.

### Disposal



Electronic devices are recyclable waste and must not be disposed of in the household waste. At the end of its service life, dispose of the product according to the relevant statutory regulations.



Remove any rechargeable battery, if necessary, and dispose of it separately from the product.

You thus fulfil your statutory obligations and contribute to environmental protection.

Exceltools.co.uk  
Sales@exceltools.co.uk