

# **EXCEL**

## **Cordless mini chain saw 18V 30369**



### **INSTRUCTION MANUAL**

## DESCRIPTION OF THE SYMBOLS



**WARNING** – To reduce the risk of injury, user must read instruction manual. Before any use, refer to the corresponding section in this user manual.



Complies with relevant European regulations



**Li-Ion**

The crossed-out wheeled bin symbol indicates that the item should be disposed of separately from household waste. The item should be handed in for recycling in accordance with local environmental regulations for waste disposal. By separating a marked item from household waste, you will help reduce the volume of waste sent to incinerators or land-fill and minimize any potential negative impact on human health and the environment.

### On battery



Do not expose immerse the battery in or expose to water.



Do not expose battery to flame. They will explode and cause injury.



**max40°C** Do not expose the battery to excessive heat more than 40 °C. Do not charge or stock the battery where the temperature is below 0° or more than 40 °C.



Recycling device.

## Original Instructions

---

### On adapter



Read instruction manual before any use.



Class II transformer.



For indoor use only.

### GENERAL POWER TOOL SAFETY WARNINGS



**WARNING** Read all safety warnings, instructions, illustrations and specifications provided with this

**power tool.** Failure to follow all instructions listed below may result in electric shock, fire and/or serious injury.

**Save all warnings and instructions for future reference.**

The term "power tool" in the warnings refers to your mains-operated (corded) power tool or battery-operated (cordless) power tool.

#### 1. Work area safety

- a) **Keep work area clean and well lit.** Cluttered or dark areas invite accidents..
- b) **Do not operate power tools in explosive atmospheres, such as in the presence of flammable liquids, gases or dust.** Power tools create sparks which may ignite the dust or fumes.
- c) **Keep children and bystanders away while operating a power tool.** Distractions can cause you to lose control.

#### 2. Electrical safety

- a) **Power tool plugs must match the outlet. Never modify the plug in any way. Do not use any adapter plugs with earthed (grounded) power tools.** Unmodified plugs and matching outlets will reduce risk of electric shock.
- b) **Avoid body contact with earthed or grounded surfaces, such as pipes, radiators, ranges and refrigerators.** There is an increased risk of electric shock if your body is earthed or grounded.
- c) **Do not expose power tools to rain or wet conditions.** Water entering a power tool will increase the risk of electric shock.

## Original Instructions

---

- d) **Do not abuse the cord. Never use the cord for carrying, pulling or unplugging the power tool. Keep cord away from heat, oil, sharp edges or moving parts.** Damaged or entangled cords increase the risk of electric shock.
- e) **When operating a power tool outdoors, use an extension cord suitable for outdoor use.** Use of a cord suitable for outdoor use reduces the risk of electric shock.
- f) **If operating a power tool in a damp location is unavoidable, use a residual current device (RCD) protected supply.** Use of an RCD reduces the risk of electric shock.

**NOTE:** The term “residual current device (RCD)” can be replaced by the term “ground fault circuit interrupter (GFCI)” or “earth leakage circuit breaker (ELCB)”.

### 3. Personal safety

- a) **Stay alert, watch what you are doing and use common sense when operating a power tool. Do not use a power tool while you are tired or under the influence of drugs, alcohol or medication.** A moment of inattention while operating power tools may result in serious personal injury.
- b) **Use personal protective equipment. Always wear eye protection.** Protective equipment such as a dust mask, non-skid safety shoes, hard hat or hearing protection used for appropriate conditions will reduce personal injuries.
- c) **Prevent unintentional starting. Ensure the switch is in the off-position before connecting to power source and/or battery pack, picking up or carrying the tool.** Carrying power tools with your finger on the switch or energising power tools that have the switch on invites accidents.
- d) **Remove any adjusting key or wrench before turning the power tool on.** A wrench or a key left attached to a rotating part of the power tool may result in personal injury.
- e) **Do not overreach. Keep proper footing and balance at all times.** This enables better control of the power tool in unexpected situations.
- f) **Dress properly. Do not wear loose clothing or jewellery. Keep your hair and clothing away from moving parts.** Loose clothes, jewellery or long hair can be caught in moving parts.
- g) **If devices are provided for the connection of dust extraction and collection facilities, ensure these are connected and properly used.** Use of dust collection can reduce dust-related hazards.
- h) **Do not let familiarity gained from frequent use of tools allow you to become complacent and ignore tool safety principles.** A careless action can cause severe injury within a fraction of a second.

### 4. Power tool use and care

## Original Instructions

---

- a) **Do not force the power tool. Use the correct power tool for your application.** The correct power tool will do the job better and safer at the rate for which it was designed.
- b) **Do not use the power tool if the switch does not turn it on and off.** Any power tool that cannot be controlled with the switch is dangerous and must be repaired.
- c) **Disconnect the plug from the power source and/or remove the battery pack, if detachable, from the power tool before making any adjustments, changing accessories, or storing power tools.** Such preventive safety measures reduce the risk of starting the power tool accidentally.
- d) **Store idle power tools out of the reach of children and do not allow persons unfamiliar with the power tool or these instructions to operate the power tool.** Power tools are dangerous in the hands of untrained users.
- e) **Maintain power tools and accessories. Check for misalignment or binding of moving parts, breakage of parts and any other condition that may affect the power tool's operation. If damaged, have the power tool repaired before use.** Many accidents are caused by poorly maintained power tools.
- f) **Keep cutting tools sharp and clean.** Properly maintained cutting tools with sharp cutting edges are less likely to bind and are easier to control.
- g) **Use the power tool, accessories and tool bits etc. in accordance with these instructions, taking into account the working conditions and the work to be performed.** Use of the power tool for operations different from those intended could result in a hazardous situation.
- h) **Keep handles and grasping surfaces dry, clean and free from oil and grease.** Slippery handles and grasping surfaces do not allow for safe handling and control of the tool in unexpected situations.

### 5. Battery tool use and care

- a) **Recharge only with the charger specified by the manufacturer.** A charger that is suitable for one type of battery pack may create a risk of fire when used with another battery pack.
- b) **Use power tools only with specifically designated battery packs.** Use of any other battery packs may create a risk of injury and fire.
- c) **When battery pack is not in use, keep it away from other metal objects, like paper clips, coins, keys, nails, screws or other small metal objects, that can make a connection from one terminal to another.** Shorting the battery terminals together may cause burns or a fire.
- d) **Under abusive conditions, liquid may be ejected from the battery; avoid contact. If contact accidentally occurs, flush with water. If**

## Original Instructions

---

**liquid contacts eyes, additionally seek medical help.** Liquid ejected from the battery may cause irritation or burns.

- e) **Do not use a battery pack or tool that is damaged or modified.** Damaged or modified batteries may exhibit unpredictable behaviour resulting in fire, explosion or risk of injury.
- f) **Do not expose a battery pack or tool to fire or excessive temperature.** Exposure to fire or temperature above 130 °C may cause explosion.  
**NOTE** The temperature „130 °C“ can be replaced by the temperature „265 °F“.
- g) **Follow all charging instructions and do not charge the battery pack or tool outside the temperature range specified in the instructions.** Charging improperly or at temperatures outside the specified range may damage the battery and increase the risk of fire.

### 6. Service

- a) **Have your power tool serviced by a qualified repair person using only identical replacement parts.** This will ensure that the safety of the power tool is maintained.
- b) **Never service damaged battery packs.** Service of battery packs should only be performed by the manufacturer or authorized service providers.

## SAFETY INSTRUCTIONS FOR CHAIN SAW

Keep all parts of the body away from the saw chain when the chainsaw is operating.

Before you start the chain saw, make sure the saw chain is not contacting anything. A moment of inattention while operating chain saws may cause an entanglement of your clothing or body with the saw chain.

Always hold a chainsaw with your right hand on the rear handle and your left hand on the front handle. Holding the chainsaw with a reversed hand configuration increases the risk of personal injury and should never be done.

Hold the chain saw by insulated gripping surfaces only because the saw chain may contact hidden wiring or its own cord. Saw chains contacting a live wire may make exposed metal parts of the chainsaw live and could give the operator a shock.

Wear safety glasses and hearing protection. Further protective equipment for head, hands, legs, and feet must be worn. Adequate protective clothing will reduce personal injury by flying debris or accidental contact with the saw chain.

Do not operate a chainsaw in a tree. Operation of a chainsaw while up a tree may result in personal injury.

## Original Instructions

---

Always keep proper footing and operate the chainsaw only when standing on fixed, secure and level surface. Slippery or unstable surfaces such as ladders, may cause a loss of balance or control of the chainsaw.

When cutting a limb that is under tension, be alert for spring-back. When the tension in the wood fibers is released the limb under tension may strike the operator and/or throw the chainsaw out of control.

Use extreme caution when cutting brush and saplings. The slender material may catch the chainsaw and be whipped toward you or pull you off balance. When transporting or storing the chainsaw always fit the guard bar cover. Proper handling of the chainsaw will reduce the likelihood of accidental contact with the moving saw chain.

Always use two hands when operating the chainsaw.

Contact of the guide bar tip with any object should be avoided. Tip contact may cause the guide bar to move suddenly upward and backward, which may cause serious injury.

Follow instructions for lubricating, chain tensioning and changing accessories. Improperly tensioned or lubricated chain may either break or increase chance for kickback.

Keep handles dry, clean, and free from oil and grease. Greasy, oily handles are slippery causing loss of control.

Cut wood only. Do not use chainsaw for purposes not intended. For example, do not use chainsaw for cutting plastic, masonry, or non-wood building materials. Use of the chainsaw for operations different than intended could result in a hazardous situation.

Wear safety glasses and hearing protection. Further protective equipment for head, hands, legs, and feet is recommended. Adequate protective clothing will reduce personal injury by flying debris or accidental contact with the saw chain.

**Do not start the pruning saw with the chain cover installed on it.** Starting the pruning saw with the chain cover installed on it may cause the chain cover to be thrown off forward resulting in personal injury and damage to objects around the operator.

Before starting work, check that the pruning saw is in proper working order and that its condition complies with the safety regulations. Check that:

- The bar and the sprocket cover are fitted correctly.
- The chain has been sharpened and tensioned in accordance with the instructions provided.

### **CAUSES AND OPERATOR PREVENTION OF KICKBACK**

**WARNING:** Kickback may occur when the moving chain contacts with an object at the upper portion of the tip of the guide bar or when the wood closes in and pinches the saw chain in the cut. Contact at the upper portion of the tip of the guide bar can cause the chain to dig into the object and stop the chain for an instant. The result is a lightning fast reverse reaction which kicks the

## Original Instructions

---

guide bar up and back toward the operator. If the saw chain is pinched along the top of the guide bar, the guide bar can be driven rapidly back toward the operator. Either of these reactions can cause loss of saw control which can result in serious injury. Do not rely exclusively upon the safety devices built into the saw. As a chainsaw user, you should take several steps to keep your cutting jobs free from accident or injury.

- Maintain a firm grip, with thumbs and fingers encircling the chainsaw handles, with both hands on the saw and position your body and arm to allow you to resist kickback forces. Kickback forces can be controlled by the operator if proper precautions are taken. Do not let go of the chainsaw.
- Do not overreach and do not cut above shoulder height. This helps prevent unintended tip contact and enables better control of the chainsaw in unexpected situations.
- Only use replacement bars and chains specified by the manufacturer. Incorrect replacement bars and chains may cause breakage and/or kickback.
- Follow the sharpening and maintenance instructions for the saw chain. Decreasing depth gauge height can lead to increased kickback.
- With a basic understanding of kickback, you can reduce or eliminate the element of surprise. Sudden surprise contributes to accidents.

### **VIBRATION AND NOISE REDUCTION**

To reduce the influence of vibration and noise, limit working hours and wear personal protective equipment. Observe the following points to minimize vibration and noise exposure:

1. Use the tool only in accordance with its design and instructions.
2. Ensure that the product is in good condition and well maintained
3. Use the correct accessories and ensure that they are in good condition.
4. Hold the tool firmly but not tightly by the handles provided.
5. Maintain the product according to these instructions and keep it lubricated.

## **EXTRA SAFETY REGULATIONS CONCERNING**

### **BATTERY**

- To ensure the longest battery life and best battery performance, always charge the battery when the temperature is between 18-24°C. Do not charge the battery pack when the temperature is below 0°C, or above 40°C. This is important. Failure to observe this safety rule could cause serious damage to the battery pack.
- Do not incinerate the battery pack even if it is seriously damaged or can no longer hold a charge. The battery pack can explode in a fire.
- A small leakage of liquid from the battery pack may occur under extreme usage or temperature. This does not necessarily indicate a failure of the battery pack. However, if the outer seal is broken and this leakage comes



## Original Instructions

---

into contact with your skin:

- ✓ Wash the affected area quickly with soap and water.
- ✓ Flush your eyes with clean water for a minimum of 10 minutes and seek immediate medical attention.
- Never attempt to open the battery pack for any reason. If the plastic housing of the battery pack breaks open or cracks, immediately discontinue its use and do not recharge it.
- Do not store or carry a spare battery pack in a pocket or toolbox or any other place where it may come into contact with metal objects. The battery pack may be short circuited causing damage to the battery pack, burns or a fire. If storing or disposing the battery pack, cover the terminals with a heavy insulation tape to ensure short circuit cannot occur. Batteries, when stored for a long period of time, will discharge.
- Do not store or use the tool and battery pack in locations where the temperature may reach or exceed 40°C such as alongside sheds or metal structures in the summer.
- Allow the battery pack to cool down after charging. Do not place it in a hot environment such as a metal shed or open trailer left in the sun.
- Only charge the battery with the charger supplied.
- Do not place the battery near a fire or in a place where the temperature is high.
- Do not immerse the tool in water or any other liquid. This can damage the battery prematurely.
- When transporting batteries, make sure their contacts are protected and properly insulated materials that may come into contact with them and cause a short circuit.
- Store them in a cool, dry place, away from direct sunlight and excessively cold or hot temperatures.
- After prolonged period of disuse of the battery, recharge it before using it. The battery must be disposed of in a secure manner.


## **EXTRA SAFETY REGULATIONS CONCERNING**

### **BATTERY CHARGER**

- This appliance can be used by children aged from 8 years and above and persons with reduced physical, sensory or mental capabilities or lack of experience and knowledge if they have been given supervision or instruction concerning use of the appliance in a safe way and understand the hazards involved.  
Children shall not play with the appliance.  
Cleaning and user maintenance shall not be made by children without supervision.
- For indoor use only

## Original Instructions

---

- Warning do not recharge non-rechargeable batteries.
- The external flexible cable of this transformer cannot be replaced; if the cord is damaged, discard the transformer
- Before using the charger, read all the instructions and cautionary markings on the charger and battery pack as well as the instructions on the battery pack.
- Only charge your battery pack indoors as the charger is designed for indoor use only.
- **DANGER:** If the battery pack is cracked or damaged in any other way, do not insert it in the charging base. There is a danger of electric shock or electrocution.
-  **WARNING:** Do not allow any liquid to come into contact with the charger. There is a danger of electric shock.
- The charger is not intended for any use other than charging the exact type of rechargeable battery pack as supplied with the charger. Any other use may result in the risk of fire, electric shock or electrocution.
- The charger and battery pack supplied with it are specifically designed to work together. Do not attempt to charge the battery pack with any other charger than the one supplied.
- Do not place any object on top of the charger as it could cause overheating. Do not place the charger near any heat source.
- Pull on the charger to disconnect it from the power source. Do not pull on the lead.
- Make sure that the charger lead is positioned where it will not be stepped on, tripped over or otherwise subjected to damage or stress.
- Do not use an extension cord unless it is absolutely necessary. The use of an improper extension cord could cause the risk of fire, electric shock or electrocution.
- Do not use the charger if it has been subjected to a heavy knock, dropped or otherwise damaged in any way. Take the charger to an authorized service centre for a check or repair.
- Do not disassemble the charger. Take it to an authorized service centre when service or repair is required. Incorrect re-assembly may result in the risk of fire, electric shock or electrocution.
- To reduce the risk of an electric shock, unplug the charger from the power supply before attempting to clean it. Removing the battery pack alone does not reduce the risk.
- The charger is designed for use from a standard household electrical supply. Do not attempt to connect the charger to a supply with a different voltage.
- Do not expose charger to water, rain, or snow.
- Never attempt to connect two chargers together.
- Never insert objects into the ventilation holes of the charger. This can

## Original Instructions

---

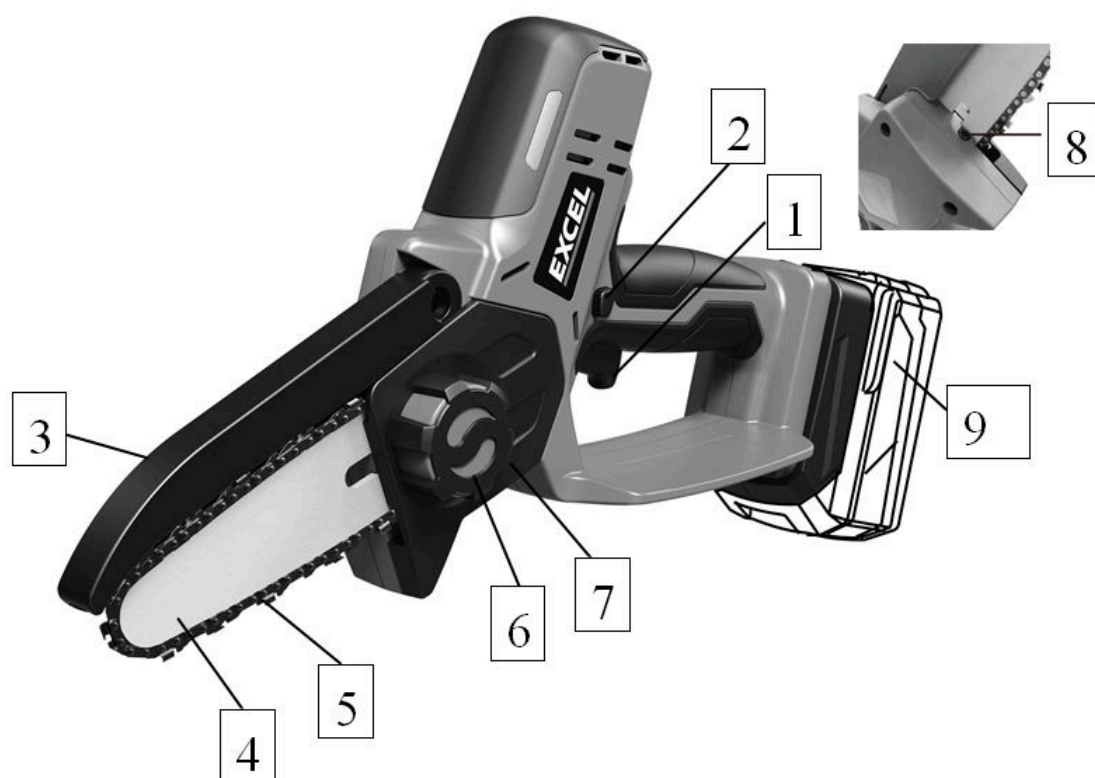
cause electric shock or damage the charger.

- Unplug the charger from the outlet before cleaning. This reduces the risk of electric shock. Remove the battery will not reduce this risk.
- Never charge a battery already fully charged.

### INTENDED USE

The pruning saw is intended for cutting only wood and branches up to a diameter of 3.15 inches ( 8cm).

### LIST OF MAIN PARTS



1	ON/OFF switch	2	Safety lock off button
3	Bar and chain safety guard	4	Guide bar
5	Saw chain	6	Bar retention knob
7	Sprocket cover	8	Chain tensioning screw
9	Battery Pack(excluded)		

### TECHNICAL SPECIFICATIONS

Product description	18V Li-ion Mini Chain Saw
Rated voltage of battery	18V

## Original Instructions

Chain speed	4.8m/s
Guide bar length	100mm (4")
Max cutting length	95mm
Sound pressure level $L_{pA}$ ( $K_{pA}=3dB(A)$ )	78 dB
Sound power level $L_{wA}$ ( $K_{wA}=3dB(A)$ )	89 dB
Level of vibration $a_h$ ( $K=1.5m/s^2$ )	3,425m/s <sup>2</sup>
Battery and Charger	
Recommended battery	a)BA-1820B,Li-ion 18V d.c. 2.0Ah
	b)BA-1850B, Li-ion 18V d.c. 5.0Ah
Recommended charger	1. Model : CH-1802A Input : 100-240V~ 50Hz 60W Output : 20V DC 2.3A Charging time : a)60MIN b)140MIN
	2. Model :CH-1802B Input : 100-240V~ 50Hz 125W Output : 20VDC, 5A Charging time : a)30MIN b)70MIN
	3. Model :CH-1802D Input : 100-240V~ 50Hz 130W Output : 20VDC, 2.3AX2, USB × 2, 5VDC MAX 2A Charging time : a)60MIN b)140MIN

### NOISE/VIBRATION INFORMATION

Measured sound values determined according to EN 62841.

#### **Wear hearing protection!**

Vibration total values (triax vector sum) determined according to EN 62841: The vibration emission level given in this information sheet has been measured in accordance with a standardized test given in EN 62841 and may be used to compare one tool with another. It may be used for a preliminary assessment of exposure. The declared vibration emission level represents the main applications of the tool. However if the tool is used for different applications, with different accessories or poorly maintained, the vibration emission may differ. This may significantly increase the exposure level over the total working period. An estimation of the level of exposure to vibration should also take into account the times when the tool is switched off or when it is running but not actually doing the job. This may significantly reduce the exposure level over the total working period. Identify additional safety measures to protect the operator from the effects of vibration such as: maintain the tool and the accessories, keep the hands warm, organization of work

patterns avoid vibration risk.

Vibration risk limitation suggestions:

- 1) wear glove during operation
- 2) limit operating time and shorten trigger time.

### Before using the equipment

#### Battery charger (Fig.1)

The lithium-ion battery can be charged at any time and will not develop a “memory” when charged after only a partial discharge. It is not necessary to run down the battery pack charge before recharging. Remove the battery pack from the tool when convenient for you and your job. You can “top-off” your battery pack’s charge before starting a big job or long period of use.

Due to lithium-ion’s fade-free properties, the only time it is necessary to charge the lithium-ion battery pack is when the pack has reached the end of its charge. To signal the end of charge, power to the tool will drop quickly. Charge the battery pack as needed.

**Fig.1**



CH-1802A

CH-1802B

CH-1802D

#### a. Charging the battery

This lithium-ion battery pack is shipped partially charged. Before using it the first time, fully charge the battery pack. A fully discharged battery pack with a temperature between 5°C and 35°C will charge in about 30-140MIN(See section”Specifications”).

#### **CH-1802A:**

- Plug the charger adapter into power source. The green light on the charger stand will illuminate, indicating the charger is powered.
- Slide the battery all the way into the charger stand until it locks in place with a click. The red light on the charger stand will illuminate, indicating that the battery is charging.
- The red light will go off after charging is complete and a green light will appear.

#### **CH-1802B/CH-1802D:**

See the manual of CH-1802B/CH-1802D

## Original Instructions

**NOTE:** Batteries may become warm while charging. This is normal. If the battery is hot after continuous use in the tool, allow it to cool down to room temperature before charging. This will extend the life of your batteries.

**WARNING:** Always disconnect the battery pack from the tool before any assembly, adjustments or changing accessories.

### **b. Insertion and removal of rechargeable battery (Fig.2)**

Depress the battery-release button located on the front of the battery pack to release battery pack.

Pull the battery pack out and remove it from the tool.



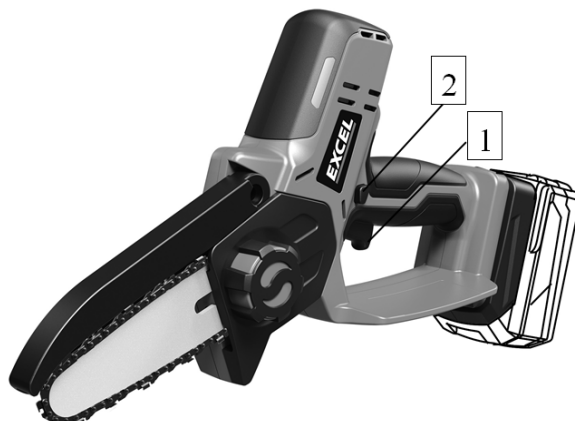
## OPERATION

The saw chain is equipped with both a lock-off and trigger switch. To turn the saw chain ON:

1. Press the lock-off switch(2).
2. While continuing to press the lock-off switch, squeeze the trigger switch(1).
3. When the saw starts, release the lock-off switch while continuing to squeeze the trigger. The saw chain will continue to run.

To turn the saw OFF, release the trigger switch.

**Note:** To restart the saw, press the lock-off switch and squeeze the trigger switch.



## Original Instructions

---

### Checking the chain brake

Run the chain saw then release the switch trigger completely. The saw chain must come to a standstill within one second.

**WARNING:** Hold the chain saw firmly when running the tool to check the brake. The bar and the chain must not be in contact with any object.

**WARNING:** If the saw chain does not stop within one second during this test, stop using the chain saw and consult Customer Service.

### REMOVING OR INSTALLING SAW CHAIN

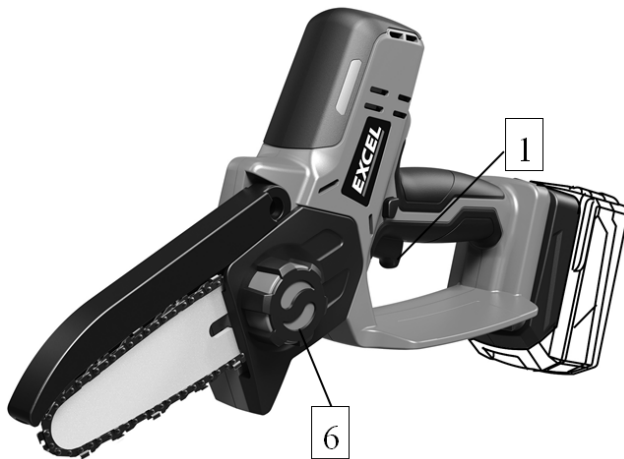
**WARNING:** Cutting edges on chain are sharp. Always use protective gloves when handling the chain.

**WARNING:** The saw chain and guide bar are still hot just after the operation. Let them cool down enough before carrying out any work on the tool.

**WARNING:** Carry out the procedure of installing or removing saw chain in a clean place free from sawdust and the like.

To remove the saw chain, perform the following steps:

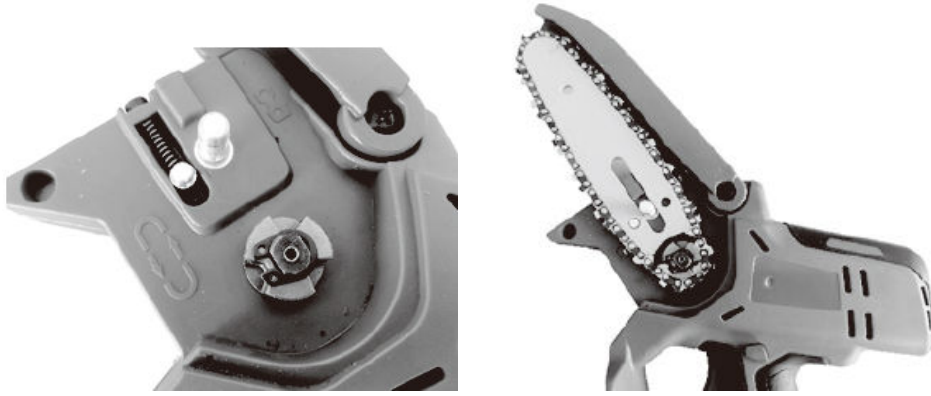
1. Remove the battery.
2. Release the trigger (1).
3. Rotate the knob (6) on the chain plate counterclockwise, and then loosen the saw chain.



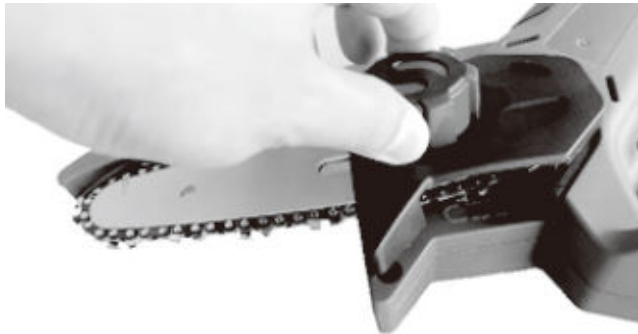
4. Remove the sprocket cover then remove the saw chain and guide bar from the chain saw body.

To install the saw chain, perform the following steps:

- (1) Check the direction of the saw chain. Match the direction of the saw chain with that of the mark on the chain saw body.
- (2) Fit one end of the saw chain on the top of the guide bar.
- (3) Fit the other end of the saw chain around the sprocket, then attach the guide bar to the chain saw body, aligning the hole on the guide bar with the pin on the chain saw body.



5. Insert the protrusion on the sprocket cover to the chain saw body, and then close the cover so that the bolt and pins on the chain saw body meet their counterparts on the cover.



(1) Tighten the knob to secure the sprocket cover, and then loosen it slightly for tension adjustment. **Do not fully tighten the bar retaining knob until the chain tension has been adjusted.**

### ADJUSTING SAW CHAIN TENSION

**WARNING:** The saw chain is not yet tensioned.

**NOTE:** New saw chains will stretch. Check the chain tension frequently when first used and tighten when the chain becomes loose around the guide bar.

**WARNING:** Maintain proper chain tension always.

A loose chain will increase the risk of kickback. A loose chain may jump out of guide bar groove. This may injure the operator and damage the chain. A loose chain will cause chain, bar, and sprocket to wear rapidly.

**Do not tighten the saw chain too much.** Excessively high tension of saw chain may cause breakage of saw chain, wear of the guide bar and breakage of the adjusting dial.

**For safety and to reduce wear, chain tension needs to be verified and adjusted regularly or after 10 minutes of continued use, to compensate for changes in wear and temperature.**

(1) Place the pruning saw on any suitable flat surface.

(2) Loosen the bar retaining knob a bit to loosen the sprocket cover slightly.

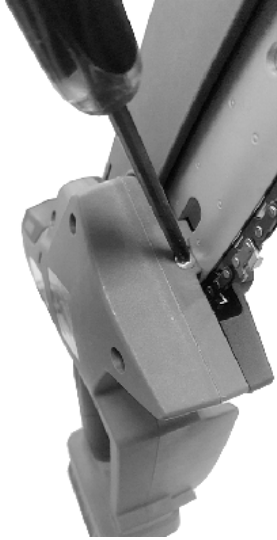


## Original Instructions

---

(3) Lift-up the guide bar tip slightly and adjust the chain tension. Turn the adjusting screw clockwise to tighten, turn it counterclockwise to loosen. Tighten the saw chain until the lower side of the saw chain fits in the guide bar rail as illustrated, or until the chain can be lifted off the guide bar and the driveline is within the rail of the guide bar.

**NOTE:** The chain should rotate freely and be free of kinks.



### LUBRICATING THE CHAIN

**NOTE:** Chain life and cutting capacity depend on optimum lubrication. Therefore, the chain should be oiled before operation.

**IMPORTANT:** It is important to use bar and chain lubricant that is formulated to perform over a wide temperature range with no dilution required. Do not use dirty, used or otherwise contaminated oil. Damage may occur to the bar or chain.

1. Switch off the pruning saw and remove the battery.
2. Place the pruning saw on a level surface with the sprocket cover facing up.
3. Clean the guide bar and saw chain with a soft brush or solvent.
4. Apply multifunctional oil in area between the guide bar and saw chain.
5. The frequency of lubrication is dependent on the frequency of use. Initially, if adequate oil has been applied to the saw chain, the oil will splatter on the wood that is being cut.

### WORKING WITH THE CORDLESS PRUNING SAW

**WARNING:** The first time user should, as a minimum practice, do cutting logs on a sawhorse or cradle.

**WARNING:** Secure round pieces against rotation.

**WARNING:** Keep all parts of the body away from the saw chain when the motor is operating.

**WARNING:** Hold the pruning saw firmly when the motor is running.

**WARNING:** Do not overreach. Always keep proper footing and balance.

**NOTE:** Never toss or drop the tool.

## Original Instructions

---

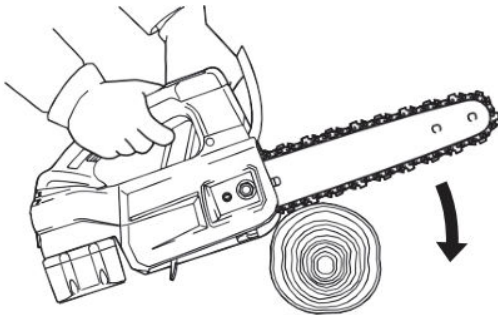
**NOTE:** Do not cover the vents of the tool.

### PRUNING TREES

Bring the pruning saw body into contact with the branch to be cut before switching on. Otherwise, it may cause the guide bar to wobble, resulting in injury to operator. Saw the wood to be cut by just moving it down by using the weight of the pruning saw.

If you cannot cut the timber right through with a single stroke:

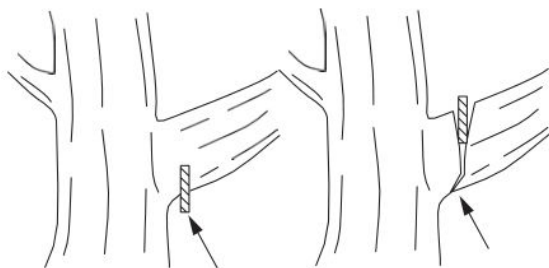
Apply light pressure to the handle and continue sawing and draw the pruning saw back a little.



When cutting thick branches, first make a shallow undercut and then make the finish cut from the top.



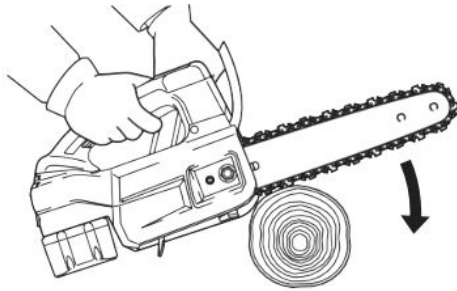
If you try to cut off thick branches from the bottom, the branch may close in and pinch the saw chain in the cut. If you try to cut off thick branches from the top without a shallow undercut, the branch may splinter.



### BUCKING

1. Rest the chain saw body on the wood to be cut.

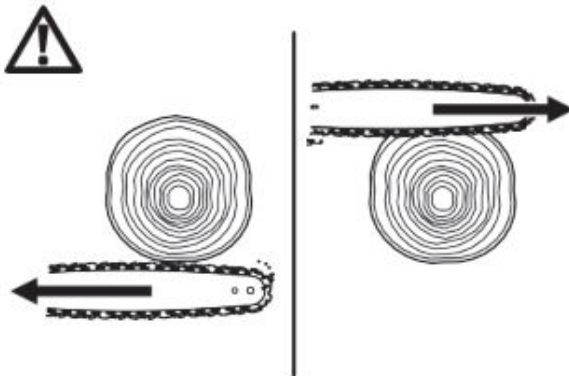
## Original Instructions



- (1) With the saw chain running, saw into the wood.
- (2) Apply light pressure to the top of the machine, continue cutting, and loosen the saw slightly.

**NOTE:**When making several cuts, switch the chain saw off between cuts.

**WARNING:**If the upper edge of the bar is used for cutting, the pruning saw may be deflected in your direction if the chain becomes trapped. For this reason, cut with the lower edge, so that the saw will be deflected away from your body.



## SERVICE & MAINTENANCE

Always remove the battery from the tool before performing any adjustment or maintenance operation.

Take care not to expose this tool to the rain.

Keep the ventilation openings clear and clean the product regularly.

**Repair of the tool must only be carried out by a qualified repair technician.**

Repair or maintenance by unqualified personnel can lead to a risk of injury.

**Use only identical spare parts for repairing a tool**

### Lubrication

All the bearings in this tool are lubricated with sufficient amount of high-grade lubricant for the life of the unit under normal conditions. Therefore, no further lubrication is required.

### Cleaning

Avoid using solvents when cleaning plastic parts. Most plastic parts are

## Original Instructions

---

susceptible to damage from various types of commercial solvents and may be damaged by their use. Use clean clothes to remove dirt, carbon dust, etc.

### Storing

Store the machine, operating instructions and where necessary the accessories in the original packaging. In this way you will always have all the information and parts ready to hand.

Pack the device well or use the original packaging in order to avoid transit damage.

Always keep the machine in dry place.

### Disposal



Electronic devices are recyclable waste and must not be disposed of in the household waste. At the end of its service life, dispose of the product according to the relevant statutory regulations.



Remove any rechargeable battery, if necessary, and dispose of it separately from the product.

You thus fulfil your statutory obligations and contribute to environmental protection.

## Original Instructions

---

Exceltools.co.uk  
Sales@exceltools.co.uk