

EXCEL

SKU - 31167

OPERATING INSTRUCTIONS



40" TOWER FAN TOUCH ENABLED CONTROLS
3 SPEED SETTINGS



EN Assembly - Use -
Maintenance Manual

Exceltools.co.uk

1. Explanation of symbols



Read the user manual.



The GS Listed Mark is proof that the product has been independently tested and meets the applicable published standard.



This appliance conforms to relevant directives of The European community.



Alternating current



2. General Safety Instructions

Read this instruction manual thoroughly before using the appliance and save it for future reference and if necessary pass the instruction manual on to a third party.

WARNING: When using electrical appliance, basic safety precautions should always be followed to reduce the risk of fire, electrical shock and personal injury.

1) General

Check if the electrical specifications of this appliance are compatible with your installation.

This appliance is not intended for use by persons (including children) with reduced physical, sensory or mental capabilities, or lack of experience and knowledge, unless they have been given supervision or instruction concerning use of the appliance by a person responsible for their safety.

This appliance can be used by children aged from 8 years and above and persons with reduced physical, sensory or mental capabilities or lack of experience and knowledge if they have been given supervision or instruction concerning use of the appliance in a safe way and understand the hazards involved. Children shall not play with the appliance. Cleaning and user maintenance shall not be made by children without supervision.

To protect against electrical hazard, do not immerse in water or other liquids. Do not use near water.

This appliance is for indoor use only.

Do not place objects on top of the unit.

Do not unplug the unit if your hands are wet, electrical shock could occur.

Do not carry the appliance while it is operating.

Place it on a secure and level area. Keep out of reach of children to prevent any accident.

Unauthorized use and technical modifications to the appliance can lead to danger to life and health.

Do not push any object into the appliance. Do not disassemble the appliance.

The appliance shall be disconnected from its power source during service and when replacing parts.

This instruction also be available in an alternative website: www.techxin.com.cn

2) Electrical safety

If the supply cord is damaged, it must be replaced by the manufacturer, its service agent or similarly qualified persons in order to avoid a hazard.

3. Specific Safety Rules

Ensure that the fan is disconnected from the supply mains before cleaning.

4. Environmental protection



CAUTION !

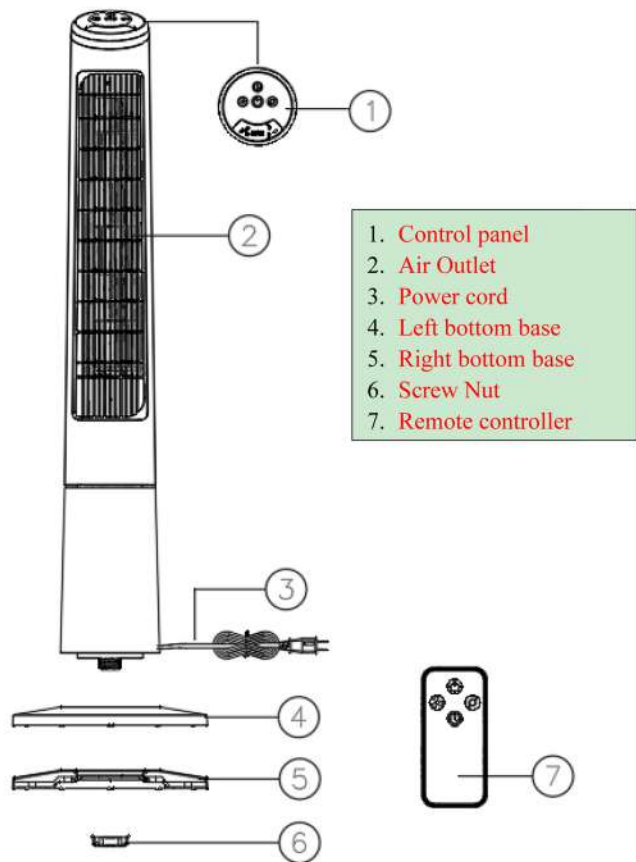
Electrical products must not be thrown out with domestic waste. They must be taken to a communal collecting point for environmentally friendly disposal in accordance with local regulations. Contact your local authorities or stockiest for advice on recycling. The packaging material is recyclable. Dispose of the packaging in an environmentally friendly manner and make it available for the recyclable material collection-service.

5. Appliance specifications

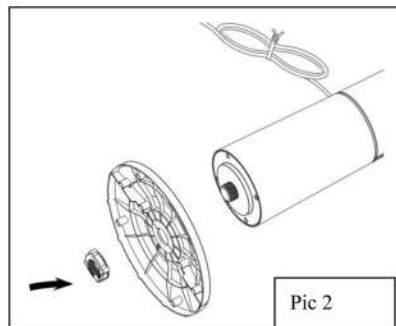
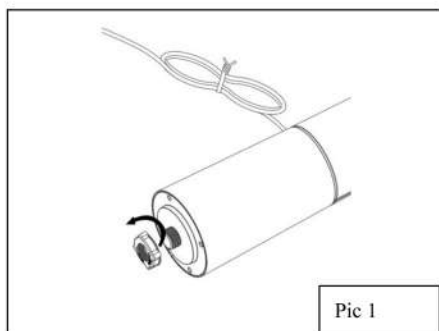
TECHNICAL CHARACTERISTICS	
Rated voltage	220-240V
Rated frequency	50-60Hz
Rated wattage	45W
Maximum fan flow rate	*** m ³ /min
Fan sound power level	***dB(A)
Service value	*** (m ³ /min)/W

6. Installation /Assembly/ Parts Identification / Drawings

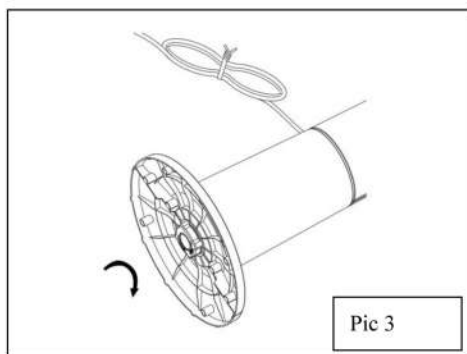
1) Parts Identification:



2) Assembly:



- Unscrew the lock nut from the machine body. (pic1)
- Place the chassis into the fuselage. (pic 2)






- Tighten the lock nut. (pic3)

7. Operating instructions / Drawings



After you connect to the power, the fan is ready to use.

The first time you connect to the power, the buzzer will sound Bi once, then the unit will enter into the standby mode. At this time, other buttons are invalid except the ON/Off button.

- 1.ON/Off:**  press it first time, the fan will run at low speed, press it second time, the fan will shut off.
- 2.SPEED:**  press Speed key will cycle the fan speed through 3-2-1 and then back to 1.
- 3.Swing:**  Press the button, the unit will automatically swing from left to right.



4.Timer: Press Timer button Sets the running time required within a range of 1-12 hours.

8. Maintenance / Cleaning

Disconnect from mains before maintenance or cleaning.

Use only a damp cloth to clean the enclosure.

Body: Clean it with soft cloth or soft thin paper. If the dust is uneasy to wipe away, rub it with soap water. Don't use gasoline, diluents and other solvents.

Wind wheel: Don't dismantle the unit to clean the wind.

(Warning : unplug the fan before cleaning.)

9. Other

Have your product repaired by a qualified person

This electric product is in accordance with the relevant safety requirements. Repairs should only be carried out by qualified persons using original spare parts; otherwise this may result in considerable danger to the user.

Please contact the store which you bought the product for after sale services if any.

EXCEL

CONTACT US:

Tools4Trade Ltd.
6 Fitzhamon Court,
Bradwell Wolverton,
Milton Keynes, MK12 6LB

PHONE:

01908 969966

Email:

sales@tools4trade.co.uk

Exceltools.co.uk