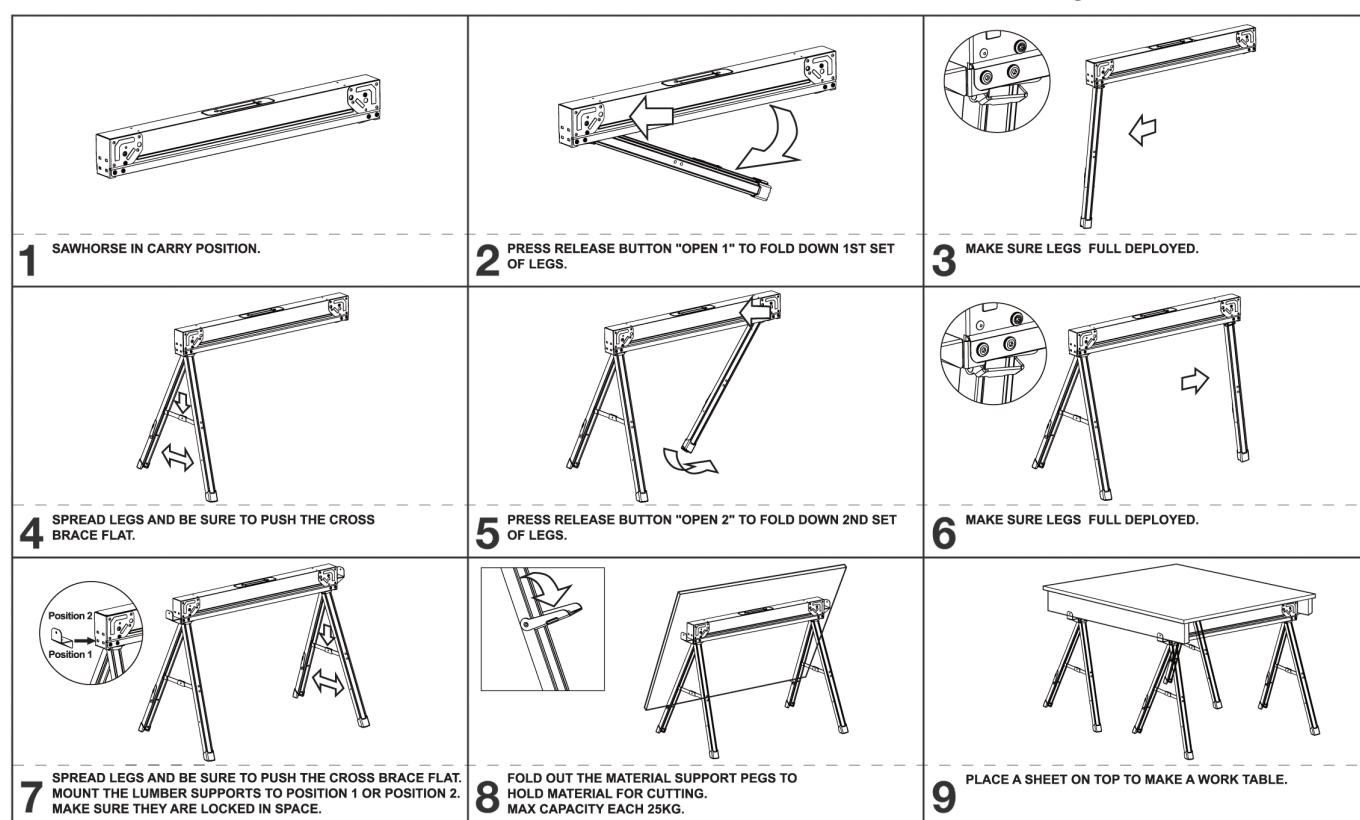


size:210x285mm

EXCEL

SKU: 8502

HEAVY DUTY STEEL SAWHORSE ADJUSTABLE LEGS TWIN PACK



WARNING! TO REDUCE THE RISK OF PERSONAL INJURY, READ AND UNDERSTAND THE INSTRUCTIONS. SAWHORSE LEGS MUST BE FULLY OPEN WITH CROSS BRACE LOCKED DOWN. DO NOT STAND ON SAWHORSE. DO NOT OVERLOAD. MAXIMUM CAPACITY 500 KG. USE ONLY ON A FLAT, DRY, HARD AND LEVEL SURFACE.

SAFE OPERATION AND USE OF THIS SAWHORSE

- 1** When lifting the sawhorse use proper lifting techniques to avoid personal injury.
- 2** Ensure work area is well lighted while working.
- 3** Ensure saw horse is standing on a level surface that is clear, dry and free of debris.
- 4** Ensure all 4 legs have solid contact with the floor. If the saw horse is not positioned level and straight, loads placed upon it could fall, potentially causing damage to the item(s) loaded on it, and possible severe personal injury or death.
- 5** Ensure the load placed on any sawhorse does not exceed the applicable Safe Working Load Rating (500kg). Overloading can lead to failure of the sawhorse, potentially causing damage to the item(s) loaded on it, and possible severe personal injury or death.
- 6** Never stack sawhorses to obtain extra height.

FOR YOUR SAFETY, PLEASE ENSURE YOU READ THESE INSTRUCTIONS CAREFULLY BEFORE USE, AND KEEP THESE INSTRUCTIONS IN THE WORK SPACE WHERE THE SAWHORSE WILL BE USED AT ALL TIMES.

Exceltools.co.uk