

size:14.5x18.8cm

Owner's Manual

EXCEL

MITER SAW STAND

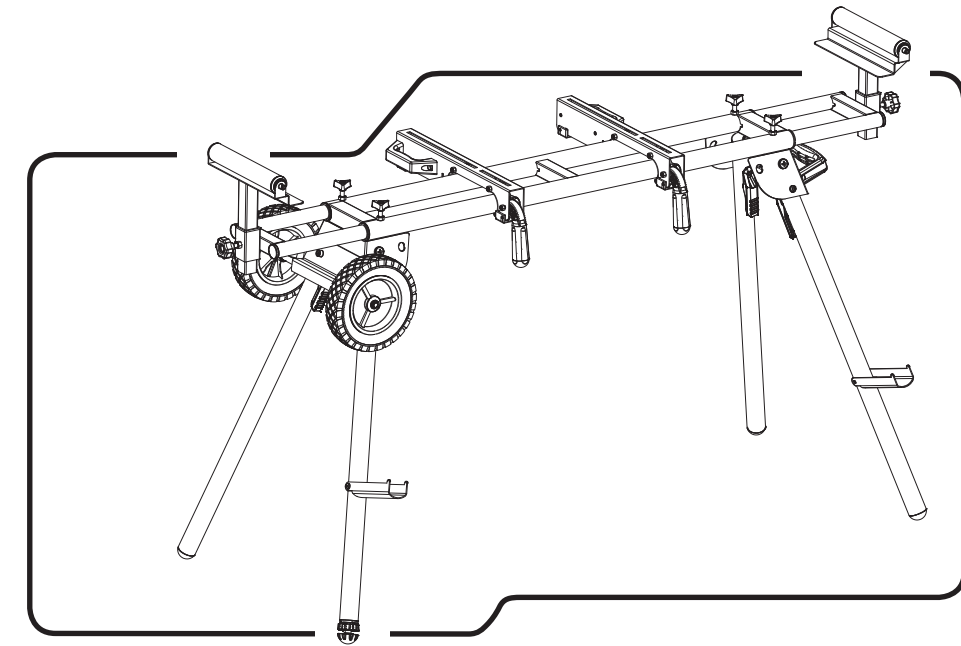


TABLE OF CONTENTS

SECTION	PAGE
SAFETY RULES	1
ASSEMBLY	2
OPERATIONS	4
MAINTENANCE	5
PARTS ILLUSTRATION & LIST	6

PRODUCT SPECIFICATIONS

Height	787 mm
Extended Width	2013 mm
Maximum Load Capacity	150 kg
Net Weight	18 kg
Gross Weight	19 kg

OPERATIONS

Roller Bars/Extension Bars Adjustment
Material Supports
Leveling

MAINTENANCE

General Maintenance

PARTS ILLUSTRATION & LIST

SAFETY RULES

WARNING
For your own safety, read all of the rules and precautions before operating tool.

WARNING
Always follow proper operating procedures as defined in this manual even if you are familiar with use of this miter saw stand or any tool used with this stand. Remember that being careless for even a fraction of a second can result in severe personal injury.

CAUTION
Do not modify or use this stand for any application other than that for which it was designed.

ELECTRICAL SAFETY

- Power tool plugs must match the outlet. Never modify the plug in any way. Do not use any adapter plugs with grounded power tools. Unmodified plugs and matching outlets will reduce the risk of electric shock.
- Avoid body contact with grounded surfaces, such as pipes, radiators, ranges, and refrigerators. There is an increased risk of electric shock if your body is grounded.
- Do not expose power tools to rain or wet conditions. Water entering a power tool will increase the risk of electric shock.
- Do not abuse the cord. Never use the cord for carrying, pulling, or unplugging the power tool. Keep the cord away from heat, oil, sharp edges, or moving parts. Damaged or entangled cords increase the risk of electric shock.
- When operating a power tool outdoors, use an extension cord suitable for outdoor use. Use of a cord suitable for outdoor use reduces the risk of electric shock. If operating a power tool in a damp location is unavoidable, use a ground fault circuit interrupter (GFCI) protected supply. Use of a GFCI reduces the risk of electric shock.

CAUTION
Think safety! Safety is a combination of operator common sense and alertness at all times when tool is being used.

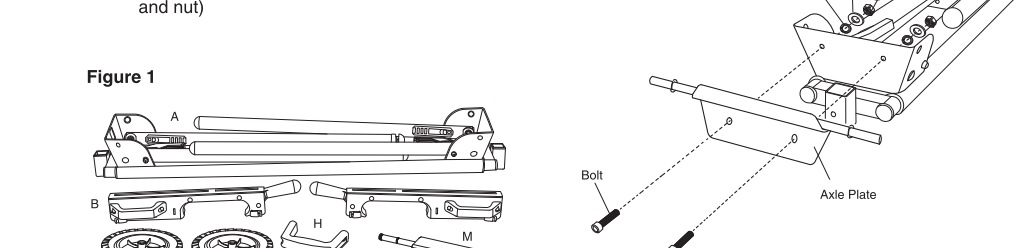
WARNING
Do not attempt to operate tool until it is completely assembled according to the instructions.

SAVE ALL WARNINGS AND INSTRUCTIONS FOR FUTURE REFERENCE

ASSEMBLY

UNPACKING
Refer to Figure 1
Check for shipping damage. Check immediately whether all parts and accessories are included.

ITEM	DESCRIPTION	QTY
A	Miter Saw Stand	1
B	Quick Release Mounting Brackets	2
C	Roller Bars	2
D	Large Locking Knobs (roller bars)	2
E	Small Locking Knobs (extension bar)	4
F	Wheels	2
G	Retaining Rings (wheels)	2
H	Handle	1
I	Bolt (For handle and axle plate)	4
J	Flat Washer (For handle and axle plate)	4
K	Lock Washer (For handle and axle plate)	4
L	Nut (For handle and axle plate)	4
M	Axle Plate	1
N	Miter Saw Mounting Hardware (mounting bolt, washer, lock washers and nut)	4

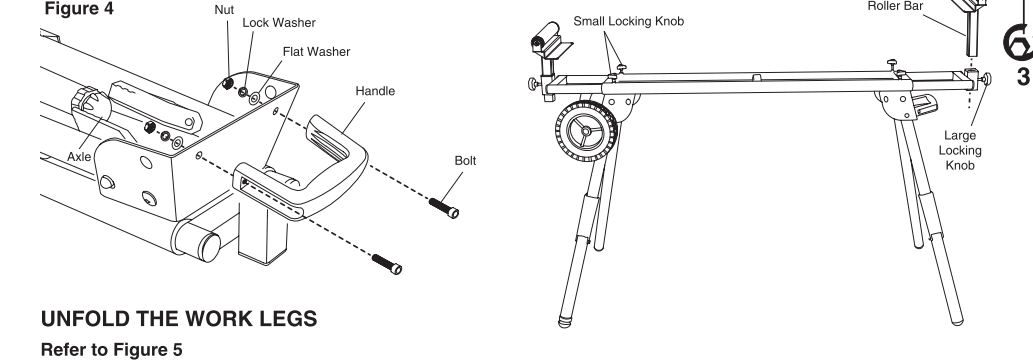


WARNING
Do not use the miter saw stand until it is completely assembled and you have read and understood this entire operating manual and the operating manual of the tool being used with this miter saw stand.

WARNING
Do not use the miter saw stand for scaffolding or as a ladder. Make sure to securely tighten all fasteners before using. Maximum capacity is 150 kg. Power tools on the miter saw stand should not exceed a combined overall height of 152.4 cm from the floor.

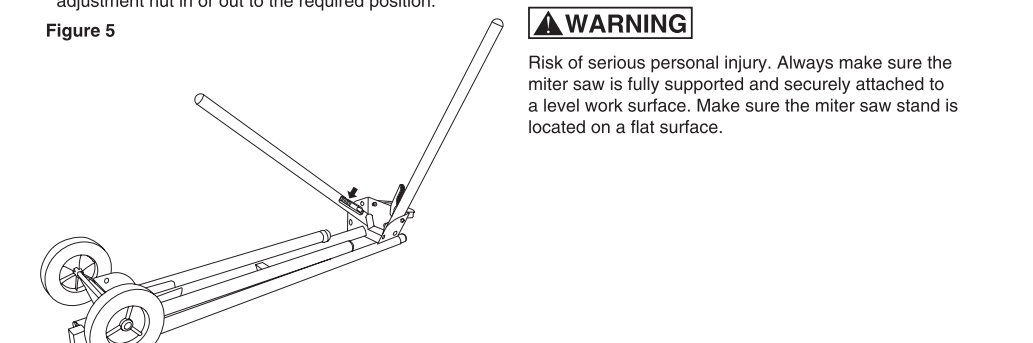
ASSEMBLY

ASSEMBLE HANDLE
Refer to Figure 4
Secure handle to frame with hardware supplied.



UNFOLD THE WORK LEGS

Refer to Figure 5
Place the miter saw stand on a flat surface with the folded legs facing up.
Depress the release lever and rotate the leg until it clicks and locks into the open position. Repeat for each leg.
The stand should be stable and should not rock. One leg is adjustable; if adjustment is needed, turn the adjustment nut in or out to the required position.



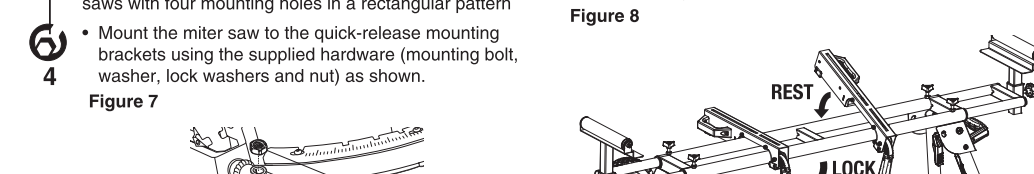
WARNING
Risk of serious personal injury. Always make sure the miter saw is fully supported and securely attached to a level work surface. Make sure the miter saw stand is located on a flat surface.

ASSEMBLE ROLLER BAR/ EXTENSION BAR LOCKING KNOBS

Refer to Figure 6
Place the roller arms into the roller bar supports, slide up and down to desired location and secure in place with large locking knobs.

OPERATION

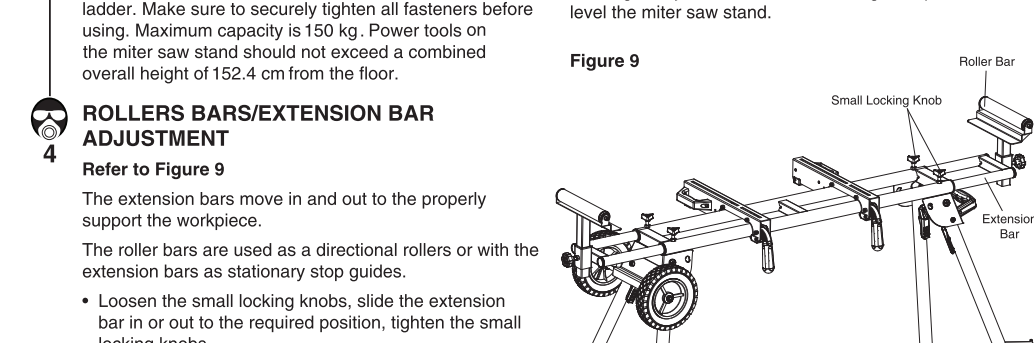
WARNING
Do not mount a table saw on this miter saw stand. Aggressive feeding of sheet materials into a table saw could cause the stand to tip over.
NOTE: This miter saw stand is to be used with miter saws with four mounting holes in a rectangular pattern.



WARNING
Mount the miter saw to the quick-release mounting brackets using the supplied hardware (mounting bolt, washer, lock washers and nut) as shown.
The quick release mounting brackets hook onto the miter saw stand frame. Using the handles on the quick release mounting brackets, lift the miter saw and position the quick release mounting brackets onto the miter saw stand as shown in Figure 7 (SAW IS NOT SHOWN TO ALLOW VISIBILITY OF THE RAILS AND BRACKETS).

LEVELING

Refer to Figure 9
One leg is adjustable. Turn the leveling nut up or down to level the miter saw stand.



ROLLERS BARS/EXTENSION BAR ADJUSTMENT

Refer to Figure 9
The extension bars move in and out to the properly support the workpiece.
The roller bars are used as directional rollers or with the extension bars as stationary stop guides.
Loosen the small locking knobs, slide the extension bar in or out to the required position, tighten the small locking knobs.
Loosen the large locking knobs, slide the roller bars up and down to desired location, tighten the large locking knobs.

MATERIAL SUPPORTS

Refer to Figure 9
Fold the material supports out to stack extra material for easy excess.

TRANSPORTATION

Refer to Figure 10
WARNING

- Risk of unsafe operation. Ensure proper footing and use caution when rolling the miter saw stand to prevent tipping or loss of balance.
- Lift up on the end of the miter saw stand with wheels.
- While holding the stand with one hand, squeeze the release levers and fold up the two suspended legs. The legs will lock into place.
- Lower the stand until the wheels rest on a flat surface.
- Using the handle, tilt the other end of the miter saw stand up and transfer the weight to the wheels.
- Squeeze the release levers and fold up the remaining two legs. The legs will lock into place.
- Holding the handle, carefully lower the stand to the ground.



MAINTENANCE

GENERAL MAINTENANCE

WARNING
When servicing, use only identical replacement parts. Use of any other parts may create a hazard or cause product damage. To ensure safety and reliability, all repairs should be performed by a qualified service technician.

WARNING
Keep the miter saw stand dry, clean, and free from oil and grease. Always use a clean cloth when cleaning. Never use brake fluids, gasoline, petroleum based products or any strong solvent to clean the miter saw stand. Chemicals can damage, weaken or destroy plastic which may result in serious personal injury.

ADJUST QUICK RELEASE BRACKET

Refer to Figure 11
The quick release mounting brackets must be secure on the miter saw stand. If adjustment is needed:
Turn the adjusting nut on the adjustment screw clockwise to tighten the clamping tension.
Turn the adjusting nut on the adjustment screw counterclockwise to loosen the clamping tension.

