

EXCEL

2000W

OPERATING INSTRUCTIONS



240V: 6294

WALLPAPER STRIPPER WITH SCRAPER (ANTI-LIMESCALE TECHNOLOGY)



2021

**Danger! Read all safety regulations and instructions.
Keep all safety regulations and instructions in a safe place for future use.**

Exceltools.co.uk



Read all safety warnings and all instructions before use. Failure to follow the warnings and instructions may result in electric shock, fire and/or serious injury. Save all warnings instructions for future reference.

SAFETY INSTRUCTIONS



Warning: Read all instructions. Failure to follow all instructions listed below may result in serious injury. This product should never be left unattended when connected to the mains supply.

SAVE THESE INSTRUCTIONS

Power source

- Your wallpaper stripper requires a 230-240V AC 50Hz supply. Do not use any other supply.

Using the wallpaper stripper

- This product is designed for household use involving steam cleaning tasks and wallpaper stripping in the home. Industrial or commercial use will invalidate the warranty.
- Keep children and visitors away from the wallpaper stripper. Do not let children use the wallpaper stripper.
- Never handle the mains plug or water tank with wet hands.
- Do not leave the water tank unattended when heating up, during use or cooling down.
- Use only the manufacturer's tools and accessories.
- Do not use the wallpaper stripper if it has been dropped, damaged, left outdoors or immersed in water.
- Do not carry the water tank by the power cable.
- Do not put any objects in openings in the accessories.
- Unplug the wallpaper stripper after use and before carrying out user maintenance on it.
- When not in use, store in a cool dry area indoors. Do not store near heat sources as this may damage the casing.
- Use in a well lit area.
- Never turn the tank over or on its side during use.
- Never direct steam towards people, pets, plants, and equipment with electrical components such as the interior of ovens.
- Do not immerse the water tank in water or any other liquid. Do not remove the safety cap during use. Always allow the water tank to cool down before attempting removal of the safety cap.
- Never put descaling, aromatic, alcoholic or detergent products into the water tank, as this can damage it or make it unsafe for use.
- The Steam plates and hose will get hot during use. Allow the tools to cool down before changing them while the water tank is being used.
- Beware of dripping water when used overhead.

- Do not lay the steam plate and steam nozzle down or leave unattended while steam is being generated, especially when children and pets are present.
- Do not use steam on cold glass as the glass may be damaged.
- Do not use outside in adverse weather conditions or allow the water tank to be exposed to rain or moisture. The use of a 30mA high sensitivity residual circuit breaker (RCD) is recommended for outdoor use or around the home.
- If the water tank is used with an extension lead, make sure that the lead is rated for at least 10A and includes the provision of a protective earthing conductor. Always take care when using extension leads to avoid creating a hazard.
- If the supply cord is damaged, it must be replaced by a special cord or assembly.
- available from the manufacturer or its service agent.
- Always unplug and allow to fully cool before opening the pressure cap and draining the steamer.

HEALTH ADVICE



Warning! When drilling, sanding, sawing or grinding, dust particles will be produced. In some instances, depending on the materials you are working with, this dust can be particularly harmful to you (e.g. lead from old gloss paint).

You are advised to consider the risks associated with the materials you are working with and to reduce the risk of exposure. You should:

- Work in a well-ventilated area.
- Work with approved safety equipment, such as those dust masks that are specially designed to filter microscopic particles.

ELECTRICAL SAFETY

Before switching the product on, make sure that the voltage of your electricity supply is the same as that indicated on the rating plate. This product is designed to operate on 230-240V AC 50Hz. Connecting it to any other power source may cause damage.

SYMBOLS



Read the manual



Warning



Wear gloves

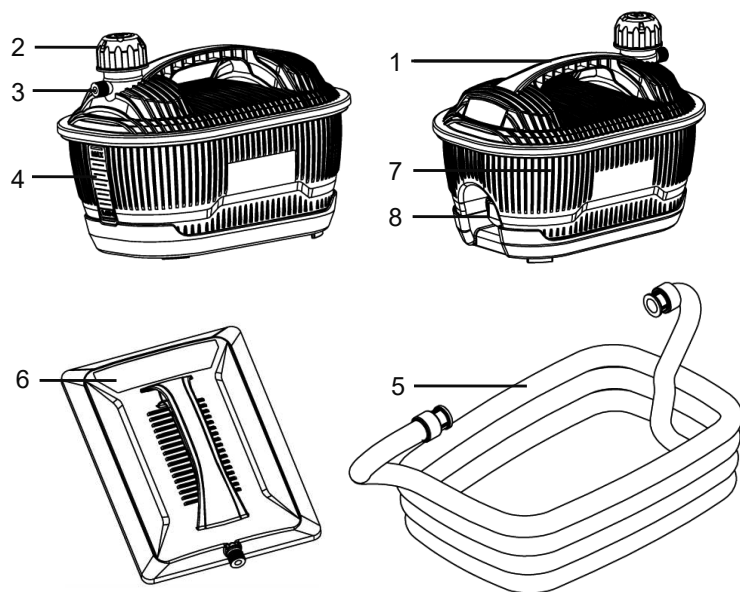


Conforms to relevant safety standards



In accordance with essential requirements for products sold in the United Kingdom.

COMPONENTS AND CONTROLS



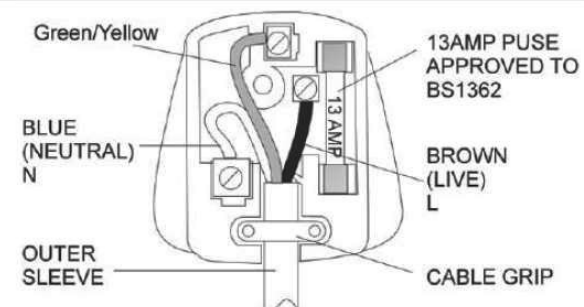
1. HANDLE
2. SAFETY CAP
3. HOSE CONNECTION OUTLET
4. WATER LEVEL INDICATOR

5. CONNECT PIPE
6. STEAM PLATE
7. WATER TANK
8. POWER SOCKET

TECHNICAL DATA

Volts:	230-240V~ 50Hz
Power input:	2000W
Capacity:	4.5L
IP Rating:	IPX4
Net Weight (when empty of water):	2kg

PLUG REPLACEMENT



If you need to replace the fitted plug then follow the instructions below.

Important

The wires in the mains lead are coloured in accordance with the following code:

Green & Yellow - Earth

Blue -Neutral

Brown - Live

As the colours of the wires in the mains lead of this appliance may not correspond with the coloured markings identifying the terminals in your plug, proceed as follows. The wire which is coloured green & yellow must be connected to the terminal which is marked with **E** or.

The wire which is coloured blue must be connected to the terminal which is marked with **N**. The wire, which is coloured brown, must be connected to the terminal, which is marked with the letter **L**.

Warning: Never connect live or neutral wires to the earth terminal of the plug. Only fit an approved 13 Amp BS1363/A plug and the correct rated fuse.

Note: If a moulded plug is fitted and has to be removed take great care in disposing of the plug and severed cable, it must be destroyed to prevent engaging into a socket.

If the supply cord is damaged it must be replaced by a service agent or a similarly qualified person in order to avoid hazard.

EXCEL

CONTACT US:

Tools4Trade Ltd.
6 Fitzhamon Court,
Bradwell Wolverton,
Milton Keynes, MK12 6LB

PHONE:

01908 969966

Email:

sales@tools4trade.co.uk

SAFETY CUT-OUT

A safety cut-out is fitted to prevent overheating of the element if the water boils low. If the water tank stops boiling, this can be the cause.

1. Wait two minutes before removing the filler cap then refill with water.
2. The cut-out will reset itself and steam will be produced within 15 minutes.

MAINTENANCE

Remove the plug from the socket before carrying out any adjustment, servicing or maintenance.

Your power tool requires no additional lubrication or maintenance.

There are no user serviceable parts in your power tool. Never use water or chemical cleaners to clean your power tool. Wipe clean with a dry cloth. Always store your power tool in a dry place. Keep the motor ventilation slots clean. Keep all working controls free of dust. Occasionally you may see sparks through the ventilation slots. This is normal and will not damage your power tool.

If the supply cord is damaged, it must be replaced by the manufacturer, its service agent or similarly qualified persons in order to avoid a hazard.

ENVIRONMENTAL PROTECTION



■ This product is marked with the selective sorting symbol on waste electrical and electronic equipment. This means that this product should not be disposed of with household waste but must be supported by a collection system in accordance with Directive 2012/18/EC. It will then be recycled or dismantled to minimize impacts on the environment, electrical and electronic products are potentially hazardous to the environment and human health due to the presence of hazardous substances.

ASSEMBLY

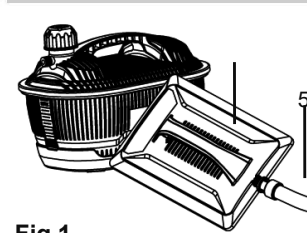


Fig.1



Note: Before using the tool, read the instruction book carefully.

Note: Remove the plug from the socket before carrying out adjustment, servicing or maintenance.

1. Attaching the steam plate hose (Fig 1)

Take care when attaching the connect pipe (5) to the steam plate (6) and the unit as the threads are plastic. Do not cross the threads, as this will cause damage.

OPERATION & USE

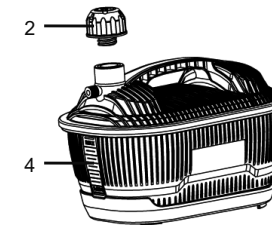


Fig.2

1. Filling the water tank



Warning: There is a danger of scalding. You must never attempt to remove the safety cap while the unit is switched on or under pressure.

The tools and hose get hot during use. Allow the tools to cool down before changing them while the steamer is being used.

The water tank has a capacity of 4.5 liters.

Fill the tank as follows:

1. Check that the mains supply is disconnected.
2. Unscrew the safety cap (2). (Fig 2)
3. Make sure that the water tank is on a stable flat surface.
4. Pour water, preferably hot, into the water tank. Distilled water is not necessary.
5. Fill the water tank to the MAX level (4) for the longest steaming time. For a shorter steaming time use less water, but do not fill to less than the MIN level.



Warning: Do not overfill the water tank. Fill to the MAX level (4). Never put descaling, aromatic, alcoholic or detergent products into the water tank, as this may damage it or make it unsafe for use.

6. Screw the safety cap back onto the water tank and tighten by hand.
7. Connect the hose to the water tank by screwing the captive nut on the hose in a clockwise direction until it is tight.

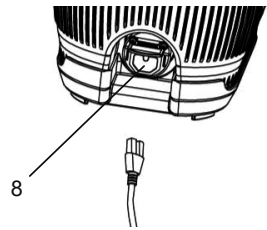


Fig.3

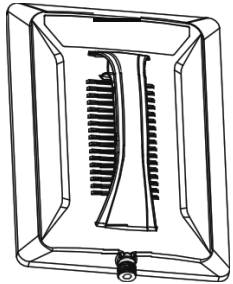


Fig.4

2. Attaching the power lead (Fig 3)

Plug the adaptor end of the power lead into socket (8). It is advisable to use a residual current device(RCD) in conjunction with this unit.

Note: This unit will automatically begin the boiling process when power is switched on at the mains socket.

3. Stripping

Warning: Just before steam is produced, a small amount of bubbling hot water will be emitted from the wallpaper stripper.

Typically it takes 10 minutes before full steam is achieved. During this time the vapour hood should be placed in a position where the water and steam that is emitted does not cause any damage.

Caution: Check the state of the plaster before steaming. If the plaster is loose or sounds hollow it may be damaged further by steaming.

To achieve the fastest paper removal:

1. Gently score the areas to be stripped. (With heavily embossed, vinyl coated or painted paper this is essential).
2. Either use a proprietary perforator tool or alternatively score the paper with the edge of a wallpaper scraper in a criss-cross pattern with a spacing of approximately 150mm (6").
3. Hold the steam plate flat against the wall for approximately 10 seconds. (Fig 4)
4. Move the steam plate to the area immediately beside the one just steamed and use a wallpaper scraper to remove the paper from the steamed area.

Note: Working in this way allows continuous wallpaper removal. For some types of paper, or if there is more than one layer of paper, the time may need to be extended. Always wear suitable heat resistant gloves and a long sleeved top. Beware of hot water accumulating in the steam plate as this could cause burns if spilt. Do not allow steam near or into electrical outlets or fittings.

5. Operate until the water level reaches the MIN mark on the water tank, then unplug the water tank and allow it to cool for at least 5 minutes before removing the filler cap.

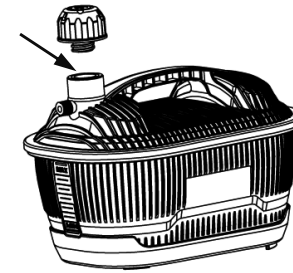


Fig.5

Never use the steamer for more than 2 hours at one time as this will cause the steamer to boil dry. You must always work in a well ventilated area and if you feel unwell due to the heat immediately switch off and unplug the steamer and take a break from the work until you feel better.

4. Refilling the water tank while wallpaper stripping

Should the need arise to refill the water tank with water while wallpaper stripping:

1. Switch Off and unplug the power cable from the mains supply socket.

Warning: Although the steam pressure in the water tank has been released, the water tank still contains very hot water. Do not attempt to remove the safety cap until the water tank has cooled down.

2. Wait at least 5 minutes for the water tank to cool, check the weight of the tank, does it feel empty, if not do not open until the side of the tank is completely cool to touch. If the tank feels empty then carefully start to unscrew the safety cap.

If you hear steam escaping, stop and wait until the hissing sound stops. (Fig 5)

3. Carefully, continue to unscrew the safety cap. If you hear steam escaping from the cap immediately stop and allow a further 10 minutes cooling before attempting to open.

4. Continue in this manner until the safety cap can be removed. Take great care, as any residual water is very hot.

5. Slowly fill the water tank with water using a funnel.
6. Screw the safety cap back onto the steamer and tighten by hand.

7. Plug the 3-pin mains plug into the mains socket and switch on.

8. Continue with the instructions for switching on.

9. When you have finished steam cleaning, switch off and unplug the power cable from the mains supply socket.

10. Allow the water tank and all accessories to cool completely then empty any residual water. Clean and dry the accessories and store in a dry place.