

# EXCEL Mitre Saw Stand



**EXCEL**

exceltools.co.uk

**Operator's Manual**

**CONTENTS**

- Safety Rules for Mitre Saw Stand ..... 4
- Symbols ..... 4
- Specifications ..... 4
- Unpacking ..... 5
- Assembly ..... 5
- Operation ..... 6
- Maintenance and Servicing ..... 7
- Cleaning ..... 7

**Important safety information**

- This is the safety alert symbol. It is used to alert you to potential personal injury hazards. Obey all safety messages that follow this symbol to avoid possible injury or death.
- DANGER** DANGER indicates a hazardous situation which, if not avoided, will result in death or serious injury.
- WARNING** WARNING indicates a hazardous situation which, if not avoided, could result in death or serious injury.
- CAUTION** CAUTION used with the safety alert symbol, indicates a hazardous situation which, if not avoided, could result in minor or moderate injury.
- NOTICE** NOTICE is used to address practices not related to personal injury.
- CAUTION** CAUTION without the safety alert symbol, is used to address practices not related to personal injury.

**WARNING**

Read and understand all safety warnings and instructions. Failure to follow the warnings and instructions may result in electric shock, fire and/or serious injury. Save all warnings and instructions for future reference.

**Safety Rules for Mitre Saw Stand**

- **Know your accessory.** Read the operator's manual carefully. Learn its applications and limitations, as well as the specific potential hazards related to this accessory.
- **Keep the work area clean.** Cluttered work areas and work benches invite accidents.
- **Always wear safety glasses with side shields.** Everyday glasses have only impact resistant lenses. They are NOT safety glasses.
- **This stand will accommodate many mitre saws.** However, it should never be used on any mitre saw with a blade diameter larger than 305MM, or with any slide mitre saw with a blade diameter larger than 254MM. Always confirm any mitre saw used is mounted securely and is stable before plugging in the mitre saw. Before turning on the saw, perform a dry run of the cutting operation just to make sure that no problems will occur when the cut is made.
- **Do not modify or use** this stand for any purpose for which it is not intended.
- **This stand is designed to be used on a flat stable surface.** Do not use the stand on an uneven surface. Be sure to allow enough room to handle and properly support the workpiece.
- **Follow the tool mounting instructions carefully,** and ensure the tool is fastened securely.
- Maximum weight of the mitre saw and workpiece together must not exceed 100 kg.
- **Do not apply an unbalanced load** that could cause the saw stand to tip over.
- **Save these instructions.** Refer to them frequently and use them to instruct others who may use this accessory. If you loan someone this accessory, loan them these instructions also to prevent misuse of the product and possible injury.

**Symbols**

**CAUTION** Some of the following symbols may be used on your tool. Please study them and learn their meaning. Proper interpretation of these symbols will allow you to operate the tool better and safer.

Symbol	Name	Designation / Explanation
V	Volts	Voltage
A	Amperes	Current
Hz	Hertz	Frequency (Cycles per second)
W	Watt	Power
Kg	Kilograms	Weight
min	Minutes	Time
S	Seconds	Time
Ø	Diameter	Size of drill bits, grinding wheel, etc.
n/a	No load speed	Rotational speed at no load
.../min	Revolutions or reciprocation per minutes	Revolutions, strokes, surface speed, or bits etc. per minute
0	Off position	Zero speed, zero torque
→	Arrow	Action in the direction of arrow
~	Alternating current	Type or a characteristic of current
—	Direct Current	Type or a characteristic of current
	Read manual symbol	Alerts user to read manual

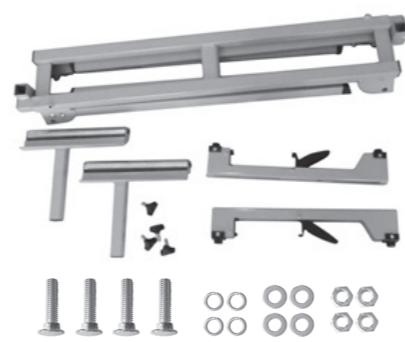
**Specifications**

Height Adjustment Range	825MM TO 935MM
Extension Adjustment Range	940MM TO 1985MM
Max. Load Weight	100KG
Weight	9.9KG

**Unpacking**

When unpacking, check to make sure that the item is intact and undamaged.

Description	Qty
Mitre Saw Stand	1
Adjustment Knob	4
Work Support	2
Saw Mounting Bracket	2
Carriage Bolt M6*60	4
Flat Washer Ø6	4
Split Washer Ø6	4
Nut M6	4



**Features**

**Product information**

The numbers in the following text correspond with Fig.1

1. Mitre Saw (Not including in packing)
2. Work Support
3. Extension Rail
4. Length Adjust Knob
5. Saw Mounting Bracket
6. Locking Pin
7. Stand
8. Extension Adjust Knob

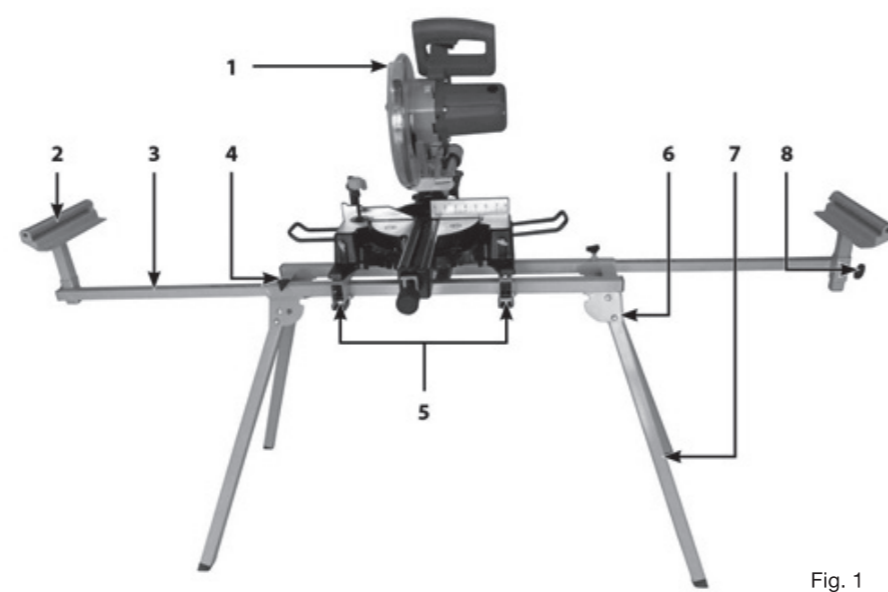


Fig. 1

**Assembly**

Read the entire Important Safety Information section at the beginning of this manual including all text under subheadings therein before assembling or use of this power tool.

- Put the mitre saw stand upside down on the ground, push the locking pin (6) down, and then pivot the four legs forward until they "click" into the locked position. (Fig.2&3)

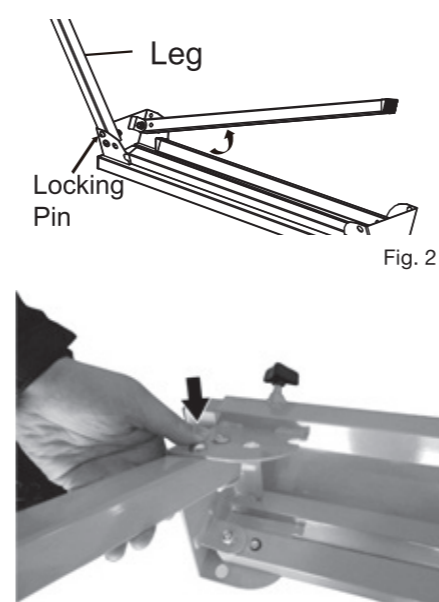


Fig. 4

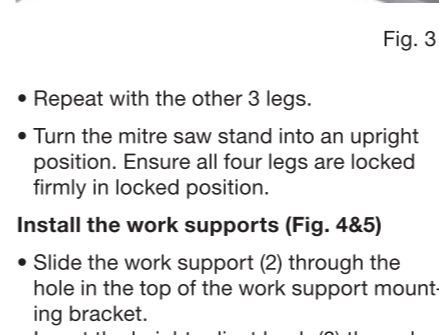


Fig. 3

**Attaching saw mounting bracket**

- Press the lock handle, slide the saw mounting bracket (5) on the frame, then release the lock handle, lock the bracket on the frame.
- Repeat with the other bracket. (Fig.6&7)



Fig. 6

- Repeat with the other 3 legs.
  - Turn the mitre saw stand into an upright position. Ensure all four legs are locked firmly in locked position.
- Install the work supports (Fig. 4&5)**
- Slide the work support (2) through the hole in the top of the work support mounting bracket.
  - Insert the height adjust knob (8) through the small hole on the side of the work support mounting bracket and tighten the knob to secure the work support in the desired height.
  - Repeat with the other support.

**Using the extension rail**

- Extend the rail (3) to the desired position.
- Insert the extension adjust knob (4) through the small hole on the side of the frame.

mounting holes on the mitre saw base with the slot in the top of the bracket.

- Repeat through the other side end if the saw on the other bracket.
- Secure the saw by using carriage bolts, spring washer, flat washer and nut through the slot of bracket and the mounting holes on the saw.



Fig. 7

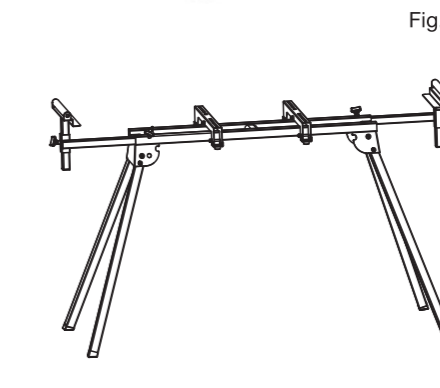


Fig. 8

- Tighten the extension adjust knob. (Fig.8&9)
- Placing mitre saw on the stand**
- **WARNING** To prevent serious injury from accidental operation unplug the saw before assembling, any adjustments or maintenance
  - Unplug the saw and lock the saw arm in the down position.
  - Place a saw mounting bracket underneath the raised side of the saw, aligning the

Fig. 9

NOTES

NOTES