

Original Instructions

EXCEL

CORDLESS MINI CIRCULAR SAW 18V

12238/CS-L0118Z



INSTRUCTION MANUAL

Original Instructions

DESCRIPTION OF THE SYMBOLS



Read instructions carefully before any use



Complies with relevant European regulations



The crossed-out wheeled bin symbol indicates that the item should be disposed of separately from household waste. The item should be handed in for recycling in accordance with local environmental regulations for waste disposal. By separating a marked item from household waste, you will help reduce the volume of waste sent to incinerators or land-fill and minimize any potential negative impact on human health and the environment.

On battery



Do not expose the battery to water



Do not expose the battery to fire or incinerate



max40°C Do not expose the battery to high temperatures (above 40°C)



Li-ion battery



Recyclable material

Original Instructions

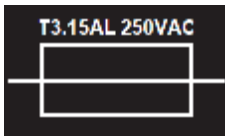
On charger



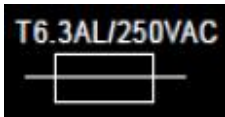
Class II machine – Double insulation – You don't need any earthed plug.



Use this device indoors only.



Fuse(Ch001E-230)



Fuse(CH-1802B-E)

GENERAL POWER TOOL SAFETY WARNINGS



WARNING Read all safety warnings, instruction, illustrations and specifications provided with this power tool. Failure to follow all instructions listed below may result in electric shock, fire and/or serious injury.

SAVE ALL WARNINGS AND INSTRUCTIONS FOR FUTURE REFERENCE.
The term "power tool" in the warnings refers to your mains-operated (corded) power tool or battery-operated (cordless) power tool.

1) Work area safety

- a) **Keep work area clean and well lit.** Cluttered or dark areas invite accidents.
- b) **Do not operate power tools in explosive atmospheres, such as in the presence of flammable liquids, gases or dust.** Power tools create sparks which may ignite the dust or fumes.
- c) **Keep children and bystanders away while operating a power tool.** Distractions can cause you to lose control.

2) Electrical safety

- a) **Power tool plugs must match the outlet. Never modify the plug in any way. Do not use any adapter plugs with earthed (grounded) power tools.** Unmodified plugs and matching outlets will reduce risk of electric shock.
- b) **Avoid body contact with earthed or grounded surfaces such as pipes, radiators, ranges and refrigerators.** There is an increased risk of electric shock if your body is earthed or grounded.
- c) **Do not expose power tools to rain or wet conditions.** Water entering a power tool will increase the risk of electric shock.
- d) **Do not abuse the cord. Never use the cord for carrying, pulling or unplugging the power tool. Keep cord away from heat, oil, sharp edges or moving parts.** Damaged or entangled cords increase the risk of electric shock.
- e) **When operating a power tool outdoors, use an extension cord suitable for outdoor use.** Use of a cord suitable for outdoor use reduces the risk of electric shock.
- f) **If operating a power tool in a damp location is unavoidable, use a residual current device (RCD) protected supply.** Use of an RCD reduces the risk of electric shock.

3) Personal safety

- a) **Stay alert, watch what you are doing and use common sense when operating a power tool. Do not use a power tool while you are tired or under the influence of drugs, alcohol or medication.** A moment of inattention while operating power tools may result in serious personal injury.

Original Instructions

- b) **Use personal protective equipment. Always wear eye protection.** Protective equipment such as dust mask, non-skid safety shoes, hard hat or hearing protection used for appropriate conditions will reduce personal injuries.
 - c) **Prevent unintentional starting. Ensure the switch is in the off-position before connecting to power source and/or battery pack, picking up or carrying the tool.** Carrying power tools with your finger on the switch or energising power tools that have the switch on invites accidents.
 - d) **Remove any adjusting key or wrench before turning the power tool on.** A wrench or a key left attached to a rotating part of the power tool may result in personal injury.
 - e) **Do not overreach. Keep proper footing and balance at all times.** This enables better control of the power tool in unexpected situations.
 - f) **Dress properly. Do not wear loose clothing or jewellery. Keep your hair and clothing away from moving parts.** Loose clothes, jewellery or long hair can be caught in moving parts.
 - g) **If devices are provided for the connection of dust extraction and collection facilities, ensure these are connected and properly used.** Use of dust collection can reduce dust-related hazards.
 - h) **Do not let familiarity gained from frequent use of tools allow you to become complacent and ignore tool safety principles.** A careless action can cause severe injury within a fraction of a second.
- 4) **Power tool use and care**
- a) **Do not force the power tool. Use the correct power tool for your application.** The correct power tool will do the job better and safer at the rate for which it was designed.
 - b) **Do not use the power tool if the switch does not turn it on and off.** Any power tool that cannot be controlled with the switch is dangerous and must be repaired.
 - c) **Disconnect the plug from the power source and/or remove the battery pack, if detachable, from the power tool before making any adjustments, changing accessories, or storing power tools.** Such preventive safety measures reduce the risk of starting the power tool accidentally.
 - d) **Store idle power tools out of the reach of children and do not allow persons unfamiliar with the power tool or these instructions to operate the power tool.** Power tools are dangerous in the hands of untrained users.
 - e) **Maintain power tools and accessories. Check for misalignment or binding of moving parts, breakage of parts and any other condition that may affect the power tool's operation. If damaged, have the power tool repaired before use.** Many accidents are caused by poorly maintained power tools.
 - f) **Keep cutting tools sharp and clean.** Properly maintained cutting tools with sharp cutting edges are less likely to bind and are easier to control.

Original Instructions

- g) **Use the power tool, accessories and tool bits etc. in accordance with these instructions, taking into account the working conditions and the work to be performed.** Use of the power tool for operations different from those intended could result in a hazardous situation.
- h) **Keep handles and grasping surfaces dry, clean and free from oil and grease.** Slippery handles and grasping surfaces do not allow for safe handling and control of the tool in unexpected situations.

5) Battery tool use and care


- a) **Recharge only with the charger specified by the manufacturer.** A charger that is suitable for one type of battery pack may create a risk of fire when used with another battery pack.
- b) **Use power tools only with specifically designated battery packs.** Use of any other battery packs may create a risk of injury and fire.
- c) **When battery pack is not in use, keep it away from other metal objects like paper clips, coins, keys, nails, screws, or other small metal objects, that can make a connection from one terminal to another.** Shorting the battery terminals together may cause burns or a fire.
- d) **Under abusive conditions, liquid may be ejected from the battery; avoid contact. If contact accidentally occurs, flush with water. If liquid contacts eyes, additionally seek medical help.** Liquid ejected from the battery may cause irritation or burns.
- e) **Do not use a battery pack or tool that is damaged or modified.** Damaged or modified batteries may exhibit unpredictable behaviour resulting in fire, explosion or risk of injury.
- f) **Do not expose a battery pack or tool to fire or excessive temperature.** Exposure to fire or temperature above 130 °C may cause explosion.
- g) **Follow all charging instructions and do not charge the battery pack or tool outside the temperature range specified in the instructions.** Charging improperly or at temperatures outside the specified range may damage the battery and increase the risk of fire.

6) Service

- a) **Have your power tool serviced by a qualified repair person using only identical replacement parts.** This will ensure that the safety of the power tool is maintained.
- b) **Never service damaged battery packs.** Service of battery packs should only be performed by the manufacturer or authorized service providers.

ADDITIONAL WARNING CONCERNING SAW

Cutting procedures

- a)  **DANGER: Keep hands away from cutting area and the blade.**
- b) **Do not reach underneath the workpiece.** The guard cannot protect you from the blade below the workpiece.
- c) **Adjust the cutting depth to the thickness of the workpiece.** Less than a full tooth of the blade teeth should be visible below the workpiece.
- d) **Never hold the workpiece in your hands or across your leg while cutting. Secure the workpiece to a stable platform.** It is important to support the work properly to minimise body exposure, blade binding, or loss of control.
- e) **Hold the power tool by insulated gripping surfaces, when performing an operation where the cutting tool may contact hidden wiring or its own cord.** Contact with a "live" wire will also make exposed metal parts of the power tool "live" and could give the operator an electric shock.
- f) **When ripping, always use a rip fence or straight edge guide.** This improves the accuracy of cut and reduces the chance of blade binding.
- g) **Always use blades with correct size and shape (diamond versus round) of arbour holes.** Blades that do not match the mounting hardware of the saw will run off-centre, causing loss of control.
- h) **Never use damaged or incorrect blade washers or bolt.** The blade washers and bolt were specially designed for your saw, for optimum performance and safety of operation.

Kickback causes and related warnings

kickback is a sudden reaction to a pinched, jammed or misaligned saw blade, causing an uncontrolled saw to lift up and out of the workpiece toward the operator;

- Ø when the blade is pinched or jammed tightly by the kerf closing down, the blade stalls and the motor reaction drives the unit rapidly back toward the operator;
 - Ø if the blade becomes twisted or misaligned in the cut, the teeth at the back edge of the blade can dig into the top surface of the wood causing the blade to climb out of the kerf and jump back toward the operator.
 - Ø Kickback is the result of saw misuse and/or incorrect operating procedures or conditions and can be avoided by taking proper precautions as given below.
- a) **Maintain a firm grip on the saw and position your arms to resist kickback forces. Position your body to either side of the blade, but not in line with the blade.** Kickback could cause the saw to jump backwards, but kickback forces can be controlled by the operator, if proper precautions are taken.

Original Instructions

- b) **When blade is binding, or when interrupting a cut for any reason, release the trigger and hold the saw motionless in the material until the blade comes to a complete stop. Never attempt to remove the saw from the work or pull the saw backward while the blade is in motion or kickback may occur.** Investigate and take corrective actions to eliminate the cause of blade binding.
- c) **When restarting a saw in the workpiece, centre the saw blade in the kerf so that the saw teeth are not engaged into the material.** If a saw blade binds, it may walk up or kickback from the workpiece as the saw is restarted.
- d) **Support large panels to minimise the risk of blade pinching and kickback.** Large panels tend to sag under their own weight. Supports must be placed under the panel on both sides, near the line of cut and near the edge of the panel.
- e) **Do not use dull or damaged blades.** Unsharpened or improperly set blades produce narrow kerf causing excessive friction, blade binding and kickback.
- f) **Blade depth and bevel adjusting locking levers must be tight and secure before making the cut.** If blade adjustment shifts while cutting, it may cause binding and kickback.
- g) **Use extra caution when sawing into existing walls or other blind areas.** The protruding blade may cut objects that can cause kickback.

Lower guard function

- a) **Check the lower guard for proper closing before each use. Do not operate the saw if the lower guard does not move freely and close instantly. Never clamp or tie the lower guard into the open position.** If the saw is accidentally dropped, the lower guard may be bent. Raise the lower guard with the retracting handle and make sure it moves freely and does not touch the blade or any other part, in all angles and depths of cut.
- b) **Check the operation of the lower guard spring. If the guard and the spring are not operating properly, they must be serviced before use.** Lower guard may operate sluggishly due to damaged parts, gummy deposits, or a build-up of debris.
- c) **The lower guard may be retracted manually only for special cuts such as "plunge cuts" and "compound cuts". Raise the lower guard by the retracting handle and as soon as the blade enters the material, the lower guard must be released.** For all other sawing, the lower guard should operate automatically.
- d) **Always observe that the lower guard is covering the blade before placing the saw down on bench or floor.** An unprotected, coasting blade will cause the saw to walk backwards, cutting whatever is in its path. Be aware of the time it takes for the blade to stop after switch is released.

EXTRA SAFETY REGULATIONS CONCERNING BATTERY

To ensure the longest battery life and best battery performance, always charge the battery when the temperature is between 18-24°C. Do not charge the battery pack when the temperature is below 0°C, or above 40°C. This is important. Failure to observe this safety rule could cause serious damage to the battery pack.

Do not incinerate the battery pack even if it is seriously damaged or can no longer hold a charge. The battery pack can explode in a fire.

A small leakage of liquid from the battery pack may occur under extreme usage or temperature. This does not necessarily indicate a failure of the battery pack. However, if the outer seal is broken and this leakage comes into contact with your skin:

- ü Wash the affected area quickly with soap and water.
- ü Neutralise the liquid with a mild acid such as lemon juice or vinegar.

If the leakage gets in your eyes:

- ü Flush your eyes with clean water for a minimum of 10 minutes and seek immediate medical attention. Inform the medical staff that the liquid is a 25-35% solution of potassium hydroxide.

Never attempt to open the battery pack for any reason. If the plastic housing of the battery pack breaks open or cracks, immediately discontinue its use and do not recharge it.

Do not store or carry a spare battery pack in a pocket or toolbox or any other place where it may come into contact with metal objects. The battery pack may be short circuited causing damage to the battery pack, burns or a fire. If storing or disposing the battery pack, cover the terminals with a heavy insulation tape to ensure short circuit cannot occur. Batteries, when stored for a long period of time, will discharge.

Do not store or use the tool and battery pack in locations where the temperature may reach or exceed 40°C such as alongside sheds or metal structures in the summer.

Allow the battery pack to cool down after charging. Do not place it in a hot environment such as a metal shed or open trailer left in the sun.

Only charge the battery with the charger supplied.

Do not put the battery pack near fire or high temperature position.

Do not splash or immerse in water or other liquids. This may cause premature cell failure.

When transporting individual batteries, make sure that the battery terminals are protected and well insulated from materials that could contact them and cause a short circuit.

The best storage place is one that is cool and dry away from direct sunlight and excess heat or cold.

If the battery pack has been stored for a long time, you should activate the battery pack first before using it.

The battery is to be disposed of safely.

EXTRA SAFETY REGULATIONS CONCERNING BATTERY CHARGER

This appliance can be used by children aged from 8 years and above and persons with reduced physical, sensory or mental capabilities or lack of experience and knowledge if they have been given supervision or instruction concerning use of the appliance in a safe way and understand the hazards involved.

Children shall not play with the appliance.

Cleaning and user maintenance shall not be made by children without supervision.

For indoor use only

Warning do not recharge non-rechargeable batteries

This charger should be used only to charge battery pack BA-1820B

If the supply cord is damaged, it must be replaced by the manufacturer, its service agent or similarly qualified persons in order to avoid a hazard.

Before using the charger, read all the instructions and cautionary markings on the charger and battery pack as well as the instructions on the battery pack.

Only charge your battery pack indoors as the charger is designed for indoor use only.

DANGER: If the battery pack is cracked or damaged in any other way, do not insert it in the charging base. There is a danger of electric shock or electrocution.



WARNING: Do not allow any liquid to come into contact with the charger.

There is a danger of electric shock.

The charger is not intended for any use other than charging the exact type of rechargeable battery pack as supplied with the charger. Any other use may result in the risk of fire, electric shock or electrocution.

The charger and battery pack supplied with it are specifically designed to work together. Do not attempt to charge the battery pack with any other charger than the one supplied.

Do not place any object on top of the charger as it could cause overheating. Do not place the charger near any heat source.

Pull on the charger to disconnect it from the power source. Do not pull on the lead.

Make sure that the charger lead is positioned where it will not be stepped on, tripped over or otherwise subjected to damage or stress.

Do not use an extension cord unless it is absolutely necessary. The use of an improper extension cord could cause the risk of fire, electric shock or electrocution.

Do not use the charger if it has been subjected to a heavy knock, dropped or otherwise damaged in any way. Take the charger to an authorized service centre for a check or repair.

Do not disassemble the charger. Take it to an authorized service centre when service or repair is required. Incorrect re-assembly may result in the risk of fire, electric shock or electrocution.

Original Instructions

To reduce the risk of an electric shock, unplug the charger from the power supply before attempting to clean it. Removing the battery pack alone does not reduce the risk.

The charger is designed for use from a standard household electrical supply. Do not attempt to connect the charger to a supply with a different voltage.

The charger is not intended for use by persons (including children) with reduced physical, sensory or mental capabilities, or lack of experience and knowledge, unless they have been given supervision or instruction concerning use of the charger by a person responsible for their safety.

Children should be supervised to ensure that they do not play with the charger.

Do not expose charger to rain or snow.

Do not mount charger on wall or permanently affix charger to any surface. The charger is intended to use on a flat, stable surface(i.e. table top, bench top)

Never attempt to connect two chargers together.

Never insert any objects into the charger's air vents. Electric shock or damage to the battery charger may result.

Disconnect the charger from the outlet before attempting any cleaning. This will reduce the risk of electric shock. Removing the battery pack will not reduce this risk.

Never recharge a fully charged battery cartridge.

Do not charge non-rechargeable batteries.

INTENDED USE

The machine is intended for lengthways and crossways cutting of wood with straight cutting lines as well as mitre cuts in wood while resting firmly on the workpiece.

With suitable saw blades, thin-walled non-ferrous metals, e.g., profiles, can also be sawed.

Working ferrous metals is not permitted.

Original Instructions

NOISE/VIBRATION INFORMATION

Measured sound values determined according to EN 62841.

Wear hearing protection!

Vibration total values (triax vector sum) determined according to EN 62841:

The vibration emission level given in this information sheet has been measured in accordance with a standardised test given in EN 62841 and may be used to compare one tool with another.

It may be used for a preliminary assessment of exposure.

The declared vibration emission level represents the main applications of the tool. However if the tool is used for different applications, with different accessories or poorly maintained, the vibration emission may differ. This may significantly increase the exposure level over the total working period.

An estimation of the level of exposure to vibration should also take into account the times when the tool is switched off or when it is running but not actually doing the job. This may significantly reduce the exposure level over the total working period.

Identify additional safety measures to protect the operator from the effects of vibration such as: maintain the tool and the accessories, keep the hands warm, organisation of work patterns.

Before using the equipment

Battery charger (Fig.1)

The lithium-ion battery can be charged at any time and will not develop a “memory” when charged after only a partial discharge. It is not necessary to run down the battery pack charge before recharging. Remove the battery pack from the tool when convenient for you and your job. You can “top-off” your battery pack’s charge before starting a big job or long period of use.

Due to lithium-ion’s fade-free properties, the only time it is necessary to charge the lithium-ion battery pack is when the pack has reached the end of its charge. To signal the end of charge, power to the tool will drop quickly. Charge the battery pack as needed.

Original Instructions

Fig.1



a. Charging the battery

This lithium-ion battery pack is shipped partially charged. Before using it the first time, fully charge the battery pack. A fully discharged battery pack with a temperature between 5°C and 35°C will charge in about 30-140MIN(See section"Specifications").

CH-1802A:

- Plug the charger adapter into power source. The green light on the charger stand will illuminate, indicating the charger is powered.
- Slide the battery all the way into the charger stand until it locks in place with a click. The red light on the charger stand will illuminate, indicating that the battery is charging.
- The red light will go off after charging is complete and a green light will appear.

CH-1802B/CH-1802D:

See the manual of CH-1802B/CH-1802D

NOTE: Batteries may become warm while charging. This is normal. If the battery is hot after continuous use in the tool, allow it to cool down to room temperature before charging. This will extend the life of your batteries.

WARNING: Always disconnect the battery pack from the tool before any assembly, adjustments or changing accessories.

b.Insertion and removal of rechargeable battery (Fig. 2)

Depress the battery-release button located on the front of the battery pack to release battery pack.

Pull the battery pack out and remove it from the tool.

Original Instructions



Fig.2

Warning!

Always remove the battery pack before making adjustments to the equipment. Be sure to read the following information before you put the cordless equipment into operation: Charge the battery pack with the charger.

Removal of the Saw Blade

Before any work on the power tool, remove the battery.

For changing the cutting tool, it is best to place the machine on the face side of the motor housing.

Press the spindle button and keep it pressed (Fig.1).

The spindle lock button may be actuated only when the saw spindle is at a standstill. Otherwise, the power tool can be damaged.

With the Allen key, unscrew the clamping bolt turning in rotation direction.(Fig.2)

Tilt back the retracting blade guard and hold firmly.

Remove the clamping flange and the saw blade from the saw spindle.

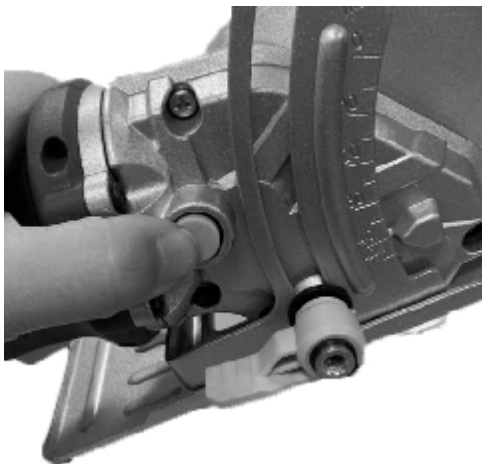


Fig.1



Fig.2

Original Instructions

Dust/Chip Extraction

Dusts from materials such as lead-containing coatings, some wood types, minerals and metal can be harmful to one's health. Touching or breathing-in the dusts can cause allergic reactions and/or lead to respiratory infections of the user or bystanders, certain dusts, such as oak or beech dust, are considered as carcinogenic, especially in connection with wood-treatment additives (chromate, wood preservative). Materials containing asbestos may only be worked by specialists.

- To achieve a high level of dust extraction, use a suitable dust extractor together with this power tool.
- Provide for good ventilation of the working place.
- It is recommended to wear a P2 filter-class respirator.



Operation

Mounting the Extraction Adapter

Before any work on the power tool, remove the battery. Fasten the extraction adapter to the dust port without tools.

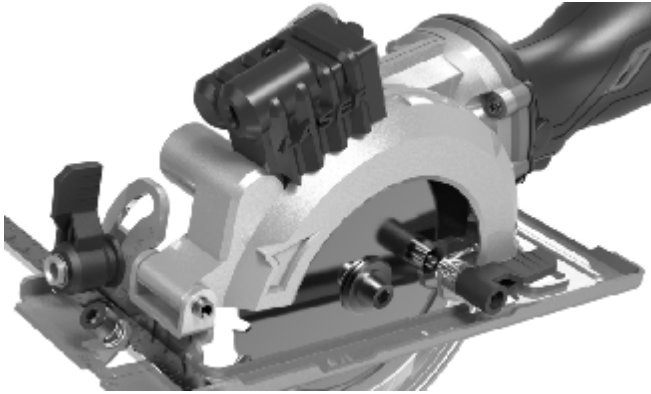
The extraction adapter may not be mounted when no external dust extraction is connected. Otherwise the extraction channel can become clogged.
Do not connect a dust bag to the extraction adapter.

Otherwise the extraction system can become clogged. To ensure optimum extraction, the extraction adapter must be cleaned regularly.

Original Instructions

Laser Function

WARNING: Do not stare directly at the laser beam, do not deliberately aim the beam at personnel and ensure that it is not directed towards the eye of a person for longer than 0.25s.



When you make the line of the cut on the work piece, the laser can help you get better alignment.

1. Make sure line of the cut on the work piece.
 2. Adjust the angle of cut as required.
 3. Plug in the machine and start the motor.
 4. When the blade is at its maximum speed (approximately 2 seconds), place the saw on the work-piece.
 5. Switch on the laser from the laser aperture using the laser switch(21).
 6. Align the beam with the mark on the work-piece and slowly push the saw forward using both hands, keeping the red light beam on the mark.
- Switch off the laser beam when completed the cut.

Adjusting the Cutting Depth

- I Adjust the cutting depth to the thickness of the work-piece. Less than a full tooth of the blade teeth should be visible below the workpiece.
- I Loosen wing bolt(Fig.1). For a smaller cutting depth, pull the machine from the base plate; for a larger cutting depth, push the machine toward the base plate.
- I Adjust the desired cutting depth at the cutting-depth scale. (Fig.2)
- I Tighten wing bolt again.

When setting the cutting depth, use the reference mark to the side of the cutting-depth scale.

Original Instructions



Fig.1



Fig.2

Adjusting the Cutting Angle

It is best to place the machine on the face side of the blade guard.

- I Loosen wing bolt. (Fig.1)
- I Tilt the saw side-wards.
- I Adjust the desired setting at the scale. (Fig.2)
- I Tighten wing bolt again.



Fig.1

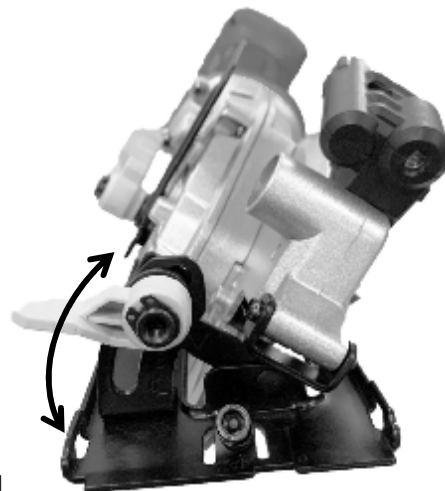


Fig.2

Note: For bevel-cuts, the cutting depth is smaller than the setting indicated on the cutting-depth scale.

Working Advice

Protect saw blades against impact and shock.

Guide the machine evenly and with light feed in the cutting direction. Excessive feed significantly reduces the service life of the saw blade and can cause damage to the power tool.

Original Instructions

Sawing performance and cutting quality depend essentially on the condition and the tooth form of the saw blade. Therefore, use only sharp saw blades that are suited for the material to be worked.

Sawing Wood

The correct selection of the saw blade depends on the type and quality of the wood and whether length way or crossway cuts are required.

When cutting spruce lengthways, long spiral chips are formed. Beech and oak dusts are especially detrimental to health. Therefore, work only with dust extraction.

Installing Parallel Guide

NOTE: The parallel guide enables exact cuts along a workpiece edge and cutting strips of the same dimension.

Release the lock screw for guide fence on the base plate(Fig.1) and set the guide fence in the guide fence slot.

Set a desired width(Fig.2) and retighten the lock screw for the guide fence.



Fig.1

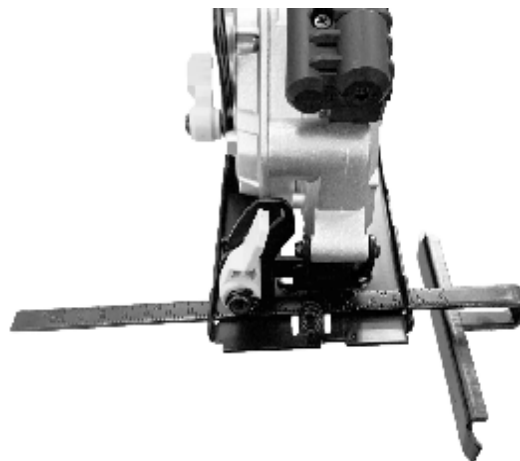


Fig.2

Switching On and Off

To start the machine

First push the lock-off button (a) for the On/Off switch (b).

Then press the On/Off switch (b) and keep it pressed.

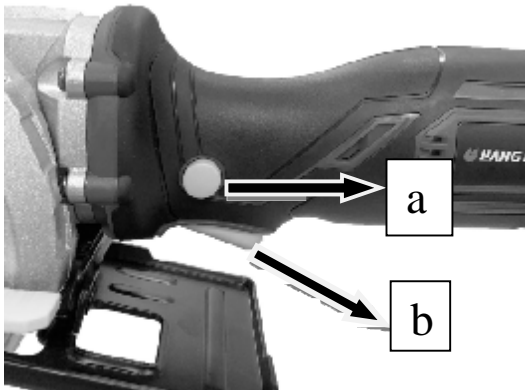
When cut the wood, put the machine on the workpiece and push it along the wood.

To switch off the machine

First take out of the machine from workpiece.

Then release the On/Off switch (b).

Original Instructions



Note: For safety reasons, the On/Off switch cannot be locked; it must remain pressed during the entire operation.

CLEANING AND MAINTENANCE

Danger!

Always pull out the mains power plug before starting any cleaning work.

Cleaning

Keep all safety devices, air vents and the motor housing free of dirt and dust as far as possible. Wipe the equipment with a clean cloth or blow it with compressed air at low pressure. • We recommend that you clean the device immediately each time you have finished using it.

Clean the equipment regularly with a moist cloth and some soft soap. Do not use cleaning agents or solvents; these could attack the plastic parts of the equipment. Ensure that no water can seep into the device. The ingress of water into an electric tool increases the risk of an electric shock.

Maintenance

There are no parts inside the equipment which require additional maintenance.

STORING

Store the machine, operating instructions and where necessary the accessories in the original packaging. In this way you will always have all the information and parts ready to hand.

Pack the device well or use the original packaging in order to avoid transit damage.

Always keep the machine in dry place.

Original Instructions

Disposal



Electronic devices are recyclable waste and must not be disposed of in the household waste. At the end of its service life, dispose of the product according to the relevant statutory regulations.



Remove any rechargeable battery, if necessary, and dispose of it separately from the product.

You thus fulfil your statutory obligations and contribute to environmental protection.

Original Instructions

Exceltools.co.uk
Sales@exceltools.co.uk