

EXCEL

18V Cordless hedge trimmer & grass shear

11786/GS-L0118



INSTRUCTION MANUAL

Original Instructions

DESCRIPTION OF SYMBOLS

Symbols are used in this manual to attract your attention to possible risks. The safety symbols and the explications which accompany them must be perfectly understood. The warning themselves do not prevent the risks and can not be a substitute for proper methods of avoiding accidents.



This symbol, before a safety comment, indicates a precaution, a warning or a danger. Ignoring this warning can lead to an accident for your self or for others. To limit the risk of injury, fire, or electrocution always apply there commendations indicated.



Warning: Read instruction manual.



Do not expose to rain.



Warning! Cutting means continue to run after the motor is switched off. Keep hands away from blades.



Danger of injury from flying parts! Always maintain a sufficiently safe distance. Beware of thrown objects. Keep bystanders away.



Wear eye protection, ear protection and gloves when using the product.

Original Instructions



Noise output level LWA

IPX1

Degree of protection against water: IPX1.



The shrub shears must not be used together with the telescopic handle.

On battery



Do not expose the battery to water



Do not expose the battery to fire or incinerate



Do not expose the battery to high temperatures (above 40°C)

On charger



Class II machine – Double insulation – You don't need any earthed plug.



Use this device indoors only.

GENERAL SAFETY WARNINGS



WARNING! Read all safety warnings and all instructions. *Failure to follow the warnings and instructions may result in electric shock, fire and/or serious injury.*

Save all warnings and instructions for future reference.

The term "power tool" in the warnings refers to your mains-operated (corded) power tool or battery-operated (cordless) power tool.

1) Work area safety

- a) **Keep work area clean and well lit.** *Cluttered or dark areas invite accidents.*
- b) **Do not operate power tools in explosive atmospheres, such as in the presence of flammable liquids, gases or dust.** *Power tools create sparks which may ignite the dust or fumes.*
- c) **Keep children and bystanders away while operating a power tool.** *Distractions can cause you to lose control.*

2) Electrical safety

- a) **Power tool plugs must match the outlet. Never modify the plug in any way. Do not use any adapter plugs with earthed (grounded) power tools.** *Unmodified plugs and matching outlets will reduce risk of electric shock.*
- b) **Avoid body contact with earthed or grounded surfaces, such as pipes, radiators, ranges and refrigerators.** *There is an increased risk of electric shock if your body is earthed or grounded.*
- c) **Do not expose power tools to rain or wet conditions.** *Water entering a power tool will increase the risk of electric shock.*
- d) **Do not abuse the cord. Never use the cord for carrying, pulling or unplugging the power tool. Keep cord away from heat, oil, sharp edges or moving parts.** *Damaged or entangled cords increase the risk of electric shock.*
- e) **When operating a power tool outdoors, use an extension cord suitable for outdoor use.** *Use of a cord suitable for outdoor use reduces the risk of electric shock.*
- f) **If operating a power tool in a damp location is unavoidable, use a residual current device (RCD) protected supply.** *Use of an RCD reduces the risk of electric shock.*

3) Personal safety

- a) **Stay alert, watch what you are doing and use common sense when operating a power tool. Do not use a power tool while you are tired or under the influence of drugs, alcohol or medication.** *A moment of inattention while operating power tools may result in serious personal injury.*
- b) **Use personal protective equipment. Always wear eye protection.** *Protective equipment such as dust mask, non-skid safety shoes, hard hat, or hearing protection used for appropriate conditions will reduce personal injuries.*

Original Instructions

- c) **Prevent unintentional starting. Ensure the switch is in the off-position before connecting to power source and/or battery pack, picking up or carrying the tool.** *Carrying power tools with your finger on the switch or energizing power tools that have the switch on invites accidents.*
- d) **Remove any adjusting key or wrench before turning the power tool on.** *A wrench or a key left attached to a rotating part of the power tool may result in personal injury.*
- e) **Do not overreach. Keep proper footing and balance at all times.** *This enables better control of the power tool in unexpected situations.*
- f) **Dress properly. Do not wear loose clothing or jewellery. Keep your hair, clothing and gloves away from moving parts.** *Loose clothes, jewellery or long hair can be caught in moving parts.*
- g) **If devices are provided for the connection of dust extraction and collection facilities, ensure these are connected and properly used.** *Use of dust collection can reduce dust-related hazards.*

4) Power tool use and care

- a) **Do not force the power tool. Use the correct power tool for your application.** *The correct power tool will do the job better and safer at the rate for which it was designed.*
- b) **Do not use the power tool if the switch does not turn it on and off.** *Any power tool that cannot be controlled with the switch is dangerous and must be repaired.*
- c) **Disconnect the plug from the power source and/or the battery pack from the power tool before making any adjustments, changing accessories, or storing power tools.** *Such preventive safety measures reduce the risk of starting the power tool accidentally.*
- d) **Store idle power tools out of the reach of children and do not allow persons unfamiliar with the power tool or these instructions to operate the power tool.** *Power tools are dangerous in the hands of untrained users.*
- e) **Maintain power tools. Check for misalignment or binding of moving parts, breakage of parts and any other condition that may affect the power tool's operation. If damaged, have the power tool repaired before use.** *Many accidents are caused by poorly maintained power tools.*
- f) **Keep cutting tools sharp and clean.** *Properly maintained cutting tools with sharp cutting edges are less likely to bind and are easier to control.*
- g) **Use the power tool, accessories and tool bits etc. in accordance with these instructions, taking into account the working conditions and the work to be performed.** *Use of the power tool for operations different from those intended could result in a hazardous situation.*

5) Battery tool use and care

- a) **Recharge only with the charger specified by the manufacturer.** *A charger that is suitable for one type of battery pack may create a risk of fire when used with another battery pack.*

Original Instructions

- b) **Use power tools only with specifically designated battery packs.** *Use of any other battery packs may create a risk of injury and fire.*
- c) **When battery pack is not in use, keep it away from other metal objects, like paper clips, coins, keys, nails, screws or other small metal objects, that can make a connection from one terminal to another.** *Shorting the battery terminals together may cause burns or a fire.*
- d) **Under abusive conditions, liquid may be ejected from the battery; avoid contact. If contact accidentally occurs, flush with water. If liquid contacts eyes, additionally seek medical help.** *Liquid ejected from the battery may cause irritation or burns.*

6) Service

- a) **Have your power tool serviced by a qualified repair person using only identical replacement parts.** *This will ensure that the safety of the power tool is maintained.*

Hedge trimmer safety warnings:

- **Keep all parts of the body away from the cutter blade. Do not remove cut material or hold material to be cut when blades are moving. Make sure the switch is off when clearing jammed material.** *A moment of inattention while operating the hedge trimmer may result in serious personal injury.*
- **Carry the hedge trimmer by the handle with the cutter blade stopped. When transporting or storing the hedge trimmer always fit the cutting device cover.** *Proper handling of the hedge trimmer will reduce possible personal injury from the cutter blades.*
- **Hold the power tool by insulated gripping surfaces only, because the cutter blade may contact hidden wiring.** *Cutter blades contacting a "live" wire may make exposed metal parts of the power tool "live" and could give the operator an electric shock.*

SPECIAL SAFETY WARNING FOR GRASS SHEARS

Children should be supervised to ensure that they do not play with the appliance.

- The machine shall be used in a covered and dry area. The ambient temperature shall be included between 15°C and 30°C. The humidity level shall be less than 60%.
- Warning: Harmful and toxic dusts can be produced when you use the tool on hazardous materials. These dusts can endanger the health of operator and bystanders. Always wear a dust mask when you work, keep bystanders away from the working area and always use the dust collection system.
- Check the hedge for foreign objects, e.g. wire fences.
- Hold the hedge trimmer properly, e.g. with both hands if two handles are provided.
- Children should not play with the appliance.

The battery is non-replaceable.

Original Instructions

**IMPORTANT
READ CAREFULLY BEFORE USE
KEEP FOR FUTURE REFERENCE**

Safe operation practices

1. Training

- a) Read the instructions carefully. Be familiar with the controls and the correct use of the machine.
- b) Never allow children, persons with reduced physical, sensory or mental capabilities or lack of experience and knowledge or people unfamiliar with these instructions to use the machine, local regulations may restrict the age of the operator.
- c) Keep in mind that the operator or user is responsible for accidents or hazards occurring to other people or their property.

2. Preparation

Before use, check the supply and extension cord for signs of damage or aging. If the cord becomes damaged during use, disconnect the cord from the supply immediately.

DO NOT TOUCH THE CORD BEFORE DISCONNECTING THE SUPPLY.

Do not use the appliance if the cord is damaged or worn.

- a) Before use, always visually inspect the machine for damaged, missing or misplaced guards or shields.
- b) Never operate the machine while people, especially children, or pets are nearby.

3. Operation

- a) Wear eye protection and stout shoes at all times while operating the machine.
- b) Avoid using the machine in bad weather conditions especially when there is a risk of lightning.
- c) Use the machine only in daylight or good artificial light.
- d) Never operate the machine with damaged guards or shields or without guards or shields in place.
- e) Switch on the motor only when the hands and feet are away from the cutting means.
- f) Always disconnect the machine from the power supply (i.e. remove the plug from the mains remove the disabling device or removable battery)
 - whenever the machine is left unattended,
 - before clearing a blockage,
 - before checking, cleaning or working on the machine,
 - after striking a foreign object,
 - whenever the machine starts vibrating abnormally.

Original Instructions

- g) Take care against injury to feet and hands from the cutting means.
- h) Always ensure that the ventilation openings are kept clear of debris.
- i) In case of accident or breakdown immediately stop the machine.
- j) Protect the power tool against heat, e.g. against continuous intense sunlight, fire, water and moisture. Danger of explosion.
- k) Do not open the machine. There is danger of explosion when short-cutting the battery.
- l) In case of damage and improper use of the battery, vapours may be emitted. Ventilate the area and seek medical help in case of complaints. The vapours can irritate the respiratory system.
- m) If the battery becomes defective, liquid can escape and come into contact with adjacent components. Check any parts concerned. Clean such parts or replace them, if required.

INTENDED USE

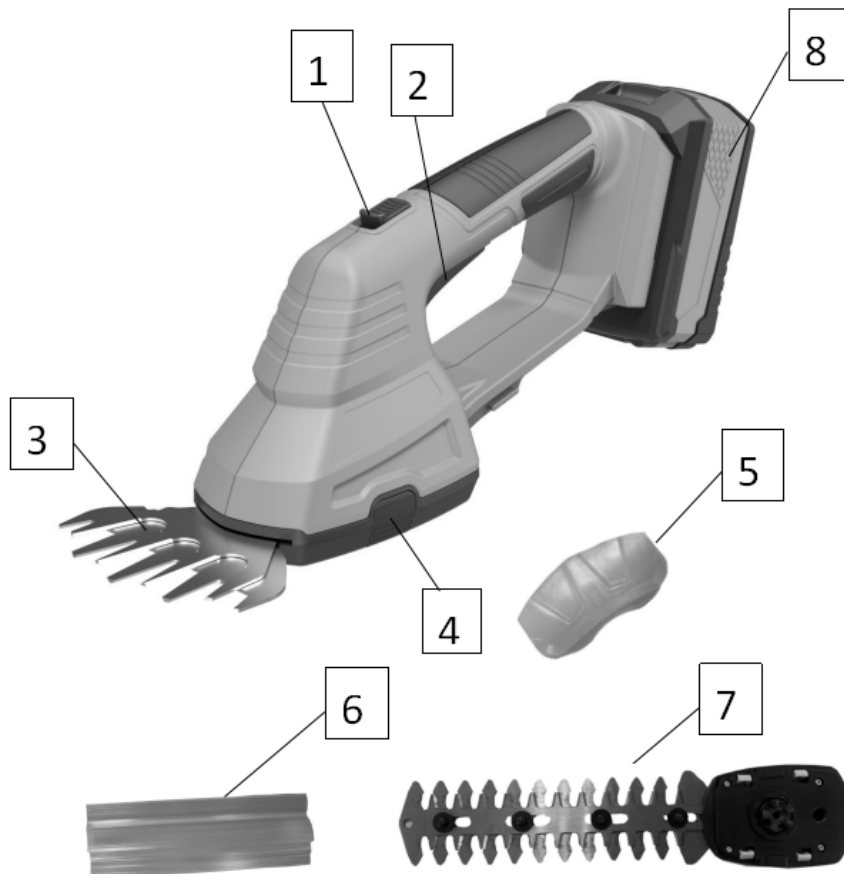
Important! This product is intended for light trimming of shrubs, hedges and lawn edges. Please note that this tool is not designed for commercial, trade or industrial use.

BEFORE USE

The battery charger supplied matches the lithium battery installed in the trimming shears, and you must not use any other charger to recharge the trimming shears. To protect the lithium battery against deep discharging, when the battery is flat the tool will automatically switch off via a protective circuit. The blade will stop moving and a slight whistling sound will be heard.

If the On/Off switch is used continually, the lithium battery can be damaged.

DESCRIPTION OF PARTS



1.Safety lock-off	2.ON/OFF button
3.Grass cutter blade	4.Blade release mechanism
5.Grass Blade guard	6.Pruning Blade guard
7.Shrub cutter blade	8.Battery pack(excluded)

TECHNICAL DATA

Type:	GS-L0118
Rated voltage	1200rpm
Hedge trimmer cutting length	200m
Hedge trimmer teeth distance	8mm
Grass shear cutting width	100mm
Hedge trimmer sound pressure(L _{pA}):	63.2 dB(A) K=3 dB(A)
Hedge trimmer sound power (L _{WA}):	83.2 dB(A) K=3 dB(A)
Hedge trimmer Vibration a _{hV}	2.6 m/s ² Uncertainty k=1.5 m/s ²
Grass shear sound pressure(L _{pA}):	61.6 dB(A) K=3 dB(A)
Grass shear sound power (L _{WA}):	81.6 dB(A) K=3 dB(A)
Vibration a _{hV}	≤2.5 m/s ² Uncertainty k=1.5 m/s ²
Guaranteed (L _{WA}):	87 dB(A)
Battery and Charger	
Recommended battery	a)BA-1820B,Li-ion 18V d.c. 2.0Ah
	b)BA-1850B,Li-ion 18V d.c. 5.0Ah
Recommended charger	1. Model : CH-1802A Input : 100-240V~ 50Hz 60W Output : 20V DC 2.3A Charging time : a)60MIN b)140MIN
	2. Model :CH-1802B Input : 100-240V~ 50Hz 125W Output : 20VDC, 5A Charging time : a)30MIN b)70MIN
	3. Model :CH-1802D Input : 100-240V~ 50Hz 130W Output : 20VDC, 2.3AX2, USB×2, 5VDC MAX 2A Charging time : a)60MIN b)140MIN

Noise / Vibration Information

Measured sound values determined according to EN 50636-2-94:2014.

Vibration total values (triax vector sum) determined according to EEN 50636-2-94:2014:

The vibration emission level given in this information sheet has been measured in accordance with a standardised test given in EN 50636-2-94:2014 and may be used to compare one tool with another.

It may be used for a preliminary assessment of exposure.

Original Instructions

The declared vibration emission level represents the main applications of the tool. However if the tool is used for different applications, with different accessories or poorly maintained, the vibration emission may differ. This may significantly increase the exposure level over the total working period.

An estimation of the level of exposure to vibration should also take into account the times when the tool is switched off or when it is running but not actually doing the job.

This may significantly reduce the exposure level over the total working period.

Identify additional safety measures to protect the operator from the effects of vibration such as: maintain the tool and the accessories, keep the hands warm, organization of work patterns

To reduce noise and vibration:

Wear ear-muffs to reduce noise generation and vibration to a minimum!

- Use only equipment that is in perfect condition.
- Maintain and clean the equipment regularly.
- Adopt your way of working to the equipment.
- Do not overload the equipment.
- Have the equipment checked if necessary.
- Switch off the equipment when not in use.
- Wear gloves

CHARGING PROCEDURE

Battery charger (Fig.1)

The lithium-ion battery can be charged at any time and will not develop a “memory” when charged after only a partial discharge. It is not necessary to run down the battery pack charge before recharging. Remove the battery pack from the tool when convenient for you and your job. You can “top-off” your battery pack’s charge before starting a big job or long period of use.

Due to lithium-ion’s fade-free properties, the only time it is necessary to charge the lithium-ion battery pack is when the pack has reached the end of its charge. To signal the end of charge, power to the tool will drop quickly. Charge the battery pack as needed.

Fig.1



CH-1802A

CH-1802B

CH-1802D

Original Instructions

a. Charging the battery

This lithium-ion battery pack is shipped partially charged. Before using it the first time, fully charge the battery pack. A fully discharged battery pack with a temperature between 5°C and 35°C will charge in about 30-140MIN(See section"Specifications").

CH-1802A:

- Plug the charger adapter into power source. The green light on the charger stand will illuminate, indicating the charger is powered.
- Slide the battery all the way into the charger stand until it locks in place with a click. The red light on the charger stand will illuminate, indicating that the battery is charging.
- The red light will go off after charging is complete and a green light will appear.
-

CH-1802B/CH-1802D:

See the manual of CH-1802B/CH-1802D

NOTE: Batteries may become warm while charging. This is normal. If the battery is hot after continuous use in the tool, allow it to cool down to room temperature before charging. This will extend the life of your batteries.

WARNING: Always disconnect the battery pack from the tool before any assembly, adjustments or changing accessories.

a. Insertion and removal of rechargeable battery (Fig. 2)

Depress the battery-release button located on the front of the battery pack to release battery pack.

Pull the battery pack out and remove it from the tool.



Fig.2

Warning!

Always remove the battery pack before making adjustments to the equipment.

Be sure to read the following information before you put the cordless equipment into operation: • Charge the battery pack with the charger. An empty battery pack requires a charging period of approximately 0.5 to 1 hour.

Original Instructions

Unpacking

- Open the packaging and remove the device care-fully.
- Remove the packaging material as well as the packaging and transport bracing (if available).
- Check that the delivery is complete.
- Check the device and accessory parts for trans-port damage.

ATTENTION

The device and packaging materials are not toys! Children must not be allowed to play with plastic bags, film and small parts, there is a risk of swallowing and suffocation.

BEFORE USE

Before starting any work, all protective and safety devices must be in place.

- The machine has been designed to be operated by one person.
- The operator is responsible for third parties in the area of operations.
- All safety and hazard notices on the machine must be observed.
- All safety and hazard notices on the machine must be kept in a completely legible condition.
- Use a device in a technically flawless condition only, as well as for its intended purpose, in a safe manner and being aware of dangers, in compliance with the operating instructions!
- Disruption which can affect safety in particular must be eliminated straight away!
- The manufacturer's safety, operation and maintenance instructions as well as the technical data given in the calibrations and dimensions must be adhered to.
- Relevant accident prevention regulations and other generally recognized safety and technical rules must also be adhered to.
- The machine may only be used, maintained or repaired by trained persons who are familiar with the machine and have been informed about the dangers. Unauthorized modifications of the machine exclude a liability of the manufacturer for damages resulting from the modification.
- The machine is intended for use only with original spare parts and original tools from the producer.
- Any other use is considered to be not intended. The manufacturer excludes any liability for resulting damages, the risk is exclusively borne by the user.
- The device must not be used for commercial, technical or industrial applications.
- If you are not sure whether working conditions are safe or unsafe, do not work with the machine.
- The lawn mower is intended for private use i.e. for use in home and gardening environments. Private use of the lawn mower refers an annual operating time generally not exceeding that of 50 hours, during which time the machine is primarily used to maintain small-scale, residential lawns and home/ hobby gardens. Public facilities, sporting halls, and agricultural/forestry applications are excluded.

Original Instructions

Important! Due to the high risk of bodily injury to the user, the lawn mower may not be used to trim bushes, hedges or shrubs, to cut scaling vegetation, planted roofs, or balcony-grown grass, to clean (suck up) dirt and debris off walkways. Or to chop up tree or hedge clippings. Moreover, the lawn mower may not be used as a power cultivator to level out high areas such as molehills.

- For safety reasons, the lawn mower may not be used as a drive unit for other work tools or toolkits of any kind.

In addition to the safety instructions in this operating manual and the separate regulations of your country, the generally recognized technical rules for operating woodworking machines must also be observed.

We accept no liability for accidents or damage that occur due to a failure to observe this manual and the safety instructions.

Before starting the equipment

Mounting blade(FIG.3)

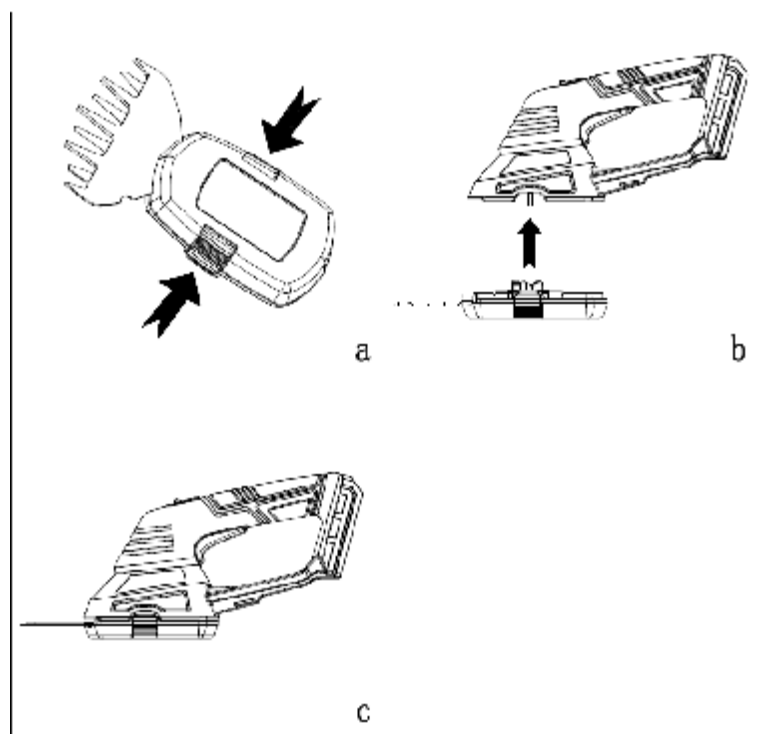


Fig.3

First, press and hold the left and right buttons on the blade fixing plate (Figure 3a).

Slowly approach the blade and align it with the body (Figure 3b). When you hear a "click" to indicate that the blade has been installed, release the button, as shown in Figure 3c. The installation steps of the pruning blade are also the same as above.

Important!

It is prohibited to remove or bridge any of the switching elements installed on the tool by the manufacturer (e.g. by securing a button to the handle) as this

Original Instructions

would prevent the tool from switching off automatically and result in high risk of injury.

Under no circumstances are you to use the shrub cutter with the telescopic long handle fitted.

Operation

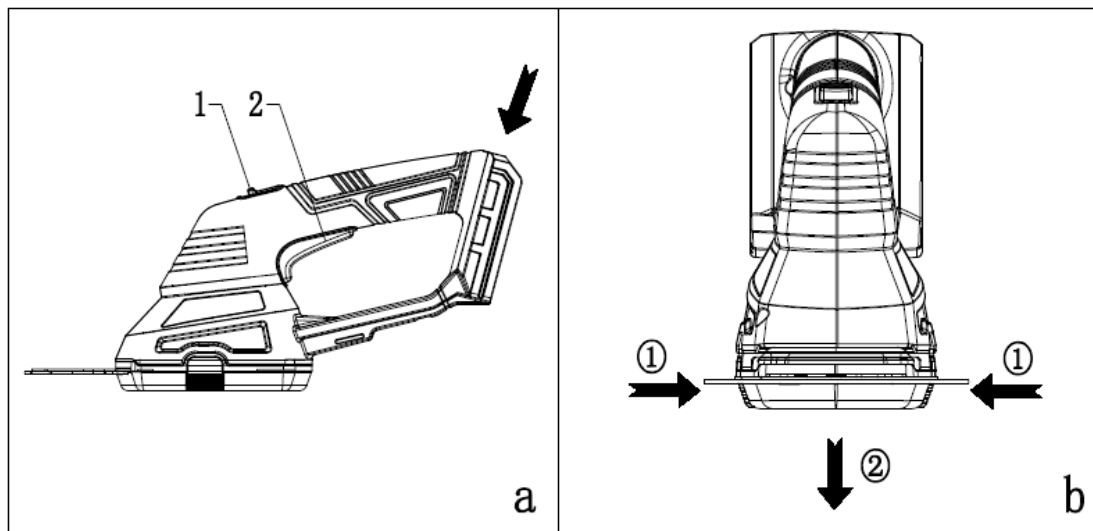


Fig.4

The area to be cut must first be cleared of stones and other solid objects.

The safety lock-off (Fig.4a / Item 1) prevents the tool being started unintentionally.

Insert the 18V lithium battery into the body in the direction indicated by the arrow (Fig.4a). First push the lock button forward (Fig.4a / item 1), then press the switch (Fig.4a / item 2), the machine will start to work.

To turn off the tool, release the switch (Fig.4a / item 2).

Cutting grass

Allow the grass cutter to glide above the ground. The best results are achieved when the lawn is dry.

Trimming hedges

The tool can be used to trim small hedges and shrubs. Hold the tool slightly tilted in relation to the hedge you want to cut. First cut the sides from the bottom up, then cut the top. Watch out for foreign objects in or on the hedge which could damage the blades.

When is the best time to trim hedges?

- As a general rule, hedges which lose their leaves in the autumn should be trimmed in June and October.
- Hedges which do not lose their leaves should be cut in April and August.

Original Instructions

When you notice a drop in cutting performance, re-charge the tool immediately so that the battery does not become fully discharged.

Changing the blades Caution! Risk of injury!

First make sure the machine is turned off, then press the left and right buttons of the blade fixing plate(Fig.4b / item 1), slowly pull out the blade assembly(Fig.4b / item 2). To assemble the blade, please refer to the steps in 5.1.

Caution!

Before taking the blade assembly, please make sure the user is wearing the protective glove.

Cleaning, maintenance and ordering of spare parts

Cleaning

- Keep all safety devices, air vents and the motor housing free of dirt and dust as far as possible. Wipe the equipment with a clean cloth or blow it with compressed air at low pressure.
- We recommend that you clean the device immediately each time you have finished using it.
- Clean the equipment regularly with a moist cloth and some soft soap. Do not use cleaning agents or solvents; these could attack the plastic parts of the equipment. Ensure that no water can seep into the device.
 - A few drops of oil (e.g. sewing machine oil) will improve the cutting performance of the blades, but never apply any grease to the blades.
 - To ensure constant exact cutting it is also important to remove grass remnants and dirt from between the upper and lower blade.

Important!

Never clean the tool under running water - and particularly never with high pressure - because of the potential danger to persons and property. Keep your cordless grass cutter and hedge trimmer in a dry and frost proof place. Choose a place that children are unable to enter.

Disposal



Electronic devices are recyclable waste and must not be disposed of in the household waste. At the end of its service life, dispose of the product according to the relevant statutory regulations.



Remove any rechargeable battery, if necessary, and dispose of it separately from the product.

You thus fulfil your statutory obligations and contribute to environmental protection.

Exceltools.co.uk
Sales@exceltools.co.uk