

EXCEL

18V Cordless Blower

11785/GB-L0218



INSTRUCTION MANUAL

DESCRIPTION OF THE SYMBOLS

Symbols are used in this manual to attract your attention to possible risks. The safety symbols and the explications which accompany them must be perfectly understood. The warning themselves do not prevent the risks and cannot be a substitute for proper methods of avoiding accidents.



Before any use, refer to the corresponding paragraph in the present manual.



Warning! Beware of thrown objects hit by cutting attachments. Never use without properly mounted blade guard. Keep bystanders away.



Don't use your device in moisty weather.



Take the replaceable battery from the appliance before any extension, cleaning and servicing works.



Wear safety goggles and ear-muffs!



Complies with relevant EU regulations.

Original Instructions



Sound power level



Recycle unwanted materials instead of disposing of them as waste. All tools, hoses and packaging should be sorted, taken to the local recycling centre and disposed of in an environmentally safe way.

On battery



Do not expose the battery to water



Do not expose the battery to fire or incinerate



Do not expose the battery to high temperatures (above 40°C)

On charger



Class II machine – Double insulation – You don't need any earthed plug.



Use this device indoors only.

SAFE OPERATING PRACTICES FOR HAND-HELD GARDEN BLOWERS.

IMPORTANT

**READ CAREFULLY BEFORE USE.
KEEP FOR FUTURE REFERENCE.**

1) Training

- a) Read the instructions carefully. Be familiar with the controls and the proper use of the appliance.
- b) Never allow children, persons with reduced physical, sensory or mental capabilities or lack of experience and knowledge or people unfamiliar with these instructions to use the machine. Local regulations may restrict the age of the operator.
- c) Keep in mind, that the operator or user is responsible for accidents or hazards occurring to other people or their property.

2) Preparation

- a) Obtain ear protection and safety glasses. Wear them at all times while operating the machine.
- b) While operating the machine always wear substantial footwear and long trousers. Do not operate the machine when barefoot or wearing open sandals. Avoid wearing clothing that is loose fitting or that has hanging cords or ties.
- c) Do not wear loose clothing or jewellery that can be drawn into the air inlet. Keep long hair away from the air inlets.
- d) Operate the machine in a recommended position and only on a firm, level surface.
- e) Do not operate the machine on a paved or gravel surface where ejected material could cause injury.
- f) Before using, always visually inspect to see, that fasteners are secure, the housing is undamaged and that guards and screens are in place. Replace worn or damaged components in sets to preserve balance. Replace damaged or unreadable labels.
- g) Never operate the machine while people, especially children, or pets are nearby.

3) Operation

- a) Keep your face and body away from the blowing opening.
- b) Do not allow hands or any other part of the body or clothing inside the blowing opening, discharge chute, or near any moving part.
- c) Keep proper balance and footing at all times. Do not overreach. Never stand at a higher level than the base of the machine. Always be sure of your footing on slopes. Walk, never run.
- d) Always stand clear of the discharge zone when operating this machine.

Original Instructions

- e) If the machine should start making any unusual noise or vibration, immediately shut off the power source and allow the machine to stop. Remove battery and take the following steps before restarting and operating the machine:
 - i) inspect for damage;
 - ii) replace or repair any damaged parts;
 - iii) check for and tighten any loose parts.
- f) Do not allow processed material to build up in the discharge zone; this may prevent proper discharge and can result in kickback of material through the intake opening.
- g) If the machine becomes clogged, shut-off the power source and disconnect the machine from supply before cleaning debris.
- h) Never operate the machine with defective guards or shields, or without safety devices, for example the front tube in place.
- i) Keep the power source clean of debris and other accumulations to prevent damage to the power source or possible fire.
- j) Do not transport this machine while the power source is running.
- k) Always remove the battery:
 - whenever the machine is left by the user.
 - Before clearing a blockage.
 - Before checking, cleaning or working on the machine.
 - After striking a foreign object to inspect the machine for damage.
 - If the machine starts to vibrate abnormally, for immediately check.

4) Maintenance and storage

- a) When the machine is stopped for servicing, inspection, or storage, or to change an accessory, shut off the power source, remove battery and make sure that all moving parts are come to a complete stop. Allow the machine to cool before making any inspections, adjustments, etc. Maintain the machine with care and keep it clean.
- b) Store the machine in a dry place out of the reach of children.
- c) Always allow the machine to cool before storing.
- d) Replace worn or damaged parts for safety. Use only genuine replacement parts and accessories.
- e) Never attempt to override the interlocked feature of the guard.
- f) Have your machine by a qualified repair person using only identical replacement parts. This will ensure that the safety of the machine is maintained.
- g) Do not to touch moving hazardous parts before battery is removed and the moving hazardous parts have come to a complete stop

5) Recommendations

Avoid using the machine in bad weather conditions especially when there is a risk of lightning.

OTHER SAFETY INSTRUCTIONS

- a) Make sure all the parts assembled fully and properly before use.
- b) To prevent dust irritation the wearing of a face mask is recommended.
- c) Operate the appliance only in daylight or in good artificial light.
- d) Keep all cooling air inlets clear of debris.
- e) Never blow debris in the direction of bystanders and animals.
- f) Operate the machine only at reasonable hours – not early in the morning or late at night when people might be disturbed.
- g) Use rakes and brooms to loosen debris before blowing.
- h) Slightly damp surfaces in dusty conditions before blowing.
- i) Take care of all the children, all the other people and all the animals remain with more than 15 meters of the tool under operation, because there is a risk of projection of objects. It is necessary to insist that the other people present carry an ocular protection. If somebody approaches you, turn off the blower immediately.
- j) Keep all nuts, bolts and screws tight to be sure the machine is in safe working condition.
- k) Ensure that outside surface of the battery pack is clean and dry before connecting it to the charger.
- l) Ensure that the batteries are charged using the correct charger recommended by the manufacturer. Incorrect use can create a risk of electric shock, overheating or the leaking of corrosive liquid from the battery.
- m) Use power tools only with specifically designated battery packs. Use of any other battery packs may create a risk of injury and fire.
- n) When battery pack is not in use, keep it away from other metal objects, like paper clips, coins, keys, nails, screws or other small metal objects that can cause a bridging of contacts. Shorting the battery terminals together may cause burns or a fire.
- o) If there is an electrolyte leak, avoid any contact with the skin. In the event of a leak, wipe with a rag. If the liquid comes into contact with the skin, rinse abundantly with water. In the event of a reaction or contact with the eyes or mucous membranes, consult a doctor.
- p) Ensure that the appliance is properly switched off before inserting the battery into the appliance. Inserting a battery into a appliance while it is switched on can cause accidents.
- q) Dispose of batteries. Ensure that the battery is properly disposed of:
 - Do not throw it away
 - Do not to burn it
 - Do not throw it in a river
 - Dispose of it in the designated collection containers (ask your retailer)
- r) Protect the battery against heat and fire.
- s) Protect the battery against water and moisture.
- t) Protect the battery against temperatures above 45°C.
- u) Do not dismantle, open or shred batteries.

Original Instructions

- v) Do not expose batteries to heat or fire. Avoid storage in direct sunlight.
- w) Do not subject battery to mechanical shock.
- x) Keep battery out of the reach of children.
- y) The battery gives its best performance when it is operated at temperature (20°C ±5°C).

1) Work area safety

- a) **Keep work area clean and well lit.** Cluttered or dark areas invite accidents.
- b) **Do not operate power tools in explosive atmospheres, such as in the presence of flammable liquids, gases or dust.** Power tools create sparks which may ignite the dust or fumes
- c) **Keep children and bystanders away while operating a power tool.** Distractions can cause you to lose control.

2) Electrical safety

- a) **Keep the battery garden tools away from rain and moisture.** Water entering a cordless battery garden tool increases the risk of an electric shock.

3) Personal safety

- a) **Be alert, be careful what you are doing, and use common sense when operating a power tool. Do not use a power tool while you are tired or under the influence of drugs, alcohol or medication.** A moment of inattention while operating power tools may result in serious personal injury.
- b) **Prevent unintentional starting. Ensure the switch is in the off-position before connecting to power source and/or battery pack, picking up or carrying the tool.** Carrying power tools with your finger on the switch or energizing power tools that have the switch on invites accidents.
- c) **Remove any adjusting key or wrench before turning the power tool on.** A wrench or a key left attached to a rotating part of the power tool may result in personal injury.
- d) **If dust extraction and collection devices can be mounted, make sure that they are connected and used properly.** Using a dust extraction unit can reduce hazards caused by dust.

4) Power tool use and care

- a) **Do not force the power tool. Use the correct power tool for your application.** The correct power tool will do the job better and safer at the rate for which it was designed.
- b) **Do not use the power tool if the switch does not turn it on and off.** Any power tool that cannot be controlled with the switch is dangerous and must be repaired.
- c) **Store idle power tools out of the reach of children and do not allow persons unfamiliar with the power tool or these instructions to operate the power tool.** Power tools are dangerous in the hands of untrained users.

- d) Treat battery garden tools carefully. Check whether the moving parts work perfectly and do not drag, whether not broken or damaged to such an extent that functioning of the tools could be affected. Have any damaged parts repaired before using the machine.** Many accidents are caused by poorly maintained power tools.
- e) Use the power garden tool, accessories and tool bits etc. in accordance with these instructions, taking into account the working conditions and the work to be performed.** Use of the power tool for operations different from those intended could result in a hazardous situation.

Ensure that all handles and safety equipment are installed when using the device. Never attempt to use an incomplete tool or one with an impermissible modification. Always familiarize yourself with your environment and pay attention to possible hazards that you may not hear due to the noise from the device.

Avoid using the device if people, especially children, are in the vicinity.

Allow the battery cool down and recharging after use for long time and the battery temperature is high. High temperature battery would be self-protected and not charge.

Wear protective glasses and ear protectors. Further, wearing head, hand and leg protection equipment is recommended. Suitable protective clothing minimizes the risk of injury by thrown-away wood chips and possible contact with working parts.

Keep the handles dry, clean and free of oil and grease. Greasy, oily handles are slippery and result in a loss of control.

Wait until the tool has come to a standstill before setting it down.

During interruptions to work, never leave the device unattended and store it in a safe location.

Always switch off the tools when transporting it to another site of work.

Never attempt to put a tool into operation if it is not fully assembled, or if unapproved modifications have been made to it.

Only operate the device in the technical condition specified and as supplied by the manufacturer. Any liability of the manufacturer for damages resulting from unauthorized changes to the device is excluded.

Spare parts must comply with the requirements specified by the manufacturer. Therefore only use original spare parts or spare parts approved by the manufacturer.

Original Instructions

When replacing parts, please observe the installation instructions provided and remove the battery beforehand.

When working with the device, hold it firmly with hands and hold it away from your body. Before starting the device, make sure that the blowing device is not touching anything.

Keep children and other persons including animals in a safe distance when using the appliance. Minimum safe distance is 10 m.

Provide adequate lighting or good lighting conditions when working with the machine.

Do not wear loose clothing or jewels. Hair, clothing and gloves must be out of reach of moving parts as they could get caught by the rotating parts. Do not use the appliance when barefooted or in open sandals.


During appliance operation, it is necessary to take a safe and firm posture, especially when steps or a ladder are being used.

Walk! Do not run!

Switch the appliance immediately off and remove the replaceable battery from the appliance when the tools blocked. Remove the blocked object.

Before starting the device, ensure that the blowing unit is not touching anything.

Make sure the appliance is off before inserting a battery.


 It is strictly prohibited to demount, adjust and alienate the protective equipment on the machine or put other protective equipment on the machine.

 Do not use the appliance if damaged or the safety equipment is defective.

Replace any worn and damaged parts.

Do not use the device near flammable liquids or gases.

Risk of fire and explosion in case of short circuit.

 **Warning!** This tool generates an electromagnetic field during operation. This field can impair active or passive medical implants under certain conditions. In order to prevent the risk of serious or deadly injuries, we recommend that persons with medical implants consult with their physician and the manufacturer of the medical implant prior to operating the tool.

SAFETY WARNING FOR BLOWER

- a. Do not put any object into openings. Do not use with any opening blocked; keep free of dust, lint, hair, and anything that may reduce air flow.
- b. Keep hair, loose clothing, fingers, and all parts of body away from openings and moving parts.
- c. Use extra care when cleaning on stairs.
- d. Do not use to pick up flammable or combustible liquids, such as gasoline, or use in areas where they may be present.
- e. Remove all hard objects from work area. Do not blow debris in the direction of people, animals or property.
- f. Use only accessories provided. Keep guards in place and in working order.
- g. Maintain labels and nameplates on the appliance. These carry important safety information.
- h. People with pacemakers should consult their physician(s) before use. Electromagnetic fields in close proximity to heart pacemaker could cause pacemaker interference or pacemaker failure.
- i. The warnings, precautions, and instructions discussed in this instruction manual cannot cover all possible conditions and situations that may occur. It must be understood by the operator that common sense and caution are factors which cannot be built into this product, but must be supplied by the operator.

SAFETY INSTRUCTION FOR BATTERY CHARGER

⚠ WARNING! Read all safety warnings and all instructions. Failure to follow the warnings and instructions may result in electric shock, fire and/or serious injuries. Save all warnings and instructions for future reference. Before using the battery charger, read and follow:

- these operating instructions,
- the currently valid site rules and the regulations for the prevention of accidents. This charger is not intended for use by children and persons with physical, sensory or mental limitations or a lack of experience or knowledge. This charger can be used by children aged 8 or older and by persons who have physical, sensory or mental limitations or a lack of experience or knowledge if they have been supervised or instructed in the safe operation of the charger and understand the associated dangers. Otherwise, there is a danger of operating errors and injuries. Supervise children. This will ensure that children do not play with the charger.
- Cleaning and user maintenance of the battery charger shall not be made by children without supervision.
- If the supply cord is damaged, it must be replaced by the manufacturer, its service agent or similarly qualified persons in order to avoid a hazard.
- **Keep the battery charger away from rain or moisture.** Penetration of water in the battery charger increases the risk of an electric shock.
- **Keep the battery charger clean.** Contamination can lead to danger of an electric shock.
- **Before each use, check the battery charger, cable and plug. If damage is detected, do not**

use the battery charger. Never open the battery charger yourself. Have repairs performed only by a qualified technician and only using original spare parts.

Damaged battery chargers, cables and plugs increase the risk of an electric shock.

- **Do not place any objects on the battery charger and do not place the battery charger on soft surfaces. This is a risk of fire.**
- **Always check that the mains voltage matches the voltage indicated on the rating plate of the battery charger.**
- **Never use the charger if cable, plug or the unit itself has been damaged by external influences.** Take the charger to the nearest service centre.
- **Never open the battery charger.**

SAFETY INSTRUCTION FOR BATTERY

a) Recharge only with the charger specified by the manufacturer. A charger that is suitable for one type of battery pack may create a risk of fire when used with another battery pack.

b) Use power tools only with specifically designated battery packs. Use of any other battery packs may create a risk of injury and fire.

c) When battery pack is not in use, keep it away from other metal objects, like paper clips, coins, keys, nails, screws or other small metal objects, that can make a connection from one terminal to another. Shorting the battery terminals together may cause burns or a fire.

d) Under abusive conditions, liquid may be ejected from the battery; avoid contact. If contact accidentally occurs, flush with water. If liquid contacts eyes, additionally seek medical help. Liquid ejected from the battery may cause irritation or burns.

e) Have your power tool serviced by a qualified repair person using only identical replacement parts. This will ensure that the safety of the power tool is maintained.

WARNING! During the use of tools supplied with batteries, the basic safety measures must be followed in order to reduce fire hazards, electrolyte leakage and personal injury, including the following precautions:

- Ensure that the battery block is suitable for the tool.
- Ensure that outside surface of the battery block is clean and dry before connecting it to the charger.
- Ensure that the batteries are charged using the correct charger recommended by the manufacturer. Incorrect use can create a risk of electric shock, overheating or the leaking of corrosive liquid from the battery.
- If there is an electrolyte leak, avoid any contact with the skin. In the event of a leak, wipe with a rag. If the liquid comes into contact with the skin, rinse abundantly with water. In the event of a reaction or contact with the eyes or mucous membranes, consult a doctor.
- Ensure that the appliance is properly switched off before inserting the battery into the appliance. Inserting a battery into an appliance while it is switched on can cause accidents.
- Use the appliance only with the type of battery indicated in the instructions. Using another type of battery can create a serious risk of injury and cause a fire.
- When the battery is not in use, keep it away from metal objects such as trombones, coins, keys or other small metal objects that can create a connection between one terminal and the other. Short-circuiting the terminals of batteries can cause burns to the user and cause a fire.
- Dispose of batteries. Ensure that the battery is properly disposed of:

Original Instructions

- 1- Do not throw it away
- 2- Do not to burn it
- 3- Do not throw it in a river
- 4- Dispose of it in the designated collection containers (ask your retailer)

INTENDED USE

This is blower only function. It is designed for use in private and hobby gardens is regarded as unsuitable for use in public facilities, parks and sports centers, along roadways, or in agriculture and forestry. The operating instructions as supplied by the manufacturer must be kept and referred to in order to ensure that the equipment is properly used and maintained.

The equipment may be used only for the tasks it is designed to handle. Any other use is deemed to be a case of misuse. The user/operator and not the manufacturer will be liable for any damage or injuries of any kind resulting from such misuse.

Please note that our equipment has not been designed for use in commercial, trade or industrial applications. Our warranty will be voided if the equipment is used in commercial, trade or industrial businesses or for equivalent purposes.

Remaining hazards

The machine has been built using modern technology and in accordance with recognized safety rules. Some hazards, however, may still remain.

- Wear regulation safety equipment such as safety boots and tight work clothing.
- Electrical hazards exist when unsuitable electric connections are used.
- Although having regarded all considerable rules there may still remain not obvious remaining hazards.
- Minimize remaining hazards by following the instructions in "Safety Rules", "Use only as authorized" and in the entire operating manual.

TECHNICAL DATA

Product name	18V Cordless blower
Model	GB-L0218
Rated voltage	18Vd.c.
No-load speed	13000/min ⁻¹
Max.Air Volume	570m ³ /h
Motor speed	16000/min ⁻¹
Noise	94dB
Sound pressure LpA	76,3dB(A)
Sound power LwA	90,9dB(A)
Uncertainty KwA	3 dB(A)
Vibration ah	0,49m/s ²
K uncertainty	1,5 m/s ²
Battery and Charger	

Original Instructions

Recommended battery	BA-1850B Li-ion 18V d.c. 5.0Ah
Recommended charger	Model : CH-1802A Input : 100-240V~ 50Hz 60W Output : 20V DC 2.3A Charging time : 140MIN
	Model :CH-1802B Input : 100-240V~ 50Hz 125W Output : 20VDC, 5A Charging time : 70 MIN
	Model :CH-1802D Input : 100-240V~ 50Hz 130W Output : 20VDC, 2.3AX2, USB × 2, 5VDC MAX 2A Charging time : 140MIN

Noise and Vibration Information

Measured sound values determined according to EN 50636-2-100:2014.

The noise figures quoted are emission levels and are not necessarily safe working levels. Whilst there is a correlation between the emission and exposure levels, this cannot be used reliably to determine whether or not further precautions are required. Factors that influence the actual level of exposure of work-force include the characteristics of the work room, the other sources of noise, etc. i.e. the number of machines and other adjacent processes, and the length of time for which an operator is exposed to the noise. Also the permissible exposure level can vary from country. This information, however, will enable the user of the machine to make a better evaluation of the hazard and risk.

CAUTION: Wear hearing protection!

Vibration total values (triax vector sum) determined according to EN 50636-2-100:2014.

The vibration emission level given in this information sheet has been measured in accordance with a standardized test given in EN 50636-2-100:2014 and may be used to compare one tool with another.

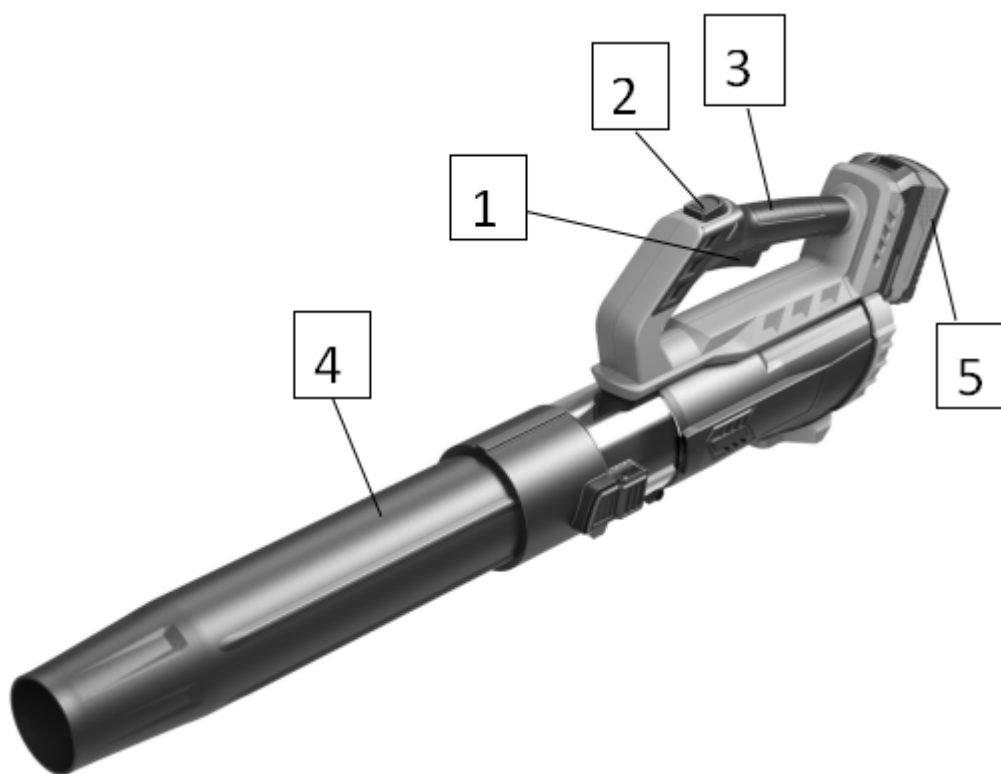
It may be used for a preliminary assessment of exposure.

The declared vibration emission level represents the main applications of the tool. However if the tool is used for different applications, with different accessories or poorly maintained, the vibration emission may differ. This may significantly increase the exposure level over the total working period.

An estimation of the level of exposure to vibration should also take into account the times when the tool is switched off or when it is running but not actually doing the job. This may significantly reduce the exposure level over the total working period.

Identify additional safety measures to protect the operator from the effects of vibration such as: maintain the tool and the accessories, keep the hands warm, organization of work patterns.

LIST OF MAIN PART (Fig. 1)



1. ON/OFF trigger switch	2. Turbo button
3. Handle	4. Blower tube
5. Battery(excluded)	

Original Instructions

Before using the equipment

Battery charger (Fig.1)

The lithium-ion battery can be charged at any time and will not develop a “memory” when charged after only a partial discharge. It is not necessary to run down the battery pack charge before recharging. Remove the battery pack from the tool when convenient for you and your job. You can “top-off” your battery pack’s charge before starting a big job or long period of use.

Due to lithium-ion’s fade-free properties, the only time it is necessary to charge the lithium-ion battery pack is when the pack has reached the end of its charge. To signal the end of charge, power to the tool will drop quickly. Charge the battery pack as needed.



CH-1802A



CH-1802B



CH-1802D

a. Charging the battery

This lithium-ion battery pack is shipped partially charged. Before using it the first time, fully charge the battery pack. A fully discharged battery pack with a temperature between 5°C and 35°C will charge in about 70-140MIN(See section”Specifications”).

CH-1802A:

- Plug the charger adapter into power source. The green light on the charger stand will illuminate, indicating the charger is powered.
- Slide the battery all the way into the charger stand until it locks in place with a click. The red light on the charger stand will illuminate, indicating that the battery is charging.
- The red light will go off after charging is complete and a green light will appear.

CH-1802B/CH-1802D:

See the manual of CH-1802B/CH-1802D

NOTE: Batteries may become warm while charging. This is normal. If the battery is hot after continuous use in the tool, allow it to cool down to room temperature before charging. This will extend the life of your batteries.

WARNING: Always disconnect the battery pack from the tool before any assembly, adjustments or changing accessories.

b. Insertion and removal of rechargeable battery (Fig. 2)

Depress the battery-release button located on the front of the battery pack to release battery pack.

Pull the battery pack out and remove it from the tool.



Fig. 2

Warning!

Always remove the battery pack before making adjustments to the equipment.

Be sure to read the following information before you put the cordless equipment into operation:

- Charge the battery pack with the charger. An empty battery pack requires a charging period of approximately 0.5 to 2 hour.

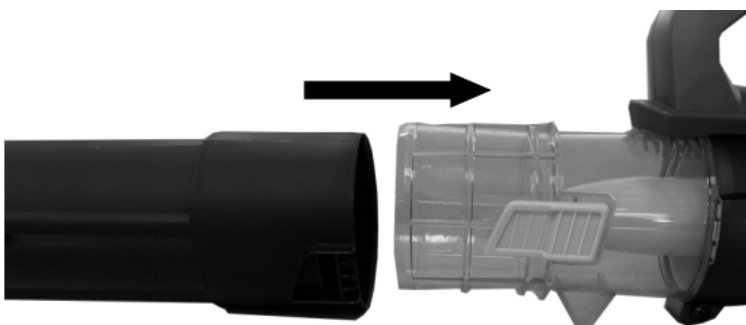
ASSEMBLY



WARNING: Switch off and remove battery from machine before adjusting or cleaning!

Installing the blower tube

Fit the blower tube to the motor housing. Check the blower tube is firmly secured.



Note: Before disassembling the blower tube, be sure the variable speed trigger is on off position.

Original Instructions

Press the release button, so that you can separate the tube. Do not try to separate the tubes by force or by using tools.



OPERATION

Turbo button(2):

A function of increase in airflow "turbo", is used only on occasions when leaves and trash is stuck or when the normal airflow is not sufficient. In most cases, normal airflow is sufficient. An increase in airflow is used mainly for brief measures.

Switching on

- I Hold the blower with one hand on the control handle(3)-wrap your thumb around the handle.
- I Pull the trigger(1) with your index finger and hold it there. The blower accelerates and air flows from the nozzle.

Switching off

To switch off, release the variable speed trigger. No air flows from the nozzle.

Using the blower

Holding and Controlling the Blower

Hold and control the blower with one hand on the control handle - wrap your thumb around the handle.

Point the nozzle at the ground, walk slowly and steadily forwards.

MAINTENANCE & STORING

⚠ CAUTION: Before putting away or cleaning, switch off and remove the battery pack.

Cleaning

- Regular cleaning and maintenance of your blower will ensure efficiency and prolong the life of your machine. During operation, keep the air slots clean and free of debris.
- Damaged parts have to be repaired or replaced by an authorized service department before you can work with the device
- Use only the manufacturer's recommended replacement parts and accessories. Using other components can lead to fire
- Use the device only with batteries and chargers intended for it.
- Do not use the charger if it is damaged.
- Keep all safety devices, air vents and the motor housing free of dirt and dust as far as possible. Wipe the equipment with a clean cloth or blow it down with compressed air at low pressure.
- We recommend that you clean the equipment immediately after you use it.
- Clean the equipment regularly with a damp cloth and some soft soap. Do not use cleaning agents or solvents; these may be aggressive to the plastic parts in the equipment. Ensure that no water can get into the interior of the equipment. The ingress of water into an electric tool increases the risk of an electric shock.
- Use a brush to remove deposits from the safety guard.
- When not in use, store the machine out of the reach of children

Maintenance

There are no other parts inside the equipment which require maintenance. Please note some parts of this product are subject to normal or natural wear and that the following parts are therefore also required for use as consumables.

Have your power tools serviced by a qualified repair person using only identical replacement parts. This will ensure that the safety of the power tool is maintained

Storage

- Store the device in a dry and frost-free (5-40 °C) place.
- Store the battery and the device separately from each other.
- Charge the battery before storing it for the winter.
- Keep the device, and its plastic components in particular, always free from brake fluid, petrol, products containing oil, penetrating oil etc. They contain chemical substances that may damage or destroy the plastic parts of the device.
- Fertilisers and other garden chemicals contain substances which can have a heavily corrosive effect on metal parts. Do not store the device close to these substances.

Original Instructions

Disposal



Electronic devices are recyclable waste and must not be disposed of in the household waste. At the end of its service life, dispose of the product according to the relevant statutory regulations.

Remove any rechargeable battery, if necessary, and dispose of it separately from the product.

You thus fulfil your statutory obligations and contribute to environmental protection.

Exceltools.co.uk

Sales@exceltools.co.uk