

EXCEL

18V Brushless Lawn Mower

11782



INSTRUCTION MANUAL

Original Instructions

DESCRIPTION OF SYMBOLS

Symbols are used in this manual to attract your attention to possible risks. The safety symbols and the explications which accompany them must be perfectly understood. The warning themselves do not prevent the risks and cannot be a substitute for proper methods of avoiding accidents.



Before any use, read instruction manual and safety instructions before starting up and pay attention!



Keep bystanders away.



Cutting knife continues to rotate for a while after the motor is switched off.
Turn off the train switch before cleaning or leaving it unattended for a period of time



These symbols indicate the requirement of wearing eye protection, ear protection and gloves when using the product.
Wear slip-resistant footwear when using the device.



Don't expose to rain.



Complies with relevant EU regulations.



Sound power level

Original Instructions



On a slope, do not mow uphill or downhill.



Before operating the lawn mower, remove lawn debris which may be ejected by the blade.



Switch off and disconnect battery before cleaning/maintenance or if extension cord is damaged or entangled.



Take the replaceable battery from the appliance before any extension, cleaning and servicing works



ATTENTION! Do not let your hands or feet come in contact with the blades.

IPX4

Degree of protection against water: IPX4



Recycle unwanted materials instead of disposing of them as waste. All tools, hoses and packaging should be sorted, taken to the local recycling centre and disposed of in an environmentally safe way.

On battery

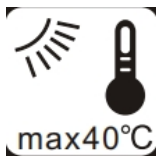


Do not expose the battery to water

Original Instructions



Do not expose the battery to fire or incinerate



Do not expose the battery to high temperatures (above 40°C)

On charger



Class II machine – Double insulation – You don't need any earthed plug.



Use this device indoors only.

GENERAL SAFETY WARNINGS

IMPORTANT

READ CAREFULLY BEFORE USE.

KEEP FOR FUTURE REFERENCE.

I Children should be supervised to ensure that they do not play with the appliance.

Safe operating practices for electrically powered lawnmowers

1) Training

- a) Read the instructions carefully. Be familiar with the controls and the correct use of the machine.
- b) Never allow children or people unfamiliar with these instructions to use the machine. Local regulations can restrict the age of the operator.
- c) Never operate the machine while people, especially children, or pets are nearby.
- d) Keep in mind that the operator or user is responsible for accidents or hazards occurring to other people or their property.

2) Preparation

- a) While operating the machine always wear substantial footwear and long trousers. Do not operate the machine when barefoot or wearing open sandals. Avoid wearing clothing that is loose fitting or that has hanging cords or ties.
- b) Thoroughly inspect the area where the machine is to be used and remove all objects which can be thrown by the machine.
- c) Before using, always visually inspect to see that the blade, blade bolt and the blade assembly are not worn or damaged. Replace worn or damaged components in sets to preserve balance. Replace damaged or unreadable labels.
- d) Before use check the supply and extension cord for signs of damage or aging. If the cord becomes damaged during use, disconnect the cord from the supply immediately. **DO NOT TOUCH THE CORD BEFORE DISCONNECTING THE SUPPLY.** Do not use the machine if the cord is damaged or worn.

3) Operation

- a) Operate the machine only in daylight or in good artificial light.
- b) Avoid operating the machine in wet grass.
- c) Always be sure of your footing on slopes.
- d) Walk, never run.
- e) Mow across the face of slopes, never up and down.
- f) Exercise extreme caution when changing direction on slopes.
- g) Do not mow excessively steep slopes.
- h) Use extreme caution when reversing or pulling the machine towards you.

Original Instructions

- i) Stop the blade(s) if the machine has to be tilted for transportation when crossing surfaces other than grass, and when transporting the machine to and from the area to be used.
- j) Never operate the machine with defective guards or shields, or without safety devices, for example deflectors and/or grass collector, in place.
- k) Switch on the motor carefully according to instructions and with feet well away from the blade(s).
- l) Do not tilt the machine when switching on the motor, except if the machine has to be tilted for starting. In this case, do not tilt it more than absolutely necessary and lift only the part, which is away from the operator.
- m) Do not start the machine when standing in front of the discharge opening.
- n) Do not put hands or feet near or under rotating parts. Keep clear of the discharge opening at all times.
- o) Do not transport the machine while the power source is running.
- p) Stop the machine, and remove plug from the socket. Make sure that all moving parts have come to a complete stop.
 - whenever you leave the machine,
 - before clearing blockages or unclogging chute,
 - before checking, cleaning or working on the machine,
 - after striking a foreign object. Inspect the machine for damage and make repairs before restarting and operating the machine;
 - If the machine starts to vibrate abnormally (check immediately)
 - inspect for damage,
 - replace or repair any damaged parts,
 - check for and tighten any loose parts.

4) Maintenance and storage

- a) Keep all nuts, bolts and screws tight to be sure the machine is in safe working condition.
- b) Check the grass collector frequently for wear or deterioration.
- c) On machines with multi blade, take care as rotating one blade can cause other blades to rotate.
- d) Be careful during adjustment of the machine to prevent entrapment of the fingers between moving blades and fixed parts of the machine.
- e) Always allow the machine to cool down before storing.
- f) When servicing the blades be aware that, even though the power source is switched off, the blades can still be moved.
- g) Replace worn or damaged parts for safety. Use only genuine replacement parts and accessories.

INTENDED USE

This lawn mower has been designed for cutting grass. Any other use is not permitted.

The lawn mower for use in private gardens, that are primarily used for tending grass or lawn areas, but not in public facilities, parks or sports grounds and not for agricultural or forestry use, commercial purpose.

⚠ WARNING

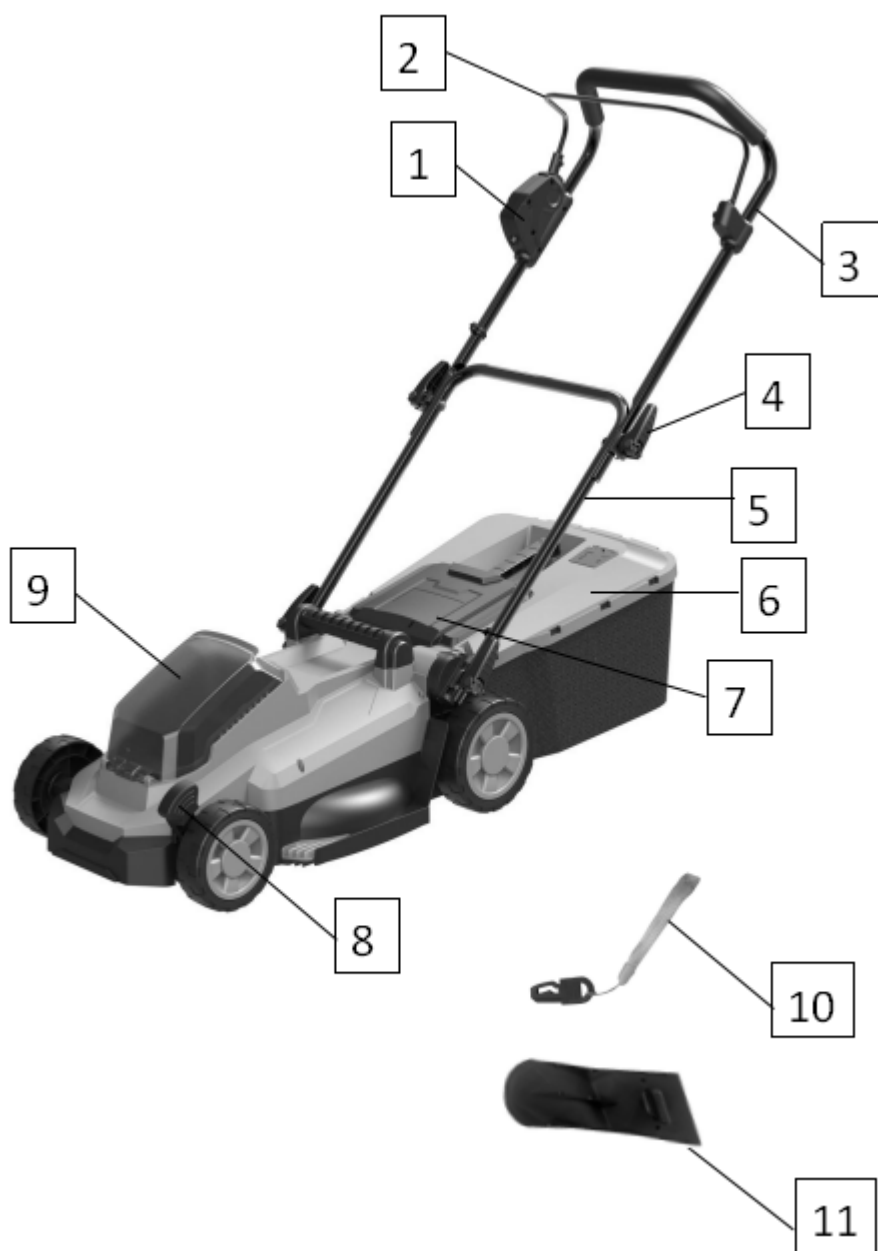
For your own safety, please thoroughly read this manual and the general safety instructions before turning the device on. If you give the device to third parties, always include these instructions.

⚠ Note:

According to the applicable product liability laws, the manufacturer of the device does not assume liability for damages to the product or damages caused by the product that occurs due to:

- Improper handling,
- Non-compliance of the operating instructions,
- Repairs by third parties, not by authorized service technicians,
- Installation and replacement of non-original spare parts, 90
- Application other than specified,
- A breakdown of the electrical system that occurs due to the non-compliance of the electric regulations and VDE regulations 0100, DIN 57113 / VDE0113.

DESCRIPTION OF PARTS



1.Safety lock button	2.Handlebar for engine brake
3.Upper handlebar	4.Quick fix knob
5.Lower handlebar	6.Grass collector
7.Discharge flaps	8.Height adjustment handle
9.Battery pack(excluded)	10.Safety key
11.Mulching plug	

TECHNICAL DATA

Type:	11782
No load speed:	2900/min-1
Max Cutting Length:	330mm
Cutting Height	5Levels(25-75mm)
Front/Rear Wheel	5.5"/6.5"
Gross Box Volume	30L
Sound emission(L _{WA}):	68,1dB(A) K=3dB(A)
Sound power (L _{WA}):	80,5dB(A) K=2,25dB(A)
Guaranteed (L _{WA}):	96dB(A)
Battery and Charger	
Recommended battery	11760,Li-ion 18V d.c. 5.0Ah
Recommended charger	Model : 11761 Input : 100-240V~ 50Hz 60W Output : 20V DC 2.3A Charging time : 140MIN
	Model :11763 Input : 100-240V~ 50Hz 125W Output : 20VDC, 5A Charging time : 70 MIN
	Model :11762 Input : 100-240V~ 50Hz 130W Output : 20VDC, 2.3AX2, USB×2, 5VDC MAX 2A Charging time : 140MIN

Noise / Vibration Information

Measured sound values determined according to EN 60335-2-77:2010.

Vibration total values (triax vector sum) determined according to EN 60335-2-77:2010:

The vibration emission level given in this information sheet has been measured in accordance with a standardised test given in EN 60335-2-77:2010 and may be used to compare one tool with another.

It may be used for a preliminary assessment of exposure.

The declared vibration emission level represents the main applications of the tool. However if the tool is used for different applications, with different accessories or poorly maintained, the vibration emission may differ. This may significantly increase the exposure level over the total working period.

Original Instructions

An estimation of the level of exposure to vibration should also take into account the times when the tool is switched off or when it is running but not actually doing the job.

This may significantly reduce the exposure level over the total working period. Identify additional safety measures to protect the operator from the effects of vibration such as: maintain the tool and the accessories, keep the hands warm, organization of work patterns

To reduce noise and vibration:

Wear ear-muffs to reduce noise generation and vibration to a minimum!

- Use only equipment that is in perfect condition.
- Maintain and clean the equipment regularly.
- Adopt your way of working to the equipment.
- Do not overload the equipment.
- Have the equipment checked if necessary.
- Switch off the equipment when not in use.
- Wear gloves

CHARGING PROCEDURE

Battery charger (Fig.1)

The lithium-ion battery can be charged at any time and will not develop a “memory” when charged after only a partial discharge. It is not necessary to run down the battery pack charge before recharging. Remove the battery pack from the tool when convenient for you and your job. You can “top-off” your battery pack’s charge before starting a big job or long period of use.

Due to lithium-ion’s fade-free properties, the only time it is necessary to charge the lithium-ion battery pack is when the pack has reached the end of its charge. To signal the end of charge, power to the tool will drop quickly. Charge the battery pack as needed.

Fig.1



a. Charging the battery

This lithium-ion battery pack is shipped partially charged. Before using it the first time, fully charge the battery pack. A fully discharged battery pack with a

Original Instructions

temperature between 5°C and 35°C will charge in about 70-140MIN(See section"Specifications").

11761:

- Plug the charger adapter into power source. The green light on the charger stand will illuminate, indicating the charger is powered.
- Slide the battery all the way into the charger stand until it locks in place with a click. The red light on the charger stand will illuminate, indicating that the battery is charging.
- The red light will go off after charging is complete and a green light will appear.

11763/11762:

See the manual of CH-1802B/CH-1802D

NOTE: Batteries may become warm while charging. This is normal. If the battery is hot after continuous use in the tool, allow it to cool down to room temperature before charging. This will extend the life of your batteries.

WARNING: Always disconnect the battery pack from the tool before any assembly, adjustments or changing accessories.

a. Insertion and removal of rechargeable battery (Fig. 2)

Depress the battery-release button located on the front of the battery pack to release battery pack.

Pull the battery pack out and remove it from the tool.



Fig.2

Warning!

Always remove the battery pack before making adjustments to the equipment. Be sure to read the following information before you put the cordless equipment into operation: • Charge the battery pack with the charger. An empty battery pack requires a charging period of approximately 0.5 to 1 hour.

Original Instructions

Unpacking

- Open the packaging and remove the device care-fully.
- Remove the packaging material as well as the packaging and transport bracing (if available).
- Check that the delivery is complete.
- Check the device and accessory parts for trans-port damage.

ATTENTION

The device and packaging materials are not toys! Children must not be allowed to play with plastic bags, film and small parts, there is a risk of swallowing and suffocation.

BEFORE USE

Before starting any work, all protective and safety devices must be in place.

- The machine has been designed to be operated by one person.
- The operator is responsible for third parties in the area of operations.
- All safety and hazard notices on the machine must be observed.
- All safety and hazard notices on the machine must be kept in a completely legible condition.
- Use a device in a technically flawless condition only, as well as for its intended purpose, in a safe manner and being aware of dangers, in compliance with the operating instructions!
- Disruption which can affect safety in particular must be eliminated straight away!
- The manufacturer's safety, operation and maintenance instructions as well as the technical data given in the calibrations and dimensions must be adhered to.
- Relevant accident prevention regulations and other generally recognized safety and technical rules must also be adhered to.
- The machine may only be used, maintained or repaired by trained persons who are familiar with the machine and have been informed about the dangers. Unauthorized modifications of the machine exclude a liability of the manufacturer for damages resulting from the modification.
- The machine is intended for use only with original spare parts and original tools from the producer.
- Any other use is considered to be not intended. The manufacturer excludes any liability for resulting damages, the risk is exclusively borne by the user.
- The device must not be used for commercial, technical or industrial applications.
- If you are not sure whether working conditions are safe or unsafe, do not work with the machine.
- The lawn mower is intended for private use i.e. for use in home and gardening environments. Private use of the lawn mower refers an annual operating time generally not exceeding that of 50 hours, during which time the

Original Instructions

machine is primarily used to maintain small-scale, residential lawns and home/hobby gardens. Public facilities, sporting halls, and agricultural/forestry applications are excluded.

Important! Due to the high risk of bodily injury to the user, the lawn mower may not be used to trim bushes, hedges or shrubs, to cut scaling vegetation, planted roofs, or balcony-grown grass, to clean (suck up) dirt and debris off walkways. Or to chop up tree or hedge clippings. Moreover, the lawn mower may not be used as a power cultivator to level out high areas such as molehills.

- For safety reasons, the lawn mower may not be used as a drive unit for other work tools or toolkits of any kind.

In addition to the safety instructions in this operating manual and the separate regulations of your country, the generally recognized technical rules for operating woodworking machines must also be observed.

We accept no liability for accidents or damage that occur due to a failure to observe this manual and the safety instructions.

LAWN MOWER ASSEMBLY

Handlebar(Fig.3, Fig.4)

Attach the lower handlebar (5) on the lawn mower and fix it with the quick fix knobs (4) in both sides. Do not overtighten the knobs!

Attach the upper handlebar (3) on the lower handlebar. Fasten with the quick fix knobs (4) in both sides.

Customize the cable and secure with cable clamp



Fig.3



Fig.4

Original Instructions

Assembly the grass collector: Fig.5

Click the frame to the grass collector.



Fig.5

Mounting the grass collector: Fig.6

Attach the grass collector behind the lawn mower under the rear deflector guard.



Fig. 6

Original Instructions

Mulching plug: Fig.7

Insert the mulching plug (13), if you want to mow with mulching functionality. Don't use the grass collector



Fig.7

Important: Remember to remove the mulching plug, when using the grass collector.

Operation

Safety key (Fig.8)

The motor unit has a safety key, which is placed under the battery cover. If the safety key is removed, the power is disconnected, and it cannot start.



Original Instructions

It is always recommended to remove the safety key:

- I When the lawn mower is left unattended (to prevent unintended start, e.g. by minors)
- I Before cleaning and maintenance
- I Before remove grass blockings

Remove the safety key, by pulling it out. Insert the safety key to start the motor. Place the key in the correct way!

Cutting height adjustment:(Fig.9)

The mower has 5 different heights. The cutting height ranges from 25 mm to 75mm

Warning! Do not change the cutting height until the motor has stopped and the battery has been removed. Before starting to mow, check that the cutting tools are not blunt and the fastening elements are not damaged. Replace blunt and/or damaged cutting tools so no imbalance is created.

Before checking this, turn the motor off and remove the safety plug. Push the cutting height adjustment lever outwards. Select the required cutting height by moving the lever right or left, then let the lever click into one of the slots. Ensure the lever clicks into position.



Fig.9

Start

Never start the mower directly on long grass.

Open the battery cover (9) on the motor unit, slide in the battery and click it in place.

Make sure the safety key is inserted.

Hold the start button (1) down and activate the handlebar for engine brake (2) to start the motor. Release startbutton once started.

Note: As long as operating the mower, the handlebar for engine brake must be engaged.

Stop:

Release the engine brake to turn off the mower and the engine

Note: The blades will still rotate at up to 3 seconds after stopping.

Remove the battery

To remove the battery, press and hold the latch button under the battery and pull it out.

Working time

The working time per full charge depends of several factors, like length of grass, cutting height and cutting methods (mulching or collection).

Variable motor-speed

The motor adjusts the blade-rotations to match the load (length and thickness of the grass). You will therefore hear that the motor-speed will go up/down while cutting the grass. This is perfectly normal and ensures a more energy-effective use of the power from the battery.

Emptying the catch basket(Fig.10)

The grass catcher box has a level indicator. This is opened by the air flow generated by the mower during operation. If the flap (A) closes during mowing, The grass catcher box is full and should be emptied. The holes under the flap must always be clean and passable for the level indicator to function properly. As soon as grass residues are left lying behind on the ground during mowing, the catch basket must be emptied.

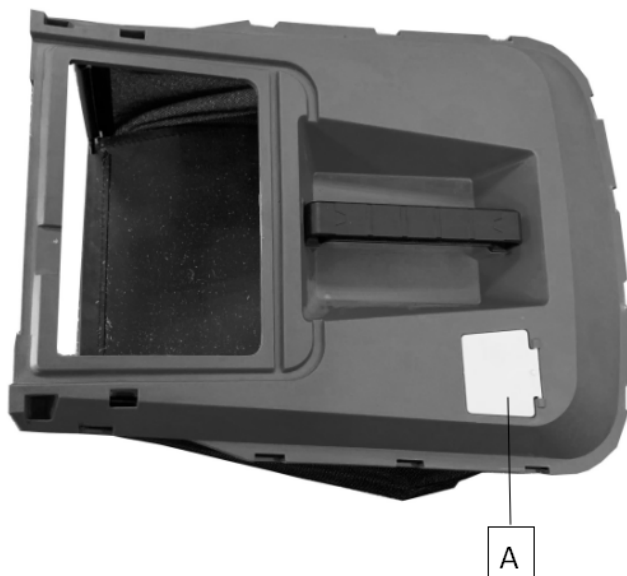


Fig.10

Working without a grass box

When you remove the grass box, the discharge flaps flicks down. When working without a grass box, the cut grass is ejected backwards.

Lawn care advice

Some advice so your lawn grows healthily and evenly:

- A lawn consists of different types of grass. If you cut frequently, grass that has strong roots and a firm grass cover will mainly grow. If you mow infrequently, tall grass and other weeds will grow (e.g. clover, daisies).
- The normal height of a lawn is around 4 - 5 cm. You should only cut a third of the overall height, i.e. 7 - 8 cm to the normal height.
- We recommend not cutting the lawn shorter than 4 cm because the grass cover can be damaged when it's dry.
- If the grass grows to an excessive height (e.g. after a holiday), cut it down to the normal height in phases.
- Always let the cutting lanes overlap a little.

Blade

Inspection of the blade

Tilt the mower with the front upwards.

Inspect blade for damage, cracks or excessive rust or corrosion.

Check that the blade bolt is tightened.

Note: A dull blade can be sharpened! But a blade that is worn, bent, cracked or otherwise damaged must be replaced.

Removing the blade: Fig.10

If you remove the blade to sharpen or replace it, you must use a torque wrench and some heavy gloves to protect your hands.

1. Loosen the blade bolt with the included tool. Use a piece of wood to prevent the blade from turning around.
2. Remove the bolt, washer, blade and blade holder in that order
3. Sharpen or replace the blade.
4. Insert the blade holder, blade, washer and bolt in that order.
5. Tighten the blade bolt with 25 Nm with the included tool. Use a piece of wood to prevent the blade from turning around.



Fig.10

Warning: A blade must be sharpened so it is in 100 % balance, otherwise it may cause vibrations that could damage the engine. Damage to engine due to faulty sharpening is not covered by warranty. We therefore recommend letting a service center sharpen the blade.

MAINTENANCE AND CARE

⚠ WARNING!

Remove the battery from the machine before any maintenance and repair work on the lawn mower. The cutting tools are sharp! Wear safety gloves.

Lawn mower

⚠ WARNING!

Regularly check the machine before starting work. Damaged parts must be repaired or replaced by an authorized service centre before you start work with the machine. Only ever use original accessories and spare parts. If possible, always clean the machine straight after mowing.

- Remove the battery.
- Remove the grass box.
- After every mowing, clean the lawn mower with a hand brush.
- Carefully remove grass residue from the cutting area. Loosen stuck grass residue with a wooden stick.
- Keep the ventilation slots clean and free from dust.
- Never use water to clean or spray the machine. Clean the motor casing with a damp cloth and never use detergents or solvents!

This may damage the machine's plastic parts. Carefully dry the motor casing afterwards.

- Check the condition of the blades.

Original Instructions

Grass catcher box

- You can use a hose to thoroughly clean the grass box.

Removing/sharpening the cutting blade

If the blades' cutting performance decreases, you can remove the blades and have them sharpened by a certified specialist. During assembly, thoroughly clean the area of contact of the flange and the blades.

Tighten the clamp screw firmly.



Spare parts must comply with requirements specified by the manufacturer. Therefore, only use original spare parts or spare parts approved by the manufacturer.

Repairs

Check the machine for damage. Have repairs carried out exclusively by a service centre authorised by the manufacturer.

STORAGE

Note

- Remove the security key before storing
- Store the device in a dry and frost-free (10-25 °C) place.
- Store the battery and the device separately from each other.
- Charge the battery before storing it for the winter.
- Keep the device, and its plastic components in particular, away from brake fluid, petrol, products containing oil, penetrating oil etc. They contain chemical substances that may damage or destroy the plastic parts of the device.
- Fertilisers and other garden chemicals contain substances which can have a heavily corrosive effect on metal parts. Do not store the device close to these substances.

Original Instructions

Transport

- When changing working areas, remove the battery from the lawn mower.
- The upper handle can be folded by loosening the two knob nuts. You can transport the lawn mower using the carrying handle.



Disposal and recycling

The equipment is supplied in packaging to prevent it from being damaged in transit. The raw materials in this packaging can be reused or recycled. The equipment and its accessories are made of various types of material, such as metal and plastic. Defective components must be disposed of as special waste. Ask your dealer or your local council.

Disposal



Electronic devices are recyclable waste and must not be disposed of in the household waste. At the end of its service life, dispose of the product according to the relevant statutory regulations.



Remove any rechargeable battery, if necessary, and dispose of it separately from the product.

You thus fulfil your statutory obligations and contribute to environmental protection.

Exceltools.co.uk
Sales@exceltools.co.uk