

EXCEL

CORDLESS NAIL GUN 18V

11755/NG-L0218



INSTRUCTION MANUAL

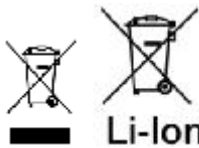
DESCRIPTION OF THE SYMBOLS



WARNING – To reduce the risk of injury, user must read instruction manual. Before any use, refer to the corresponding section in this user manual.



Complies with relevant European regulations



Li-Ion

The crossed-out wheeled bin symbol indicates that the item should be disposed of separately from household waste. The item should be handed in for recycling in accordance with local environmental regulations for waste disposal. By separating a marked item from household waste, you will help reduce the volume of waste sent to incinerators or land-fill and minimize any potential negative impact on human health and the environment.

On battery



Do not expose immerse the battery in or expose to water.



Do not expose battery to flame. They will explode and cause injury.



max40°C

Do not expose the battery to excessive heat more than 40 °C. Do not charge or stock the battery where the temperature is below 0° or more than 40 °C.



Recycling device.

On adapter



Read instruction manual before any use.



Class II transformer.



For indoor use only.

GENERAL POWER TOOL SAFETY WARNINGS



WARNING Read all safety warnings, instructions, illustrations and specifications provided with this

power tool. Failure to follow all instructions listed below may result in electric shock, fire and/or serious injury.

Save all warnings and instructions for future reference.

The term "power tool" in the warnings refers to your mains-operated (corded) power tool or battery-operated (cordless) power tool.

1. Work area safety

- a) **Keep work area clean and well lit.** Cluttered or dark areas invite accidents..
- b) **Do not operate power tools in explosive atmospheres, such as in the presence of flammable liquids, gases or dust.** Power tools create sparks which may ignite the dust or fumes.
- c) **Keep children and bystanders away while operating a power tool.** Distractions can cause you to lose control.

2. Electrical safety

- a) **Power tool plugs must match the outlet. Never modify the plug in any way. Do not use any adapter plugs with earthed (grounded) power tools.** Unmodified plugs and matching outlets will reduce risk of electric shock.
- b) **Avoid body contact with earthed or grounded surfaces, such as pipes, radiators, ranges and refrigerators.** There is an increased risk of electric shock if your body is earthed or grounded.
- c) **Do not expose power tools to rain or wet conditions.** Water entering a power tool will increase the risk of electric shock.

Original Instructions

- d) **Do not abuse the cord. Never use the cord for carrying, pulling or unplugging the power tool. Keep cord away from heat, oil, sharp edges or moving parts.** Damaged or entangled cords increase the risk of electric shock.
- e) **When operating a power tool outdoors, use an extension cord suitable for outdoor use.** Use of a cord suitable for outdoor use reduces the risk of electric shock.
- f) **If operating a power tool in a damp location is unavoidable, use a residual current device (RCD) protected supply.** Use of an RCD reduces the risk of electric shock.

NOTE: The term “residual current device (RCD)” can be replaced by the term “ground fault circuit interrupter (GFCI)” or “earth leakage circuit breaker (ELCB)”.

3. Personal safety

- a) **Stay alert, watch what you are doing and use common sense when operating a power tool. Do not use a power tool while you are tired or under the influence of drugs, alcohol or medication.** A moment of inattention while operating power tools may result in serious personal injury.
- b) **Use personal protective equipment. Always wear eye protection.** Protective equipment such as a dust mask, non-skid safety shoes, hard hat or hearing protection used for appropriate conditions will reduce personal injuries.
- c) **Prevent unintentional starting. Ensure the switch is in the off-position before connecting to power source and/or battery pack, picking up or carrying the tool.** Carrying power tools with your finger on the switch or energising power tools that have the switch on invites accidents.
- d) **Remove any adjusting key or wrench before turning the power tool on.** A wrench or a key left attached to a rotating part of the power tool may result in personal injury.
- e) **Do not overreach. Keep proper footing and balance at all times.** This enables better control of the power tool in unexpected situations.
- f) **Dress properly. Do not wear loose clothing or jewellery. Keep your hair and clothing away from moving parts.** Loose clothes, jewellery or long hair can be caught in moving parts.
- g) **If devices are provided for the connection of dust extraction and collection facilities, ensure these are connected and properly used.** Use of dust collection can reduce dust-related hazards.
- h) **Do not let familiarity gained from frequent use of tools allow you to become complacent and ignore tool safety principles.** A careless action can cause severe injury within a fraction of a second.

4. Power tool use and care

Original Instructions

- a) **Do not force the power tool. Use the correct power tool for your application.** The correct power tool will do the job better and safer at the rate for which it was designed.
- b) **Do not use the power tool if the switch does not turn it on and off.** Any power tool that cannot be controlled with the switch is dangerous and must be repaired.
- c) **Disconnect the plug from the power source and/or remove the battery pack, if detachable, from the power tool before making any adjustments, changing accessories, or storing power tools.** Such preventive safety measures reduce the risk of starting the power tool accidentally.
- d) **Store idle power tools out of the reach of children and do not allow persons unfamiliar with the power tool or these instructions to operate the power tool.** Power tools are dangerous in the hands of untrained users.
- e) **Maintain power tools and accessories. Check for misalignment or binding of moving parts, breakage of parts and any other condition that may affect the power tool's operation. If damaged, have the power tool repaired before use.** Many accidents are caused by poorly maintained power tools.
- f) **Keep cutting tools sharp and clean.** Properly maintained cutting tools with sharp cutting edges are less likely to bind and are easier to control.
- g) **Use the power tool, accessories and tool bits etc. in accordance with these instructions, taking into account the working conditions and the work to be performed.** Use of the power tool for operations different from those intended could result in a hazardous situation.
- h) **Keep handles and grasping surfaces dry, clean and free from oil and grease.** Slippery handles and grasping surfaces do not allow for safe handling and control of the tool in unexpected situations.

5. Battery tool use and care

- a) **Recharge only with the charger specified by the manufacturer.** A charger that is suitable for one type of battery pack may create a risk of fire when used with another battery pack.
- b) **Use power tools only with specifically designated battery packs.** Use of any other battery packs may create a risk of injury and fire.
- c) **When battery pack is not in use, keep it away from other metal objects, like paper clips, coins, keys, nails, screws or other small metal objects, that can make a connection from one terminal to another.** Shorting the battery terminals together may cause burns or a fire.
- d) **Under abusive conditions, liquid may be ejected from the battery; avoid contact. If contact accidentally occurs, flush with water. If**

Original Instructions

liquid contacts eyes, additionally seek medical help. Liquid ejected from the battery may cause irritation or burns.

- e) **Do not use a battery pack or tool that is damaged or modified.** Damaged or modified batteries may exhibit unpredictable behaviour resulting in fire, explosion or risk of injury.
- f) **Do not expose a battery pack or tool to fire or excessive temperature.** Exposure to fire or temperature above 130 °C may cause explosion.

NOTE The temperature „130 °C“ can be replaced by the temperature „265 °F“.

- g) **Follow all charging instructions and do not charge the battery pack or tool outside the temperature range specified in the instructions.** Charging improperly or at temperatures outside the specified range may damage the battery and increase the risk of fire.

6. Service

- a) **Have your power tool serviced by a qualified repair person using only identical replacement parts.** This will ensure that the safety of the power tool is maintained.
- b) **Never service damaged battery packs.** Service of battery packs should only be performed by the manufacturer or authorized service providers.

SAFETY INSTRUCTIONS FOR TACKERS

Secure the workpiece (a workpiece clamped with clamping devices or in a vice is held more securely than by hand).

Never push in the tacker head manually 4 (there is danger of injury when at the same time the trigger is activated unintentionally).

Never use the tool for fastening electrical wiring (contact with electrical wires can lead to fire and electric shock).

Avoid damage that can be caused by screws, nails and other elements in your workpiece; remove them before you start working.

In case of electrical or mechanical malfunction, immediately switch off the tool.

We can assure flawless functioning of the tool only when original accessories are used.

This tool should not be used by people under the age of 16 years.


Do not expose tool to rain.

EXTRA SAFETY REGULATIONS CONCERNING BATTERY

Original Instructions

- To ensure the longest battery life and best battery performance, always charge the battery when the temperature is between 18-24°C. Do not charge the battery pack when the temperature is below 0°C, or above 40°C. This is important. Failure to observe this safety rule could cause serious damage to the battery pack.
- Do not incinerate the battery pack even if it is seriously damaged or can no longer hold a charge. The battery pack can explode in a fire.
- A small leakage of liquid from the battery pack may occur under extreme usage or temperature. This does not necessarily indicate a failure of the battery pack. However, if the outer seal is broken and this leakage comes into contact with your skin:
 - ü Wash the affected area quickly with soap and water.
 - ü Flush your eyes with clean water for a minimum of 10 minutes and seek immediate medical attention.
- Never attempt to open the battery pack for any reason. If the plastic housing of the battery pack breaks open or cracks, immediately discontinue its use and do not recharge it.
- Do not store or carry a spare battery pack in a pocket or toolbox or any other place where it may come into contact with metal objects. The battery pack may be short circuited causing damage to the battery pack, burns or a fire. If storing or disposing the battery pack, cover the terminals with a heavy insulation tape to ensure short circuit cannot occur. Batteries, when stored for a long period of time, will discharge.
- Do not store or use the tool and battery pack in locations where the temperature may reach or exceed 40°C such as alongside sheds or metal structures in the summer.
- Allow the battery pack to cool down after charging. Do not place it in a hot environment such as a metal shed or open trailer left in the sun.
- Only charge the battery with the charger supplied.
- Do not place the battery near a fire or in a place where the temperature is high.
- Do not immerse the tool in water or any other liquid. This can damage the battery prematurely.
- When transporting batteries, make sure their contacts are protected and properly insulated materials that may come into contact with them and cause a short circuit.
- Store them in a cool, dry place, away from direct sunlight and excessively cold or hot temperatures.
- After prolonged period of disuse of the battery, recharge it before using it. The battery must be disposed of in a secure manner.

EXTRA SAFETY REGULATIONS CONCERNING BATTERY CHARGER

- This appliance can be used by children aged from 8 years and above and persons with reduced physical, sensory or mental capabilities or lack of experience and knowledge if they have been given supervision or instruction concerning use of the appliance in a safe way and understand the hazards involved.
Children shall not play with the appliance.
Cleaning and user maintenance shall not be made by children without supervision.
- For indoor use only
- Warning do not recharge non-rechargeable batteries.
- The external flexible cable of this transformer cannot be replaced; if the cord is damaged, discard the transformer
- Before using the charger, read all the instructions and cautionary markings on the charger and battery pack as well as the instructions on the battery pack.
- Only charge your battery pack indoors as the charger is designed for indoor use only.
- **DANGER:** If the battery pack is cracked or damaged in any other way, do not insert it in the charging base. There is a danger of electric shock or electrocution.
-  **WARNING:** Do not allow any liquid to come into contact with the charger. There is a danger of electric shock.
- The charger is not intended for any use other than charging the exact type of rechargeable battery pack as supplied with the charger. Any other use may result in the risk of fire, electric shock or electrocution.
- The charger and battery pack supplied with it are specifically designed to work together. Do not attempt to charge the battery pack with any other charger than the one supplied.
- Do not place any object on top of the charger as it could cause overheating. Do not place the charger near any heat source.
- Pull on the charger to disconnect it from the power source. Do not pull on the lead.
- Make sure that the charger lead is positioned where it will not be stepped on, tripped over or otherwise subjected to damage or stress.
- Do not use an extension cord unless it is absolutely necessary. The use of an improper extension cord could cause the risk of fire, electric shock or electrocution.
- Do not use the charger if it has been subjected to a heavy knock, dropped or otherwise damaged in any way. Take the charger to an authorized

Original Instructions

service centre for a check or repair.

- Do not disassemble the charger. Take it to an authorized service centre when service or repair is required. Incorrect re-assembly may result in the risk of fire, electric shock or electrocution.
- To reduce the risk of an electric shock, unplug the charger from the power supply before attempting to clean it. Removing the battery pack alone does not reduce the risk.
- The charger is designed for use from a standard household electrical supply. Do not attempt to connect the charger to a supply with a different voltage.
- Do not expose charger to water, rain, or snow.
- Never attempt to connect two chargers together.
- Never insert objects into the ventilation holes of the charger. This can cause electric shock or damage the charger.
- Unplug the charger from the outlet before cleaning. This reduces the risk of electric shock. Remove the battery will not reduce this risk.
- Never charge a battery already fully charged.

INTENDED USE

The machine is intended for tacking of cardboard, insulating material, fabric, foils, leather and similar materials on surfaces of wood or materials similar to wood. The machine is not suitable for the attachment of wall.

LED INDICATOR:

LED Functions of power tool, LED will be on to indicate status of power tool:

Power tool:

LED Red on = low battery

LED Red flashing = the nails/staples are jammed

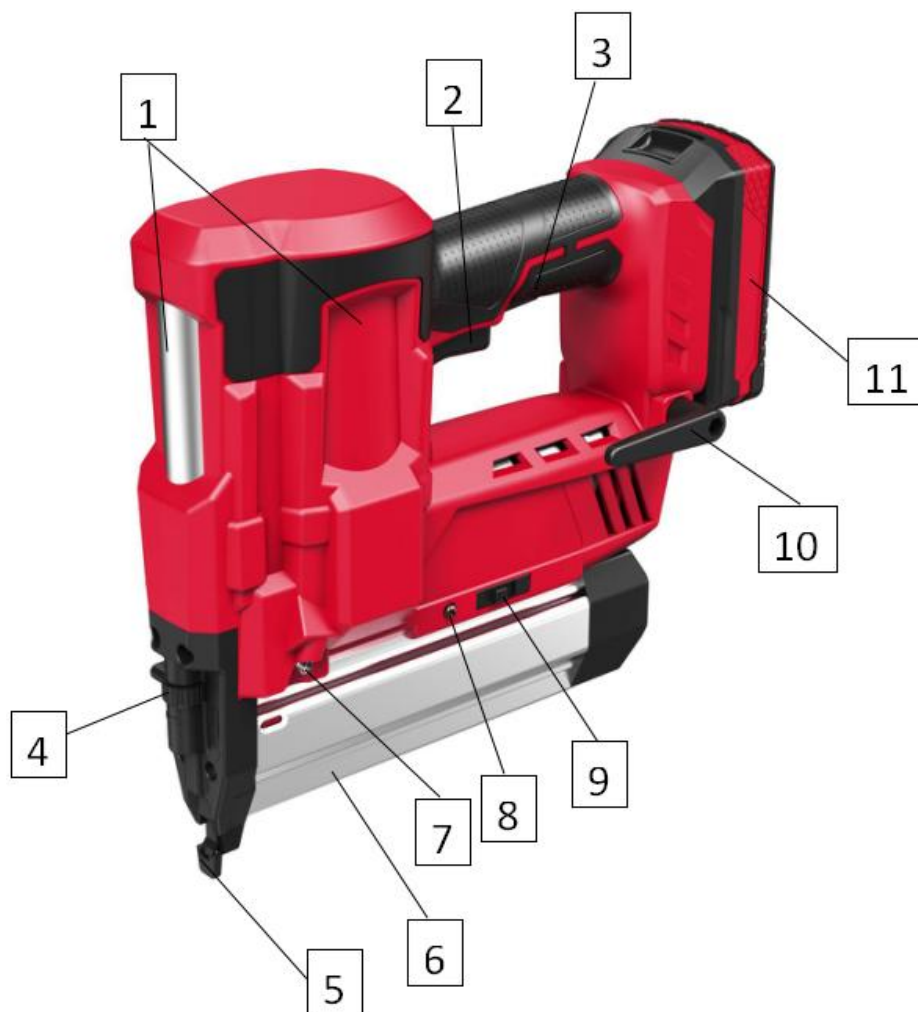
LED Green on = No nails, power tool in dry fire protection

LED Green flashing = Overheat, power tool in overheat protection

(The tool can not fire in this situation, return to work after it has cooled down)

LIST OF MAIN PARTS


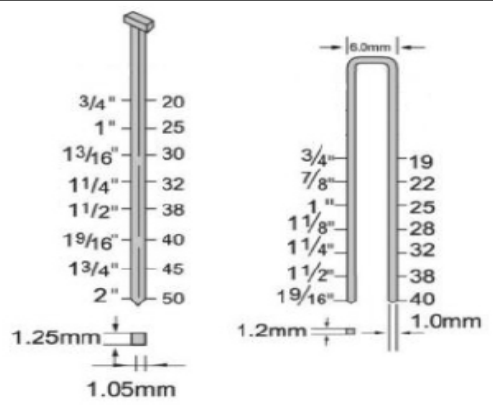
Original Instructions



1	Cylinder
2	Trigger
3	LED Lighting Switch
4	Depth Adjustment Wheel
5	Safety Contact Pin
6	Magazine
7	LED Lighting (two sides)
8	LED Indicator
9	Single/Contact Firing Knob
10	Belt Hook
11	Battery Pack(if included)

TECHNICAL SPECIFICATIONS

Original Instructions

Product description	18V Li-ion NAIL GUN
Rated voltage of battery	18V 
Firing Speed	Average 60nails/min, Max 100nails/min
Max Magazine Capacity	Holds up to 100nails/staples
Max length of Nails	50mm 18 Gauge Brad Nail
Max length of staples	40mm 18 Gauge light duty staple
	
Sound pressure level L_{pA} ($K_{pA}=3dB(A)$)	79,9dB
Sound power level L_{WA} ($K_{WA}=3dB(A)$)	90,9dB
Level of vibration a_h ($K=1.5m/s^2$)	1,39m/s ²
Battery and Charger	
Recommended battery	a)BA-1820B,Li-ion 18V d.c. 2.0Ah b)BA-1850B, Li-ion 18V d.c. 5.0Ah
Recommended charger	1. Model : CH-1802A Input : 100-240V~ 50Hz 60W Output : 20V DC 2.3A Charging time : a)60MIN b)140MIN
	2. Model :CH-1802B Input : 100-240V~ 50Hz 125W Output : 20VDC, 5A Charging time : a)30MIN b)70MIN
	3. Model :CH-1802D Input : 100-240V~ 50Hz 130W Output : 20VDC, 2.3AX2, USB×2, 5VDC MAX 2A Charging time : a)60MIN b)140MIN

NOISE/VIBRATION INFORMATION

Measured sound values determined according to EN 62841.

Wear hearing protection!

Vibration total values (triax vector sum) determined according to EN 62841: The vibration emission level given in this information sheet has been measured in accordance with a standardized test given in EN 62841 and may be used to compare one tool with another. It may be used for a preliminary assessment of exposure. The declared vibration emission level represents the main applications of the tool. However if the tool is used for different applications, with different accessories or poorly maintained, the vibration emission may differ. This may significantly increase the exposure level over the total working period. An estimation of the level of exposure to vibration should also take into account the times when the tool is switched off or when it is running but not actually doing the job. This may significantly reduce the exposure level over the total working period. Identify additional safety measures to protect the operator from the effects of vibration such as: maintain the tool and the accessories, keep the hands warm, organization of work patterns avoid vibration risk.

Vibration risk limitation suggestions:

- 1) wear glove during operation
- 2) limit operating time and shorten trigger time.

Before using the equipment

Battery charger (Fig.1)

The lithium-ion battery can be charged at any time and will not develop a “memory” when charged after only a partial discharge. It is not necessary to run down the battery pack charge before recharging. Remove the battery pack from the tool when convenient for you and your job. You can “top-off” your battery pack’s charge before starting a big job or long period of use.

Due to lithium-ion’s fade-free properties, the only time it is necessary to charge the lithium-ion battery pack is when the pack has reached the end of its charge. To signal the end of charge, power to the tool will drop quickly. Charge the battery pack as needed.

Fig.1



CH-1802A

CH-1802B

CH-1802D

a. Charging the battery

This lithium-ion battery pack is shipped partially charged. Before using it the

Original Instructions

first time, fully charge the battery pack. A fully discharged battery pack with a temperature between 5°C and 35°C will charge in about 30-140MIN(See section"Specifications").

CH-1802A:

- I Plug the charger adapter into power source. The green light on the charger stand will illuminate, indicating the charger is powered.
- I Slide the battery all the way into the charger stand until it locks in place with a click. The red light on the charger stand will illuminate, indicating that the battery is charging.
- I The red light will go off after charging is complete and a green light will appear.

CH-1802B/CH-1802D:

See the manual of CH-1802B/CH-1802D

NOTE: Batteries may become warm while charging. This is normal. If the battery is hot after continuous use in the tool, allow it to cool down to room temperature before charging. This will extend the life of your batteries.

WARNING: Always disconnect the battery pack from the tool before any assembly, adjustments or changing accessories.

b. Insertion and removal of rechargeable battery (Fig.2)

Depress the battery-release button located on the front of the battery pack to release battery pack.

Pull the battery pack out and remove it from the



OPERATION

Original Instructions

LED Lighting

2pcs LED lighting in each side can be turned on when the machine is working

- I Checking the contact trip mechanism
- I Remove all staples or nails from the magazine.
- I Press the safety nose/contact pin and pull the trigger. The safety nose/contact pin and the trigger should move freely.
- I Reload the staples or nails to the magazine.
- I Do not use the tool if the safety nose/contacted pin cannot move freely.
- I Place the contact pin on the workpiece and press the machine without pulling the trigger, the machine should not fire; Take the machine from the workpiece, the contact pin should spring back automatically.
- I Pull the trigger, the machine should not fire.

Inserting Staples or Nails into the magazine

NOTE: The number of staples or nails left in the magazine can be read using the viewing window.

- A) Remove battery pack from the tool.
- B) Press the release button and pull out the magazine cover.
- C) Tilt the tool and place nails/staples into the track of the magazine channel. Make sure that the fasteners are placed correctly:

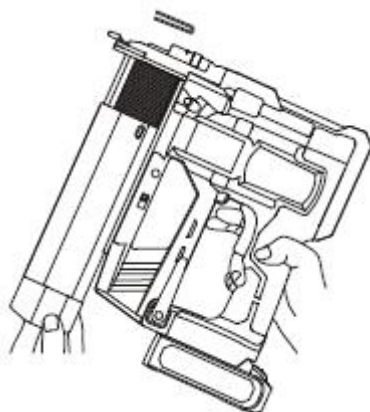
- I Staples are placed against the profiled side of the rail, the crown of the staple is in the uppermost part of the magazine (legs are facing away from the body of the tool).
- I Nails are placed against the profiled side of the rail, with the points of the nails facing downwards.

D) Close the magazine cover until it engages with the release button.

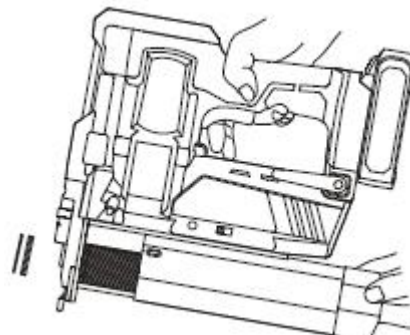
E) Reattach battery pack to tool.

Warning: Do not place fasteners of different length. Do not place staples and nails mixed together.

A. Loading staples:



B. Loading nails:



Instructions for use

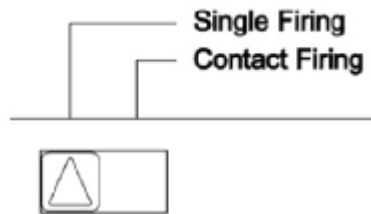
Original Instructions

Prior to operation make sure your battery pack is fully charged.
Check whether the fasteners are placed in the magazine correctly.

Nailing or Stapling

Hold handle firmly with magazine flat to work piece forming a 90° Angle.

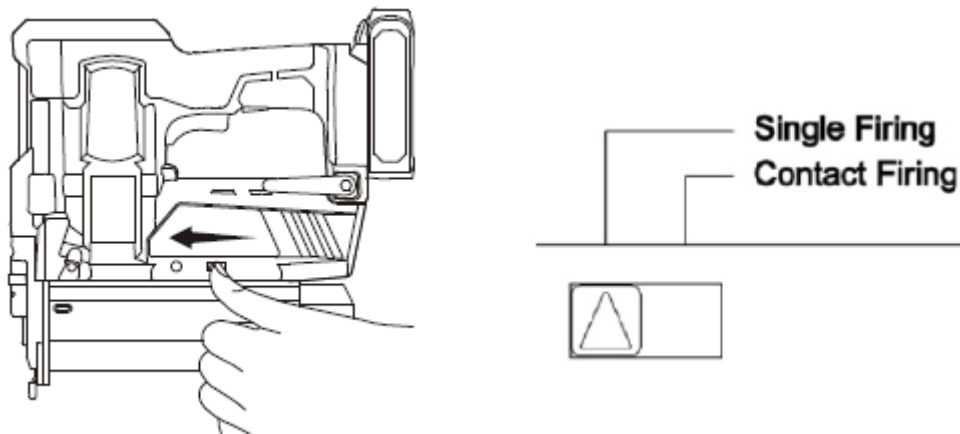
Two modes of firing: Single Firing and Contact Firing



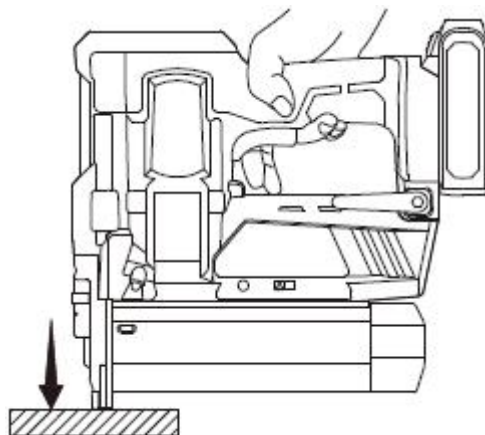
1) Single Firing Mode:

Push the drive shift (single/contact firing knob) to left side, it is on Single Firing mode. Single Firing is good for precision placement.

Step 1: Push the drive shift to left side

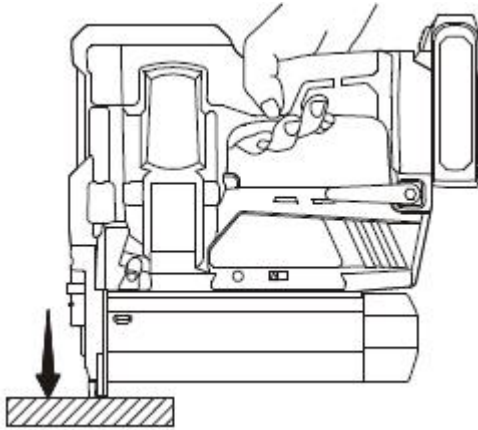


Step 2: Depress the safety contact pin against the work piece

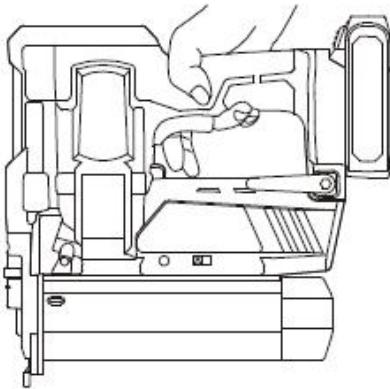


Step 3: Squeeze the trigger to fire the staple or nail;

Original Instructions



Step 4: Released the trigger and safety contact pin after firing.



Firing next staple or nail, repeat step 2- step 4

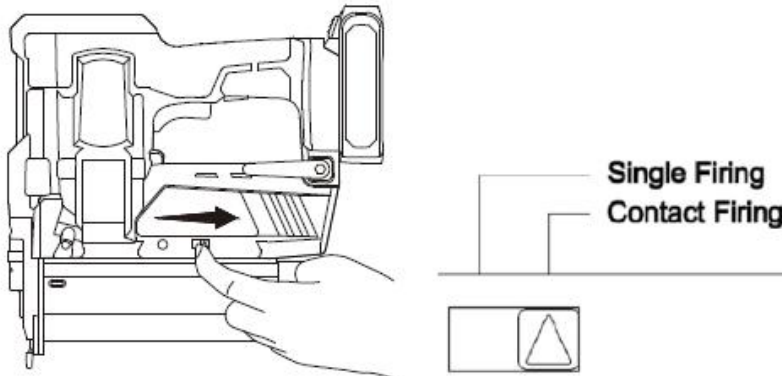
The safety contact pin must be depressed before the trigger is squeezed.

2) Contact Firing Mode:

Push the drive shift (single/contact firing knob) to right side, it is on Contact Firing mode.

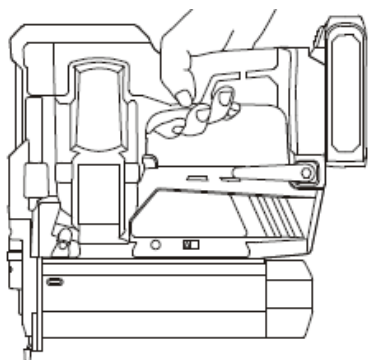
Contact Firing is good for conveniently and quickly firing.

Step 1: Push the drive shift to right side

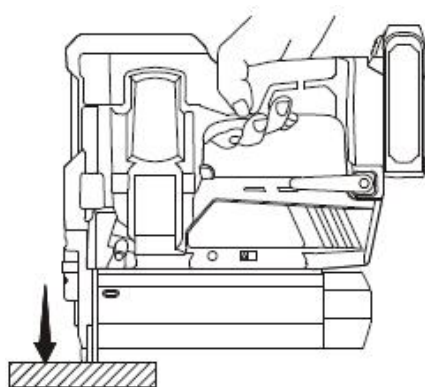


Step 2: Squeeze the trigger, keep squeezing and don't release

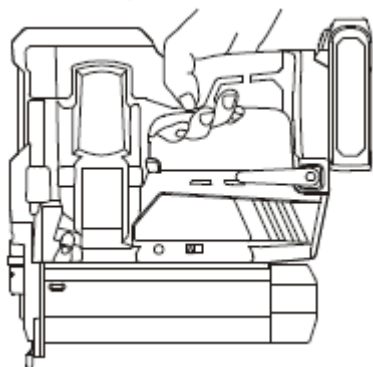
Original Instructions



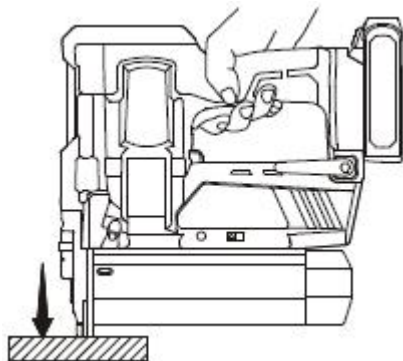
Step 3: Depress the safety contact pin against the work piece to fire the nail or staple;



Step 4: Keep squeezing the trigger all the time but release safety contact pin after firing.



Step 5: To press it against the next area you want to fire a nail or staples into. When the contact pin is pressed against the work piece the tool will fire.



Original Instructions

Firing next staple or nail, repeat step 4~step 5

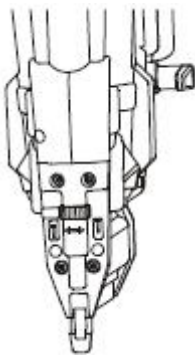
The trigger must be kept squeezing all the time during the safety contact pin is being depressed time by time


Do not keep the trigger depressed when the tool is not in use, to prevent accidental firing when the tool is not in use.


A significantly reduced working period after charging indicated that the battery is used and must be replaced.

Depth Adjustment Wheel

Depth adjustment helps protect work surface and allows proper setting of nail heads



Turn the depth adjustment wheel towards to , the nail/staple will be fired into wood much more depth;

Turn the wheel towards to , the nail/staple will be fired into wood in less depth.

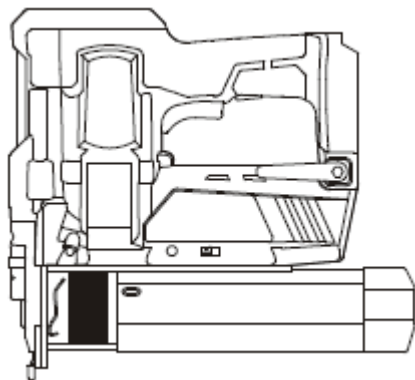
Removing a jammed nail or staple

Note: You must remove any jammed nail/staple before using the tool any further. Otherwise, it could cause damage to the mechanism.

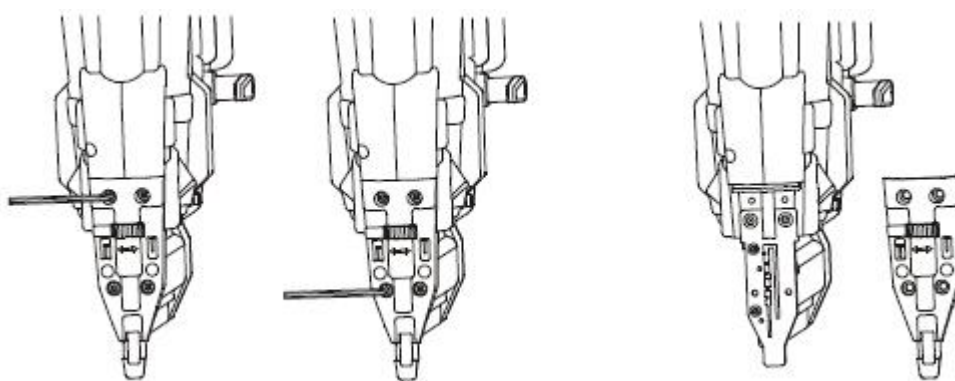
Remove the battery pack from the tool.

Open the magazine, remove the staples or nails in channel. Then, to remove the jammed fasteners.

Original Instructions

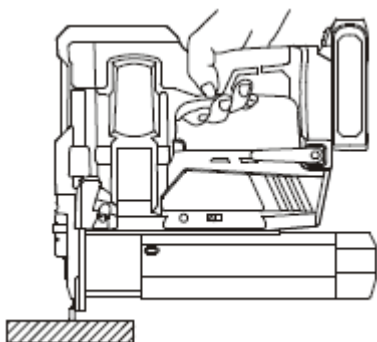


If the fasteners remain jammed after following the above instructions, slightly loosen the four hex screws upon the nose piece with the wrench provided, take off the nose then remove the jammed fasteners piece



Remove the jammed nail with pliers if necessary. After the jammed nail has been successfully removed, then re-tighten the nose piece with hex screws securely.

Keep opening the magazine, insert in the battery to shot two or three times.



Then reload in the staples/nails, close the magazine to shot, will be ok

SERVICE & MAINTENANCE

Always remove the battery from the tool before performing any adjustment or maintenance operation.

Take care not to expose this tool to the rain.

Keep the ventilation openings clear and clean the product regularly.

Repair of the tool must only be carried out by a qualified repair technician.

Repair or maintenance by unqualified personnel can lead to a risk of injury.

Use only identical spare parts for repairing a tool

Cleaning

Avoid using solvents when cleaning plastic parts. Most plastic parts are susceptible to damage from various types of commercial solvents and may be damaged by their use. Use clean clothes to remove dirt, carbon dust, etc.

Storing

Store the machine, operating instructions and where necessary the accessories in the original packaging. In this way you will always have all the information and parts ready to hand.

Pack the device well or use the original packaging in order to avoid transit damage.

Always keep the machine in dry place.

Disposal



Electronic devices are recyclable waste and must not be disposed of in the household waste. At the end of its service life, dispose of the product according to the relevant statutory regulations.



Remove any rechargeable battery, if necessary, and dispose of it separately from the product.

You thus fulfil your statutory obligations and contribute to environmental protection.

Exceltools.co.uk
Sales@exceltools.co.uk