

Original Instructions

---

# ***EXCEL***

## **CORDLESS PLANER 18V**

### **11754/PL-L0118**



## **INSTRUCTION MANUAL**

## Original Instructions

---

### DESCRIPTION OF THE SYMBOLS



Read instructions carefully before any use



Complies with relevant European regulations



The crossed-out wheeled bin symbol indicates that the item should be disposed of separately from household waste. The item should be handed in for recycling in accordance with local environmental regulations for waste disposal. By separating a marked item from household waste, you will help reduce the volume of waste sent to incinerators or land-fill and minimize any potential negative impact on human health and the environment.

#### On battery



Do not expose the battery to water



Do not expose the battery to fire or incinerate



max40°C Do not expose the battery to high temperatures (above 40°C)



Li-ion battery



Recyclable material

## Original Instructions

---

### On charger



Class II machine – Double insulation – You don't need any earthed plug.



Use this device indoors only.

## GENERAL POWER TOOL SAFETY WARNINGS



**WARNING** Read all safety warnings, instruction, illustrations and specifications provided with this power tool. Failure to follow all instructions listed below may result in electric shock, fire and/or serious injury.

SAVE ALL WARNINGS AND INSTRUCTIONS FOR FUTURE REFERENCE.

The term "power tool" in the warnings refers to your mains-operated (corded) power tool or battery-operated (cordless) power tool.

### 1) Work area safety

- a) **Keep work area clean and well lit.** Cluttered or dark areas invite accidents.
- b) **Do not operate power tools in explosive atmospheres, such as in the presence of flammable liquids, gases or dust.** Power tools create sparks which may ignite the dust or fumes.
- c) **Keep children and bystanders away while operating a power tool.** Distractions can cause you to lose control.

### 2) Electrical safety

- a) **Power tool plugs must match the outlet. Never modify the plug in any way. Do not use any adapter plugs with earthed (grounded) power tools.** Unmodified plugs and matching outlets will reduce risk of electric shock.
- b) **Avoid body contact with earthed or grounded surfaces such as pipes, radiators, ranges and refrigerators.** There is an increased risk of electric shock if your body is earthed or grounded.
- c) **Do not expose power tools to rain or wet conditions.** Water entering a power tool will increase the risk of electric shock.
- d) **Do not abuse the cord. Never use the cord for carrying, pulling or unplugging the power tool. Keep cord away from heat, oil, sharp edges or moving parts.** Damaged or entangled cords increase the risk of electric shock.
- e) **When operating a power tool outdoors, use an extension cord suitable for outdoor use.** Use of a cord suitable for outdoor use reduces the risk of electric shock.

## Original Instructions

---

- f) **If operating a power tool in a damp location is unavoidable, use a residual current device (RCD) protected supply.** Use of an RCD reduces the risk of electric shock.

### 3) Personal safety

- a) **Stay alert, watch what you are doing and use common sense when operating a power tool. Do not use a power tool while you are tired or under the influence of drugs, alcohol or medication.** A moment of inattention while operating power tools may result in serious personal injury.
- b) **Use personal protective equipment. Always wear eye protection.** Protective equipment such as dust mask, non-skid safety shoes, hard hat or hearing protection used for appropriate conditions will reduce personal injuries.
- c) **Prevent unintentional starting. Ensure the switch is in the off-position before connecting to power source and/or battery pack, picking up or carrying the tool.** Carrying power tools with your finger on the switch or energising power tools that have the switch on invites accidents.
- d) **Remove any adjusting key or wrench before turning the power tool on.** A wrench or a key left attached to a rotating part of the power tool may result in personal injury.
- e) **Do not overreach. Keep proper footing and balance at all times.** This enables better control of the power tool in unexpected situations.
- f) **Dress properly. Do not wear loose clothing or jewellery. Keep your hair and clothing away from moving parts.** Loose clothes, jewellery or long hair can be caught in moving parts.
- g) **If devices are provided for the connection of dust extraction and collection facilities, ensure these are connected and properly used.** Use of dust collection can reduce dust-related hazards.
- h) **Do not let familiarity gained from frequent use of tools allow you to become complacent and ignore tool safety principles.** A careless action can cause severe injury within a fraction of a second.

### 4) Power tool use and care

- a) **Do not force the power tool. Use the correct power tool for your application.** The correct power tool will do the job better and safer at the rate for which it was designed.
- b) **Do not use the power tool if the switch does not turn it on and off.** Any power tool that cannot be controlled with the switch is dangerous and must be repaired.
- c) **Disconnect the plug from the power source and/or remove the battery pack, if detachable, from the power tool before making any adjustments, changing accessories, or storing power tools.** Such preventive safety measures reduce the risk of starting the power tool accidentally.

## Original Instructions

---

- d) **Store idle power tools out of the reach of children and do not allow persons unfamiliar with the power tool or these instructions to operate the power tool.** Power tools are dangerous in the hands of untrained users.
- e) **Maintain power tools and accessories. Check for misalignment or binding of moving parts, breakage of parts and any other condition that may affect the power tool's operation. If damaged, have the power tool repaired before use.** Many accidents are caused by poorly maintained power tools.
- f) **Keep cutting tools sharp and clean.** Properly maintained cutting tools with sharp cutting edges are less likely to bind and are easier to control.
- g) **Use the power tool, accessories and tool bits etc. in accordance with these instructions, taking into account the working conditions and the work to be performed.** Use of the power tool for operations different from those intended could result in a hazardous situation.
- h) **Keep handles and grasping surfaces dry, clean and free from oil and grease.** Slippery handles and grasping surfaces do not allow for safe handling and control of the tool in unexpected situations.

### 5) Battery tool use and care

- a) **Recharge only with the charger specified by the manufacturer.** A charger that is suitable for one type of battery pack may create a risk of fire when used with another battery pack.
- b) **Use power tools only with specifically designated battery packs.** Use of any other battery packs may create a risk of injury and fire.
- c) **When battery pack is not in use, keep it away from other metal objects like paper clips, coins, keys, nails, screws, or other small metal objects, that can make a connection from one terminal to another.** Shorting the battery terminals together may cause burns or a fire.
- d) **Under abusive conditions, liquid may be ejected from the battery; avoid contact. If contact accidentally occurs, flush with water. If liquid contacts eyes, additionally seek medical help.** Liquid ejected from the battery may cause irritation or burns.
- e) **Do not use a battery pack or tool that is damaged or modified.** Damaged or modified batteries may exhibit unpredictable behaviour resulting in fire, explosion or risk of injury.
- f) **Do not expose a battery pack or tool to fire or excessive temperature.** Exposure to fire or temperature above 130 °C may cause explosion.
- g) **Follow all charging instructions and do not charge the battery pack or tool outside the temperature range specified in the instructions.** Charging improperly or at temperatures outside the specified range may damage the battery and increase the risk of fire.

### 6) Service

- a) **Have your power tool serviced by a qualified repair person using only identical replacement parts.** This will ensure that the safety of

## Original Instructions

---

the power tool is maintained.

- b) **Never service damaged battery packs.** Service of battery packs should only be performed by the manufacturer or authorized service providers.

## ADDITIONAL WARNING CONCERNING PLANER

- I **Wait for the cutter to stop before setting the tool down.**An exposed rotating cutter may engage the surface leading to possible loss of control and serious injury.
- I **Use clamps or another practical way to secure and support the work piece to a stable platform.** Holding the work by hand or against the body leaves it unstable and may lead to loss of control.
- I **Hold the power tool by insulated gripping surfaces only.**
- I **Know your power tool. Read operator's manual carefully. Learn its applications and limitations, as well as the specific potential hazards related to this power tool.** Following this rule will reduce the risk of electric shock, fire, or serious injury.
- I **Always wear eye protection with side shields marked to comply with ANSI Z87.1.** Following this rule will reduce the risk of serious personal injury.
- I **Protect your lungs. Wear a face or dust mask if the operation is dusty.** Following this rule will reduce the risk of serious personal injury.
- I **Protect your hearing. Wear hearing protection during extended periods of operation.** Following this rule will reduce the risk of serious personal injury.
- I **Battery tools do not have to be plugged into an electrical outlet; therefore, they are always in operating condition. Be aware of possible hazards when not using your battery tool or when changing accessories.**Following this rule will reduce the risk of electric shock, fire, or serious personal injury.
- I **Do not place battery tools or their batteries near fire or heat.** This will reduce the risk of explosion and possibly injury.
- I **Do not crush, drop or damage battery pack. Do not use a battery pack or charger that has been dropped or received a sharp blow.** A damaged battery is subject to explosion. Properly dispose of a dropped or damaged battery immediately.
- I **Batteries can explode in the presence of a source of ignition, such as a pilot light.** To reduce the risk of serious personal injury, never use any cordless product in the presence of open flame. An exploded battery can propel debris and chemicals. If exposed, flush with water immediately.
- I **Do not charge battery tool in a damp or wet location. Do not use, store, or charge battery packs or products in locations where the temperature is less than 50°F or more than 100°F.** Do not store outside or in vehicles.
- I **Under extreme usage or temperature conditions, battery leakage may occur. If liquid comes in contact with your skin, wash immediately with soap and water. If liquid gets into your eyes, flush them with clean water for at least 10 minutes, then seek immediate medical attention.** Following this rule will reduce the risk of serious personal injury.

## Original Instructions

---

- I **Save these instructions.** Refer to them frequently and use them to instruct others who may use this tool. If you loan someone this tool, loan them these instructions also.

### **EXTRA SAFETY REGULATIONS CONCERNING BATTERY**

To ensure the longest battery life and best battery performance, always charge the battery when the temperature is between 18-24°C. Do not charge the battery pack when the temperature is below 0°C, or above 40°C. This is important. Failure to observe this safety rule could cause serious damage to the battery pack.

Do not incinerate the battery pack even if it is seriously damaged or can no longer hold a charge. The battery pack can explode in a fire.

A small leakage of liquid from the battery pack may occur under extreme usage or temperature. This does not necessarily indicate a failure of the battery pack. However, if the outer seal is broken and this leakage comes into contact with your skin:

ü Wash the affected area quickly with soap and water.

ü Flush your eyes with clean water for a minimum of 10 minutes and seek immediate medical attention.

Never attempt to open the battery pack for any reason. If the plastic housing of the battery pack breaks open or cracks, immediately discontinue its use and do not recharge it.

Do not store or carry a spare battery pack in a pocket or toolbox or any other place where it may come into contact with metal objects. The battery pack may be short circuited causing damage to the battery pack, burns or a fire. If storing or disposing the battery pack, cover the terminals with a heavy insulation tape to ensure short circuit cannot occur. Batteries, when stored for a long period of time, will discharge.

Do not store or use the tool and battery pack in locations where the temperature may reach or exceed 40°C such as alongside sheds or metal structures in the summer.

Allow the battery pack to cool down after charging. Do not place it in a hot environment such as a metal shed or open trailer left in the sun.

Only charge the battery with the charger supplied.

Do not put the battery pack near fire or high temperature position.

Do not splash or immerse in water or other liquids. This may cause premature cell failure.

When transporting individual batteries, make sure that the battery terminals are protected and well insulated from materials that could contact them and cause a short circuit.

The best storage place is one that is cool and dry away from direct sunlight and excess heat or cold.

If the battery pack has been stored for a long time, you should activate the battery pack first before using it.

The battery is to be disposed of safely.

## EXTRA SAFETY REGULATIONS CONCERNING BATTERY CHARGER

This appliance can be used by children aged from 8 years and above and persons with reduced physical, sensory or mental capabilities or lack of experience and knowledge if they have been given supervision or instruction concerning use of the appliance in a safe way and understand the hazards involved.

Children shall not play with the appliance.

Cleaning and user maintenance shall not be made by children without supervision.

For indoor use only

Warning do not recharge non-rechargeable batteries

If the supply cord is damaged, it must be replaced by the manufacturer, its service agent or similarly qualified persons in order to avoid a hazard.

Before using the charger, read all the instructions and cautionary markings on the charger and battery pack as well as the instructions on the battery pack.

Only charge your battery pack indoors as the charger is designed for indoor use only.

**DANGER:** If the battery pack is cracked or damaged in any other way, do not insert it in the charging base. There is a danger of electric shock or electrocution.



**WARNING:** Do not allow any liquid to come into contact with the charger.

There is a danger of electric shock.

The charger is not intended for any use other than charging the exact type of rechargeable battery pack as supplied with the charger. Any other use may result in the risk of fire, electric shock or electrocution.

The charger and battery pack supplied with it are specifically designed to work together. Do not attempt to charge the battery pack with any other charger than the one supplied.

Do not place any object on top of the charger as it could cause overheating. Do not place the charger near any heat source.

Pull on the charger to disconnect it from the power source. Do not pull on the lead.

Make sure that the charger lead is positioned where it will not be stepped on, tripped over or otherwise subjected to damage or stress.

Do not use an extension cord unless it is absolutely necessary. The use of an improper extension cord could cause the risk of fire, electric shock or electrocution.

Do not use the charger if it has been subjected to a heavy knock, dropped or otherwise damaged in any way. Take the charger to an authorized service centre for a check or repair.

Do not disassemble the charger. Take it to an authorized service centre when service or repair is required. Incorrect re-assembly may result in the risk of fire, electric shock or electrocution.



## **Original Instructions**

---

To reduce the risk of an electric shock, unplug the charger from the power supply before attempting to clean it. Removing the battery pack alone does not reduce the risk.

The charger is designed for use from a standard household electrical supply. Do not attempt to connect the charger to a supply with a different voltage.

The charger is not intended for use by persons (including children) with reduced physical, sensory or mental capabilities, or lack of experience and knowledge, unless they have been given supervision or instruction concerning use of the charger by a person responsible for their safety.

Children should be supervised to ensure that they do not play with the charger.

Do not expose charger to rain or snow.

Do not mount charger on wall or permanently affix charger to any surface. The charger is intended to use on a flat, stable surface(i.e. table top, bench top)

Never attempt to connect two chargers together.

Never insert any objects into the charger's air vents. Electric shock or damage to the battery charger may result.

Disconnect the charger from the outlet before attempting any cleaning. This will reduce the risk of electric shock. Removing the battery pack will not reduce this risk.

Never recharge a fully charged battery cartridge.

Do not charge non-rechargeable batteries.

## **INTENDED USE**

This planer is designed for planing wood surfaces or similar materials, and removing old paint with the exception of any other material having risk ignition, explosion or release of hazardous or dangerous to the user or the environment.

## Original Instructions

---


### LIST OF MAIN PARTS



## Original Instructions

1.Lock-off button	2.Switch trigger
3. Rear handle	4.Depth adjustment knob
5.Depth of cut scale	6.Adjustable front shoe
7.Shaving outlet selector	8. Exhaust ports
9.Drive belt cover	10.Battery pack (excluded)
11.Edge guide	12.Dust bag
13.Blade wrench	14.Rabbeting depth stop

## Specifications

Product description	18V Li-ion Planer
Rated voltage of battery	18V 
No load speed	16,000/ min
Planing width	82mm
Planing depth	1.5mm
Sound pressure level LpA K=3dB(A)	84 dB(A)
Sound power level LwA K=3dB(A)	95 dB(A)
Viabration level	6,13m/s <sup>2</sup> K=1,5m/s <sup>2</sup>
Battery and Charger	
Recommended battery	BA-1850B Li-ion 18V d.c. 5.0Ah
Recommended charger	1. Model : CH-1802A Input : 100-240V~ 50Hz 60W Output : 20V DC 2.3A Charging time : 140MIN
	2. Model :CH-1802B Input : 100-240V~ 50Hz 125W Output : 20VDC, 5A Charging time : 70 MIN
	3. Model :CH-1802D Input : 100-240V~ 50Hz 130W Output : 20VDC, 2.3AX2, USB×2, 5VDC MAX 2A Charging time : 140MIN

## NOISE/VIBRATION INFORMATION

Measured sound values determined according to EN 62841.

### Wear hearing protection!

Vibration total values (triax vector sum) determined according to EN 62841:

## Original Instructions

---

The vibration emission level given in this information sheet has been measured in accordance with a standardised test given in EN 62841 and may be used to compare one tool with another.

It may be used for a preliminary assessment of exposure.

The declared vibration emission level represents the main applications of the tool. However if the tool is used for different applications, with different accessories or poorly maintained, the vibration emission may differ. This may significantly increase the exposure level over the total working period.

An estimation of the level of exposure to vibration should also take into account the times when the tool is switched off or when it is running but not actually doing the job. This may significantly reduce the exposure level over the total working period.

Identify additional safety measures to protect the operator from the effects of vibration such as: maintain the tool and the accessories, keep the hands warm, organisation of work patterns.

### Before using the equipment

Fig.1



CH-1802A

CH-1802B

CH-1802D

#### a. Charging the battery

This lithium-ion battery pack is shipped partially charged. Before using it the first time, fully charge the battery pack. A fully discharged battery pack with a temperature between 5°C and 35°C will charge in about 70-140MIN(See section"Specifications").

#### CH-1802A:

- Plug the charger adapter into power source. The green light on the charger stand will illuminate, indicating the charger is powered.
- Slide the battery all the way into the charger stand until it locks in place with a click. The red light on the charger stand will illuminate, indicating that the battery is charging.
- The red light will go off after charging is complete and a green light will

## Original Instructions

---

appear.

### **CH-1802B/CH-1802D:**

See the manual of CH-1802B/CH-1802D

**NOTE: Batteries may become warm while charging. This is normal. If the battery is hot after continuous use in the tool, allow it to cool down to room temperature before charging. This will extend the life of your batteries.**

**WARNING:** Always disconnect the battery pack from the tool before any assembly, adjustments or changing accessories.

### **b. Insertion and removal of rechargeable battery(Fig.2)**

Depress the battery-release button located on the front of the battery pack to release battery pack.

Pull the battery pack out and remove it from the tool.



**Fig.2**

Warning!

Always remove the battery pack before making adjustments to the equipment.

Be sure to read the following information before you put the cordless equipment into operation: • Charge the battery pack with the charger. An empty battery pack requires a charging period of approximately 0.5 to 1 hour.

## **Operation**

### **ATTACHING THE DUST BAG**

■ Remove the battery pack.

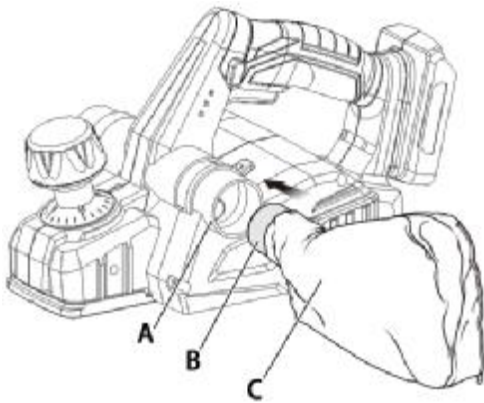
■ Slide the collar of the dust bag onto the exhaust port.

NOTE: To remove the dust bag, pull it straight out of the exhaust port.

**NOTICE: The dust bag fills quickly. Empty it often to prevent damage to the product.**

## Original Instructions

---



### STARTING/STOPPING THE PLANER

- **To turn the planer on**, press the switch trigger and then squeeze the lock-off button.
- **To switch off**, release the lock-off button.

### KICKSTAND

The planer has been equipped with an automatic pivoting kickstand that will prevent the blades from contacting the work bench when not in use. As you begin the planing operation, the kickstand will automatically retract as it passes over the edge of the workpiece (Fig.A). When setting the planer down on the work bench, the kickstand will automatically pivot down to prevent the blade from making any contact (Fig..B).

#### **WARNING:**

Make sure the kickstand operates freely at all times and that the area surrounding the kickstand is clear of debris. Failure to do so could result in serious personal injury.

Fig.A

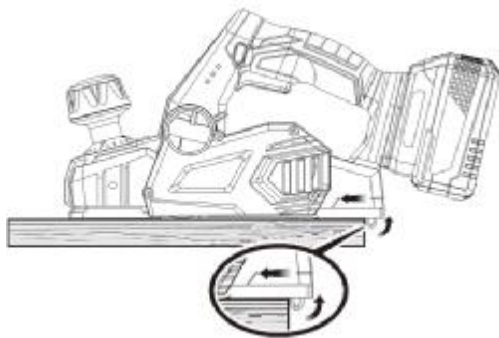
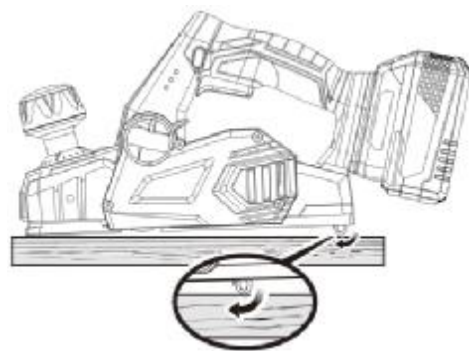


Fig..B



## Original Instructions

---

### PLANING DEPTH

When you begin planing a rough piece of material, the planer will only remove the high spots at first. Successive passes will remove more and more material. By removing no more than 1/64 in. with each pass, you will achieve the smoothest finish, even from the roughest workpiece.

Always begin by making test cuts in scrap wood to make sure that the planer is removing the desired amount of wood.

#### To set the planing depth:

■ Remove the battery pack.

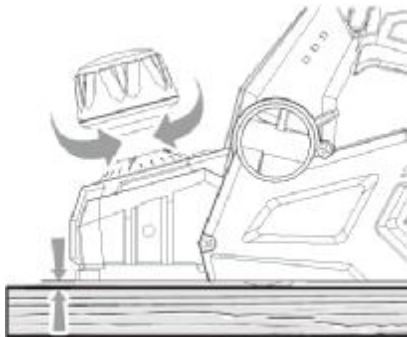
■ Turn the depth adjustment knob clockwise to set the desired depth of cut. The maximum depth of cut is 1/16 in.

**NOTE:** Use only detented depth settings. Attempting cuts with the depth of cut settings between the detented positions can result in uneven cuts.

**NOTE:** To protect the blades during storage, transporting, etc., turn the depth adjustment knob counter clockwise top on the depth of cut scale to park the blade.

#### WARNING:

Always clamp the workpiece securely before making a cut. Work moving during a cut could result in loss of control of the planer and cause serious injury.



#### TIPS FOR OPERATING THE PLANER

■ Clamp the work securely.

■ Be sure the material to be planed is free of nails, staples, or screws.

■ Support the work so that the operation is on your side.

#### NOTICE:

Planing too fast results in a poor finish and increases chip build-up in the chip exhaust. Chip build-up restricts airflow and can cause motor overheating.

#### WARNING:

Do not attempt to clear a blocked chip exhaust until the blades stop and you have disconnected the product from the power source. Failure to heed this

## Original Instructions

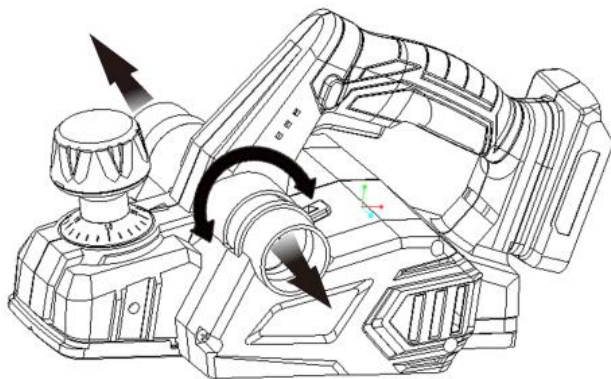
---

warning can result  
in serious personal injury.

### Chip ejection

Turn the shavings outlet dial so that the arrow points towards the planer side where you want shavings to be expelled.

You can also connect a workshop dust extracting system or a household vacuum cleaner into the exhaust. This will make a safer and cleaner work place.



### PLANING

- Clamp the work securely.
- Adjust the planing depth. Refer to **Planing Depth** earlier in this manual.
- Hold the depth adjustment knob with one hand and the handle with your other hand.

#### **WARNING:**

Always use two hands on the tool for any operation; this assures that you maintain control and avoid risk of serious personal injury. Always properly support and clamp the work so that both hands are free to control the planer. Never operate the tool overhead or inverted from the proper operating position; serious personal injury may result.

Place the front shoe on the edge of work to be planed.

**NOTE:** Make sure the blades are not touching the work.

- Apply pressure to the depth adjustment knob so that the front shoe is completely flat on the work.
- Start the planer and let the motor reach maximum speed.
- Hold the planer firmly and push it forward into the work, using a slow, steady motion.
- Plane slowly and empty the dust bag often.
- Apply downward pressure toward the rear handle as you reach the end of the



## Original Instructions

---

planed cut. This helps keep the rear section of the planer base in contact with the work and prevents the front of the planer from gouging the cut.

### **WARNING:**

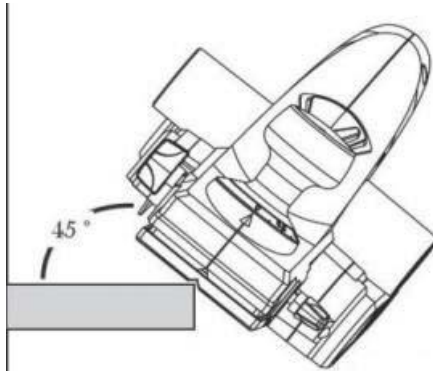
Be careful to avoid hitting nails or staples during planing operation; this action could nick, crack, or damage blades.

**NOTE:** We suggest that you always keep an extra set of blades on hand. As soon as the blades in the planer show signs of becoming dull, replace them. The blades are reversible and can be reversed until both sides become dull.

### **CHAMFERING**

The planer is designed with a chamfering groove in the front shoe to chamfer corners of boards as shown. Before making a cut on good lumber, practice cutting on scrap lumber to determine the amount to be removed.

- Clamp the work securely.
- Hold the depth adjustment knob with one hand and the handle with your other hand.
- Place the chamfering groove on the surface to be cut.
- Start the planer and let the motor reach maximum speed.
- Hold the planer firmly and push it forward into the work, using a slow, steady motion.
- Apply downward pressure to keep the planer flat at the beginning and the end of the work surface.



### **PLANING EDGES AND MAKING RABBET CUTS**

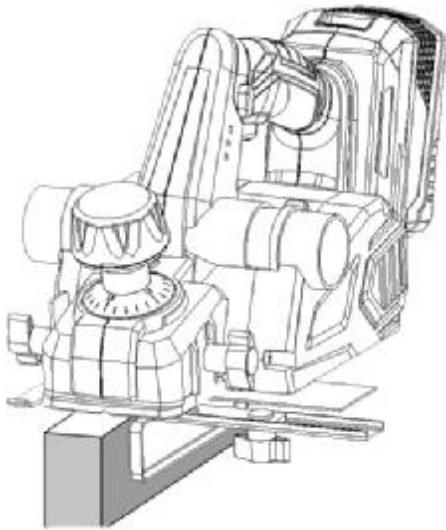
The planer comes with an adjustable edge guide for precision edge planing and rabbet cutting. Attach the edge guide to either side of the planer for planing edges and attach the edge guide to the left side for making rabbet cuts.

### **PLANING EDGES**

Follow the directions in the Planing section earlier in this manual. Hold the edge guide firmly against the edge of the work surface.

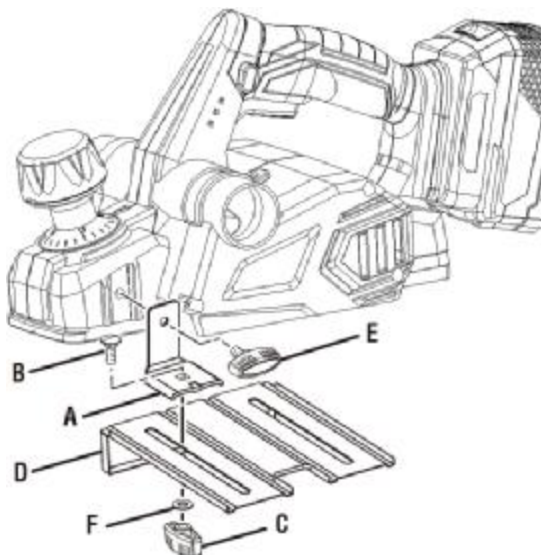
## Original Instructions

---



### ATTACHING THE EDGE GUIDE FOR MAKING RABBET CUTS

- Remove the battery pack.
- Attach the bracket to the left side of the planer and tighten the knob bolt securely.
- Attach the edge guide loosely to the bracket using the knob nut and the carriage head bolt (do not tighten).
- Adjust the edge guide to the desired width for the rabbet cut.
- Tighten the knob nut securely.



## Original Instructions

---

### TO MAKE RABBET CUTS

Follow the directions in the Planing section earlier in this manual. Rest the edge guide firmly against the edge of the work surface.

The depth of the rabbet is determined by the depth of the cut and the number of passes made along the work surface.

The maximum depth of the rabbet cut is 1/2 in. and has to be cut in 1/16 in. passes or less to reach the desired depth. The width of the rabbet cut is adjustable by moving the edge guide.

**WARNING:**

When servicing, use only identical replacement parts. Use of any other parts may create a hazard or cause product damage.

**WARNING:**

Always wear eye protection with side shields marked to comply with ANSI Z87.1. Failure to do so could result in objects being thrown into your eyes resulting in possible serious injury.

### REPLACING BLADES

The planer blades are reversible. When one edge becomes dull, the blade can be reversed so that the other side can be used.

Always replace or reverse blades in pairs. Do not attempt to sharpen blades. If the blades in the planer show signs of becoming dull, chipped, or damaged in any way, replace them.

When replacing the blades, use recommended replacement blade only.

**WARNING:**

Always wear heavy leather gloves and use caution when loosening blade screws and handling and/or changing blades. Blades are sharp and can cause serious personal injury.

■ Remove the battery pack.

■ Secure the planer in an upside-down position.

■ Loosen the three screws securing the blade on the blade holder by turning counter clockwise with the provided blade wrench.

**NOTE:** Do not over-loosen the screws. If screws are too loose, alignment of the new blade will not be accurate.

**NOTE:** Before removing the old blades, take notice of the direction of cut as well as how the tapered edge of the old blades are oriented. The tapered edge of the new blades must be in the same orientation as the original blades, with the tapered edge on the same side as the screw heads and the flat edge facing the cutter block.

■ Depress the spring-loaded blade guard.

■ Push the blade holder out of the cutter block assembly using the tip of a screwdriver.

■ Remove the old blade from the blade holder by sliding the blade out using the

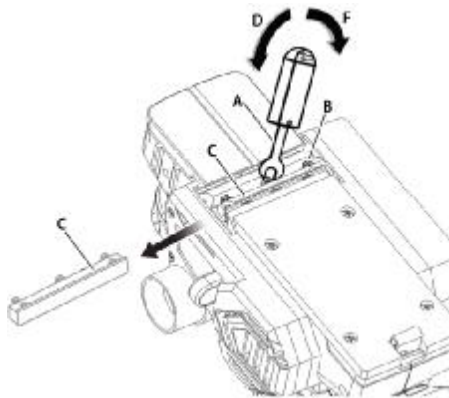
## Original Instructions

---

tip of a screwdriver.

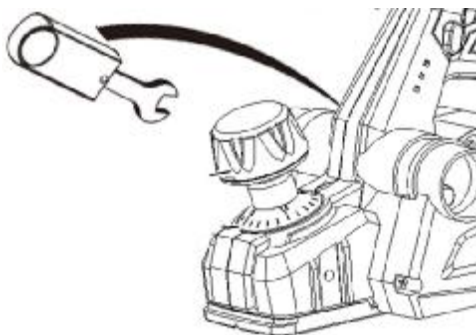
**NOTE:** If blade cannot be easily pushed out of blade holder after loosening blade securing screws, use a block of wood to break the blade loose from the blade holder with a short sharp blow. Then push the blade with a screwdriver to remove. If necessary, tap the block of wood sharply with a small hammer to break the blade loose.

- Clean any saw dust or wood chips from around the blade area.
- Slide the new blade into the slot of the blade holder.
- Use a screwdriver to push the blade into the blade holder until it is centered into position.
- Depress the spring-loaded blade guard.
- Insert the blade holder into the cutter block assembly.
- Retighten the three blade securing screws using the blade wrench.
- Repeat the above procedure to change the other blade.



### TIPS FOR BLADE WRENCH:

Blade wrench could put into the hole on the planer as shown.



## Original Instructions

---

### REPLACING THE BELT

When replacing the belt, use the recommended replacement belt only,

- Remove the battery pack.
- Remove belt cover screws.
- Remove the belt cover.(Fig.1)
- Force the old belt from the small pulley by turning in the direction shown. As you turn the belt, pull and work it off the small pulley until it has been completely removed from both pulleys.(Fig.2)
- Install the new belt over the small pulley, being sure to align the grooves. As you turn the belt, push and work it onto the large pulley until it is in place.
- Replace the belt cover.
- Install belt cover screws and tighten securely.

**NOTE:** Do not overtighten the screws.

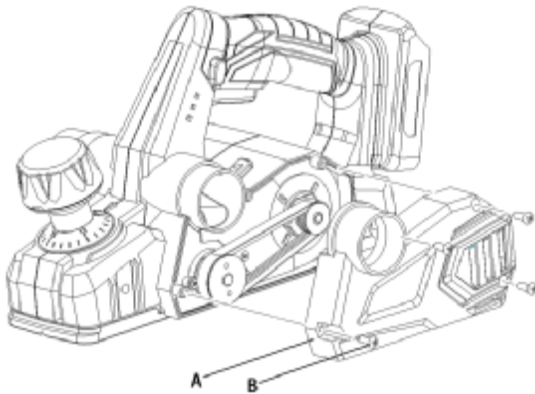


Fig.1

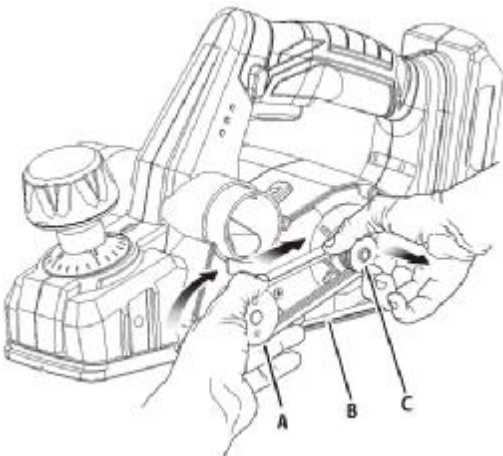


Fig.2

### CLEANING THE EXHAUST PORT AND EMPTYING THE DUST BAG

After using the planer for an extended period of time or when planing wet or green lumber, chips may build-up in the exhaust port and require cleaning. Chip

## Original Instructions

---

build-up restricts airflow and causes the motor to overheat. Clean the exhaustport and empty the dust bag regularly.

- Remove the battery pack.
- Remove the dust bag from the exhaust port.
- Clean the chip or dust build-up from the exhaust port of the planer with a small piece of wood. Do not use your hands or fingers.
- Empty all debris from the dust bag and ensure that the collar is free of debris.
- Replace the dust bag.

## SERVICE & MAINTENANCE

Always remove the battery from the tool before performing any adjustment or maintenance operation.

Take care not to expose this tool to the rain.

Keep the ventilation openings clear and clean the product regularly.

**Repair of the tool must only be carried out by a qualified repair technician.**

Repair or maintenance by unqualified personnel can lead to a risk of injury.

**Use only identical spare parts for repairing a tool**

### Cleaning

Avoid using solvents when cleaning plastic parts. Most plastic parts are susceptible to damage from various types of commercial solvents and may be damaged by their use. Use clean clothes to remove dirt, carbon dust, etc.

### Storing

Store the machine, operating instructions and where necessary the accessories in the original packaging. In this way you will always have all the information and parts ready to hand.

Pack the device well or use the original packaging in order to avoid transit damage.

Always keep the machine in dry place.

### Disposal



Electronic devices are recyclable waste and must not be disposed of in the household waste. At the end of its service life, dispose of the product according to the relevant statutory regulations.

Remove any rechargeable battery, if necessary, and dispose of it separately from the product.

You thus fulfil your statutory obligations and contribute to environmental protection.

Exceltools.co.uk  
[Sales@exceltools.co.uk](mailto:Sales@exceltools.co.uk)