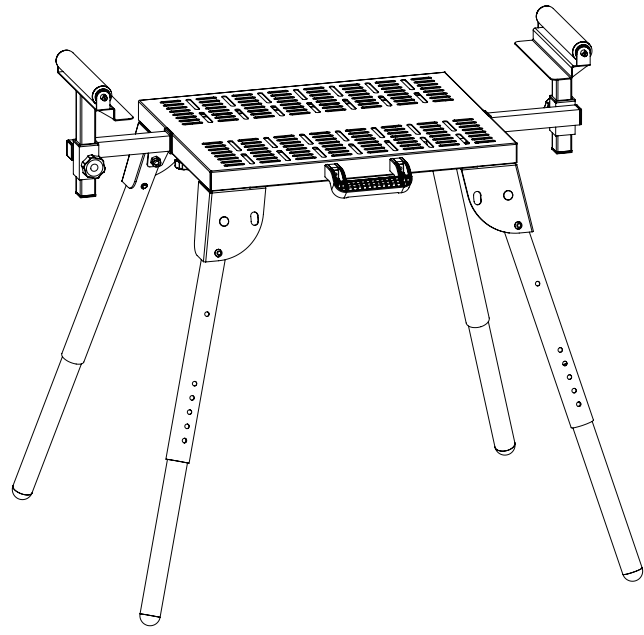


size:14.5X19cm

EXCEL

SINGLE
150
kg

SKU-11519



**PORTABLE MULTI
WORK STAND**
OWNER'S MANUAL

Exceltools.co.uk

TABLE OF CONTENTS

SECTION	PAGE
SAFETY RULES	1
ASSEMBLY	2
Unpacking Tools Needed Unfold the Work Legs Assemble Handle Assemble Extension Bar/Roller Bar Locking Knobs Mounting the Power tool	
OPERATIONS	4
Roller Bar/Extension Bar Adjustment Leg Adjustment Transportation/Storage	
MAINTENANCE	4
General Maintenance	

PRODUCT SPECIFICATIONS

Tabletop (LxW)	59.7 cm x 45.7 cm
Height (lowest position)	59.7 cm
Height (tallest position)	81.9 cm
Height (6 preset positions)	59.7 cm 71.7 cm 74.3 cm 76.8 cm 79.4 cm 81.9 cm
Stand (folded w/extensions) (LxWxH)	92.7 cm x 52 cm x 25.4 cm
Distance between rollers	89 cm (min)
Leg Adjustment	168 cm (max)
Rollers adjustment from table top	7.6 cm (min) 20.9 cm (max)
Metal rollers (DxL)	3.7 cm x 24 cm
Maximum Load	150 kg
Weight without extensions	16.5 kg
Weight with extensions	17.8 kg

Exceltools.co.uk

SAFETY RULES

WARNING

For your own safety, read all of the rules and precautions before operating tool.

WARNING

Always follow proper operating procedures as defined in this manual even if you are familiar with use of this ultra-work stand or any tool used with this stand. Remember that being careless for even a fraction of a second can result in severe personal injury.

You must be familiar with the use of any tool or accessory used with this ultra-work stand. The supplier cannot be held responsible for any accident, injury or damage incurred while using this stand with any tool.

WARNING

Some dust created by operation of power tool contains chemicals known to the State of California to cause cancer, birth defects or other reproductive harm. To reduce your exposure to these chemicals, work in a well ventilated area and work with approved safety equipment. Always wear OSHA/NIOSH approved, properly fitting face mask or respirator when using such tools.

CAUTION

Do not modify or use this stand for any application other than that for which it was designed.

ELECTRICAL SAFETY

Avoid body contact with grounded surfaces, such as pipes, radiators, ranges, and refrigerators. There is an increased risk of electric shock if your body is grounded. Do not expose power tools to rain or wet conditions. Water entering a power tool will increase the risk of electric shock.

Do not abuse the cord. Never use the cord for carrying, pulling, or unplugging the power tool. Keep the cord away from heat, oil, sharp edges, or moving parts. Damaged or entangled cords increase the risk of electric shock.

When operating a power tool outdoors, use an extension cord suitable for outdoor use. Use of a cord suitable for outdoor use reduces the risk of electric shock. If operating a power tool in a damp location is unavoidable, use a ground fault circuit interrupter (GFCI) protected supply. Use of a GFCI reduces the risk of electric shock.

SAFETY FOR WORK STAND

Do not attempt to assemble or operate your ultra-work stand until you have read the safety instructions in this section.

- Only use your ultra-work stand on a hard, dry and flat surface.
- Keep your work area clean and well lit. Cluttered or dark areas invite accidents.
- Do not overreach. Keep proper footing and balance at all times.
- Do not load the ultra-work stand with more than 330 lbs. (150 kg).
- Store properly. Do not store the ultra-work stand outdoors or in a damp location.
- Do not stand or climb on ultra-work stand. It could tip over, causing serious injury.
- Do not permit children to use the ultra-work stand unsupervised. It is not a toy.
- Be sure work support extensions are locked in place before using your power tool and ultra-work stand.
- Take care when moving the stand, especially when a power tool is mounted.
- Dress properly. Do not wear loose clothing or jewelry. Keep your hair, clothing and gloves away from moving parts. Loose clothes, jewelry or long hair can be caught in moving parts. Always wear non-slip footwear. Tie back long hair. Roll long sleeves above the elbow.
- Always firmly attach the power tool used with this stand. Do not attempt to use the power tool on the ultra-work stand until the power tool is fastened firmly.
- Be aware of tipping. When a large piece is cut from one end of a job, the remaining piece may be heavy enough to tip the ultra-work stand. Always ensure the workpiece is well supported.
- Always keep all guards in place. Be sure all power tool guards are in good working order and are in proper adjustment and alignment.
- Always keep your hands away from the cutting area.

CAUTION

Think safety! Safety is a combination of operator common sense and alertness at all times when tool is being used.

WARNING

Do not attempt to operate tool until it is completely assembled according to the instructions.

SAVE ALL WARNINGS AND INSTRUCTIONS FOR FUTURE REFERENCE

Exceltools.co.uk

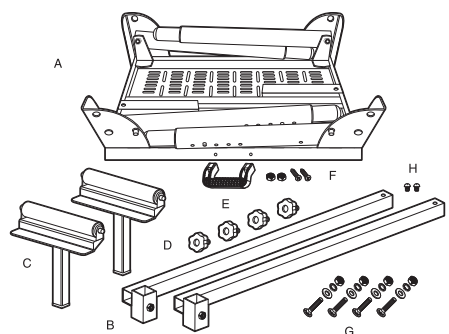
ASSEMBLY

UNPACKING

Refer to Figure 1. Check for shipping damage. Check immediately whether all parts and accessories are included.

ITEM DESCRIPTION	QTY
A Ultra-work stand	1
B Extension bars	2
C Roller bars	2
D Locking knobs	4
E Handle	1
F Screws and lock nuts (handle)	2
G Power tool mounting hardware (mounting bolt, washer, lock washers and nut)	4
H Pan head screws	2

Figure 1



TOOLS NEEDED

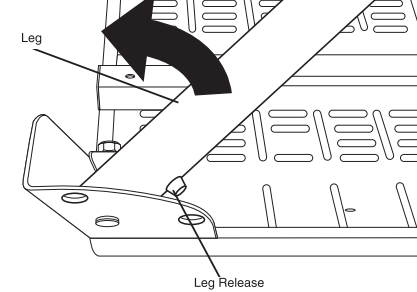
The following tools (not included) are needed to assemble the ultra-work stand:

Phillips head screwdriver
10 mm open end wrench

UNFOLD THE WORK LEGS

- Place the ultra-work stand on a flat surface with the folded legs facing up.
- Depress the leg release spring pins and rotate the leg until it clicks and locks into the open position. Repeat for each leg.

Figure 2

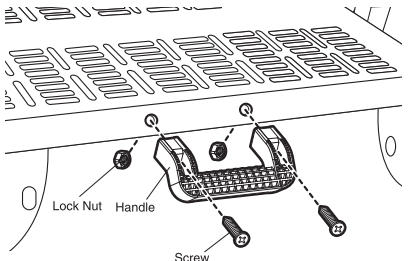


- Place the ultra-work stand in the upright position on a flat surface.

ASSEMBLE HANDLE

- Secure handle to frame with hardware supplied.

Figure 3



WARNING

Do not use the ultra-work stand until it is completely assembled and you have read and understood this entire operating manual and the operating manual of the tool being used with this ultra-work stand.

WARNING

Do not use the ultra-work stand for scaffolding or as a ladder. Make sure to securely tighten all fasteners before using. Maximum capacity is 330 lbs. (150 kg). Power tools on the ultra-work stand should not exceed a combined overall height of 60" (152.4 cm) from the floor.

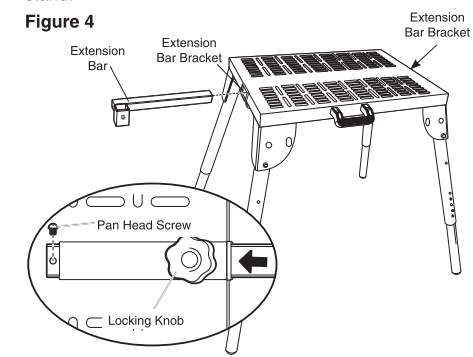
Exceltools.co.uk

ASSEMBLY

ASSEMBLE EXTENSION BAR/ROLLER BAR LOCKING KNOBS

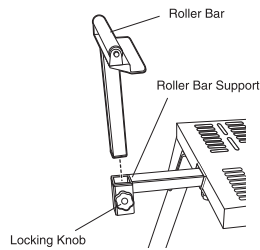
Refer to Figure 4, 5

The two extension bars can be assembled in the extension bar brackets found at the right and left of the stand.



- Slide the extension bar into the extension bar bracket. Insert the pan head screw into the hole in the end of extension bar.
- Slide the extension bar in or out to desired location and secure in place with locking knob.
- Place the roller arm into the roller bar support, slide up and down to desired location and secure in place with large locking knobs.

Figure 5



MOUNTING THE POWER TOOL

WARNING

Risk of accidental starting and serious personal injury. Unplug the power tool before attaching it to the ultra-work stand.

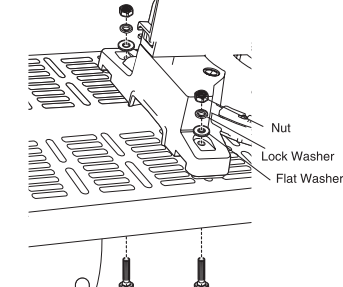
WARNING

Risk of serious personal injury. Always make sure the power tool is fully supported and securely attached to a level work surface. Make sure the ultra-work stand is located on a flat surface.

IMPORTANT: Use the mounting hardware supplied to mount the power tool to the ultra-work stand. Always insert the bolt from the bottom of the ultra-work stand. Secure at all four feet of the power tool.

- Place the tool to be used on the table top.
- Move the tool around until the hole pattern matches the slot combination on the table top, secure with the mounting hardware supplied.
- Insert the bolt through the bottom of the table and secure with flat washer, lock washer and nut.

Figure 6



Exceltools.co.uk

OPERATION

WARNING

Do not use the ultra-work stand for scaffolding or as a ladder. Make sure to securely tighten all fasteners before using. Maximum capacity is 330 lbs. (150 kg). Power tools on the ultra-work stand should not exceed a combined overall height of 60" (152.4 cm) from the floor.

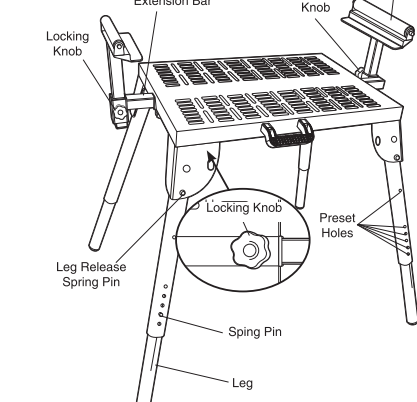
ROLLER BAR/EXTENSION BAR ADJUSTMENT

Refer to Figure 7. The extension bars move in and out to properly support the workpiece.

The roller bars are used as directional rollers or with the extension bars as stationary stop guides.

- Loosen the locking knobs and slide the extension bar in or out to desired position and tighten the locking knobs.

Figure 7



- Loosen the locking knobs, slide the roller bars up and down to desired location, tighten the large locking knobs.

LEG ADJUSTMENT

Refer to Figure 7

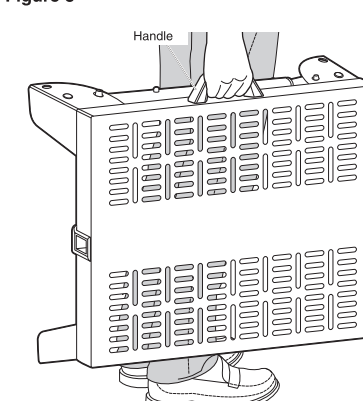
- To adjust the legs:
- Determine the work height needed based on the tool being used.
- Depress the spring pin on the leg and slide the leg up or down to the desired height. Release the spring pin into one of the six preset holes on the leg. Repeat on other three legs.

TRANSPORTATION/STORAGE

Refer to Figure 7, 8. Depress the leg release spring pins and fold up the legs. The legs will lock into place.

- Lift the ultra work stand by the handle.

Figure 8



MAINTENANCE

GENERAL MAINTENANCE

WARNING

When servicing, use only identical replacement parts. Use of any other parts may create a hazard or cause product damage. To ensure safety and reliability, all repairs should be performed by a qualified service technician.

WARNING

Keep the ultra-work stand dry, clean, and free from oil and grease. Always use a clean cloth when cleaning. Never use brake fluids, gasoline, petroleum based products or any strong solvent to clean the ultra-work stand. Chemicals can damage, weaken or destroy plastic which may result in serious personal injury.

Exceltools.co.uk

CONTACT US:

Tools4Trade Ltd	PHONE:
6 Fitzhamon Court,	01908 969966
Bradwell Wolverton,	Email:
Milton Keynes, MK12 6LB	sales@tools4trade.co.uk

Exceltools.co.uk