

EXCEL

240V

OPERATING INSTRUCTIONS



SKU: 11061

(2-IN-1)

15-32MM

HEAVY DUTY ELECTRIC STAPLER NAILER GUN

Danger! Read all safety regulations and instructions.
Keep all safety regulations and instructions in a safe place for future use.



Exceltools.co.uk

1. Introduction

Dear Customer,

We hope your new tool brings you much enjoyment and success.

Note:

According to the applicable product liability laws, the manufacturer of the device does not assume liability for damages to the product or damages caused by the product that occurs due to:

- Improper handling,
- Non-compliance of the operating instructions,
- Repairs by third parties, not by authorized service technicians,
- Installation and replacement of non-original spare parts,
- Application other than specified,

A breakdown of the electrical system that occurs due to the non-compliance of the electric regulations and regulations.

We recommend:

Read through the complete text in the operating instructions before installing and commissioning the device. The operating instructions are intended to help the user to become familiar with the machine and take advantage of its application possibilities in accordance with the recommendations. The operating instructions contain important information on how to operate the machine safely, professionally and economically, how to avoid danger, costly repairs, reduce downtimes and how to increase reliability and service life of the machine.

In addition to the safety regulations in the operating instructions, you have to meet the applicable regulations that apply for the operation of the machine in your country. Keep the operating instructions package with the machine at all times and store it in a plastic cover to protect it from dirt and moisture. Read the instruction manual each time before operating the machine and

carefully follow its information. The machine can only be operated by persons who were instructed concerning

the operation of the machine and who are informed about the associated dangers. The minimum age requirement must be complied with.

2. Scope of delivery

- Open the packaging and remove the device carefully.
- Remove the packaging material as well as the packaging and transport bracing (if available).
- Check that the delivery is complete.
- Check the device and accessory parts for transport damage.
- If possible, store the packaging until the warranty period has expired.

Attention

The device and packaging materials are not toys!

Children must not be

allowed to play with plastic bags, film and small parts!

There is a risk of swallowing and suffocation!

3. Proper use

The router can be used for rabbeting, rounding off, chamfering, routing of edges, as well as pitting in wood and plastic.

The machine meets the currently valid EU machine directive.

- The manufacturer's safety, operation and maintenance instructions as well as the technical data given in the calibrations and dimensions must be adhered to.

- Relevant accident prevention regulations and other generally recognized safety and technical rules must also be adhered to.

- The machine may only be used, maintained or repaired by trained persons who are familiar with the machine and have been informed about the dangers. Unauthorized modifications of the machine exclude a liability of the manufacturer for damages resulting from the modifications.

- The machine is intended for use only with original spare parts and original tools from the producer.
- The equipment is allowed to be used only for its prescribed purpose. Any other use is deemed to be a case of misuse. The user/operator and not the manufacturer will be liable for any damage or injuries of any kind resulting from such misuse.
- Please note that our equipment has not been designed for use in commercial, trade or industrial applications. Our warranty will be voided if the equipment is used in commercial, trade or industrial businesses or for equivalent purposes.

Residual risks

The machine is allowed to be used only for its intended purpose! Even when the equipment is used as prescribed it is still impossible to eliminate certain residual risk factors. The following hazards may arise in connection with the machine's construction and layout:

- Contact with the grinding wheel where it is not covered.
- Catapulting of parts from out of damaged grinding wheels.
- Catapulting of workpieces and parts of workpieces.
- Damage to hearing if essential ear-muffs are not used.
- Lung damage if no suitable protective dust mask is used.
- Health damage caused by hand-arm vibrations if the equipment is used over a prolonged period or is not properly guided and maintained.
- The use of incorrect or damaged mains cables can lead to electrical injuries.
- Although having regarded all considerable rules there may still remain not obvious remaining hazards.
- Minimize remaining hazards by following the instructions in "Safety Rules", "Use only as authorized" and in the entire operating manual.

4. Safety instructions

Caution! In order to protect yourself from the danger of electric shock, injury or fire when using electrical power tools, please observe the following basic safety precautions. Read all these requirements before you use the electrical power tool, and keep the safety advice in a safe place.

Working safely

1. Keep your working area clean and tidy.

- A disorderly working area can lead to accidents.

2. Be aware of the effects of the environment.

- Do not leave electrical power tools out in the rain.
- Do not use electrical power tools in moist or wet surroundings.

- Ensure that your working area is well lit.

- Do not use electrical power tools in areas where there is risk of fire or explosion.

3. Protect yourself from electric shock.

- Avoid touching earthed objects such as pipes, heating radiators, ovens or refrigerators with parts of your body.

4. Keep other people at a safe distance.

- Do not allow other people, in particular children, to touch the electrical power tool or the mains lead. Keep them away from your working area.

5. Store currently unused electrical power tools in a safe place.

- When not being used electrical power tools should be stored in dry conditions in a high or enclosed place, out of reach of children.

6. Do not overload your electrical power tool.

- By keeping within the specified working range of the tool you will work more safely and achieve a better result.

7. Use the right electrical power tool for the task.

- Do not use low-output devices for heavy tasks.
- Do not use an electrical power tool for purposes for which it was not intended. For example, do not use a hand operated circular saw for trimming tree branches or cutting logs.

8. Wear suitable clothing.

- Do not wear loose-fitting clothing or jewellery. They could become caught on moving parts.
- We recommend that you wear anti-slip footwear when working outdoors.
- If you have long hair, wear a hair net.

9. Use personal protective equipment.

- Wear protective glasses.
- Wear a dust mask if your work generates dust.

10. Attaching the vacuum dust extraction device.

- Where there are connection points provided for vacuum dust extraction please ensure that the connections are made and used properly.

11. Do not use the mains lead for purposes for which it was not intended.

- Do not use the mains lead to pull the plug out of the mains socket. Protect the mains lead from heat, oil and sharp edges.

12. Securely support the workpiece.

- Use clamps or a vice to grip the workpiece firmly. This is much safer than holding it with your hand.

13. Avoid placing your body in an unnatural position.

- Keep proper footing and balance at all times.

14. Look after your tools carefully.

- Keep cutting tools sharp and clean. This way you will work more safely and achieve better results.
- Follow the advice on tool lubrication and consumables replacement.
- Check the condition of the mains lead on your electrical power tool regularly and have any damage repaired by a competent specialist.
- Check the condition of extension leads regularly and replace them if they are damaged.
- Keep handles and hand grips clean, dry and free of oil and grease.

15. Pull the mains plug out of the mains socket.

- Do this if the electrical power tool is not being used, before carrying out maintenance tasks on the electrical power tool and whenever you are changing inserted tools, e.g. saw blades, drills or router bits.

16. Make sure that no spanners, keys etc. are left attached.

- Check before switching on that all spanners, keys and setting tools have been removed.

17. Avoid unintentionally starting up the device.

- Check that the switch is set to OFF on the device when the mains plug is inserted into the mains socket.

18. Using an extension lead for working outdoors.

- When working outside, always use an approved and appropriately labelled extension lead.

19. Remain alert.

- Watch what you are doing. Proceed with caution. Do not use electrical power tools if you cannot concentrate.

20. Check the electrical power tool for damage.

- Before the electrical power tool is used, carefully check the safety equipment and any slightly damaged parts to see that they are still working properly.
- Check that all moving parts on the tool are working properly, can move freely and are not damaged. All parts must be correctly attached and fulfil all the requirements necessary to allow the electrical power tool to operate properly.
- Damaged safety equipment and components must be properly repaired or replaced at a competent electrical equipment repair centre unless otherwise indicated in the operating instructions.
- Damaged switches must be replaced at a Customer Service Centre.
- Never use an electrical power tool that cannot be switched on and off properly.

21. Caution!

- The use of inserted tools and accessories other than those recommended by the manufacturer could lead to you being injured.

22. Have your electrical power tool repaired at an electrical equipment repair specialist.

- This electrical power tool complies with the relevant safety regulations. Repairs may only be carried out by a specialist electrical repair centre using original spare parts, otherwise injury could occur to the user.

SAFETY INSTRUCTIONS FOR TACKERS

- a) Secure the workpiece (a workpiece clamped with clamping devices or in a vice is held more securely than by hand) .
- b) Never push in the tacker head manually (there is danger of injury when at the same time the trigger is activated unintentionally) .
- c) Never use the tool for fastening electrical wiring (contact with electrical wires can lead to fire and electric shock) .
- d) Avoid damage that can be caused by screws, nails and other elements in your workpiece; remove them before you start working .
- e) In case of electrical or mechanical malfunction, immediately switch off the tool.
- f) Lumberjack can assure flawless functioning of the tool only when original accessories are used .
- g) This tool should not be used by people under the age of 16 years.
- h) Do not expose tool to rain.

5. Technical Data

Specifications:

Mains Voltage: 230-240V / 50Hz

Rated Current : 5A

Rated Firing Speed : ≤ 20 pcs/min

Staple specification:

Type 600

Wire Spec. : 18 Gauge

Crown Width : 5.7mm

Staple Length : 15-25mm

Brad Nail Specification:

Type F

Wire Spec. : 18 gauge

Brad Width : 2.0mm

Nail Length : 15-32mm

Product Features

A. Lever for loading magazine

B. Slider

C. Magazine

D. Tacker head

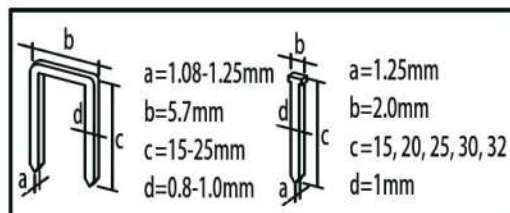
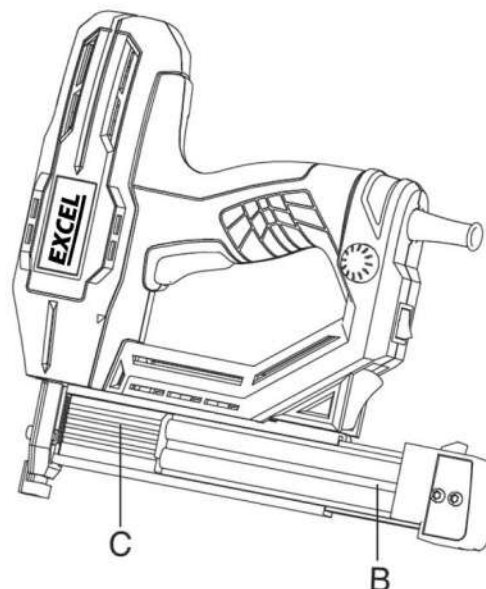
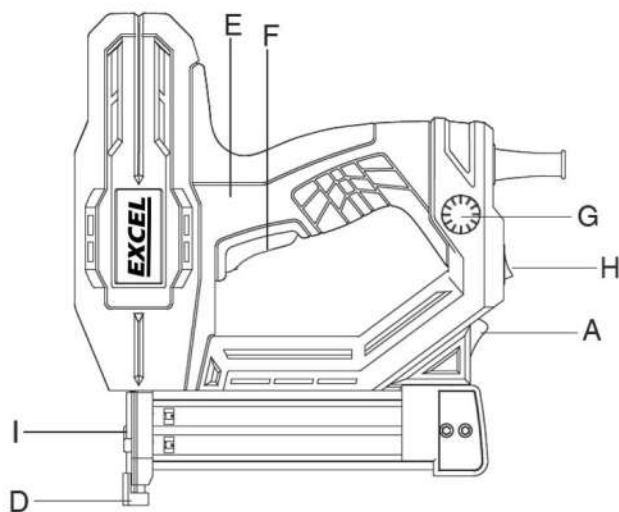
E. Soft grip handle

F. Trigger

G. Impact control adjustment knob

H. ON/OFF Switch

I. Non-marring nose tip

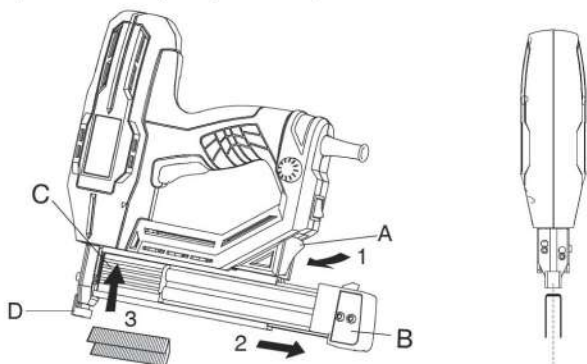


6.Operation

USE

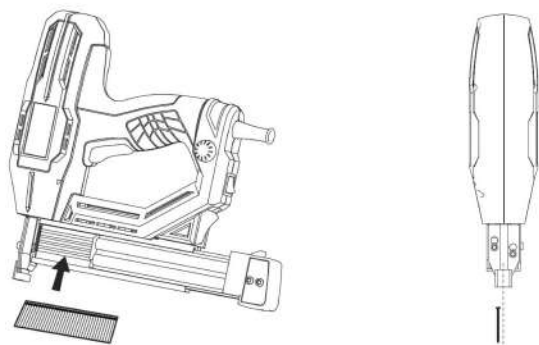
Loading staples/nails

- Tilt the tool or lay the tool flat, so the staples or nails will not drop out while loading
- Press lever A while pulling slider B backwards
- Place the nail strip into magazine C
(maximum capacity 90 nails)



Attention: Make sure that

- The staple strip is loaded with the crown aligning with the top line of the magazine C
- The nail strip is loaded with the tapered end aligning with the bottom line of the magazine C, so the brad nail head rest right into the grooves which corresponds with the symbol of nail length on tacker head D



- Push slider B against tacker head D until it snaplocks

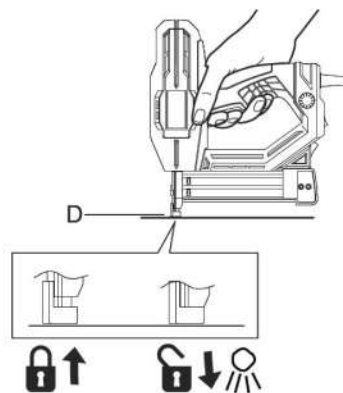
Operating the tool

- Firmly press tacker head D against the work piece until it is pushed in a few millimetres.
- Briefly press trigger F and then release again
- Trigger F is locked as long as you do not press tacker head D against the work piece,

Thus preventing accidental operation

- At 20 shots/min, tacker should be allowed to cool down after 30 minutes as it is only rated for short-time duty.

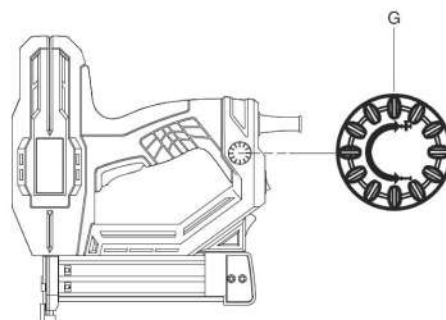
Warning! Remove all staples/nails from the magazine after each use



Impact control

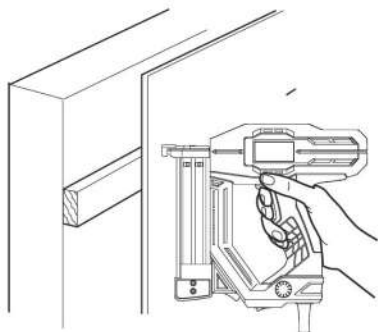
With knob G the required impact level can be adjusted in steps

- Indicator G shows the selected impact level
 - “-” for thin and light materials such as foils and fabrics
 - “+” for thick and tough materials such as hard woods and walls
- Before starting a job, find the optimal impact level by testing out on spare material

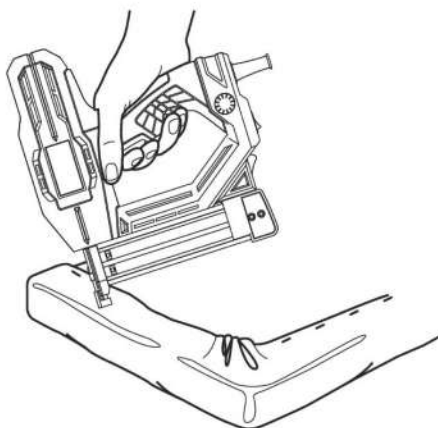


APPLICATION ADVICE

- Fastening panels.



- Do not use the tool for fastening ceiling panelling on profiled wood or grooves.



- Fixing textiles!

- Avoid blank shots in order to reduce the wear of the impact strike.

NAIL INSTRUCTIONS FOR TACKERS

- Roughly, the hardness of wood is divided into 3 levels:

High

Medium

Low

NO.	Wood	Wood hardness	Length of nail (mm)	Hand Operation
1	Beech Wood	High	15, 20, 25	<p>Two hands operation (see picture). One hand operation is not suggested.</p>
2	Oak		15, 20, 25	
3	Medium Density Fiberboard	Medium	15, 20, 25	
4	Solid Wood		15, 20, 25, 30	
5	Pine	Low	15, 20, 25, 30, 32	
6	plywood		15, 20, 25, 30, 32	
7	Cedar		15, 20, 25, 30, 32	

NO.	Wood	Wood hardness	Length of staple (mm)	Hand Operation
1	Beech Wood	High	15 - 16	<p>Two hands operation (see picture). One hand operation is not suggested.</p>
2	Oak		15 - 16	
3	Medium Density Fiberboard	Medium	15 - 20	
4	Solid Wood		15 - 20	
5	Pine	Low	15 - 22	
6	plywood		15 - 22	
7	Cedar		15 - 22	

- Nails of different length are applicable for different wood hardness.

- The tool has recoil when firing, so two hands operation is suggested, to have a better control of the operation.

UNBLOCKING JAMMED FASTENERS

- In the unlikely event that nails become jammed, follow these instructions to remove them

Warning! Unplug power cord from power source before removing

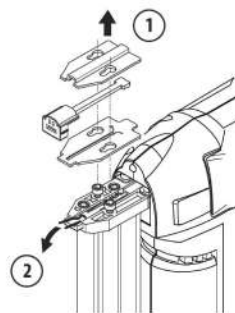
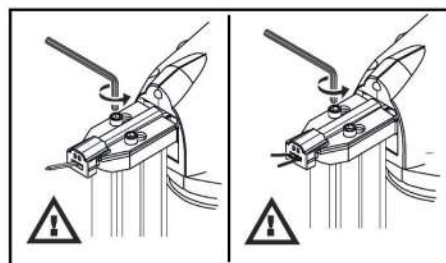
- Remove the nose tip I

- Remove the plate retaining bolts

- Remove the safety mechanism retaining plate

- Remove the firing pin retaining plate

Warning! Note the location as well as the order in which parts are removed from the tacker, this will make it easier to rebuild it



8. Maintenance and Cleaning

Before any work on the tools itself, pull the mains plug.

For safe and proper working, always keep the dust collector and ventilation slots clean.

If the replacement of the supply cord is necessary, this has to be done by an authorized service agent in order to avoid a safety hazard.

If the dust collector should fail despite the care taken in manufacturing and testing procedures, repair should be carried out by an authorised service centre.

General inspection

Regularly check that all the screws are tight as they may vibrate and loosen over time.

Inspect the power cable(3) prior to each use for damage or wear.

Repairs should only be carried out by an qualified technician.

Keep your tool clean at all times. Dirt and dust will cause internal parts to wear quickly and shorten the tool's service life. Clean the body of the tool with a soft brush or dry cloth.

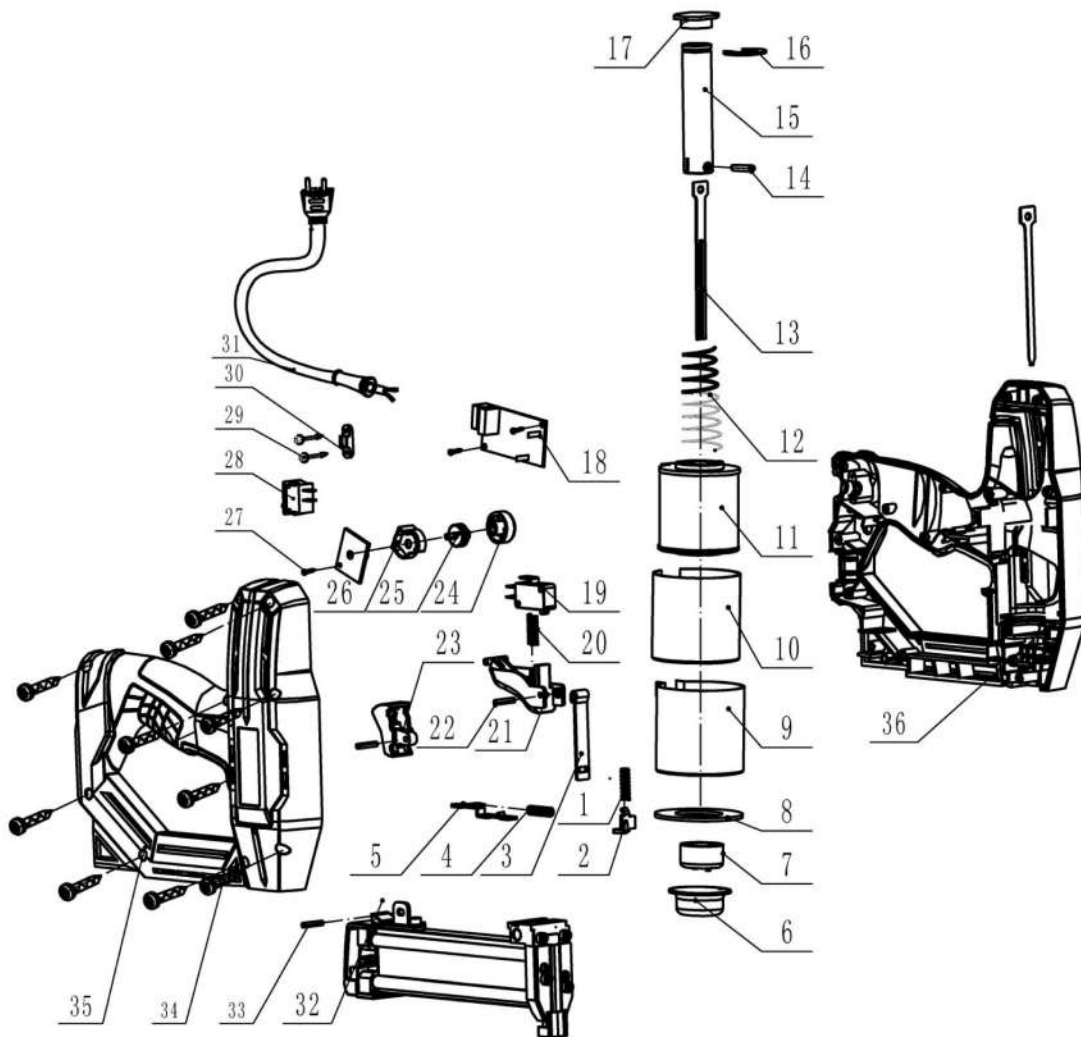
We recommend using compressed air when possible to clean down the sander. This aids the products longevity.

CAUTION: Never use caustic agents to clean plastic parts. If dry cleaning is not sufficient, using a mild detergent on a damp cloth is recommended.

WARNING! Do not allow the tool to come into contact with water or any other liquid. Ensure the tool is thoroughly dry before using it. If available, use clean, dry, compressed air to blow through the ventilation holes(where applicable).

Surfaces need to be clean, free of dirt and foreignmatter (hair, sand etc.) and in good condition.

Parts Diagram and Parts List



Parts Diagram and Parts List

No.	Description	No.	Description
1	Bumper spring	16	Switch
2	Insurance link 1	17	The trigger spring
3	Trigger limit plate	18	The trigger
4	Insurance link 2 spring	19	Cylindrical pin
5	Insurance link 2	20	Guide rail lock
6	Damping set	21	A knob
7	Damping block	22	Knob rotation
8	Magnetic shield gasket	23	Potentiometer shield
9	Magnetic shield	24	Cross head self-tapping screw
10	Insulation gasket	25	Switch
11	Coil components	26	Cross head self-tapping screw
12	Core spring	27	Line pressing buttons
13	Core pack	28	The power cord
13.1	Laminations	29	Guide rail component
13.2	Absorption of iron core	30	Cylindrical pin
13.3	Elastic cotter pin	31	Cross head self-tapping screw
13.4	Open ring	32	Right shell
14	Damping block	33	The left shell
15	Circuit board	34	Lock spring

EXCEL

CONTACT US:

Tools4Trade Ltd.

6 Fitzhamon Court, Bradwell Wolverton,
Milton Keynes, MK12 6LB

PHONE:

01908 969966

Email:

sales@tools4trade.co.uk

Exceltools.co.uk