

Boom Armanac / Owners Guide

MULLET™

STOP. DROP. & ROLL.

TIME TO PUT YOUR THIRDHAND TO USE.

B1

The Mullet™ ThirdHand™ Dust Collection Boom Arm

WARNING



Messes come in all shapes and sizes, and we're here to help dispose of virtually all of them. But that doesn't mean you should use your Mullet Tools product in all situations.

Be sure to read and follow all safety instructions below and that of other tools that you use with your Mullet Tools product before getting started.

- Don't vacuum anything that is hot, burning or smoking, such as cigarettes, matches or hot ashes.
- Never vacuum explosive liquids (e.g., gasoline, paint thinner, etc.), acids or solvents (or their vapors), or operate in areas where flammable or explosive liquids are present.
- Don't vacuum combustible explosive materials, such as coal, grain, or other finely divided combustible material.
- To avoid spontaneous combustion, empty dump bin after each use.
- Don't vacuum hazardous, toxic or carcinogenic materials, such as asbestos or pesticides.
- Observe all warnings and safety instructions from your suction source, including disconnecting the power source before servicing your Mullet Tools product and wearing proper safety equipment while operating.

WARRANTY



.....

We're dedicated to making quality tools that perform day in and day out. If there's an issue with your Mullet Tools product, we provide the below warranty.

LIMITED WARRANTY

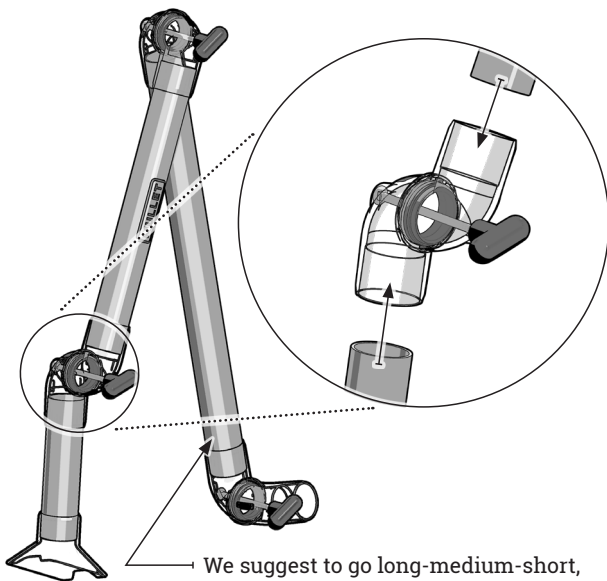
This Mullet Tools product is warranted against defects in materials and workmanship for 1 year after the original date of purchase from a Mullet Tools authorized dealer and only applies to non-commercial use by the original owner. Structural alterations and use inconsistent with that outlined in this owners manual would not be covered under this warranty. Additionally, normal wear and tear is not warranted. Your Mullet Tools product must be returned directly to Mullet Tools. We will repair or replace, at our discretion, the defective product or part.

There are no express warranties other than the warranty set forth herein. **ANY IMPLIED WARRANTIES, INCLUDING ANY IMPLIED WARRANTIES OF MERCHANTABILITY OR FITNESS FOR ANY PARTICULAR PURPOSE, ARE LIMITED TO THE DURATION OF THIS EXPRESS WARRANTY.** Some States do not allow limitations on how long an implied warranty lasts, so the above limitation may not apply to you.

UNDER NO CIRCUMSTANCES, WHETHER FOR BREACH OF WARRANTY, BREACH OF CONTRACT, NEGLIGENCE, OR OTHER TORT, OR ANY STRICT LIABILITY THEORY, WILL MULLET TOOLS BE LIABLE FOR ANY INCIDENTAL OR CONSEQUENTIAL DAMAGES. Some States do not allow the exclusion or limitation of incidental or consequential damages, so the above limitation or exclusion may not apply to you. This warranty gives you specific legal rights, and you may also have other rights which vary from state to state. The warranty is only available in the United States. No Mullet Tools reseller, agent, or employee is authorized to make any modification, extension, or addition to this warranty.

BOOM ARM, ASSEMBLE!

Your Boom Arm comes mostly assembled. Simply insert pipe into Pivots and Hood ensuring fully seated.

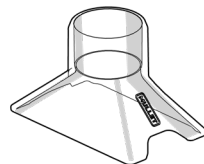


We suggest to go long-medium-short, in that order, to elevate your Boom Arm out of the way of your work. But, hey, it works any other order as well.

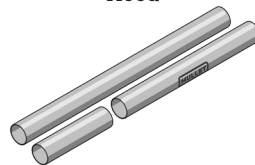
WHAT YOU GOT



Clear, StayAndPlay™
Polycarbonate Pivots 3x



Clear, Polycarbonate Dust
Hood



1 1/2" Thin-Wall Furniture
Grade PVC Pipe (light gray)
24, 16 & 8 inch sections

PRO TIP PIVOT TEE KNOBS

Arrange Pivots so that Tee Knobs are all on same side of pipe making them easily accessible with one hand.

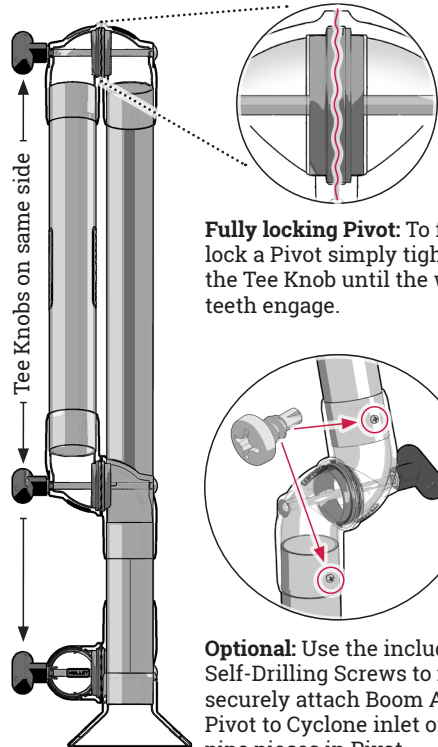
PRO TIP CENTER OF GRAVITY

Arrange the pipe and Pivots to keep the center of gravity as narrow as possible. Newton, you and maybe your toe will appreciate a stable setup.

MISSING SOMETHING?

HELP

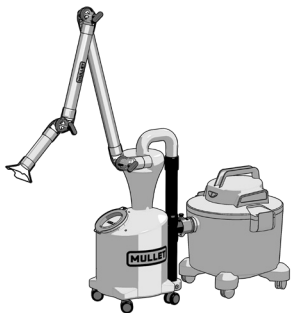
Think we might have shorted you?
Our man Gus will get you sorted.
gus@mullettools.com



Fully locking Pivot: To fully lock a Pivot simply tighten the Tee Knob until the wave teeth engage.

Optional: Use the included Self-Drilling Screws to more securely attach Boom Arm Pivot to Cyclone inlet or pipe pieces in Pivot.

NOW, LET'S ATTACH IT TO...

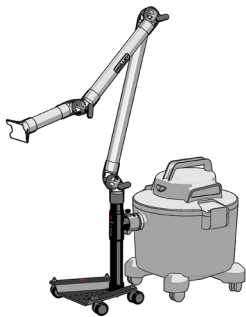


MULLET CYCLONE

Connect to your Mullet® High-Speed Cyclone Dust Collector.

Part no. 3900-110

[View Page 7](#)

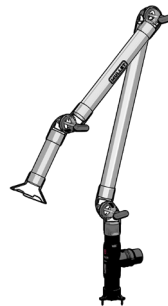


SHOP VAC

Connect to your vac or dust extractor with the Mullet StabilQuad™ Base.

Part no. 3901-110

[Go to Page 8](#)



WORKBENCH

Mount securely to your workbench.

Part no. 3902-110

[Jump to Page 14](#)

WATCH THE ASSEMBLY VIDEO

Not following how it all comes together? Or just more of a visual person? Check out the short video showing assembly of each configuration.



MULLET CYCLONE

MULLET

CONNECT TO YOUR MULLET HIGH-SPEED CYCLONE DUST COLLECTOR.

Part no. 3900-110

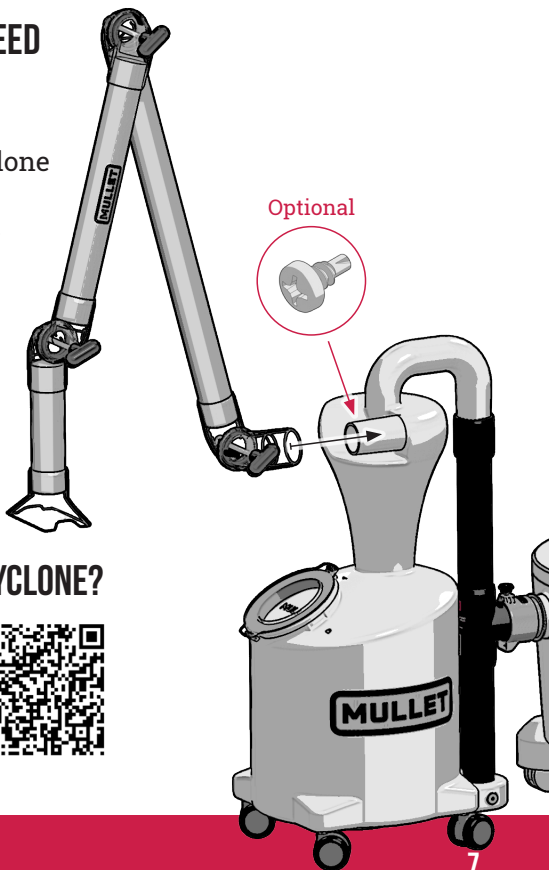
Simply slide Pivot **FIRMLY** onto Cyclone inlet. That's it! You're ready to start sucking (and separating) some dust.

PRO TIP MORE SECURE ATTACHMENT

Use the included Self-Drilling Screws to more securely attach your Boom Arm Pivot to Cyclone inlet or pipe piece in Pivot.

NOT USING A MULLET HIGH-SPEED CYCLONE?

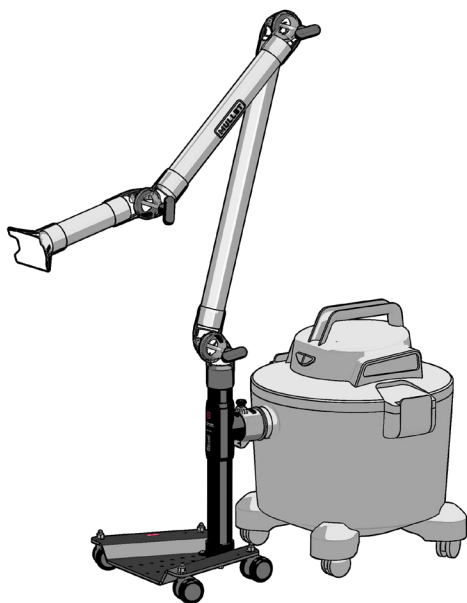
It pre-separates debris keeping your vac filter clean and suction strong. Learn more about how it can complement your new Mullet Boom Arm.



SHOP VAC

CONNECT TO YOUR VAC OR DUST EXTRACTOR WITH THE MULLET STABILQUAD BASE.

Part no. 3901-110



WHAT YOU GOT



1/2" Blind Tee



1/2" Schedule 40 Furniture Grade PVC Pipe (black)
24 inch section



Mullet® Wet Dry
Shop Vac Hose
Adapter

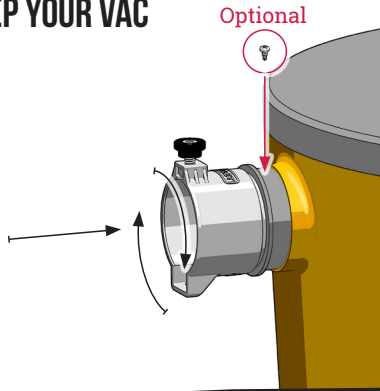


PVC Cut Sticker



StabilQuad Base
with Casters

1. PREP YOUR VAC

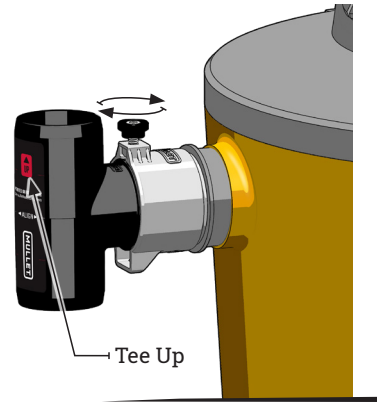


Insert smaller end of Hose Adapter into vac inlet and **MAKE SURE IT IS FULLY SEATED**. Twist and push as needed.

PRO TIP ELEVATED SURFACE

Use a table or workbench to get your vacuum and Boom Arm StabilQuad Base up at waist level for easier assembly.

2. TEE IT UP



Fully insert Tee into Hose Adapter*.

ENSURE ARROW ON TEE IS POINTING UP.

Tighten Hose Adapter Thumb Screw onto Tee.

DO NOT OVERTIGHTEN.

*If you have an angled vac inlet see page 15.

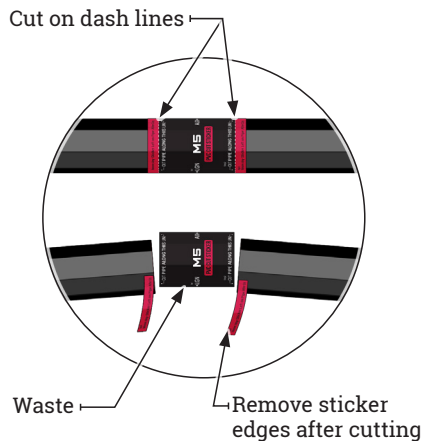
SHOP VAC CONTINUED

3. MARK YOUR CUT



On a flat surface, bring vac up alongside your Base. Place PVC cut sticker on pipe so that center marks **ALIGN** on Tee and PVC stickers.

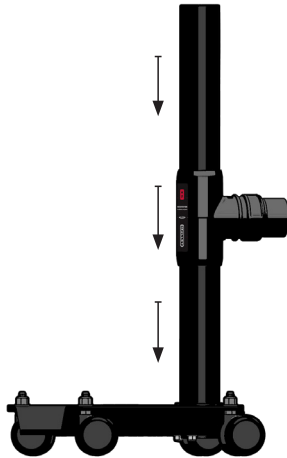
4. CUT PVC PIPE



Make straight cuts* on dash lines of PVC cut sticker. Clean any shavings from pipe.

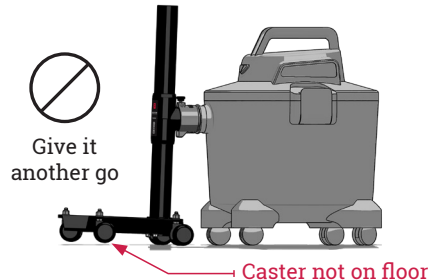
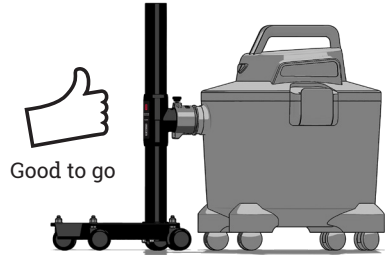
Remove any sticker left on pipe after cutting.

5. ASSEMBLE PVC PIPE



Insert bottom section of pipe along with Tee. Insert upper pipe section into Tee. Ensure all pipe fully seated.

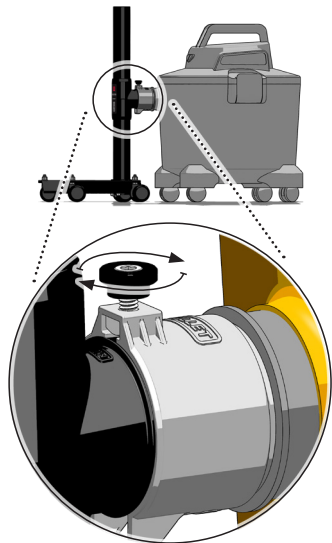
6. CHECK FIT



Bring your Base and vac together on a flat surface. Insert Tee on Base into Hose Adapter on vac.

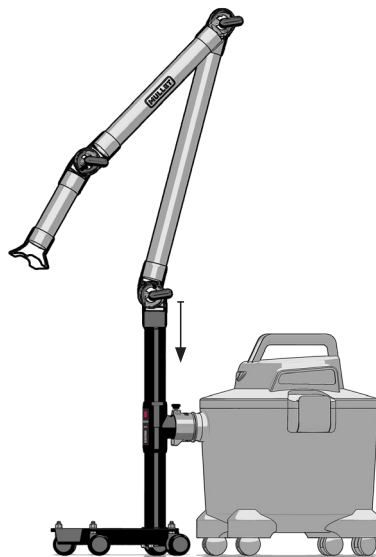
SHOP VAC CONTINUED

7. CONNECT THEM



Once everything aligns, ensure Tee is fully inserted into Hose Adapter and tighten Thumb Screw. **AGAIN, HERCULES, DON'T OVERTIGHTEN.**

8. ADD THE BOOM BOOM



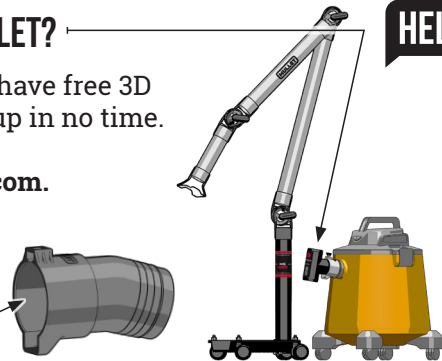
Firmly place Boom Arm Pivot on top piece of pipe. Turn on vacuum and start eating some dust!

DOES YOUR VAC HAVE AN ANGLED INLET?

In the unlikely case that it does, we have free 3D printed adapters to get you hooked up in no time.

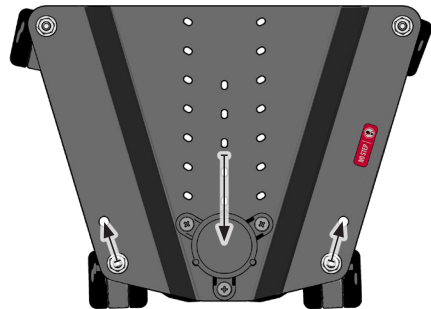
Get in touch with gus@mullettools.com.

3D Printed Angled Adapter



PRO TIP PIPE PLACEMENT ON BASE

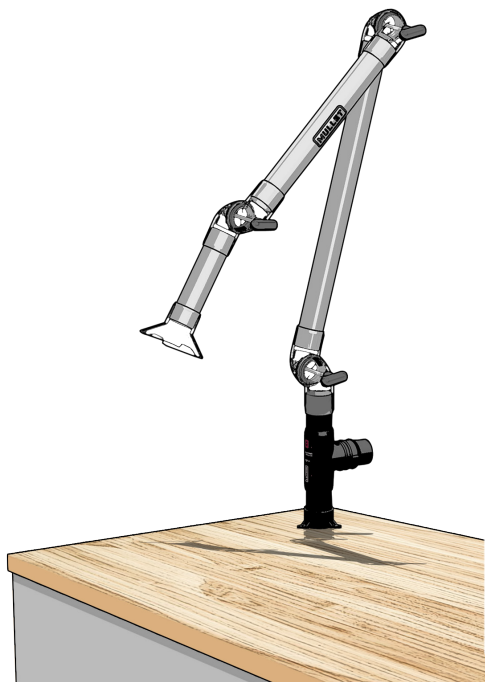
Your base comes pre-assembled to fit most shop vacs/dust extractors. Should the base or its wheels interfere with your vac, reposition the PVC Table Mount back and the rear casters forward.



WORKBENCH

MOUNT SECURELY TO YOUR WORKBENCH.

Part no. 3902-110



WHAT YOU GOT



Vac Hose Bushings 4x



#10 Cap Mounting Screws for Wood* 3x



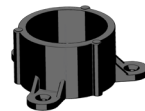
1/2" Blind Tee



1/2" Schedule 40 Furniture Grade PVC Pipe (black) 4 inch section 2x

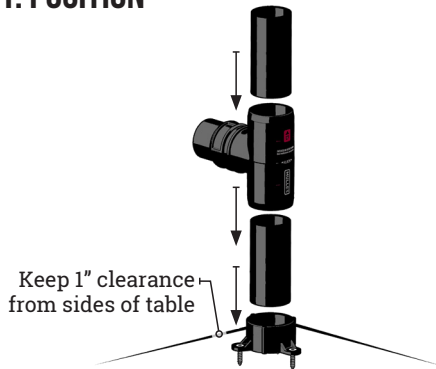


Mullet Wet Dry Shop Vac Hose Adapter



1/2" PVC Table Mount

1. POSITION

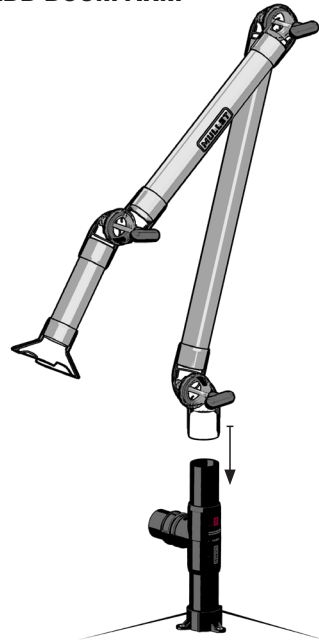


Position Table Mount at least one inch from workbench edge.

Install included #10 Mounting Screws* into workbench top.
DON'T OVERTIGHTEN.

Firmly insert pipe, then Tee (“UP” arrow up), and second piece of pipe.

2. ADD BOOM ARM

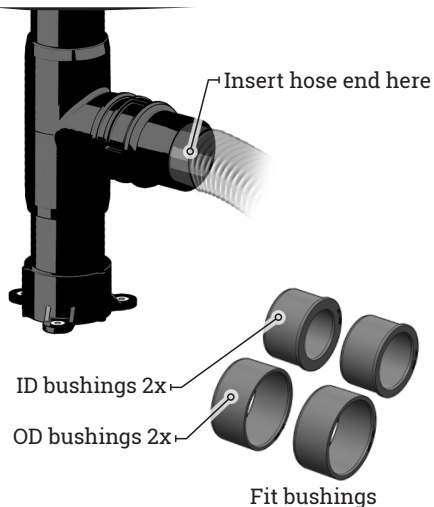


Firmly place Boom Arm Pivot on pipe.

*Note: Depending on your workbench material, you may need different screws. Visit your hardware store for other #10 options.

WORKBENCH

3. INSERT HOSE, START EATING DUST



Insert your vacuum hose into Tee.

If needed, find an included Bushing that creates a tight friction fit either inside or outside Tee.

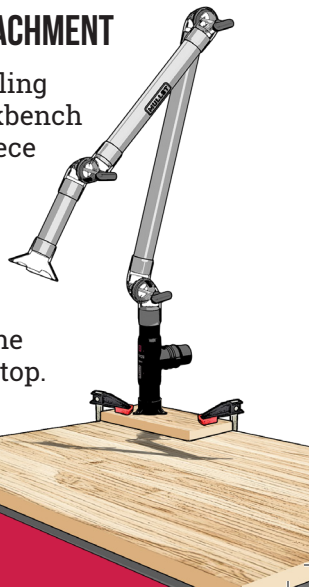
DOES YOUR VAC HOSE NOT FIT TIGHT?

HELP

A round or two of electrical tape can work wonders. If that still doesn't do it, get in touch with gus@mullettools.com.

PRO TIP TEMP ATTACHMENT

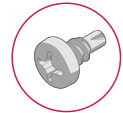
Worried about drilling holes in your workbench top? Grab a 2x4 piece and some clamps, which will allow you to quickly detach and move out of the way for jobs that require the entire workbench top.



PRO TIP PIPE PLACEMENT ON BASE

Get that snagging hose up outta da way. Replace Dust Hood with Hose Adapter to attach to pipe. Say goodbye to snags and hello to easy drags.

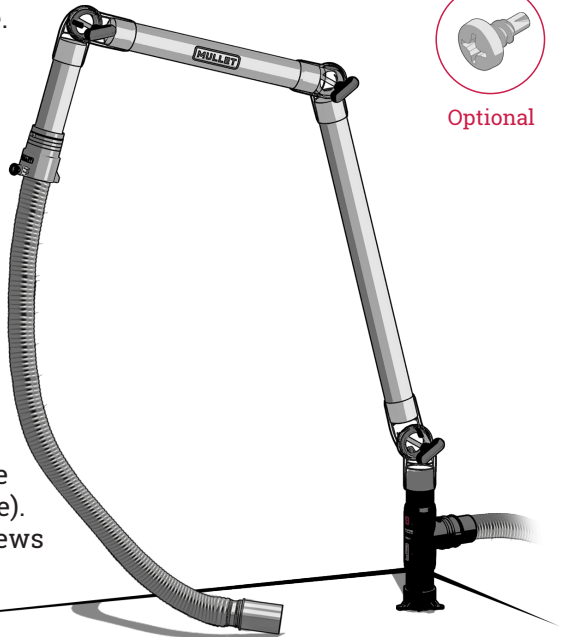
Optional: Use the included Self-Drilling Screws to more securely attach your Boom Arm Pivot or Hose Adapter to Pipe.



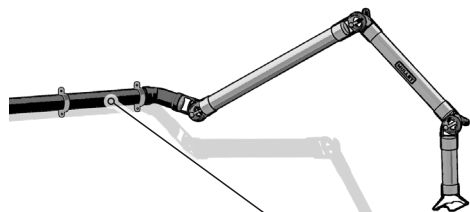
Optional

**WARNING**

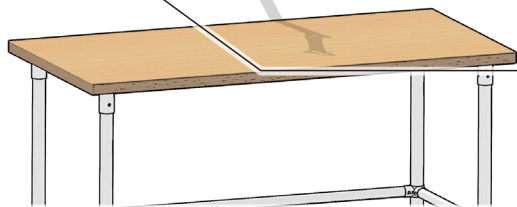
Assembled Boom Arm pieces can detach falling on user, especially if suspended overhead. Ensure a proper friction fit is achieved by firmly pressing parts onto pipe and Cyclone inlet (if applicable). Use included Self-Drilling Screws to lock parts in place.



CUSTOMIZE TO YOUR LIKING



The Mullet ThirdHand Boom Arm is fully modular. Add/remove sections, shorten pipe, attach to the wall ... the world is your oyster, my friend.



Hard plumbed 1½" PVC ducting

NEED A REPLACEMENT?

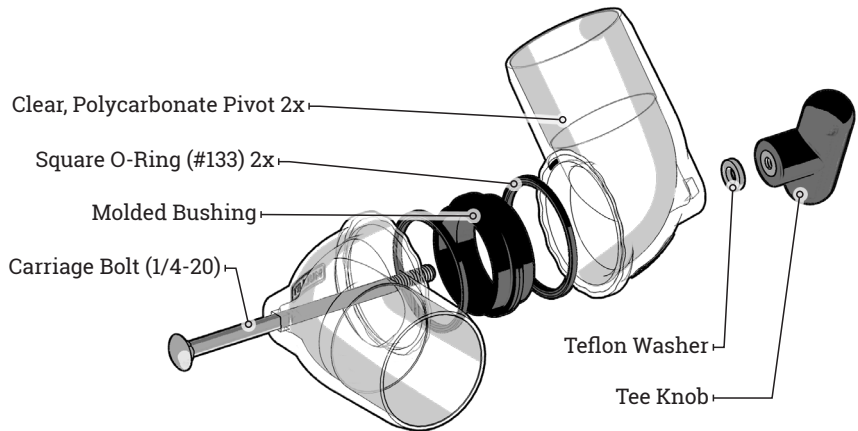
WANT AN EXTRA SET TO BUILD OUT YOUR SHOP?

No sweat. Every component is replaceable and easy to tack on added sections. Use the QR code, or go to mullettools.com, to view available parts and accessories.



SERVICING YOUR BOOM ARM

MULLET



Your Mullet Boom Arm is designed to make an endless amount of memories. But there are a couple of components that can wear over time.

O RINGS

Worn O Rings can crack or compress over extended use compromising easy rotation. Find replacements at mullettools.com.

TEFLON WASHERS*

Careful not to lose these little buggers when disassembling your Pivots, as the Tee Knobs may not hold in place. But no sweat if you do – more can be found at mullettools.com, along with virtually every other component.

*Note: Without Teflon washer Tee Knob may tighten or loosen when rotating.

TROUBLESHOOTING

1) Pipe pulls out of pivot.

That's intended so that you can modify the setup for your shop. But if you want to lock it more permanently in place, use the included Self-Drilling Screws to attach Pivots, Dust Hood or Hose Adapter to pipe or Cyclone inlet.

2) Pivot is rotating on cyclone inlet.

Ensure the Pivot is firmly pushed into the Cyclone inlet. You can also use an included Self-Drilling Screw to more permanently lock it in place.

3) My vac has an angled inlet when attaching the base.

No sweat. It's rare, but Gus can get you a free 3D-printed adapter to get you connected lickity split. Get in touch with gus@mullettools.com.

4) The base interferes with my shop vac or dust extractor's wheels.

Ensure the base is centered relative to your vac and its inlet. If it still interferes, move the base forward (away from your vac) by moving the rear casters to the alternate set of holes and moving the PVC Table Mount back towards the rear of the base.

5) My hose doesn't fit into the tee on my workbench.

Gus can help solve this problem, too. Hit him up at gus@mullettools.com. Just don't ask for tax advice.

.....

6) I've lost suction.

Check for blockages at the Pivot joints or in the pipe. Simply remove, clear and re-attach.

7) Knob is loosening / tightening when rotating pivots to new positions.

You may have lost the Teflon washer when removing the Tee Knob fully from the Carriage Bolt. If so, you can pick up spares at mullettools.com.

8) My neighbor borrowed my (insert tool here) and hasn't brought it back.

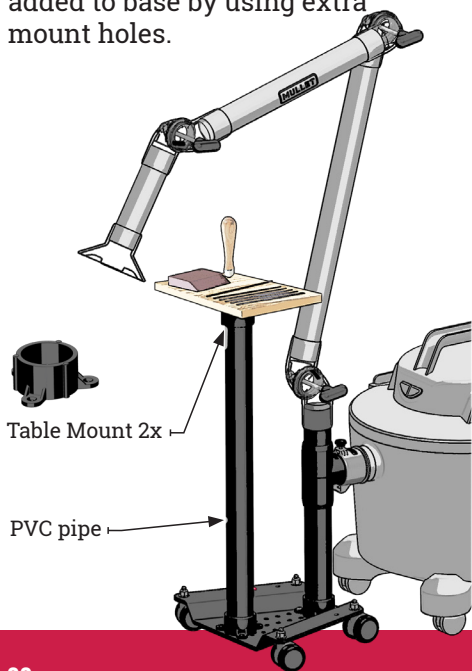
Ah, a common issue. While time-consuming, we recommend shame. As defined, this is best done in front of others. Ask if you can back up their boat trailer for them, straighten their mailbox post, or fix a sagging gate in front of friends and family. Jobs that require your tool to accomplish offer a window to see if you can "borrow it back".

**Your question not answered here? Get in touch with our man, Gus.
gus@mullettools.com**

ADDITIONAL TIPS + TRICKS

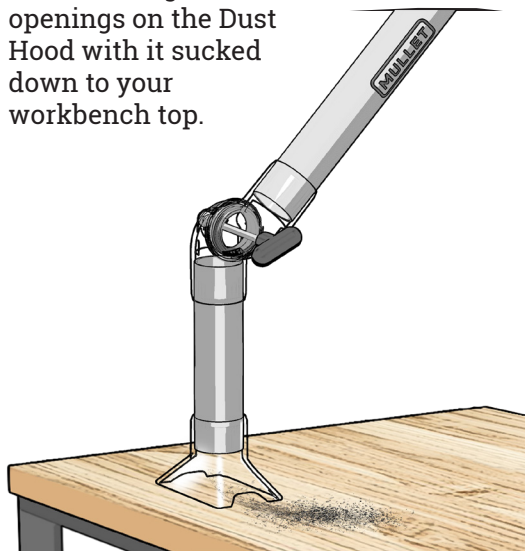
DENTAL PRECISION

For those of you who work on a smaller scale (all you railroaders and model builders), a tray can be added to base by using extra mount holes.



ON-DEMAND DUST RECEPTACLE

Similar to the pneumatic tubes at the bank, constant suction while working at your bench can serve as a great trash receptacle. Push shavings or other small debris through the side openings on the Dust Hood with it sucked down to your workbench top.



MULLET? LIKE THE FISH?

MULLET

Sure. But it's more of a mindset. We make tools for folks who roll like us. And we roll a little differently, it seems, than other companies of today.

We're constantly looking to add value instead of cheapening our products. And we think service isn't from a bygone era.

Check out what else we have to offer. And sign up to ensure you're first in line to see what we tackle next.

Mullet High-Speed Cyclone Dust Collector

The world's first and only single-piece cyclone and dump bin base giving you faster air speeds and more suction in a truly mobile package out of the box. No more expanding the littleones four-letter-word vocabulary when your old, warped cyclone tips over for the hundredth time.

Buy direct at mullettools.com



mullettools.com





Mullet Tools, LLC
PO Box 1106
Dripping Springs, TX 78620
mullettools.com