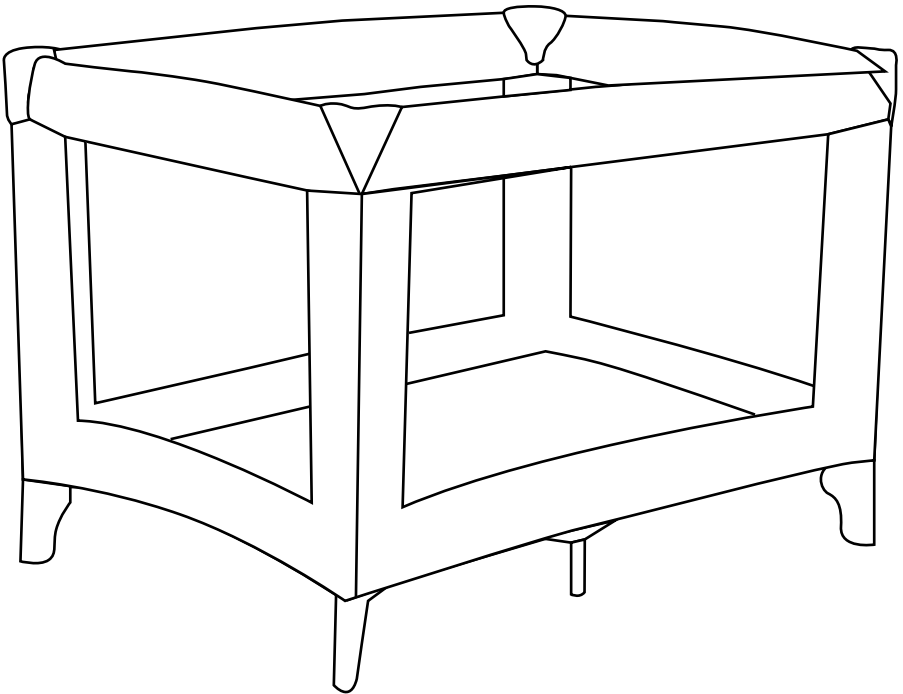


# MyBabiie®

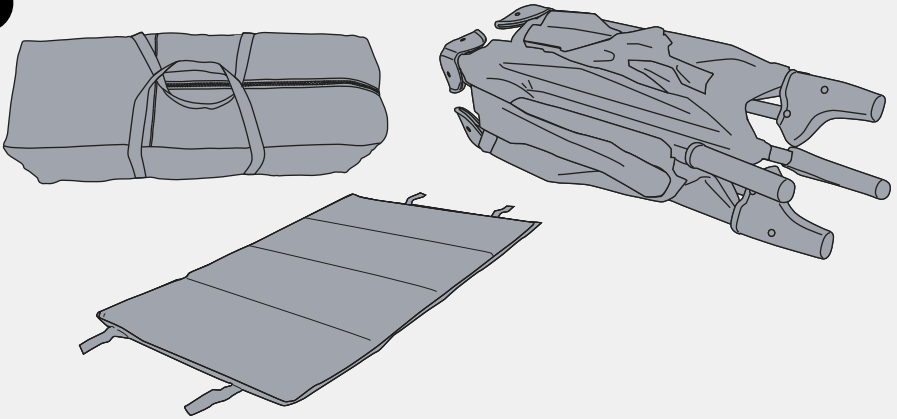
For little people who dream big

## MBTC1 Travel Cot Instructions

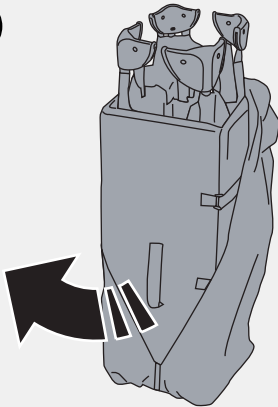


**IMPORTANT!**  
**KEEP FOR FUTURE REFERENCE AND READ CAREFULLY**

1

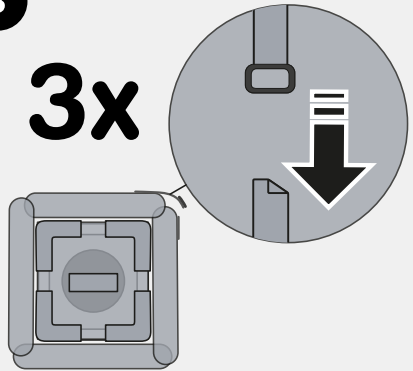


2

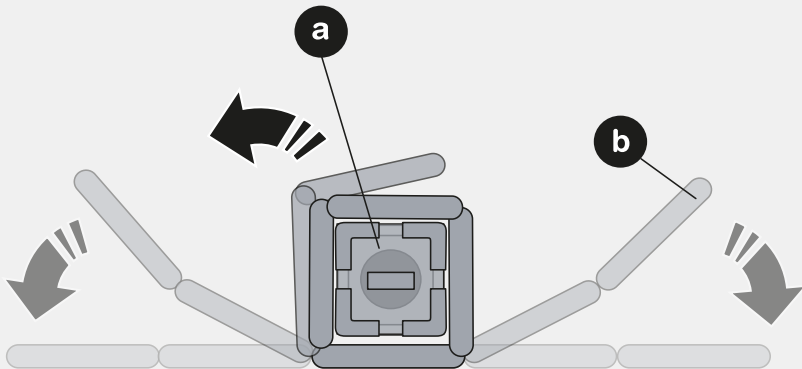


3

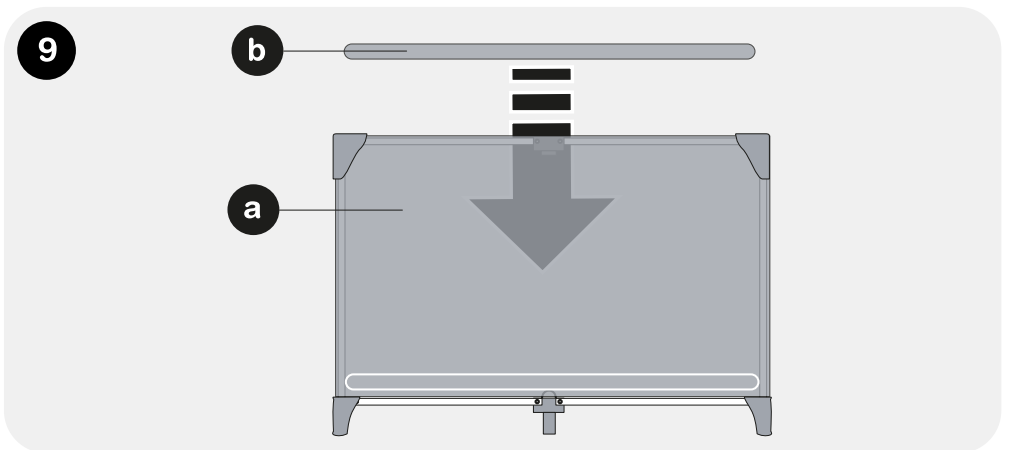
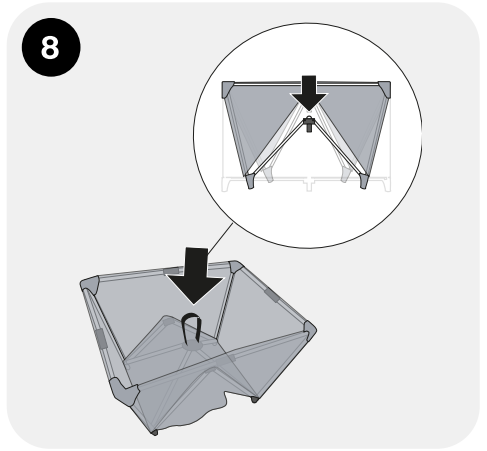
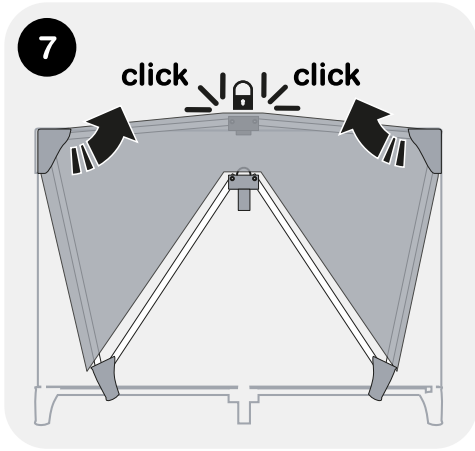
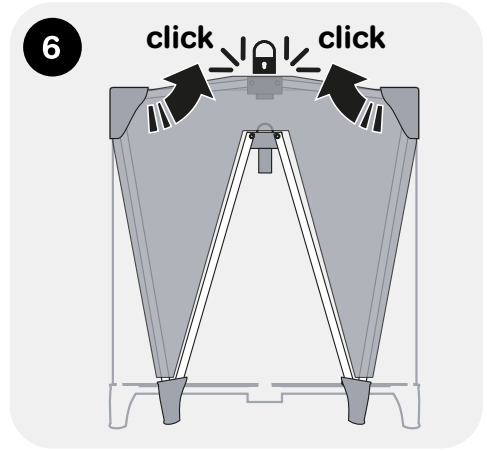
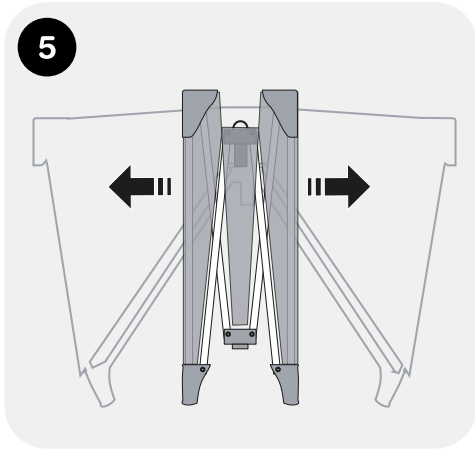
3x



4

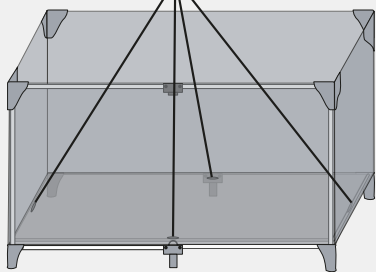
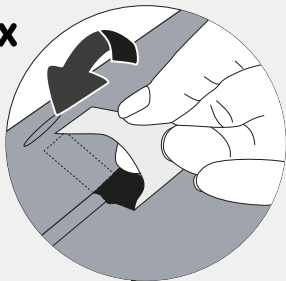


2



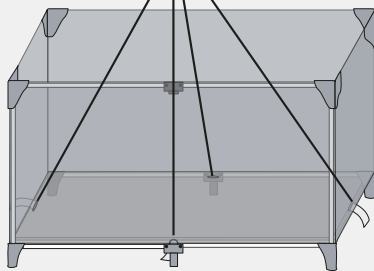
10

4x

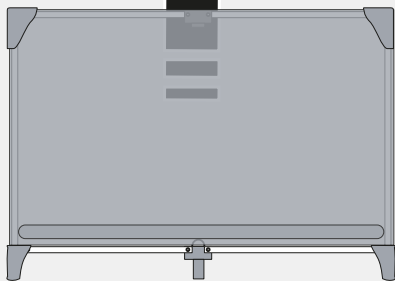
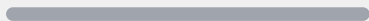


11

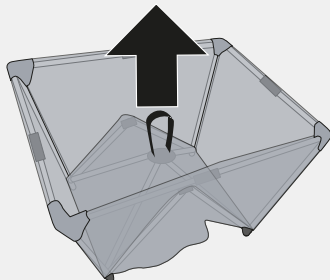
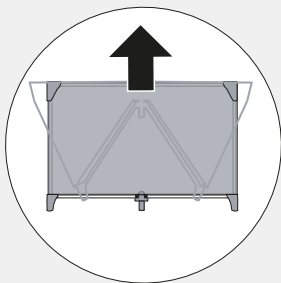
4x

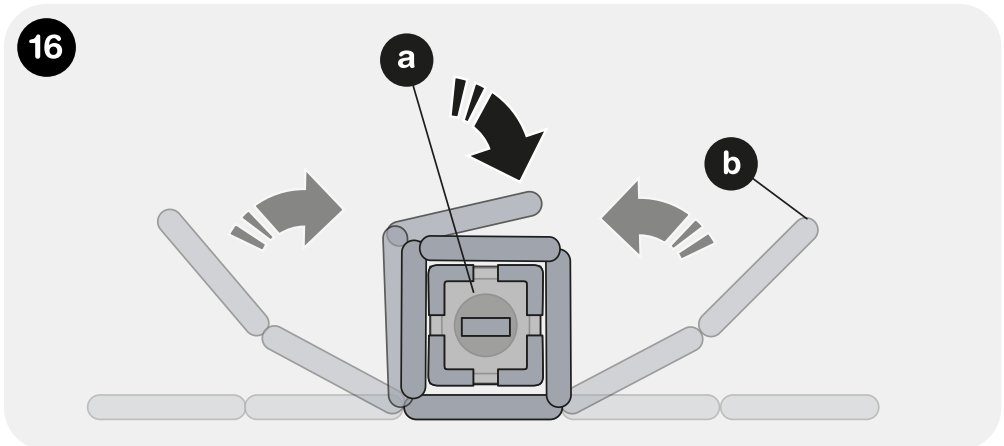
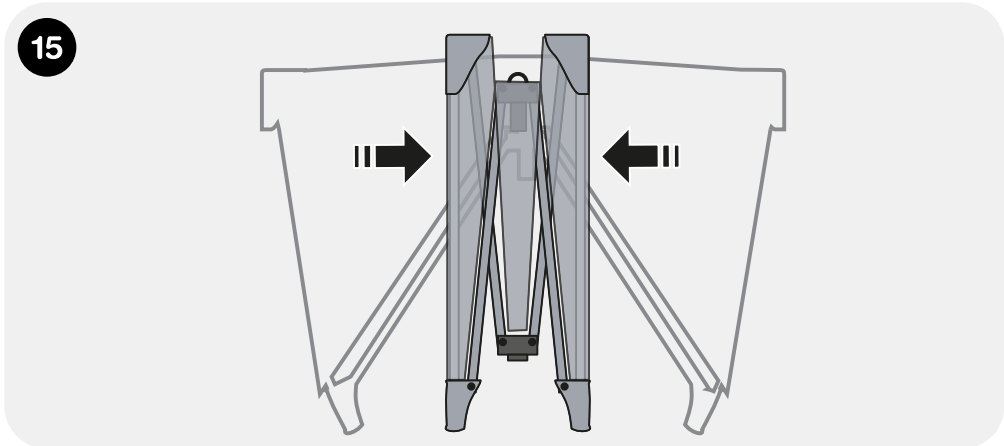
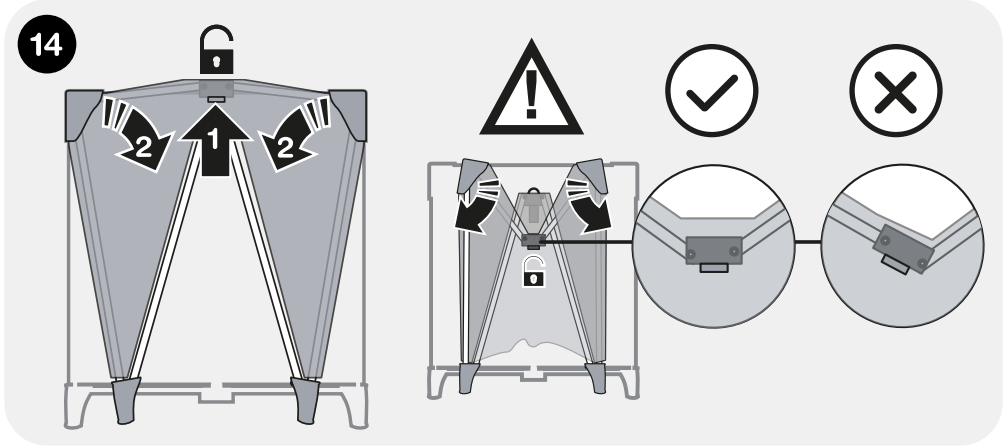


12



13





## IMPORTANT, RETAIN FOR FUTURE REFERENCE: READ CAREFULLY

---

Please read these instructions carefully before use and keep them for later reference.

Remove all packaging and non-permanent labels and dispose of safely before using this product. The safety of your child could be put at risk if you do not follow these instructions.

Suitable from birth to 36 months, up to 15kgs.

**WARNING:** Keep all children away from the cot during assembly and folding.

**WARNING:** Be aware of the risk of open fires and other sources of strong heat, such as electric bar fires, gas fires, e.t.c. in the close vicinity of the cot.

**WARNING:** Do not use the cot if any part is broken, torn or missing and use only spare parts approved by the manufacturer.

**WARNING:** Do not put anything in the cot that may provide a foothold to allow your child to climb out e.g. large toys, or that could cause suffocation or strangulation.

**WARNING:** Strings and ribbons can cause strangulation. Do not place toys attached to cords or ribbons in or around the cot.

**WARNING:** Keep the travel cot away from trailing cords and flexes.

**WARNING:** The cot must be fully open and locked before putting your child inside. Failure to lock the top rails presents a safety hazard.

**WARNING:** Do not use the travel cot without a mattress.

**WARNING:** Do not move the travel cot with the child in it.

**WARNING:** Only use the travel cot with one child at a time.

**WARNING:** Do not leave your child unattended.

**WARNING:** The cot is for static use only and not to be used in any moving vehicle.

**WARNING:** Do not use more than one mattress in the cot.

**WARNING:** Do not use any mattresses which are not approved by the manufacturer.

**WARNING:** When the child is able to climb out of the cot, to prevent injury from falls, do not use the cot for that child any longer.

- This product is made in compliance with EN 716-1:2017+AC:2019 and EN16890:2017

### Care and Maintenance

- Sponge clean only with warm water and a mild detergent.
- Never clean with abrasive, ammonia based, bleach based or spirit type cleaners.
- Allow all parts to dry thoroughly before using or storing.

---

### Your child's safety is your responsibility

If you have a problem with this product or require replacement parts, please visit [www.mybabiie.com/support](http://www.mybabiie.com/support)  
**Register your product at: [www.mybabiie.com/warranties](http://www.mybabiie.com/warranties)**

# MyBabiie®

For little people who dream big

Register your product at:

[www.mybabiie.com/warranties](http://www.mybabiie.com/warranties)

In the first instance of needing assistance please contact your original place of purchase.

This product qualifies for 12 month warranty when registered through our site

## Follow us!



/MyBabiie



@MyBabiieOfficial



@MyBabiie



/MyBabiie

My Babiie. Part of My Companiie Ltd  
Repton Manor, Repton Avenue, Ashford, Kent, TN23 3GP