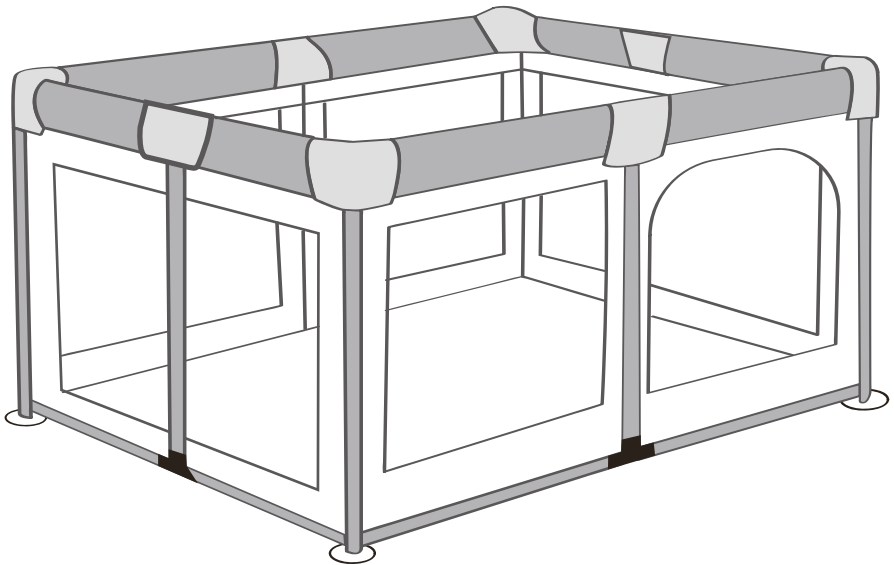


MyBabiie®

For little people who dream big

Baby playpen & activity center
for children indoors and outdoors



IMPORTANT!
KEEP FOR FUTURE REFERENCE AND READ CAREFULLY

WARNING

Read the operating instructions carefully before installing and using the playpen:

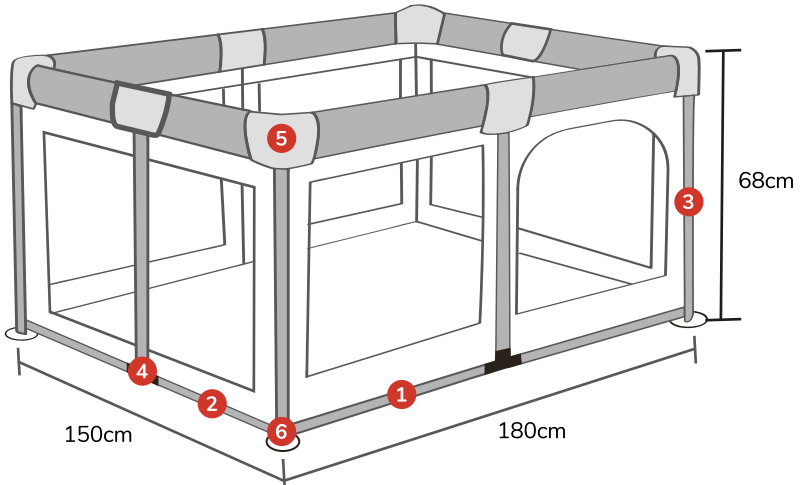
Suitable age: birth to 15 kg (approx 3 yrs)

Size: 1.8 x 1.5 x 0.625 metres (L * W * H)

- The assembly should only be completed by adults.
- Please put it on a flat, neat floor.
- Please use under adult supervision
- Climbing on the playpen is prohibited.
- Keep away from sources of fire.
- Please put it in a place with good lighting.
- Do not put it in water or on permeable ground.
- Do not use it upside down.
- Before use, check that all parts are tightened.
- Please clean the playpen regularly with a mild cleaning agent so that your baby can play in a clean and hygienic environment.
- If after the installation there are additional parts, check the installation steps again.

LIST OF ITEMS:

Components	Number	Length (mm)	Image display
Pipe (900mm)	8	900	
Tube (750mm)	8	750	
Tube (620mm)	8	620	
Teeing point	4		
Suction cup tapping point	4		
T-tee	8		



① Tube (900mm)

② Tube (750mm)

③ Tube (620mm)

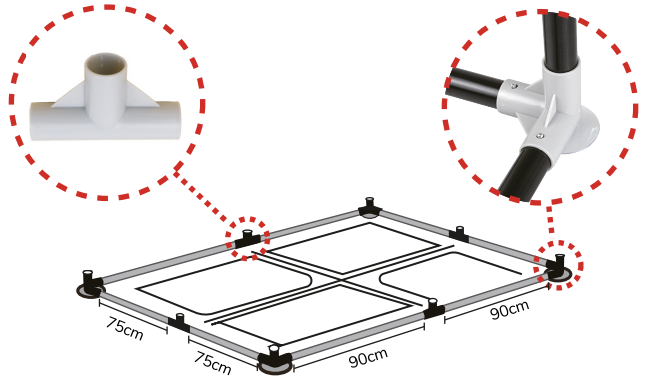
④ T-tapping point

⑤ Tapping point

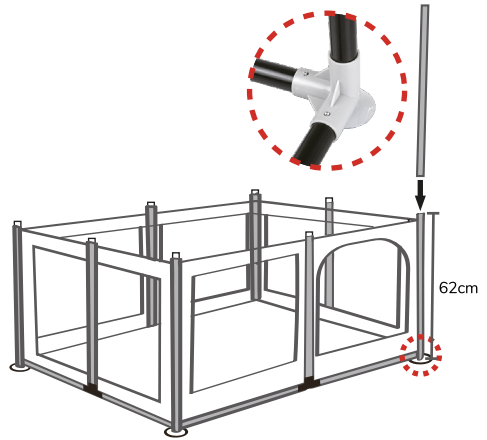
⑥ Suction cup tapping point

SETTING UP YOUR PLAYPEN

Lay the play pen cover flat, insert the metal pipe into the play pen cover, connect the four-sided iron pipe with a T-shaped tee, and then connect the four corners to the suction cup tee.

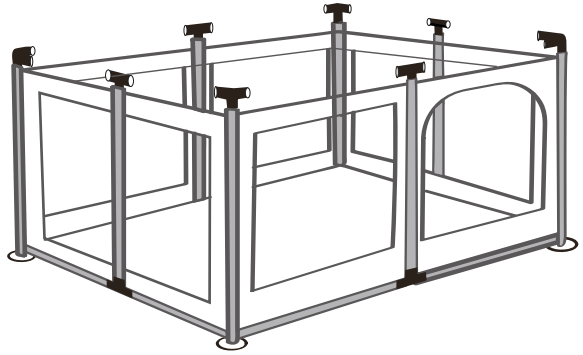


Insert the vertical tubes into the play pen cover and insert the T-shaped tee and the sucker tee to complete the joining of the middle of the play pen wall.

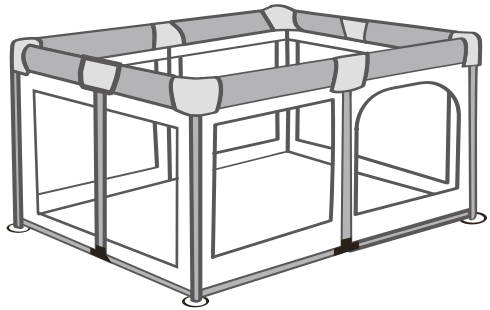


SETTING UP YOUR PLAYPEN

Insert the tees and T-shaped tees into the vertical tubes and then pass the tubes through the cloth sleeve to join the tees and the T-shaped tees to complete the joining of the top of the playpen handrail.



The playpen installation is now complete and ready to use.



CARE & MAINTENANCE

Cleaning the playpen

Do not use any aggressive cleaning products; these may harm the construction material of the playpen. Wipe clean with a damp cloth and hang in shade on a line to dry.

The frame should be wiped dry and cleaned after use.

MyBabiie®

For little people who dream big

REGISTER YOUR PRODUCT AT

www.mybabiie.com/warranties

**In the first instance of needing assistance please
contact your original place of purchase.**

This product qualifies for 12 month warranty
when registered through our website

STAY CONNECTED!



My Babiie



@MyBabiieOfficial



My Babiie



@mybabiie_official

My Babiie Ltd

Repton Manor, Repton Avenue, Ashford, Kent, TN23 3GP