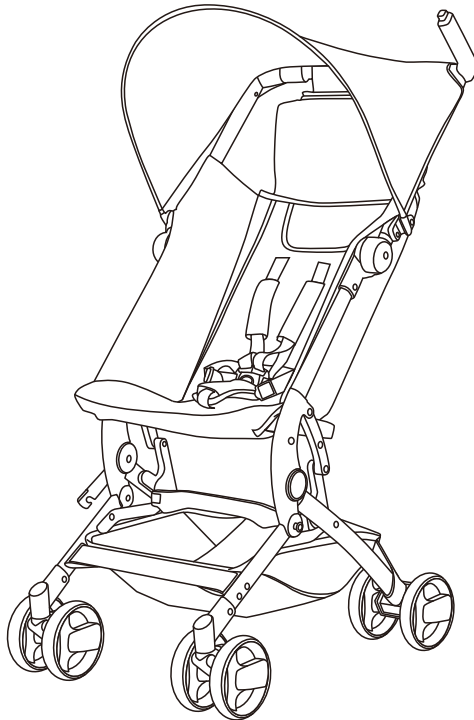


MyBabiie®

For little people who dream big

MBX5 Ultra Compact Stroller Instructions



Please always read all the instructions provided carefully before use, and keep the care and maintenance instruction for further reference.

IMPORTANT! KEEP FOR FUTURE REFERENCE

Get to know your MBX5 Ultra Compact Stroller

Scan the QR code below on your camera app to be linked off to our page to get all the information you need for using your MBX5 Ultra Compact Stroller. From setting it up to how to fold it down, it's all there!



SCAN ME



Safety & care notes

IMPORTANT - READ CAREFULLY AND KEEP THESE INSTRUCTIONS FOR FUTURE REFERENCE

WARNING: Please follow all of these instructions to ensure the safety of your child. Keep these instructions for future reference.

WARNING: Failure to follow these instructions could result in serious injury or death. Avoid serious injury from falling or sliding out. Always use the safety harness and insure that the child is properly positioned according to these instructions.

WARNING: Never leave child unattended.

- Stroller can not be used while running, skating, or similar activities.
- Always use a seat belt when using a stroller.
- This stroller is not suitable for children under 6 months..
- The maximum weight of a child for the use of this stroller is 15kg.
- The maximum weight of using a stroller basket is 2kg.
- Always use the brake when the stroller is stopped when the child is in the stroller.
- Keep the child away from the stroller when you want to open or fold the stroller. This is so that the child can avoid the risk of being pinched or nudged.
- Do not leave the stroller in the sun for long periods of time.
- Do not place any objects on the stroller handle, or canopy to avoid the risk of making the stroller unstable.
- This stroller is EN1888-1: 2022 approved

To prevent injury:

Make sure fingers and other body parts are clear of the stroller when folding and unfolding. Make sure stroller is fully erected and into a fully locked position before placing child in the stroller.

TO AVOID SERIOUS INJURY, PLEASE DO A ROUTINE INSPECTION.

- Never use force on folding or adjustable parts.
- Ensure that all the devices are correctly engaged before use.
- Regularly lubricate all moving parts with silicon spray only.

To clean plastic or cloth surface, use lukewarm water with a mild detergent only.

To clean metal surface, wipe clean with a soft, damp cloth. Do not use abrasives or solvents.

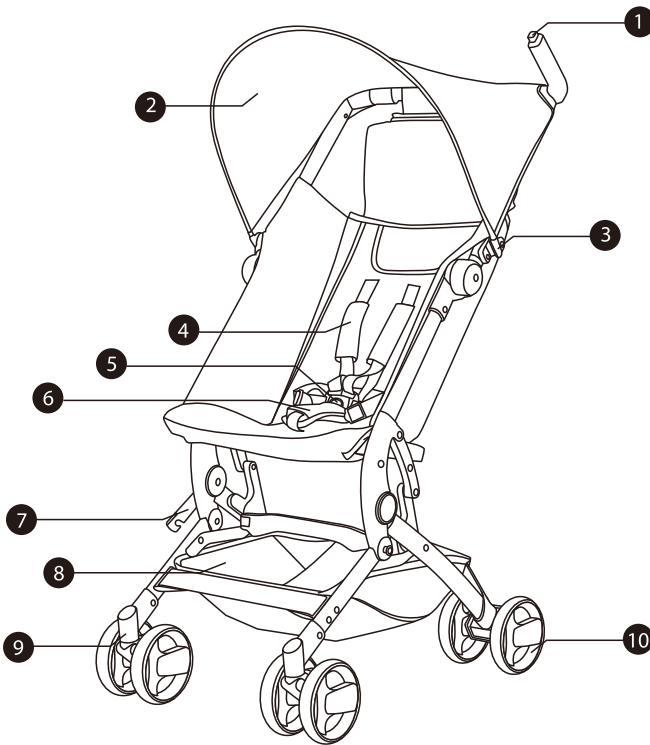
- Do not keep the stroller in the damp, cold or hot place.
- Check the folding lock when not using.
- Please do not leave your stroller outside unprotected.
- Regularly check to ensure no parts are loose or broken.

Your child's safety is your responsibility

If you have a problem with this product or require replacement parts, please visit www.mybabiie.com/support

Register your product at: www.mybabiie.com/warranties

KNOW YOUR STROLLER



1. Folding button

2. Canopy

3. Fixing buckle

4. Shoulder pads

5. Seat buckle

6. Harness pad

7. Folding hook

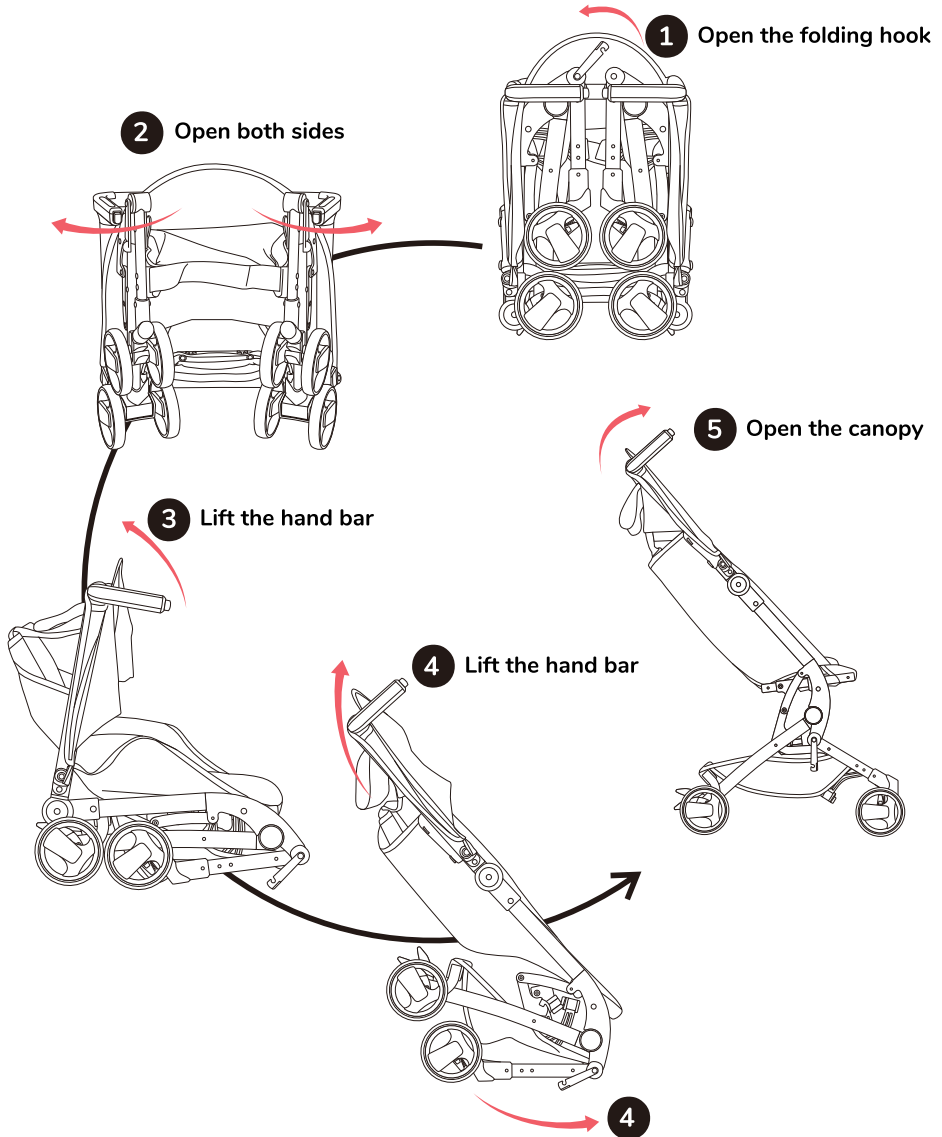
8. Basket

9. Front wheels

10. Rear wheels

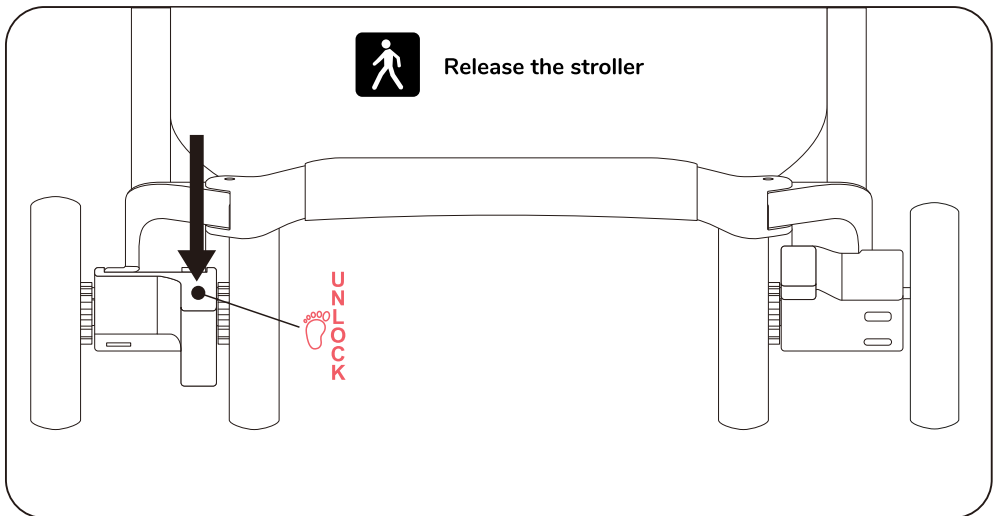
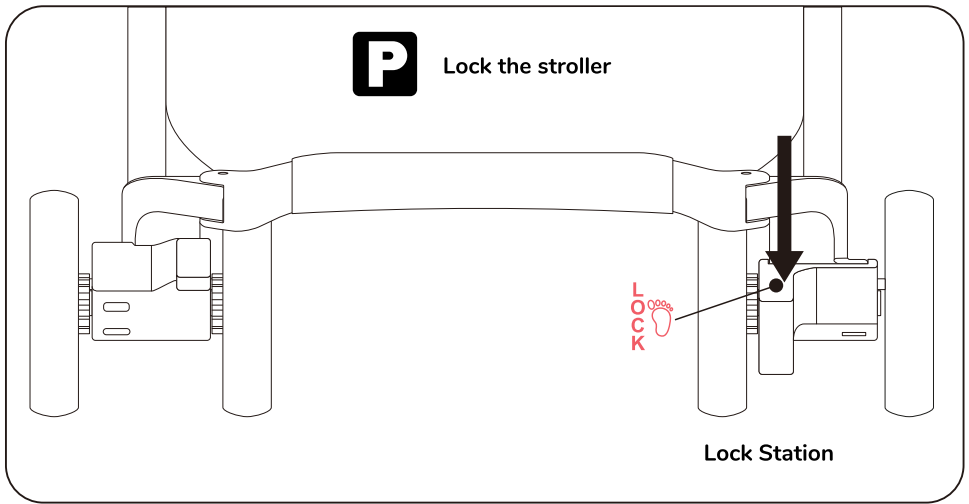
ASSEMBLY INSTRUCTIONS

Opening the stroller



ASSEMBLY INSTRUCTIONS

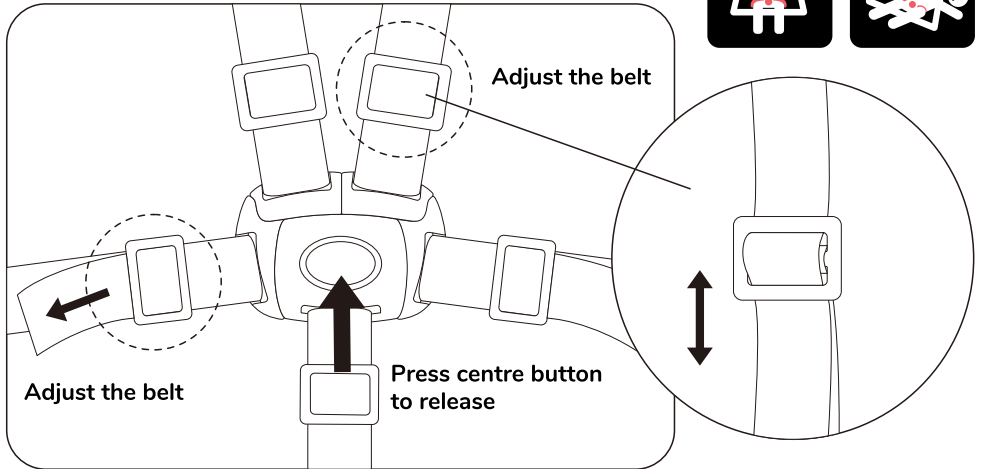
Using the brake



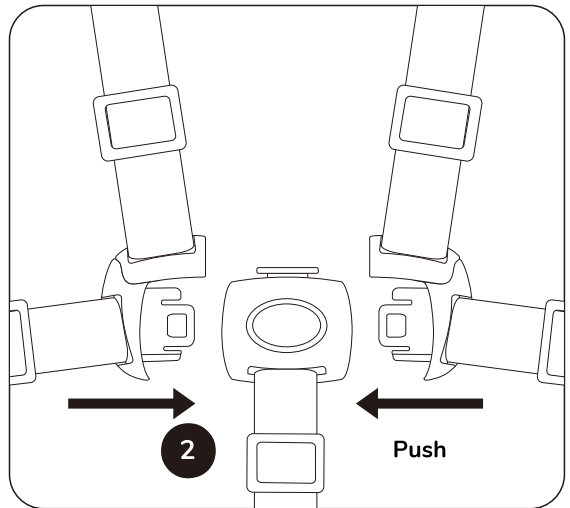
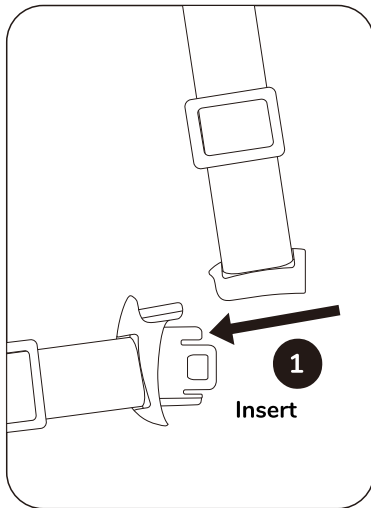
ASSEMBLY INSTRUCTIONS

Using the harness

Release the buckle

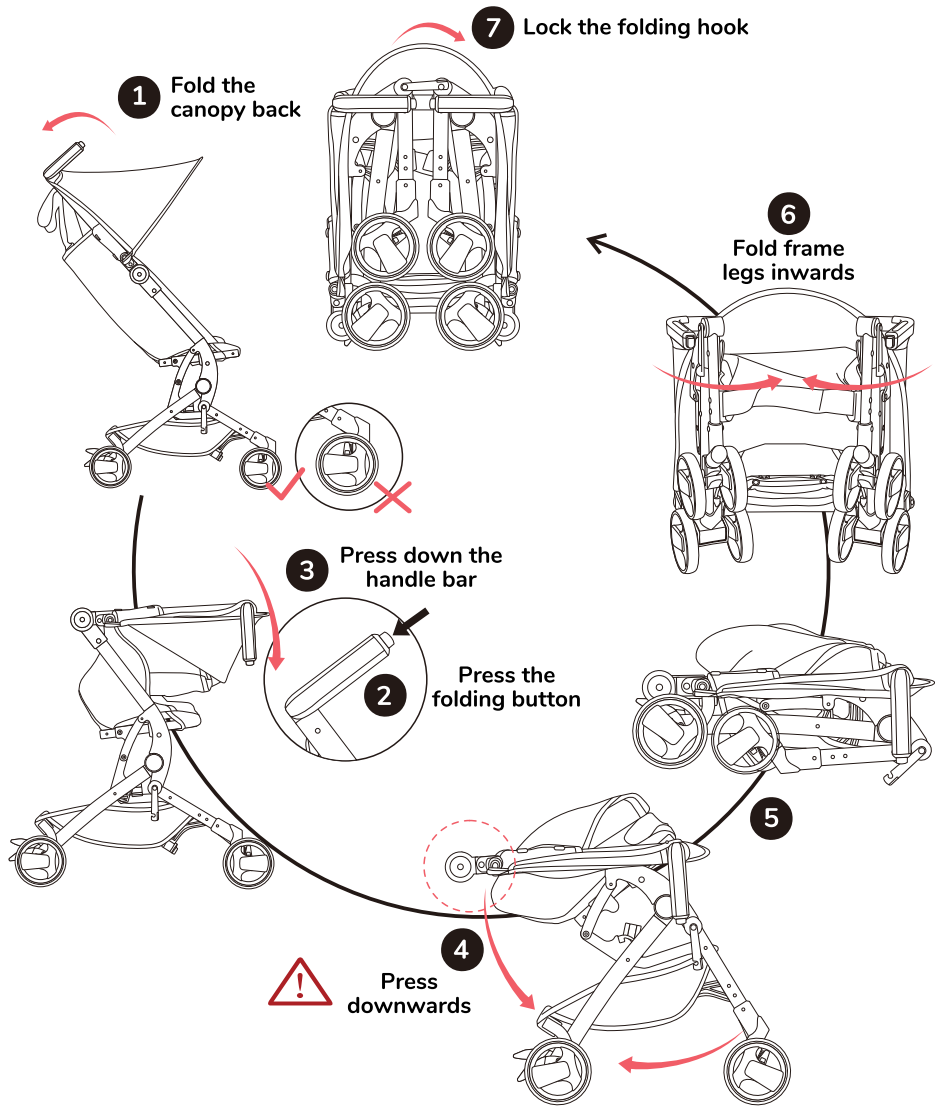


Lock the buckle



ASSEMBLY INSTRUCTIONS

Folding the stroller

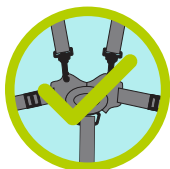


PUSHCHAIR DO'S & DON'TS



Do use your brakes!

Ensure the parking brake is engaged during the loading and unloading of children & when the stroller is stationary.



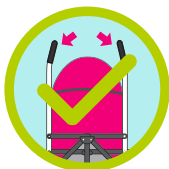
Do always use the restraint system!

Ensure that the child restraint system is correctly fitted at all times.



Do keep your stroller clean and dirt free.

Use a clean white cloth, warm water and a mild detergent to keep your stroller clean.



Do always keep two hands on the handles when pushing.

You could lose control of your stroller if not steering with both hands.



Do follow manufacturers instructions when assembling and using your stroller.

For safety, please refer to our instruction manuals or contact customer support if you're unsure.



Don't use your stroller up and down stairs!

Don't use your stroller up or down stairs or to bump kerbs.



Don't hang bags off the handles!

Bags and other items should not be hung from the handles as this can affect the stability of the stroller.



Don't run or skate with your stroller!

Our products are not suitable for running or skating.



Don't carry the stroller with baby inside!

Our strollers are not designed to be carried with your baby inside them.



Don't put hot drinks in the cup holder.

Hot drinks burn and can easily spill from the bottle holder.



Don't jetwash your stroller.

Some jet washers are very powerful and could damage parts of your stroller!



Don't leave your child un-attended in their stroller.

Always keep your child and stroller in view to avoid accidents.



Don't treat your stroller like a trolley.

Don't load your stroller up with all your shopping as they are not built for this purpose and could cause damage.



Don't use your stroller as a bumper cart!

Damage can easily occur if your stroller is knocked into other things.



Don't smoke around your stroller

We wouldn't want your stroller or little one getting hurt or damaged!



Don't leave your stroller unattended on extreme gradients.

Even with your brakes on your stroller is at risk from tipping or sliding on extreme gradients!



Don't sit in the strollers unless the user is under the guideline weight.

Our strollers are designed to hold a maximum weight. If exceeded this will cause damage!



Do enjoy your product!

Go out and have fun adventures with your little one!

MyBabiie®

For little people who dream big

REGISTER YOUR PRODUCT AT

www.mybabiie.com/warranties

**In the first instance of needing assistance please
contact your original place of purchase.**

This product qualifies for 12 month warranty
when registered through our website

STAY CONNECTED!



My Babiie



@MyBabiieOfficial



My Babiie



@MyBabiie



@mybabiie_official

My Babiie Ltd

Paddock Wood, Kent, TN12 6EN

My Babiie EU

Generaal Vetterstraat 76A, 1059 BW Amsterdam, The Netherlands