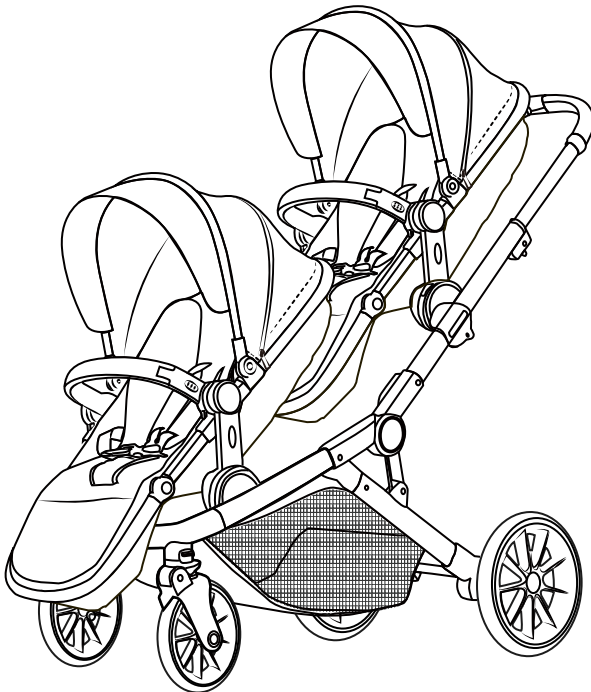


# MyBabiie®

For little people who dream big

## MB33 Tandem Stroller Instructions



**Please always read all the instructions provided carefully before use, and keep the care and maintenance instruction for further reference.**

**IMPORTANT! KEEP FOR FUTURE REFERENCE**

# Get to know your MB33 Tandem Pushchair

---

Scan the QR code below on your camera app to be linked off to our page to get all the information you need for using your MB33 Tandem Pushchair. From setting it up to how to fold it down, it's all there!



**SCAN ME**



# Safety & care notes

---

## IMPORTANT -READ CAREFULLY AND KEEP THESE INSTRUCTIONS FOR FUTURE REFERENCE

The stroller meets the EN 1888 -1:2018 + A1: 2022 safety standard

**WARNING:** This seat uni is not suitable for children under 6 months

**WARNING:** Never leave the child unattended.

**WARNING:** Ensure that all locking devices are engaged before use.

**WARNING:** To avoid injury, ensure that the child is kept away from when unfolding and folding this product.

**WARNING:** Do not let the child play with this product.

**WARNING:** Always use the restraint system.

**WARNING:** Every time, check that the seat unit /pram body attachment devices are correctly engaged before use.

**WARNING:** This product is not suitable for running or skating.

**IMPORTANT:** When used with a single seat, it must be fixed in the lower position (as shown in the configurations on page 11).

**IMPORTANT** Your child's safety is your responsibility.

When using your stroller, under any circumstances, ensure your child is attached with the 5-point safety harness correctly adjusted to fit. Always use the crotch strap with the safety harness, even when using a footmuff on the stroller.

- Any load attached to the handle or backrest or side of vehicle affects the stability of the pushchair.
- Always use the rear foot brake to immobilise your stroller.
- Ensure that the rear foot brake is applied when you place the child in or take them out of the stroller.
- Always use the crotch strap in combination with the waist belt.

## GENERAL INSTRUCTIONS

This stroller is intended to transport:

1. Two children from birth up to a maximum weight of 15kgs each, as well as an additional weight of 3 kgs in the basket below the stroller.
2. A child from birth up to a maximum weight of 15 kgs, as well as an additional weight of 3 kgs in the basket below the stroller.

We recommend that you use the lying down position when your child is less than 6 months old. When use the sleeping cot, the product is suitable for a child who can not sit up by itself, roll over and cannot push itself up on its hands and knees. The maximum weight of the child is 9kg. The harness must be completely removed when used in carrycot mode. There is a risk of strangulation if the harnesses are not removed.

# Safety & care notes

---

## carrycot

Correct product assembly is essential. Please note that incorrect use could damage the stroller and be dangerous for your child.

- Never transport more than one child per seat in the stroller.
- Do not use replacement parts or accessories other than those recommended by My Babiie. Only replacement parts provided by or recommended by My Babiie should be used.
- To avoid the risk of suffocation, keep all plastic bags away from and out of the reach of children.
- Always attach your child with the 5 point safety harness correctly adjusted to fit him whenever you use the stroller in seat mode only!
- The child should always be kept clear of detachable parts when adjustments are made and when opening and closing the stroller.
- When the stroller is folded and upright, keep the child clear to avoid his being injured should the stroller fall.
- Should the stroller be used by someone unfamiliar with it, always show them the correct way to use it.
- To avoid the risk of strangulation, NEVER attach strings, ribbons or cords onto the stroller or onto your child, or use the harness when in carrycot mode
- The stroller should always open and close without difficulty. If it doesn't, do not force the mechanisms and refer to the Instruction manual.
- Ensure that all safety mechanisms are engaged before use and that they are used correctly.
- Never lift up the stroller by the seat but by the chassis only.
- Never lift the seat/carrycot by the bumper bar!
- Overloading, incorrect folding and the use of accessories non-approved by the manufacturer may seriously damage or break the stroller (in particular the use of buggy boards).
- Never place any item on the stroller hood.
- Never place a load on the foot-rest.
- Never allow children to stand on the foot-rest.
- Do not use the raincover indoors, during warm weather, when it is sunny or near a source of heat. Your child may become too hot.
- ALWAYS TAKE YOUR CHILD OUT of the stroller when going up or down stairs, or when using an escalator.
- Step over obstacles (pavements etc...) with care. Bumping it up and down repeatedly may damage your stroller.

**WARNING:** Discontinue use of the carrycot mode as soon as the child is able to sit by him/herself, roll over and can push itself up on its hands and knees. Maximum weight of the child is 9kg or 6 months (whichever comes sooner) for using in carrycot mode.

# Safety & care notes

---

## MAINTENANCE

This stroller should be regularly checked by the person using it.

- Clean the plastic and metal parts of your stroller with a damp cloth and dry them immediately
- Use only mild cleaning products.
- The textile parts should be wiped clean with a damp cloth (do not machine wash). Use only a mild detergent. DO NOT USE BLEACH. Dry in the shade.
- Regularly check screws, rivets and bolts. Replace any parts which may have become worn.
- Prolonged exposure to direct sunlight may prematurely discolour the stroller fabric.

PLEASE NOTE! It is not recommended to use your stroller in sea water or over sand.

PLEASE NOTE! Always rinse parts in contact with salt and sand, in particular the wheels, the springs and the rivets (including after rolling on snowy/salted pavements).

**WARNING:** Only use in the configurations shown on page 11.

**WARNING:** Only use parts recommended by the manufacturer.

**WARNING:** Never use the stroller if it is damaged or broken.

**WARNING:** No additional mattress shall be added unless recommended by the manufacturer.

**WARNING:** Do not use the carrycot mode for overnight sleeping.

---

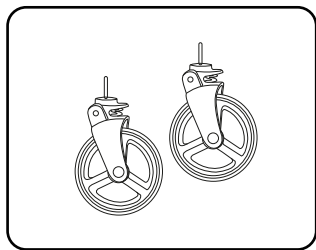
### **Your child's safety is your responsibility**

If you have a problem with this product or require replacement parts, please visit [www.mybabiie.com/support](http://www.mybabiie.com/support)

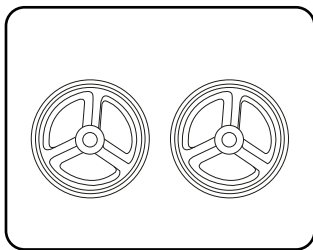
**Register your product at: [www.mybabiie.com/warranties](http://www.mybabiie.com/warranties)**

# COMPONENTS

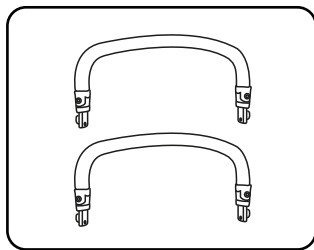
---



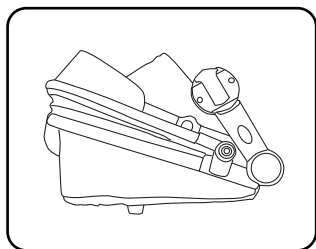
Front wheels x2



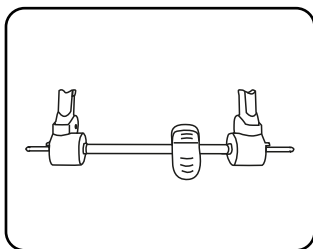
Rear wheels x 2



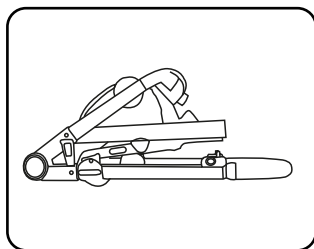
Front bumper x2



Seat x2



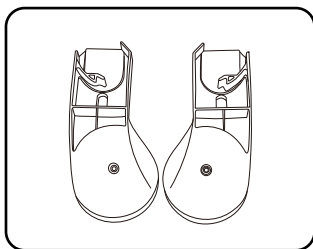
Rear wheel axle



Frame



Rain cover x 2

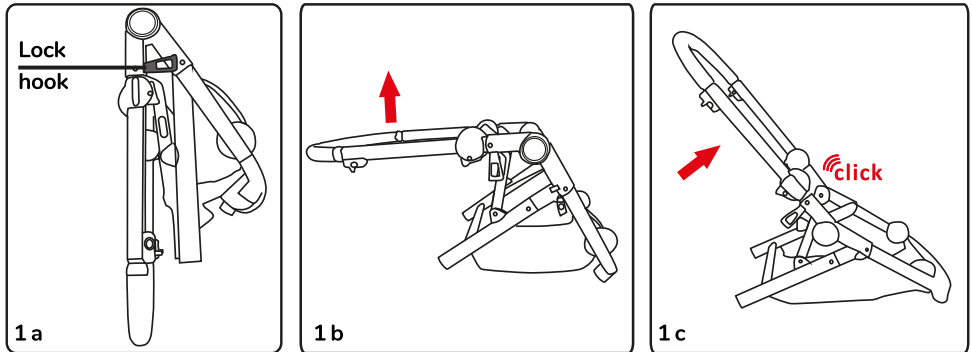


Car Seat Adapters

# ASSEMBLY INSTRUCTIONS

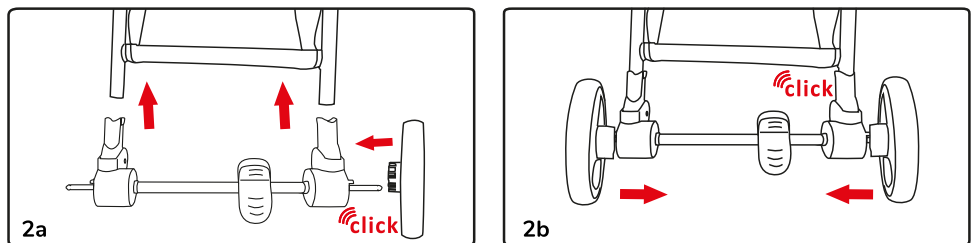
## Open frame

Release locking hook, pic(1a). Lift up the handle, pic(1b) and open the frame, pic(1c). You will hear a “click” sound once in the locked open position.



## 2. Assemble the rear wheels sets

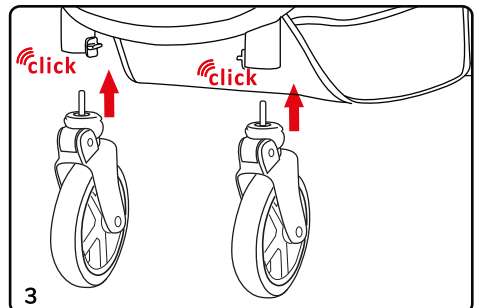
Pic (2a) Push the wheels into the wheel housing until they lock into place. You should hear a click sound. Then push the rear axle onto the pushchair frame until you hear a click sound each side.



## 3. Front wheels

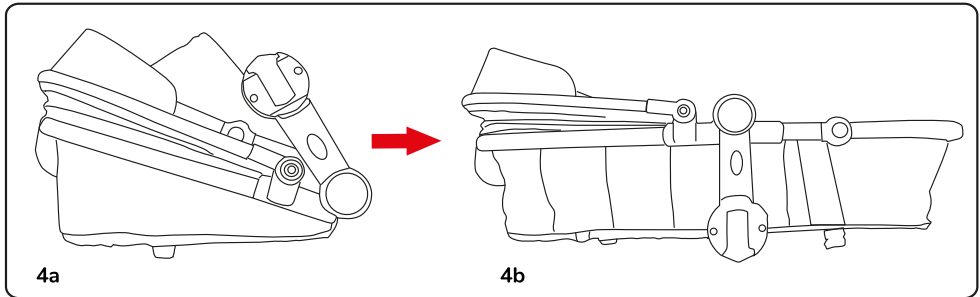
Push the wheels into the wheel housing until they lock into place. You should hear a click sound.

Pull the wheels to ensure that they are securely attached to the chassis.

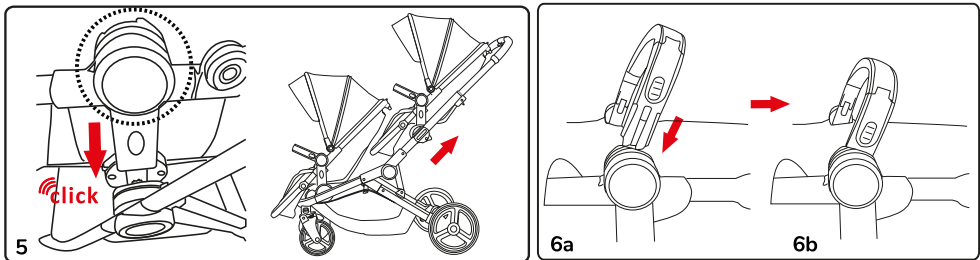


# ASSEMBLY INSTRUCTIONS

4. Take out the seat and open the seat out flat as pic 4a. Then fold toward the center and make sure it is fully locked out as pic 4b.



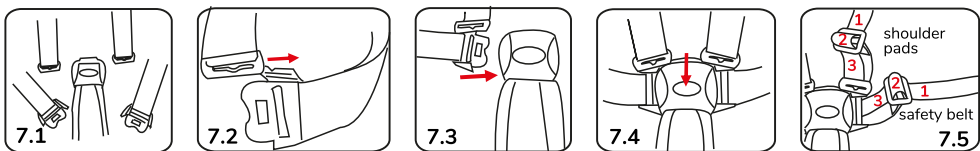
5. Align the seat unit with the anchors on the sides of the chasis and push them together until they unstick securely. You should hear a click sound as in pic 5a. In order to make sure the seat is assembled correctly to the chassis lift it up to check it is locked in securely.



6. Insert the front bumper into the seat, lift up the front bumper with a little force to make sure it is assembled securely, pic(6a)

To remove the bumper bar use two hands to press down the release buttons on both sides. Do not use the front bumper as a handle to carry the seat unit.

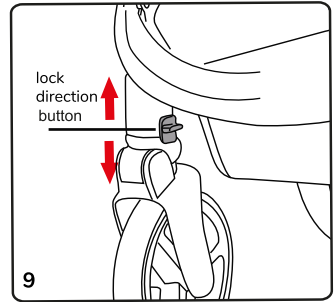
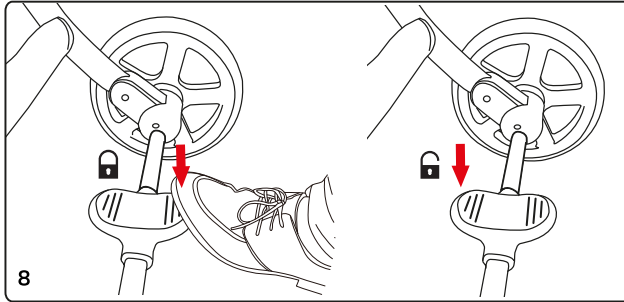
## Harness adjustment



7. Slide the top harness buckle into the side waist buckle (pic 7.2) Repeat for other side. Insert the completed waist buckle into the buckle housing, pic 7.4. Ensure the buckles engage the housing securely in place. To release the buckles, press the centre button on the buckle housing.



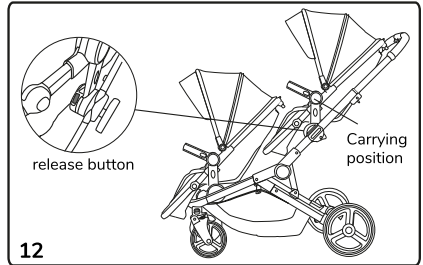
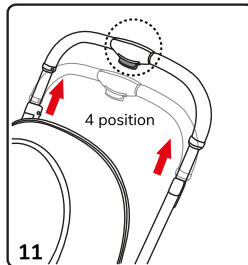
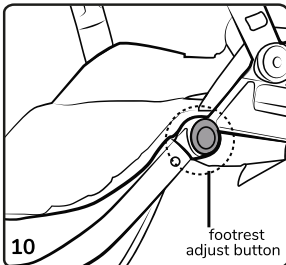
# ASSEMBLY INSTRUCTIONS



## 8. Brake operation

To engage the brake, push the brake lever down with your foot. Check that the stroller will not move once the brakes are properly applied. Release the brake by pushing the brake lever up.

9. The front wheels direction can be locked or set to swivel. Pull up the lock direction button to enable swivel wheels or press down to lock the wheels in one direction. Ensure to do the same on both front wheels.

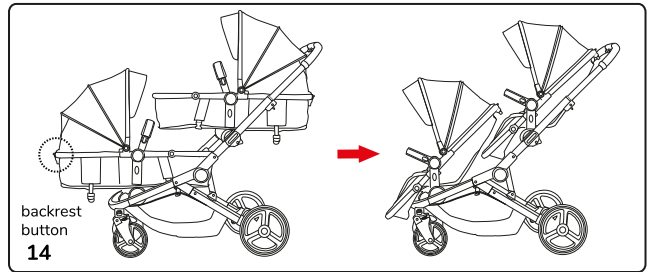
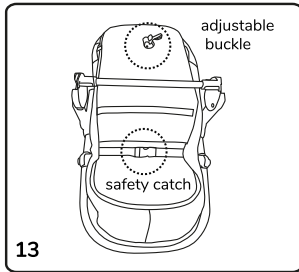


10. Press the adjustment button on both sides of the footrest at the same time to adjust up or down. Pic (10)

11. To adjust the height of the push handle, press down the button on the centre of the handle. Release the handle button once you have adjusted it to the suitable height. Pic (11)

12. To remove the seat, press the release buttons on both sides of the seat, take off both sides and lift up. Pic (12)

# ASSEMBLY INSTRUCTIONS



13. This is a 2 in 1 seat; seat and bassinet. To change it from a seat to the bassinet, simply undo the safety catch found under the seat and fully loosen the Adjustment Buckle. Pic (13).

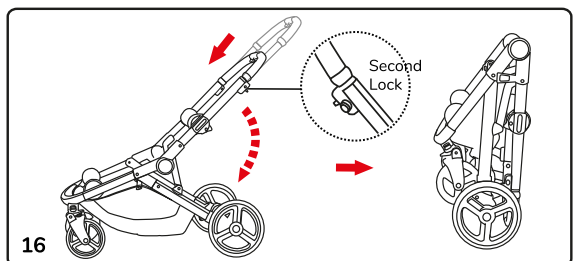
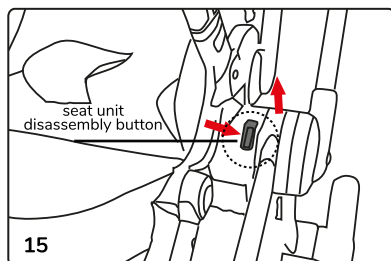
Then recline the bassinet to the horizontal laying down position using the backrest button at the base of the hood. Pic 14. You must then remove the harnesses from the seat when using as a bassinet (to avoid risk of strangulation).

- Locate the attachment points of the harness straps to the stroller seat. These can be found on the back of the seat.
- Push the harness clips through the holes in the seat back so that they come through the front of the seat fabric.
- Once all the straps are released, carefully remove the harness from the stroller seat

14. The bassinet is for new born babies, from birth up to 6 months or 9kg (whichever comes sooner). Pic (14).

To turn the bassinet into the seat unit simply click together the safety catch under the seat and tighten the adjustment buckle. Pic 13.

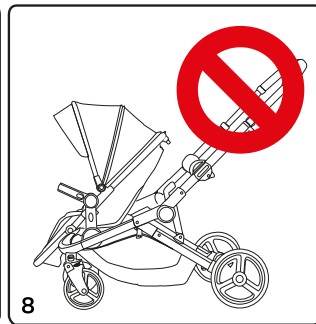
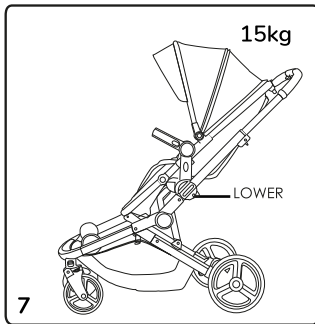
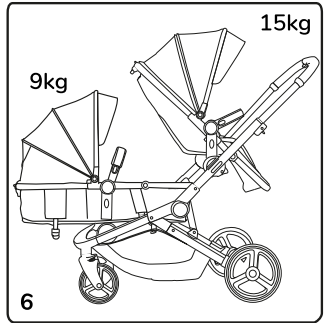
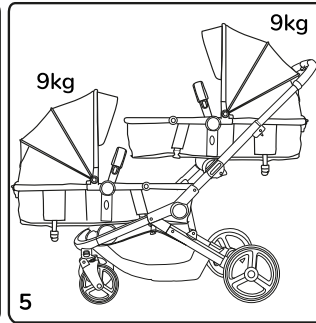
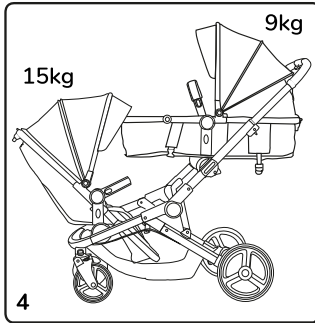
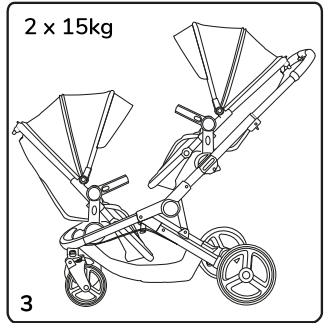
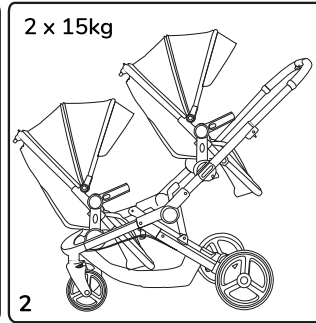
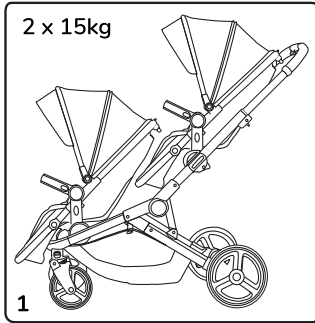
## Disassembling the pushchair



15. To disassemble the pushchair, remove the seats by pressing the seat unit disassembly buttons on either side, then lift off the seats. Pic (15)

16. After removing the seat, adjust the handle bar to the lowest level position, press the right side of the second lock button then use two hands to pull the folding button upwards, after that press down the handle bar until locked shut. Pic (16)

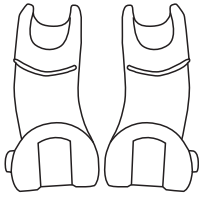
# PUSHCHAIR CONFIGURATIONS



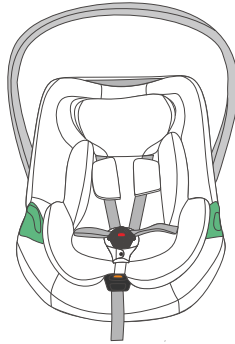
**WARNING:** Never use in the state as shown in Pic 8. When using a single seat, it must be attached to the top seating position but lowered down the frame to the lowest point, as shown in Pic 7. When you use double seats on frame, please make sure the top seat is adjusted to the highest position on the frame.

# ASSEMBLY INSTRUCTIONS CAR SEAT

---

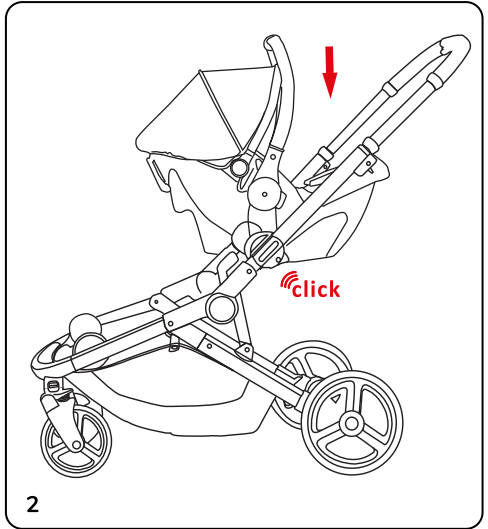
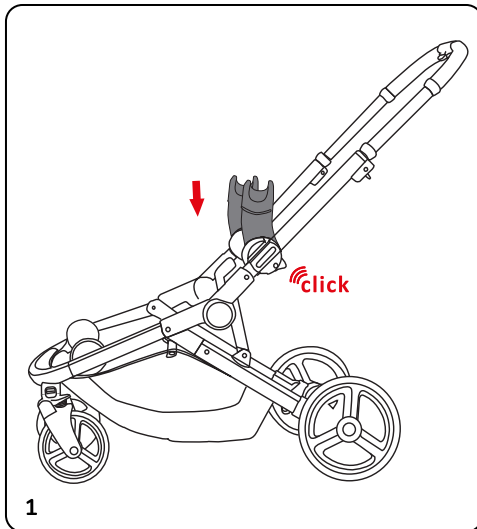


Adaptors x2



My Babiie iSize Infant carrier

1. Insert the adaptors into the stroller until you hear a click sound. After finished, please pull them up a little to make sure they are clicked into position properly, pic (1).

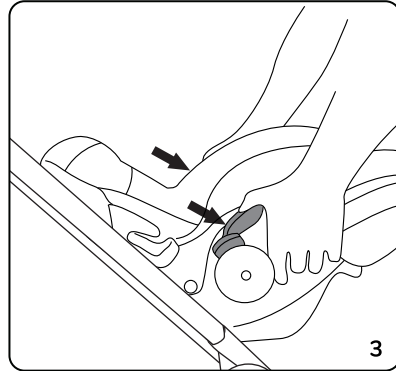
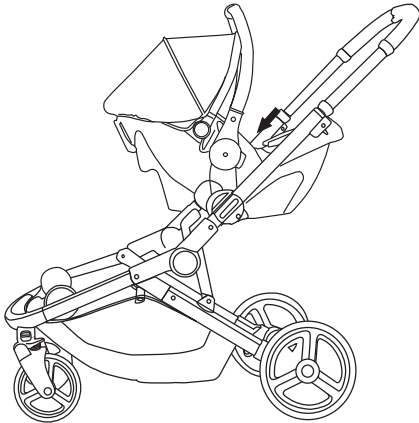


2. Align the infant carrier over the frame and adaptors then lower the car seat onto the adaptors until you hear a click sound. After finished, please pull up the car seat a little to make sure it is clicked into position properly, pic (2).

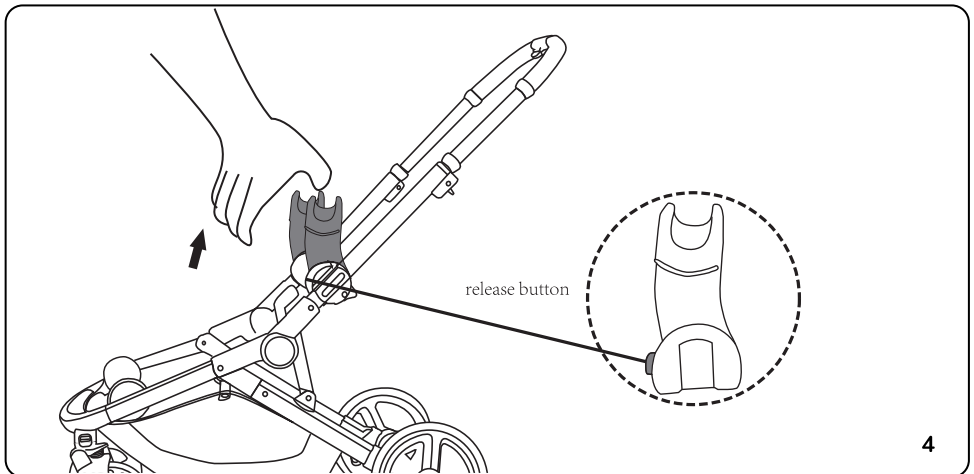
# ASSEMBLY INSTRUCTIONS CAR SEAT

## Removing the car seat

1. Press the 2 buttons on the two sides of the car seat to release it from the adaptors. Lift off the car seat from the frame and adaptors. pic (3)



2. If you want to detached the adaptors, press in the buttons on the adaptor then lift up the adaptor to remove them form the frame. pic (4)



## WARNING

Please assure all the locking devices are in lock positions before use.

**WARNING** Check that the car seat attachment devices are correctly engaged before use.

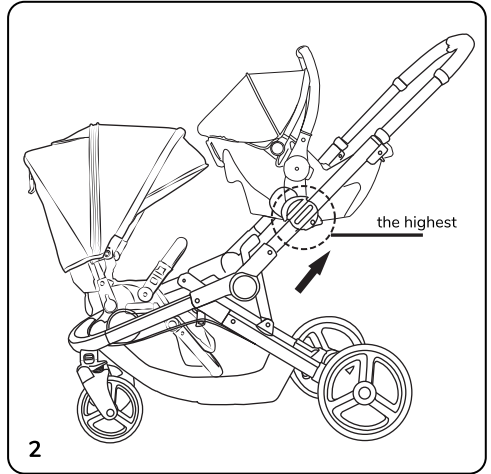
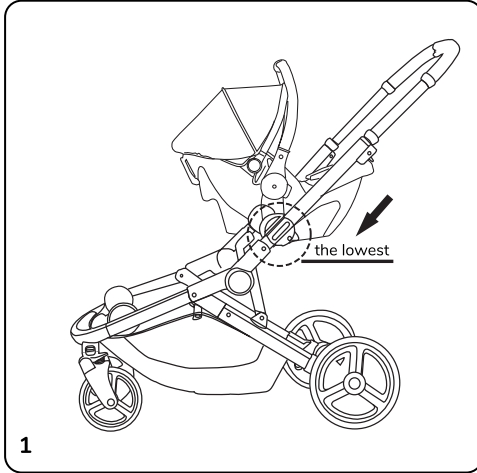
This vehicle does not replace a cot or a bed, should your child need sleep, then it should be placed in a suitable pram body, cot or bed.

# ASSEMBLY INSTRUCTIONS CAR SEAT

---

## WARNING

When using a single Car seat, please adjust the level on the frame to the lowest position, when using the stroller's seat unit with car seat at the same time, the car seat needs to be adjusted to the highest level. Only use the car seat in these positions to avoid injury.

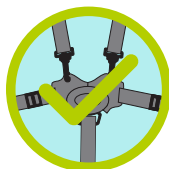


# Pushchair do's & don'ts



## Do use your brakes!

Ensure the parking brake is engaged during the loading and unloading of children & when the stroller is stationary.



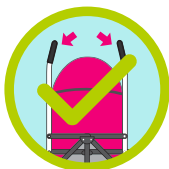
## Do always use the restraint system!

Ensure that the child restraint system is correctly fitted at all times.



## Do keep your stroller clean and dirt free.

Use a clean white cloth, warm water and a mild detergent to keep your stroller clean.



## Do always keep two hands on the handles when pushing.

You could lose control of your stroller if not steering with both hands.



## Do follow manufacturers instructions when assembling and using your stroller.

For safety, please refer to our instruction manuals or contact customer support if you're unsure.



## Don't use your stroller up and down stairs!

Don't use your stroller up or down stairs or to bump kerbs.



## Don't hang bags off the handles!

Bags and other items should not be hung from the handles as this can affect the stability of the stroller.



## Don't run or skate with your stroller!

Our products are not suitable for running or skating.



## Don't carry the stroller with baby inside!

Our strollers are not designed to be carried with your baby inside them.



## Don't put hot drinks in the cup holder.

Hot drinks burn and can easily spill from the bottle holder.



## Don't jetwash your stroller.

Some jet washers are very powerful and could damage parts of your stroller!



## Don't leave your child un-attended in their stroller.

Always keep your child and stroller in view to avoid accidents.



## Don't treat your stroller like a trolley.

Don't load your stroller up with all your shopping as they are not built for this purpose and could cause damage.



## Don't use your stroller as a bumper cart!

Damage can easily occur if your stroller is knocked into other things.



## Don't smoke around your stroller

We wouldn't want your stroller or little one getting hurt or damaged!



## Don't leave your stroller unattended on extreme gradients.

Even with your brakes on your stroller is at risk from tipping or sliding on extreme gradients!



## Don't sit in the strollers unless the user is under the guideline weight.

Our strollers are designed to hold a maximum weight. If exceeded this will cause damage!



## Do enjoy your product!

Go out and have fun adventures with your little one!

# MyBabiie®

For little people who dream big

## REGISTER YOUR PRODUCT AT

[www.mybabiie.com/warranties](http://www.mybabiie.com/warranties)

**In the first instance of needing assistance please  
contact your original place of purchase.**

This product qualifies for 12 month warranty  
when registered through our website

## STAY CONNECTED!



My Babiie



@MyBabiieOfficial



My Babiie



@MyBabiie



@mybabiie\_official

My Babiie Ltd  
Paddock Wood, Kent, TN12 6EN