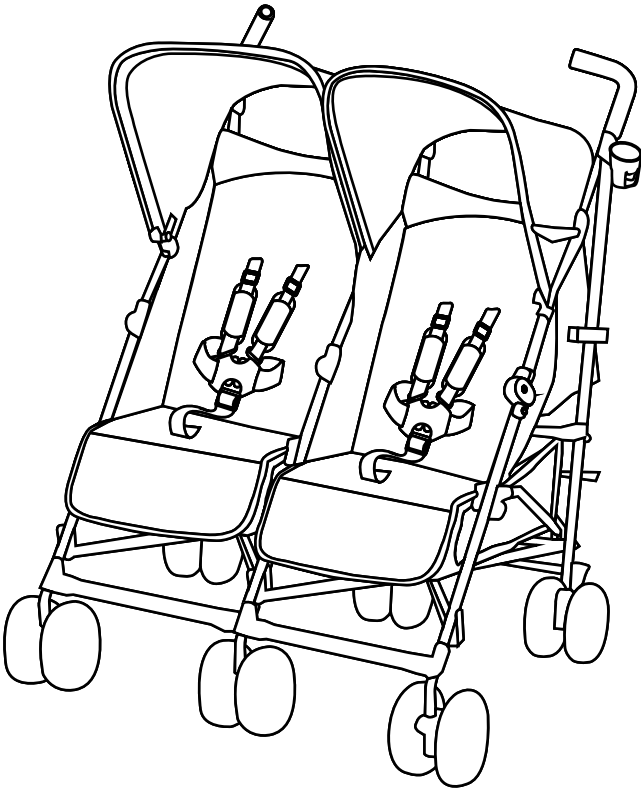


# MyBabiie<sup>®</sup>

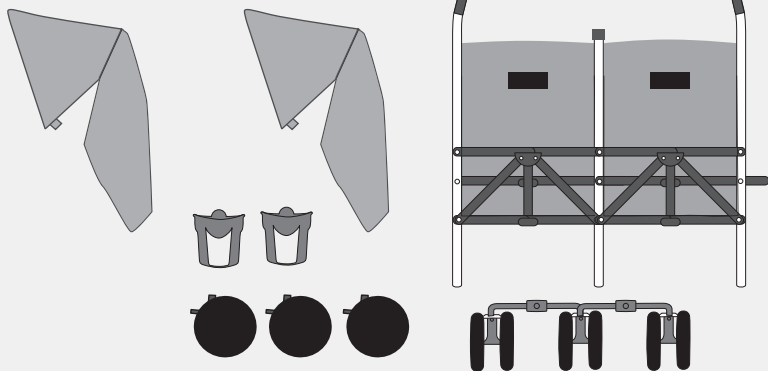
For little people who dream big

## MB11 Twin Stroller Instructions

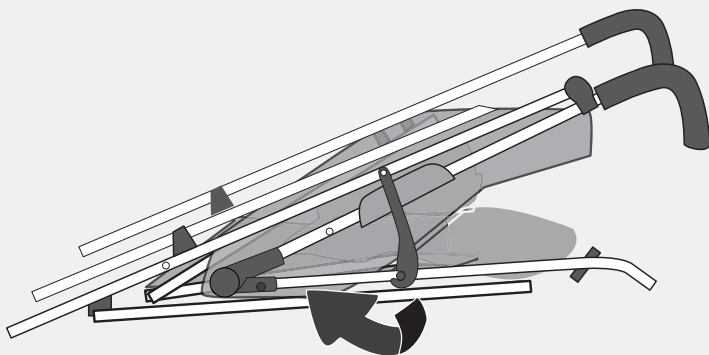


**IMPORTANT! KEEP FOR FUTURE REFERENCE**

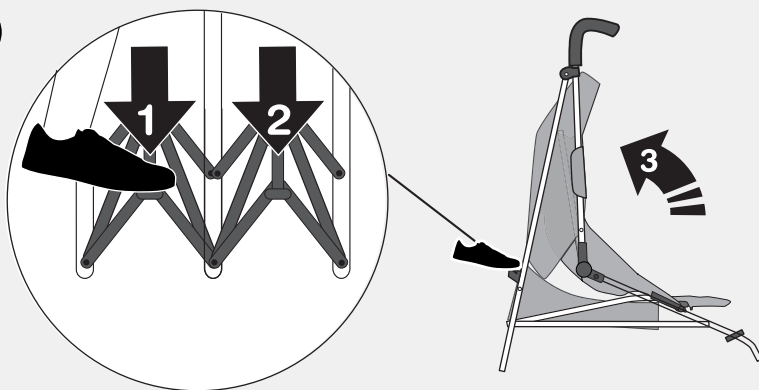
1

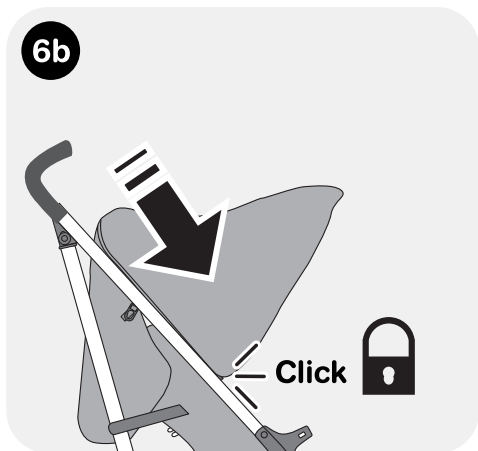
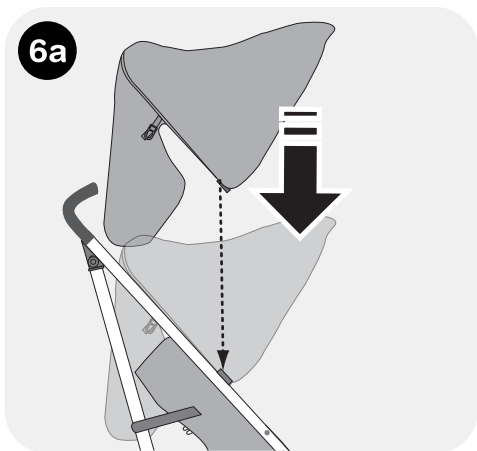
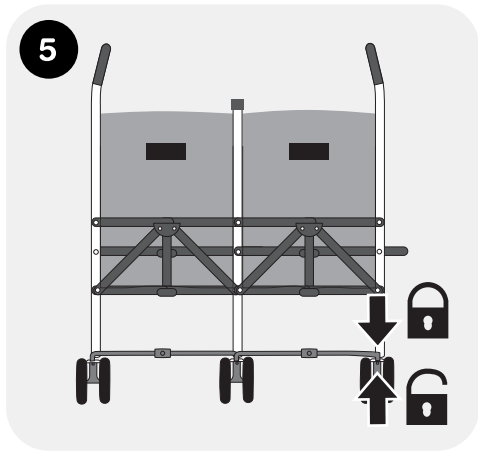
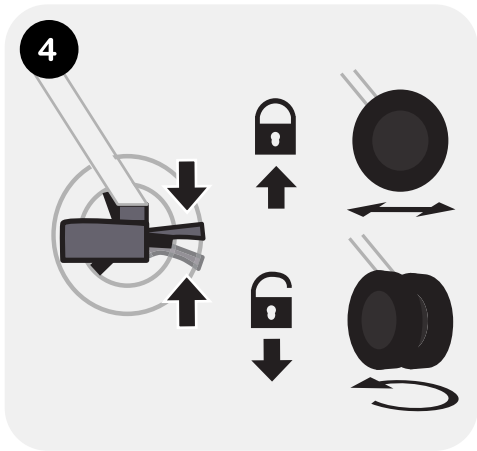
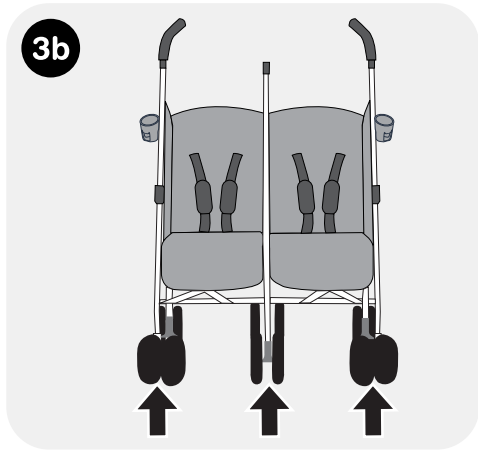
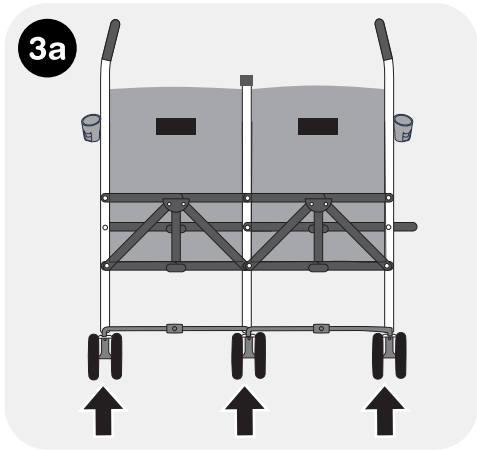


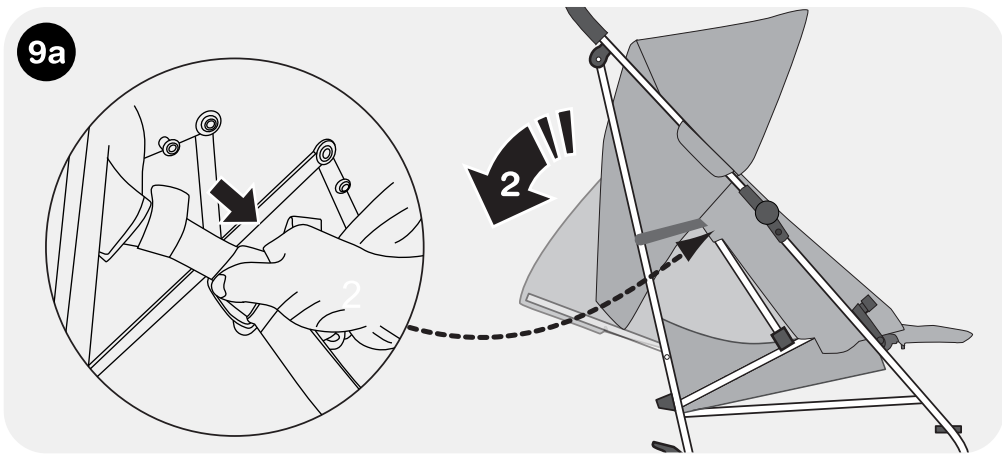
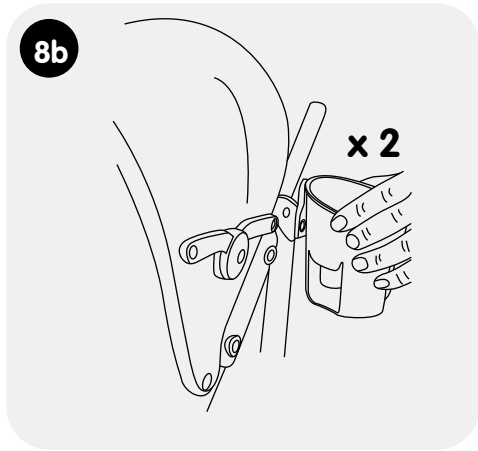
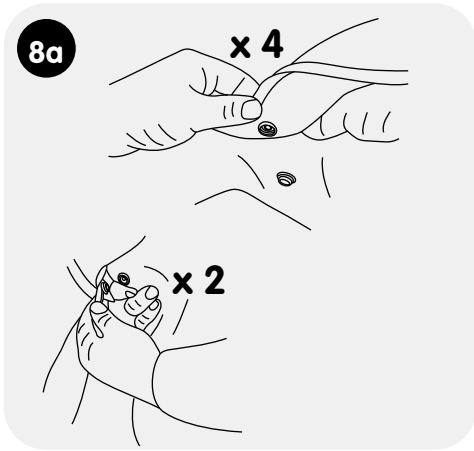
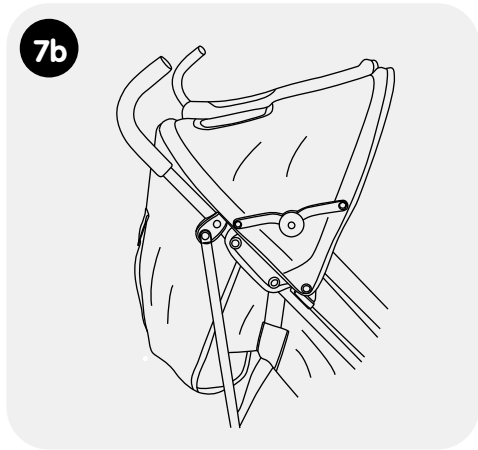
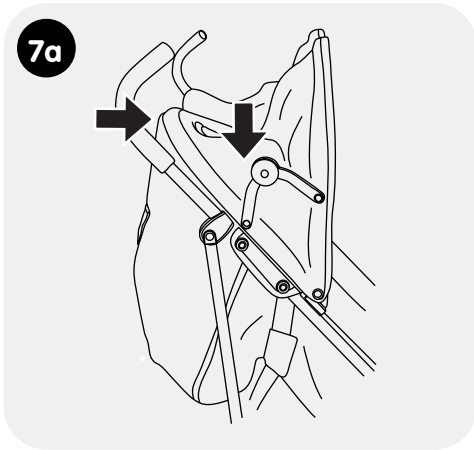
2a



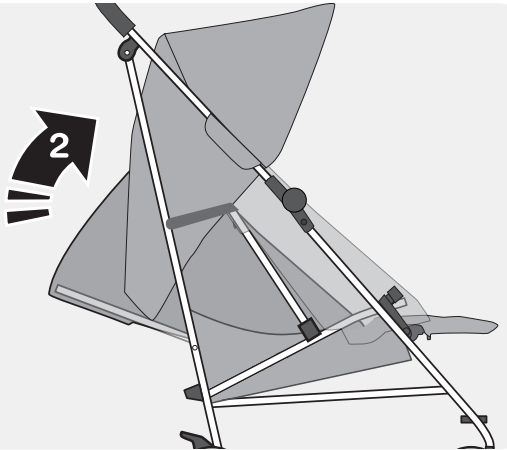
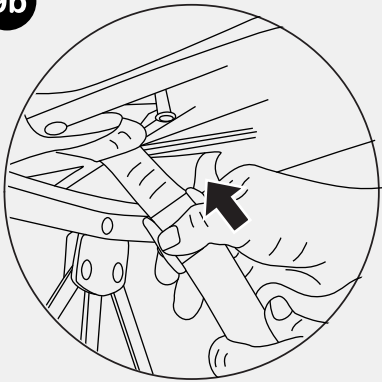
2b



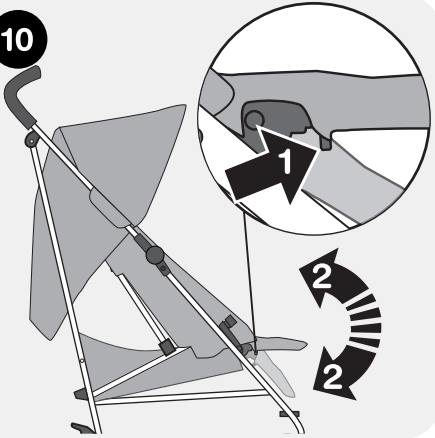




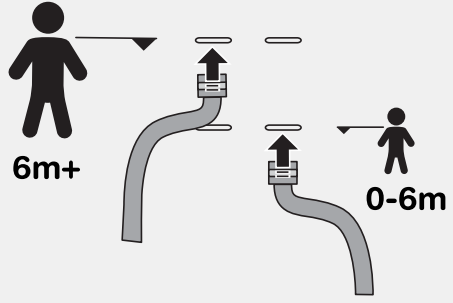
9b



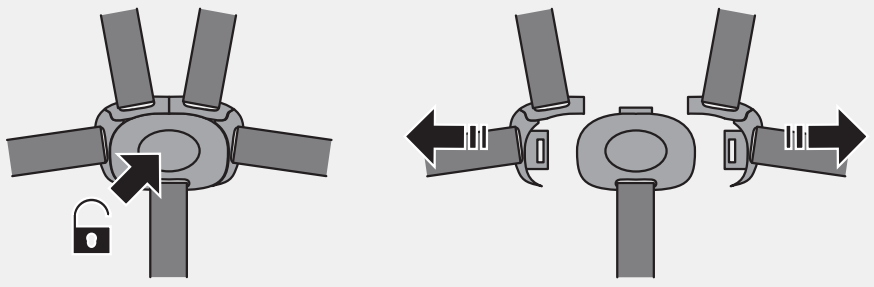
10

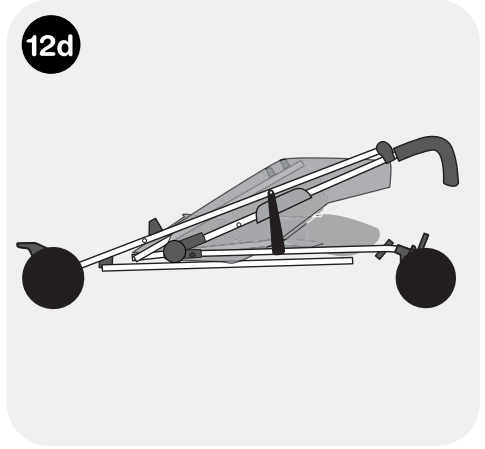
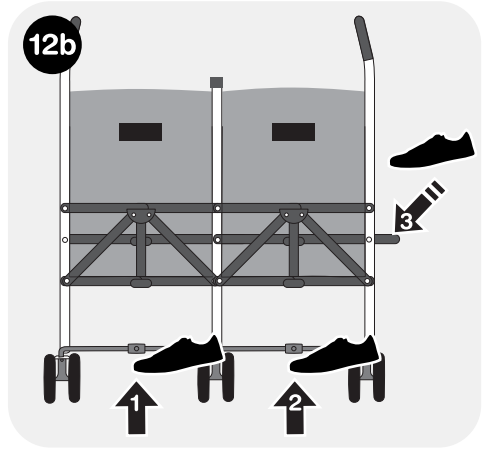
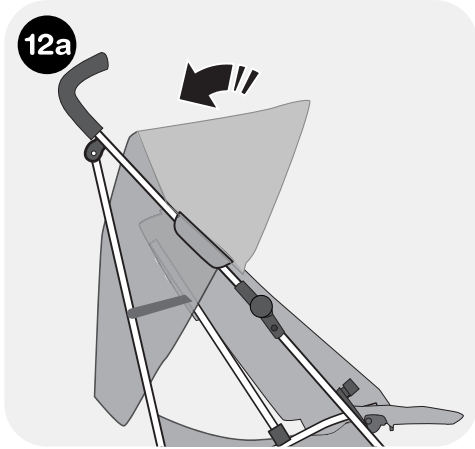


11a



11b





## Safety & Care notes

# IMPORTANT-READ CAREFULLY AND KEEP FOR FUTURE REFERENCE

---

Please read these instructions carefully before use and keep them for later reference.

Remove all packaging and non-permanent labels and dispose of safely before using this product. The safety of your child could be put at risk if you do not follow these instructions.

This stroller is designed for 2 children from 0 months up to a weight of 15 kg (each).

**WARNING:** Never leave the child unattended.

**WARNING:** Uneven or excessive loading of items on or in the stroller may cause the product to tip and may cause injury.

**WARNING:** Maximum intended weight within the shopping basket is 3kg.

**WARNING:** Ensure that all the locking devices are engaged before use.

**WARNING:** To avoid injury ensure that your child is kept away when unfolding and folding this stroller.

**WARNING:** Do not let the child play with this product.

**WARNING:** Always use the restraint system.

**WARNING:** Check that the stroller body is correctly engaged before use.

**WARNING:** Do not put hot drinks or liquids in the cup holder.

**WARNING:** This product is not suitable for running or skating.

**WARNING:** Do not insert any additional mattresses into the stroller.

**WARNING:** Accessories which are not approved by the manufacturer shall not be used.

**WARNING:** This pushchair has been designed for one child and shall be used for the transport for only one child!

**WARNING:** Always use the crotch strap in combination with the waist belt.

**WARNING:** This stroller does not replace a cot or a bed. Should your child need to sleep, then it should be placed in a suitable cot or bed.

**WARNING:** Only replacement parts supplied or recommended by My Babiie shall be used.

**WARNING:** Any load attached to the handle and on the back of the backrest and on the sides of the stroller will affect the stability of the stroller.

**WARNING:** The parking device shall be engaged when placing and removing the children.

**WARNING:** Check that the pram body or seat unit or car seat attachment devices are correctly engaged before use.

**WARNING:** :For new born baby, the seat should be in full reclining position as the baby does not have ability to control its head.

- EN1888-1:2018 approved

### Care and Maintenance

- Please check on a regular basis that the brakes, wheels, latches, connecting elements, belt systems and seams are properly functional.
- Do not expose the stroller to strong sunshine.
- Sponge clean only.
- After use in rain or snow, the wheels should be lubricated and the stroller dried to prevent rust.
- Care for, clean and check this stroller regularly.
- Do not use accessories that have not been approved by the manufacturer.

---

### Your child's safety is your responsibility

If you have a problem with this product or require replacement parts, please visit [www.mybabiie.com/support](http://www.mybabiie.com/support)

Register your product at: [www.mybabiie.com/warranties](http://www.mybabiie.com/warranties)

# MyBabiie®

For little people who dream big

**Register your product at:**

[www.mybabiie.com/warranties](http://www.mybabiie.com/warranties)

**In the first instance of needing assistance please  
contact your original place of purchase.**

This product qualifies for 12 month warranty when  
registered through our site

## Follow us!



/MyBabiie



@MyBabiieOfficial



@MyBabiie



/MyBabiie

My Babiie Ltd

Repton Manor, Repton Avenue, Ashford, Kent, TN23 3GP