



Deluxe Highchair

GB Instruction Manual

ES Manual de instrucciones



IMPORTANT, RETAIN FOR FUTURE REFERENCE: READ CAREFULLY

Welcome to the familiee

Your trust in our product means the world to us, and we're thrilled to be a part of your parenting journey. Our team has worked tirelessly to ensure that this product provides comfort, safety, and style for you and your little one. We're confident it will exceed your expectations. Should you have any questions or require assistance in the future, please don't hesitate to reach out. Thank you for choosing My Babiie; we wish you and your family countless wonderful times ahead.

Get to know your Highchair

Scan the QR code below on your camera app to be linked off to our page to get all the information you need for using your highchair. From setting it up to how to fold it down, it's all there!



SCAN ME



Warranty

We provide a 1 year warranty against manufacturing or material defects.

The warranty period is effective from the day of purchase and applicable to the UK and Ireland. If you made your purchase from an authorised retailer, please return your product to them.

If you bought your product via our website; mybabiie.com, please contact our Customer Service team via email (info@mybabiie.com). We are happy to refund any product if you change your mind about your purchase (if purchased from our website, mybabiie.com.) As long as you tell us within 30 days of receiving your goods. They must be returned in an unused condition, in the original, undamaged packaging and complete with all original parts and accessories. Proof of purchase is required.

What is not covered by the Guarantee?

- Failure to follow My Babiie user guide and maintenance instructions.
- Damage caused by non domestic use
- General wear and tear, for example: worn wheels, damaged rain covers, worn/torn fabric.
- Deliberate damage, misuse or neglect.
- Product which has been modified, undergone an unauthorised repair or used a non approved spare part.
- Cosmetic damage.
- Parts subject to normal wear and tear, foam handles, rubber elements of wheels, signs of fabric wear.
- Loss incurred as a result of not being able to use a product whilst waiting for a spare part or repair.

A repair service is available for any item that sustains accidental damage at any point during its lifespan. If the damages are not covered by our guarantee, we will provide a quote for the repair costs on an individual basis. If you find yourself in need of spare parts that are not covered by the warranty, you can purchase each spare part on our website (subject to availability).

To read more about your guarantee, please visit mybabiie.com/guarantee.

Our guarantee is provided by My Babiie Ltd, Registered address: 15 Commercial Road, Paddock Wood, Kent, TN12 6EN .

Your statutory rights are not affected by the guarantee.

Registering your Warranty

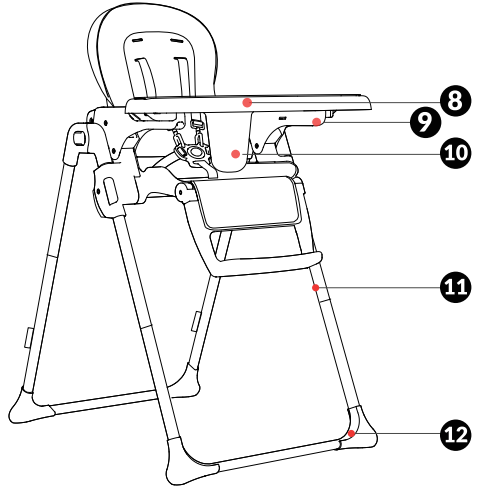
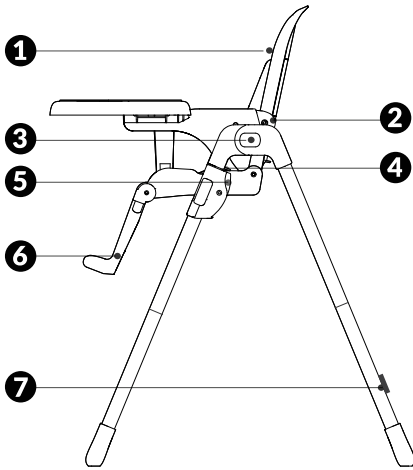
To register your warranty please visit www.mybabiie.com/warranties

Registering for your product warranty allows you to claim repairs or replacements if your product develops a fault. It will also help us contact you in the event of a product issue that you may need to be made aware of.

Problems or Questions

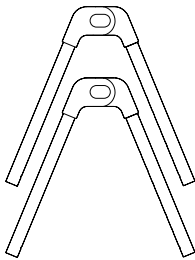
If you have any questions about your product then please drop us an email at info@mybabiie.com and we will get back to you as soon as possible. Alternatively, you can chat to us on our Live Support Chat on our website mybabiie.com or contact us via our social media channels.

Components

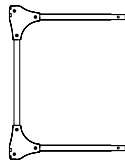


- | | | |
|---------------------|-------------------------|--------------|
| 1. Seat | 5. Height Adjust Button | 9. Armrest |
| 2. Backrest button | 6. Footrest | 10. T-bar |
| 3. Fold button | 7. Hook | 11. Tube leg |
| 4. Seat fold button | 8. Upper tray | 12. Foot pad |

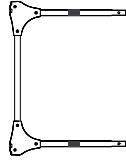
What's in the box



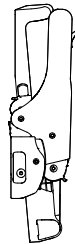
Upper leg left
and right



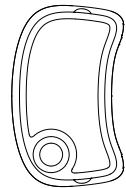
Front
down leg



Back
down leg



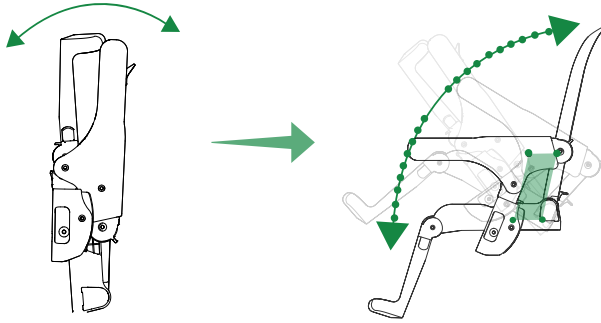
Seat set



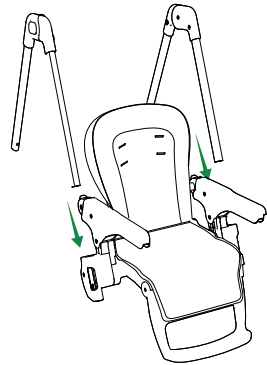
Tray set

Assembly

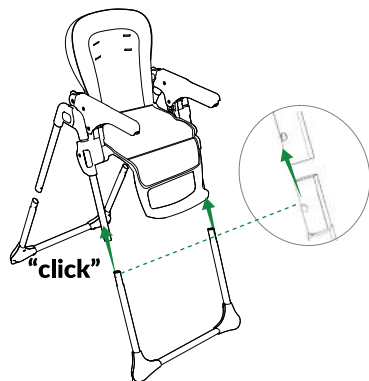
- 1** Open the seat set as shown.



- 2** Insert the 2 rear leg parts. Ensure that they are the correct way round with the leg fold button on the outside.

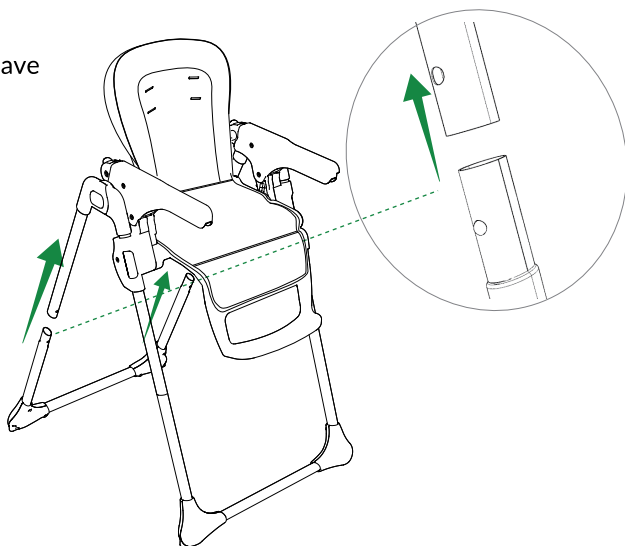


- 3** Insert the front legs. Once clicked into place ensure they are secure.
NOTE: the front legs do not have the tray hooks on.

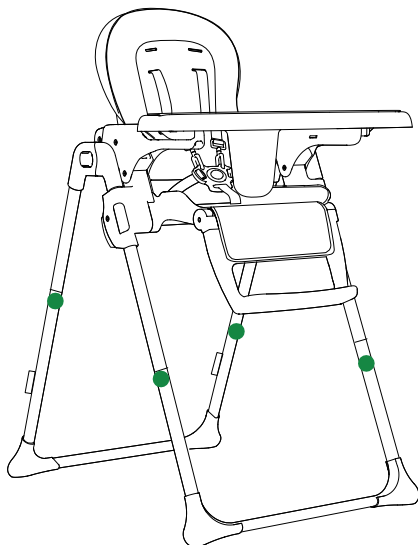


4 Insert the rear legs.

Note: The rear legs have tray hooks on.

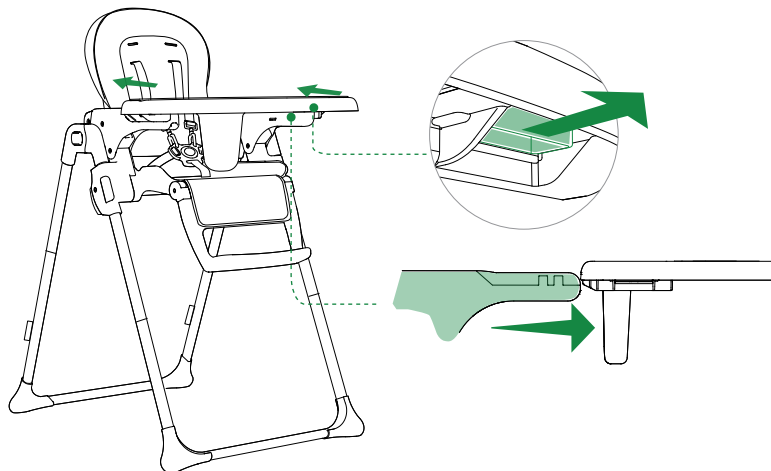


5 Ensure the highchair is assembled correctly, with all parts fully connected and secure.

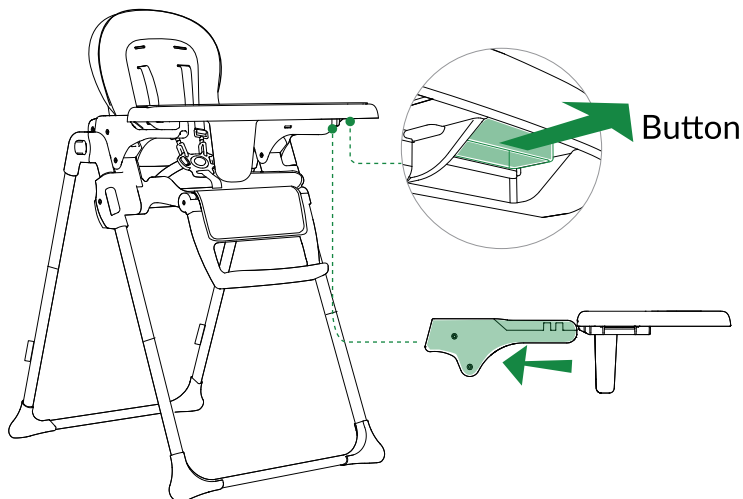


Tray adjustment

- 1** Press the buttons on the underside of each side of the tray and slide it onto the seat frame. Push in until it locks into position.

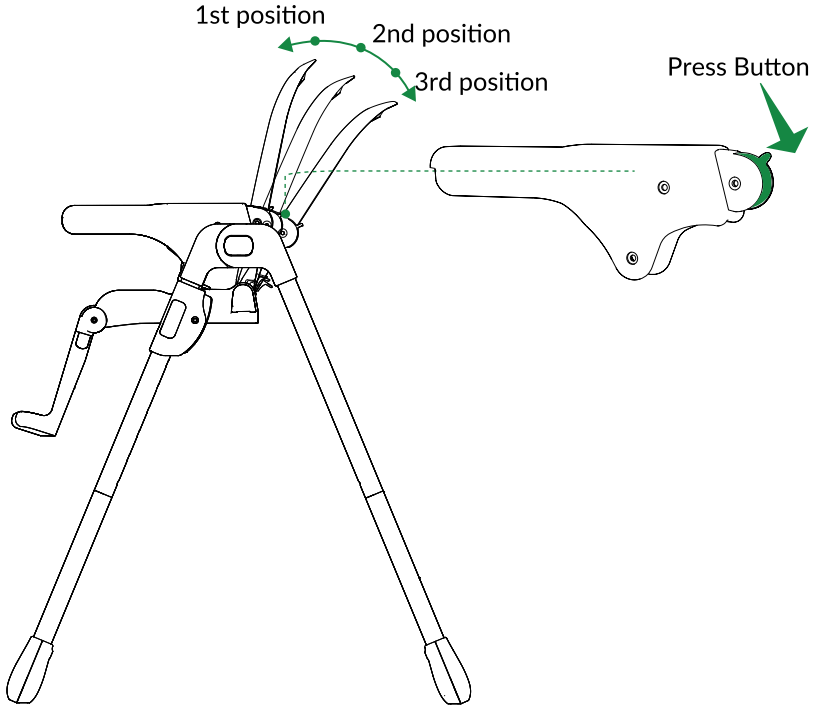


- 2** The tray has 2 positions. When adjusting the tray position you must press on both buttons on the underside to pull into your desired position.



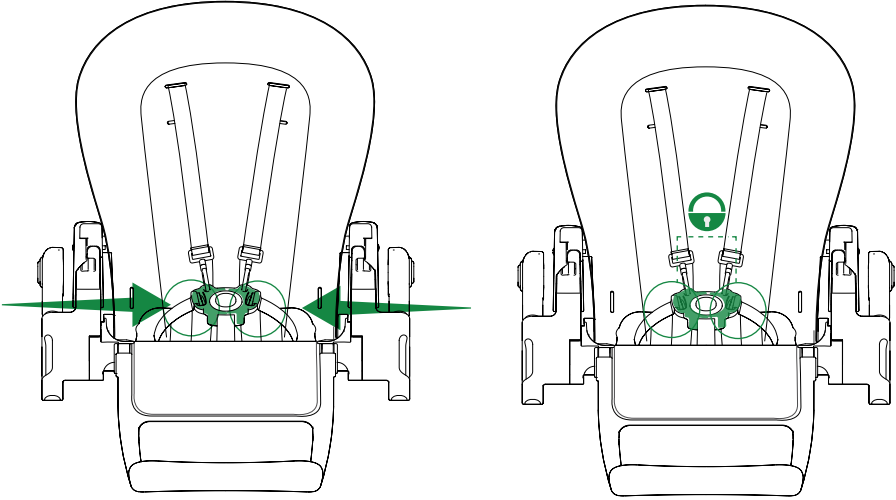
Backrest adjustment

- 1 The backrest has 3 positions. Press both backrest adjust buttons at the same time to change the recline position.

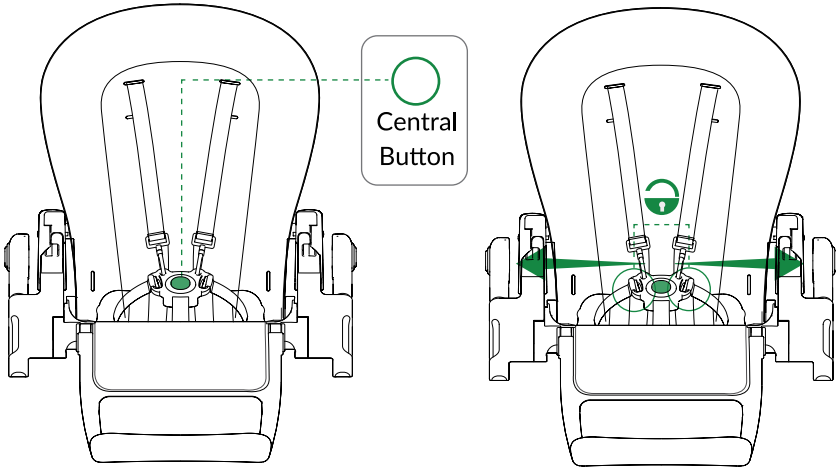


Safety harness

- 1 Insert both waist belts into the central buckle until you hear a click sound.



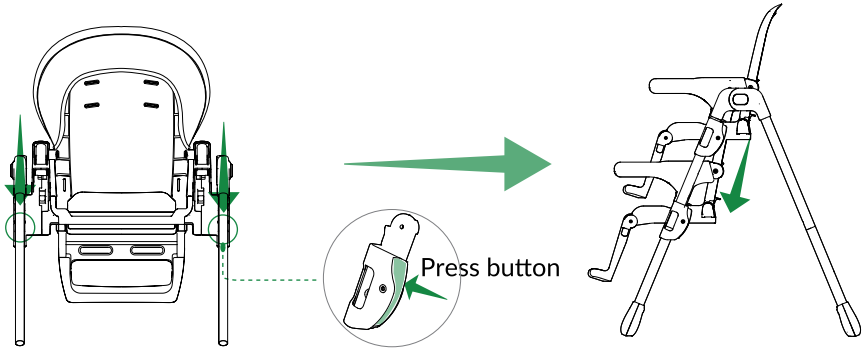
- 2 Press the central button to unfasten the safety belt.



Warning: You must fasten the safety belt when using this highchair.

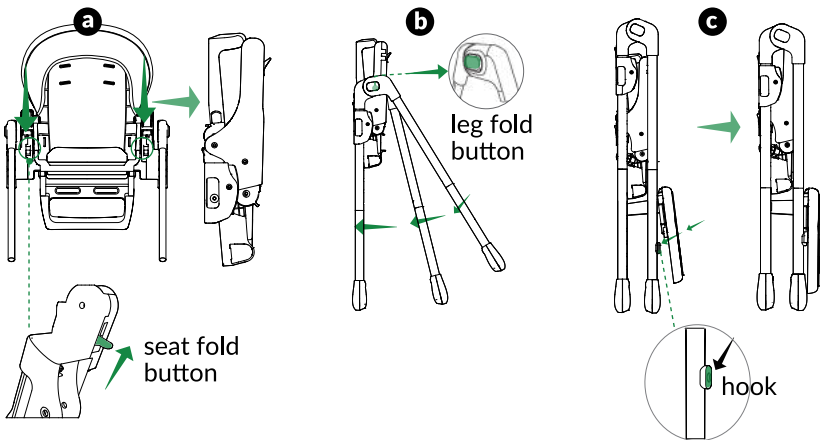
Height adjustment

- 1** The highchair has 6 height positions. To adjust the height setting, press both buttons together and slide the seat unit to the desired height. Ensure it has fully clicked into place before using.



Folding

- 1** (a) Pull up on the 2 seat fold buttons at the same time until the seat is fully folded.
(b) Press the leg fold buttons on either side to fold shut the legs.
(c) Hang the tray on the back of the rear legs.



Highchair warnings

IMPORTANT, RETAIN FOR FUTURE REFERENCE: READ CAREFULLY

Remove all packaging and non-permanent labels and dispose of safely before using this product. The safety of your child could be put at risk if you do not follow these instructions.

WARNING: Do not leave children unattended.

WARNING: Make sure that any harness is correctly fitted.

WARNING: Do not use the highchair unless all components are correctly fitted and adjusted.

WARNING: Be aware of the risk of open fire and other sources of strong heat, such as electric bar fires, gas fires etc. in the vicinity of the highchair.

WARNING: Do not use the highchair if any part is broken, torn or missing.

WARNING: Position the highchair away from solid structures and benches to avoid injuries caused by falls and by access to dangerous items.

WARNING: Use the highchair on a flat, even and horizontal floor and do not elevate the highchair on any structure or table.

WARNING: Do not lift the highchair or adjust the seat height with the child sat in it.

WARNING: To reduce the risk of injury, position the highchair away from furniture, walls, hot surfaces and liquids, window covering cords, and electrical cords and position the highchair away from furniture when the chair is not being used at a table with a tray removed.

WARNING: Prevent serious injury or death from falls or sliding out.

WARNING: Always use the restraint system.

WARNING: The removable tray is not designed to hold the child in the chair

WARNING: The highchair should be assembled by adults only.

WARNING: Keep small parts out of the reach of children. Small parts represent choking hazard.

WARNING: Falling hazard: Prevent your child from climbing on the product.

WARNING: Be aware of the risk of tilting when your child can push its feet against a table or any other structure.

WARNING: Keep children away when unfolding and folding the product to avoid injury.

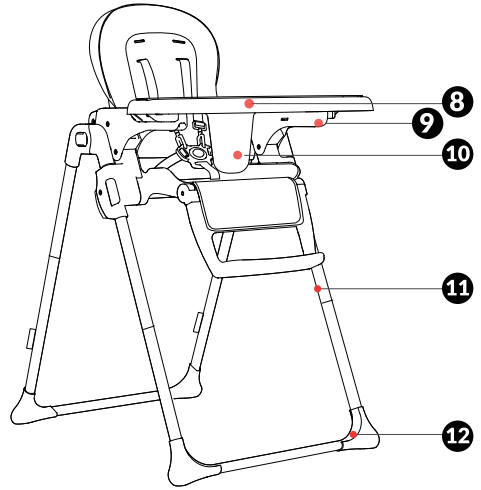
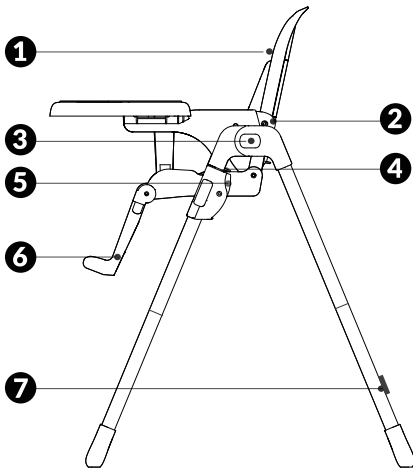
WARNING: This highchair is only suitable for children who are able to sit up unaided (approx. 6-9 months) up to 36 months & up to 15kgs. Do not use the product until the child can sit up unaided.

WARNING: Check harnesses or restraint systems regularly for food or dirt ingress as debris or trapped foods can stop the harness / restraint system from working and could lead to a critical safety issue.

Product complies to BS EN 14988:2017+A1:2020

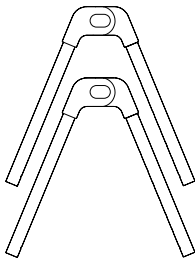
Care and maintenance

- Before use ensure all locking devices work correctly & regularly.
- Wipe down all plastic or metal parts with a damp cloth using mild soap. Ensure all parts are thoroughly dry before use.
- Light soiling of the seat pad can be removed with a damp cloth using mild soap. Do not tumble dry, dry clean, nor should you use strong detergents or abrasive materials on this product.
- Do not place the highchair in direct sunlight for a long periods of time.
- Inspect the highchair regularly for signs of wear. Never use the highchair if it does not function as it should.

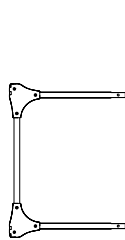


- | | | |
|---------------------------------|------------------------------|-------------------------------|
| 1. Asiento | 5. Botón de ajuste de altura | 9. Brazo |
| 2. Botón del respaldo | 6. Reposapiés | 10. Barra en T |
| 3. Botón de plegado | 7. Gancho | 11. Pata de tubo |
| 4. Botón de plegado del asiento | 8. Bandeja superior | 12. almohadilla para los pies |

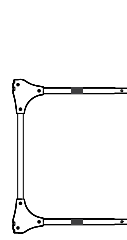
Qué hay en la caja



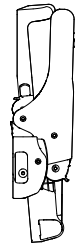
Pierna superior izquierda y correcto



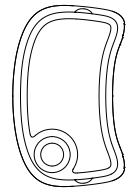
Frente pierna abajo



Atrás pierna abajo

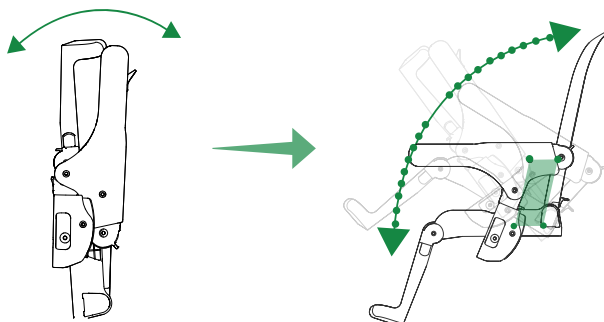


Juego de asientos

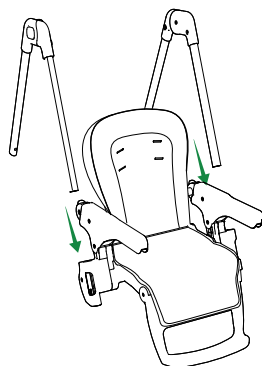


Juego de bandejas

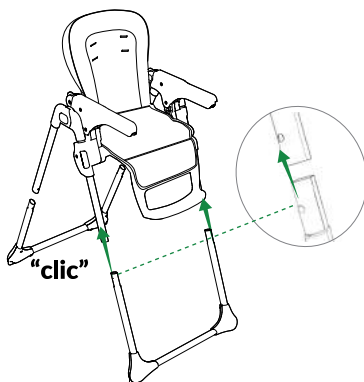
- 1** Abra el juego de asientos como se muestra.



- 2** Inserte las 2 partes de las patas traseras. Asegúrese de que estén en la posición correcta con el botón de plegue de piernas en el exterior.

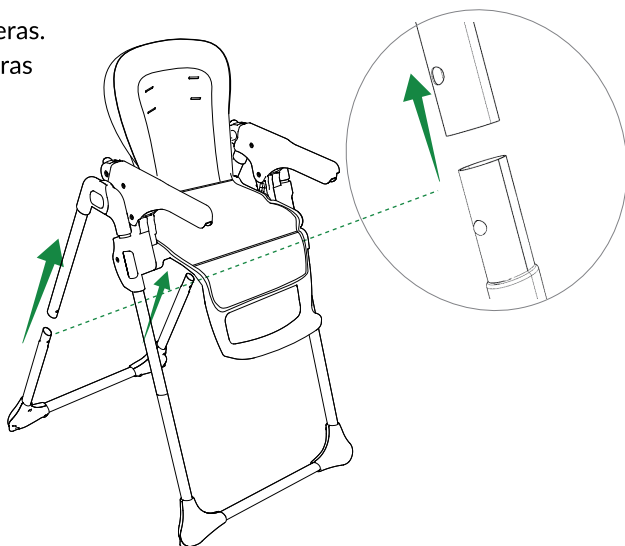


- 3** Inserte las patas delanteras. Una vez que estén colocados en su lugar, asegúrese de que estén seguros.
NOTA: las patas delanteras no tienen los ganchos de la bandeja puestos.

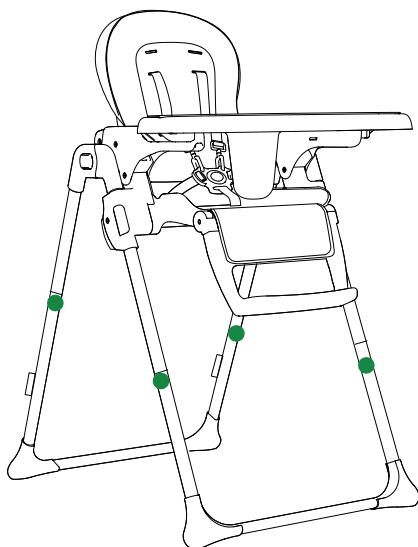


4 Inserte las patas traseras.

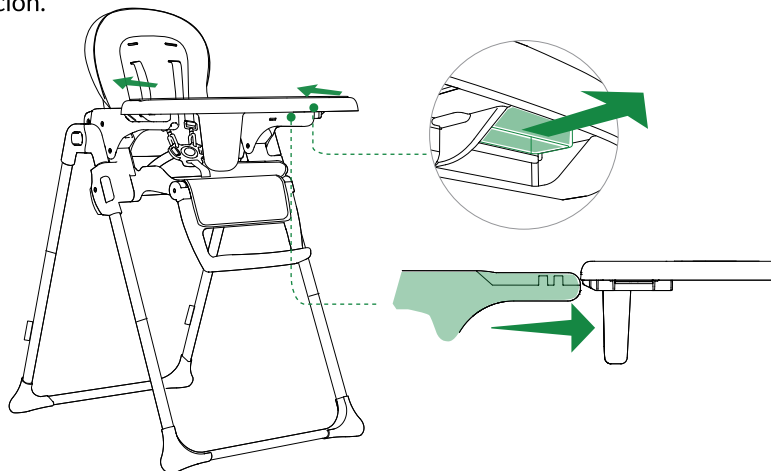
Nota: Las patas traseras tienen ganchos para bandejas.



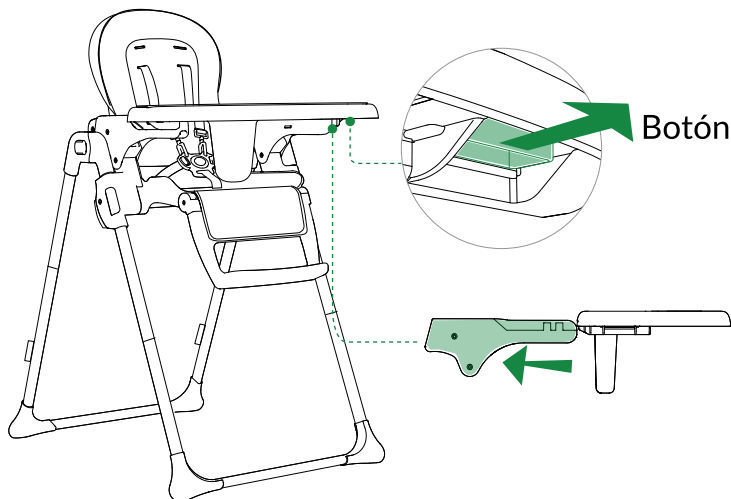
5 Asegúrese de que la trona esté ensamblada correctamente, con todas las piezas completamente conectadas y seguras.



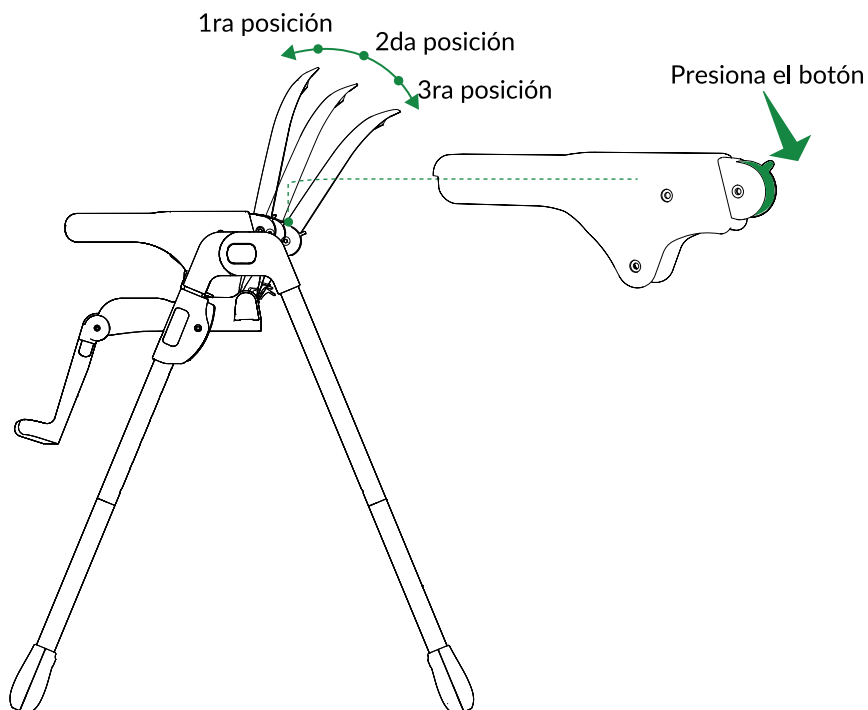
- 1** Presione los botones en la parte inferior de cada lado de la bandeja y deslícela sobre el marco del asiento. Empuje hasta que encaje en su posición.



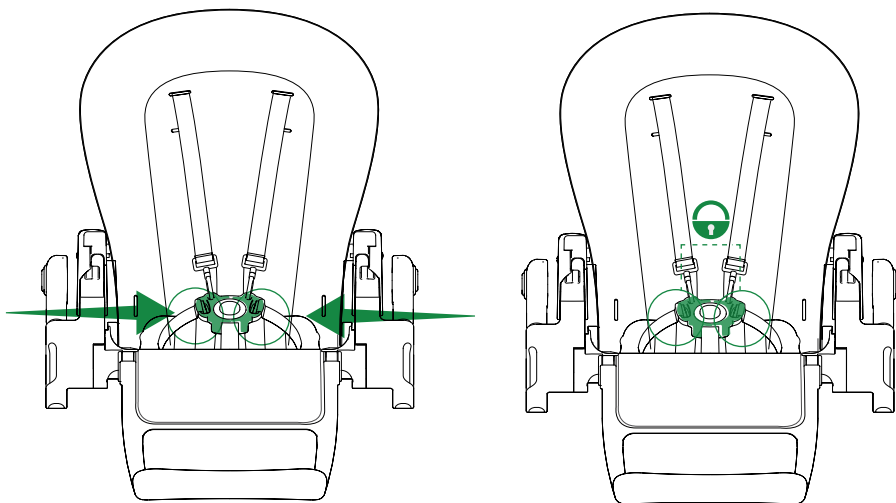
- 2** La bandeja tiene 2 posiciones. Al ajustar la posición de la bandeja, debe presionar ambos botones en la parte inferior para colocarla en la posición deseada.



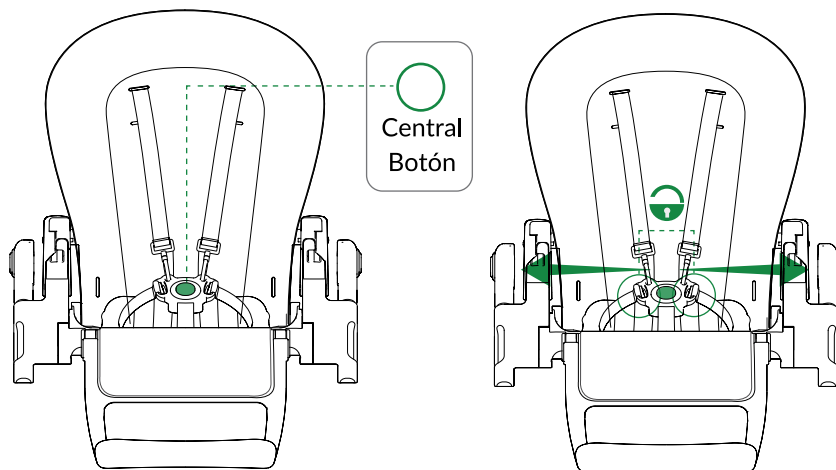
- 1** El respaldo tiene 3 posiciones. Presione ambos botones de ajuste del respaldo al mismo tiempo para cambiar la posición de reclinado.



- 1** Inserte ambos cinturones en la hebilla central hasta que escuche un clic.

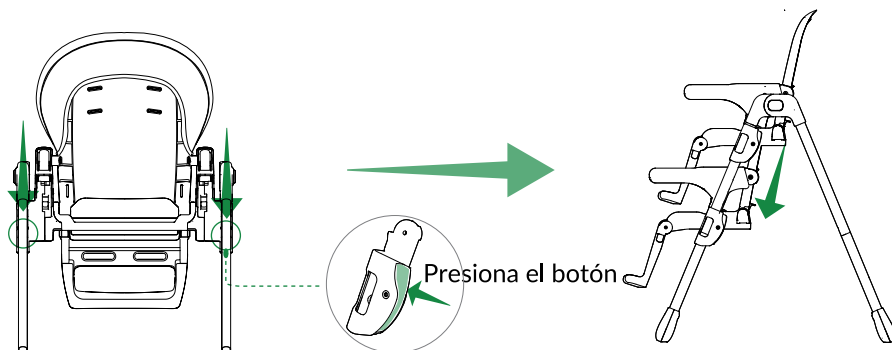


- 2** Pulsa el botón central para desabrochar el cinturón de seguridad.



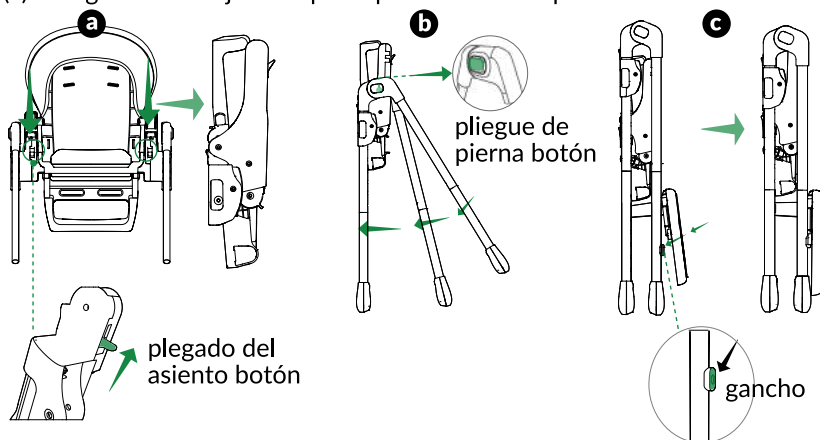
Advertencia: Debes abrocharte el cinturón de seguridad cuando utilices esta trona.

- 1** La trona tiene 6 posiciones de altura. Para ajustar la altura, presione ambos botones juntos y deslice la unidad del asiento a la altura deseada. Asegúrese de que haya encajado completamente en su lugar antes de usarlo.



Plegable

- 1** (a) Tire hacia arriba de los 2 botones de plegado del asiento al mismo tiempo hasta que el asiento esté completamente plegado.
(b) Presione los botones de plegue de las piernas a cada lado para cerrar las piernas.
(c) Cuelgue la bandeja en la parte posterior de las patas traseras.



IMPORTANTE, CONSERVAR PARA FUTURA CONSULTA: LEA DETENIDAMENTE

Retire todos los embalajes y etiquetas no permanentes y deséchelos de forma segura antes de usar este producto. La seguridad de su hijo podría correr riesgo si no sigue estas instrucciones.

ADVERTENCIA: No deje a los niños desatendidos.

ADVERTENCIA: Asegúrese de que cualquier arnés esté correctamente colocado.

ADVERTENCIA: No utilice la trona a menos que todos los componentes estén instalados y ajustados correctamente.

ADVERTENCIA: Tenga en cuenta el riesgo de que haya fuego abierto y otras fuentes de calor intenso, como fogones de barras eléctricas, fogones de gas, etc., en las proximidades de la trona.

ADVERTENCIA: No utilice la trona si alguna pieza está rota, rota o falta.

ADVERTENCIA: Coloque la trona alejada de estructuras sólidas y bancos para evitar lesiones causadas por caídas y por el acceso a elementos peligrosos.

ADVERTENCIA: Utilice la trona sobre un piso plano, nivelado y horizontal y no eleve la trona sobre ninguna estructura o mesa.

ADVERTENCIA: No levante la trona ni ajuste la altura del asiento con el niño sentado en ella.

ADVERTENCIA: Para reducir el riesgo de lesiones, coloque la trona alejada de muebles, paredes, superficies y líquidos calientes, cables de cubiertas de ventanas y cables eléctricos, y coloque la trona alejada de muebles cuando no esté en uso en una mesa con bandeja. remoto.

ADVERTENCIA: Evite lesiones graves o la muerte por caídas o deslizamientos.

ADVERTENCIA: Utilice siempre el sistema de retención.

ADVERTENCIA: La bandeja extraíble no está diseñada para sujetar al niño en la silla.

ADVERTENCIA: La trona debe ser montada únicamente por adultos.

ADVERTENCIA: Mantenga las piezas pequeñas fuera del alcance de los niños. Las piezas pequeñas representan peligro de asfixia.

ADVERTENCIA: Peligro de caída: Evite que su niño se suba al producto.

ADVERTENCIA: Tenga en cuenta el riesgo de vuelco cuando su hijo pueda empujar sus pies contra una mesa o cualquier otra estructura.

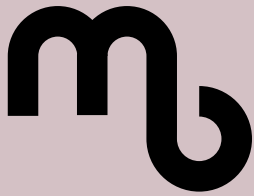
ADVERTENCIA: Mantenga alejados a los niños al desplegar y plegar el producto para evitar lesiones.

ADVERTENCIA: Esta trona solo es adecuada para niños que puedan sentarse sin ayuda (aprox. 6-9 meses) hasta los 36 meses y hasta 15 kg. No utilice el producto hasta que el niño pueda sentarse sin ayuda.

ADVERTENCIA: Revise los arneses o los sistemas de sujeción con regularidad para detectar la entrada de alimentos o suciedad, ya que los desechos o los alimentos atrapados pueden impedir que el arnés o el sistema de sujeción funcionen y podrían provocar un problema de seguridad crítico.

El producto cumple con BS EN 14988:2017+A1:2020

- Antes de su uso, asegúrese de que todos los dispositivos de bloqueo funcionen correctamente y con regularidad.
- Limpie todas las piezas de plástico o metal con un paño húmedo y jabón suave. Asegurar todo las piezas estén completamente secas antes de su uso.
- La suciedad ligera del acolchado del asiento se puede eliminar con un paño húmedo y un jabón suave. Hacer no secar en secadora, limpiar en seco, ni utilizar detergentes fuertes ni materiales abrasivos en este producto.
- No coloque la trona bajo la luz solar directa durante períodos prolongados.
- Inspeccione la trona periódicamente para detectar signos de desgaste. Nunca utilices la trona si no funcionar como debería.



Register your product

www.mybabiie.com/warranties

In the first instance of needing assistance please contact your original place of purchase.

This product qualifies for 12 month warranty when registered through our website

mybabiie.com



My Babiie



@MyBabiieOfficial



My Babiie



@mybabiie_official



@MyBabiie

My Babiie Ltd, Paddock Wood, Kent, TN12 6EN

My Babiie EU , Generaal Vetterstraat 76A, 1059 BW Amsterdam, The Netherlands