



MB450i

Travel System

GB Instruction Manual

ES Manual de instrucciones



IMPORTANT, RETAIN FOR FUTURE REFERENCE: READ CAREFULLY

Welcome to the familiee

Your trust in our product means the world to us, and we're thrilled to be a part of your parenting journey. Our team has worked tirelessly to ensure that the MB450i provides comfort, safety, and style for you and your little one. We're confident it will exceed your expectations. Should you have any questions or require assistance in the future, please don't hesitate to reach out. Thank you for choosing My Babiie; we wish you and your family countless wonderful journeys ahead.

Get to know your MB450i Travel System

Scan the QR code below on your camera app to be linked off to our page to get all the information you need for using your Travel System. From setting it up to how to fold it down, it's all there!



SCAN ME



Warranty

We provide a 1 year warranty against manufacturing or material defects.

The warranty period is effective from the day of purchase and applicable to the UK and Ireland. If you made your purchase from an authorised retailer, please return your product to them.

If you bought your product via our website; mybabiie.com, please contact our Customer Service team via email (info@mybabiie.com). We are happy to refund any product if you change your mind about your purchase (if purchased from our website, mybabiie.com.) As long as you tell us within 30 days of receiving your goods. They must be returned in an unused condition, in the original, undamaged packaging and complete with all original parts and accessories. Proof of purchase is required.

What is not covered by the Guarantee?

- Failure to follow My Babiie user guide and maintenance instructions.
- Damage caused by non domestic use
- General wear and tear, for example: worn wheels, damaged rain covers, worn/tear fabric.
- Deliberate damage, misuse or neglect.
- Product which has been modified, undergone an unauthorised repair or used a non approved spare part.
- Car seats which have been involved in an accident, we recommend all car seats should be replaced if involved in an accident.
- Cosmetic damage.
- Parts subject to normal wear and tear, foam handles, rubber elements of wheels, signs of fabric wear.
- Loss incurred as a result of not being able to use a product whilst waiting for a spare part or repair.

A repair service is available for any item that sustains accidental damage at any point during its lifespan. If the damages are not covered by our guarantee, we will provide a quote for the repair costs on an individual basis. If you find yourself in need of spare parts that are not covered by the warranty, you can purchase each spare part on our website (subject to availability).

To read more about your guarantee, please visit mybabiie.com/guarantee.

Our guarantee is provided by My Babiie Ltd, Registered address: 15 Commercial Road, Paddock Wood, Kent, TN12 6EN .

Your statutory rights are not affected by the guarantee.

Registering your Warranty

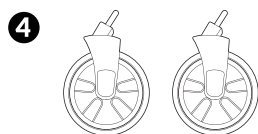
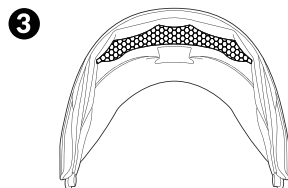
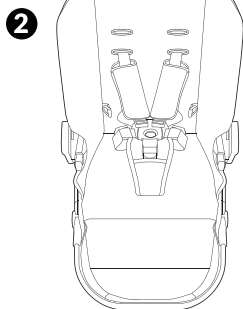
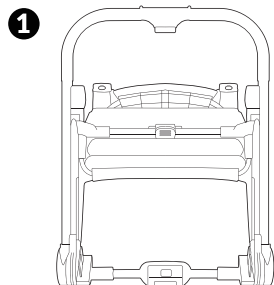
To register your warranty please visit www.mybabiie.com/warranties

Registering for your product warranty allows you to claim repairs or replacements if your product develops a fault. It will also help us contact you in the event of a product issue that you may need to be made aware of.

Problems or Questions

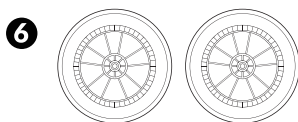
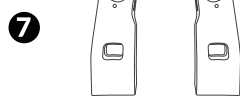
If you have any questions about your product then please drop us an email at info@mybabiie.com and we will get back to to you as soon as possible. Alternatively, you can chat to us on our Live Support Chat on our website mybabiie.com or contact us via our social media channels.

What's in the box



L

R



1. Frame

2. Main seat

3. Canopy

4. Front Swivel Wheels

5. Safety Bar

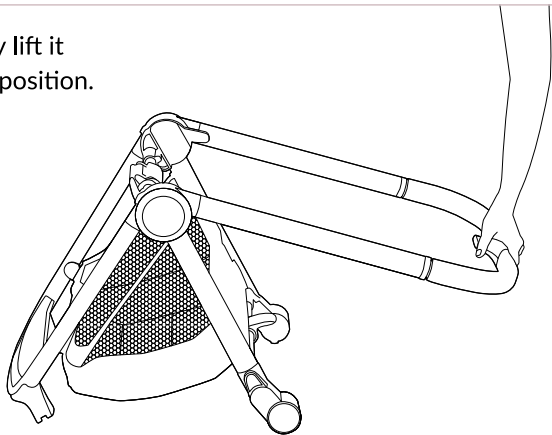
6. Rear Wheels

7. Car seat Adapter

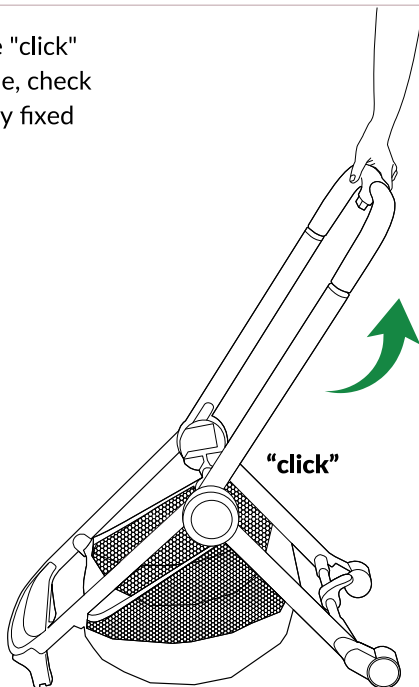
8. Raincover

Setting up the frame

- 1** Hold the handle and gently lift it upwards until it locks into position.

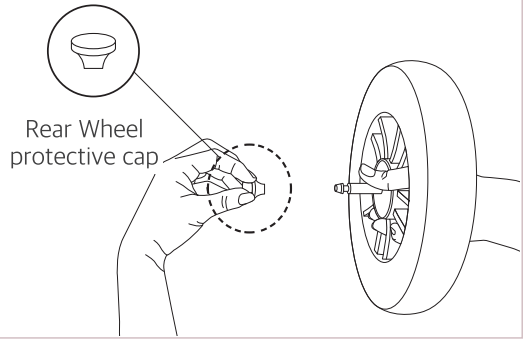


- 2** After you hear an audible "click" on both sides of the frame, check if the handle is completely fixed into position.

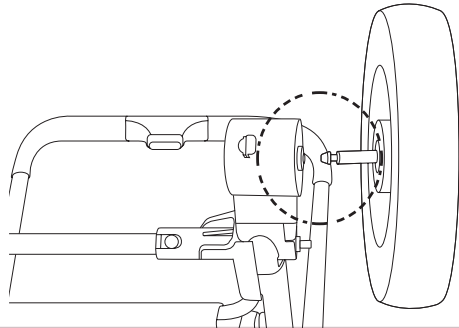


Rear wheel installation

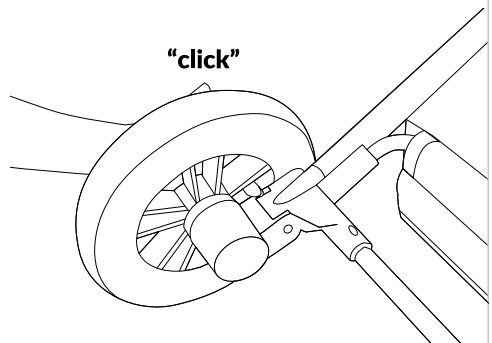
- 1 Remove the protective caps on the connecting pieces of both rear wheels.



- 2 Take a rear wheel unit and insert its connecting piece into rear wheel housing until it clicks into position.

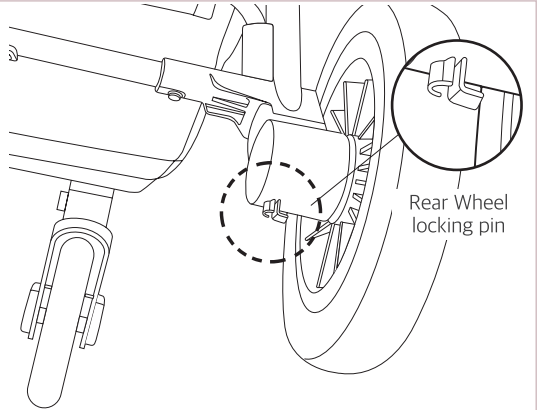


- 3 Install the other wheel on the other side with the same method.

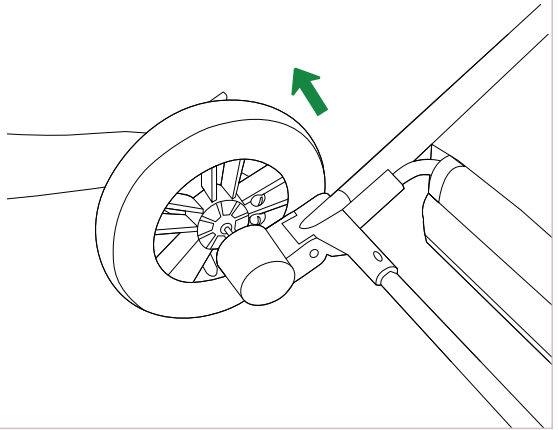


Rear wheel removal

- 1** Pull and hold the locking pin at the bottom surface of the connecting piece to the rear wheel.

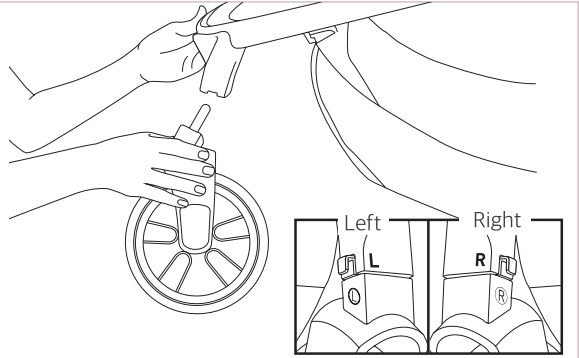


- 2** Remove the rear wheel by pulling it out in the direction of the arrow.

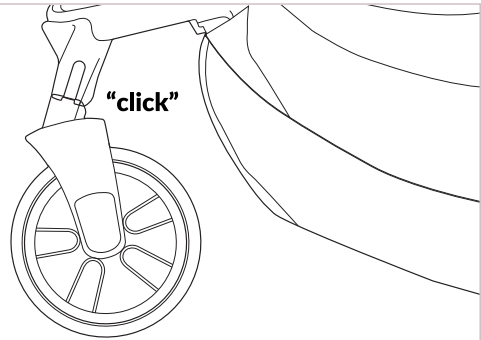


Front swivel wheel installation

- 1 Check the LR direction marks on the frame and the front wheels, then take a front wheel unit and insert its connecting piece into the plastic hole until it clicks into position.

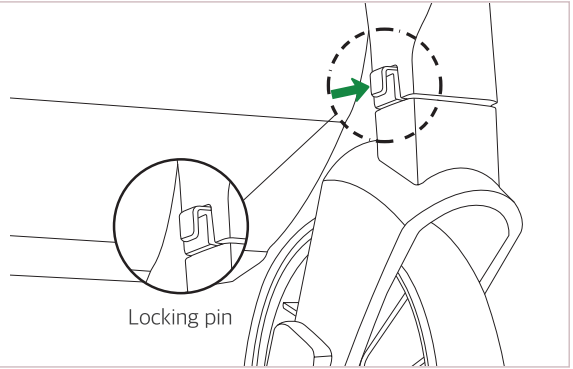


- 2 Install the other side using the same method.

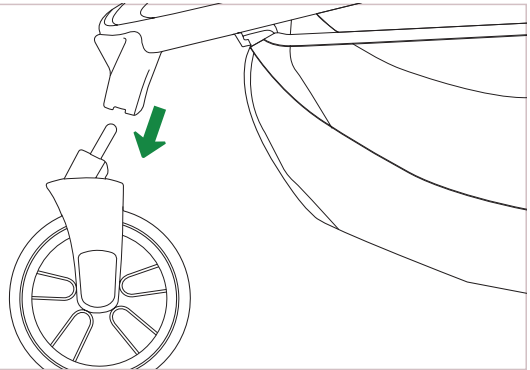


Front swivel wheel removal

- 1** Push and hold the inward locking pin in the direction of the arrow.

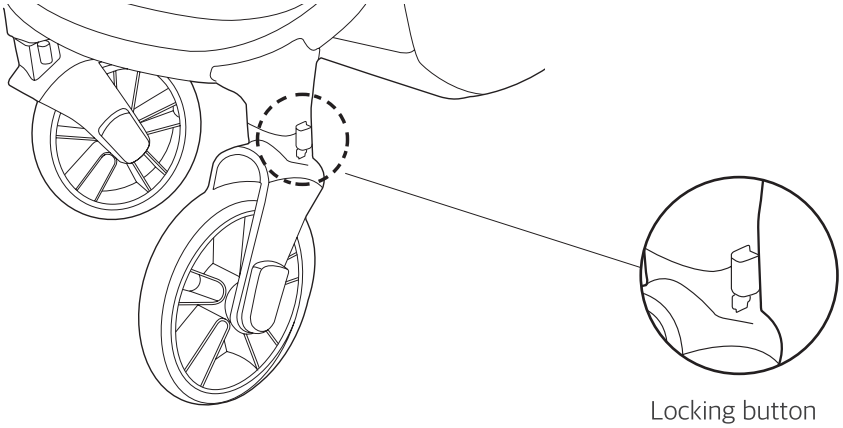


- 2** Remove the front wheels by pulling them in the direction of the arrow.

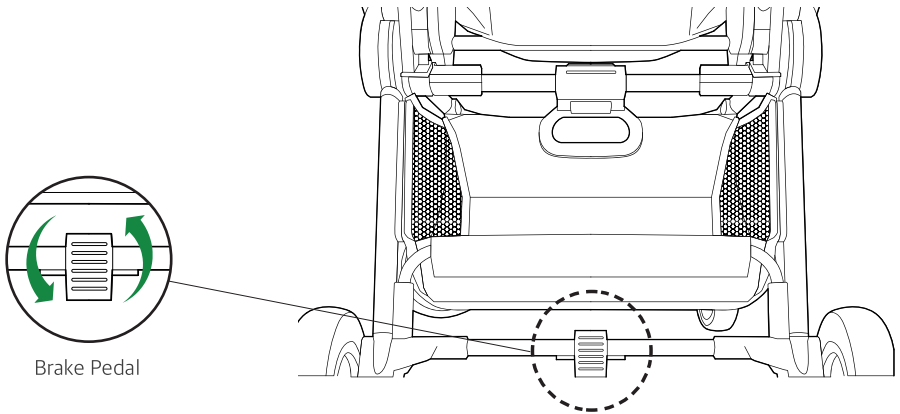


Locking devices

- 1** Raise the locking buttons on the front swivel wheels to lock the direction of the wheels; Lower it to unlock the front swivel wheels.

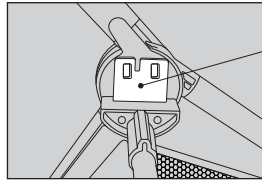
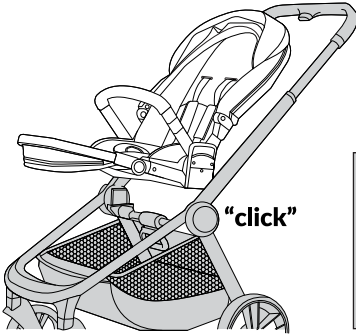


- 2** Press down the brake pedal on the middle of the rear axle to engage the brake; Raise the pedal to release the brake.



Main seat installation

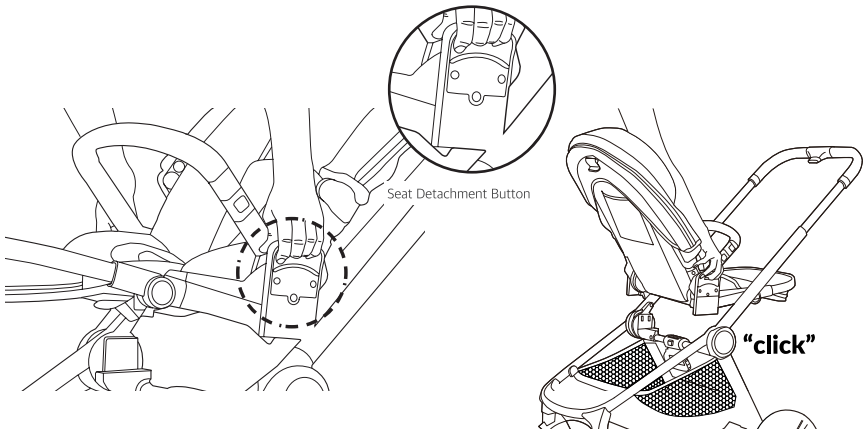
- 1 Push down the seat gently on the frame until a firm “click” sound is heard (The seat can also be installed in the opposite direction)



Connectors on the inward frame

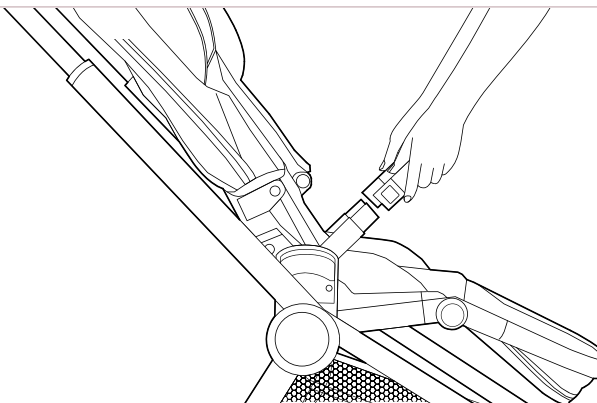
Switch seat facing directions

- 1 Pull the detachment buttons upward on both sides simultaneously and lift the seat.
- 2 Change the direction of the seat as shown in the picture and install it on the frame.

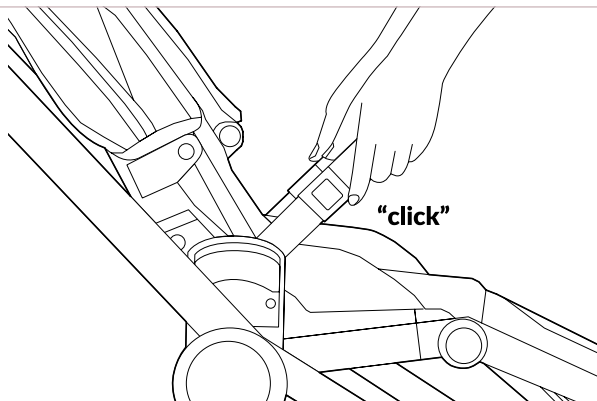


Safety bar installation

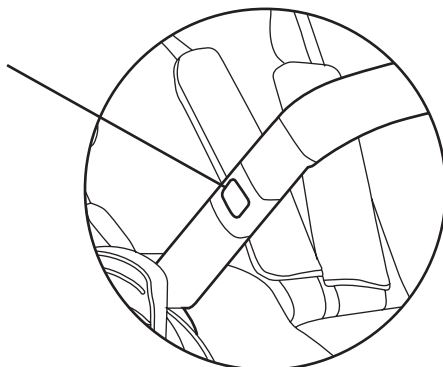
- 1** Install the safety bar into the connectors on both sides of the seat.



- 2** Insert it thoroughly with a firm "Click" on each side.

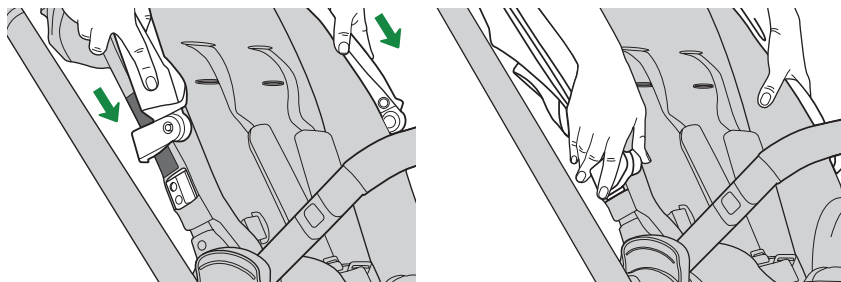


- 3** Push this button to detach the safety bar.

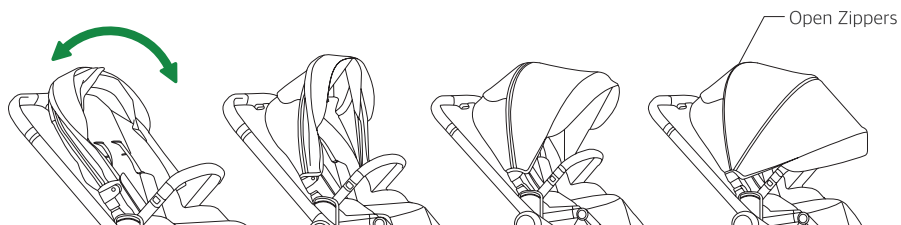


Canopy installation

- 1 With the seat in the world facing position, insert the canopy into both sides of the seat.

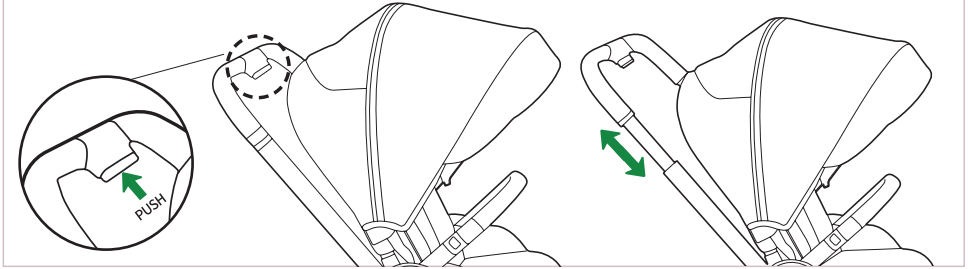


- 2 The canopy can be unfolded and folded in the direction of the arrow.



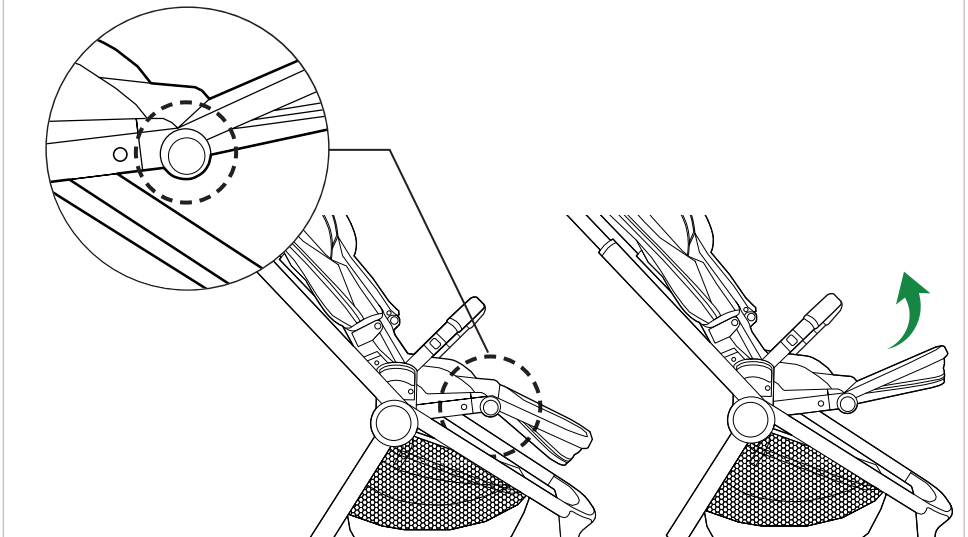
Handle height adjustment

- 1 Push and hold the button on the underside of the handle to adjust the height of the handle.



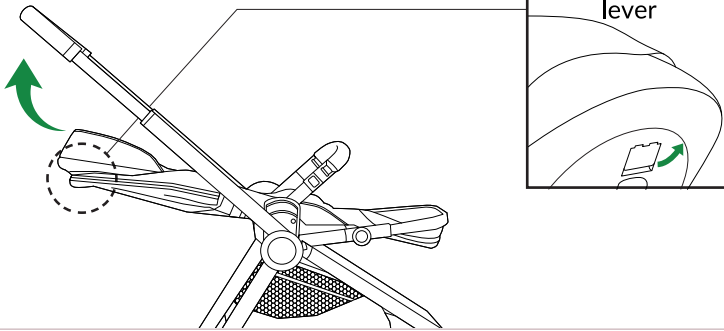
Footrest adjustment

- 1 Press and hold the buttons on both sides of the footrest to adjust its angle.

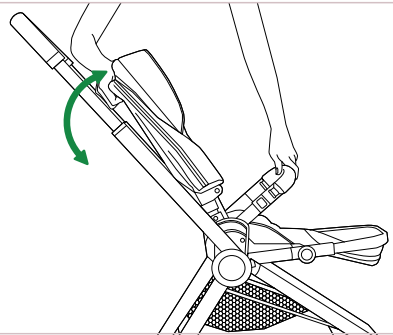


Backrest adjustment

- 1** Pull the lever at the top rear of the backrest.

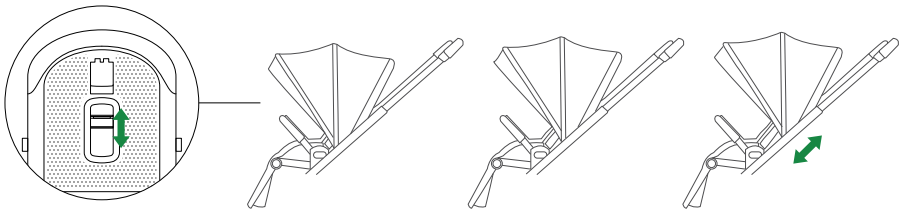


- 2** Adjust to the desired recline position and release the lever to lock the seat into position.



Canopy height adjustment

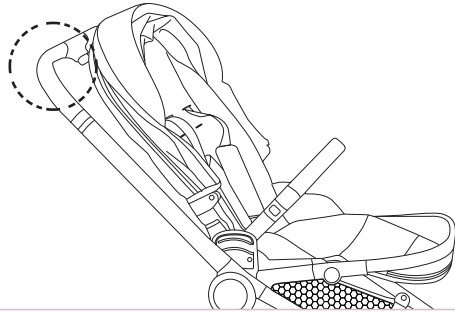
- 1** The canopy height can be adjusted to 3 positions. Press the button on the back of the seat unit to raise or lower the position of the canopy.



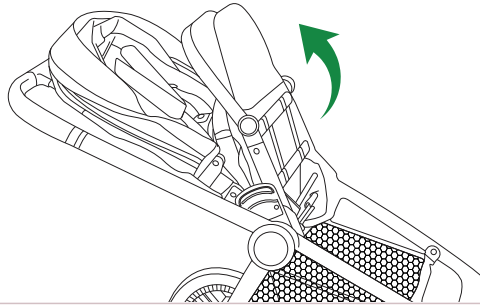
NOTE: The canopy should be positioned in the lowest position prior to folding the pushchair otherwise the canopy will touch the ground when the stroller is standing on the floor.

Folding the pushchair

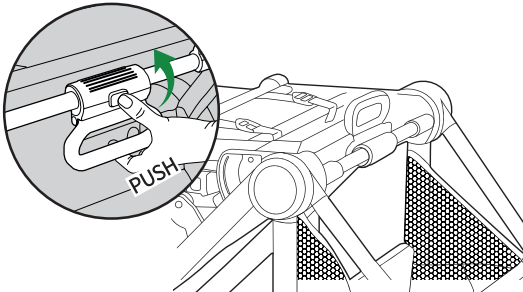
- 1** Lower the handle to its lowest position.



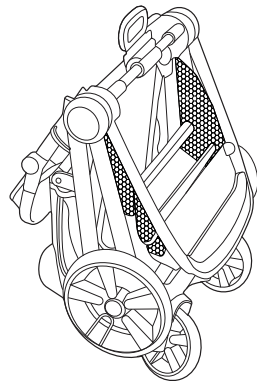
- 2** Fold the footrest up as shown.



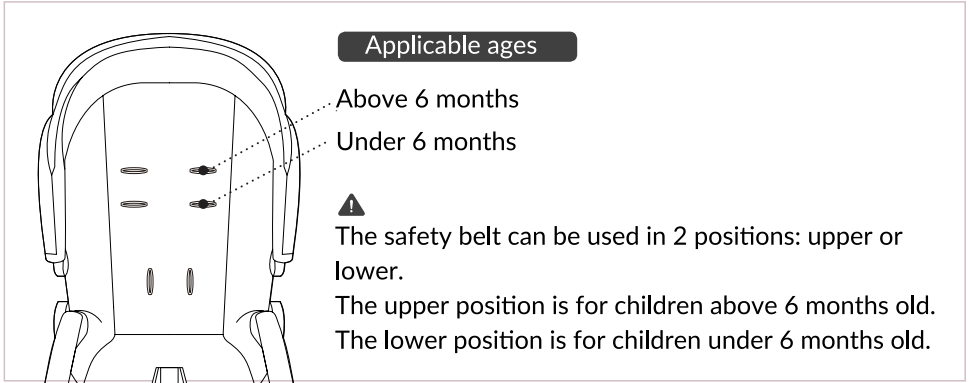
- 3** Press and hold the button on the folding handle at the bottom of the seat, turn the handle upward and lift up.



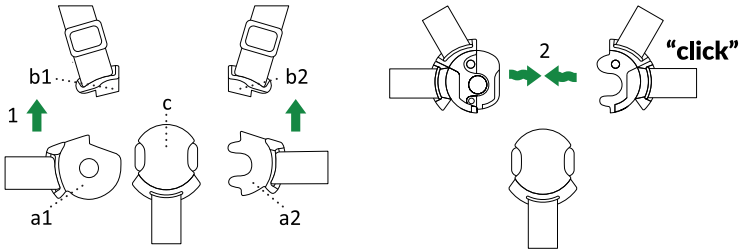
- 4** The completed fold.



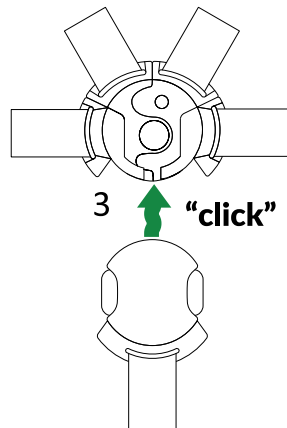
Safety belt usage



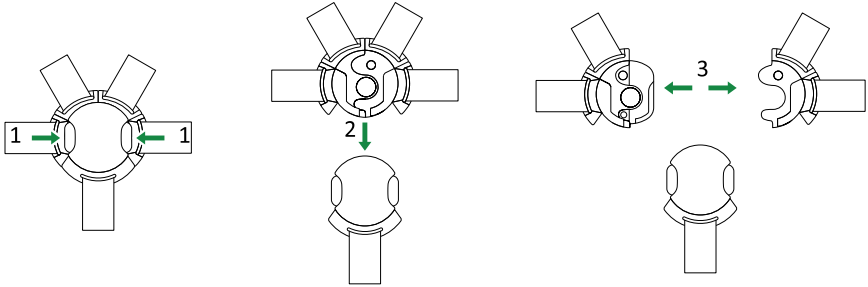
- 1** Insert part **b1** into part **a1**, insert part **b2** into part **a2**, a “click” will indicate that they are attached correctly.



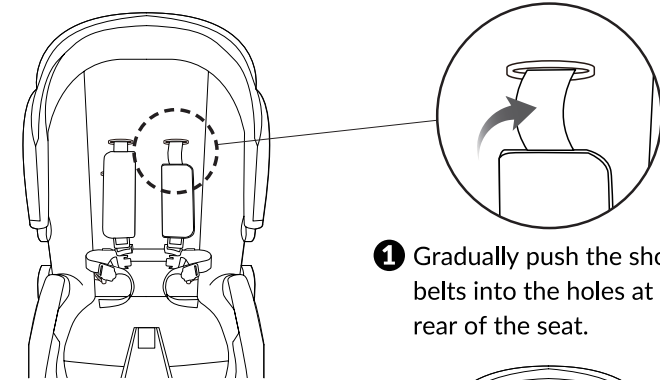
- 2** Place part **a2** on top of part **a1**, place the buckle component “**c**”, as shown in the image above on top of the combined parts **a1+a2**. A click will indicate they are attached correctly



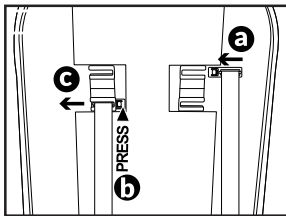
3 To release the buckle, press the buttons on either side.



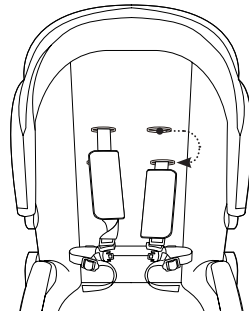
4 **Shoulder belt detachment** (change the location of the shoulder belts)



1 Gradually push the shoulder belts into the holes at the rear of the seat.



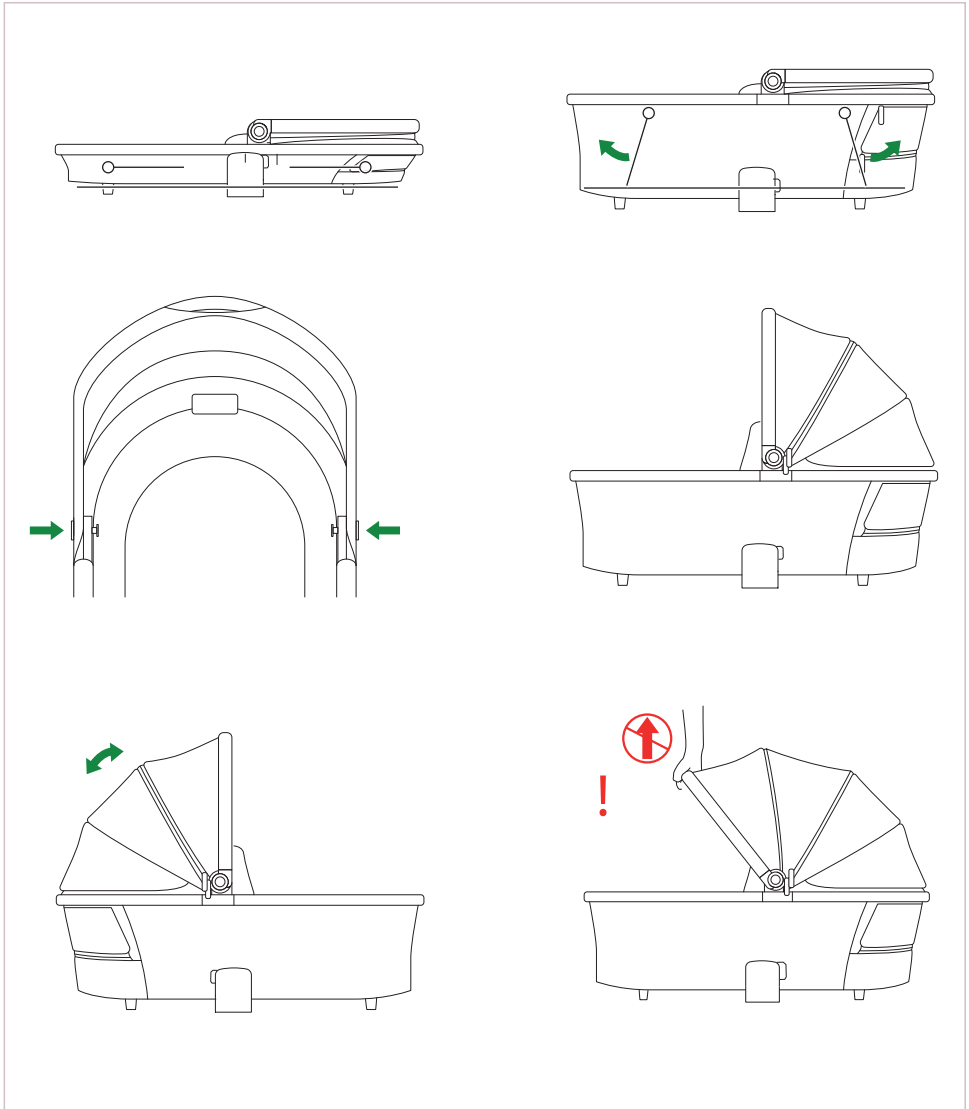
2 Slide the buckle in to place it (a). To remove the buckle press and hold the button (b) then slide out the buckle (c).

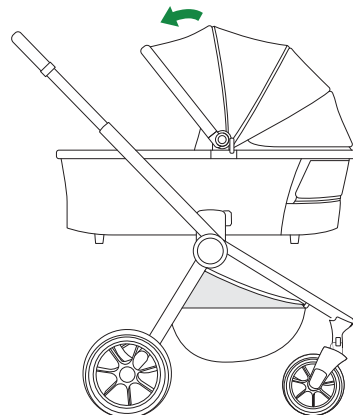
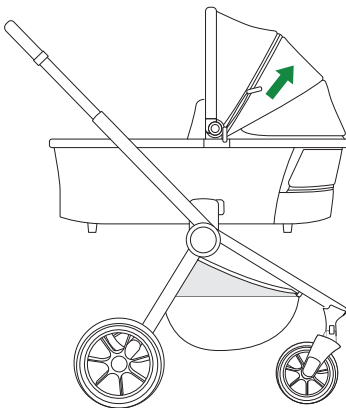
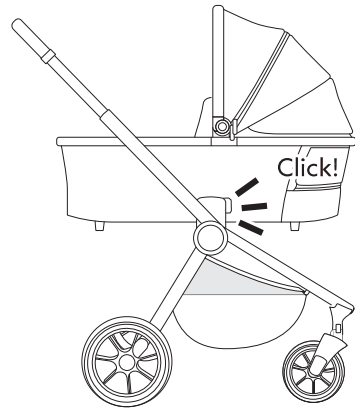
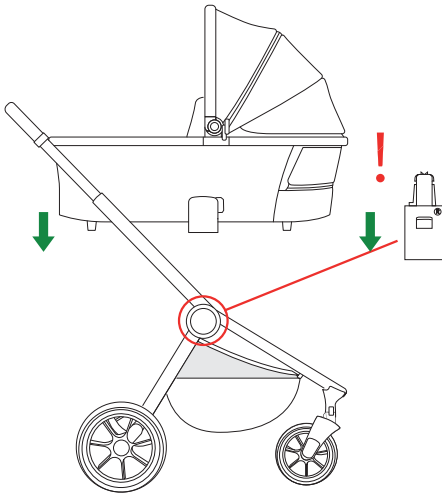
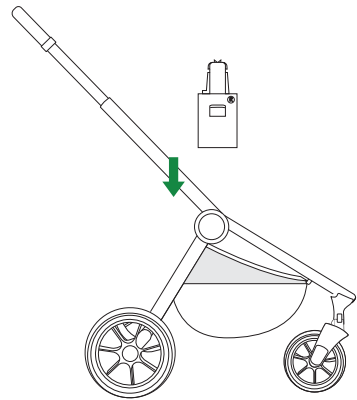
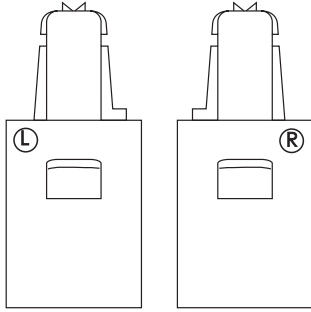


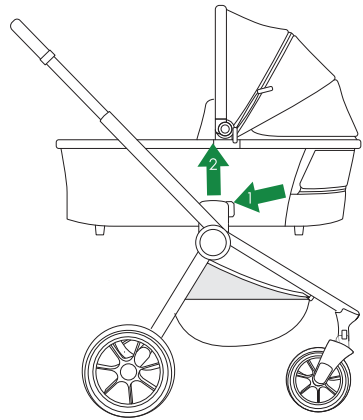
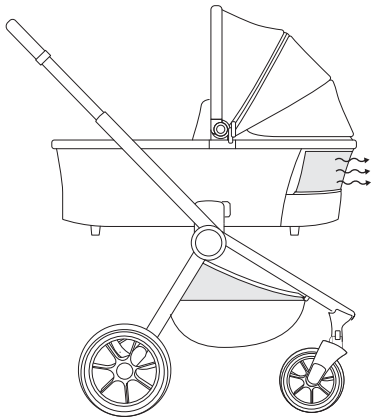
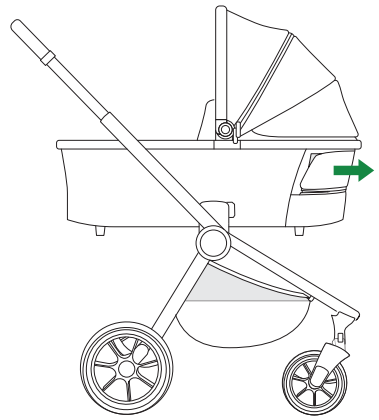
3 Change the location of the shoulder belts and insert them back.

Carrycot assembly

! The product can be used ONLY for babies who cannot sit or stand unaided (Under 6 months approx. Never use the products for babies who may raise itself by its hands or knees) Must NOT use the product when the baby is able to sit unaided. Recommended time for continuous use is 1 hour

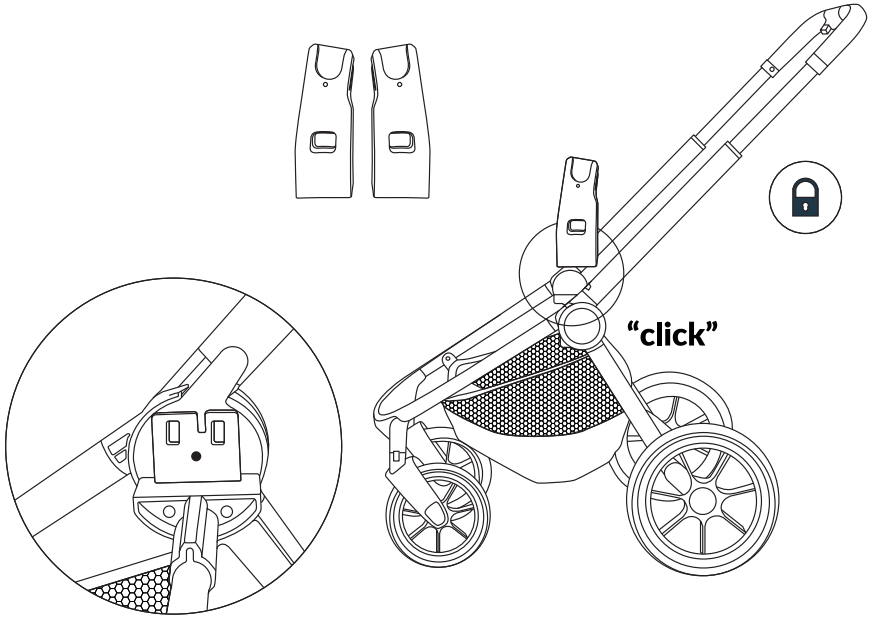






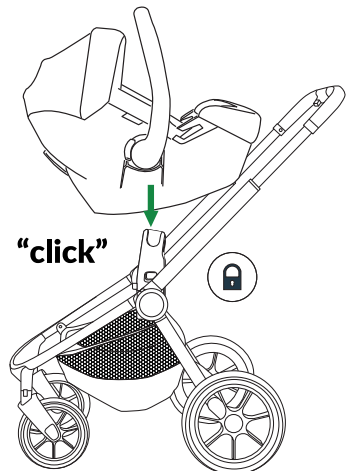
Car Seat assembly

- 1 Remove the seat unit from the chassis then attach the car seat adaptors to the frame. Listen for a “click” from each one to signal correct assembly.



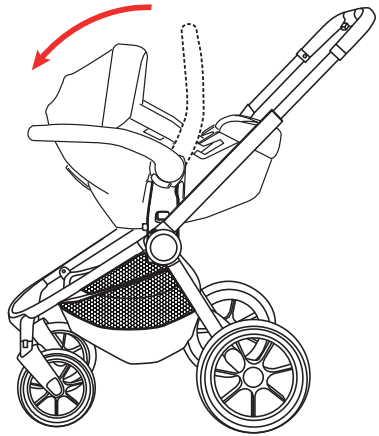
- 2 Push the car seat down onto the adaptors. The car seat will click into place. Lift it up by the handle to ensure that it is firmly secured.

Alternatively you can attach the adaptors to the car seat first then attach the car seat to the chassis.



- 3** Press the adjuster buttons on each side of the end of the handle to adjust the handle position.

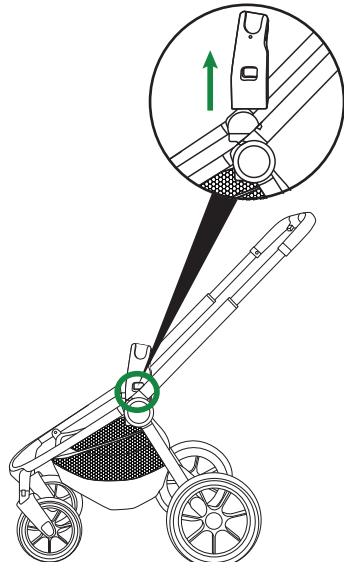
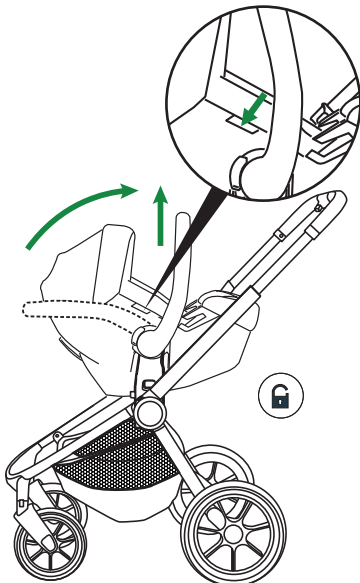
WARNING! Never attach the car seat forward facing.



4 To remove the car seat

Press the adjuster buttons on each side to move the handle to the upright position. Then press the buttons located on the sides of the car seat and pull upwards to remove.

Lift the levers on the outside of the adaptors to remove them from the chassis.



Pushchair warnings

IMPORTANT, RETAIN FOR FUTURE REFERENCE: READ CAREFULLY

Please read these instructions carefully before use and keep them for later reference.

Remove all packaging and non-permanent labels and dispose of safely before using this product. The safety of your child could be put at risk if you do not follow these instructions.

This stroller is designed for 1 child from 0 months up to a weight of 22 kg/36 months.

WARNING: Never leave your child unattended.

WARNING: Uneven or excessive loading of items on or in the stroller may cause the product to tip and may cause injury.

WARNING: Maximum intended weight within the shopping basket is 3kg.

WARNING: Ensure that all the locking devices are engaged before use.

WARNING: To avoid injury ensure that your child is kept away when unfolding and folding this stroller.

WARNING: Do not let your child play with this stroller.

WARNING: Always use the restraint system.

WARNING: Check that the pram body or seat attachment devices are correctly engaged before use.

WARNING: Do not put hot drinks or liquids in the cup holder.

WARNING: This product is not suitable for running or skating.

WARNING: Do not insert any additional mattresses into the stroller.

WARNING: Accessories which are not approved by the manufacturer shall not be used.

WARNING: This pushchair has been designed for one child and shall be used for the transport for only one child!

WARNING: Always use the crotch strap in combination with the waist belt.

WARNING: This stroller does not replace a cot or a bed. Should your child need to sleep, then it should be placed in a suitable cot or bed.

WARNING: Only replacement parts supplied or recommended by My Babiie shall be used.

WARNING: Any load attached to the handle and on the back of the backrest and on the sides of the stroller will affect the stability of the stroller.

WARNING: The parking device shall be engaged when placing and removing the children.

WARNING: The carrycot should not be used as soon as the child is able to sit by themselves, roll over or can push itself up on its hands and knees. Maximum weight of the child: 9kg

EN 1888-1 & 2: 2018+A1: 2022 approved

EN 1466:2023 approved

Carrycot warnings

- The product is only suitable for one (1) child.
- The product shall not be used as soon as the child is able to sit by himself, roll over and can push itself up on its hands and knees.
- Maximum weight of the child: 9kg.
- Do not add additional mattress.
- This product is compatible with the chassis of the stroller.
- Only use on a firm, horizontal level and dry surface.
- Do not let other children play unattended near the carry cot.
- Do not use if any part of the carry cot is broken, torn or missing.
- Do not leave flexible carrying handles inside the carry cot
- Never leave your child unattended.
- Only use original replacement parts. It may be unsafe to use substitutes.
- Be aware of the risks presented by an open fire and other heat sources such as electrical heaters, gas flames etc. especially if they are in the immediate vicinity of the carry cot.
- Only use the mattress supplied with the carry cot. Please check on a regular basis the carrying handle and the base including all feet for wear and damage of any kind.
- Never use the carry cot on a stand.
- Ensure that your child's head is never at a lower level than it's body when placed inside the carry cot.
- All carrying handles shall be left out of the pram body during use.

EN 1466:2023

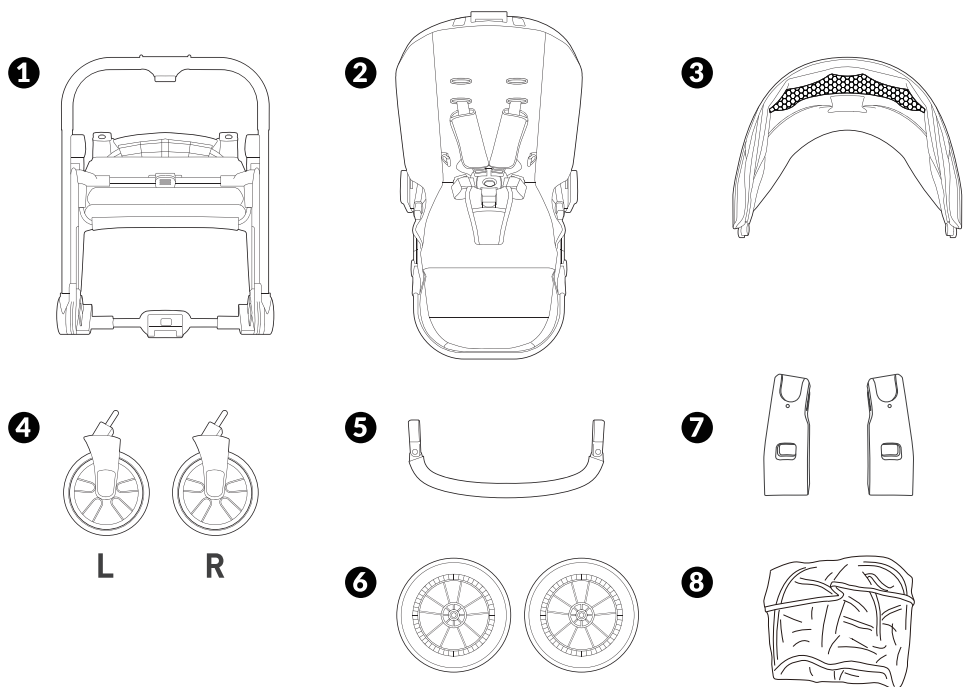
Care and maintenance

- Please check on a regular basis that the brakes, wheels, latches, connecting elements, belt systems and seams are properly functional.
- Do not expose the stroller to strong sunshine.
- Sponge clean only.
- After use in rain or snow, the wheels should be lubricated and the stroller dried to prevent rust.
- Care for, clean and check this stroller regularly.
- Do not use accessories that have not been approved by the manufacturer.

Your child's safety is your responsibility

If you have a problem with this product or require replacement parts, please visit www.mybabiie.com/support

Register your product at: www.mybabiie.com/warranties



1. Marco

2. Asiento principal

3. dosel

4. Ruedas giratorias delanteras

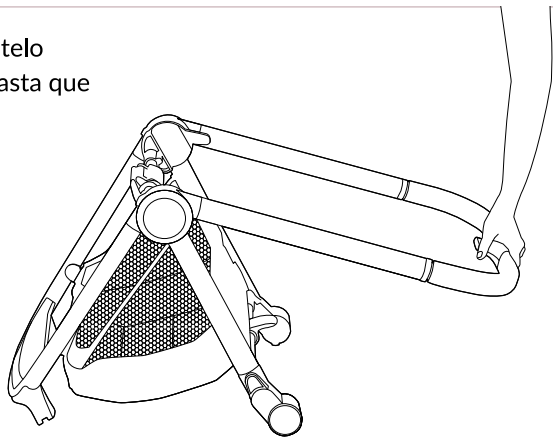
5. Barra de seguridad

6. Ruedas traseras

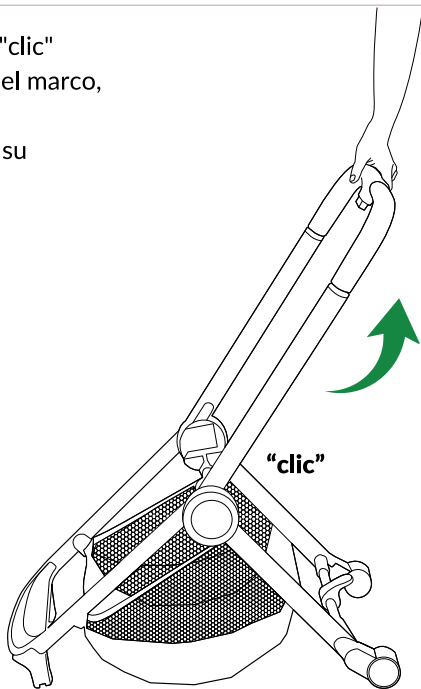
7. Adaptador de asiento de coche

8. Protector de lluvia

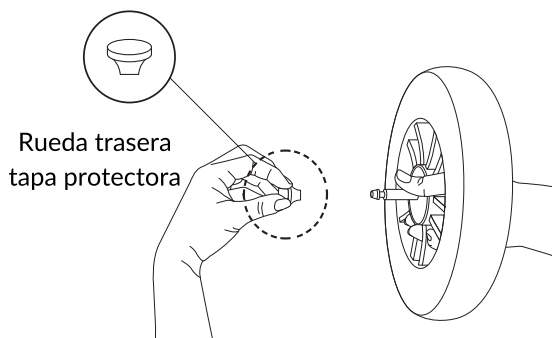
- 1 Sostenga el mango y levántelo suavemente hacia arriba hasta que encaje en su posición.



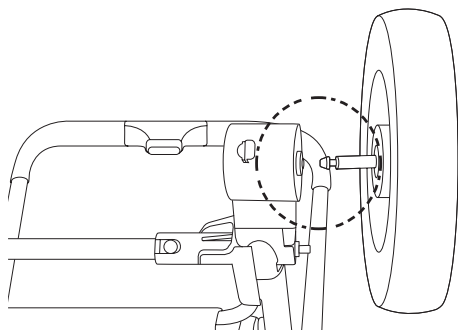
- 2 Después de escuchar un "clic" audible en ambos lados del marco, verifique si la manija está completamente fijada en su posición.



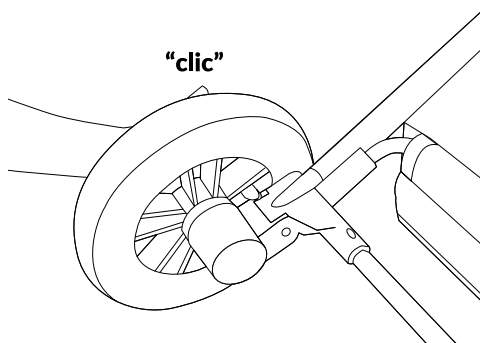
- 1 Retire las tapas protectoras. en las piezas de conexión de ambas ruedas traseras.



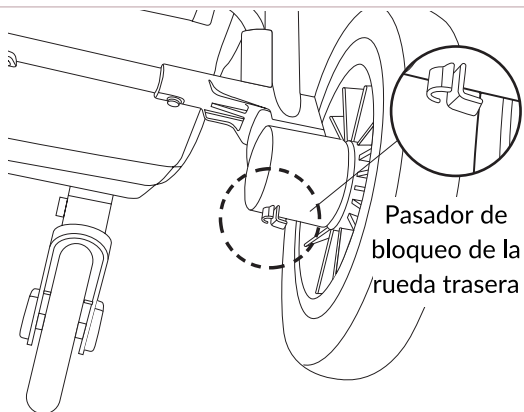
- 2 Tome una unidad de rueda trasera y inserte su pieza de conexión en la caja de la rueda trasera hasta que encaje en su posición.



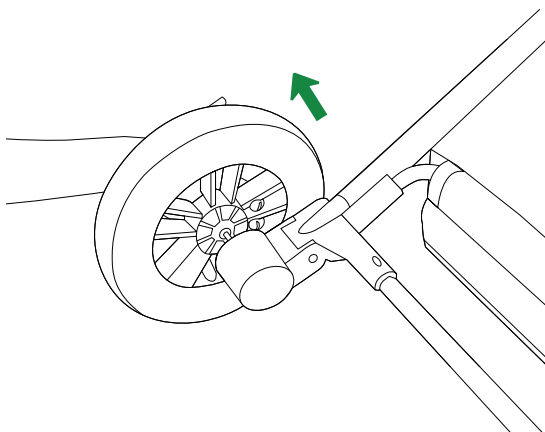
- 3 Instale la otra rueda en el otro lado con la mismo método.



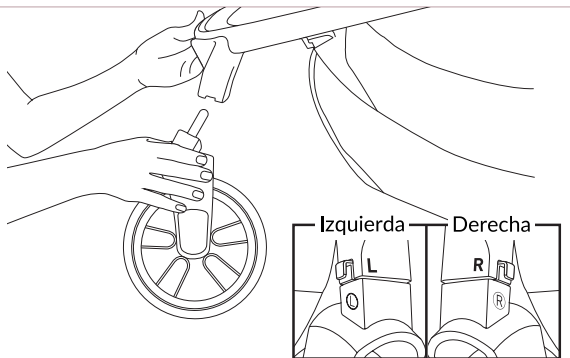
- 1** Tire y sostenga el pasador de bloqueo en la superficie inferior de la pieza de conexión para la rueda trasera.



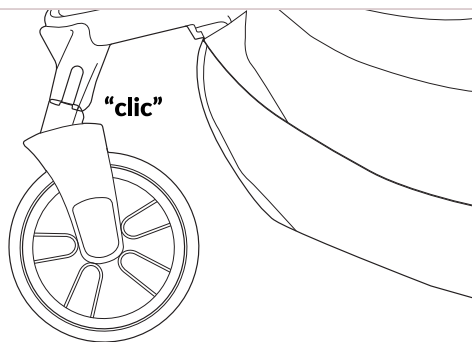
- 2** Retire la rueda trasera tirando de ella en la dirección de la flecha.



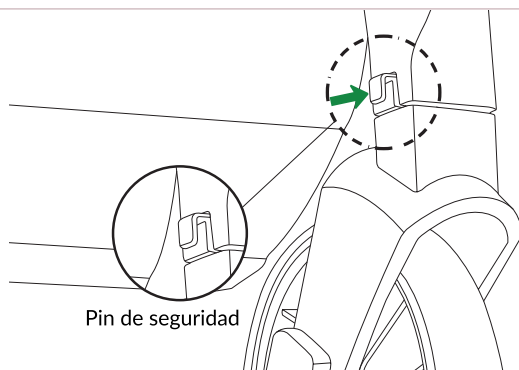
- 1 Verifique las marcas de dirección LR en el marco y las ruedas delanteras, luego tome una unidad de ruedas delanteras e inserte su pieza de conexión en el orificio de plástico hacia arriba hasta que encaje en su posición.



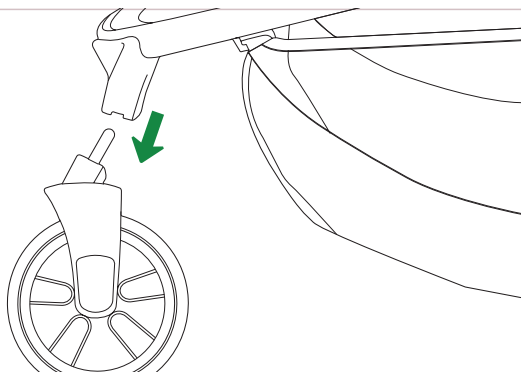
- 2 Instale el otro lado usando el mismo método.



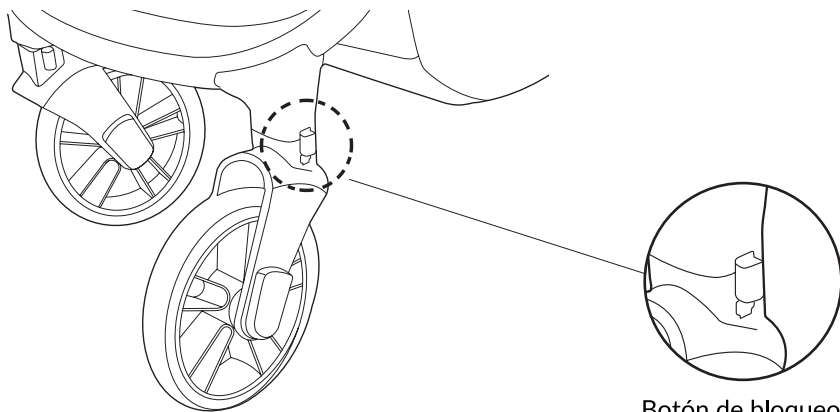
- 1** Empuje y sostenga el pasador de bloqueo hacia adentro en la dirección de la flecha.



- 2** Retire las ruedas delanteras tirando de ellas en la dirección de la flecha.

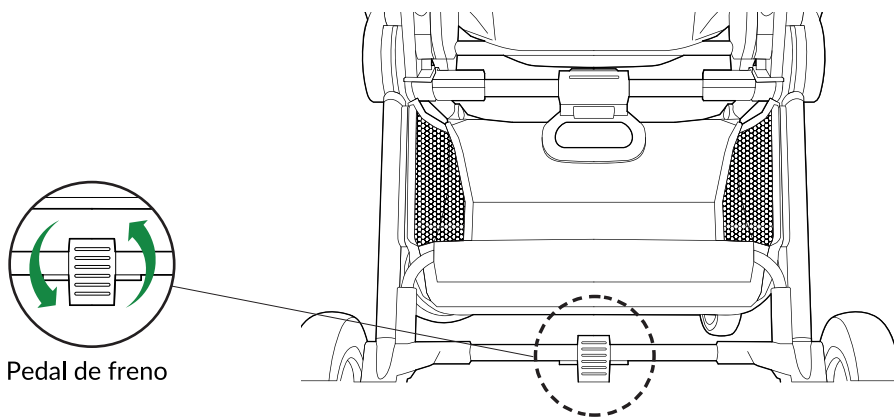


- 1** Levante los botones de bloqueo en las ruedas giratorias delanteras para bloquear la dirección de las ruedas; Bájelo para desbloquear las ruedas giratorias delanteras.



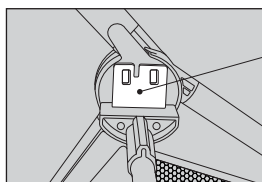
Botón de bloqueo

- 2** Presione el pedal del freno en el medio del eje trasero para accionar el freno; Levante el pedal para soltar el freno.



Pedal de freno

- 1 Empuje el asiento suavemente hacia abajo sobre el marco hasta que se escuche un sonido firme de "clic" (el asiento también se puede instalar en la dirección opuesta)

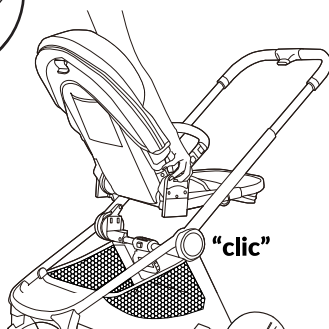
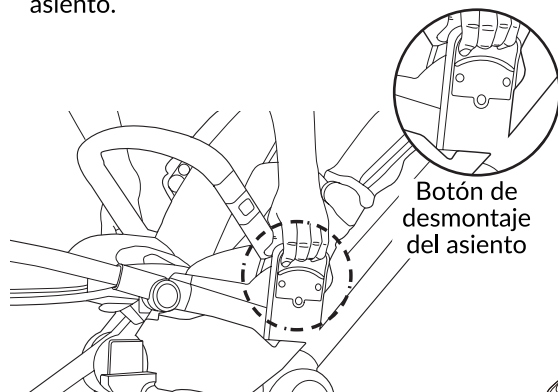


Conectores en el marco interior.

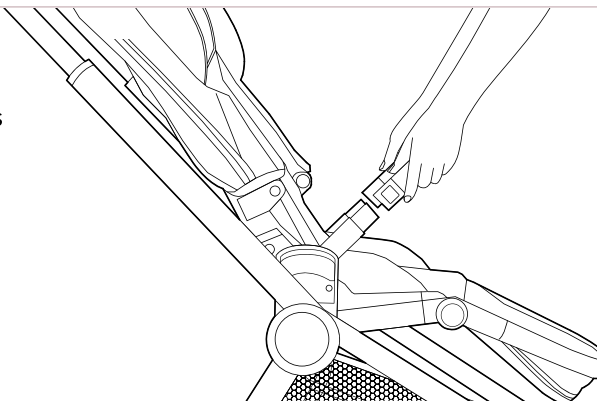
Cambiar la dirección del asiento

- 1 Tira de los botones de desprendimiento hacia arriba en ambos lados simultáneamente y levante el asiento.

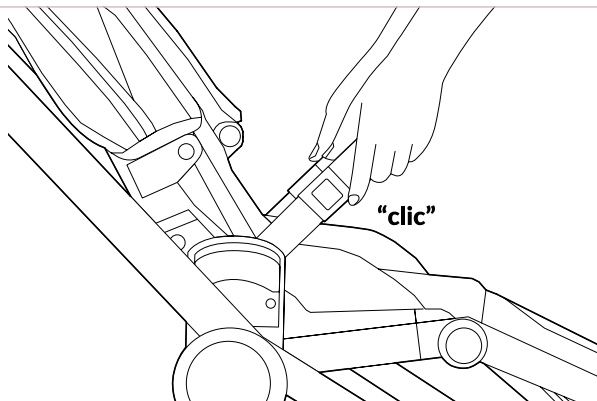
- 2 Cambie la dirección del asiento como se muestra en la imagen e instálelo en el marco.



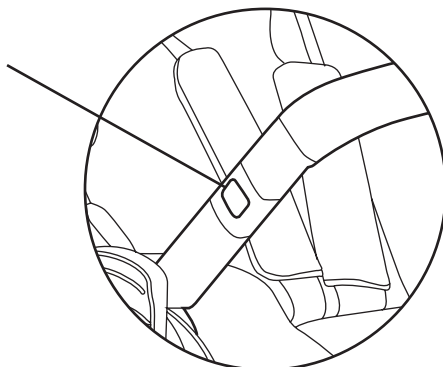
- 1** Instale la barra de seguridad en los conectores a ambos lados del asiento.



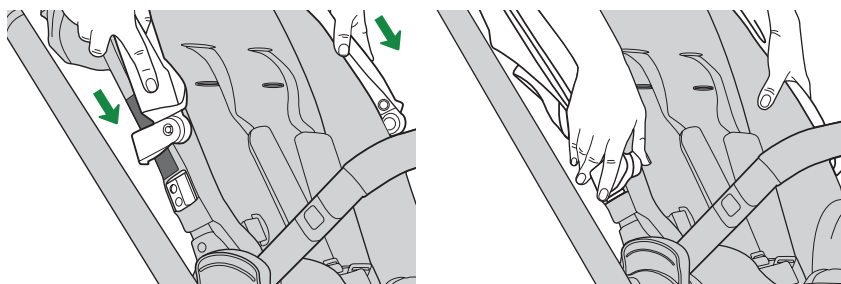
- 2** Insértalo bien con un "Clic" firme en cada lado.



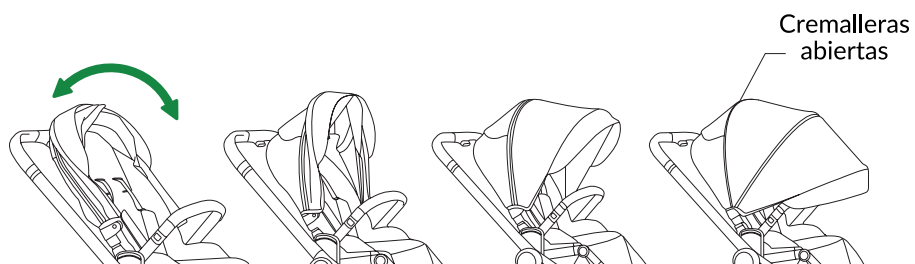
- 3** Presione este botón para separar la barra de seguridad.



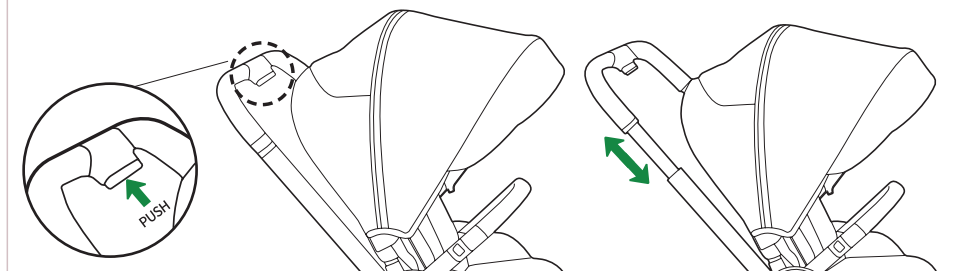
- 1** Con el asiento en posición orientada hacia el mundo, inserte la capota en ambos lados del asiento.



- 2** La capota se puede desplegar y plegar en la dirección de la flecha.

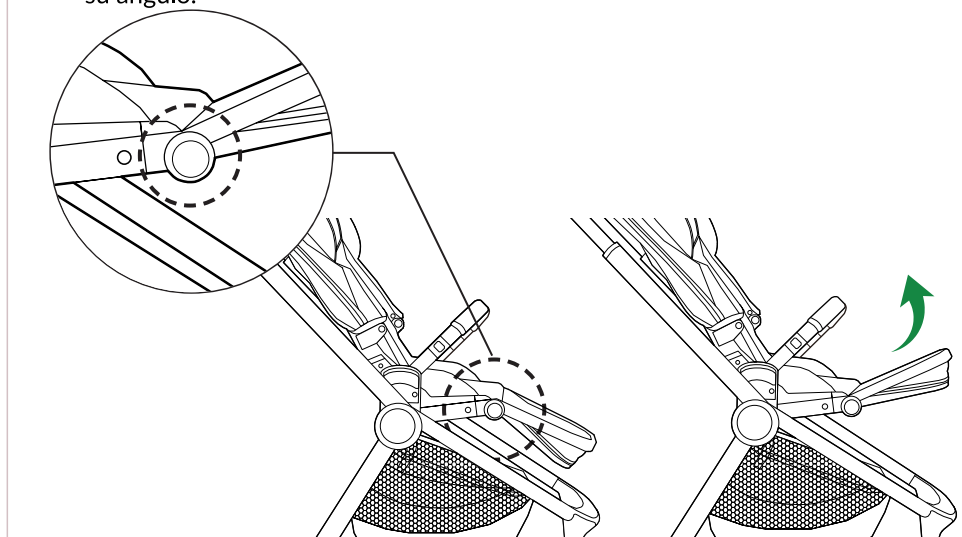


- 1 Presione y mantenga presionado el botón en la parte inferior del mango para ajustar la altura del mango.

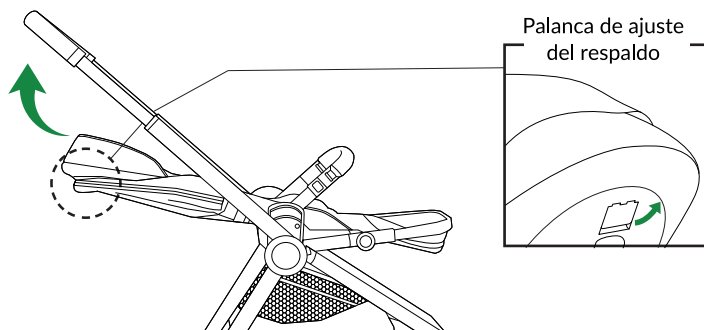


Ajuste del reposapiés

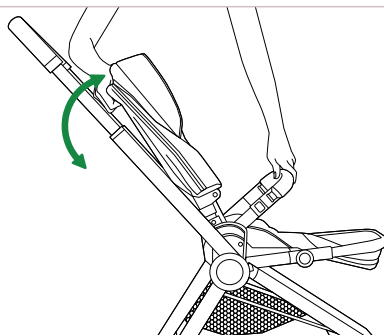
- 1 Mantenga presionados los botones a ambos lados del reposapiés para ajustar su ángulo.



- 1** Tire de la palanca en la parte superior trasera del respaldo.

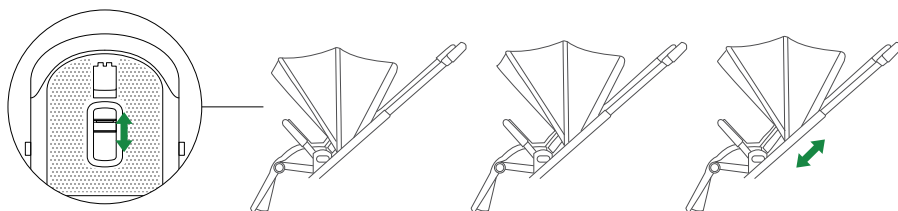


- 2** Ajústelo a la posición reclinada deseada y suelte la palanca para bloquear el asiento en su posición.



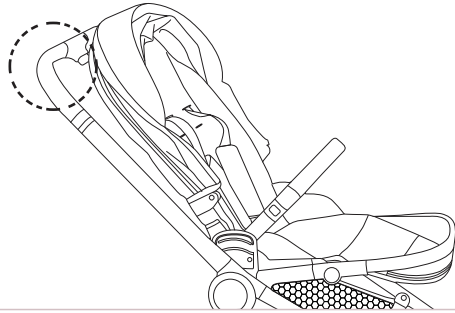
Ajuste de altura del dosel

- 1** La altura del dosel se puede ajustar en 3 posiciones. Presione el botón en la parte posterior de la unidad del asiento para subir o bajar la posición del dosel.

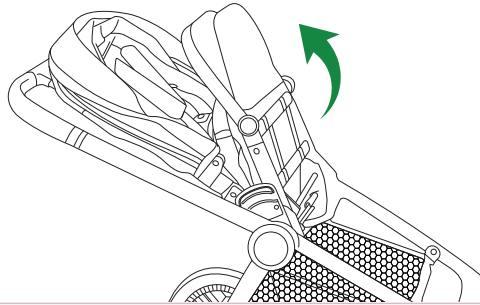


NOTA: La capota debe colocarse en la posición más baja antes de plegar el cochecito, de lo contrario tocará el suelo cuando el cochecito esté parado en el suelo.

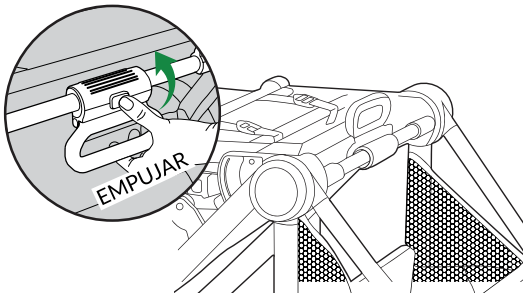
- 1** Baje la manija a su posición más baja.



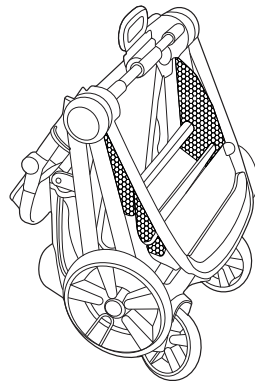
- 2** Doble el reposapiés hacia arriba como se

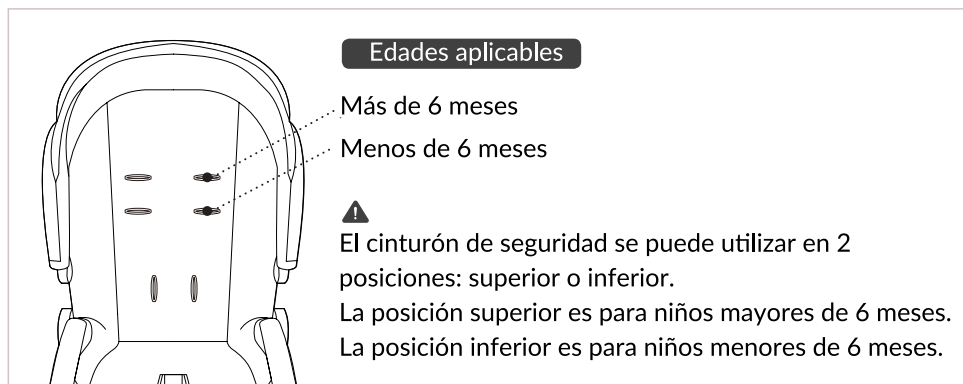


- 3** Mantenga presionado el botón en la manija plegable en la parte inferior del asiento, gire la manija hacia arriba y levántela.

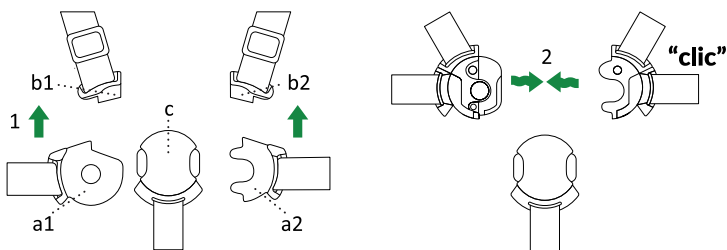


- 4** El pliegue completo.

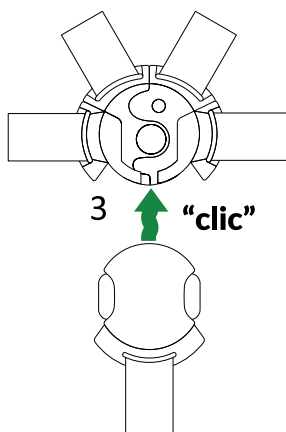




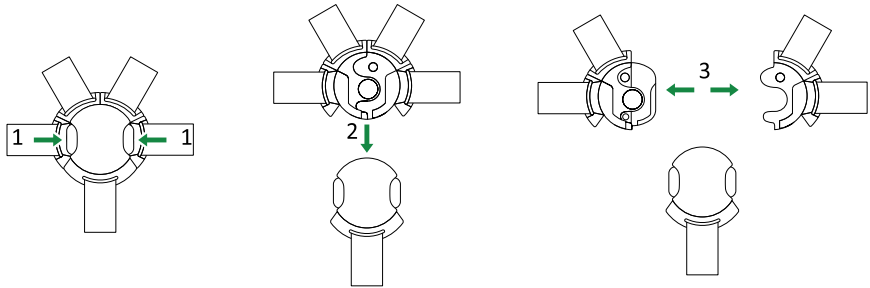
- 1** Inserte la parte b1 en la parte a1, inserte la parte b2 en la parte a2, un “clic” indicará que están acoplados correctamente.



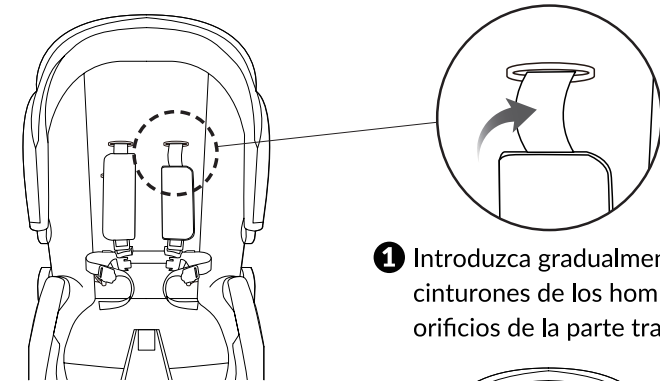
- 2** Coloque la parte a2 encima de la parte a1, coloque el componente de hebilla “c”, como se muestra en la imagen de arriba encima de las partes combinadas a1+a2. Un clic indicará que están conectados correctamente.



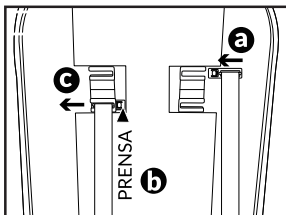
- 3** Para soltar la hebilla, presione los botones a cada lado.



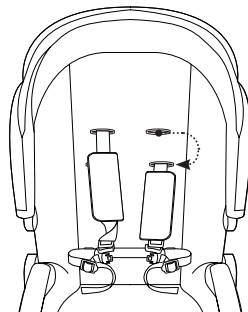
- 4** **Desprendimiento del cinturón de hombro** (cambiar la ubicación de los cinturones de hombro)



- 1** Introduzca gradualmente los cinturones de los hombros en los orificios de la parte trasera del asiento.



- 2** Deslice la hebilla hacia adentro para colocarla (a). Para quitar la hebilla, presione y mantenga presionado el botón (b) y luego deslice la hebilla hacia afuera (c).

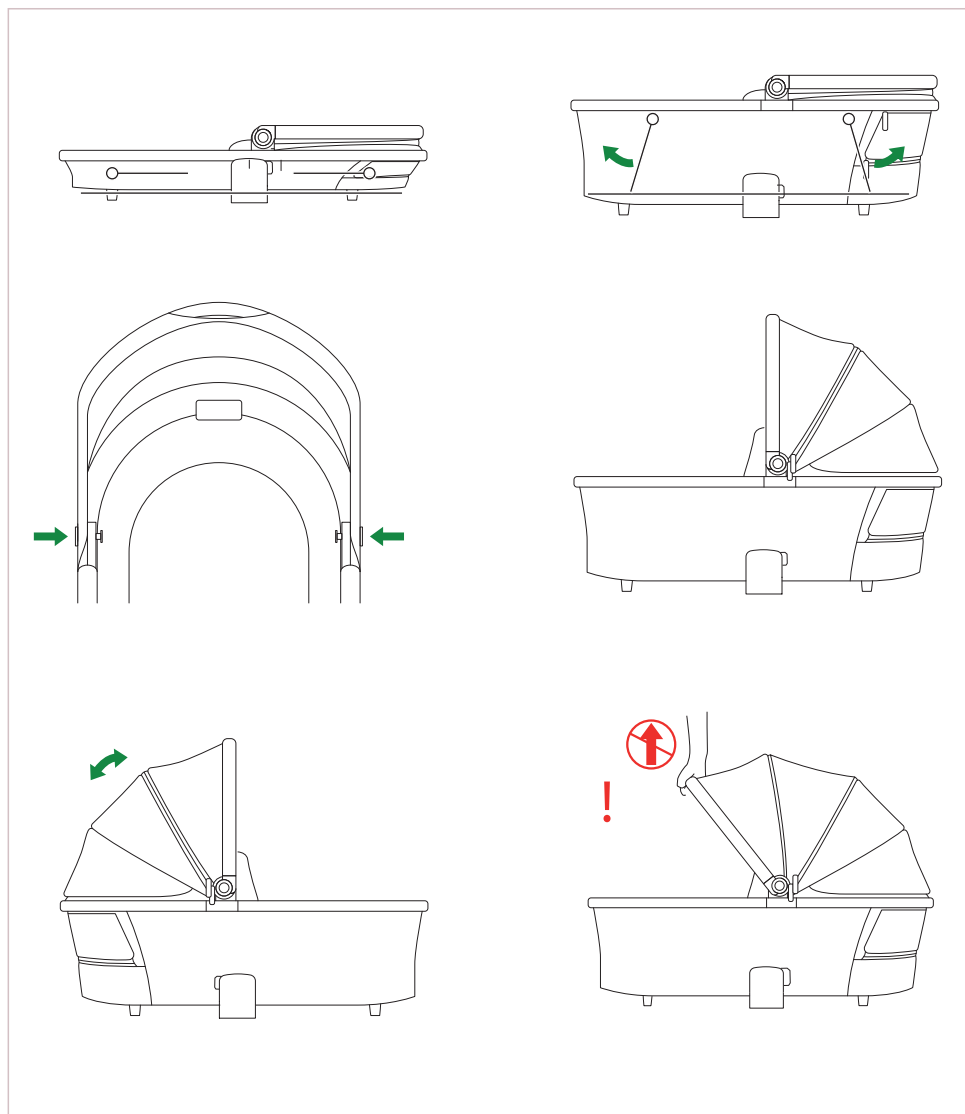


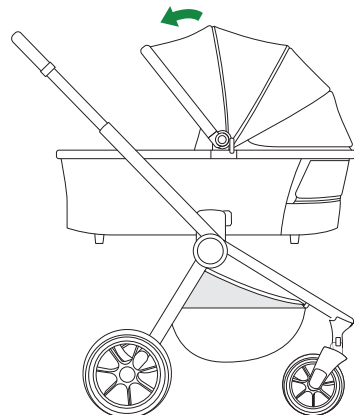
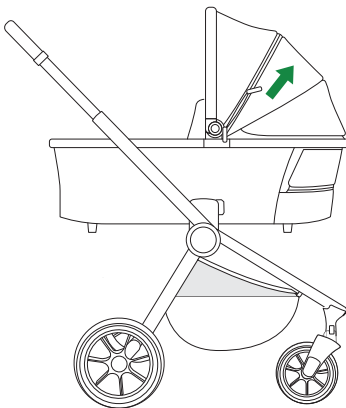
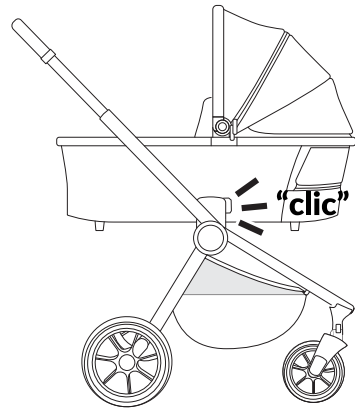
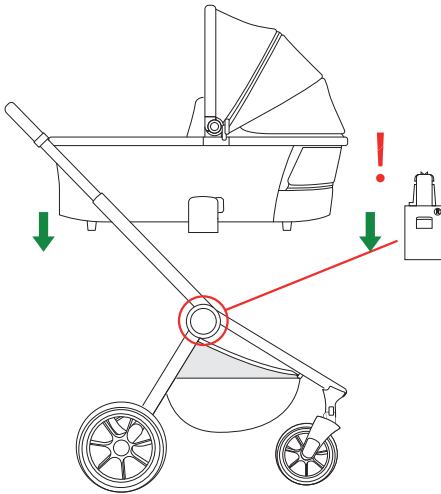
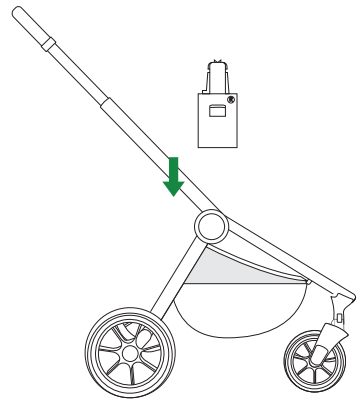
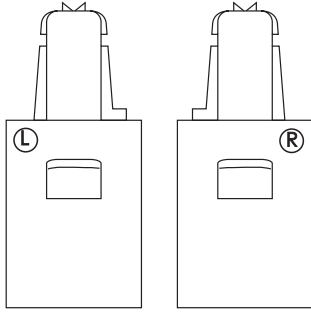
- 3** Cambie la ubicación de los cinturones de hombro e insértelos hacia atrás.

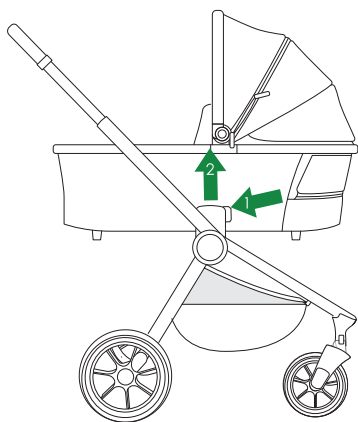
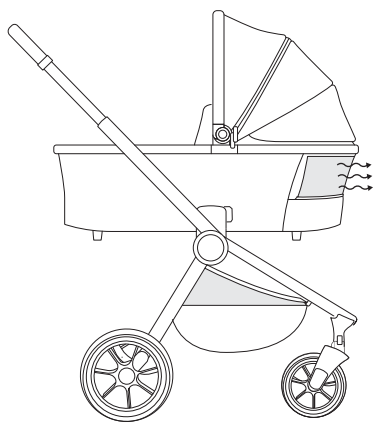
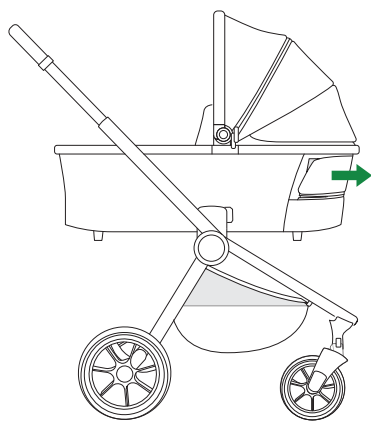
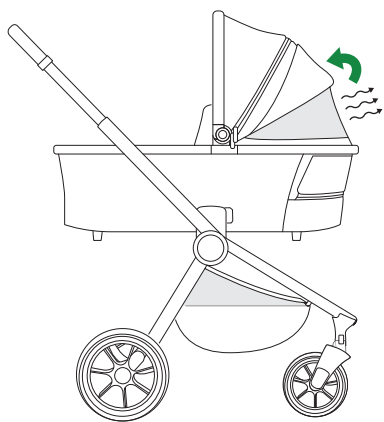
Montaje del capazo

ES

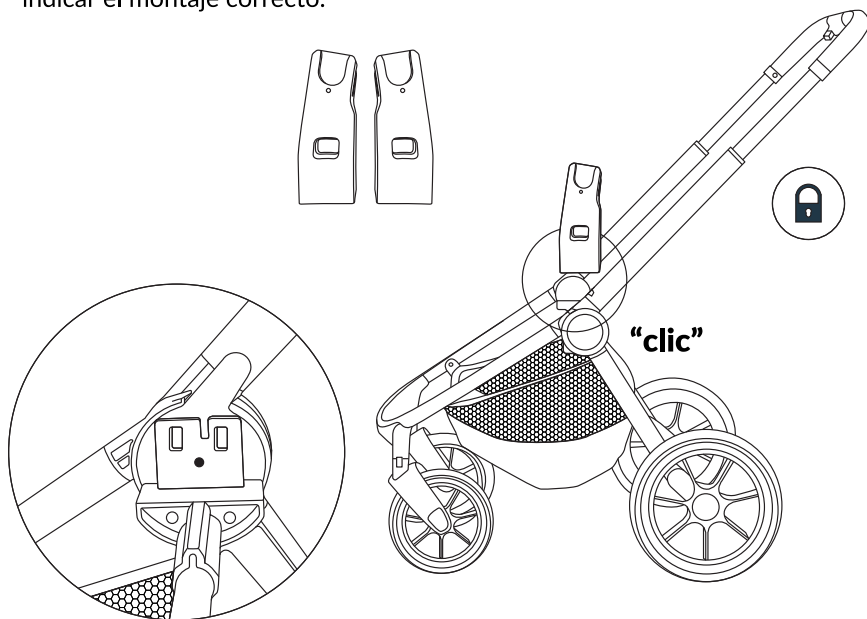
! El producto puede usarse **SÓLO** para bebés que no pueden sentarse o pararse sin ayuda (Menores de 6 meses aproximadamente. Nunca use los productos para bebés que puedan levantarse con las manos o las rodillas) **NO** debe usar el producto cuando el bebé pueda sentarse sin ayuda. El tiempo recomendado para uso continuo es 1 hora.





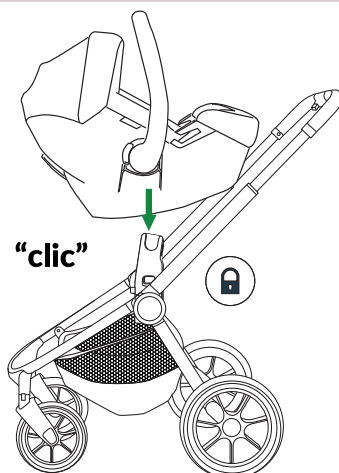


- 1** Retire la unidad del asiento del chasis y luego conecte los adaptadores del asiento para el automóvil al marco. Escuche un "clic" de cada uno para indicar el montaje correcto.



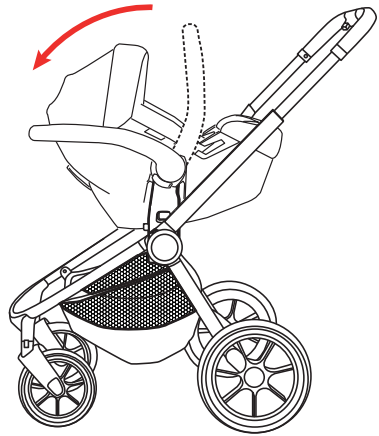
- 2** Empuje hacia abajo el asiento del automóvil sobre los adaptadores. El asiento para el automóvil encajará en su lugar con un clic. Levántelo por el asa para asegurarse de que esté firmemente asegurado.

Alternativamente, puede conectar primero los adaptadores al asiento para el automóvil y luego fijar el asiento para el automóvil al chasis.



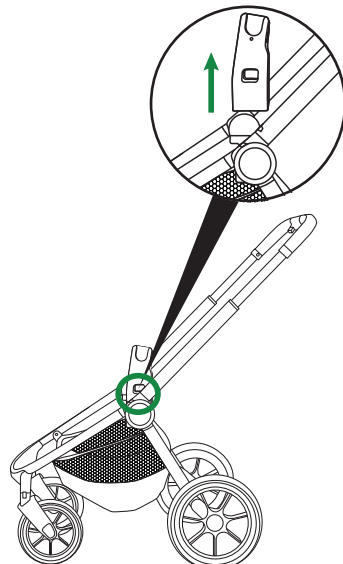
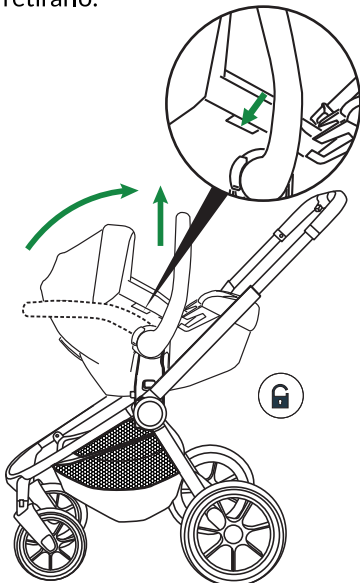
- 3** Presione los botones de ajuste a cada lado del extremo del mango para ajustar la posición del mango.

¡ADVERTENCIA! Nunca fije la silla de auto mirando hacia adelante.



- 4** **Para quitar el asiento del coche**
Presione los botones de ajuste a cada lado para mover el mango a la posición vertical. Luego presione los botones ubicados a los lados del asiento para el automóvil y tire hacia arriba para retirarlo.

Levante las palancas en el exterior de los adaptadores para retirarlos del chasis.



IMPORTANTE, CONSERVAR PARA FUTURA CONSULTA: LEA DETENIDAMENTE

Lea atentamente estas instrucciones antes de usarlas y consérvelas para consultarlas en el futuro.

Retire todos los embalajes y etiquetas no permanentes y deséchelos de forma segura antes de usar este producto. La seguridad de su hijo podría correr riesgo si no sigue estas instrucciones.

Este cochecito está diseñado para 1 niño desde 0 meses hasta un peso de 22 kg/36 meses.

ADVERTENCIA: Nunca deje a su hijo desatendido.

ADVERTENCIA: La carga desigual o excesiva de artículos sobre o dentro del cochecito puede hacer que el producto se incline y cause lesiones.

ADVERTENCIA: El peso máximo previsto dentro de la cesta de la compra es de 3 kg.

ADVERTENCIA: Asegúrese de que todos los dispositivos de bloqueo estén activados antes de su uso.

ADVERTENCIA: Para evitar lesiones, asegúrese de mantener alejado a su hijo cuando despliegue y pliegue este cochecito.

ADVERTENCIA: No deje que su niño juegue con este cochecito.

ADVERTENCIA: Utilice siempre el sistema de retención.

ADVERTENCIA: Compruebe que el cuerpo del cochecito o los dispositivos de fijación del asiento estén correctamente enganchados antes de su uso.

ADVERTENCIA: No coloque bebidas ni líquidos calientes en el portavasos.

ADVERTENCIA: Este producto no es apto para correr o patinar.

ADVERTENCIA: No inserte ningún colchón adicional en el cochecito.

ADVERTENCIA: No se deben utilizar accesorios que no estén aprobados por el fabricante.

ADVERTENCIA: ¡Este cochecito ha sido diseñado para un niño y se utilizará para el transporte de un solo niño!

ADVERTENCIA: Utilice siempre la correa de la entrepierna en combinación con el cinturón.

ADVERTENCIA: Este cochecito no sustituye a una cuna ni a una cama. Si su hijo necesita dormir, deberá colocarlo en una cuna o cama adecuada.

ADVERTENCIA: Sólo se utilizarán piezas de repuesto suministradas o recomendadas por My Babiie.

ADVERTENCIA: Cualquier carga sujeta al asa y en la parte posterior del respaldo y en los lados del cochecito afectará la estabilidad del cochecito.

ADVERTENCIA: El dispositivo de estacionamiento deberá estar activado al colocar y retirar a los niños.

ADVERTENCIA: El capazo no debe utilizarse tan pronto como el niño sea capaz de sentarse solo, darse la vuelta o levantarse sobre sus manos y rodillas. Peso máximo del niño: 9kg

EN 1888-1 & 2: 2018+A1: 2022 Aprobado

EN 1466:2023 Aprobado

- El producto sólo es apto para un (1) niño.
- El producto no se debe utilizar tan pronto como el niño sea capaz de sentarse solo, darse la vuelta y poder levantarse sobre sus manos y rodillas.
- Peso máximo del niño: 9kg.
- No agregue colchón adicional.
- Este producto es compatible con el chasis de la silla de paseo.
- Úselo únicamente sobre una superficie firme, nivelada horizontal y seca.
- No deje que otros niños jueguen solos cerca del capazo.
- No lo utilice si alguna pieza del capazo está rota, rasgada o falta.
- No deje asas de transporte flexibles dentro del capazo.
- Nunca deje a su hijo desatendido.
- Utilice únicamente piezas de repuesto originales. Puede que no sea seguro utilizar sustitutos.
- Sea consciente de los riesgos que presentan un fuego abierto y otras fuentes de calor como calentadores eléctricos, llamas de gas, etc., especialmente si se encuentran en las inmediaciones del capazo.
- Utilice únicamente el colchón suministrado con el capazo. Compruebe periódicamente el asa de transporte y la base, incluidas todas las patas, para detectar desgaste o daños de cualquier tipo.
- Nunca utilice el capazo sobre un soporte.
- Asegúrese de que la cabeza de su hijo nunca esté a un nivel más bajo que su cuerpo cuando se coloque dentro del cuna portátil.
- Todas las asas de transporte deberán dejarse fuera del cuerpo del cochecito durante su uso.

EN 1466:2023

- Compruebe periódicamente que los frenos, ruedas, pestillos, elementos de conexión, correas
Los sistemas y las costuras funcionan correctamente.
- No esponga el cochecito a la luz solar intensa.
- Limpiar únicamente con esponja.
- Después de usarlo bajo la lluvia o la nieve, se deben lubricar las ruedas y secar el cochecito para evitar óxido.
- Cuide, limpie y revise este cochecito con regularidad.
- No utilice accesorios que no hayan sido aprobados por el fabricante.

La seguridad de tu hijo es tu responsabilidad.

Si tiene algún problema con este producto o necesita piezas de repuesto, visite www.mybabiie.com/support

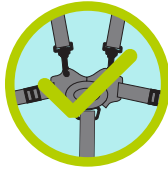
Registre su producto en: www.mybabiie.com/warranties

Pushchair Do's & Don'ts



Do use your brakes!

Ensure the parking brake is engaged during the loading and unloading of children & when the pushchair is stationary.



Do always use the restraint system!

Ensure that the child restraint system is correctly fitted at all times.



Do keep your pushchair clean and dirt free.

Use a clean white cloth, warm water and a mild detergent to keep your pushchair clean.



Do always keep two hands on the handles when pushing.

You could lose control of your pushchair if not steering with both hands.



Do follow manufacturers instructions when assembling and using your pushchair.

For safety, please refer to our instruction manuals or contact customer support if you're unsure.



Don't use your pushchair up and down stairs!

Don't use your pushchair up or down stairs or to bump kerbs.



Don't hang bags off the handles!

Bags and other items should not be hung from the handles as this can affect the stability of the pushchair.



Don't run or skate with your pushchair!

Our products are not suitable for running or skating.



Don't carry the stroller with baby inside!

Our pushchairs are not designed to be carried with your baby inside them.



Don't put hot drinks in the cup holder.

Hot drinks burn and can easily spill from the bottle holder.



Don't jetwash your pushchair.

Some jet washers are very powerful and could damage parts of your pushchair!



Don't leave your child un-attended in their pushchair.

Always keep your child and pushchair in view to avoid accidents.



Don't treat your pushchair like a trolley.

Don't load your pushchair up with all your shopping as they are not built for this purpose and could cause damage.



Don't use your pushchair as a bumper cart!

Damage can easily occur if your pushchair is knocked into other things.



Don't smoke around your pushchair.

We wouldn't want your pushchair or little one getting hurt or damaged!



Don't leave your pushchair unattended on extreme gradients.

Even with your brakes on your pushchair is at risk from tipping or sliding on extreme gradients!



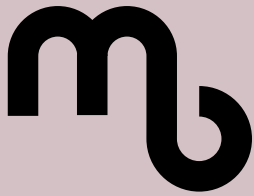
Don't sit in the pushchair unless the user is under the guideline weight.

Our pushchairs are designed to hold a maximum weight. If exceeded this will cause damage!



Do enjoy your My Babie product!

Go out and have fun adventures with your little one!



Register your product

www.mybabiie.com/warranties

In the first instance of needing assistance please contact your original place of purchase.

This product qualifies for 12 month warranty when registered through our website

mybabiie.com



My Babiie



@MyBabiieOfficial



My Babiie



@mybabiie_official



@MyBabiie

My Babiie Ltd, Paddock Wood, Kent, TN12 6EN

My Babiie EU , Generaal Vetterstraat 76A, 1059 BW Amsterdam, The Netherlands