



BACK EXTENSION BENCH

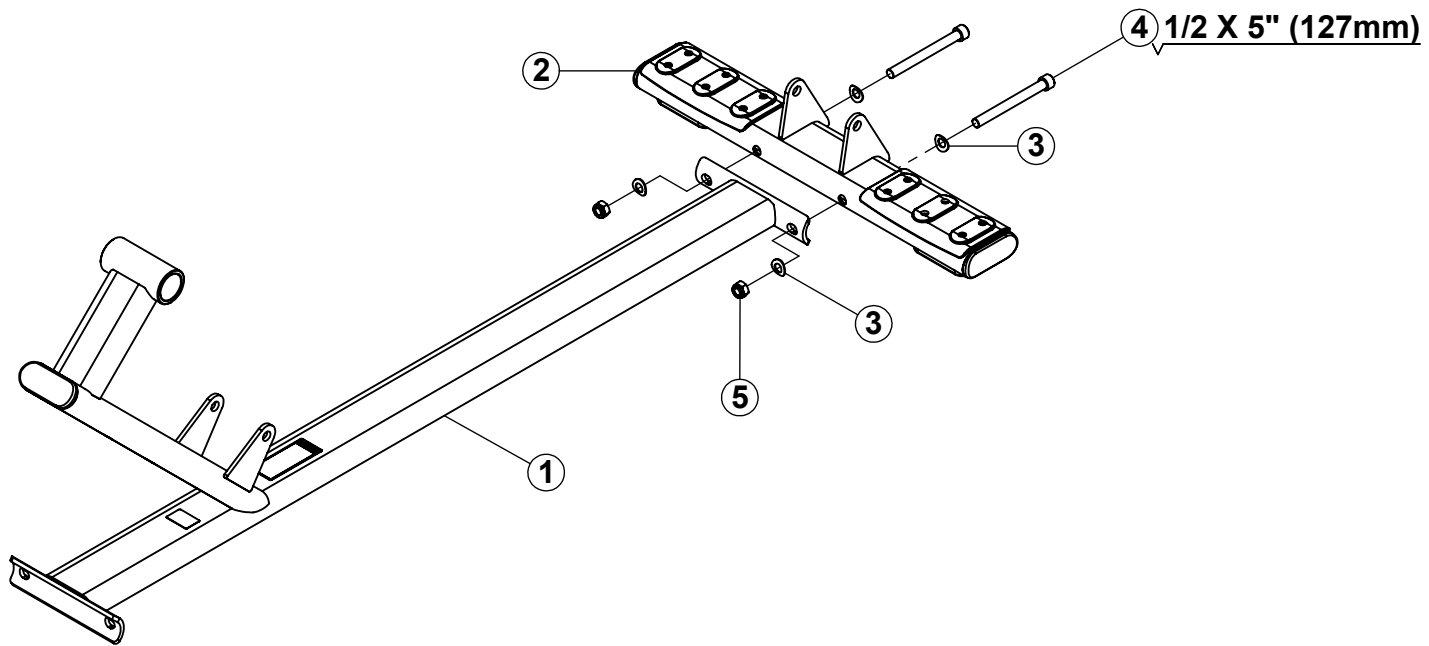
Assembly Guide

VERSION: XBEB-101

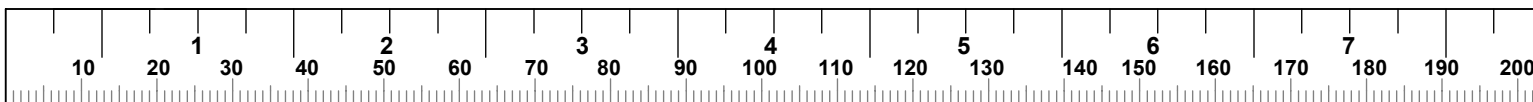
PART #: 5547601-A

ITEM	QTY	PART NO	DESCRIPTION	ITEM	QTY	PART NO	DESCRIPTION
1	1	55262PA	PTD ASSY, BEB BASE	11	1	2005818	BOLT, 1/2-13 X 4-3/4" (121mm) SOCKET HEAD
2	1	55484PA	PTD ASSY, BEB FRONT LEG	12	1	55289PA	PTD ASSY, BEB SLIDE ADJUST
3	8	2003001	WASHER, 1/2" SAE CURVED	13	2	2005821	BOLT, 1/2-13 X 5-1/2" (140mm) SOCKET HEAD
4	4	2005819	BOLT, 1/2-13 X 5" (127mm) SOCKET HEAD	14	1	5529101	WLDMT, BEB ROLLER PAD SUPPORT
5	7	2001401	NUT, 1/2-13 LK ST ZN	15	2	5508601	PAD, ROLLER
6	1	55268PA	PTD ASSY, BEB REAR LEG	16	2	5508701	CAP, ROLLER PAD END
7	1	55271PA	PTD ASSY, FOOT PLATE	17	2	2008503	BOLT, 3/8-16 X 1" (25mm) FLAT HEAD W/NP
8	8	2001301	WASHER, FLAT 1/2 SAE ST ZN	18	2	5316001	PAD, 8 X 14 WRAPPED
9	2	2006805	BOLT, 1/2-13 X 1-1/2" (38mm) SOCKET HEAD W/NP	19	4	2001101	WASHER, FLAT 3/8 SAE ST ZN
10	1	5527501	ASSY, BEB FRAME	20	4	2009405	BOLT, 3/8-16 X 1-1/2" (38mm) ST HT SOCKET HEAD W/NP

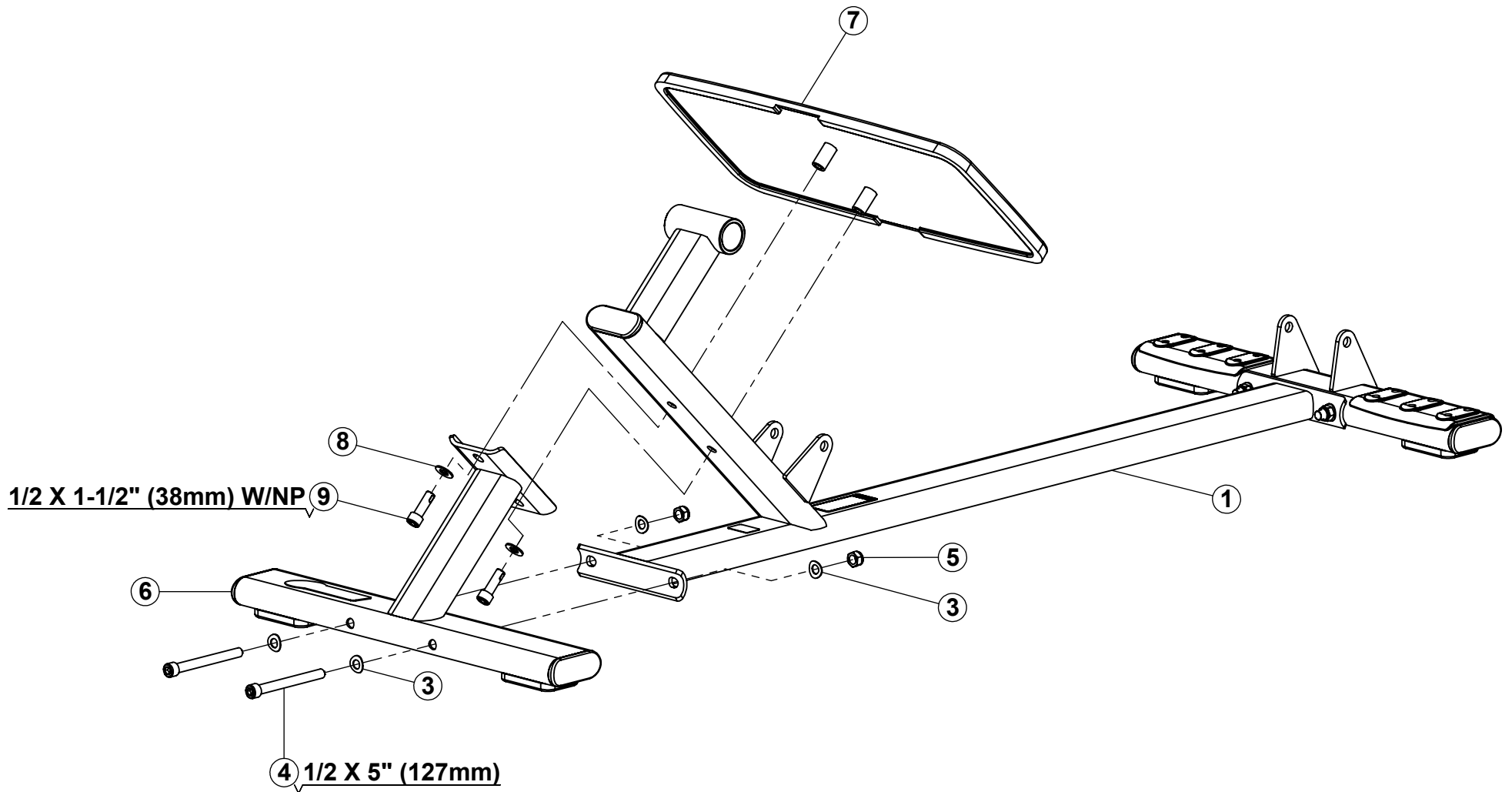
STEP 1



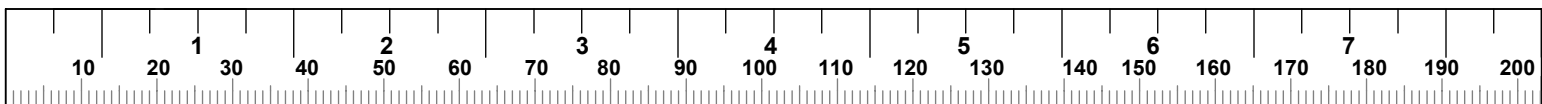
SECURELY tighten all bolt connections.



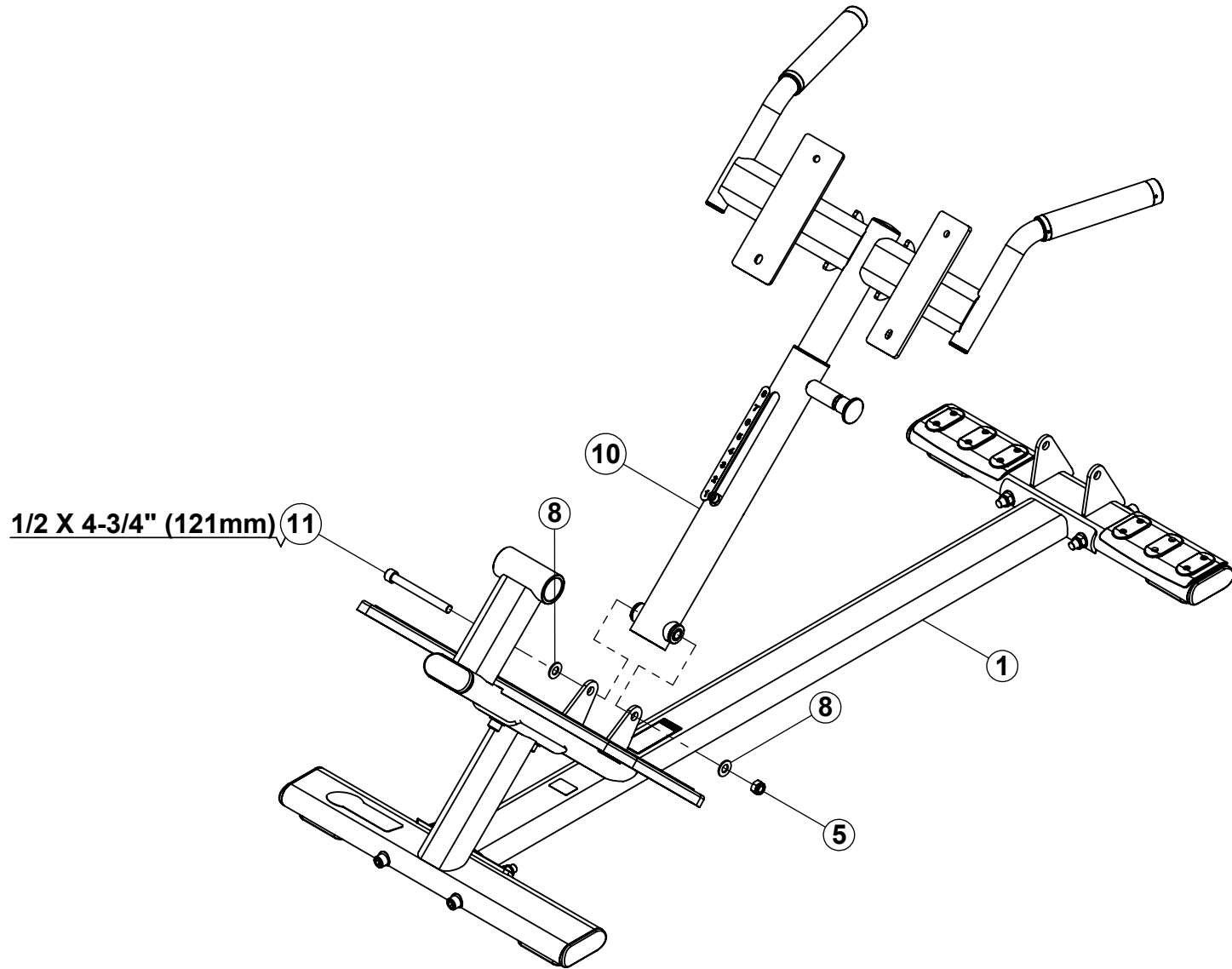
STEP 2



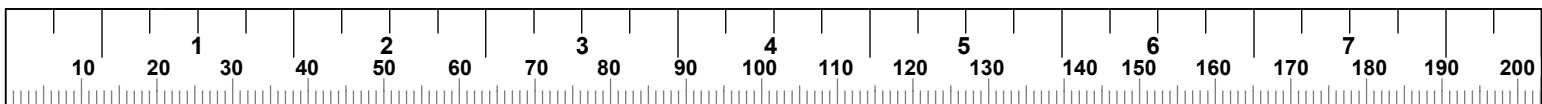
SECURELY tighten all bolt connections.



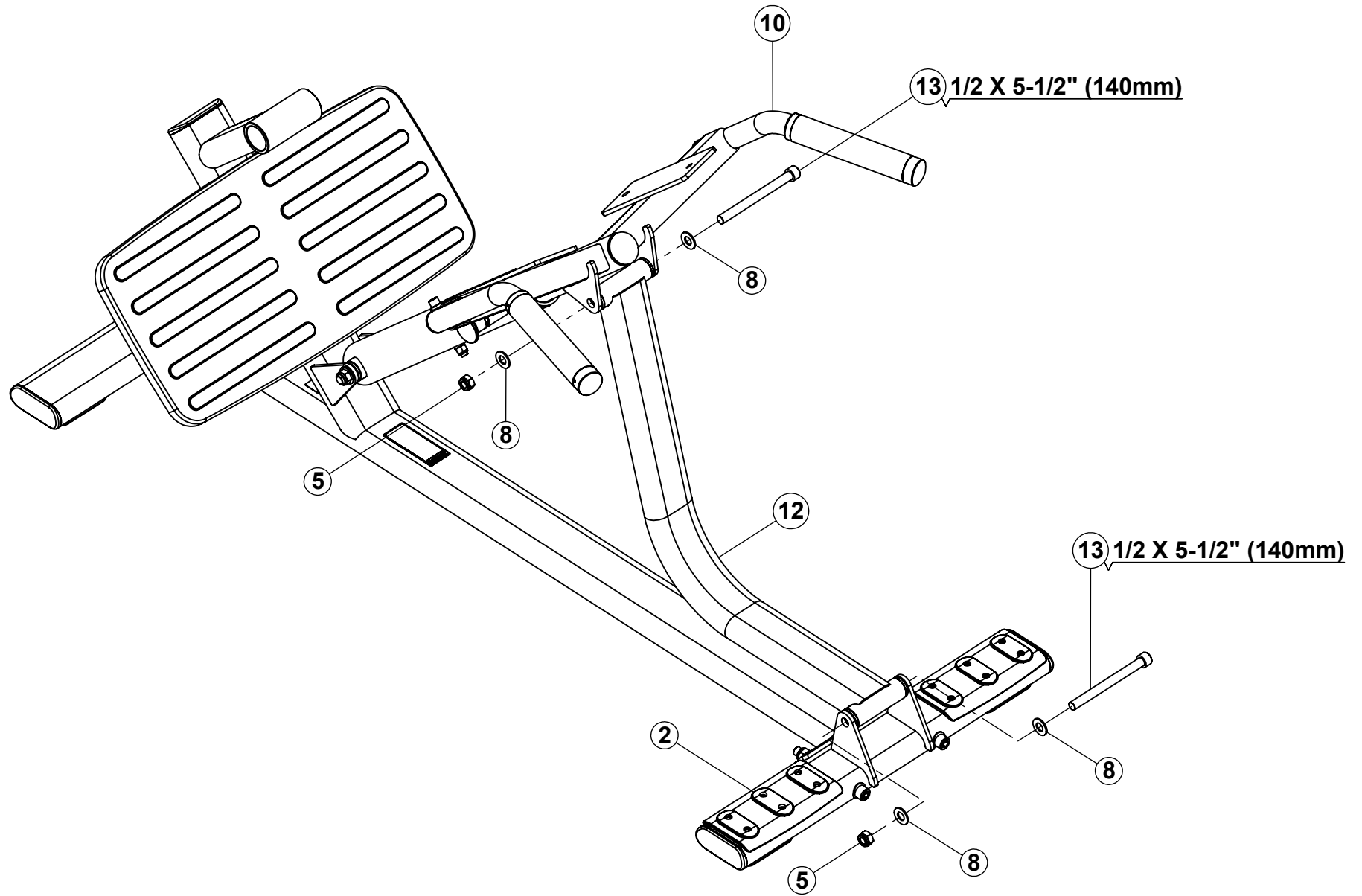
STEP 3



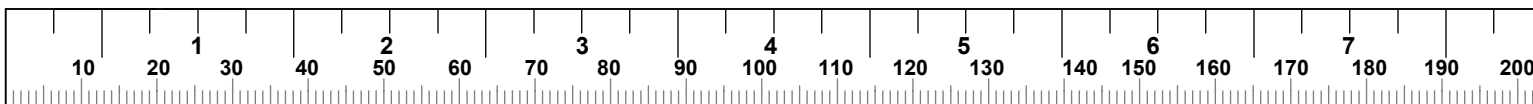
SECURELY tighten all bolt connections.



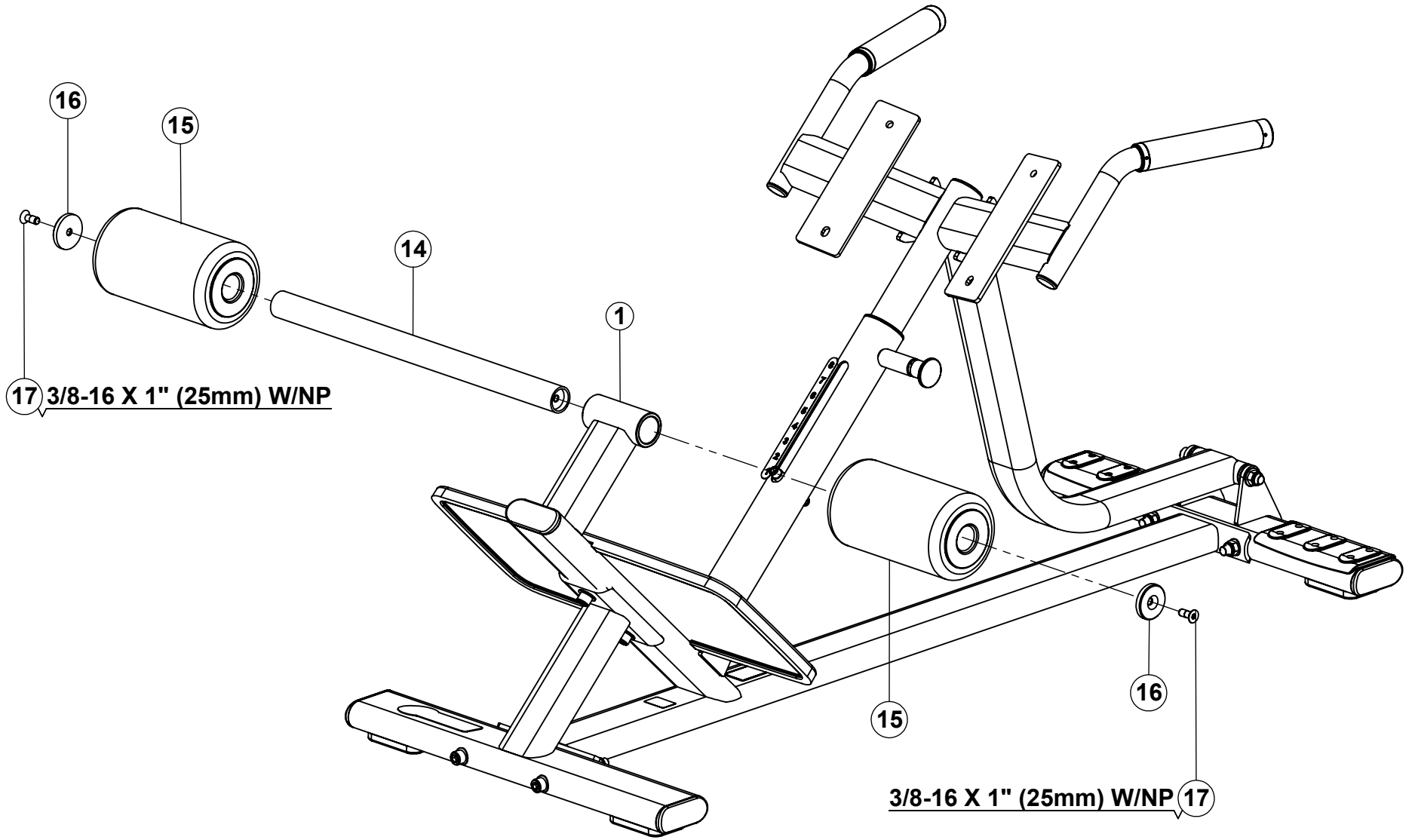
STEP 4



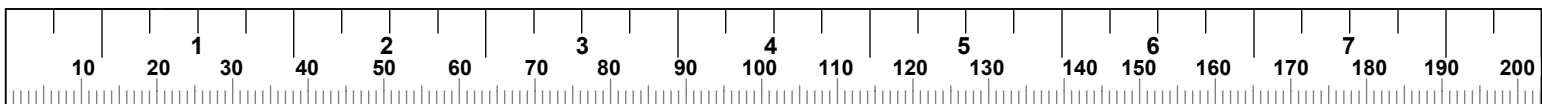
SECURELY tighten all bolt connections.



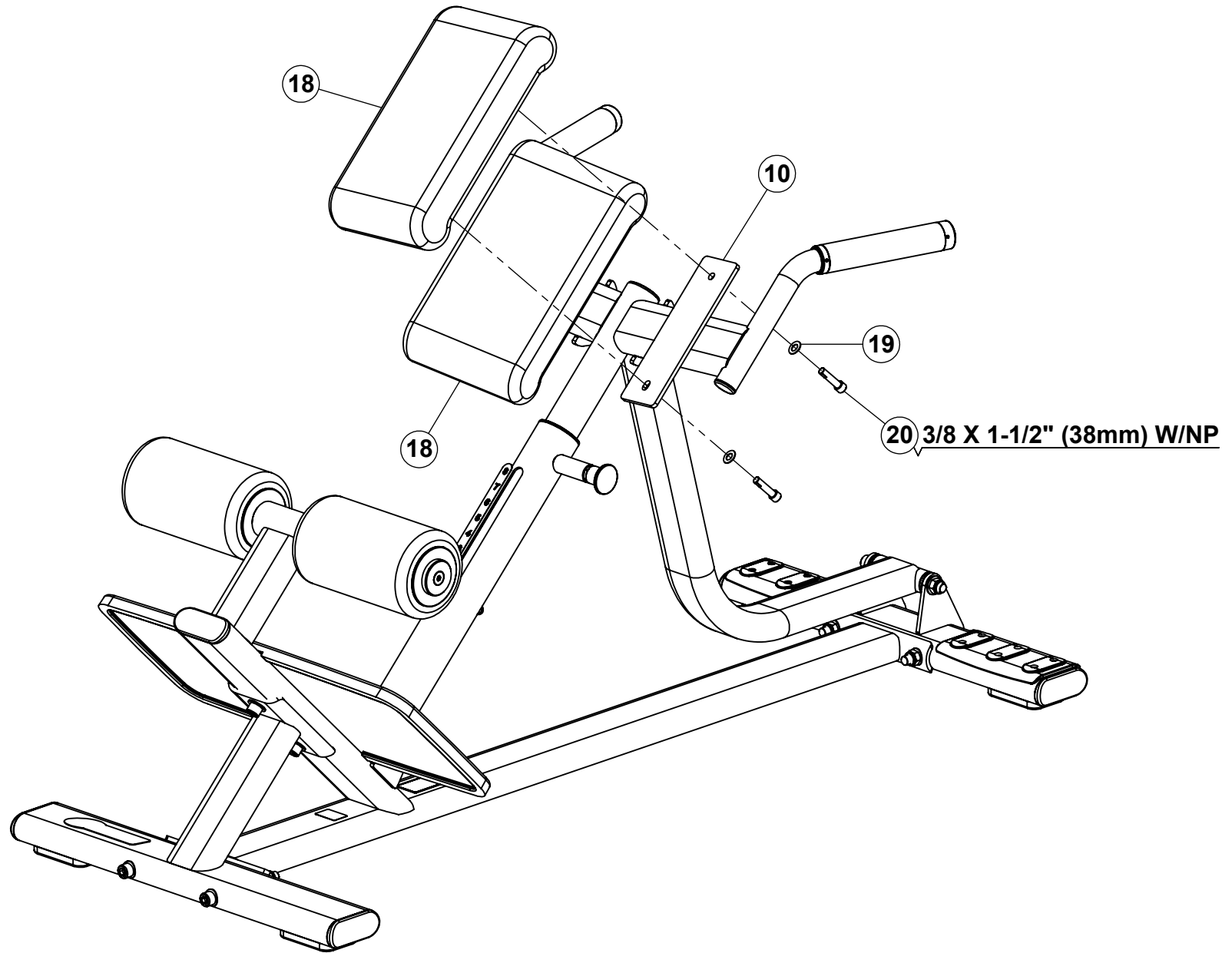
STEP 5



SECURELY tighten all bolt connections.



STEP 6



SECURELY tighten all bolt connections.

