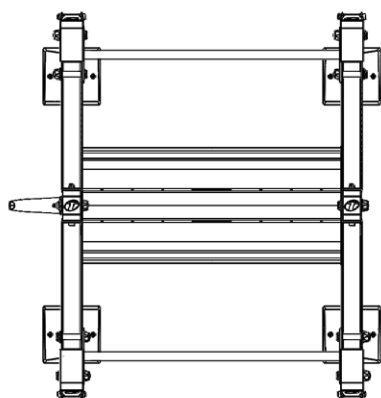


Model number	XCS2SC-1M
Footprint	50.0" x 53.9" (127 cm x 136 cm)
Height	Frame 95.8" (243 cm)
Minimum Required Live Area	20' x 8.5' (6.10 m x 2.59 m)
Warranty	10 year frame and welds/1 year parts/90 days misc.

TOP VIEW



MAIN OPTIONS / SUBSTITUTIONS

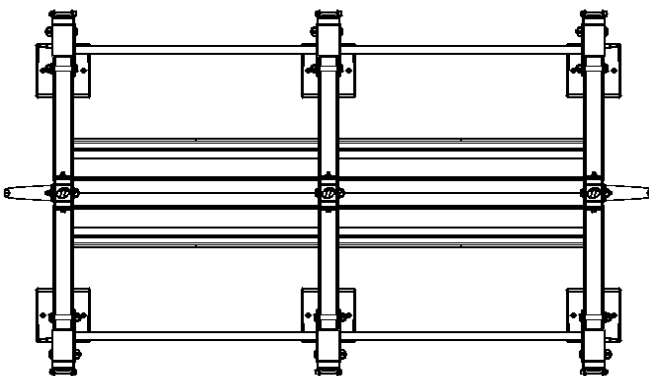
- BALL TARGET
- BALL & HANGING STORAGE EXTENSION
- GROUND ROTATIONAL TRAINER
- BAR/WEIGHT STORAGE
- DIP ATTACHMENT
- PLYO ATTACHMENT
- STALL BARS
- BALL TARGET WALL PAD
- MONKEY BAR CONFIGURATIONS
- 3D HEAVY BAG SWIVEL
- RELENTLESS ROPE
- ROCK CLIMBING GRIPS

NOTE: X-Create systems are required to be bolted to a concrete sub-floor. Accessories shown sold separately.



Model number	XCS2SC-2M
Footprint	50.0" x 99" (127 cm x 251cm)
Height	Frame 95.8" (243 cm)
Minimum Required Live Area	20' x 12.3' (6.10 m x 3.75 m)
Warranty	10 year frame and welds/1 year parts/90 days misc.

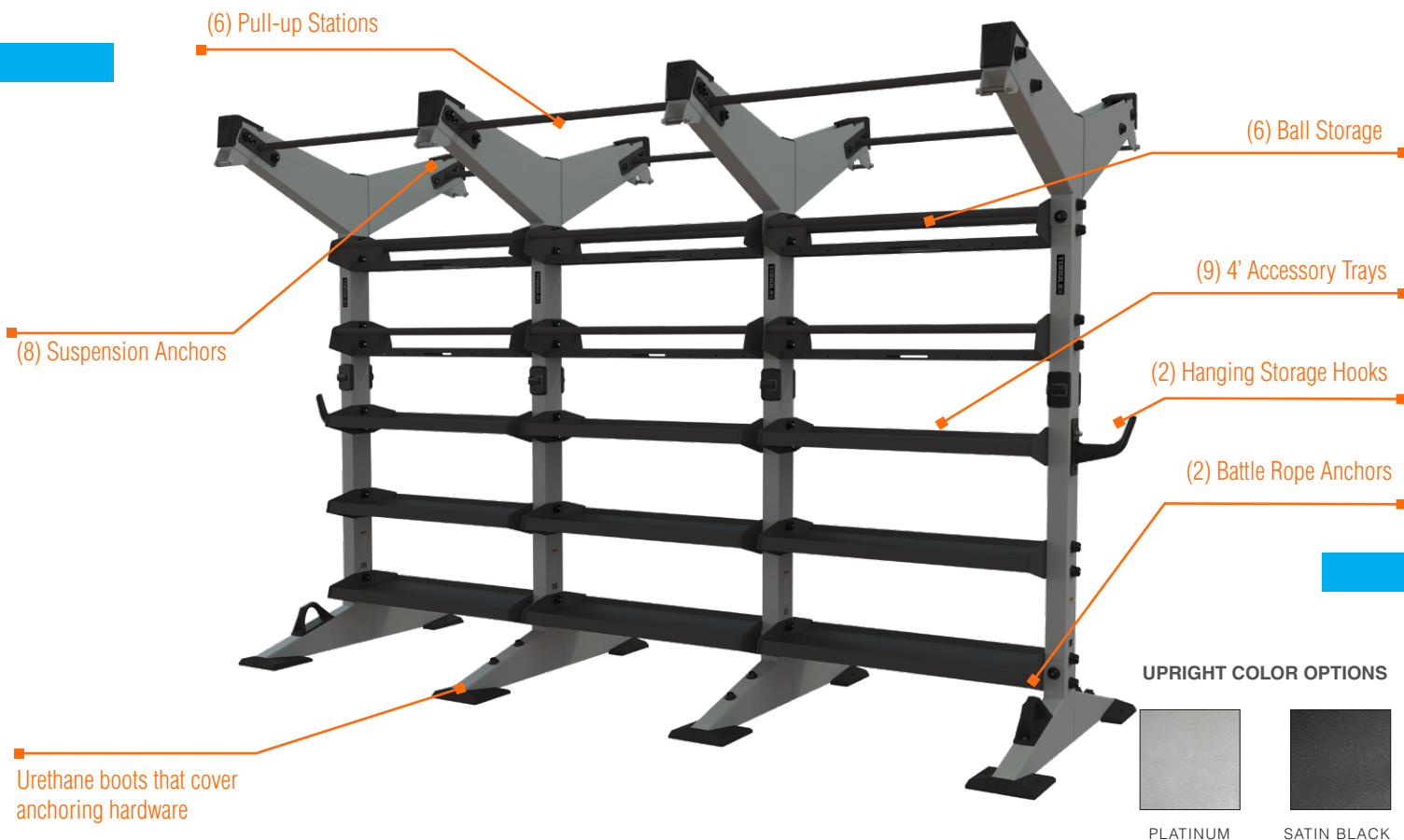
TOP VIEW



MAIN OPTIONS / SUBSTITUTIONS

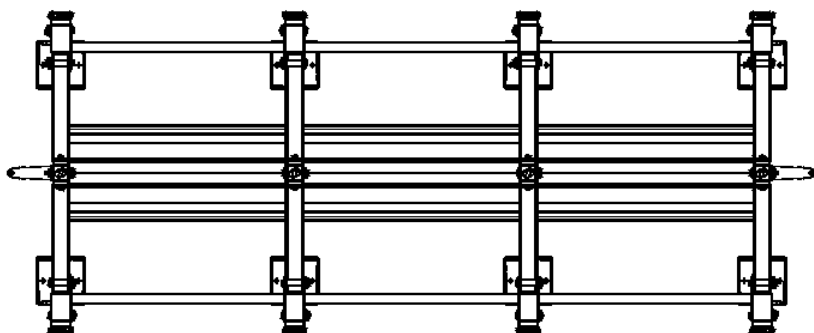
- BALL TARGET
- BALL & HANGING STORAGE EXTENSION
- GROUND ROTATIONAL TRAINER
- BAR/WEIGHT STORAGE
- DIP ATTACHMENT
- PLYO ATTACHMENT
- STALL BARS
- BALL TARGET WALL PAD
- MONKEY BAR CONFIGURATIONS
- 3D HEAVY BAG SWIVEL
- RELENTLESS ROPE
- ROCK CLIMBING GRIPS

NOTE: X-Create systems are required to be bolted to a concrete sub-floor. Accessories shown sold separately.



Model number	XCS2SC-3M
Footprint	50.0" x 144.1" (127 cm x 366 cm)
Height	Frame 95.8" (243 cm)
Minimum Required Live Area	20' x 16.0' (6.10 m x 4.88 m)
Warranty	10 year frame and welds/1 year parts/90 days misc.

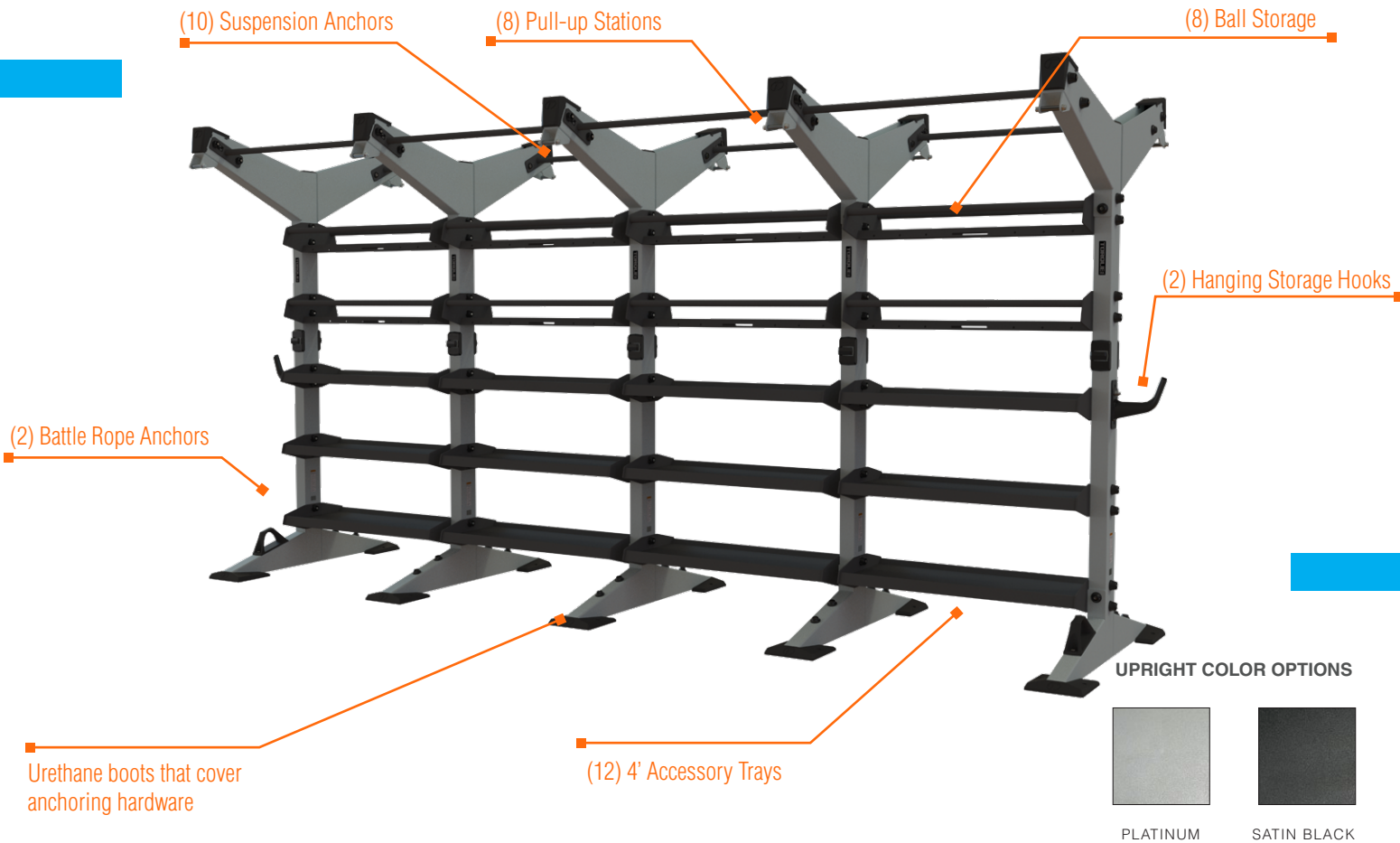
TOP VIEW



MAIN OPTIONS / SUBSTITUTIONS

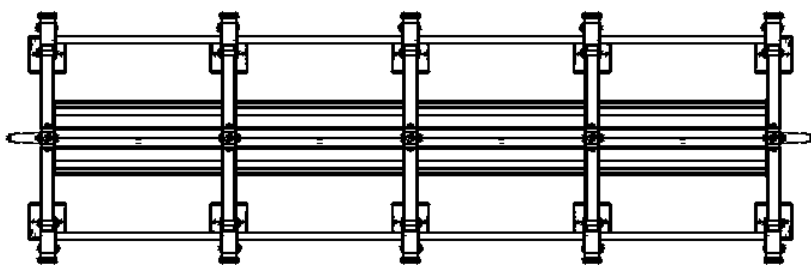
- BALL TARGET
- BALL & HANGING STORAGE EXTENSION
- GROUND ROTATIONAL TRAINER
- BAR/WEIGHT STORAGE
- DIP ATTACHMENT
- PLYO ATTACHMENT
- STALL BARS
- BALL TARGET WALL PAD
- MONKEY BAR CONFIGURATIONS
- 3D HEAVY BAG SWIVEL
- RELENTLESS ROPE
- ROCK CLIMBING GRIPS

NOTE: X-Create systems are required to be bolted to a concrete sub-floor. Accessories shown sold separately.



Model number	XCS2SC-4M
Footprint	50.0" x 189.1" (127 cm x 480 cm)
Height	Frame 95.8" (243 cm)
Minimum Required Live Area	20' x 19.8' (6.10 m x 6.04 m)
Warranty	10 year frame and welds/1 year parts/90 days misc.

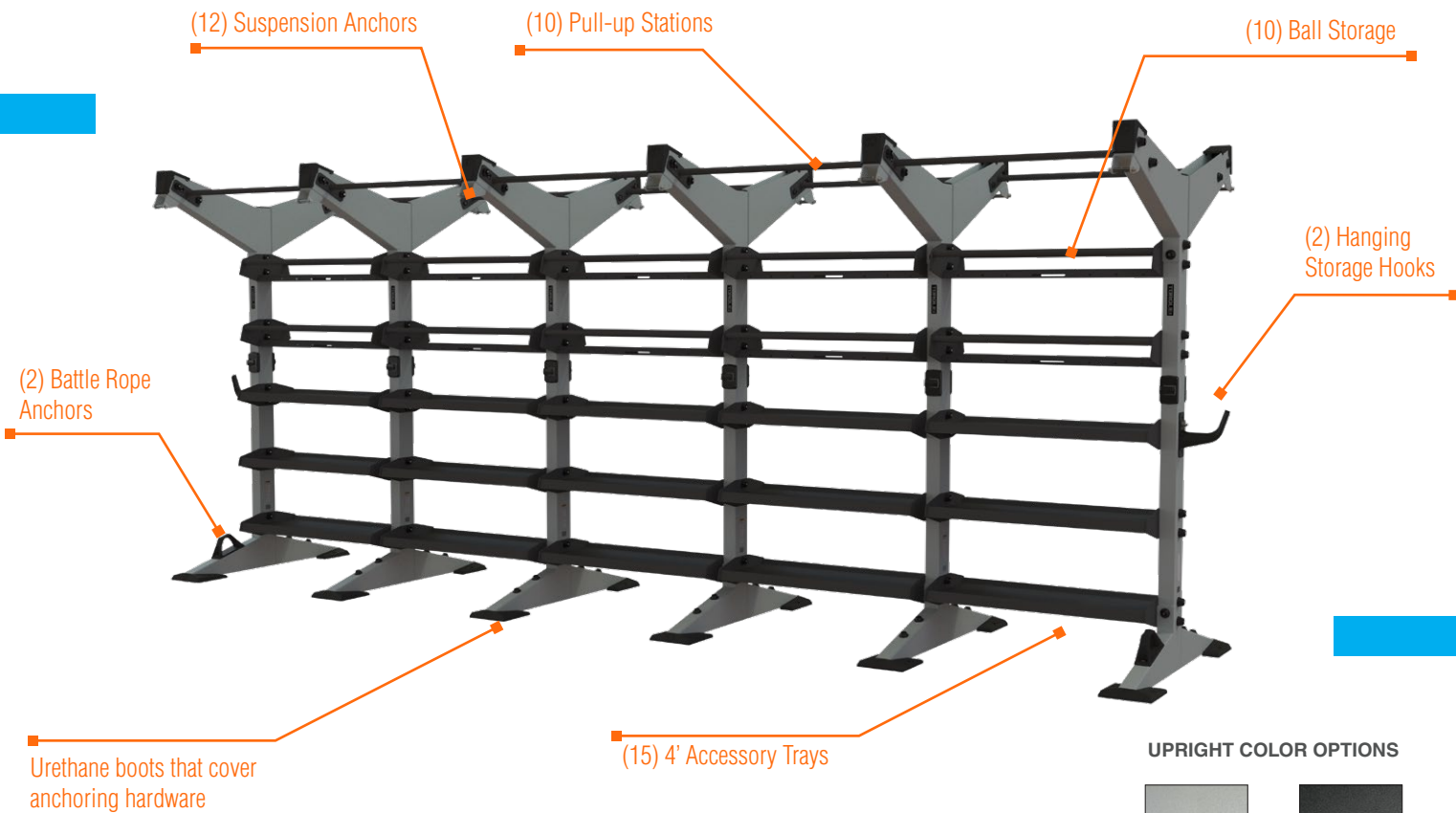
TOP VIEW



MAIN OPTIONS / SUBSTITUTIONS

- BALL TARGET
- BALL & HANGING STORAGE EXTENSION
- GROUND ROTATIONAL TRAINER
- BAR/WEIGHT STORAGE
- DIP ATTACHMENT
- PLYO ATTACHMENT
- STALL BARS
- BALL TARGET WALL PAD
- MONKEY BAR CONFIGURATIONS
- 3D HEAVY BAG SWIVEL
- RELENTLESS ROPE
- ROCK CLIMBING GRIPS

NOTE: X-Create systems are required to be bolted to a concrete sub-floor. Accessories shown sold separately.



UPRIGHT COLOR OPTIONS



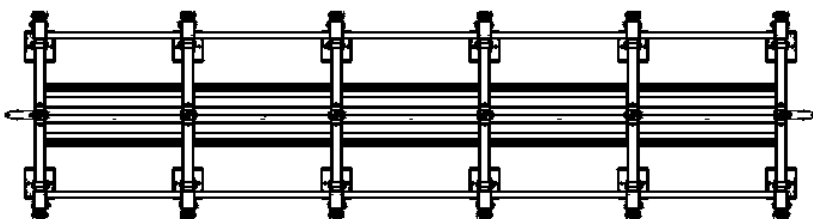
PLATINUM



SATIN BLACK

Model number	XCS2SC-5M
Footprint	50.0" x 234.2" (127 cm x 594 cm)
Height	Frame 95.8" (243 cm)
Minimum Required Live Area	20' x 23.5' (6.10 m x 7.16 m)
Warranty	10 year frame and welds/1 year parts/90 days misc.

TOP VIEW



MAIN OPTIONS / SUBSTITUTIONS

- BALL TARGET
- BALL & HANGING STORAGE EXTENSION
- GROUND ROTATIONAL TRAINER
- BAR/WEIGHT STORAGE
- DIP ATTACHMENT
- PLYO ATTACHMENT
- STALL BARS
- BALL TARGET WALL PAD
- MONKEY BAR CONFIGURATIONS
- 3D HEAVY BAG SWIVEL
- RELENTLESS ROPE
- ROCK CLIMBING GRIPS

NOTE: X-Create systems are required to be bolted to a concrete sub-floor. Accessories shown sold separately.