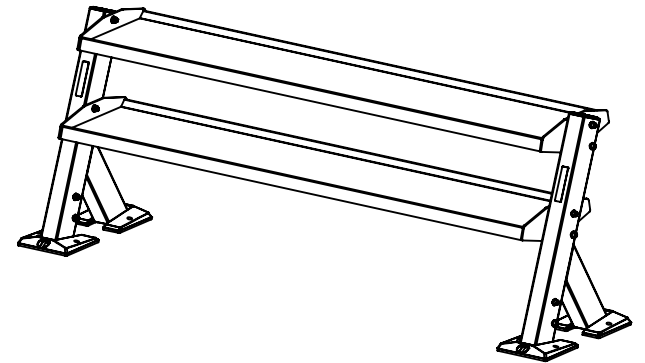
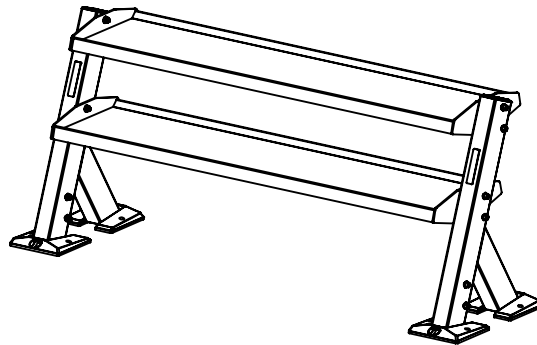
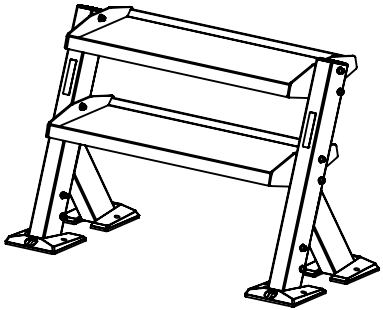
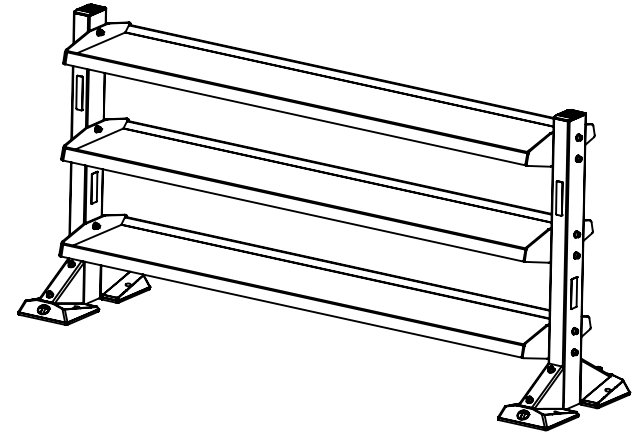
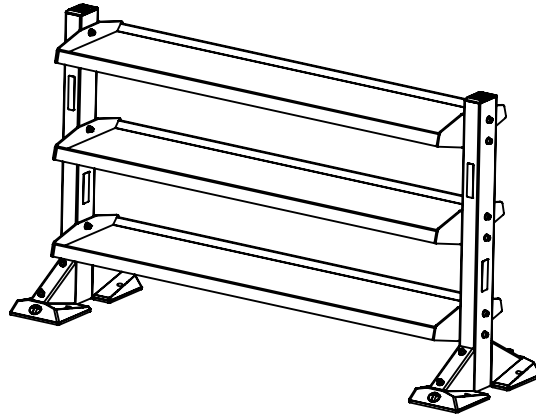
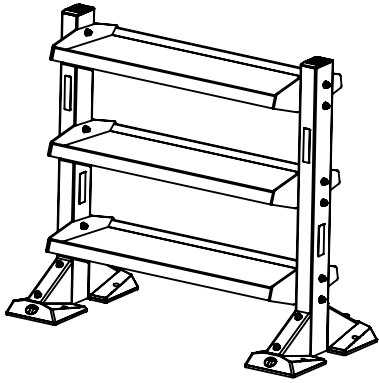


# XCREATE STORAGE RACK ASSEMBLY GUIDE

VERSION: XCUSR & XCHHDR

PART#5796801-C



# TABLE OF CONTENTS

## RACK ASSEMBLY:

- HARDWARE COVER FINISH KIT: **Page 3**

## XCUSR ASSEMBLY:

- 4' UNIVERSAL STORAGE RACK: **Pages 4-6**
- 6' UNIVERSAL STORAGE RACK: **Pages 7-9**
- 8' UNIVERSAL STORAGE RACK: **Pages 10-11**
- ATTACHMENT ASSEMBLY: **Pages 12-17**

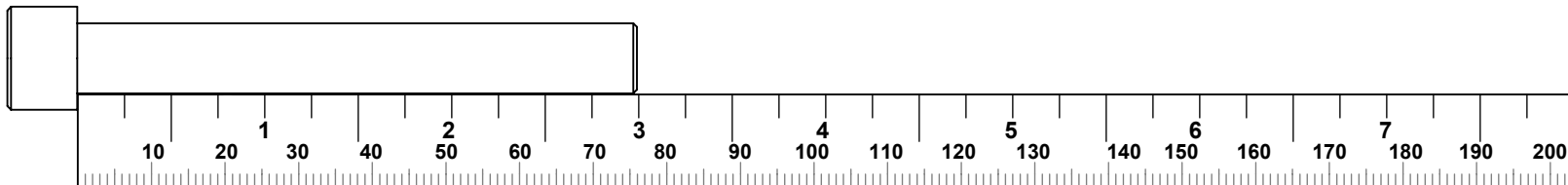
## XCHHDR ASSEMBLY:

- 4' HEX HEAD DUMBBELL RACK: **Pages 18-19**
- 6' HEX HEAD DUMBBELL RACK: **Pages 20-21**
- 8' HEX HEAD DUMBBELL RACK: **Pages 22-23**
  
- LABELS: **Page 24**
- URETHANE BOOT ASSEMBLY: **Page 25**

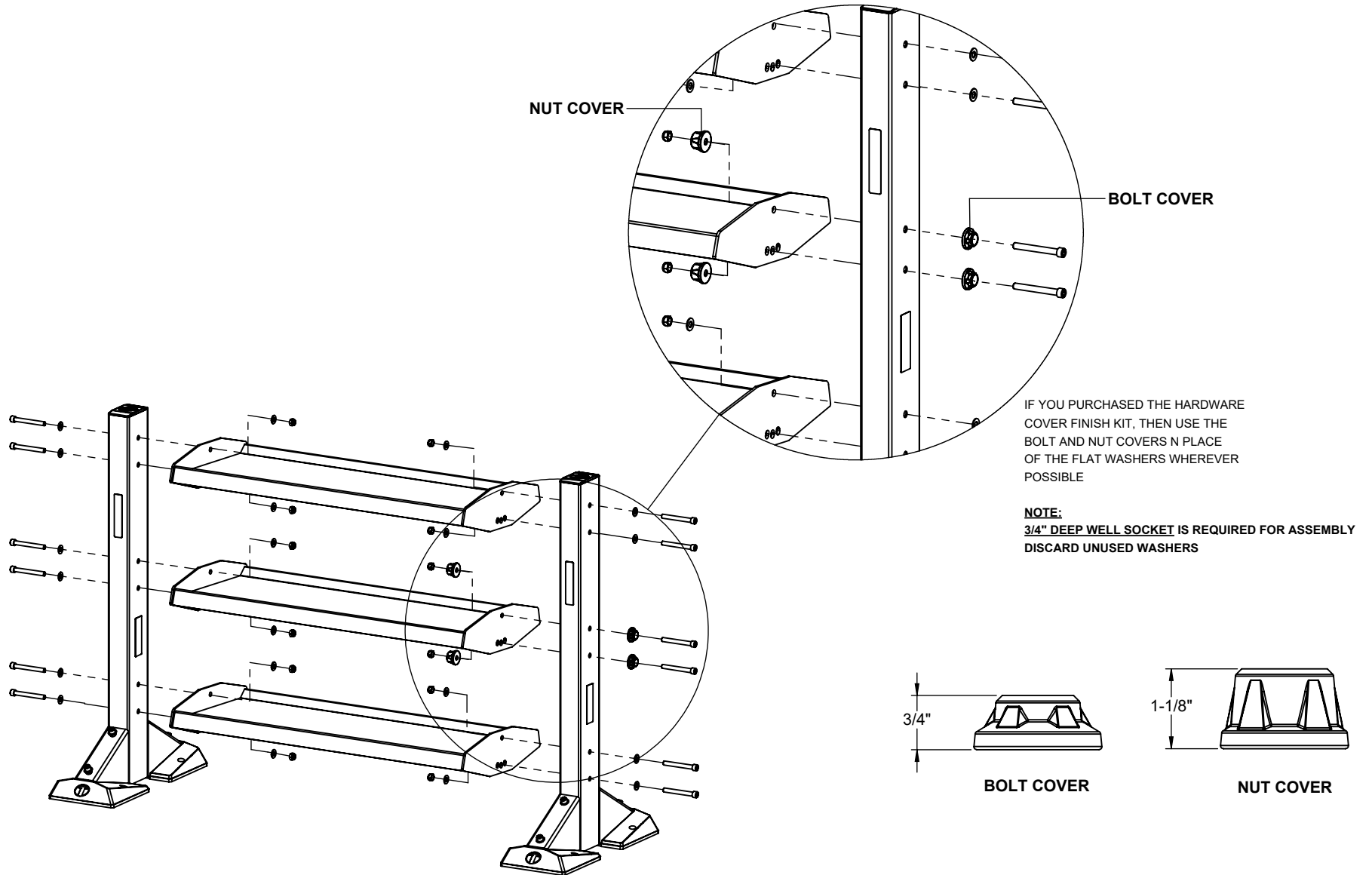
**NOTICES: Page 26**

## TOOLS NEEDED FOR ASSEMBLY:

- 3/8" ALLEN WRENCH
- 5/16" ALLEN WRENCH
- 3/16" ALLEN WRENCH
- 3/4" WRENCH OR SOCKET
- 9/16" WRENCH OR SOCKET
- 1/2" WRENCH OR SOCKET
- RUBBER MALLET
- RATCHET

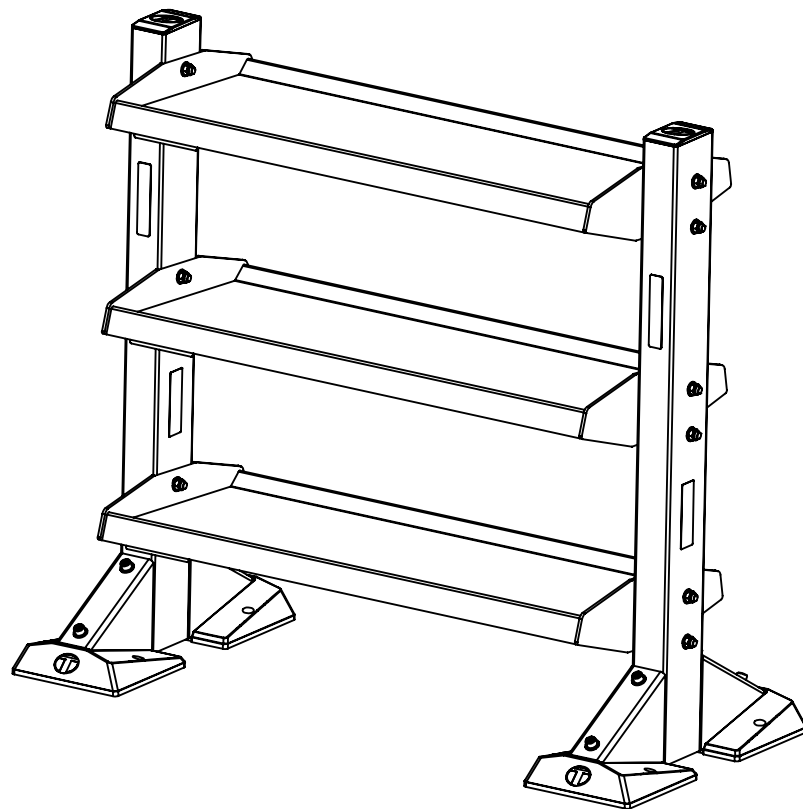


# XHCFK HARDWARE COVER FINISH KIT

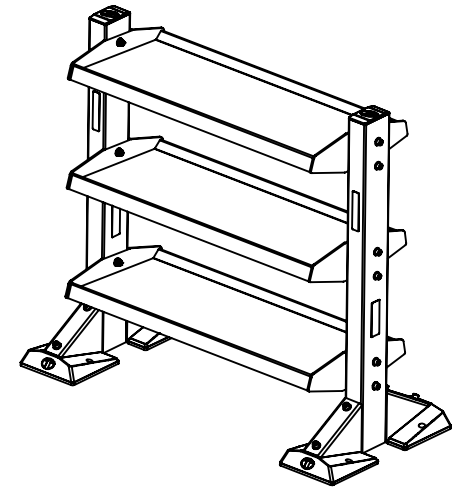


# XCREATE STORAGE RACK ASSEMBLY GUIDE

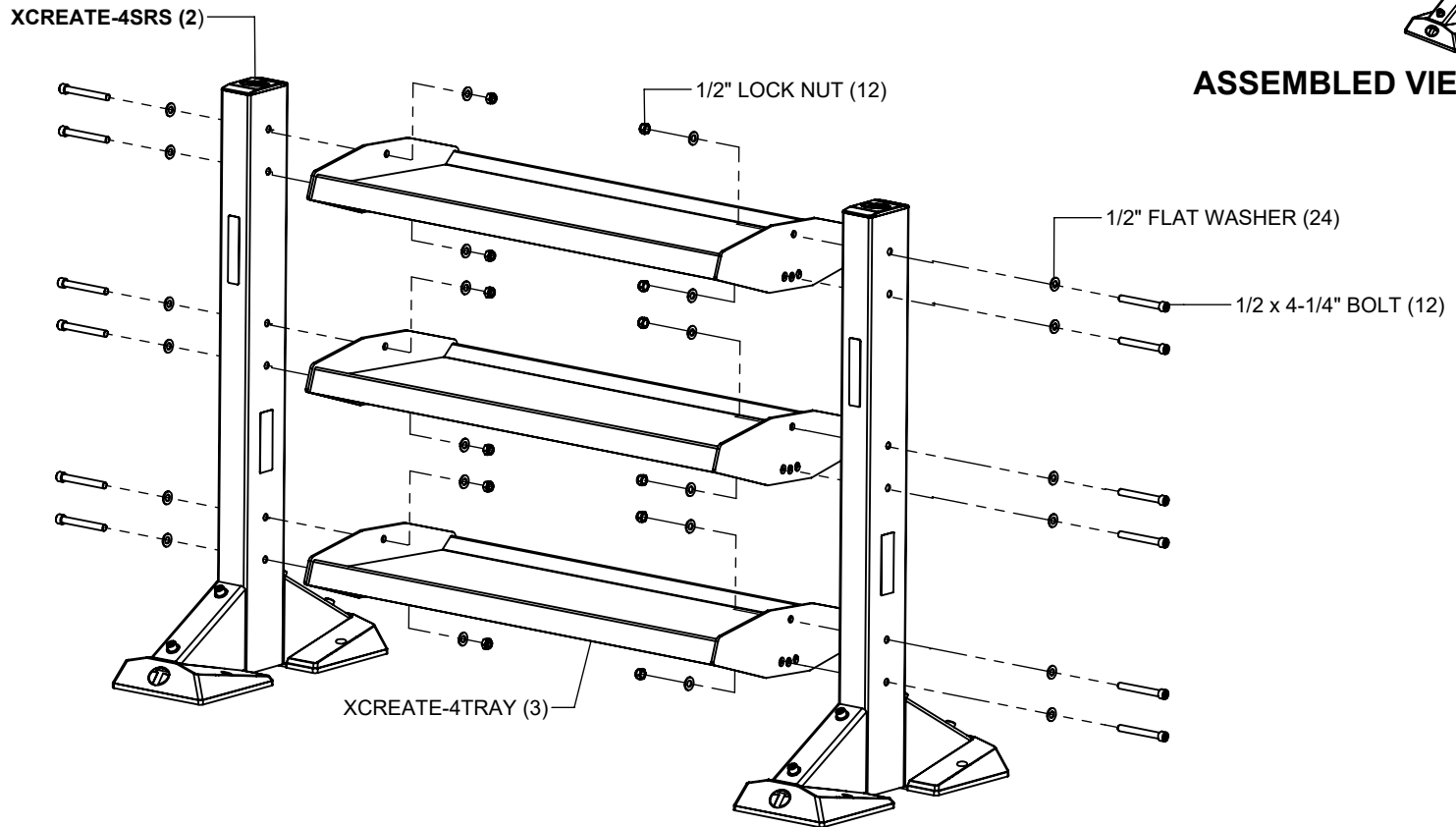
**VERSION: XC4USR**



# XC4USR - 4TRAY



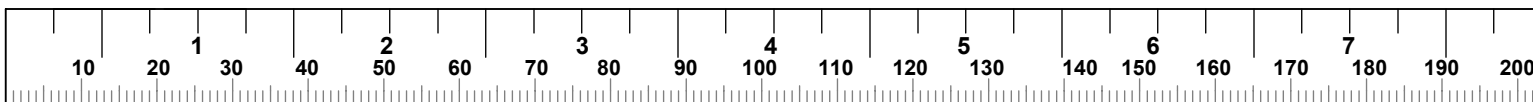
**ASSEMBLED VIEW**



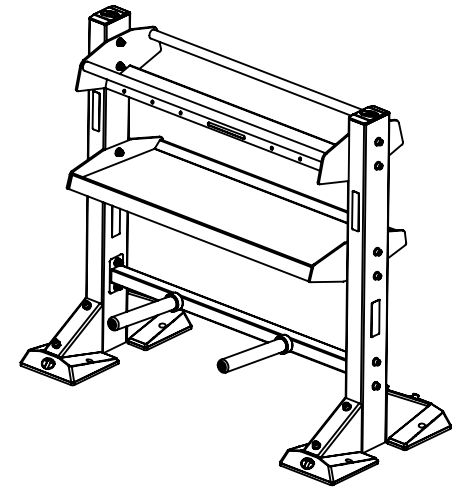
**NOTE:**

**SECURELY** tighten all bolt connections in this step.

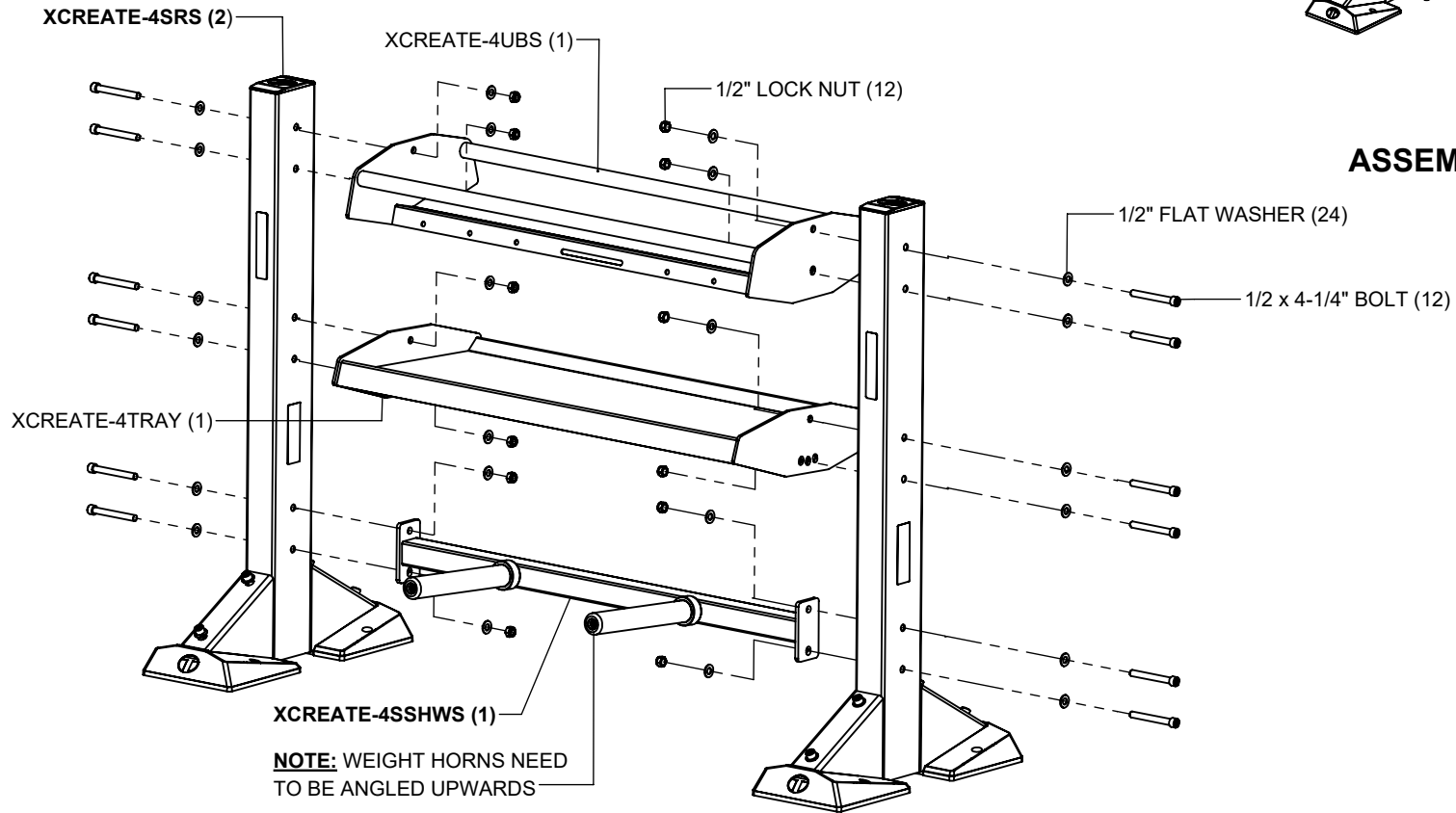
**HARDWARE COVERS** can be used in place of washers in this step



# XC4USR - 4UBS, 4TRAY, AND 4SSHWS



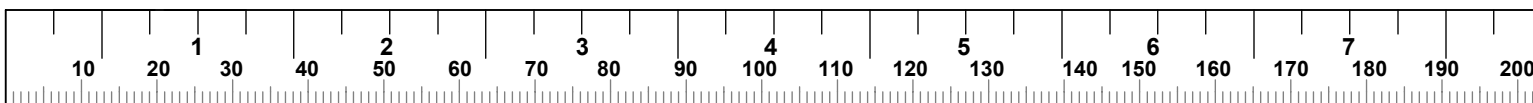
**ASSEMBLED VIEW**



## **NOTE:**

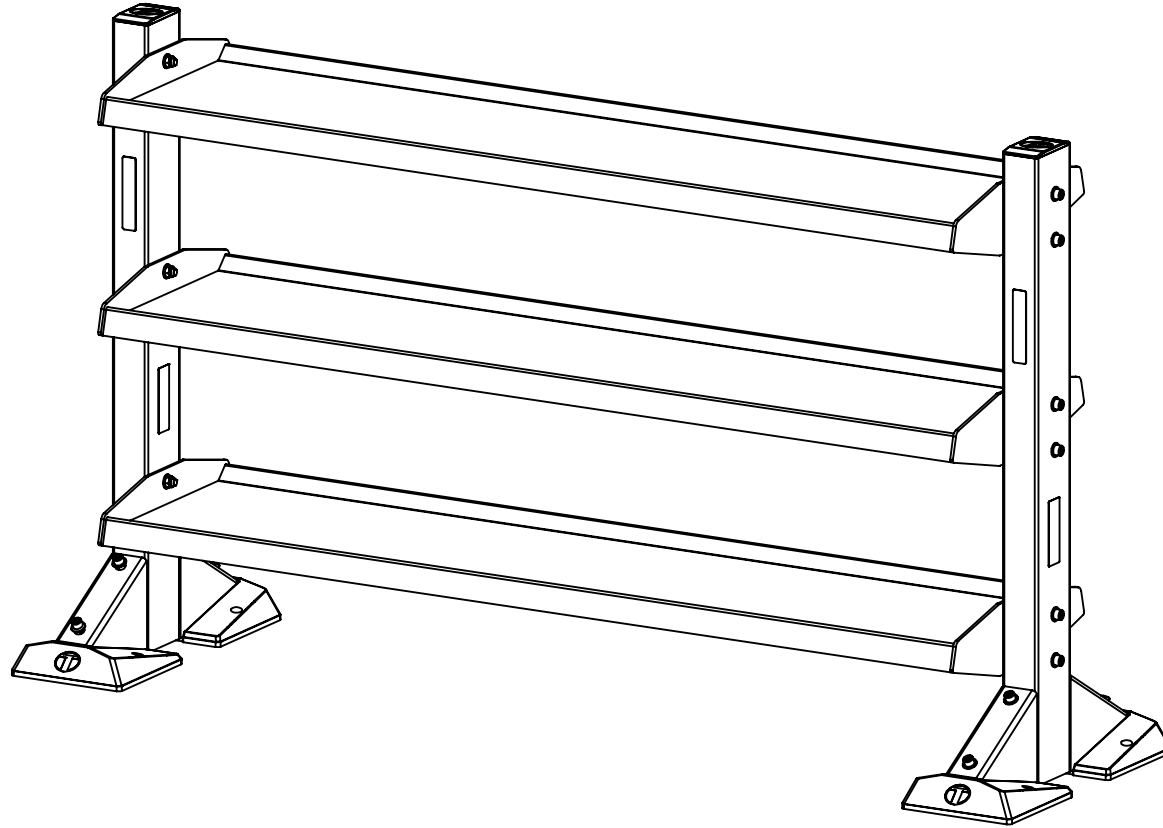
**SECURELY** tighten all bolt connections in this step.

**HARDWARE COVERS** can be used in place of washers in this step

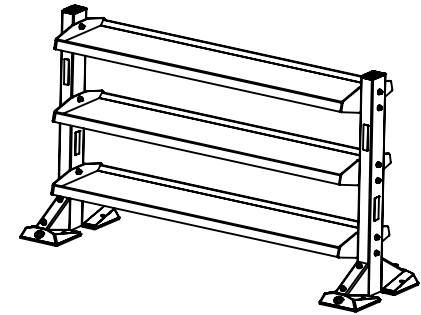


# XCREATE STORAGE RACK ASSEMBLY GUIDE

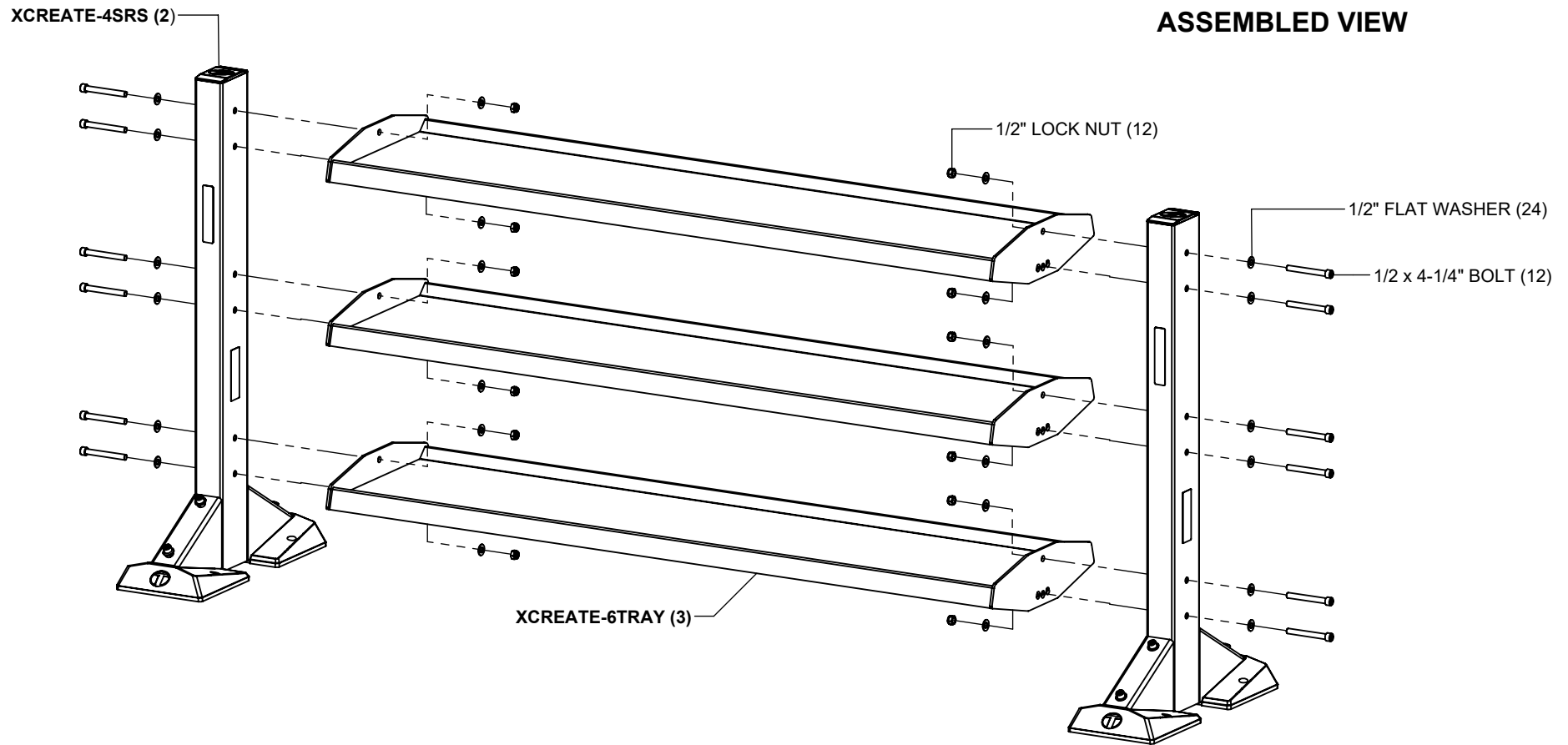
*VERSION: XC6USR*



# XC6USR - 6TRAY



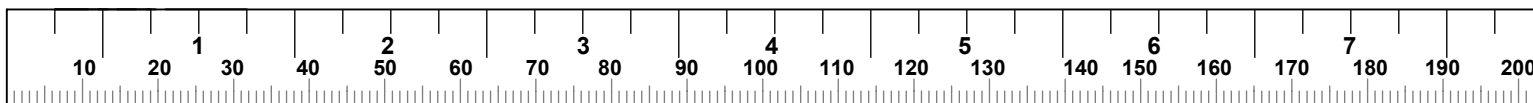
**ASSEMBLED VIEW**



**NOTE:**

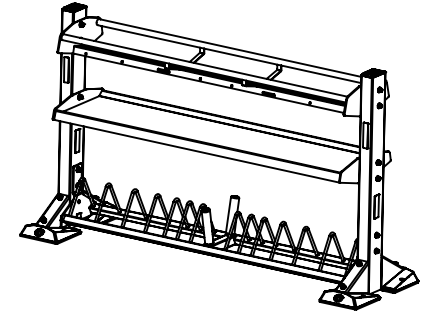
**SECURELY** tighten all bolt connections in this step.

HARDWARE COVERS can be used in place of washers in this step

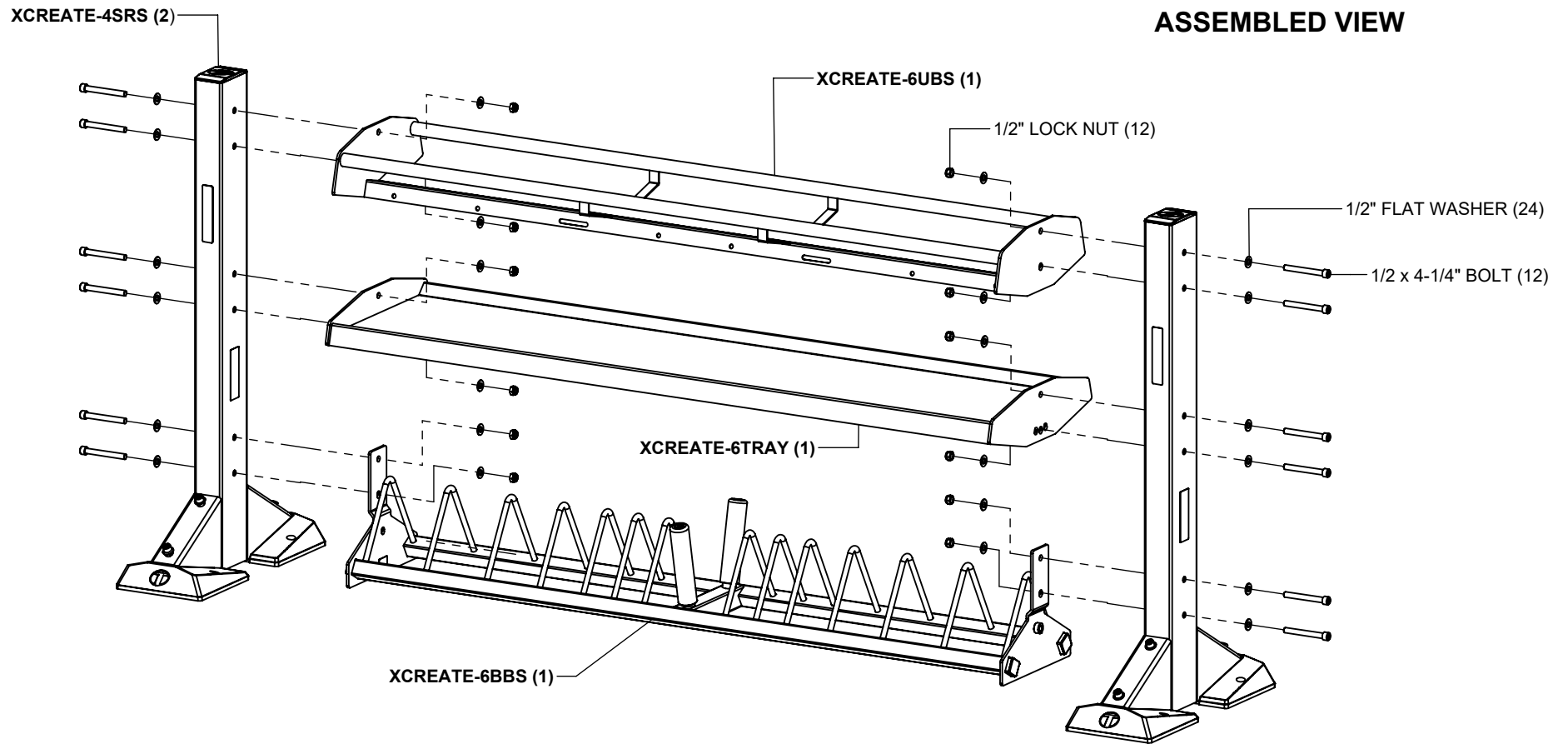




# XC6USR - 6UBS, 6TRAY, AND 6BBS



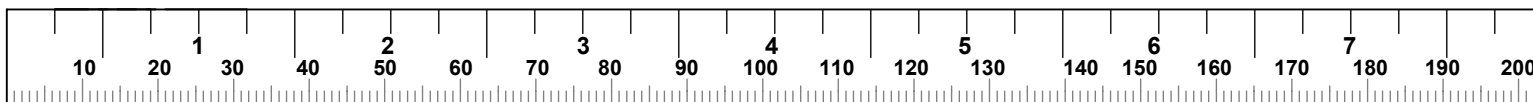
**ASSEMBLED VIEW**



**NOTE:**

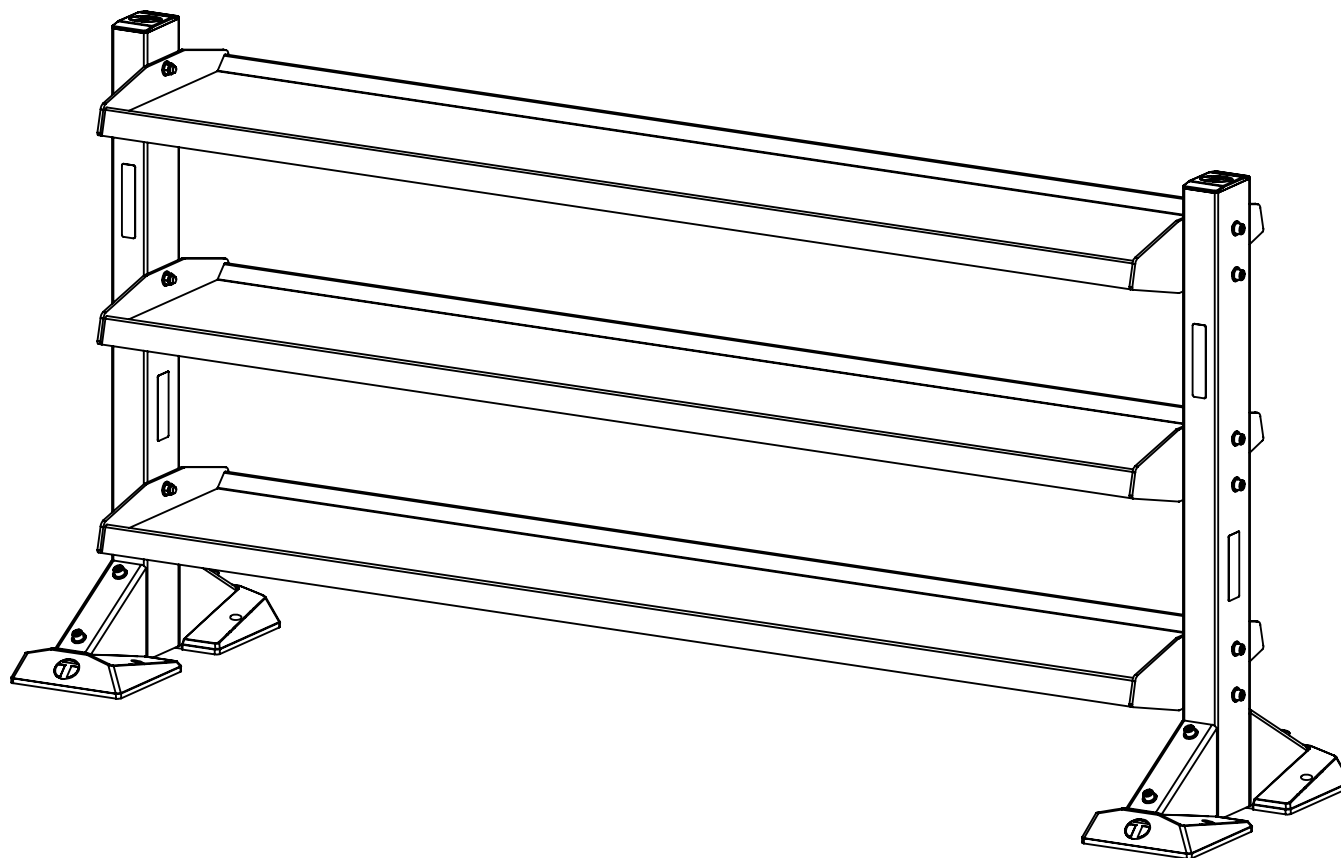
**SECURELY** tighten all bolt connections in this step.

HARDWARE COVERS can be used in place of washers in this step

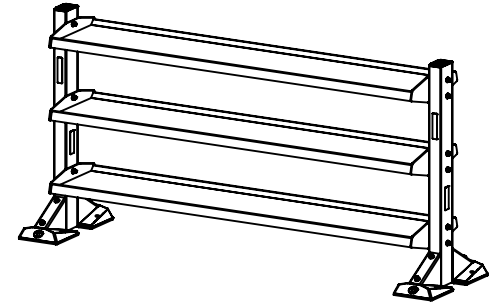


# XCREATE STORAGE RACK ASSEMBLY GUIDE

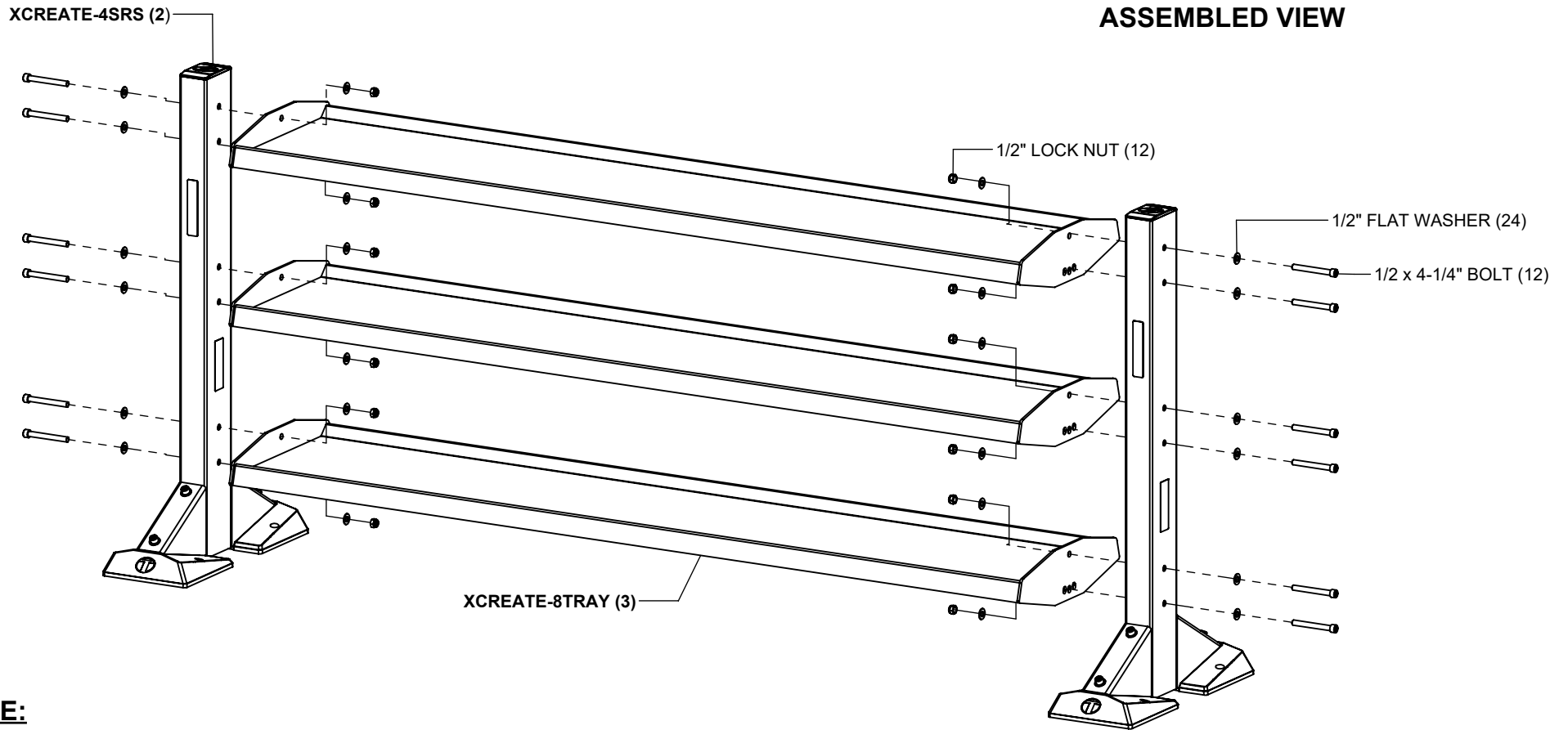
**VERSION: XC8USR**



# XC8USR - 8TRAY



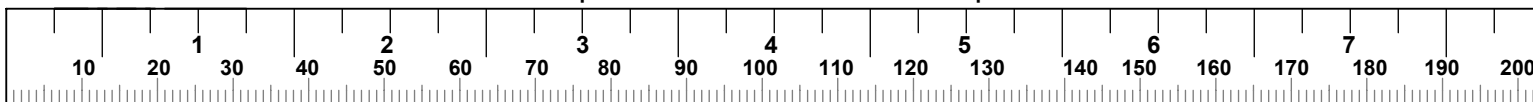
**ASSEMBLED VIEW**



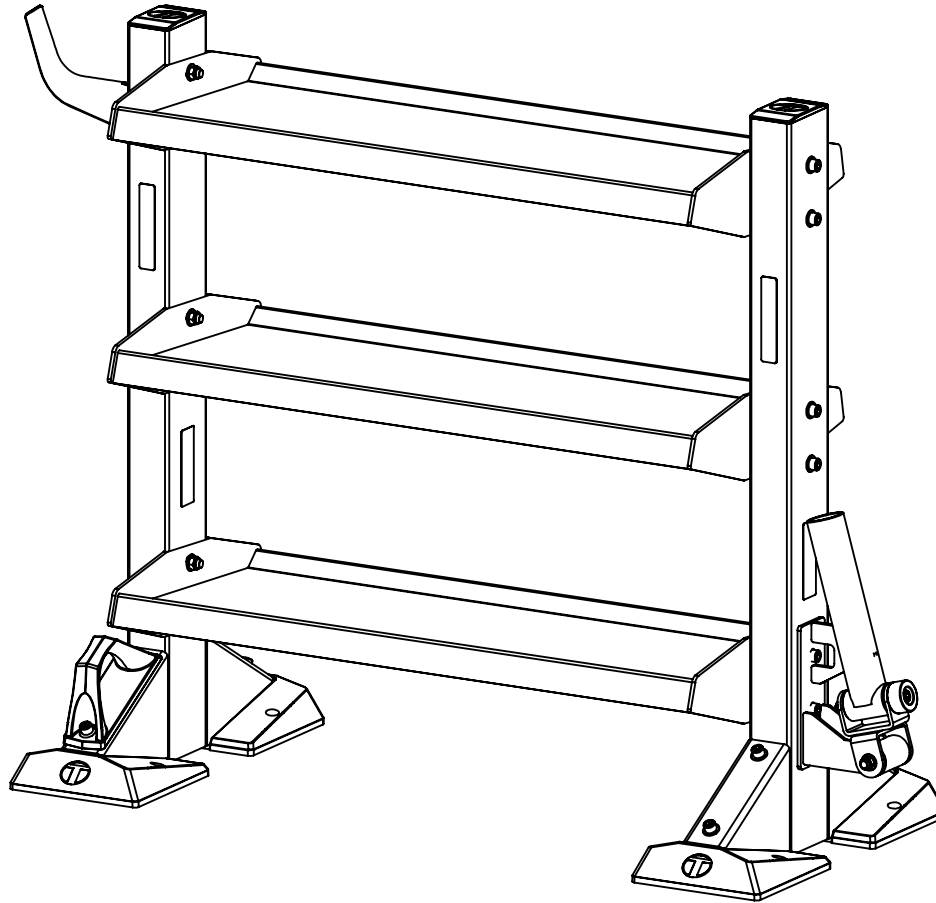
**NOTE:**

**SECURELY** tighten all bolt connections in this step.

**HARDWARE COVERS** can be used in place of washers in this step.



## ***XCUSR OPTIONS AND ATTACHMENTS***

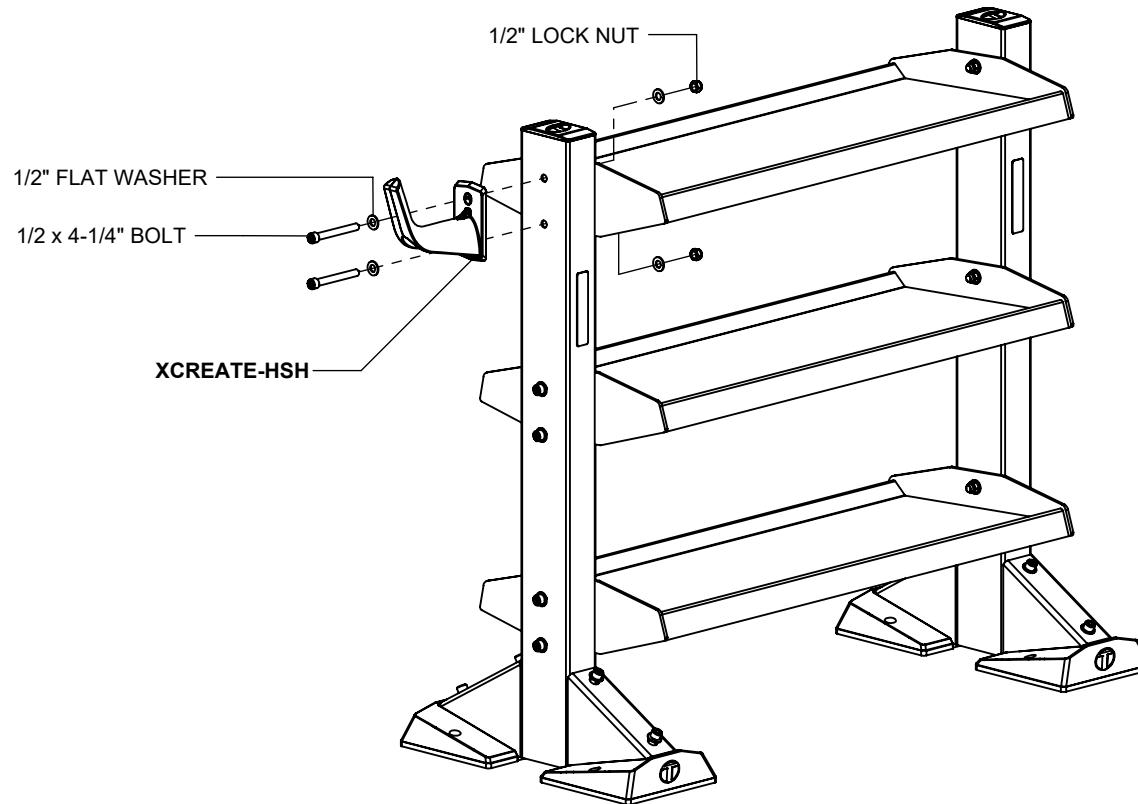


### **NOTE:**

**XCREATE UNIVERSAL STORAGE RACKS** are compatible with a wide range of attachments. The following steps are shown for the bolted connections only. Reference previous steps for assembling a particular rack configuration.

For the purpose of illustration the XC4USR will be shown. The XC6USR, and XC8USR are assembled the exact same way.

## ***XCUSR ATTACHMENTS HANGING STORAGE HOOK***

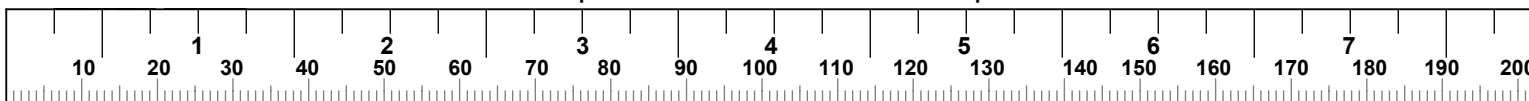


### **NOTE:**

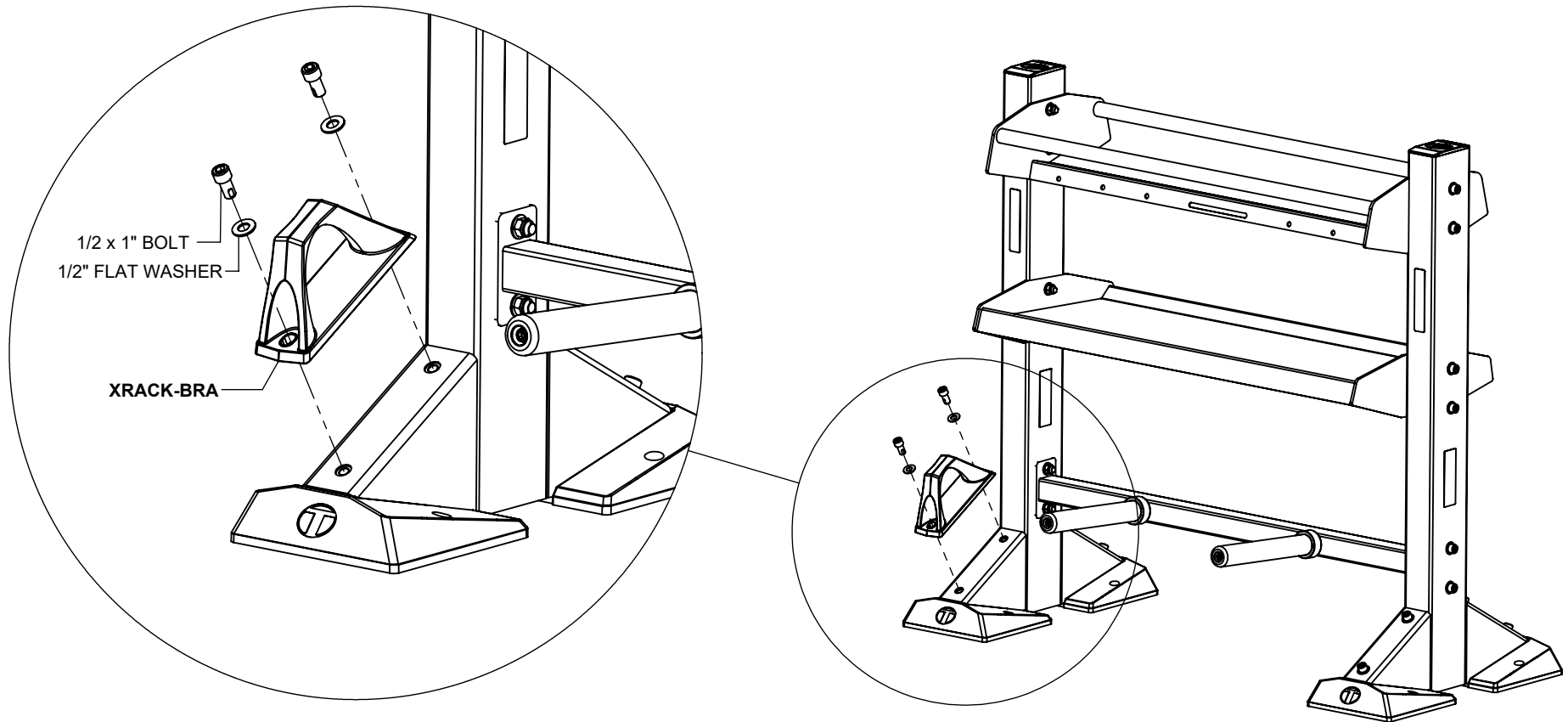
For the purpose of illustration the XC4USR will be shown. The XC6USR, and XC8USR are assembled the exact same way.

**SECURELY** tighten all bolt connections in this step.

**HARDWARE COVERS** can be used in place of washers in this step.



# XCUSR ATTACHMENTS BATTLE ROPE ANCHOR

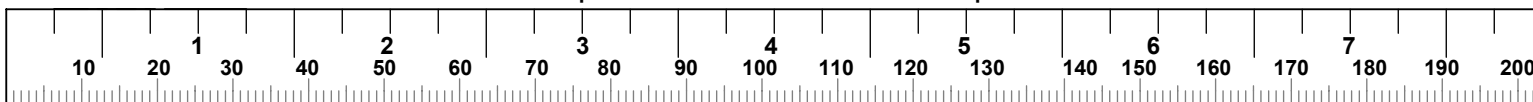


## **NOTE:**

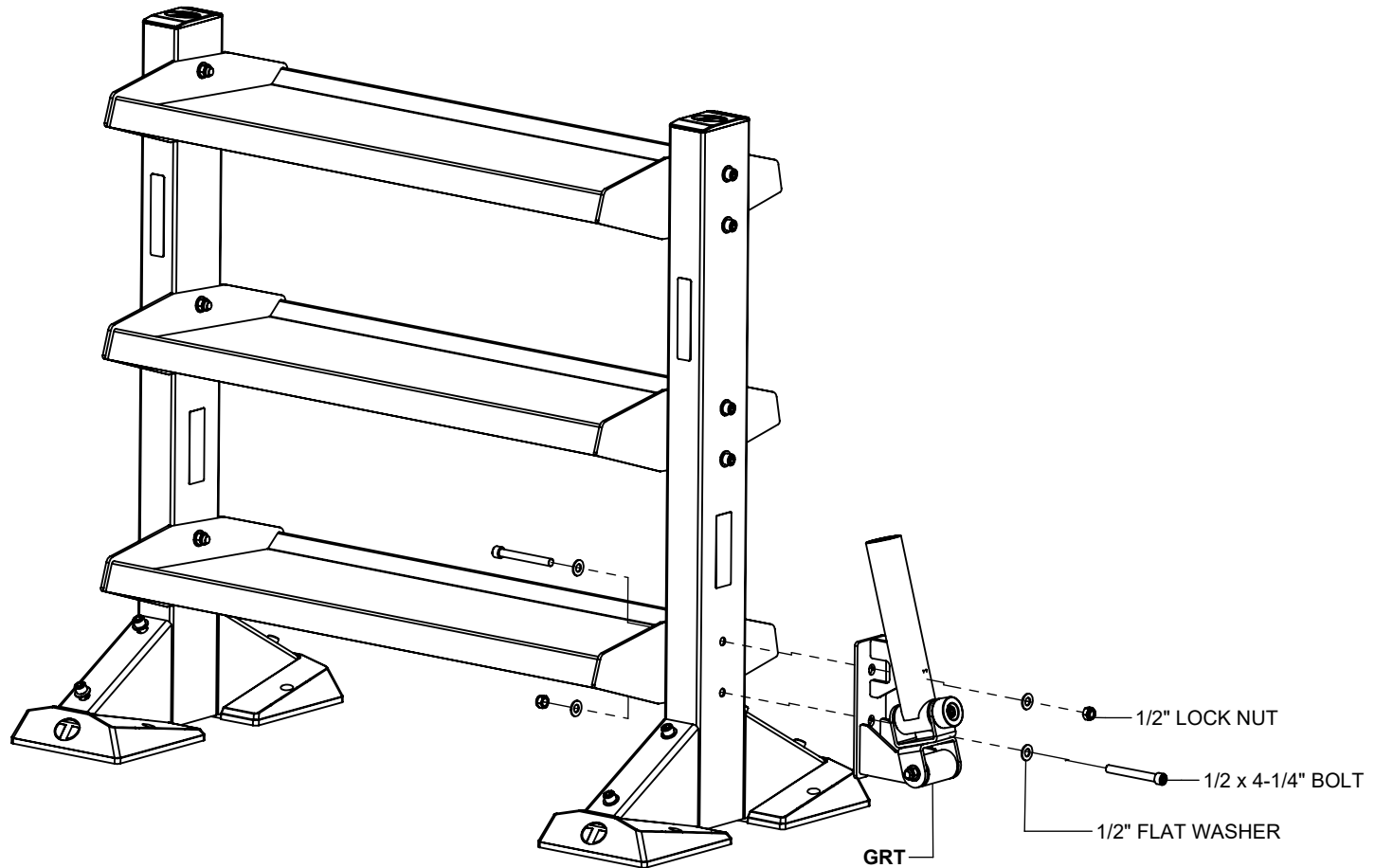
For the purpose of illustration the XC4USR will be shown. The XC6USR, and XC8USR are assembled the exact same way.

**SECURELY** tighten all bolt connections in this step.

HARDWARE COVERS can be used in place of washers in this step.



# **XCUSR ATTACHMENTS GROUND ROTATIONAL TRAINER**

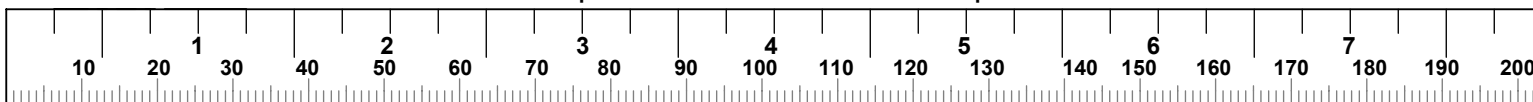


## **NOTE:**

For the purpose of illustration the XC4USR will be shown. The XC6USR, and XC8USR are assembled the exact same way.

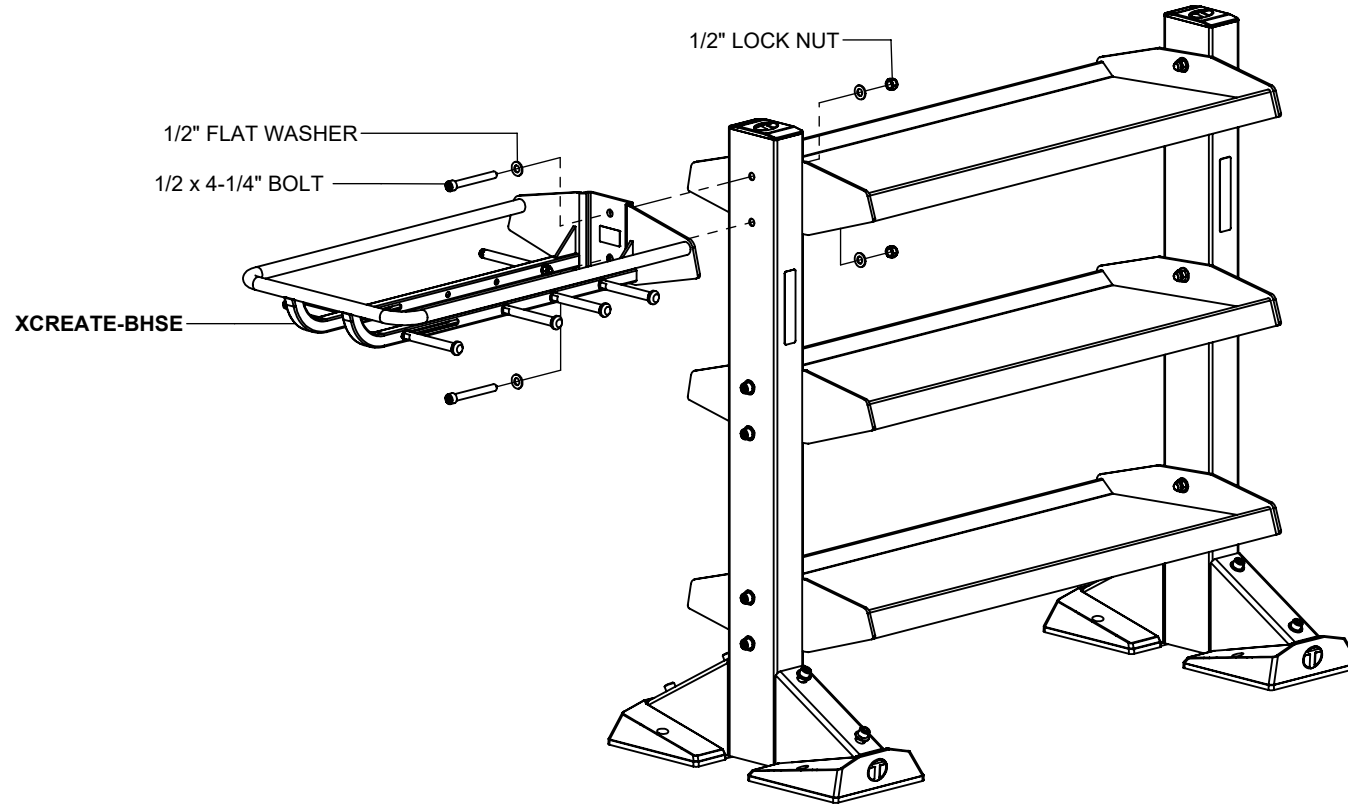
**SECURELY** tighten all bolt connections in this step.

**HARDWARE COVERS** can be used in place of washers in this step.



# **XCUSR ATTACHMENTS**

## **BALL AND HANGING STORAGE EXTENSION**

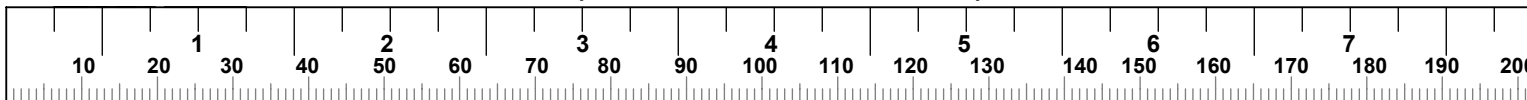


### **NOTE:**

For the purpose of illustration the XC4USR will be shown. The XC6USR, and XC8USR are assembled the exact same way.

**SECURELY** tighten all bolt connections in this step.

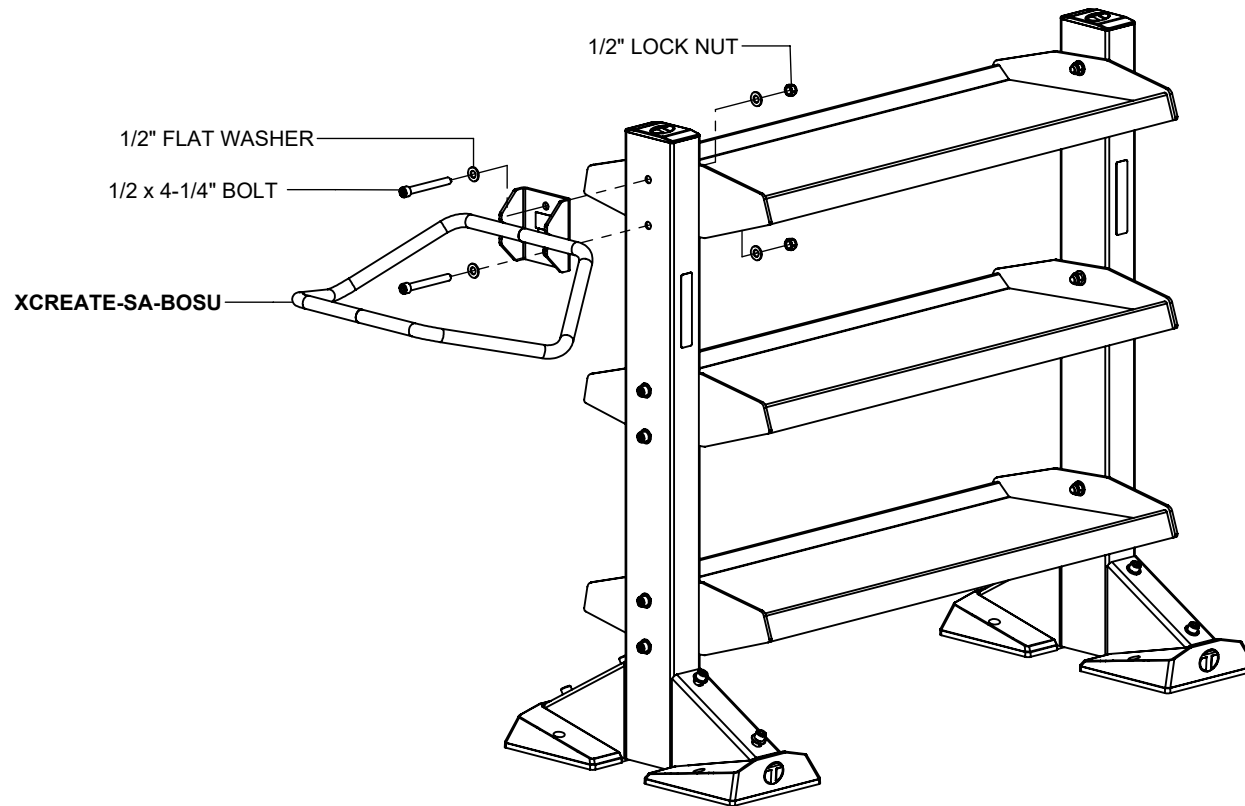
**HARDWARE COVERS** can be used in place of washers in this step.





# **XCUSR ATTACHMENTS**

## **BOSU STORAGE ATTACHMENT**

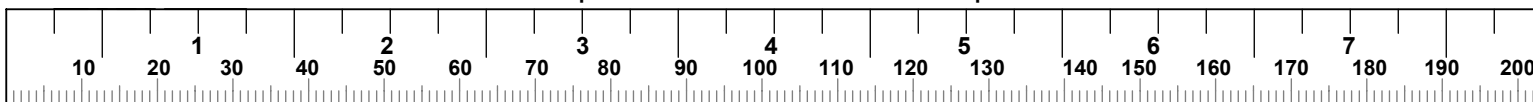


### **NOTE:**

For the purpose of illustration the XC4USR will be shown. The XC6USR, and XC8USR are assembled the exact same way.

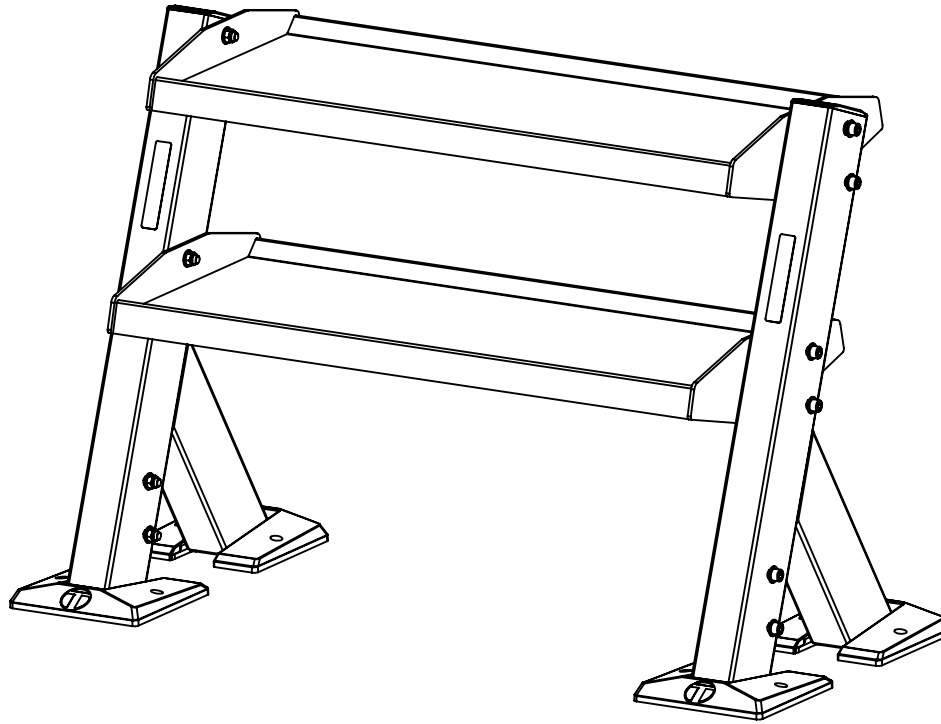
**SECURELY** tighten all bolt connections in this step.

**HARDWARE COVERS** can be used in place of washers in this step.

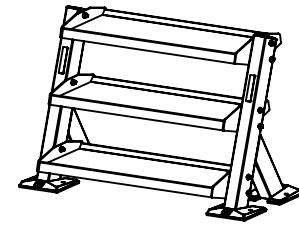


# XCREATE STORAGE RACK ASSEMBLY GUIDE

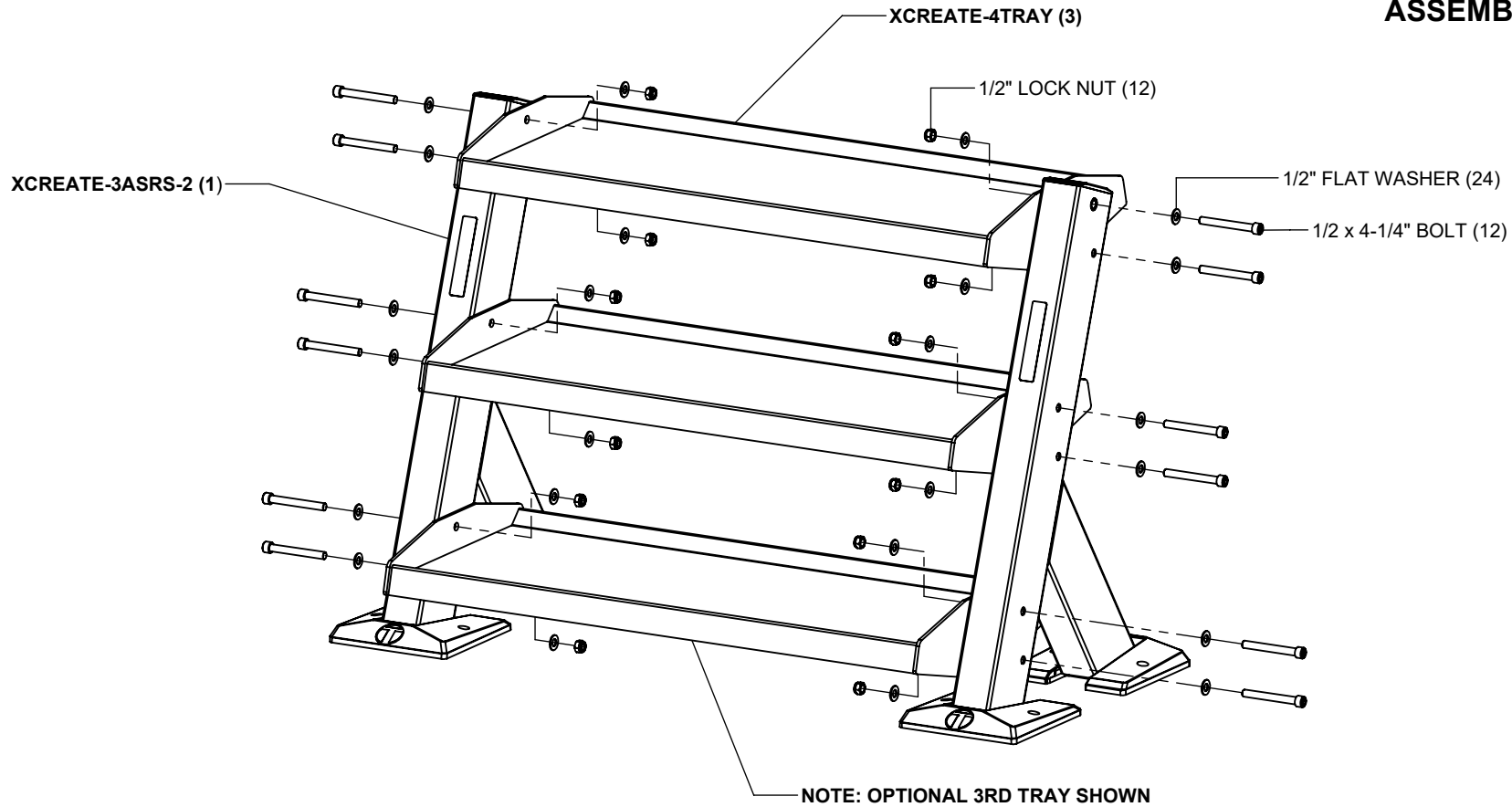
**VERSION: XC4HHDR**



# XC4HHDR - 4TRAY



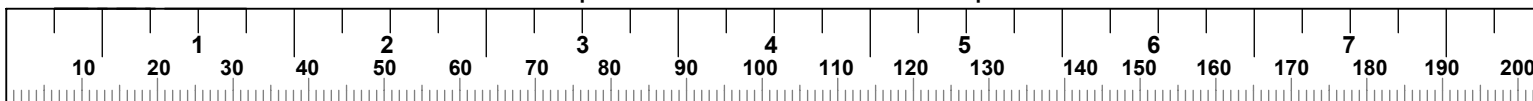
**ASSEMBLED VIEW**



**NOTE:**

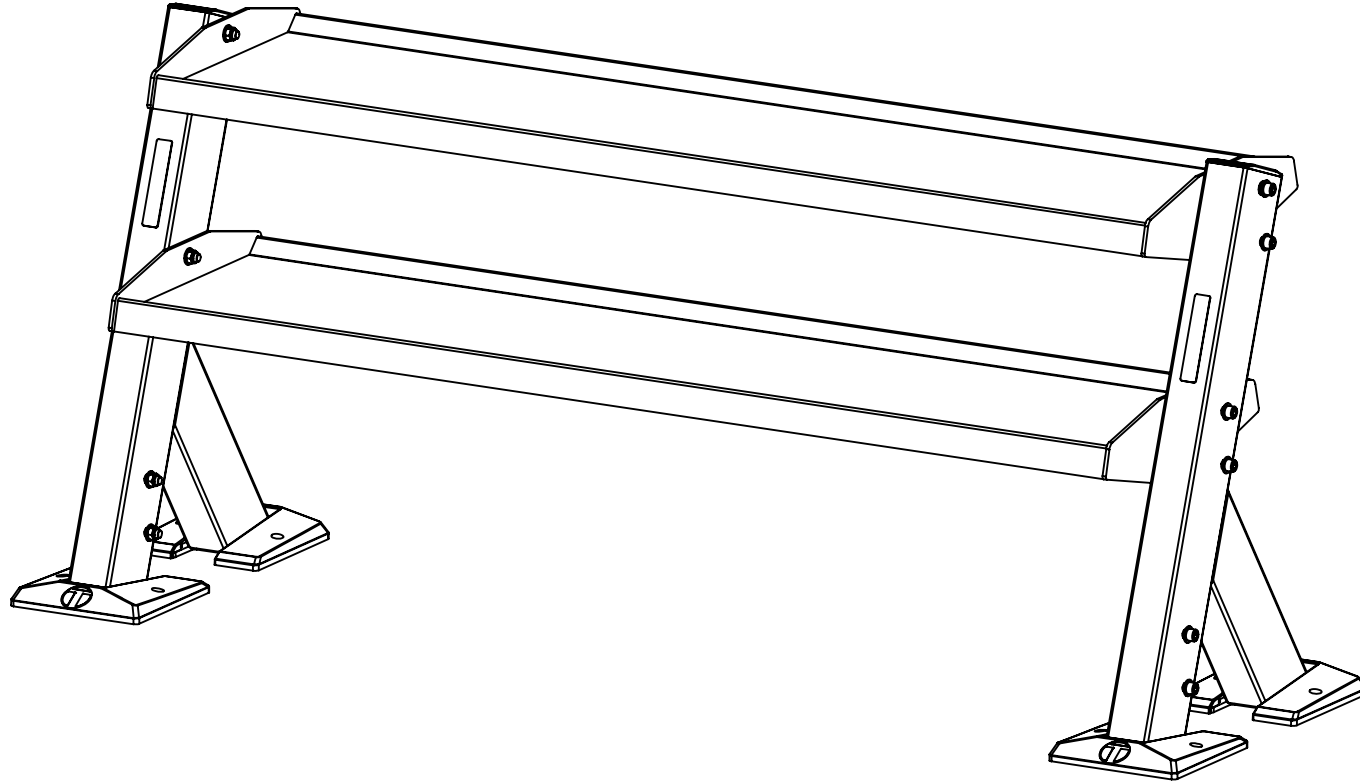
**SECURELY** tighten all bolt connections in this step.

**HARDWARE COVERS** can be used in place of washers in this step.

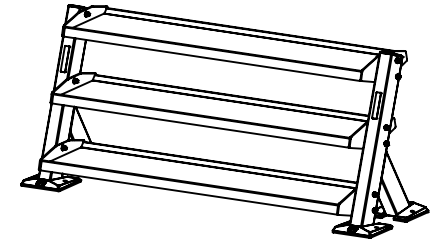


# XCREATE STORAGE RACK ASSEMBLY GUIDE

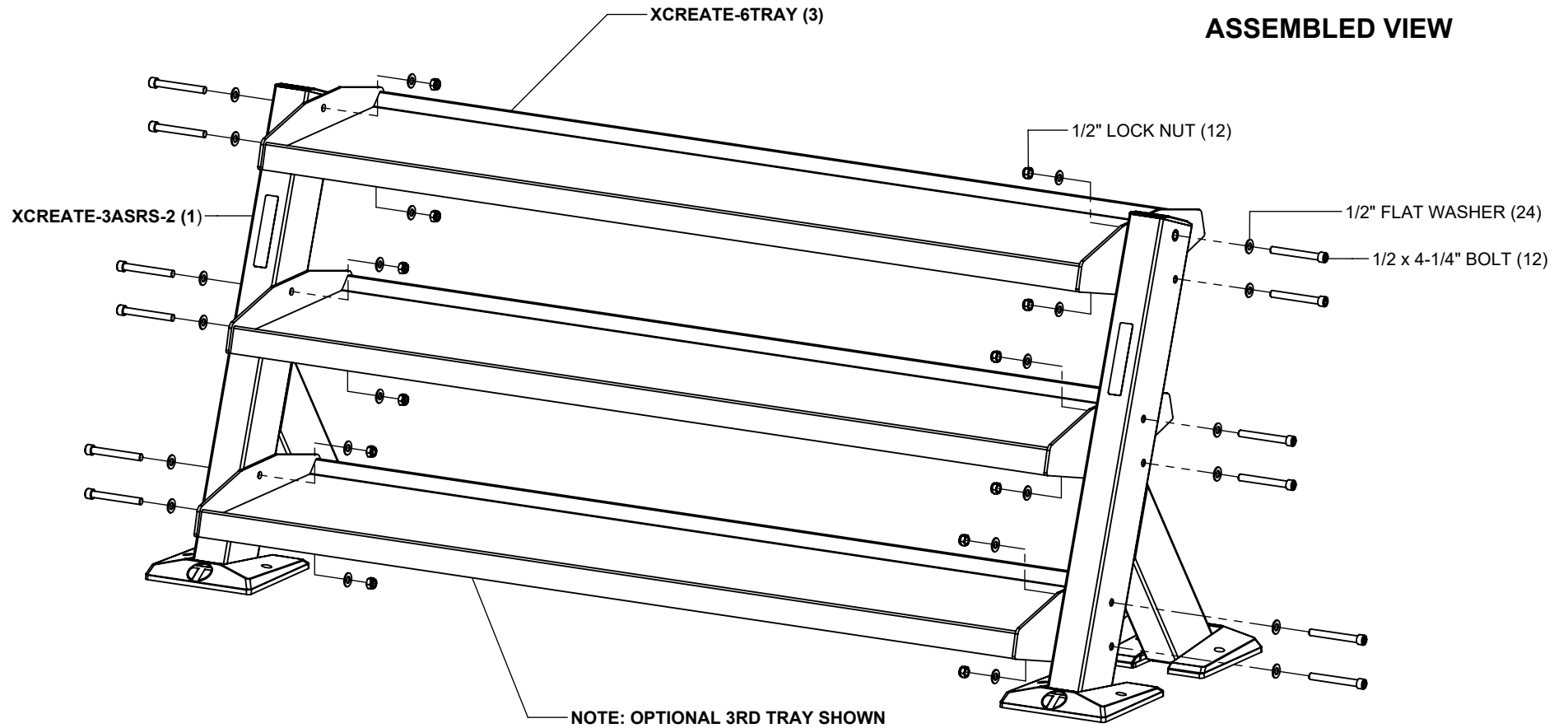
**VERSION: XC6HHDR**



# XC6HHDR - 6TRAY



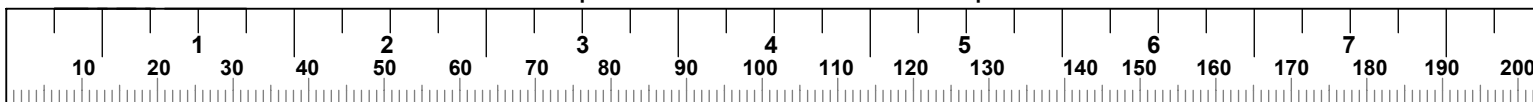
**ASSEMBLED VIEW**



**NOTE:**

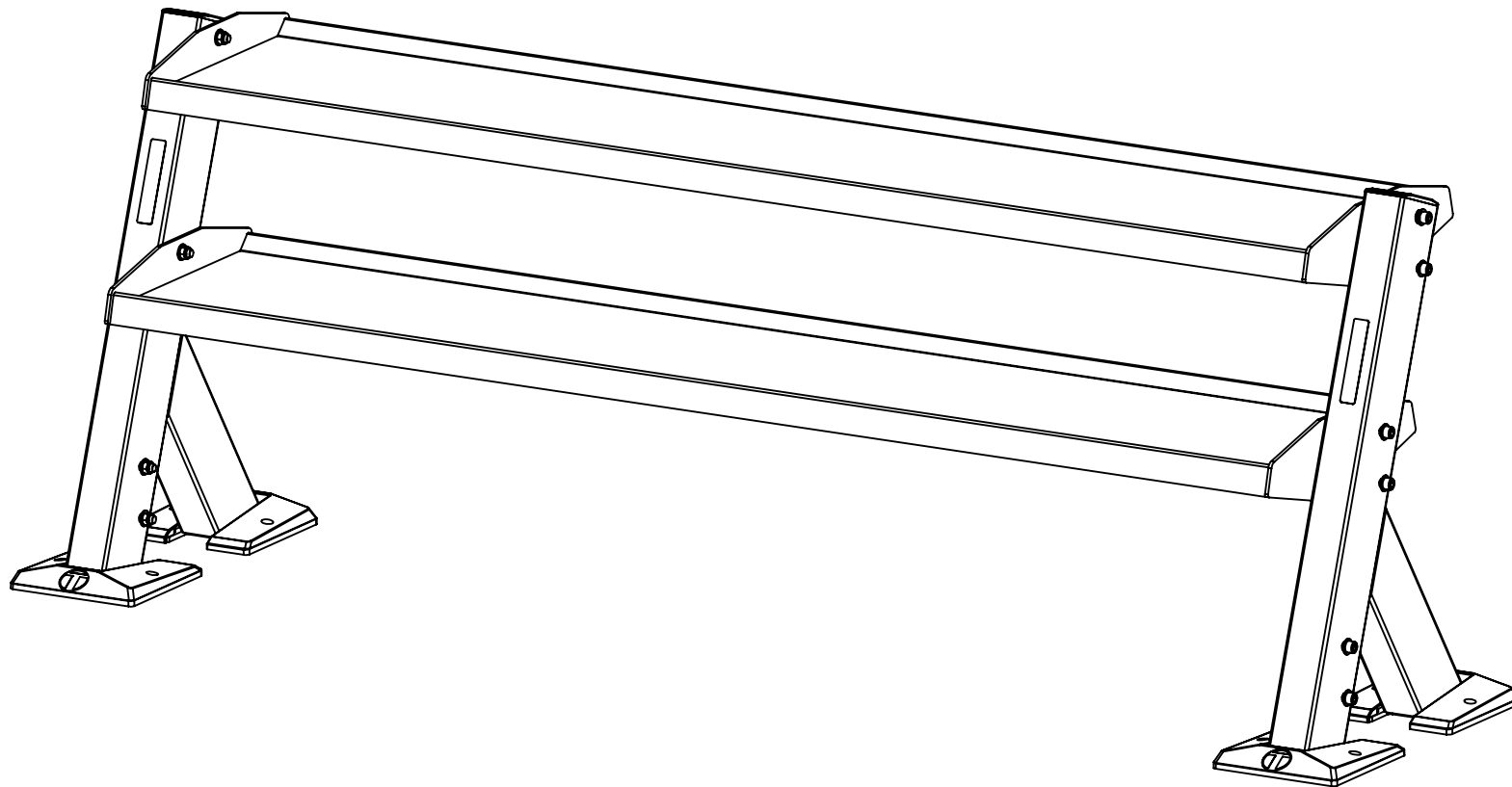
**SECURELY** tighten all bolt connections in this step.

**HARDWARE COVERS** can be used in place of washers in this step.

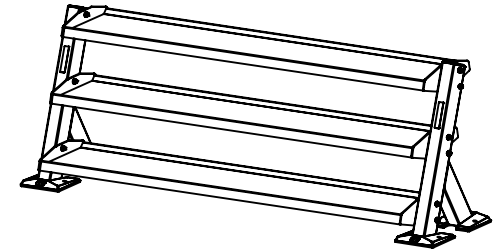


# XCREATE STORAGE RACK ASSEMBLY GUIDE

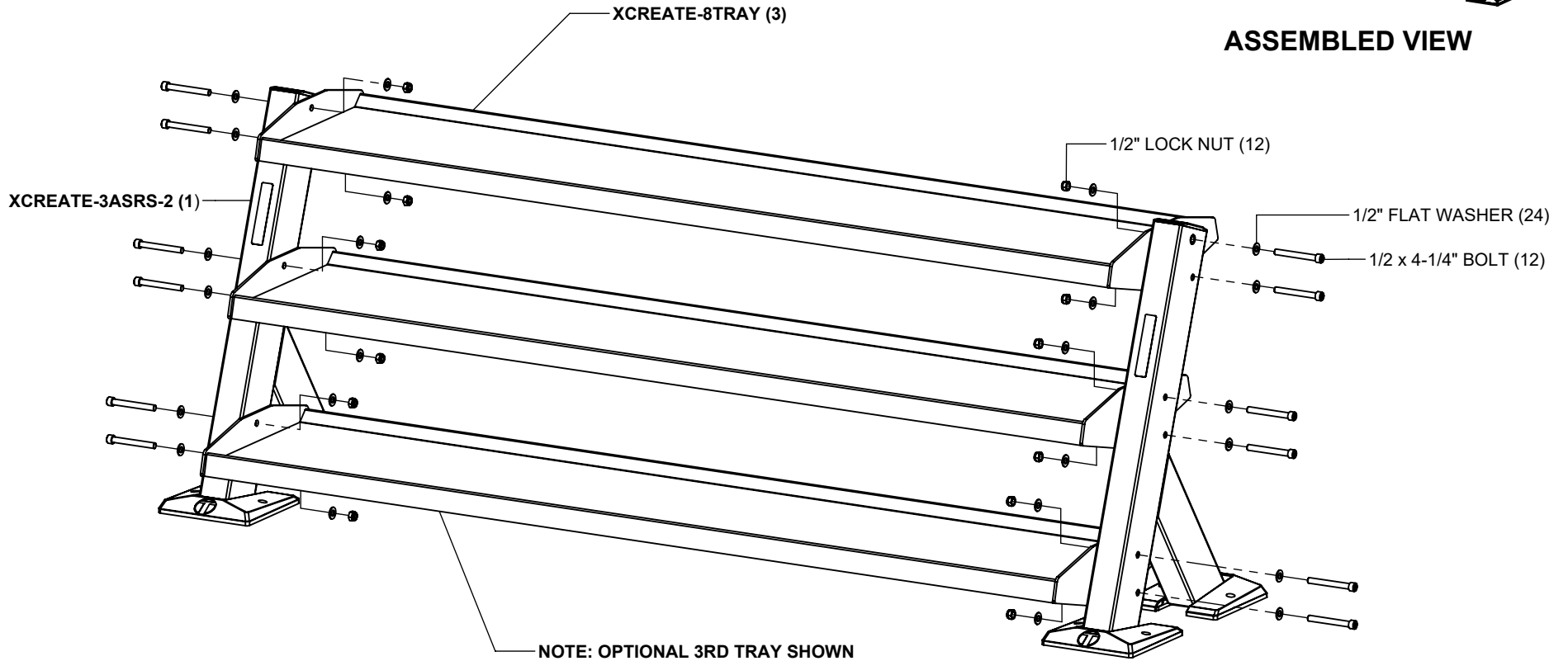
**VERSION: XC8HHDR**



# XC8HHDR - 8TRAY



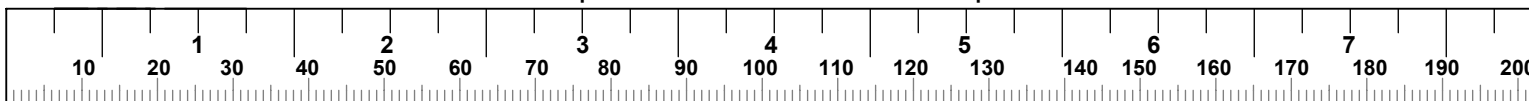
**ASSEMBLED VIEW**



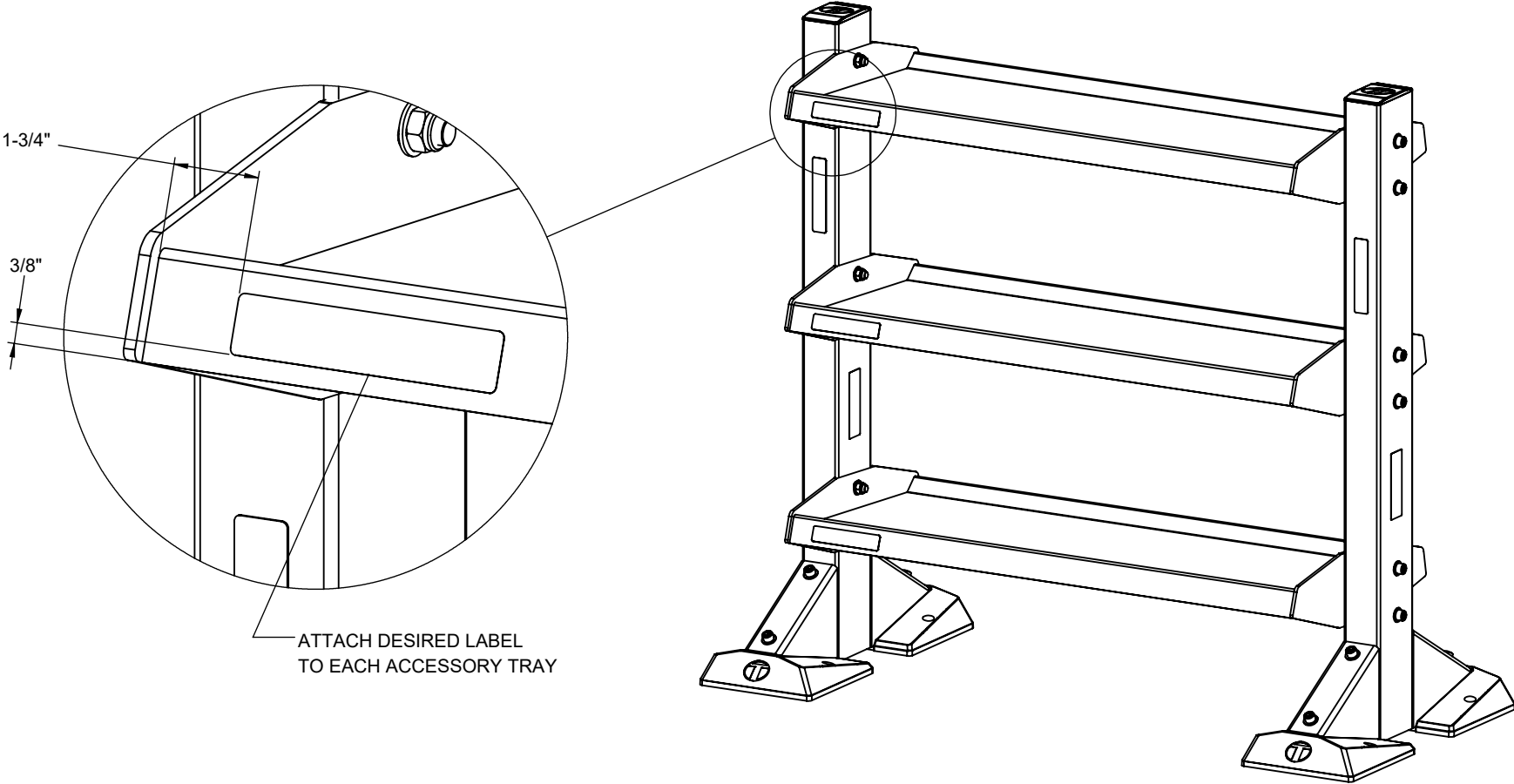
**NOTE:**

**SECURELY** tighten all bolt connections in this step.

**HARDWARE COVERS** can be used in place of washers in this step.



**OPTIONAL LABELS**

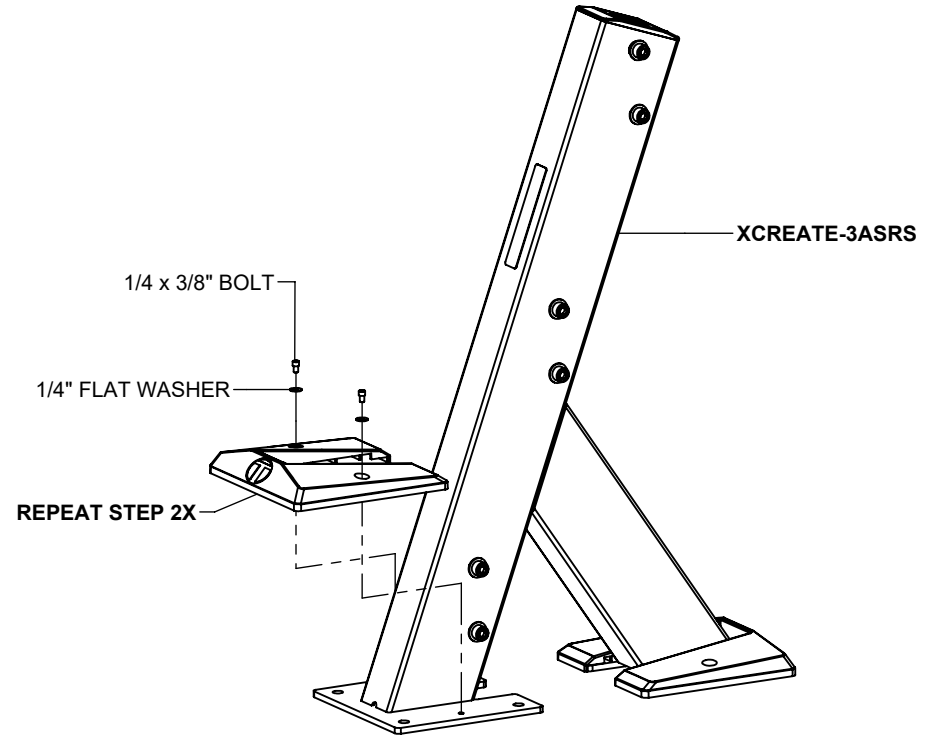
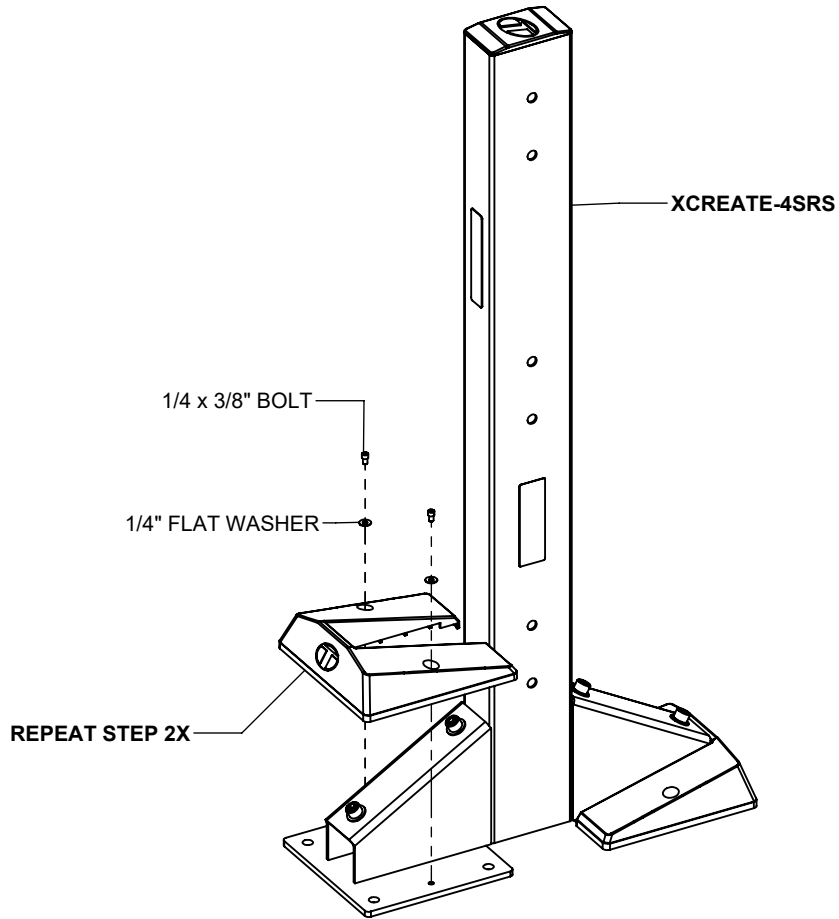


**NOTE:**

If you are a professional contractor installing this system for a facility, leave these labels and instruction with manager or inquire what label to attach to each accessory tray.



# XCREATE-URETHANE BOOTS

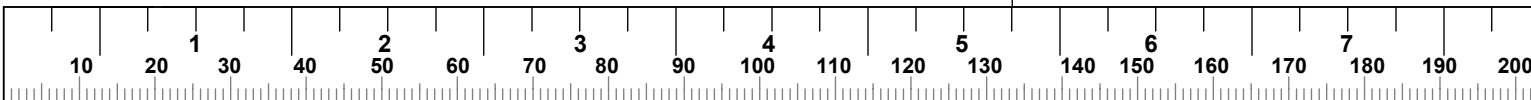


## **NOTE:**

The URETHANE BOOTS and hardware are packaged with the upright boxes.

**SECURELY** tighten bolt connections in this step.

Repeat this step for every upright.



Torque Fitness  
11201 Xeon Street NW Ste 101  
Coon Rapids, MN USA 55448

[www.torquefitness.com](http://www.torquefitness.com)  
763-754-7533 (8:30 am – 5:00 CST).

For sales: [sales@torquefitness.com](mailto:sales@torquefitness.com)  
For service: [service@torquefitness.com](mailto:service@torquefitness.com)

 <https://twitter.com/TorqueFitnessHQ>

 <https://www.instagram.com/torquefitnessusa/>

 <https://www.youtube.com/c/TorqueFitness/>

 <https://www.facebook.com/torquefitness/>