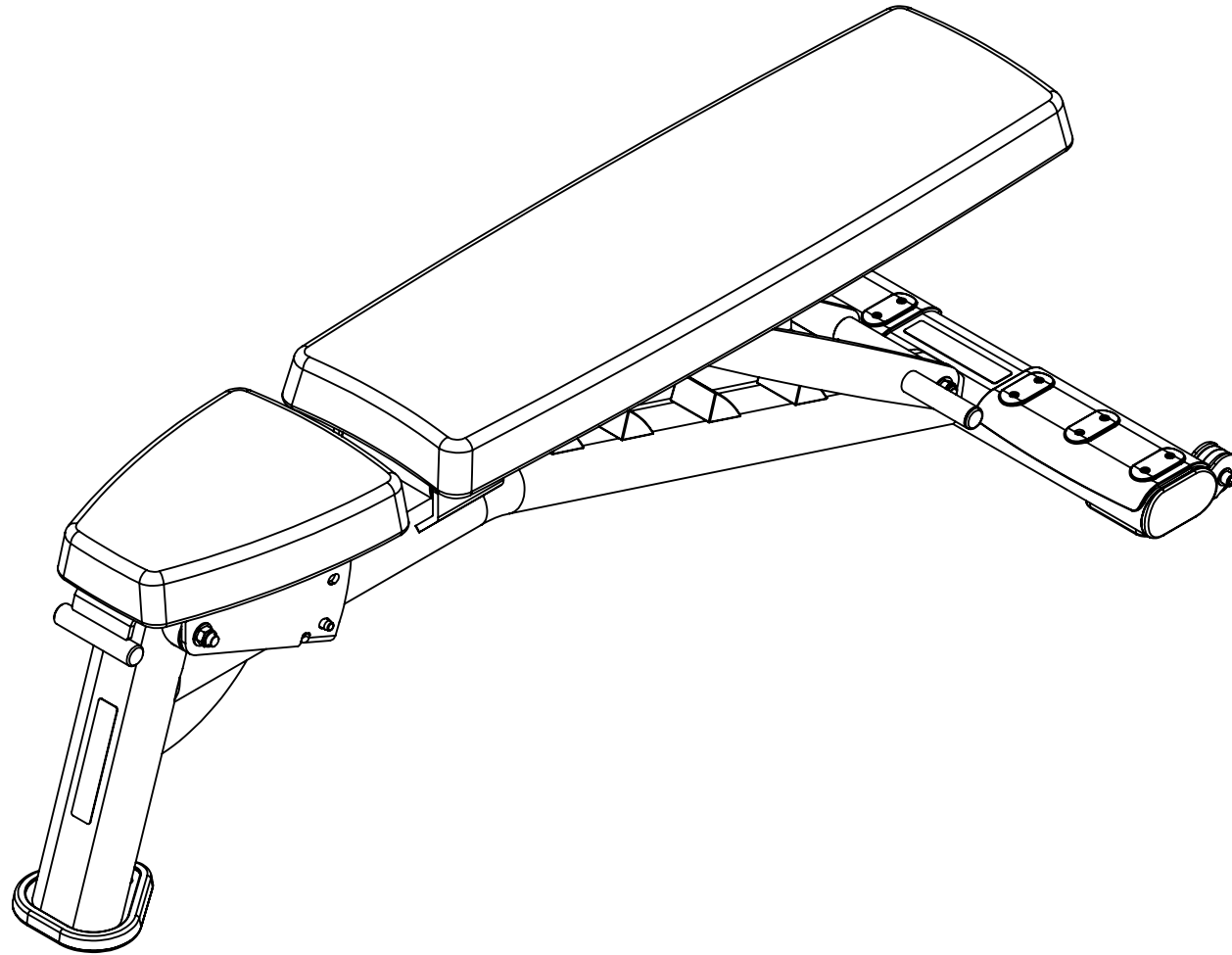


FLAT INCLINE BENCH ASSEMBLY GUIDE

VERSION: XFIB-104

PART #: 5456801-B



TORQUE USA

TABLE OF CONTENTS

Important safety instructions:

- Important safety instructions for using equipment: **Page 3**
- Important safety instructions for assembling equipment: **Page 3**
- Obtaining service: **Page 3**

General Notes:

- Unpacking equipment: **Page 4**
- Tools Required: **Page 4**
- Optional equipment: **Page 4**
- Assembly tips: **Page 4**

Parts List: **Page 5**

Assembly Instructions: **Pages 6 - 8**

Anchoring: **Page 9**

Adjustments and Maintenance:

- Adjustment instructions: **Page 10**
- Maintenance: **Page 10**

WARNING !

Important safety instructions for using Equipment

There is a risk assumed by the individuals who use this type of equipment. To minimize risk, you must follow these precautions:

1. **READ ALL INSTRUCTIONS AND WARNING LABELS COMPLETELY PRIOR TO ANY USE OR ASSEMBLY. Failure to read and follow the safety instructions and warnings within the Assembly and Maintenance Guide may result in possible serious injury or death. Use this product only for the intended uses described in the Assembly and Maintenance Guide and exercise booklet. DO NOT** modify equipment in anyway. **Any use other than as intended or modification of product will void any and all product warranties.**
2. Consult your physician before starting any exercise program. Warm up properly before engaging in resistance training. Stop exercising and consult a physician **immediately** if you experience dizziness, nausea, faintness, chest pain, shortness of breath or any other abnormal symptoms during use of this equipment.
3. Certain exercise equipment and/or equipment may not be suitable or appropriate for pregnant women, people with heart conditions, balance impairment or other pre-existing health problems. Persons with disabilities should consult a physician and obtain medical approval prior to using this product and should only use this product under close supervision. **Failure to comply with these instructions will void any and all product warranties.**
4. Carefully inspect equipment before each use. Replace all parts at the first sign of wear or damage. Tighten all loose connections. Pay special attention to cable ends and connections. Do not disassemble, remove any parts or components or otherwise attempt to repair this product. **DO NOT** use product if product appears damaged. **DO NOT** attempt to fix a broken or jammed machine. Contact Torque Fitness Customer service at: 763-754-7533 (8:30 am - 5:00 pm CST). **Failure to comply with these instructions will void any and all product warranties.**
5. Keep body and clothing clear of all moving parts. Do not put any foreign on or near this product when in use. Wear comfortable clothing which does not impair freedom of movement. Do not wear clothing which is too loose and could get caught in moving parts.
6. Make sure all spring pins are fully engaged before using the product.
7. Children and pets must not be allowed near this machine. Supervise teenagers. This product is not a toy.
8. If unsure of proper use of this product, contact Torque Fitness Customer service at: 763-754-7533 (8:30 am - 5:00 pm CST). or 1-877-TORQUE5 (1-866-664-9894). www.service@torquefitness.com

Important Safety Instructions for Assembling Equipment

1. **Assistance is required. Torque Fitness recommends using more than one person to assemble this equipment.**
2. This product must be assembled on a flat, level surface to assure its proper function. Locate the unit a few inches from walls or furniture to allow easy access during assembly and use.
3. Read each numbered step in Assembly and Maintenance Guide and follow the steps in sequence. Skipping ahead may result in damage to the equipment and may require components to be disassembled.
4. Wear proper attire during the assembly process. Do not wear clothing which is too loose or open toed shoes.

Obtaining Service

Do not attempt to service the product yourself except for maintenance tasks described in this manual.

Refer to the Adjustments and Maintenance section at the back of this manual and the included workout booklet for information on product operation and service.

For further information, visit our website at www.torquefitness.com or contact us at www.service@torquefitness.com

If you call or email customer service, have the model number and serial number(s) available. The location of the model and serial numbers are indicated in the back of this manual. For future reference, write the model and serial number(s) in the space below.

Model Number: _____

Serial Number(s): _____

GENERAL NOTES

CAUTION: More than one person is required to assemble this unit. Do not attempt to assemble by yourself.

Unpacking the Equipment

This product may be packaged and shipped in multiple boxes. Parts from all of the boxes are required for various steps during the assembly process.

Carefully open each box and arrange all the parts near the area where assembly is to take place.

CAUTION: Use extreme care when cutting plastic tie wraps and package banding. A wire cutter works best for protecting yourself and the parts.

CAUTION: Some of the internal boxes may contain upholstery. Do not use a utility knife to open any boxes or the pads may be damaged.

The hardware is packed in bags. Carefully open each bag and sort them per parts list on the next page.

Before starting assembly, identify each part and hardware item as listed in the parts list on the next page. If any items are missing, contact Torque Fitness Customer service at: 763-754-7533 (8:30 am - 5:00 pm CST), or 1-877-TORQUE5 (1-866-664-9894). www.service@torquefitness.com

Note: Some items listed in the parts list may already be pre-installed on the product.

Tools Required

- Rubber mallet or hammer
- 3/4" Wrench or adjustable wrench
- Ratchet with 9/16" socket
- 9/16" box wrench
- 5/16" Allen wrench
- 3/8" Allen wrench
- Wire snips (to cut plastic tie wraps)
- Scissors or utility knife (to cut hardware bags)
- Tape measure

Optional Equipment

Optional equipment may be available for this product.

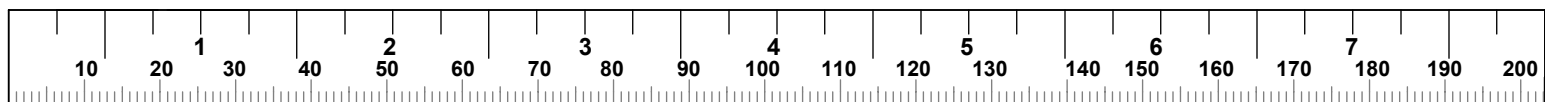
Follow the instructions included with the optional equipment to assemble it to the base product.

Assembly Tips

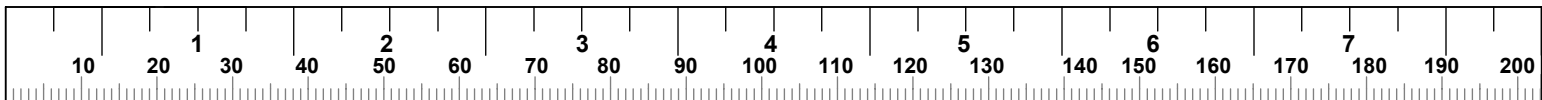
- In a continual effort to improve our products, specifications are subject to change.
- A 6" scale is provided at the bottom of every page. To correctly measure the bolts, measure from underneath the bolt head to the end of the bolt as illustrated below.
- Read all notes on each page before beginning that step.
- Some of the items shown in the assembly steps may already be pre-assembled.

Assembly Tips Continued

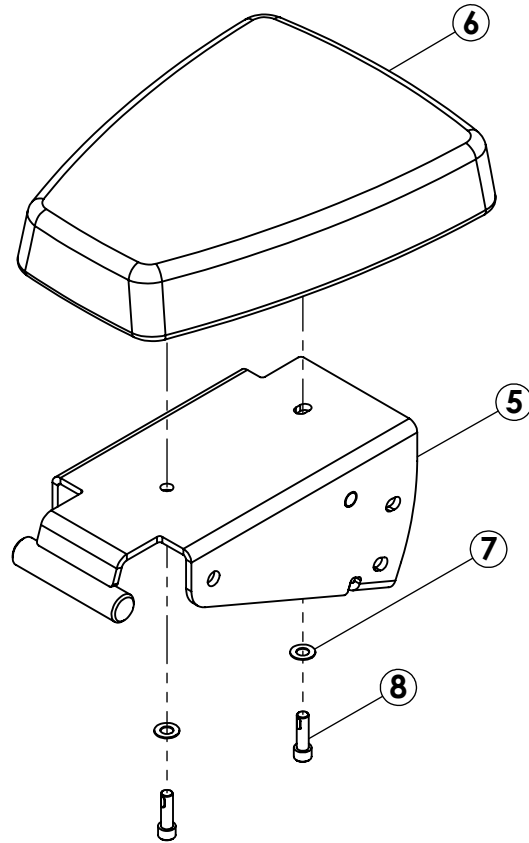
- **Note:** Some items have been hidden for assembly clarity.
- **Note:** Some pre-assembled parts may need to be temporarily removed in order to complete the step. Follow the instructions or damage to the product could occur.
- Some parts may have extra holes that will not be used. Use only the holes depicted in the instructions.
- Certain parts make reference to the right and left side of the machine. In order to determine the left and right side, stand facing machine.
- Provide ample space around the product for ease of assembly.
- **DO NOT** fully tighten any connections until instructed to do so. This will help insure that the alignment of all of the parts will be correct.
- Insert all bolts in the direction indicated in the instructions. Failure to do so may result in clearance issues and will degrade the aesthetics of the product.
- Carefully follow instructions for all pivot points. In general, primary rotating parts have connections that should be securely tightened, while secondary connections need to be loosen 1/4 turn.



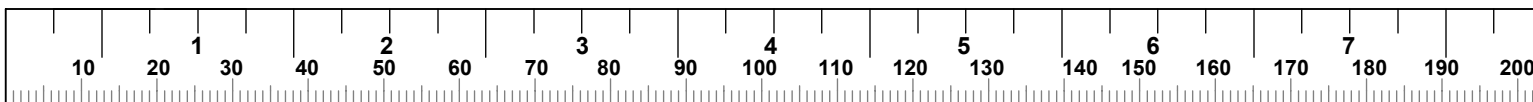
ITEM NO.	PART NO.	DESCRIPTION	QTY.
1	5456901	ASSY, BENCH	1
2	54519PA	PTD ASSY, BENCH FRAME	1
3	54539PA	PTD ASSY, BACK PAD SUPPORT	1
4	54541PA	PTD ASSY, BACK PAD ADJUST	1
5	5454601	WLDMT, SEAT SUPPORT	1
6	5454901	PAD, TAPPERED SEAT	1
7	2001101	WASHER, FLAT 3/8 SAE ST ZN	5
8	2009404	BOLT, 3/8-16 X 1-1/4" (32mm) ST HT SOCKET HEAD W/NP	2
9	2001301	WASHER, FLAT 1/2 SAE ST ZN	2
10	2005827	BOLT, 1/2-13 X 7" (178mm) SOCKET HEAD	1
11	2001401	NUT, 1/2-13 LK ST ZN	1
12	5408201	PAD, BACK	1
13	2009413	BOLT, 3/8-16 X 3-1/2" (89mm) ST HT SOCKET HEAD W/NP	3



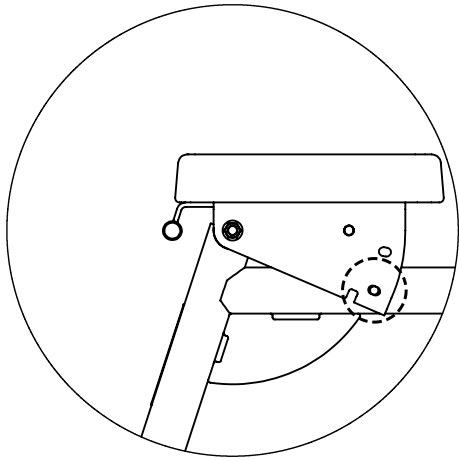
STEP 1



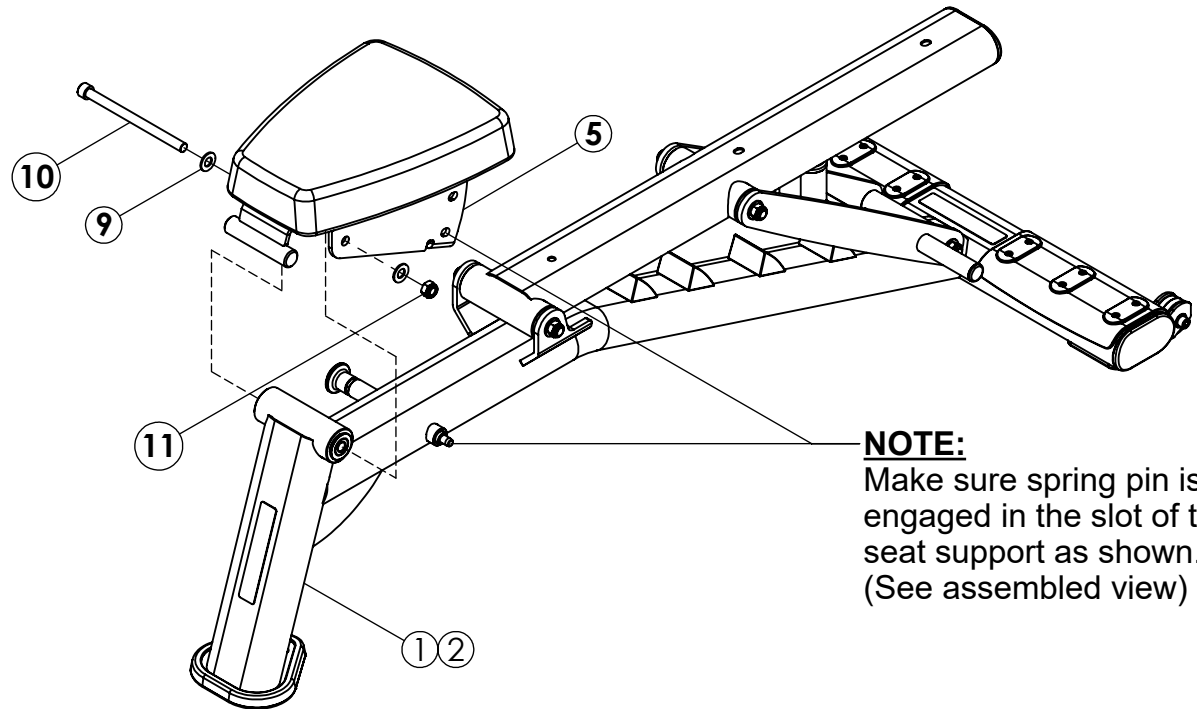
NOTE:
Securely tighten all bolt connections in this step.



STEP 2



Assembled View

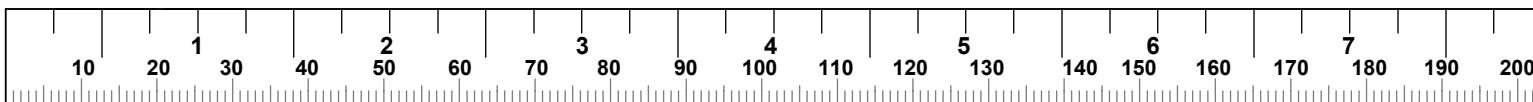


NOTE:

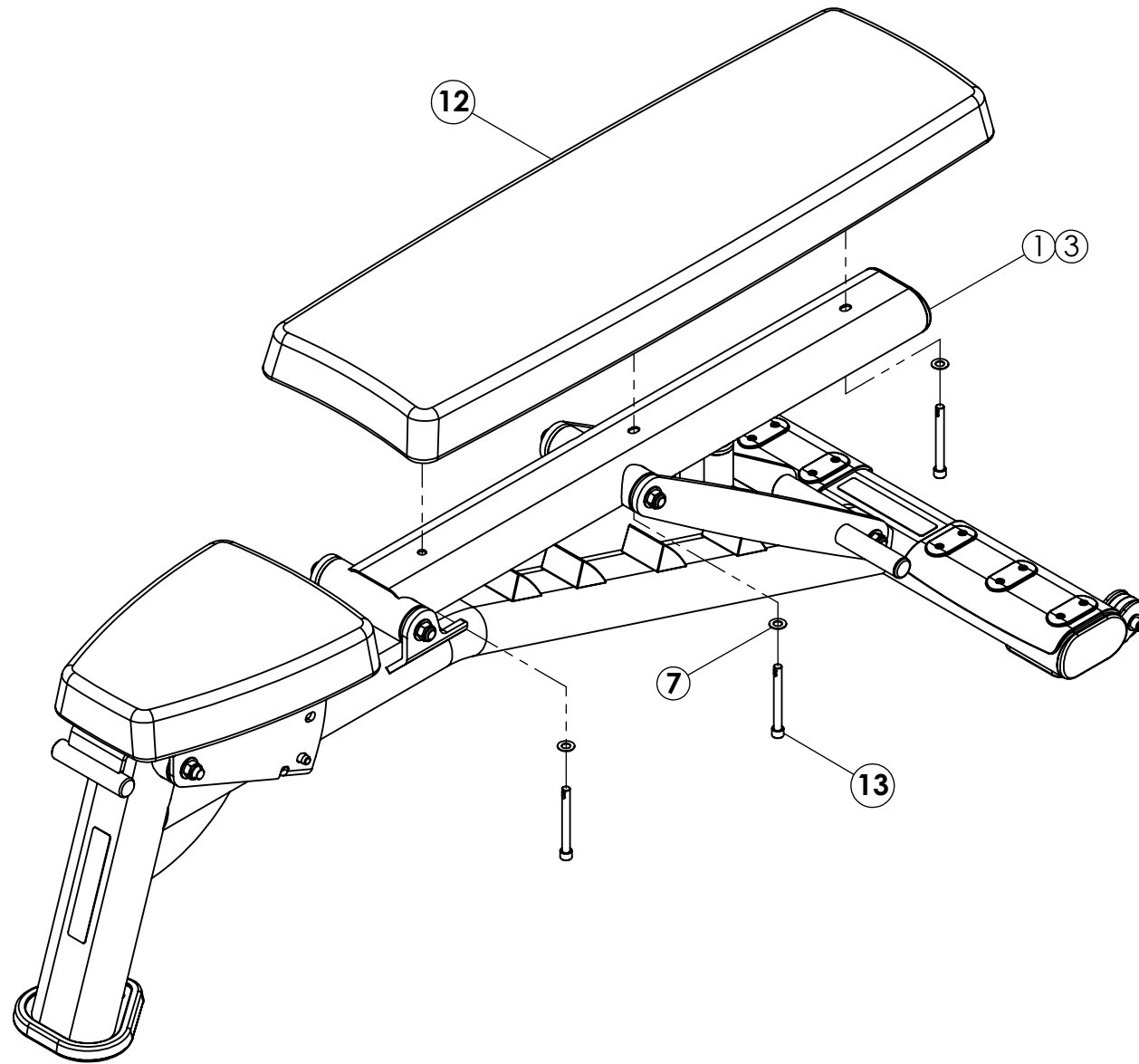
Make sure spring pin is engaged in the slot of the seat support as shown. (See assembled view)

NOTE

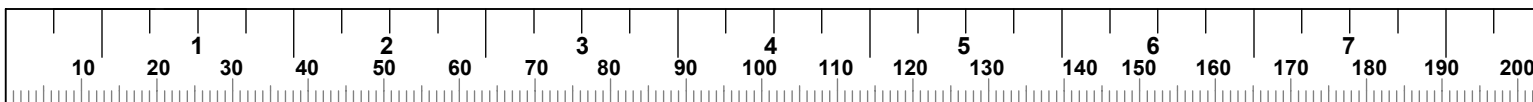
Securely tighten all bolt connections in this step.



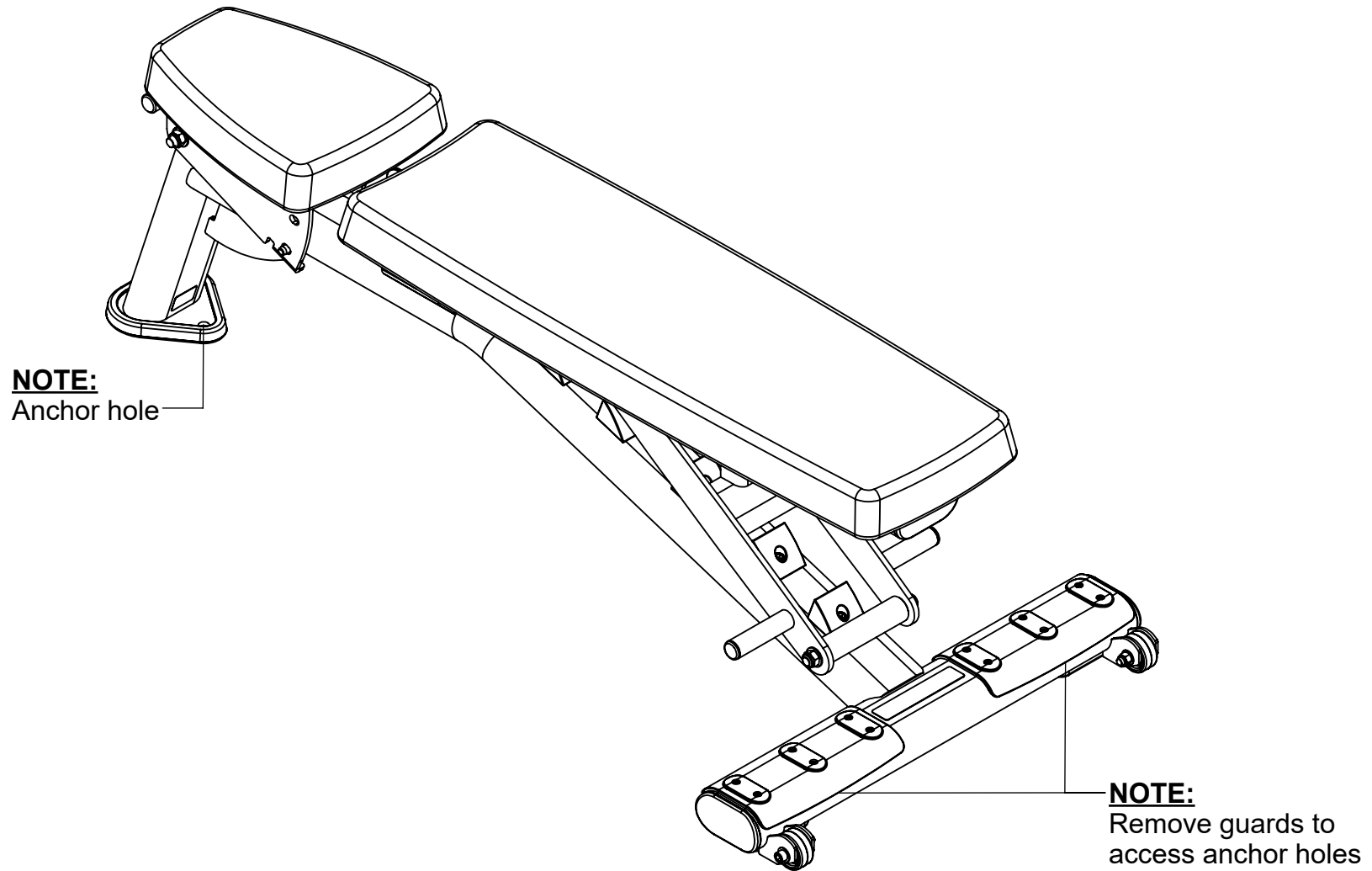
STEP 3



NOTE:
Securely tighten all bolt connections in this step.



STEP 4 (OPTIONAL)



NOTE:
If the bench is required to be anchored to the floor, use anchor holes in the bench as shown above. **Consult a professional contractor for the actual anchoring of the bench.**

STEP 5

MAINTENANCE:

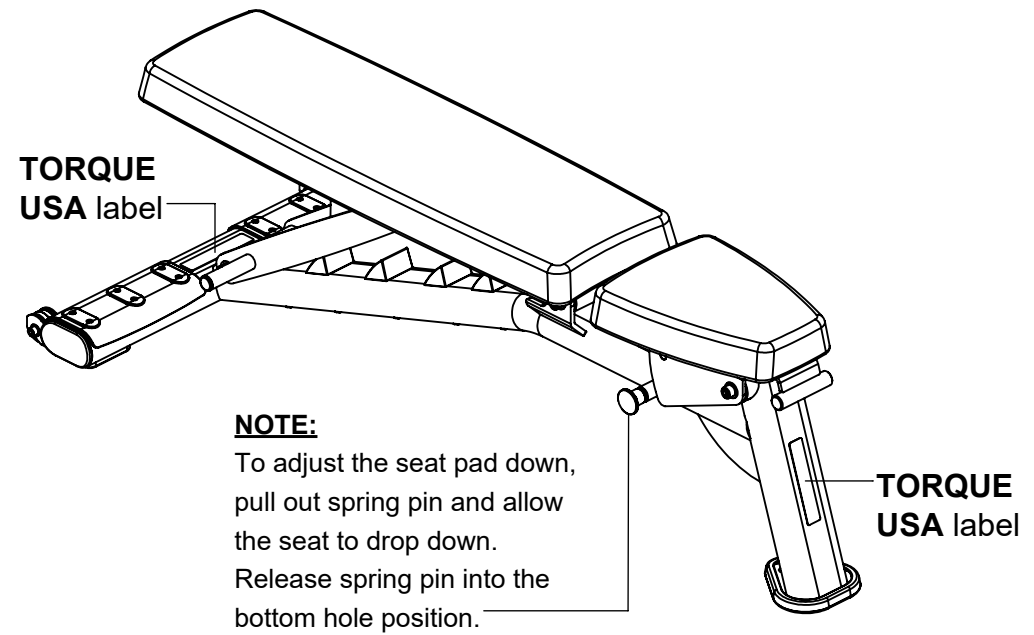
NUTS/BOLTS: Tighten and/or adjust as needed.

SPRING PINS: Check that spring pin fully engages the hole when released. Tighten spring pin nut as needed.

FRAME: Wipe down with a damp rag.

UPHOLSTERY: Wipe down and dry after each use. Clean and condition periodically.

For customer service contact Torque Fitness Customer service at: 763-754-7533 (8:30 am - 5:00 pm CST), or 1-877-TORQUE5 (1-866-664-9894). www.service@torquefitness.com



NOTE:

To adjust back pad up, simply lift up on the back pad to the desired angle block on bench.

NOTE:

Back pad adjusts in 15 degree increments. First position 15, then 30, 45, 60 and 75.

