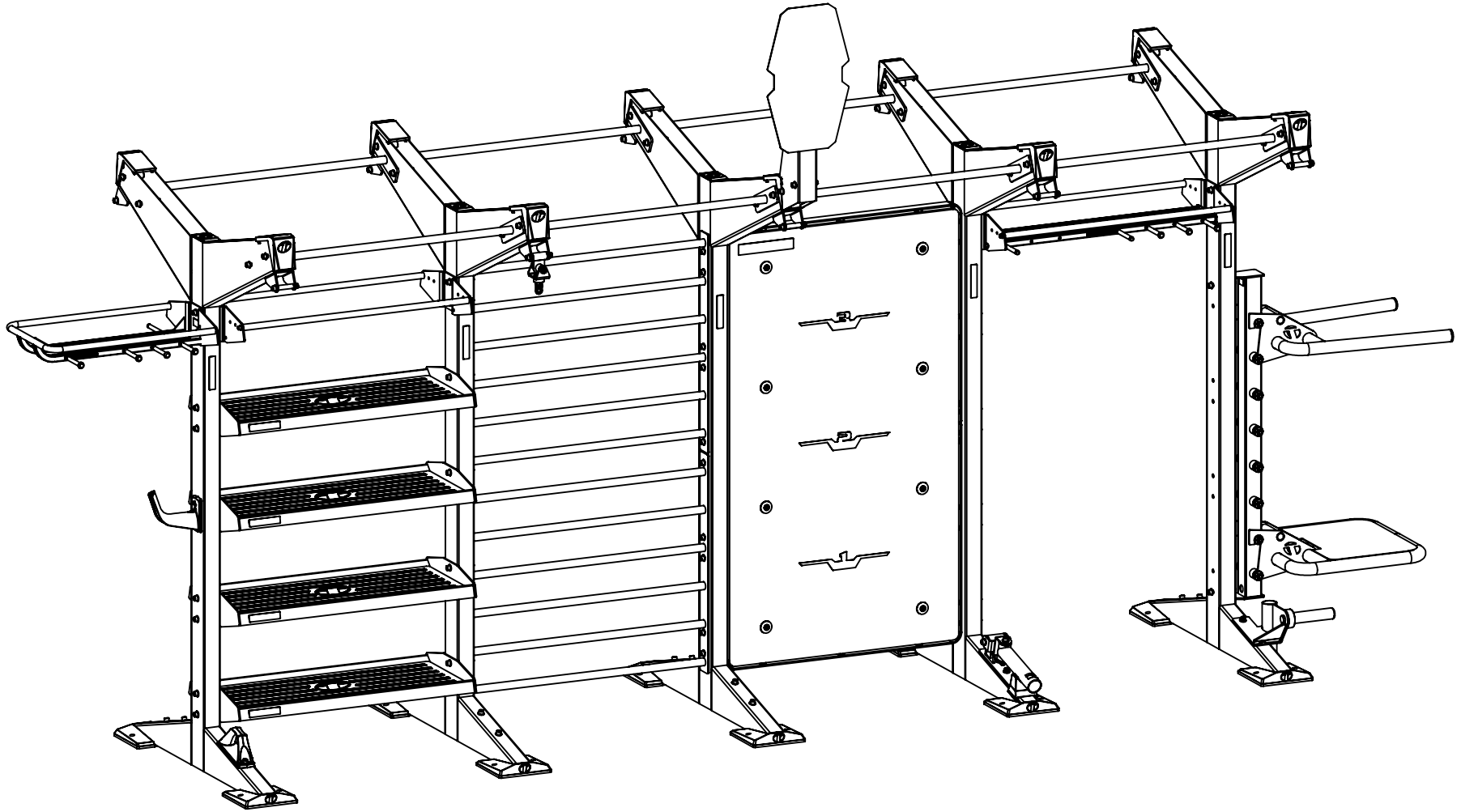


XCREATE CENTER SPACE ASSEMBLY GUIDE

VERSION: XCCS

PART #: 5618501-H



TORQUE USA

TABLE OF CONTENTS

1. HARDWARE COVER FINISH KIT: **PAGE 3**
2. ONE MODULE ASSEMBLY: **PAGE 4**
3. MODULE ASSEMBLY:
 - 2 SIDED 8' UPRIGHT EXTENSION MODULE: **PAGES 7-8**
 - 4' / 6' ACCESSORY STORAGE MODULE: **PAGES 9-14**
 - 4' STALL BAR MODULE: **PAGES 15-16**
 - 4' / 6' UNIVERSAL BALL & HANGING STORAGE MODULE: **PAGES 17-22**
 - 4' BALL TARGET WALL MODULE: **PAGES 23-24**
 - BALL TARGET WALL REVERSE SIDE: **PAGES 25-26**
 - 8' OLYMPIC LIFTING STATION MODULE: **PAGES 27-31**
 - 4' / 6' ACCESSORY & BUMPER BOOKSHELF STORAGE MODULE: **PAGES 32-33**
 - 4' ACCESSORY & WEIGHT STORAGE MODULE: **PAGES 34-37**
 - 4' TANK DOCKING MODULE: **PAGES 38-47**
 - 4' X 5 BARBELL STORAGE MODULE: **PAGES 48-51**
 - 4' X 10 BARBELL STORAGE MODULE: **PAGES 52-55**
 - 4' 2 SIDED X 10 BARBELL STORAGE MODULE: **PAGES 56-59**
 - 4' 2 SIDED X 20 BARBELL STORAGE MODULE: **PAGES 60-63**
 - 4' MONITOR MOUNT & STORAGE MODULE: **PAGES 64-67**
 - HANGING STORAGE & ACCESSORY PINS: **PAGE 68**
 - ACCESSORY TRAY LABELS: **PAGES 69**
4. ATTACHMENT ASSEMBLY
 - BALL & HANGING STORAGE EXTENSION: **PAGE 73**
 - BATTLE ROPE ANCHOR: **PAGE 74**
 - HANGING STORAGE HOOK: **PAGE 75**
 - DOUBLE PLAY: **PAGE 76**
 - HORIZONTAL MOUNT GROUND ROTATIONAL TRAINER: **PAGE 77**
 - 3-DIMENSIONAL SWIVEL: **PAGES 78-79**
 - BALL TARGET: **PAGES 80-82**
 - RESISTANCE BAND ANCHOR: **PAGE 83**
 - VERTICAL DUMBBELL RACK 4 AND 5 PAIR: **PAGE 84**
 - 4' MULTI GRIP CROSS: **PAGE 85**
 - 4' SINGLE SIDE HORIZONTAL WEIGH STORAGE: **PAGE 86**
 - TOP BOOM EXTENSION: **PAGES 87-90**
 - ENDLESS ROPE DRUM (VERTICAL MOUNT): **PAGES 91-92**
 - ATTACHMENT ANCHOR: **PAGE 93**
 - DIP ATTACHMENT: **PAGE 94**
 - PLYO STEP: **PAGE 95**
 - ATTACHMENT EXTENSION: **PAGES 96-97**

5. ATTACHMENT ASSEMBLY CONTINUED
 - ATTACHMENT EXTENSION & 3 DIMENSIONAL SWIVEL W/MOUNT: **PAGE 98**
 - ATTACHMENT EXTENSION & ENDLESS ROPE DRUM: **PAGES 99-100**
 - ENDLESS ROPE TRAINER (VERTICAL MOUNT): **PAGES 101-102**
 - ENDLESS ROPE TRAINER & ATTACHMENT EXTENSION: **PAGES 103-105**
 - BOOM MOUNT PAGES: **106-107**
 - ENDLESS ROPE TRAINER & BOOM MOUNT: **PAGE 108**
6. ANCHORING: **PAGE 109**
7. URETHANE BOOT: **PAGE 110**

NOTE:

X-CREATE Center Space Systems can be customized in countless ways. This manual provides instructions for assembling base units, module options and attachment options. If you worked with Torque X-Team Design during the purchasing process, please request a Bill of Material Drawing to reference your exact set-up. For assistance, contact www.sales@torquefitness.com or call (763) 754-7533; Toll free in USA (877) 867-7854.

NOTE:

When assembling any X-CREATE System that is longer than one module wide, the hardware will be shared between two side by side modules and pull-up bars. It is recommended to keep all bolt connections loose until the base system and all of the module stations have been assembled. Securely tighten all frame connections at this time, and then proceed to the attachment options. Attachment options can be securely tightened as they are assembled.

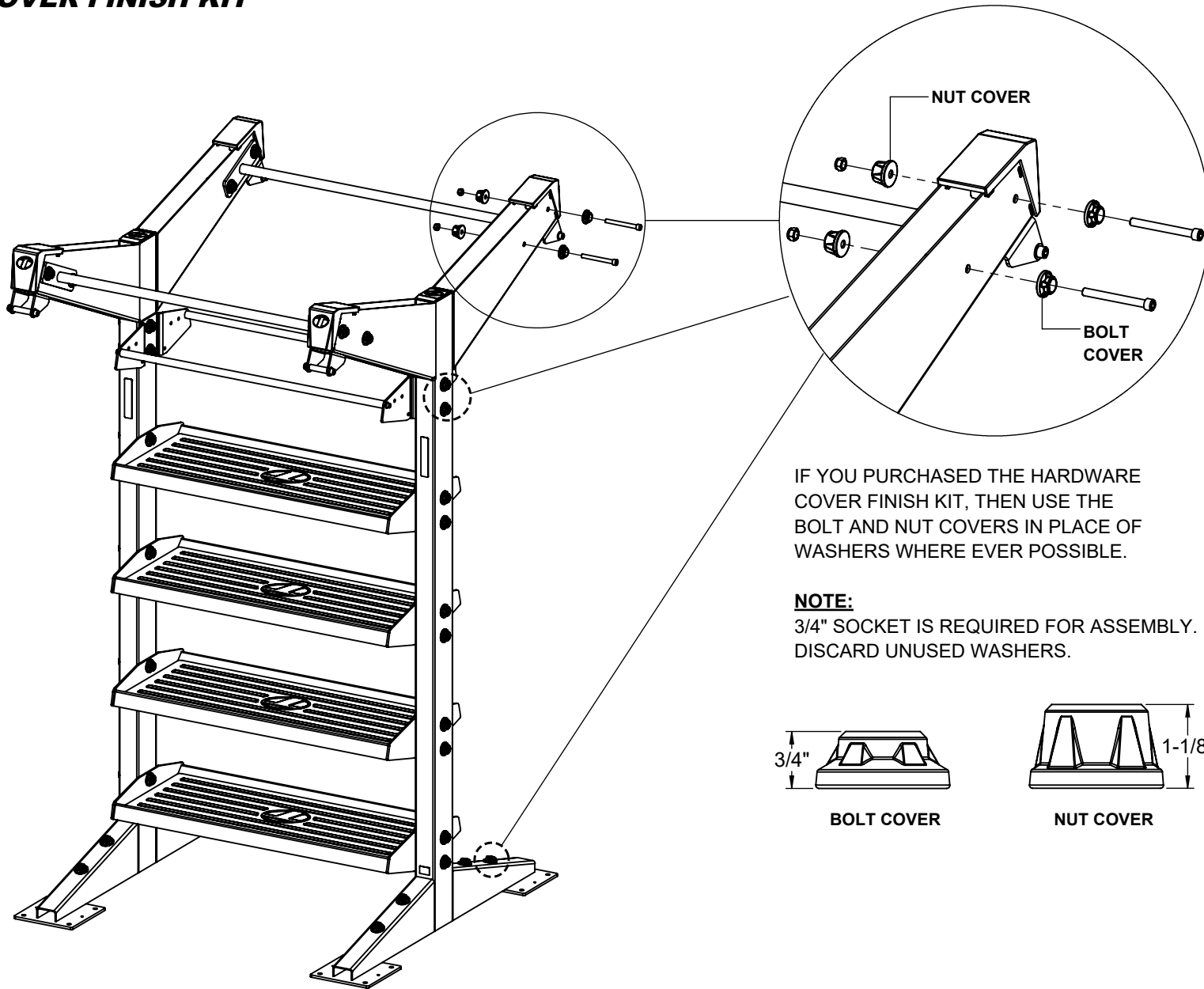
TOOLS FOR ASSEMBLY:

- 3/8" ALLEN WRENCH
- 5/16" ALLEN WRENCH
- 3/16" ALLEN WRENCH
- 3/4" WRENCH OR SOCKET
- 9/16" WRENCH OR SOCKET
- 1/2" WRENCH OR SOCKET
- RUBBER MALLET

WARNING!

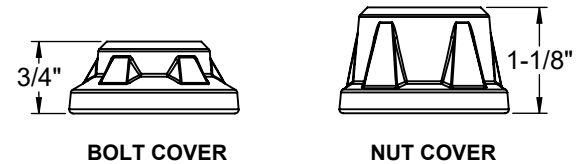
ALL X-CREATE ARE REQUIRED TO BE ANCHORED TO THE FLOOR TO PREVENT ROCKING OR TIPPING DURING USE.

**XHCFK
HARDWARE COVER FINISH KIT**



IF YOU PURCHASED THE HARDWARE COVER FINISH KIT, THEN USE THE BOLT AND NUT COVERS IN PLACE OF WASHERS WHERE EVER POSSIBLE.

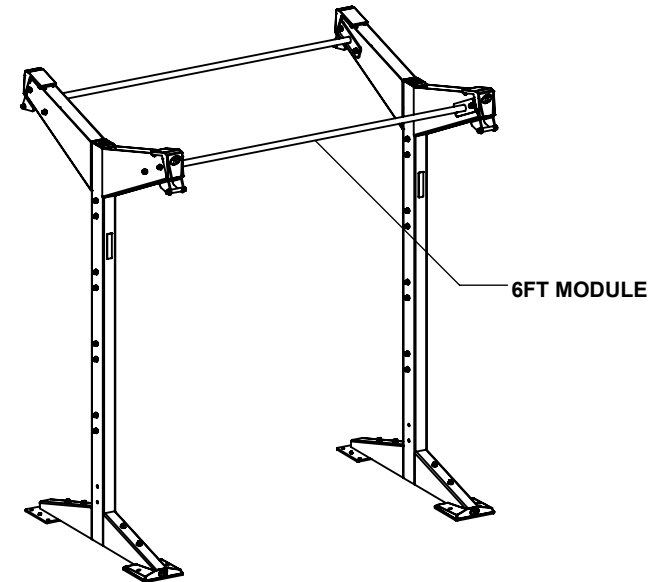
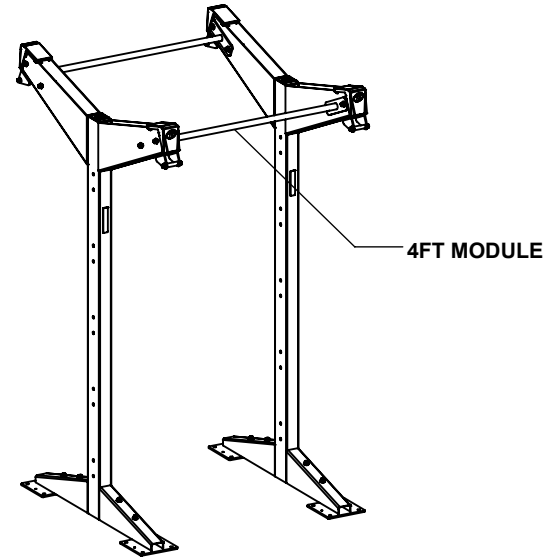
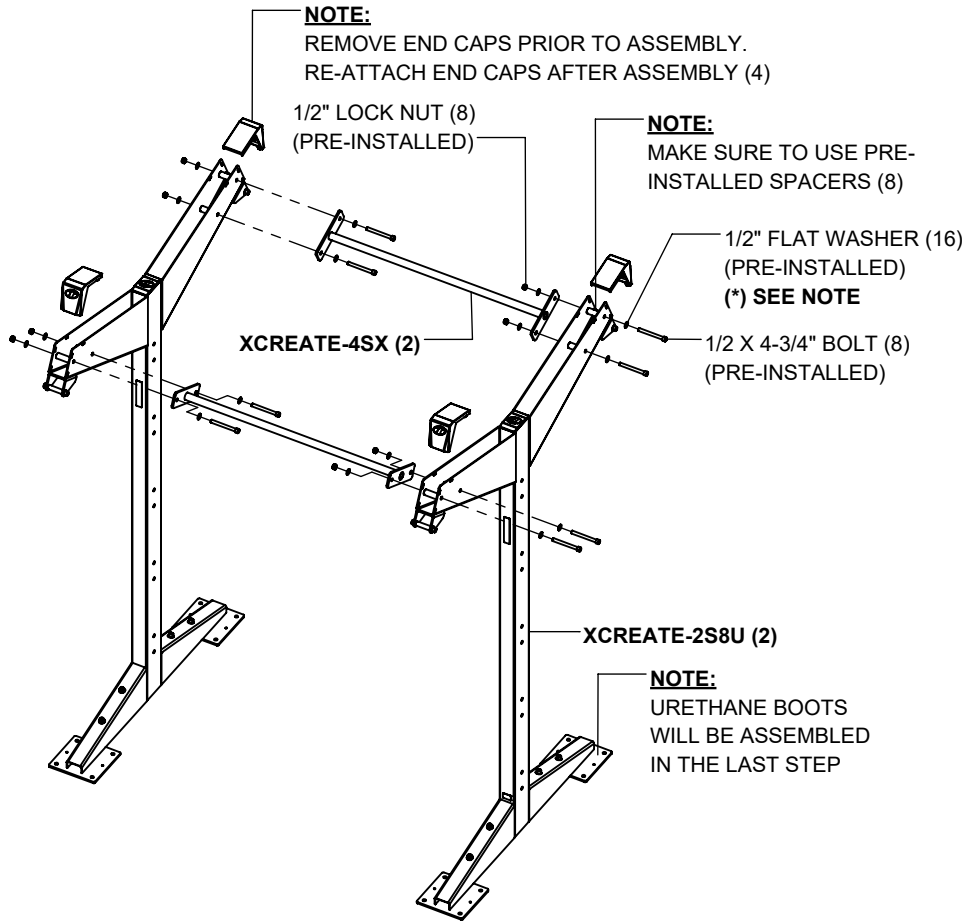
NOTE:
3/4" SOCKET IS REQUIRED FOR ASSEMBLY.
DISCARD UNUSED WASHERS.



IMPORTANT NOTICE ABOUT HARDWARE COVERS:

The bolt and nut covers are primarily used on uprights and monkey bar connections and will not fit all assembly applications. In this case, use the flat washers included with the product.

ONE MODULE ASSEMBLY



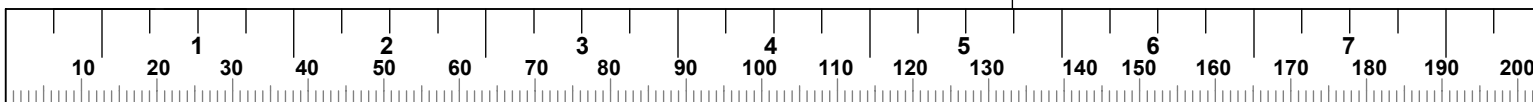
NOTES:

For the purpose of illustration the XCREATE 4ft Module is shown. The XCREATE 6ft Module is assembled the same way.

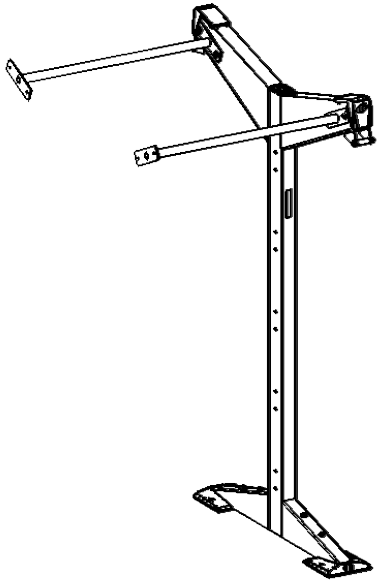
LOOSELY assemble bolt connections in this step.

(* **HARDWARE COVERS CAN** be used in place of washers in this step. **(SEE PAGE 3)**).

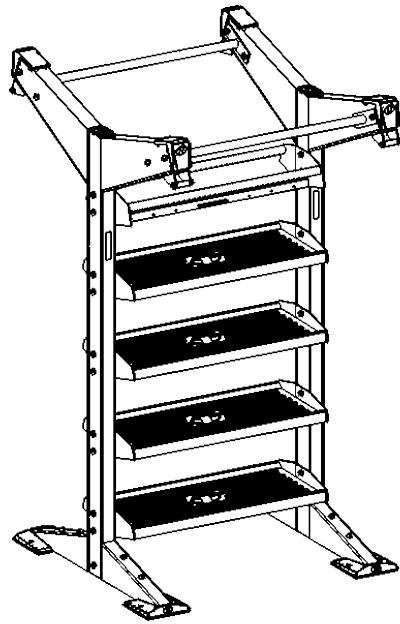
If more than one module will be assembled, refer to **PAGE 7**.



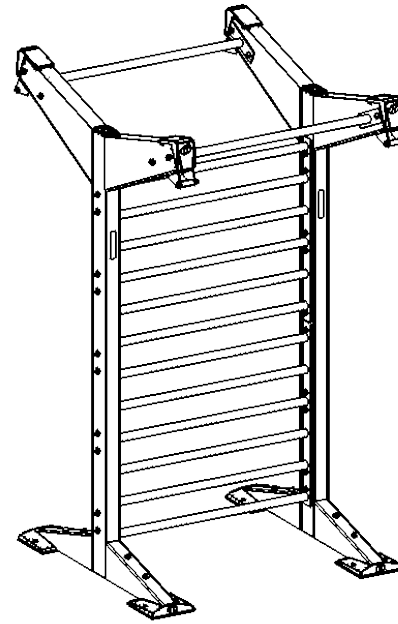
MODULES



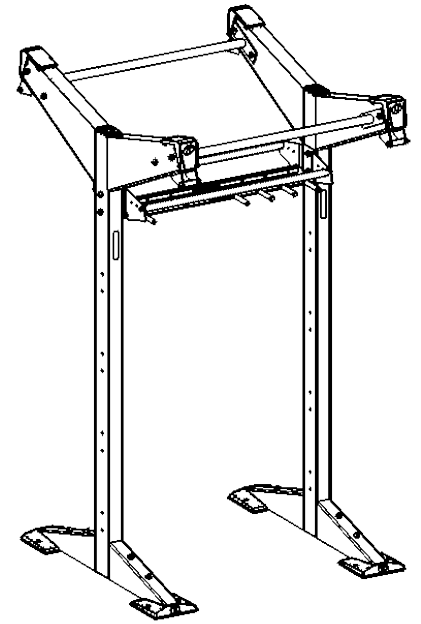
**2 SIDED 8' UPRIGHT
MODULE EXTENSION**



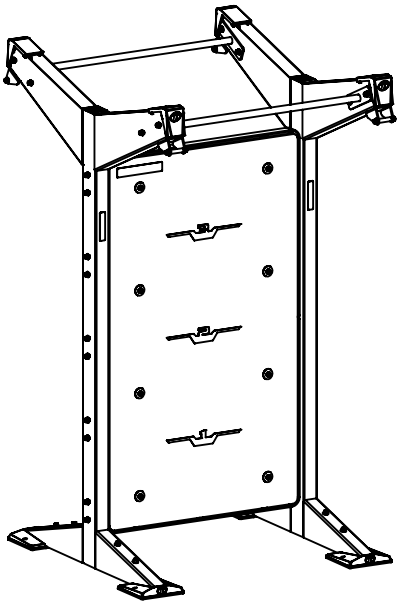
4' / 6' STORAGE MODULE



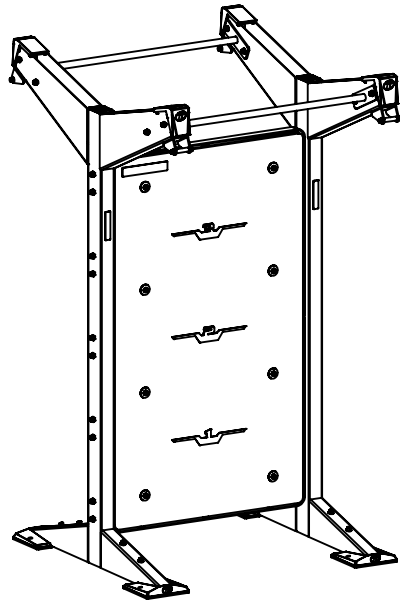
4' STALL BAR MODULE



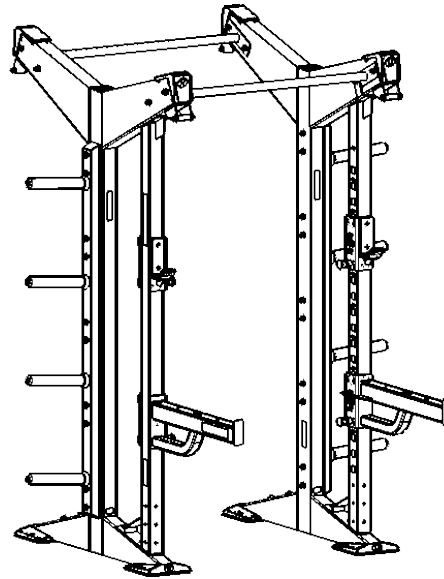
**4' / 6' BALL & HANGING
STORAGE MODULE**



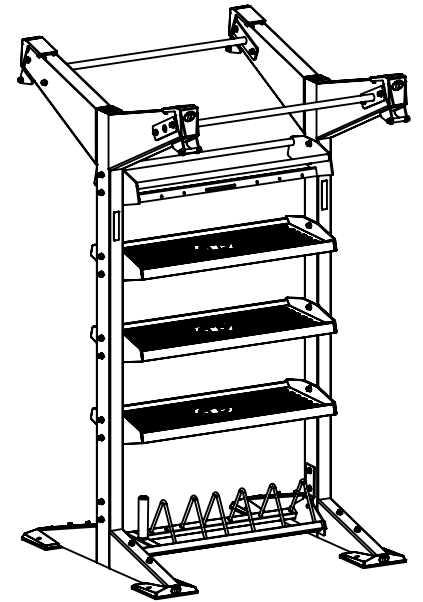
4' BALL TARGET WALL MODULE



**BALL TARGET WALL
REVERSE SIDE**

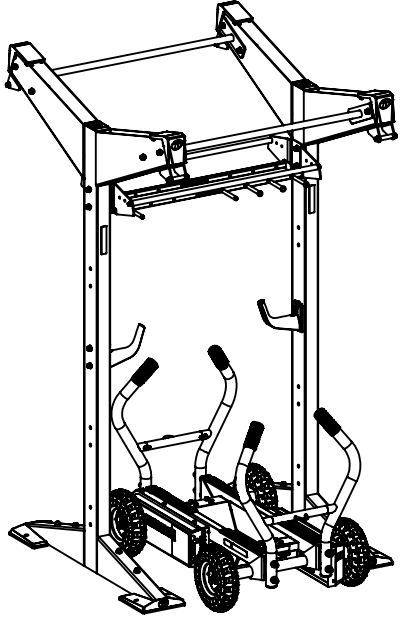


**8' OLYMPIC LIFTING
STATION MODULE**

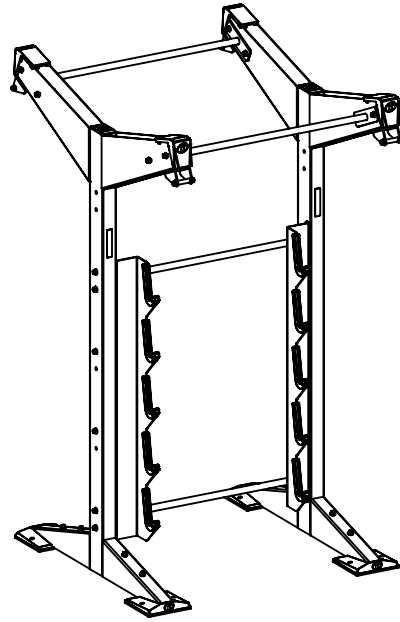


**4' / 6' ACCESSORY & BUMPER
STORAGE MODULE**

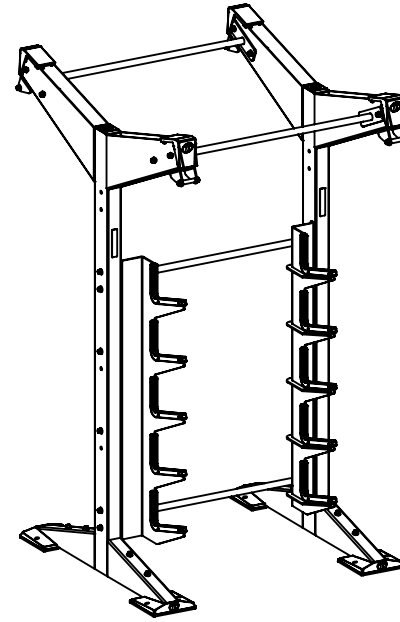
MODULES



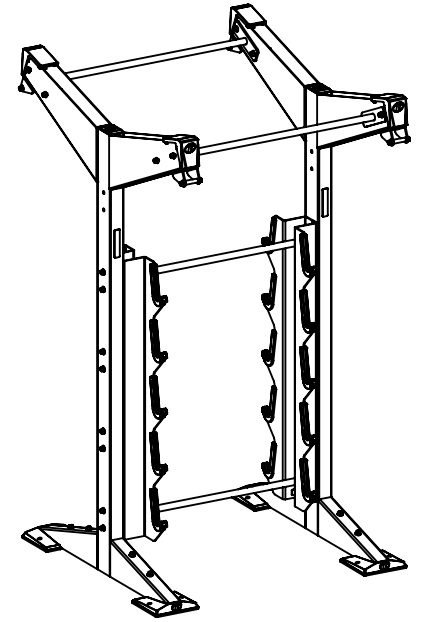
4' TANK DOCKING MODULE



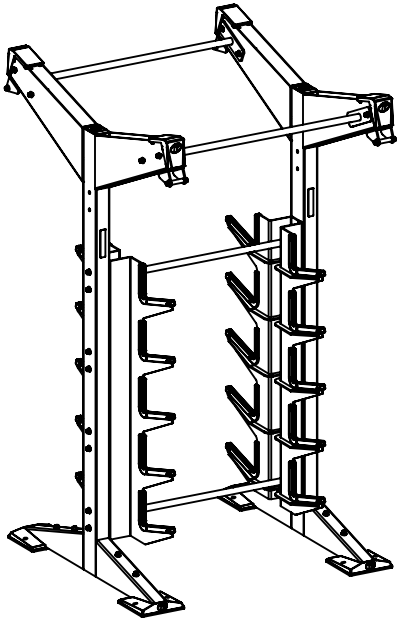
4' X 5 BARBELL STORAGE MODULE



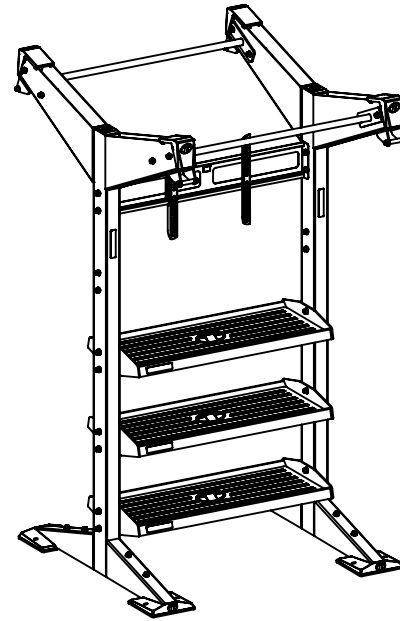
4' X 10 BARBELL STORAGE MODULE



4' X 2 SIDED X 10 BARBELL STORAGE MODULE

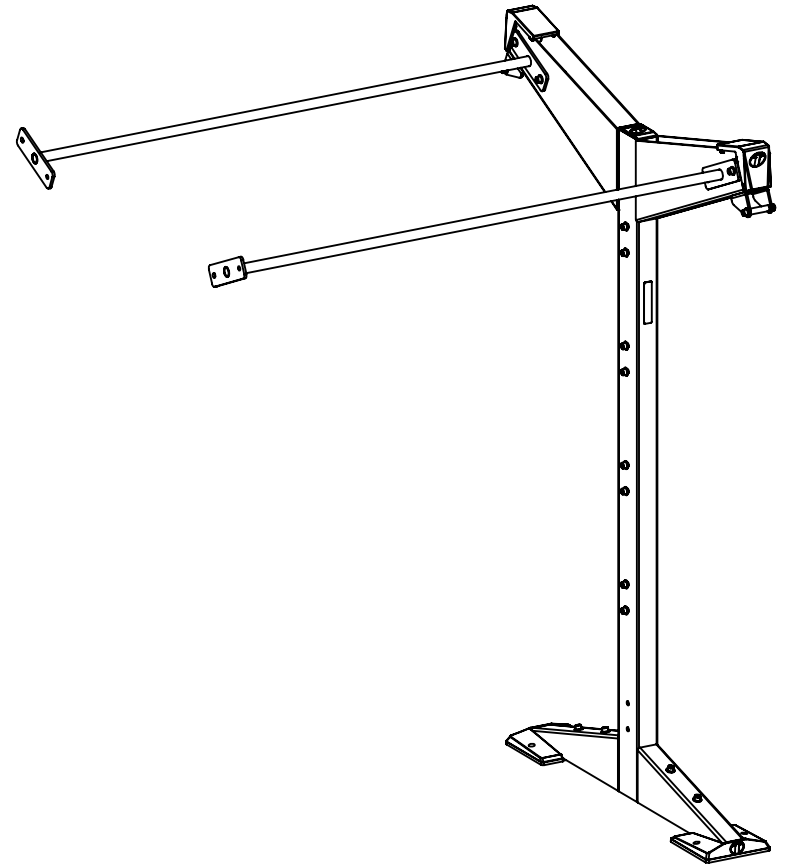
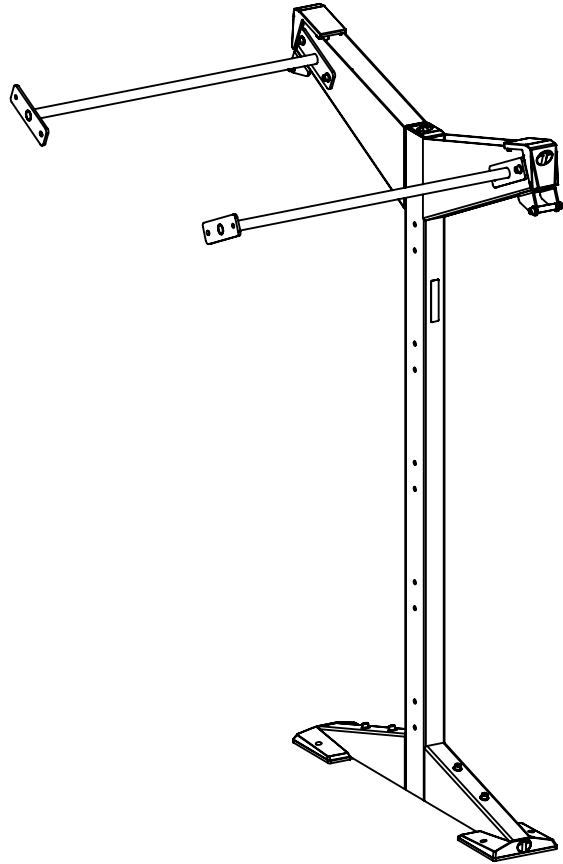


4' X 2 SIDED X 20 BARBELL STORAGE MODULE

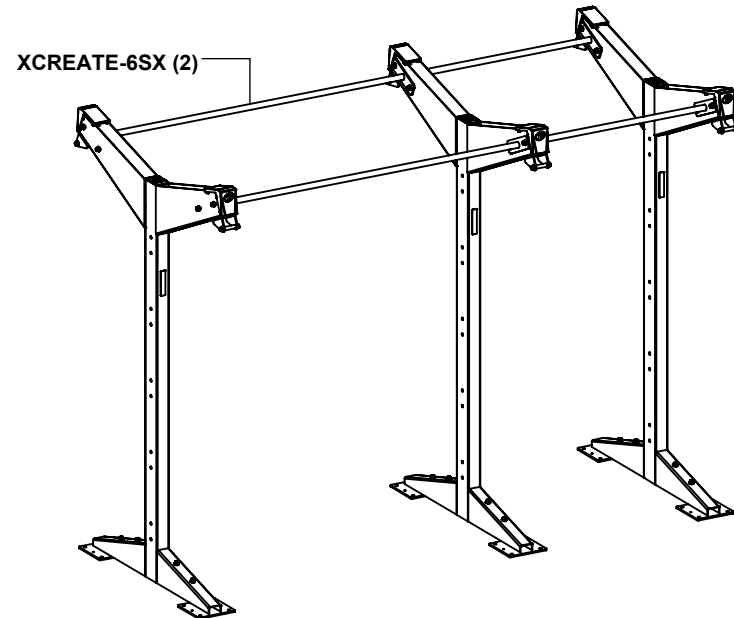
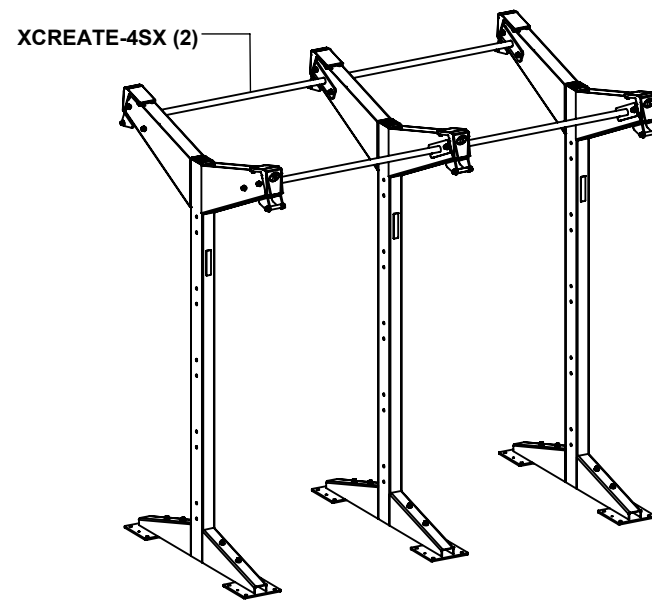
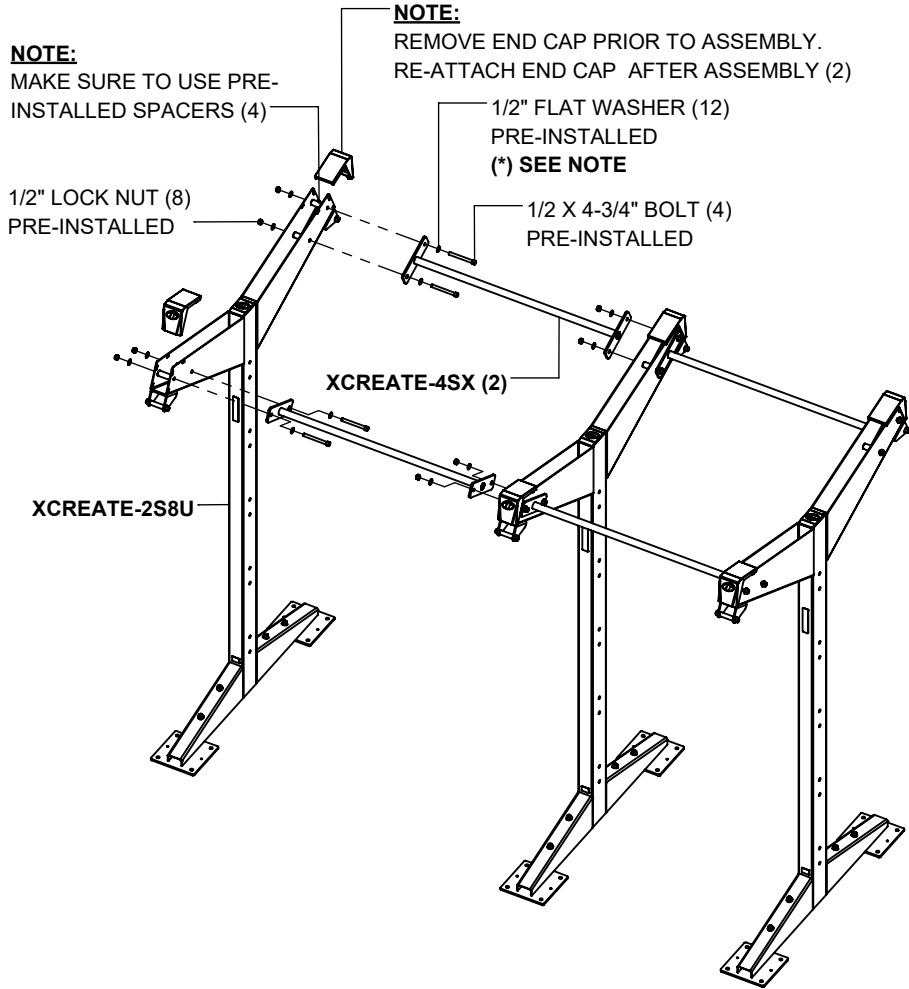


4' MONITOR MOUNT STORAGE MODULE

2 SIDED 8' UPRIGHT MODULE EXTENSION



2 SIDED 8' UPRIGHT MODULE EXTENSION



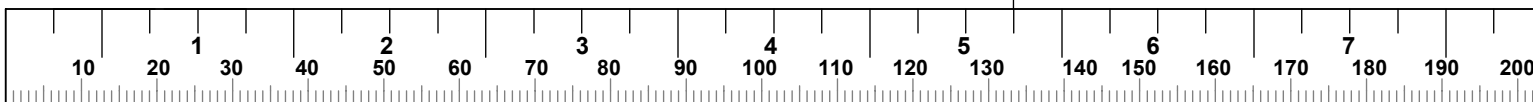
NOTES:

For the purpose of illustration the 4ft module extension is shown. The 6ft module extension is assembled the same way.

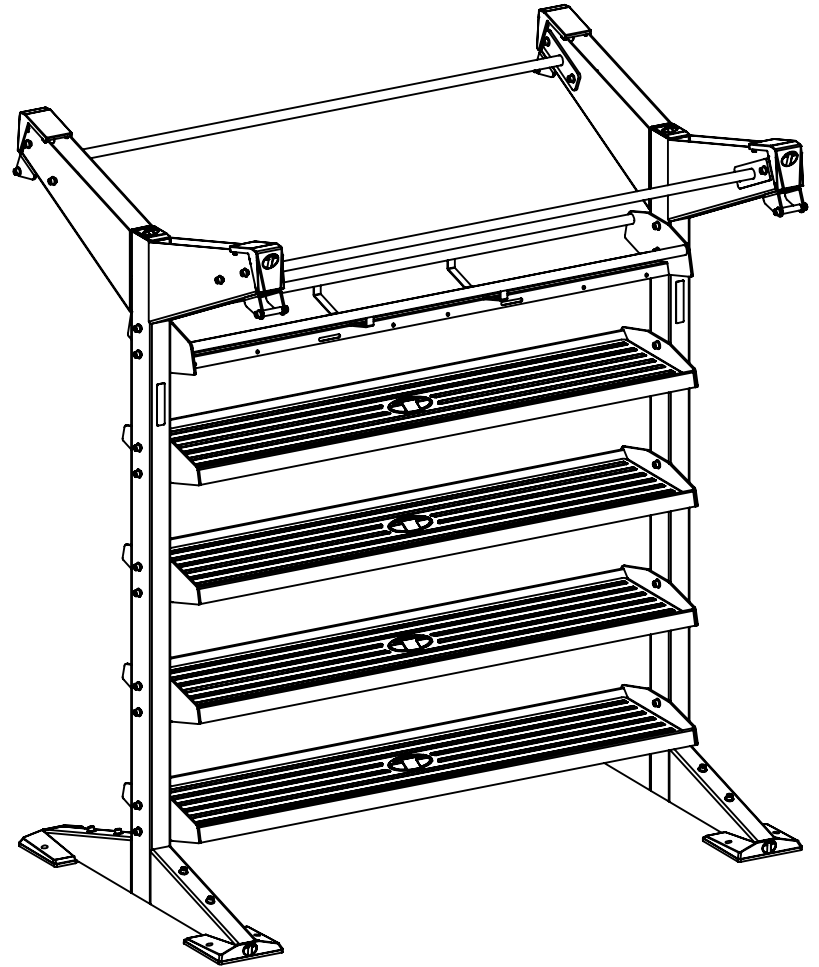
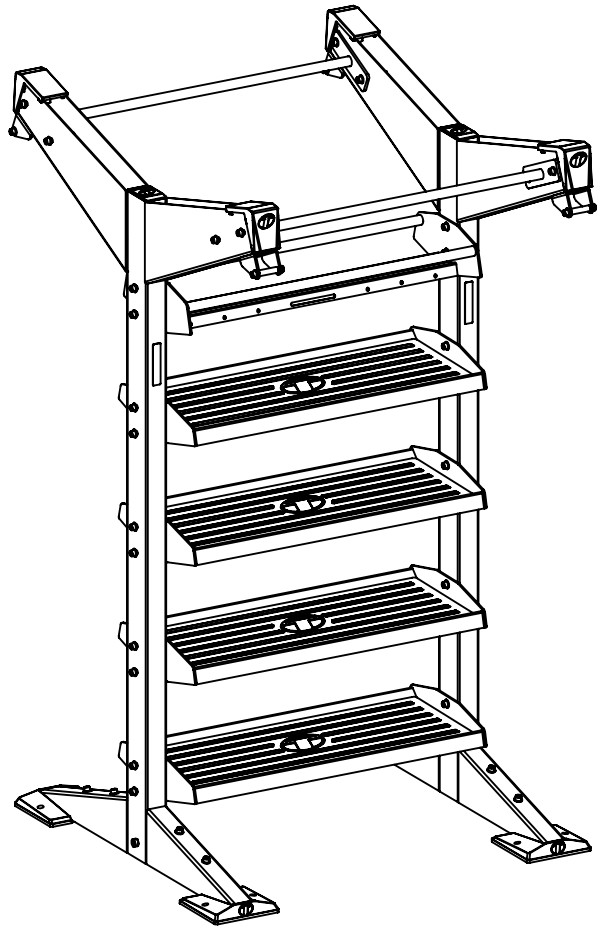
LOOSELY assemble bolt connections in this step.

(* **HARDWARE COVERS CAN** be used in place of washers in this step. **(SEE PAGE 3)**.)

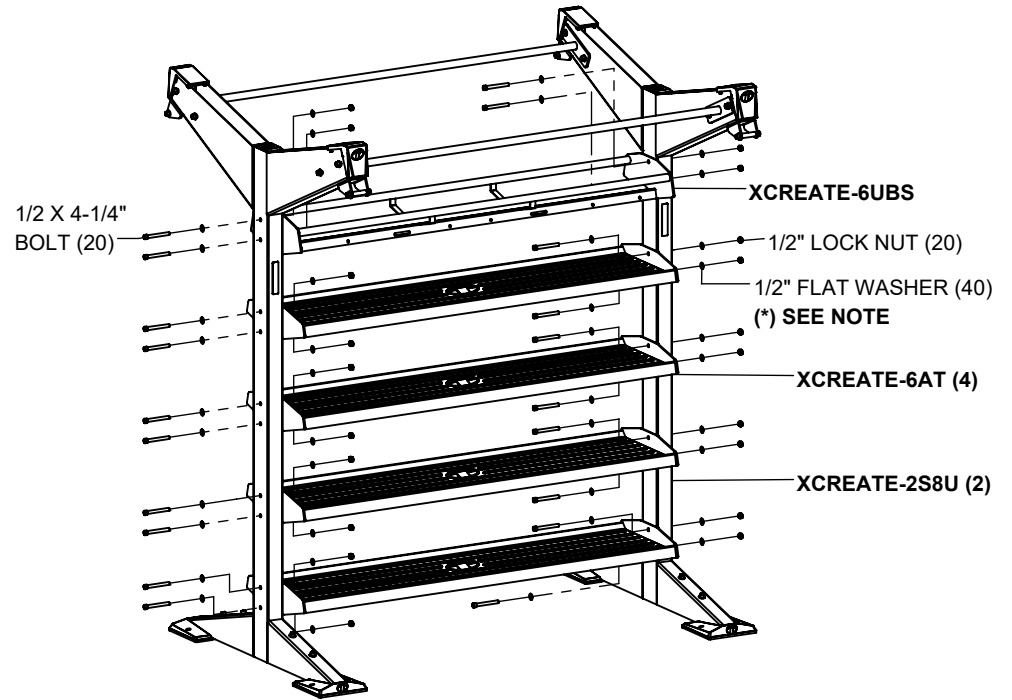
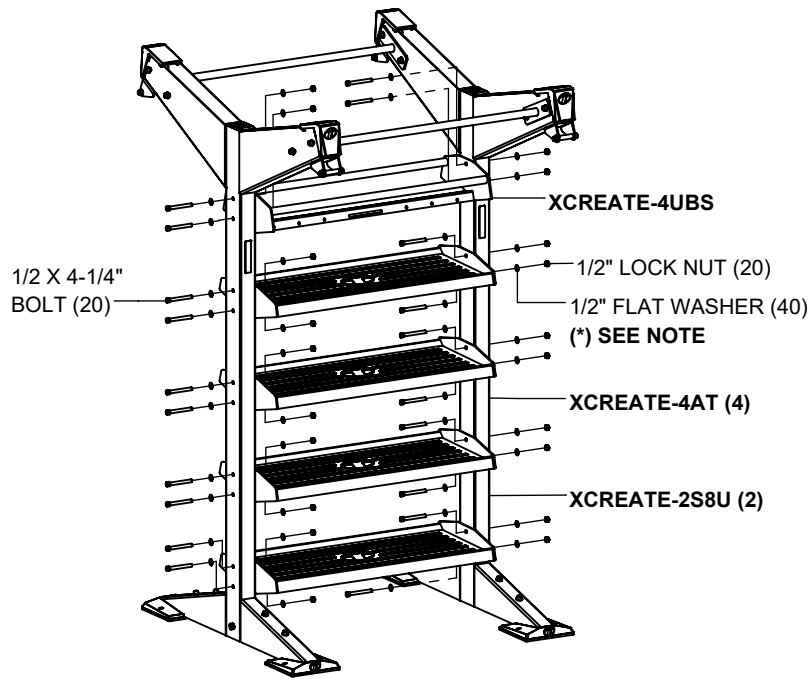
Repeat this step for as many modules there are to assemble.



4' / 6' ACCESSORY STORAGE MODULE



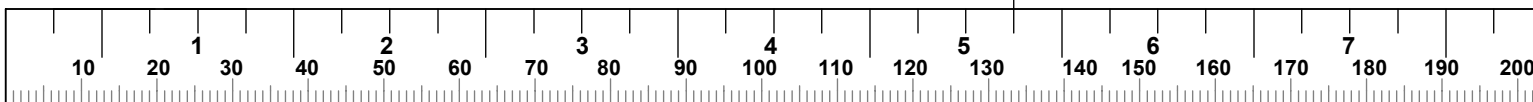
4' / 6' ACCESSORY STORAGE MODULE



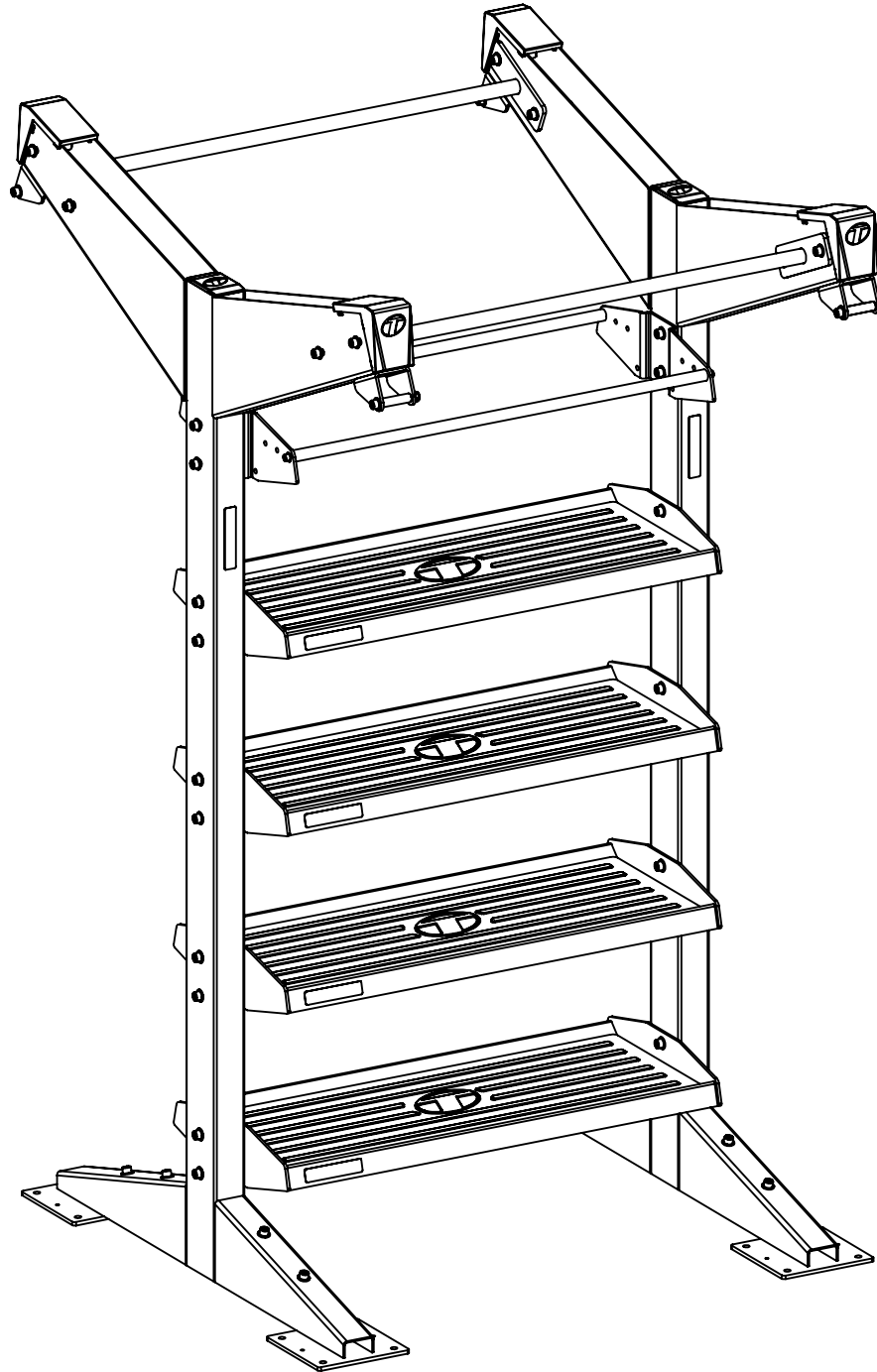
NOTES:

LOOSELY assemble bolt connections in this step.

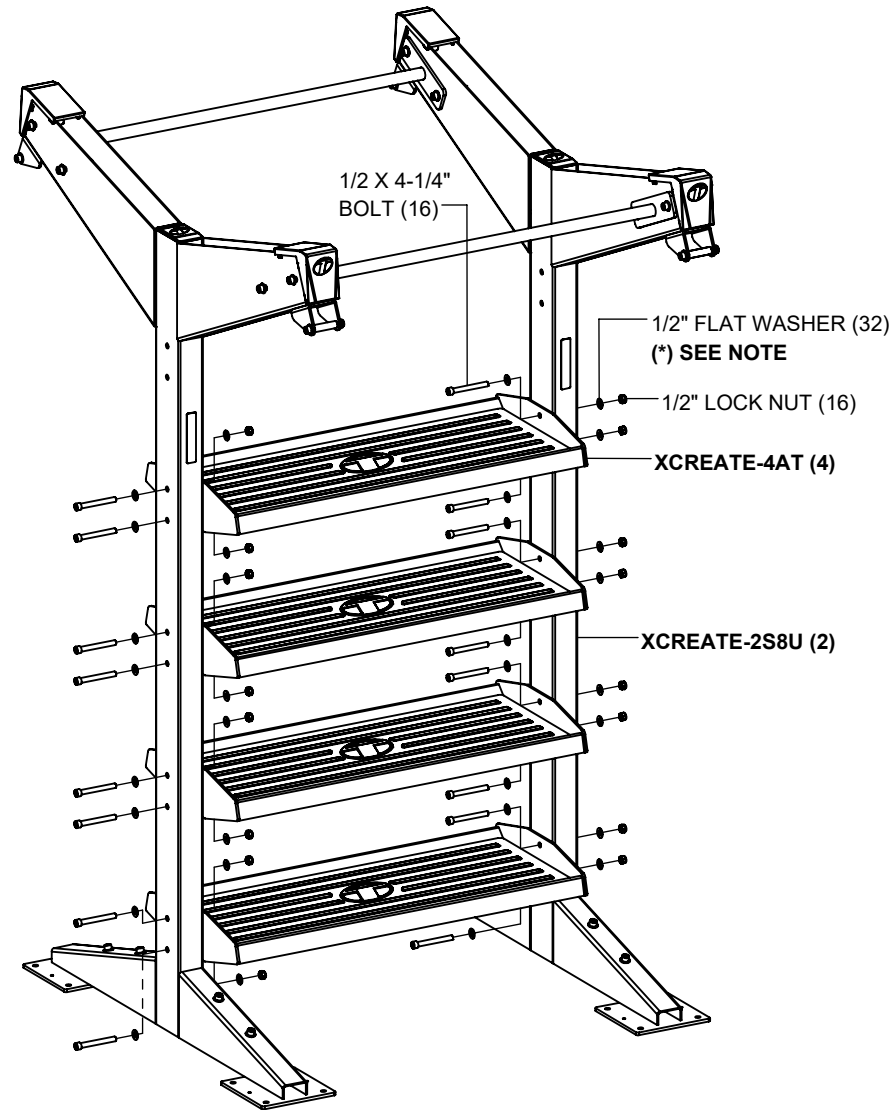
(*) **HARDWARE COVERS CAN** be used in place of washers in this step. (SEE PAGE 3).



4' STORAGE MODULE (XCREATE-4BS)



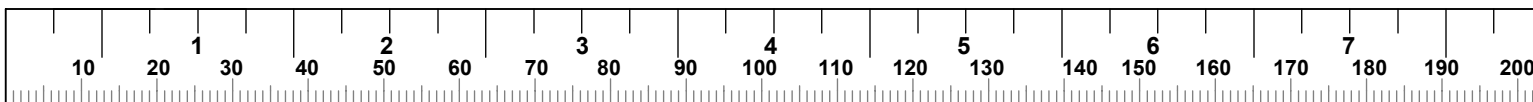
4' STORAGE MODULE (XCREATE-4BS)



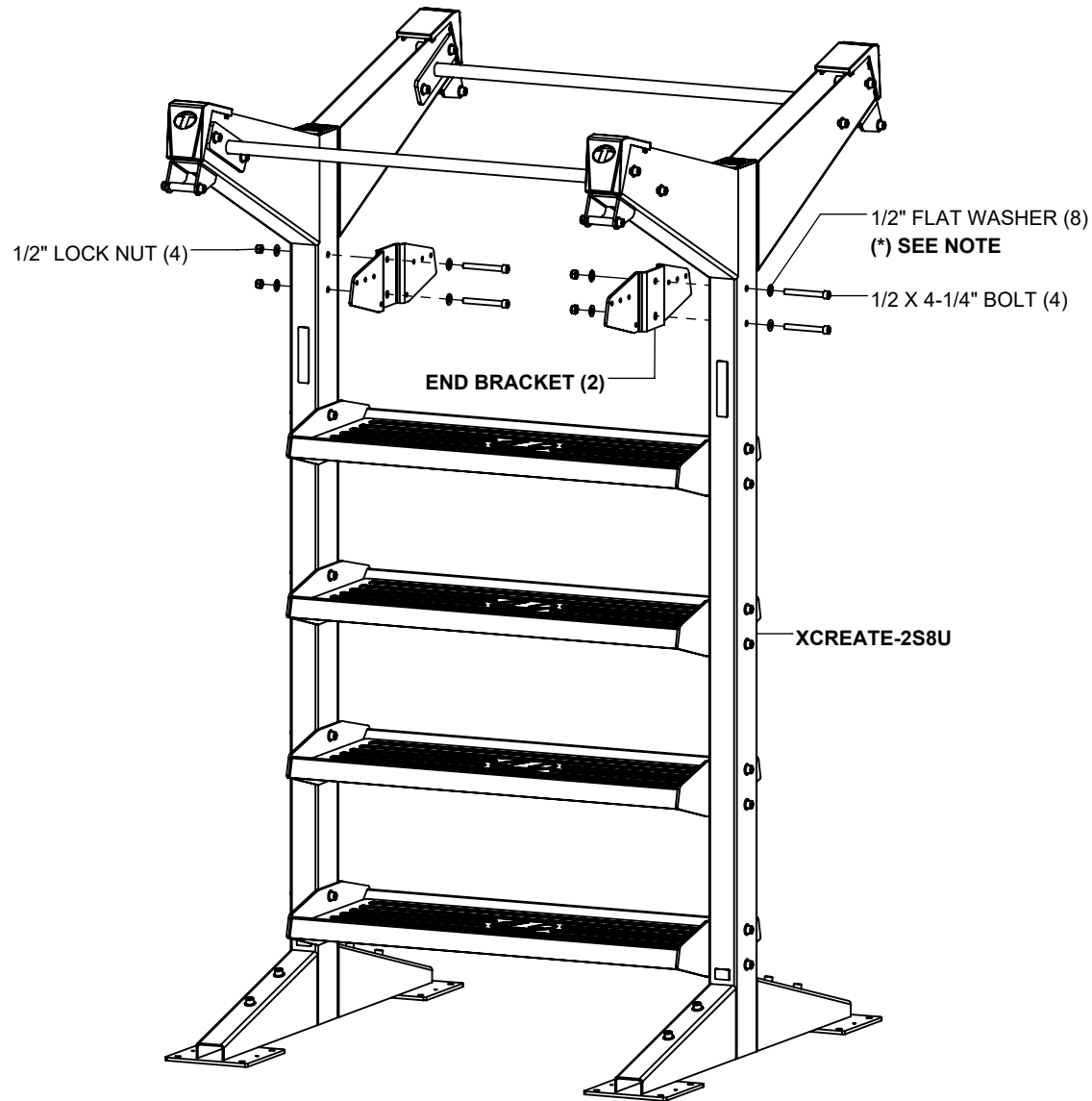
NOTES:

LOOSELY assemble bolt connections in this step.

(*) HARDWARE COVERS **CAN** be used in place of washers in this step. (SEE PAGE 3).



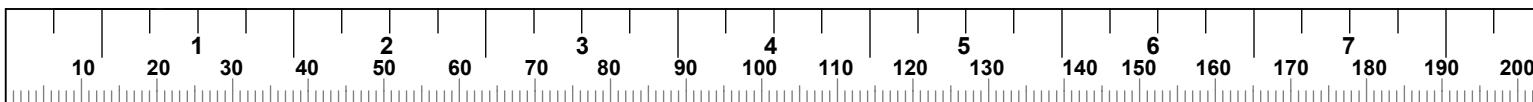
4' STORAGE MODULE (XCREATE-4BS)



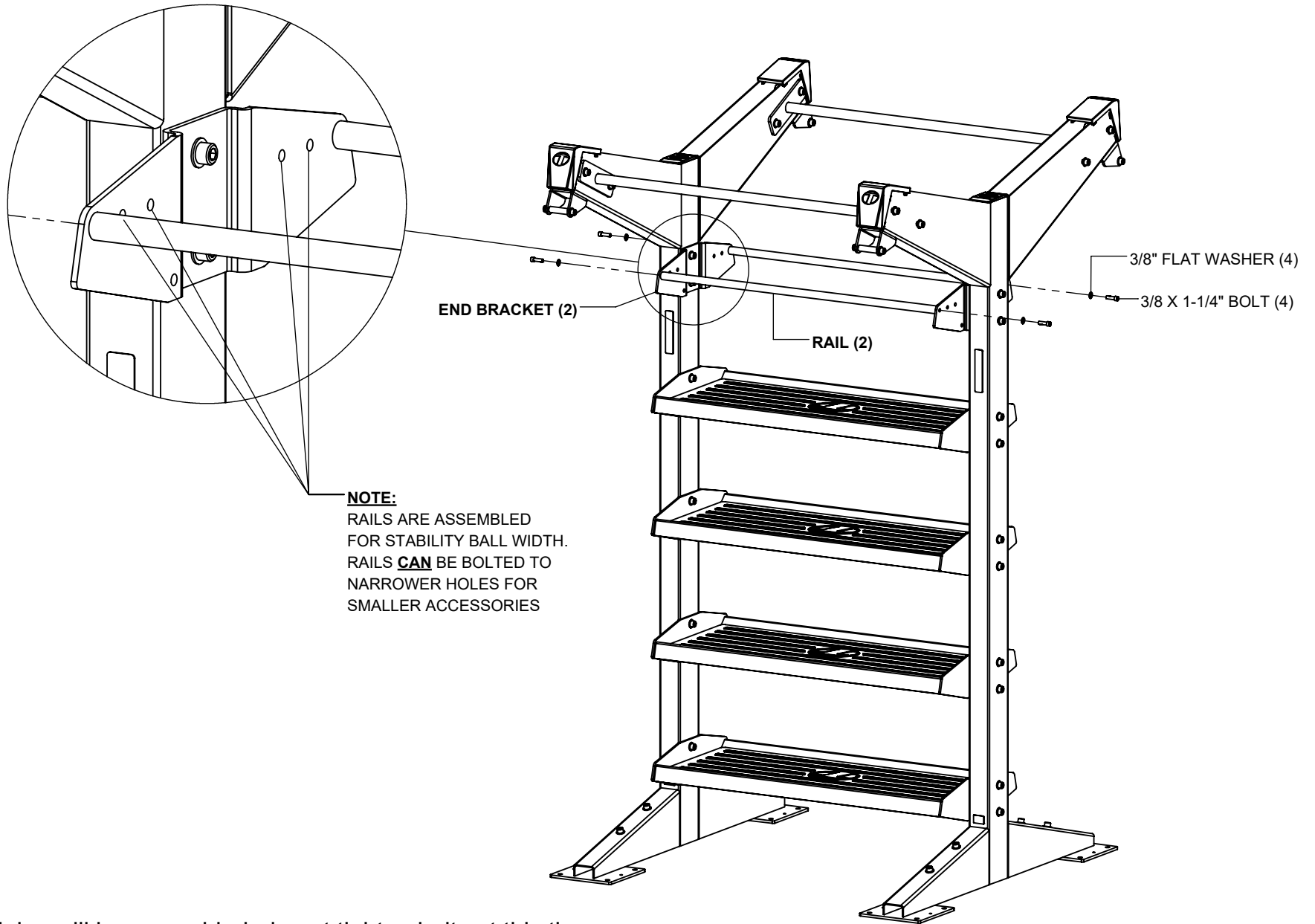
NOTES:

LOOSELY assemble bolt connections in this step.

(* **HARDWARE COVERS** **CAN** be used in place of washers in this step. (SEE PAGE 3).



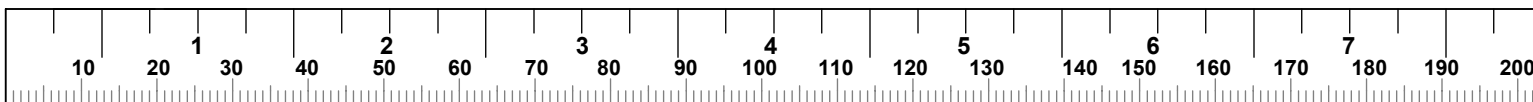
4' STORAGE MODULE (XCREATE-4BS)



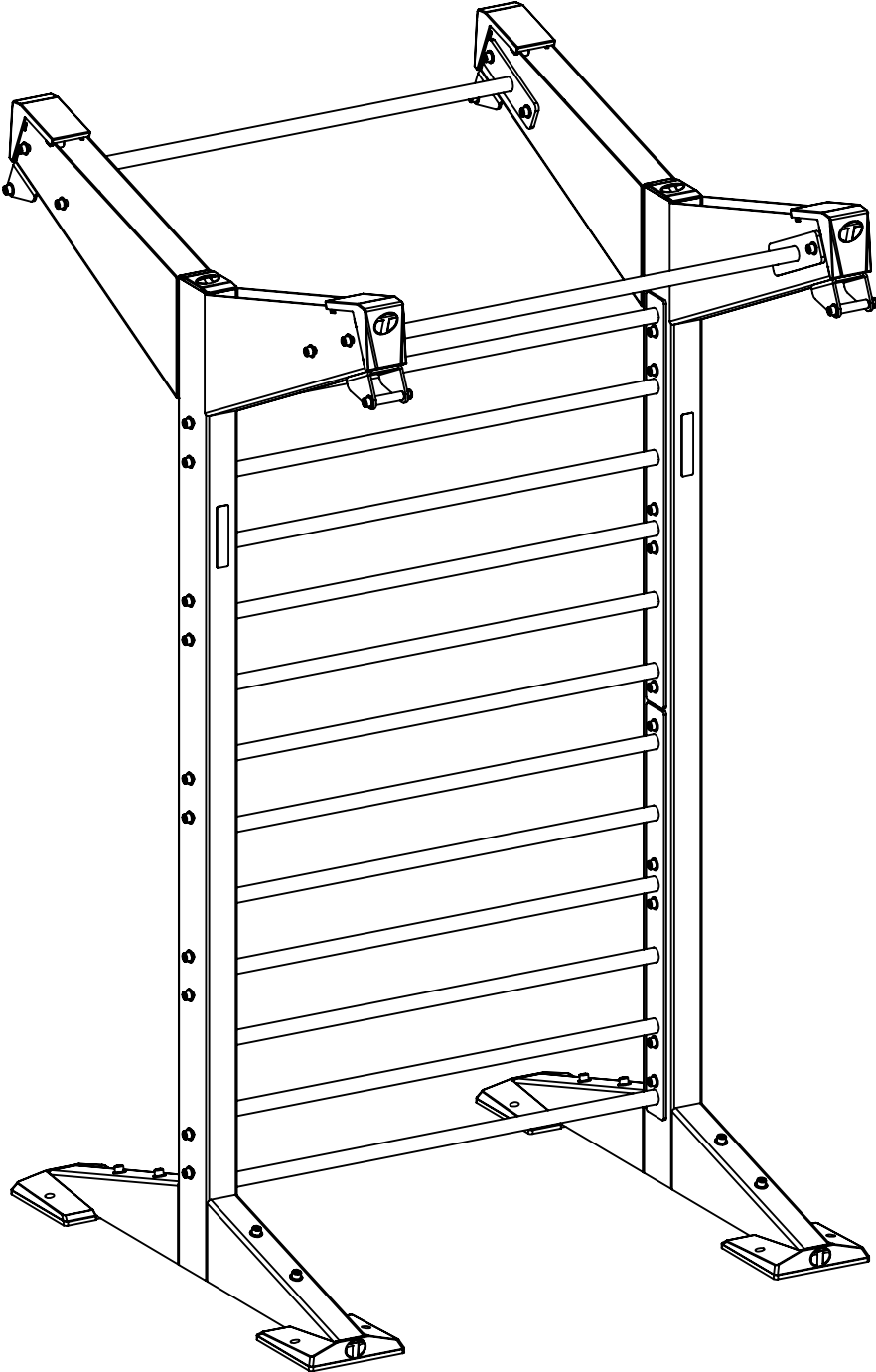
NOTE:

If more modules will be assembled, do not tighten bolts at this time.

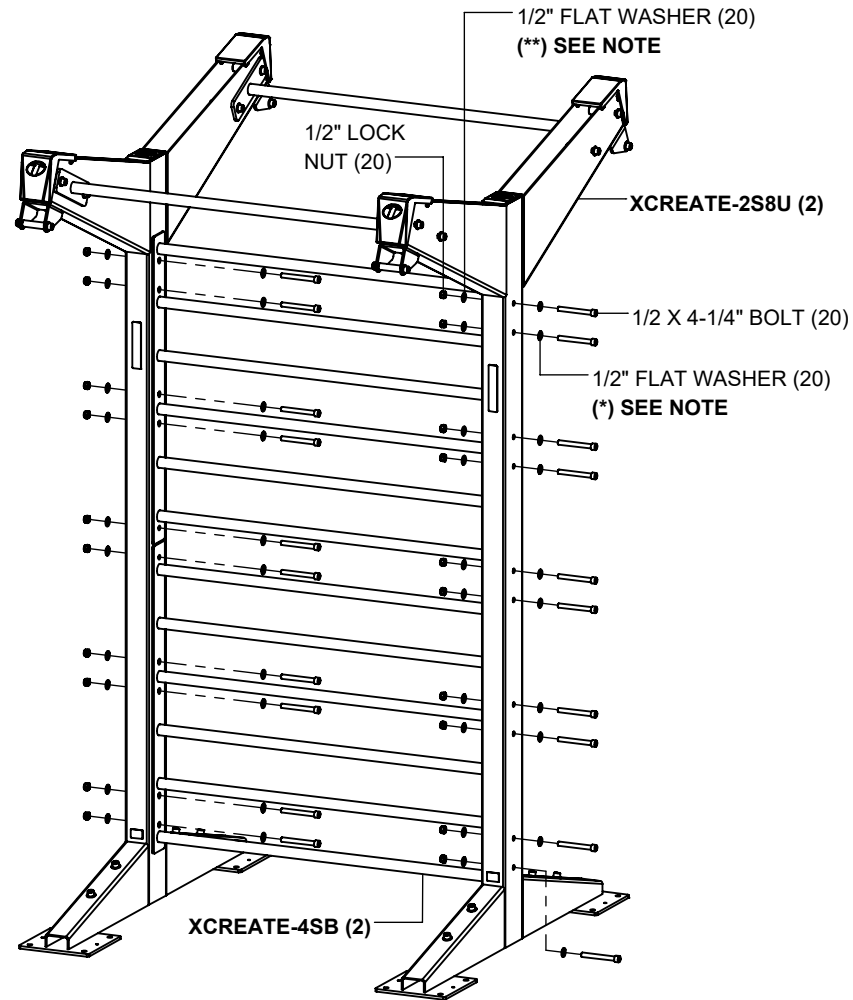
If this is the only module being assembled, then **SECURELY** tighten all bolts made in this step and previous steps.



4' STALL BAR MODULE



4' STALL BAR MODULE



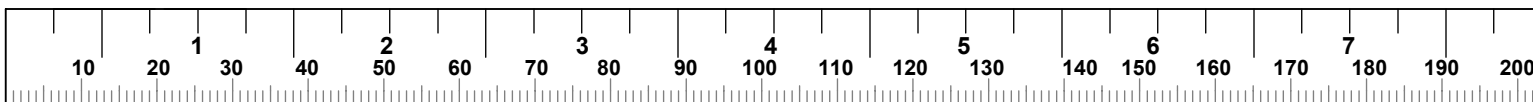
NOTES:

If more modules will be assembled, do not tighten bolts at this time.

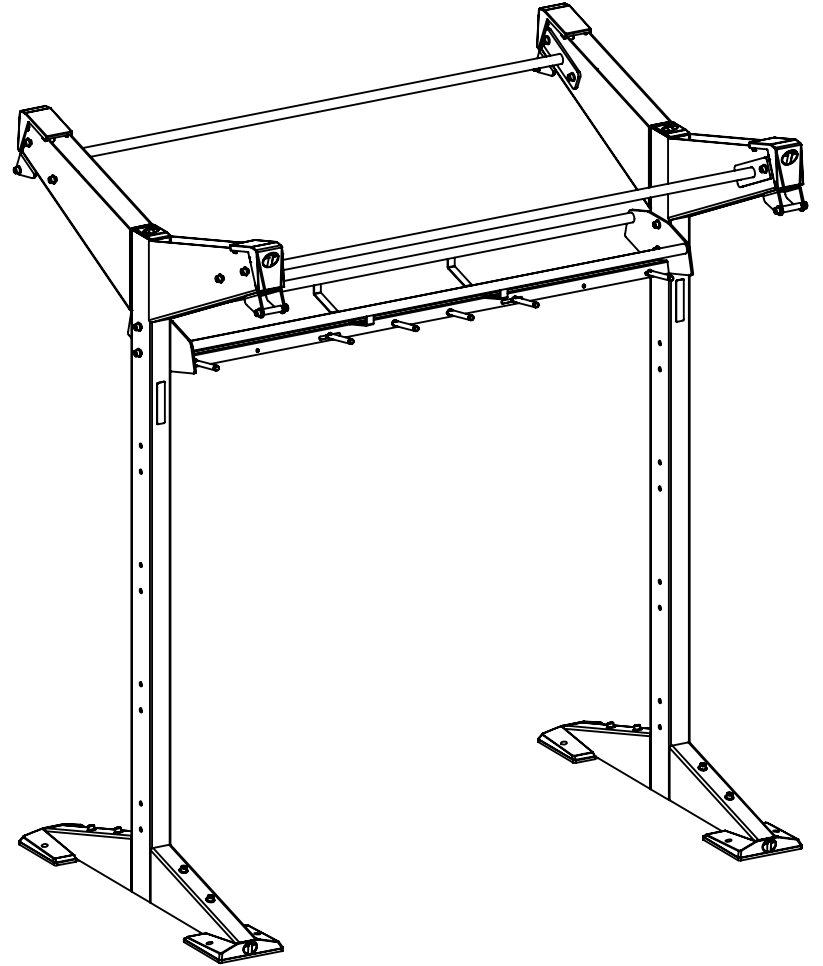
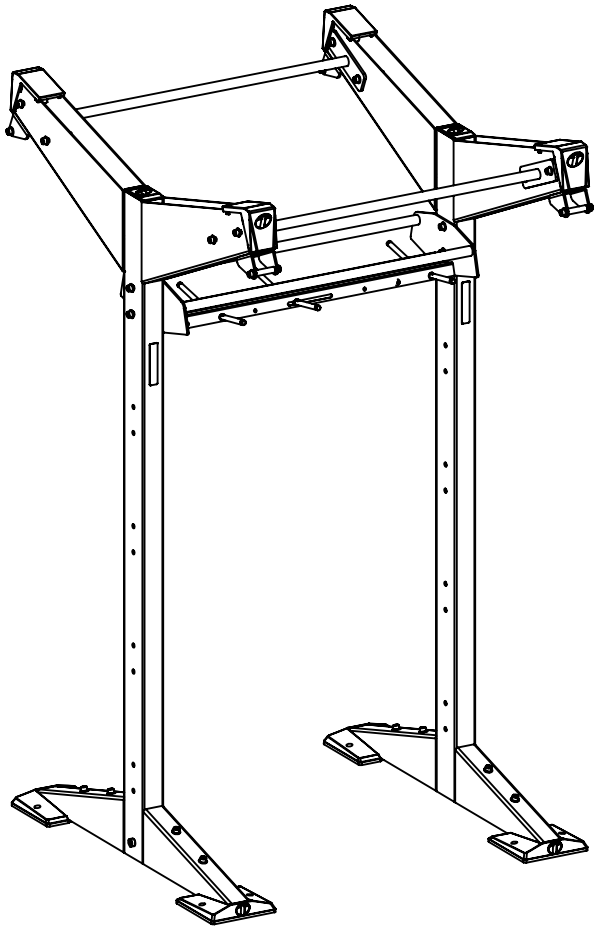
If this is the only module being assembled, then **SECURELY** tighten all bolts made in this step and previous steps.

(*) **HARDWARE COVERS CAN** be used in place of washers on **tube side only**. (SEE PAGE 3).

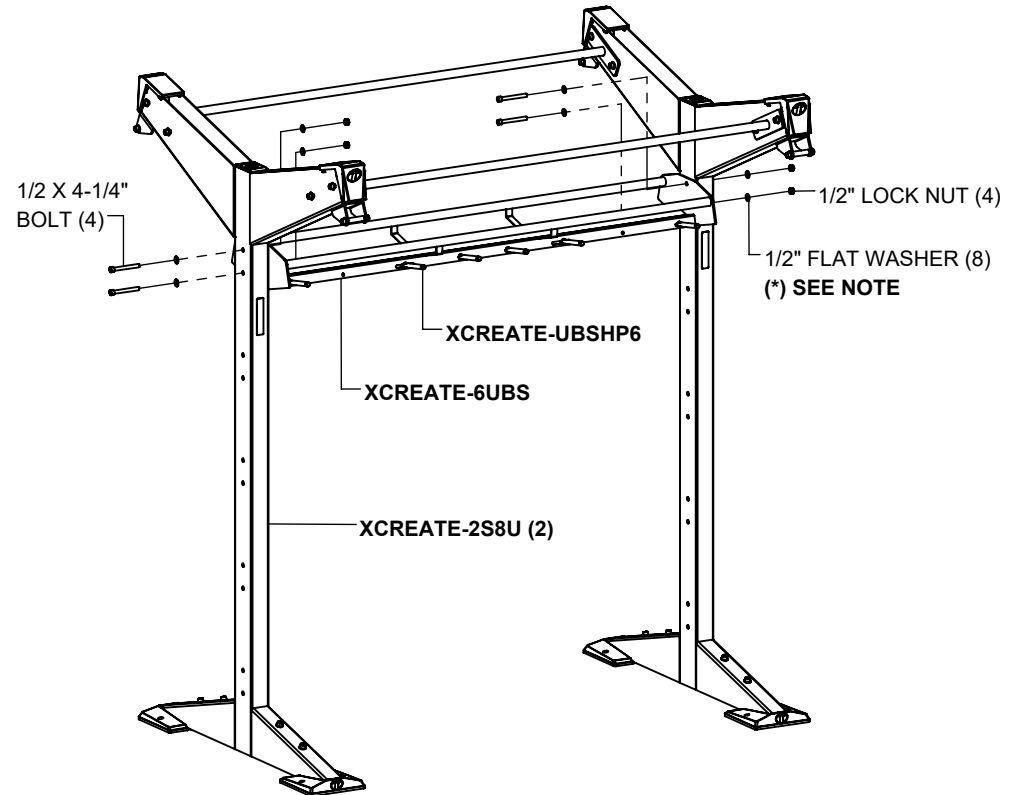
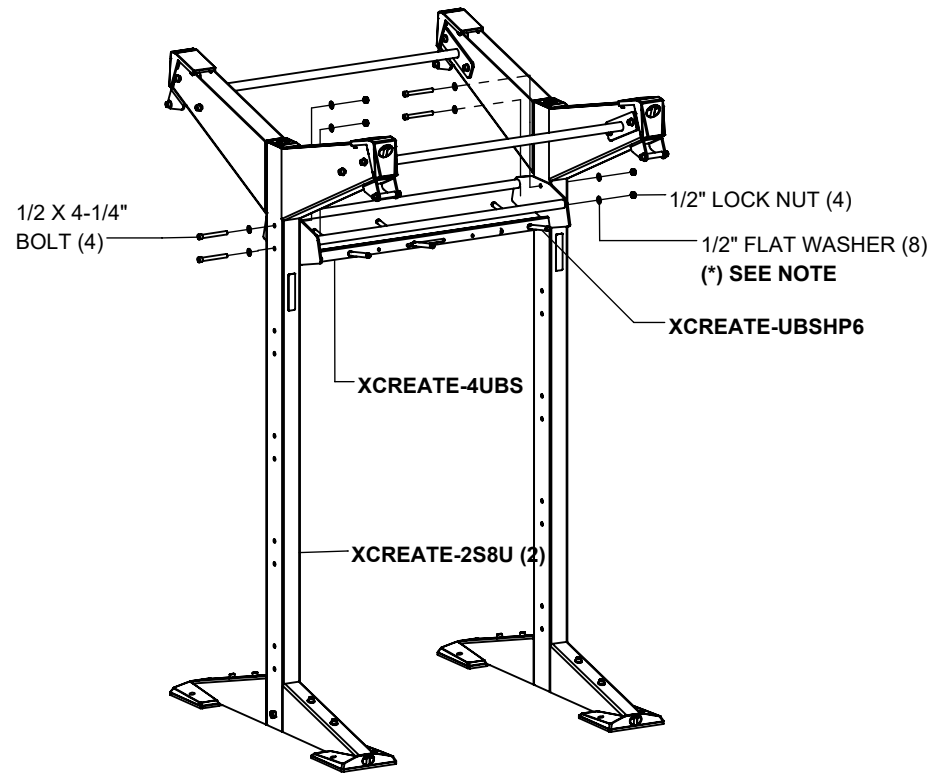
(**) **HARDWARE COVERS CANNOT** be used on plate side.



**4' / 6' UNIVERSAL BALL & HANGING STORAGE
MODULE**



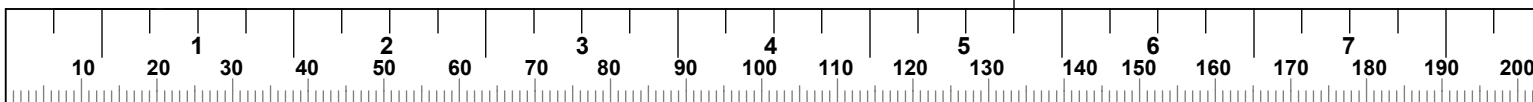
4' / 6' UNIVERSAL BALL & HANGING STORAGE MODULE



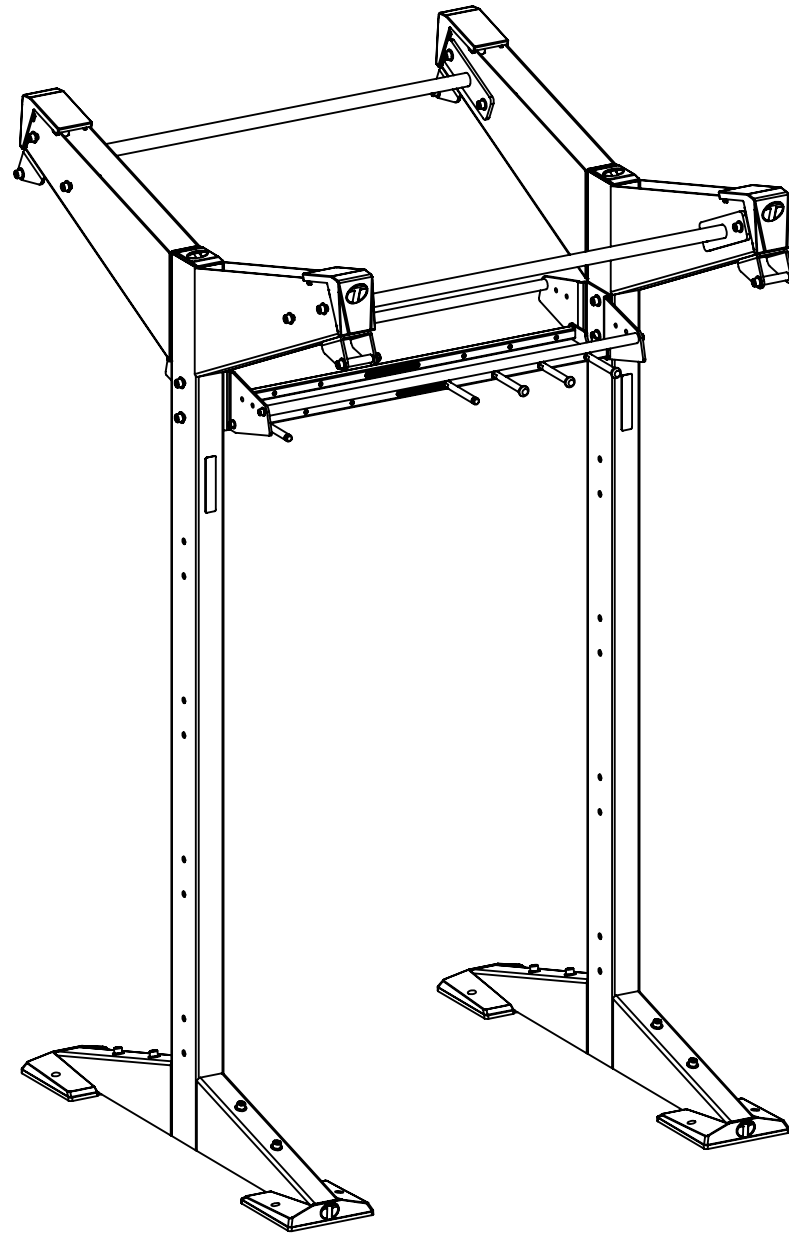
NOTES:

LOOSELY assemble bolt connections in this step.

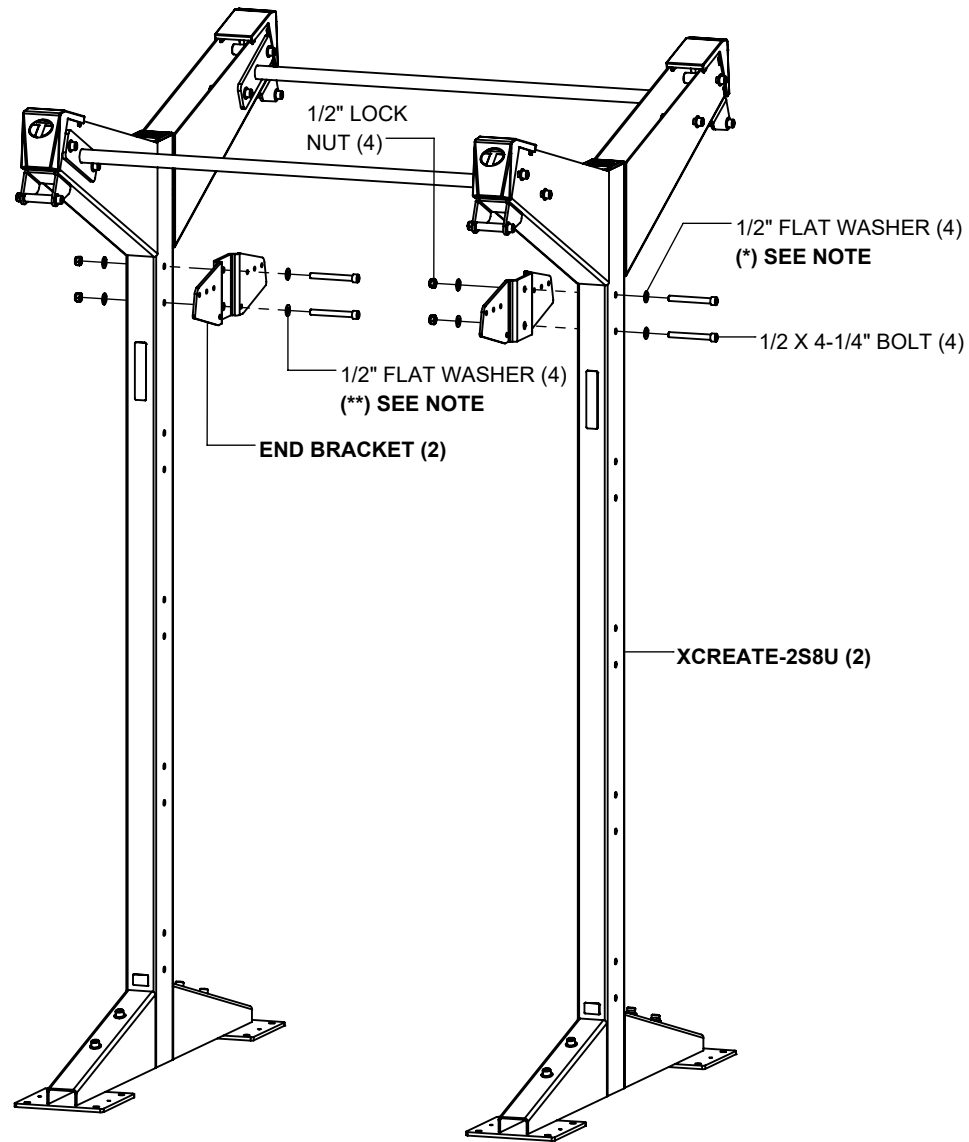
(* **HARDWARE COVERS CAN** be used in place of washers in this step. (SEE PAGE 3).



4' BALL & HANGING STORAGE MODULE (XCREATE-4BS)



4' BALL & HANGING STORAGE MODULE (XCREATE-4BS)

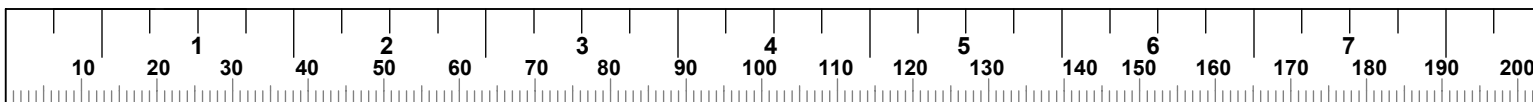


NOTES:

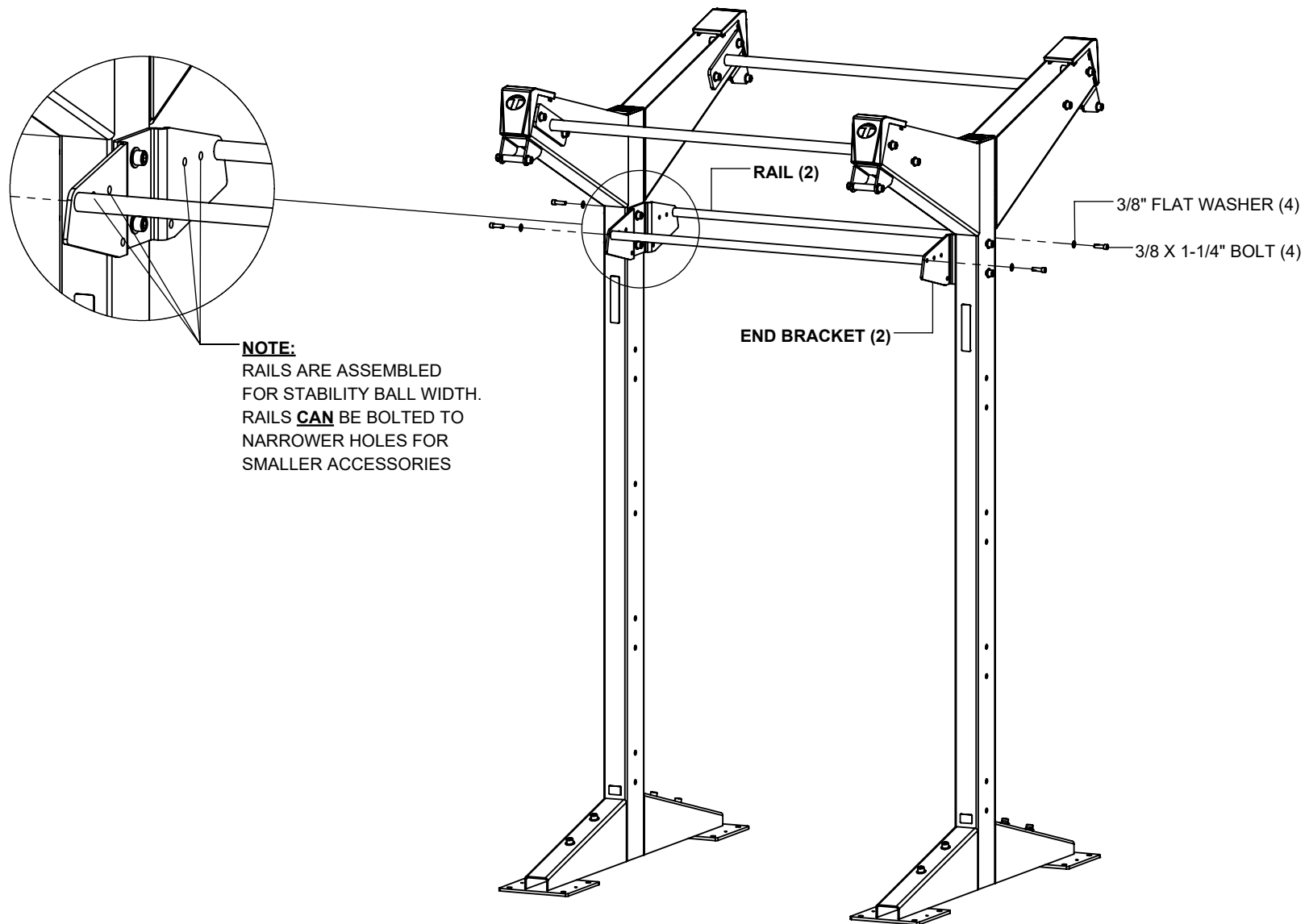
LOOSELY assemble bolt connections in this step.

(*) **HARDWARE COVERS CAN** be used in place of washers on **tube side only**. (SEE PAGE 3).

(**) **HARDWARE COVERS CANNOT** be used on plate side.



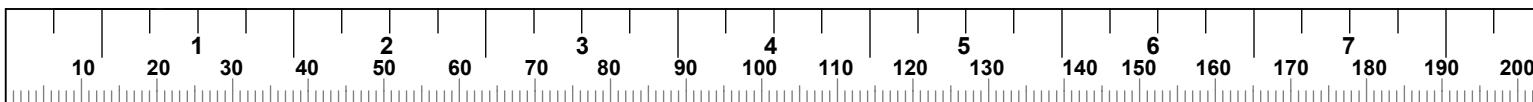
4' BALL & HANGING STORAGE MODULE (XCREATE-4BS)



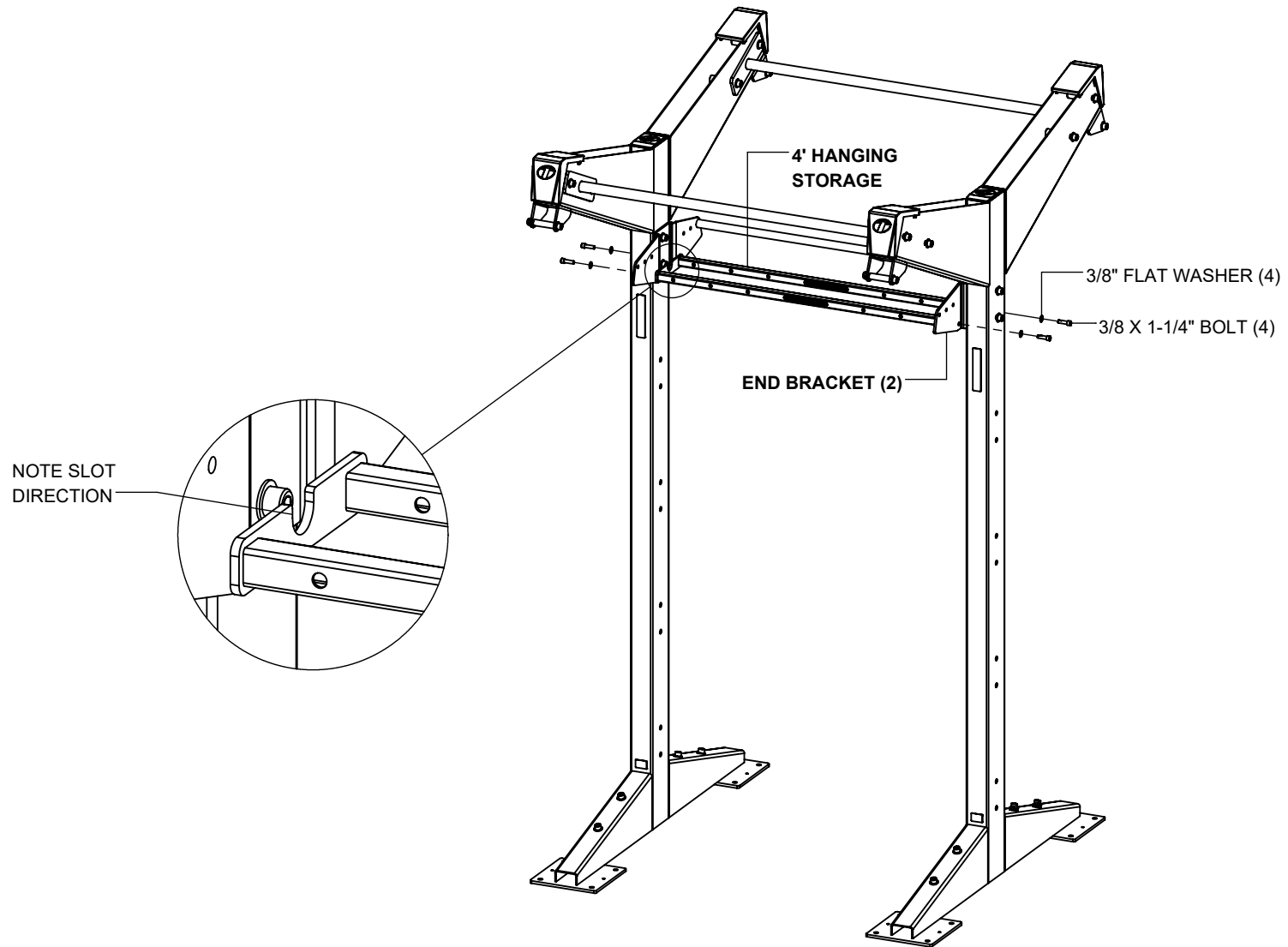
NOTE:
RAILS ARE ASSEMBLED
FOR STABILITY BALL WIDTH.
RAILS **CAN** BE BOLTED TO
NARROWER HOLES FOR
SMALLER ACCESSORIES

NOTE:

LOOSELY assemble bolt connections in this step.



4' BALL & HANGING STORAGE MODULE (XCREATE-4BS)

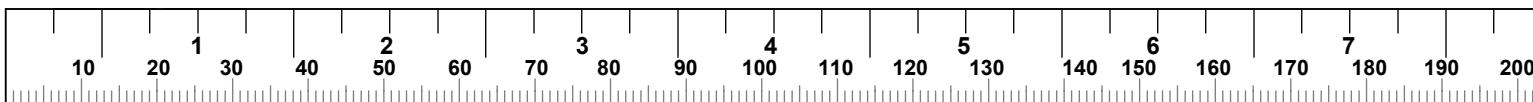


NOTE:

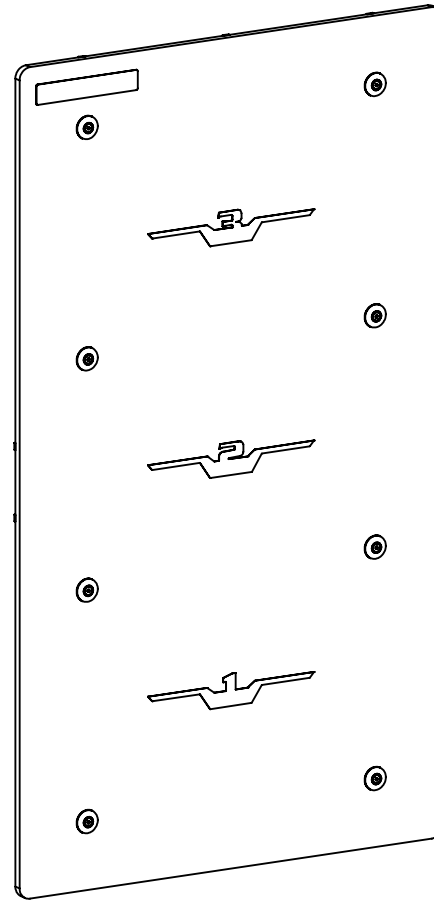
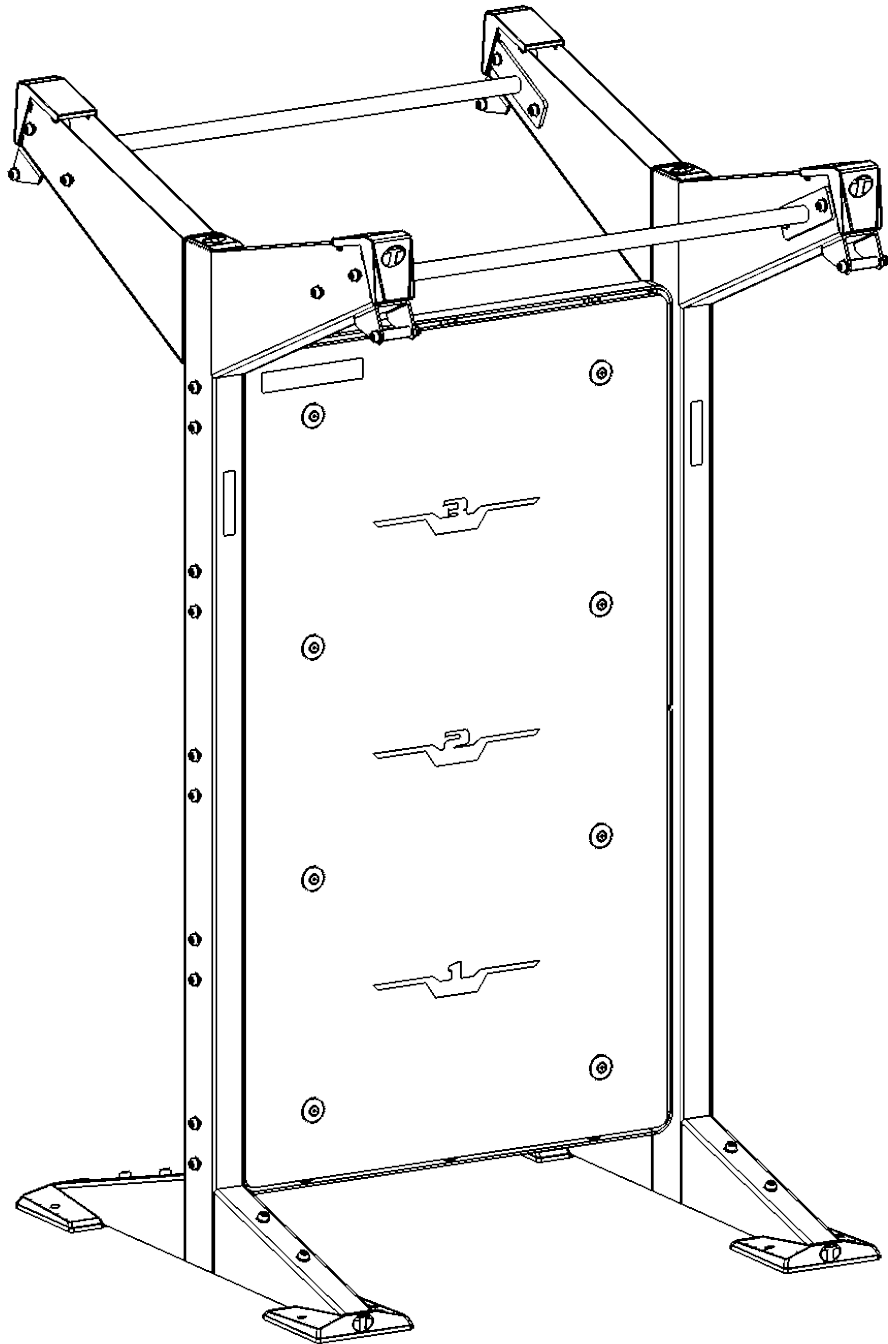
If more modules will be assembled, do not tighten bolts at this time.

If this is the only module being assembled, then **SECURELY** tighten all bolts made in this step and previous steps.

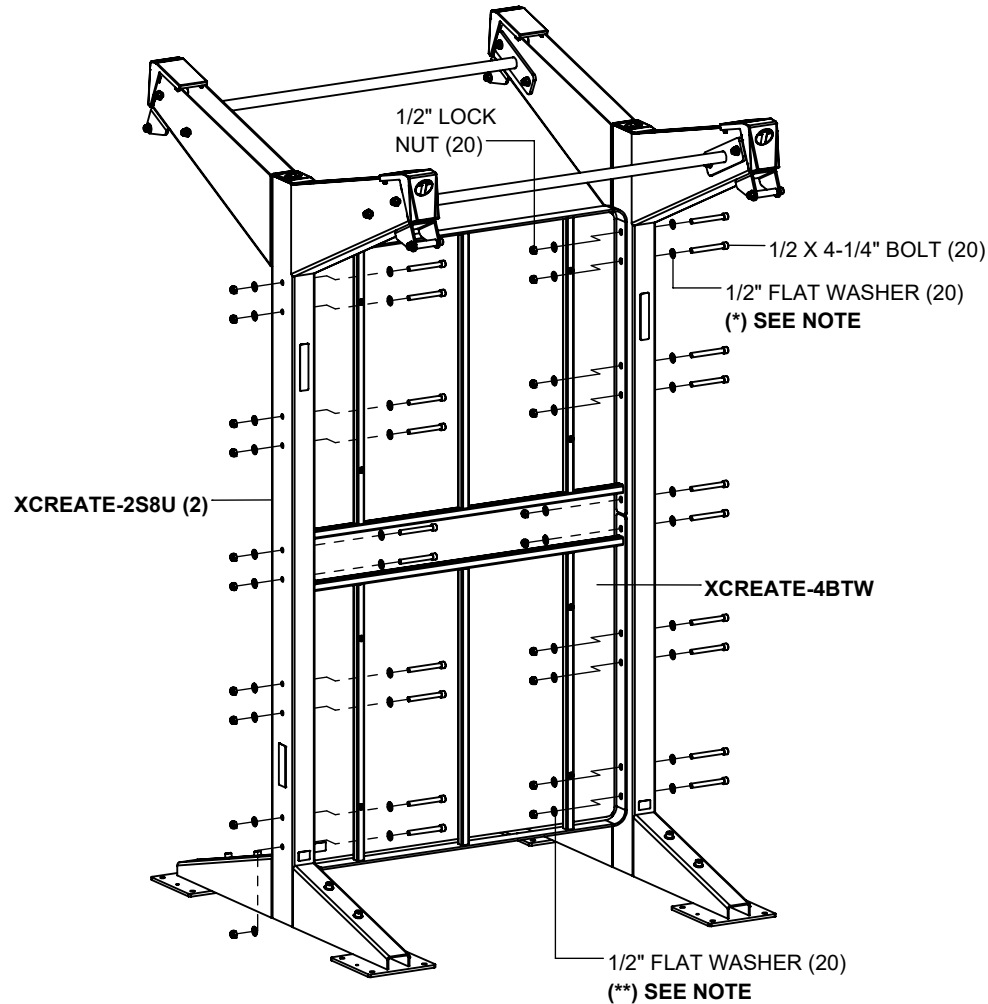
Some parts have been hidden for assembly clarity.



**4' BALL TARGET WALL MODULE &
BALL TARGET WALL REVERSE SIDE**



4' BALL TARGET WALL MODULE



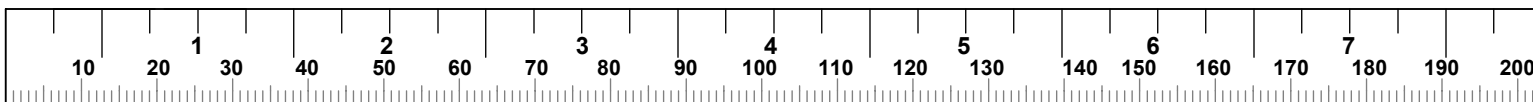
NOTES:

If more modules will be assembled, do not tighten bolts at this time.

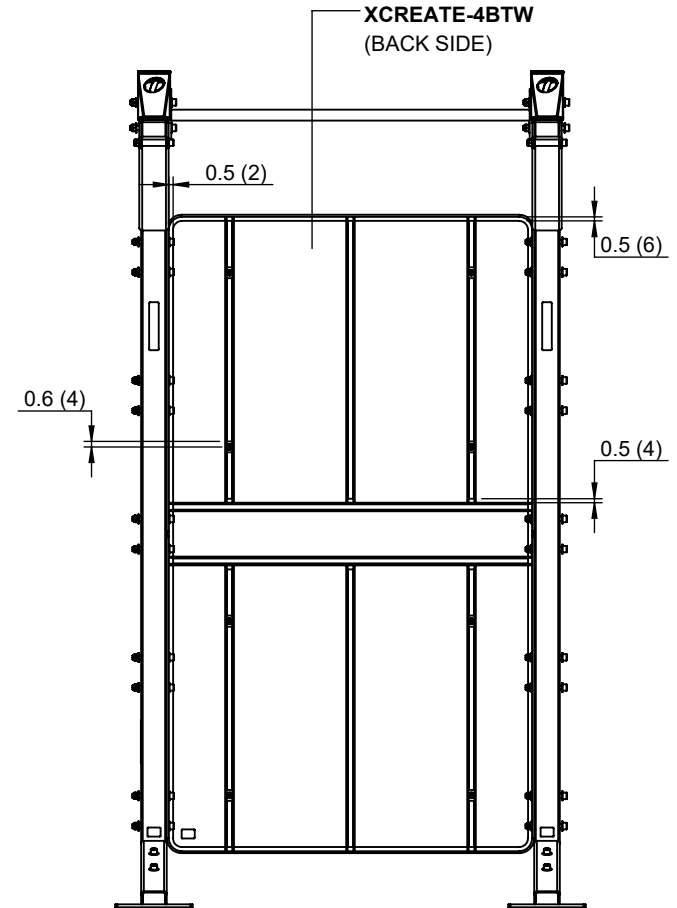
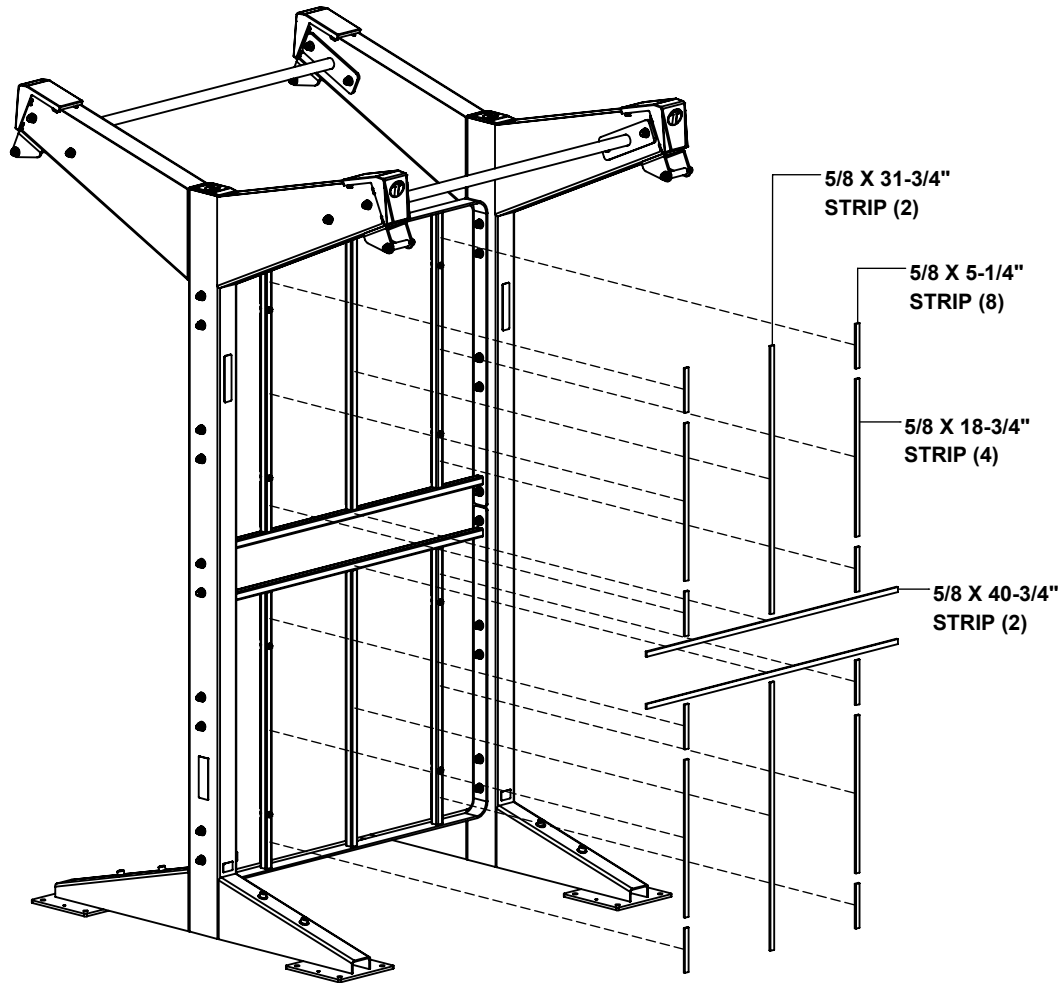
If this is the only module being assembled, then **SECURELY** tighten all bolts made in this step and previous steps.

(*) HARDWARE COVERS **CAN** be used in place of washers on **tube side only**. (SEE PAGE 3).

(**) HARDWARE COVERS **CANNOT** be used on plate side.

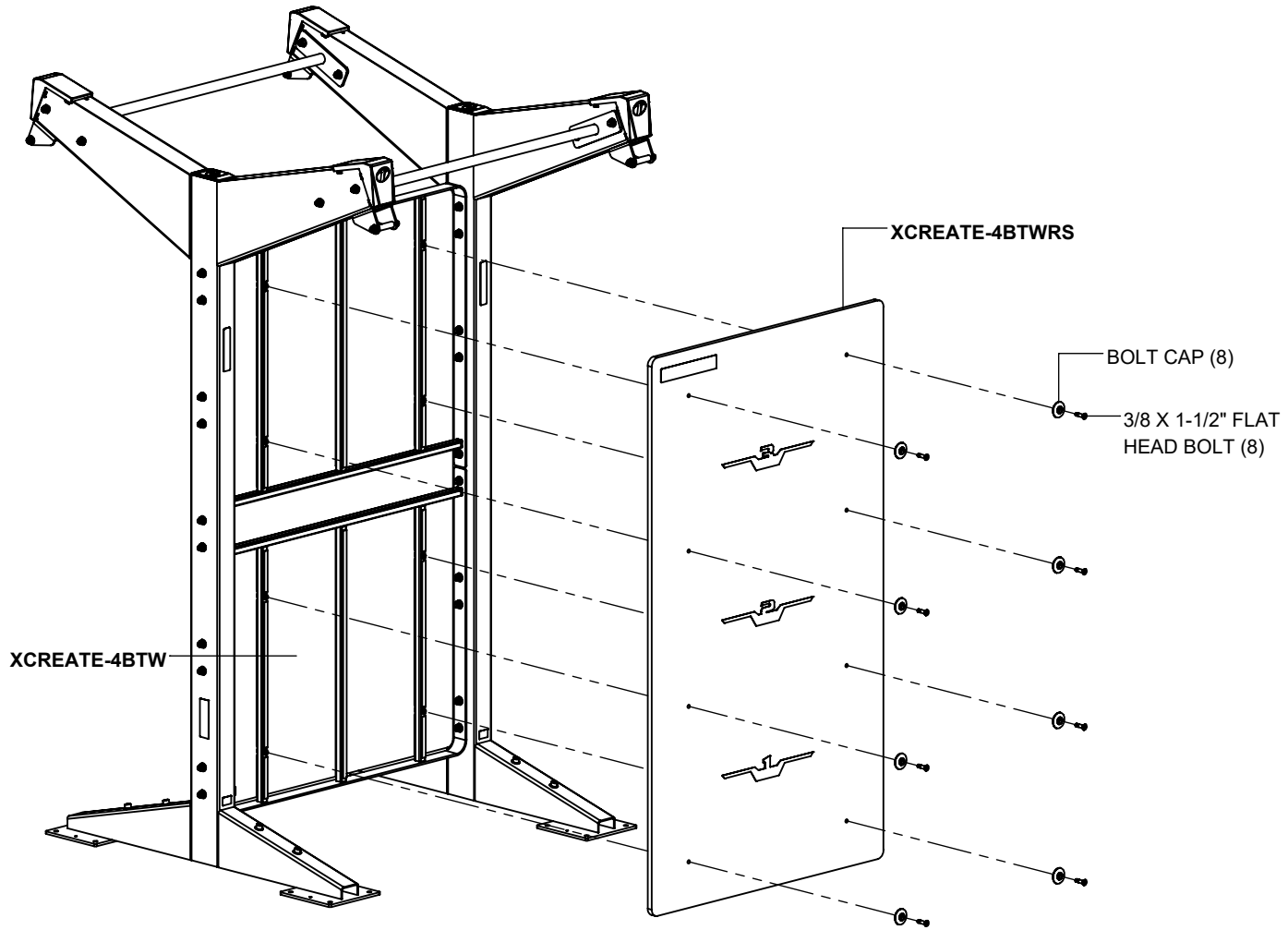


BALL TARGET WALL REVERSE SIDE



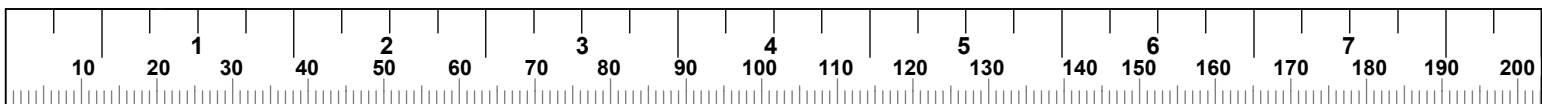
NOTE:
CUT FOAM STRIPS TO LENGTH AS SHOWN.
PEEL PROTECTIVE FILM OFF THE BACK OF
THE FOAM STRIPS AND ATTACH TO FRAME
OF BALL TARGET WALL AS SHOWN ABOVE.

BALL TARGET WALL REVERSE SIDE

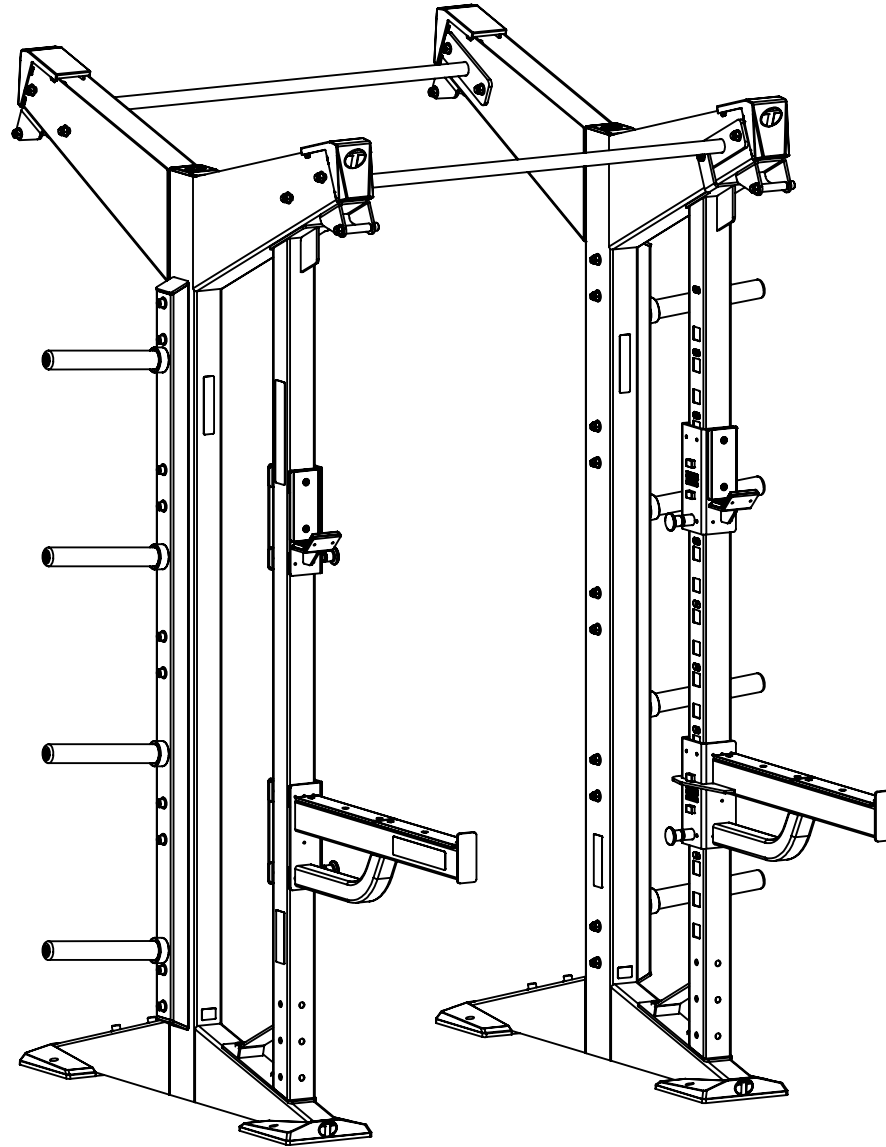


NOTE:

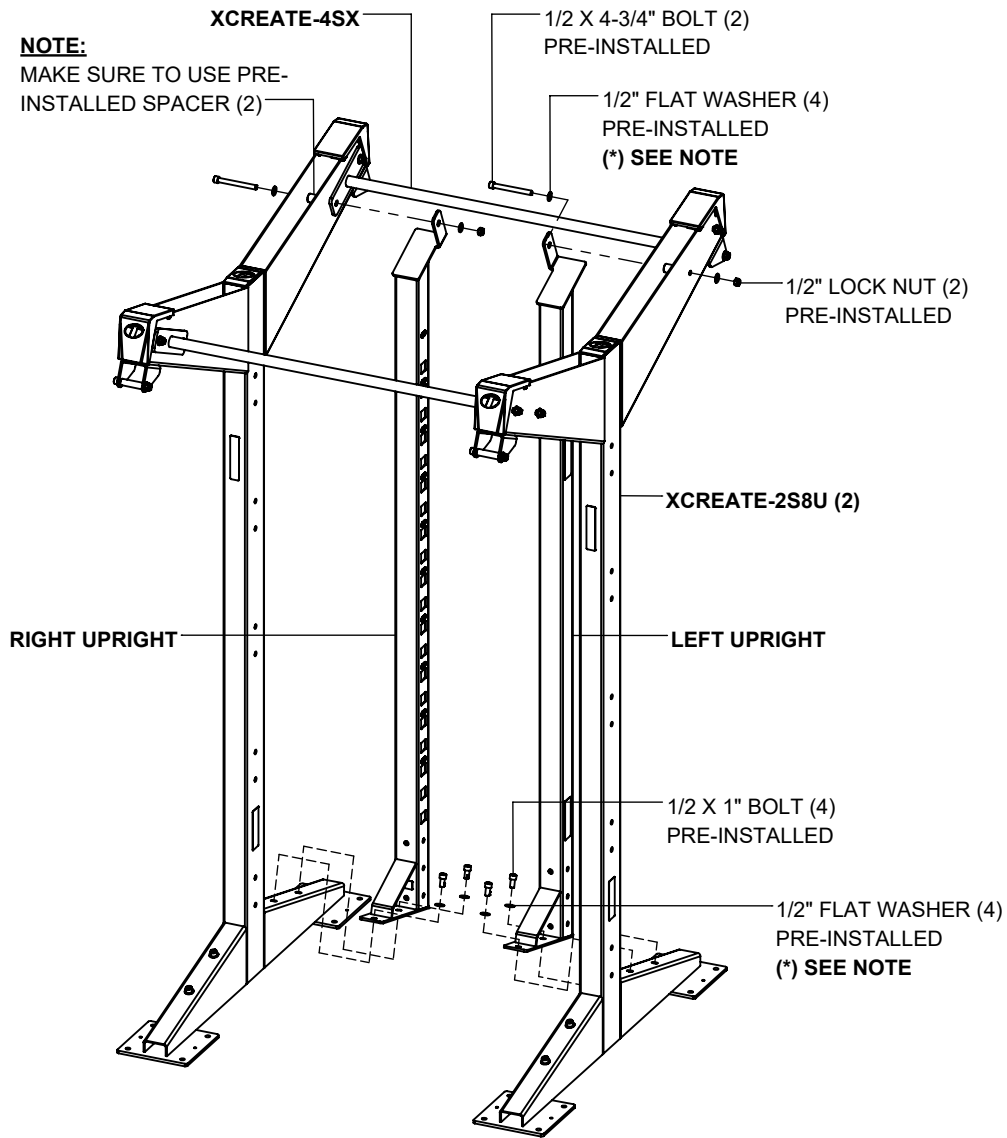
SECURELY tighten all bolt connections in this step.



8' OLYMPIC LIFTING STATION MODULE



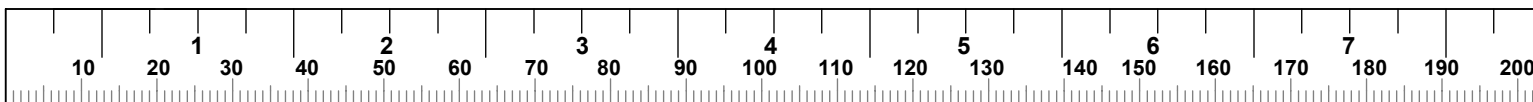
8' OLYMPIC LIFTING STATION MODULE



NOTES:

SECURELY tighten all bolt connections in this step.

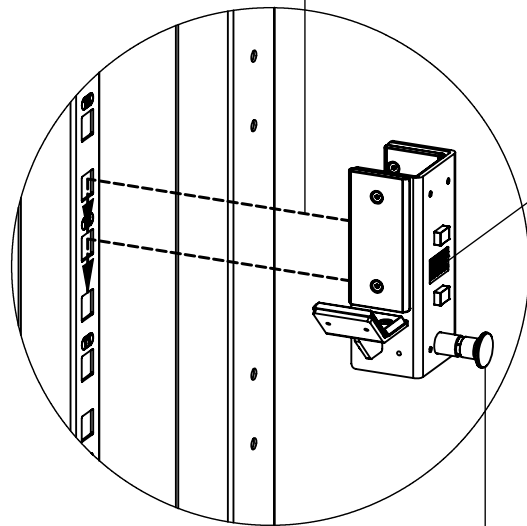
(*) **HARDWARE COVERS** CAN be used in place of washers in this step. (SEE PAGE 3).



8' OLYMPIC LIFTING STATION MODULE

NOTE:

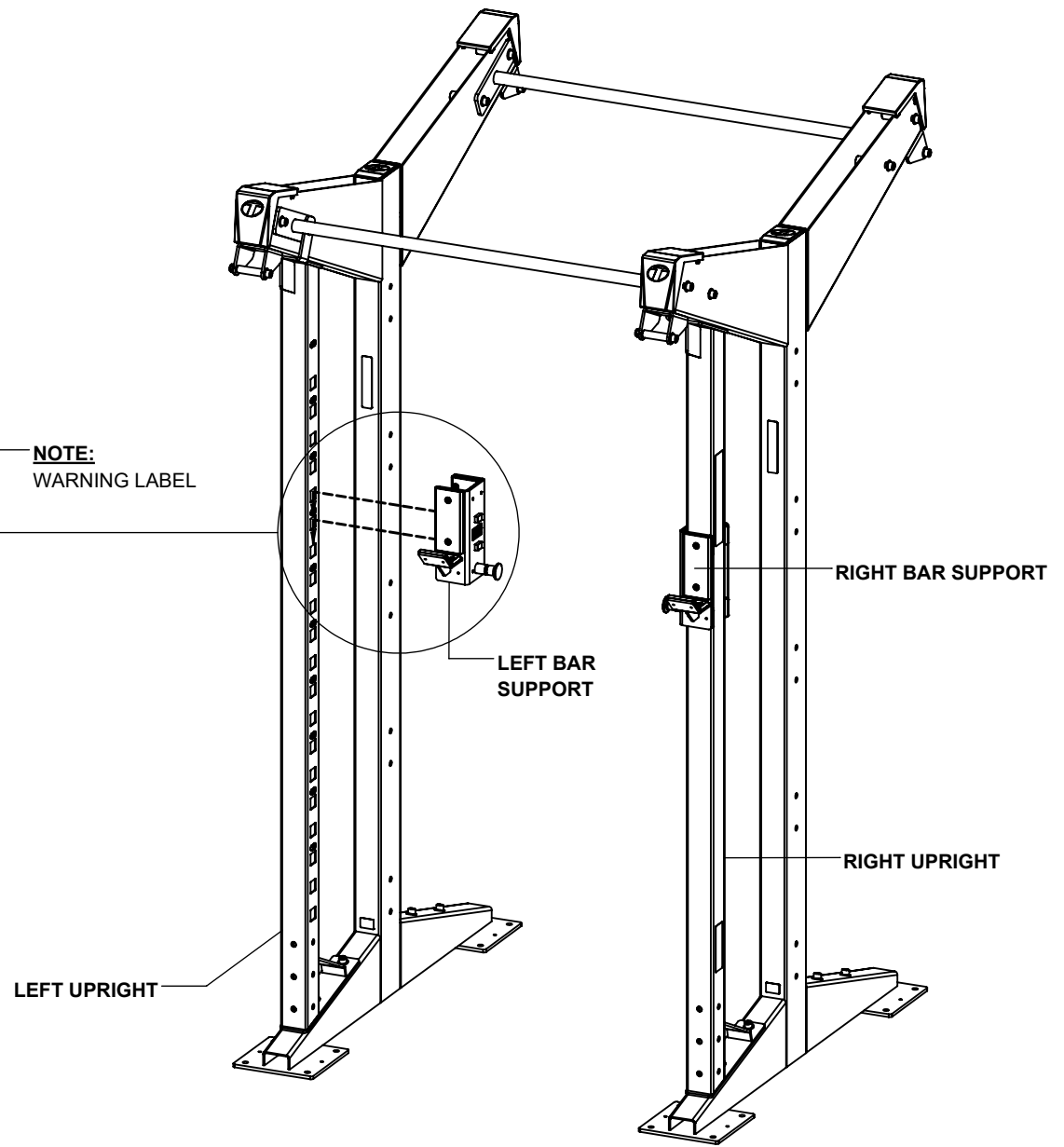
INSERT BAR SUPPORTS INTO DESIRED SLOTS ON UPRIGHTS. PUSH DOWN TO LOCK IN PLACE



NOTE:
WARNING LABEL

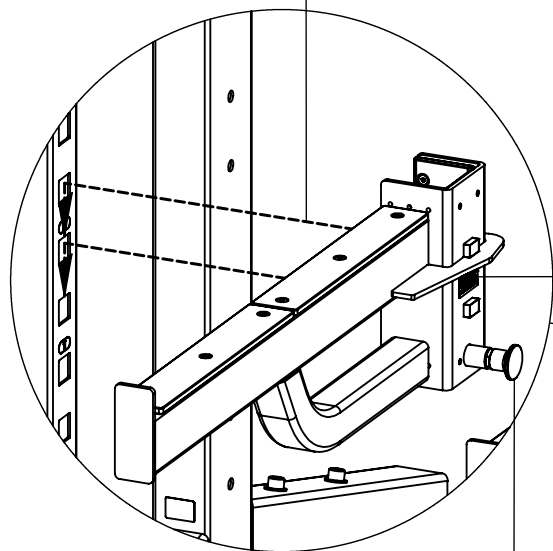
NOTE:

TO REMOVE BAR SUPPORTS FROM UPRIGHTS, PULL SPRING PIN OUT TO UNLOCK. LIFT UP AND PULL OUT



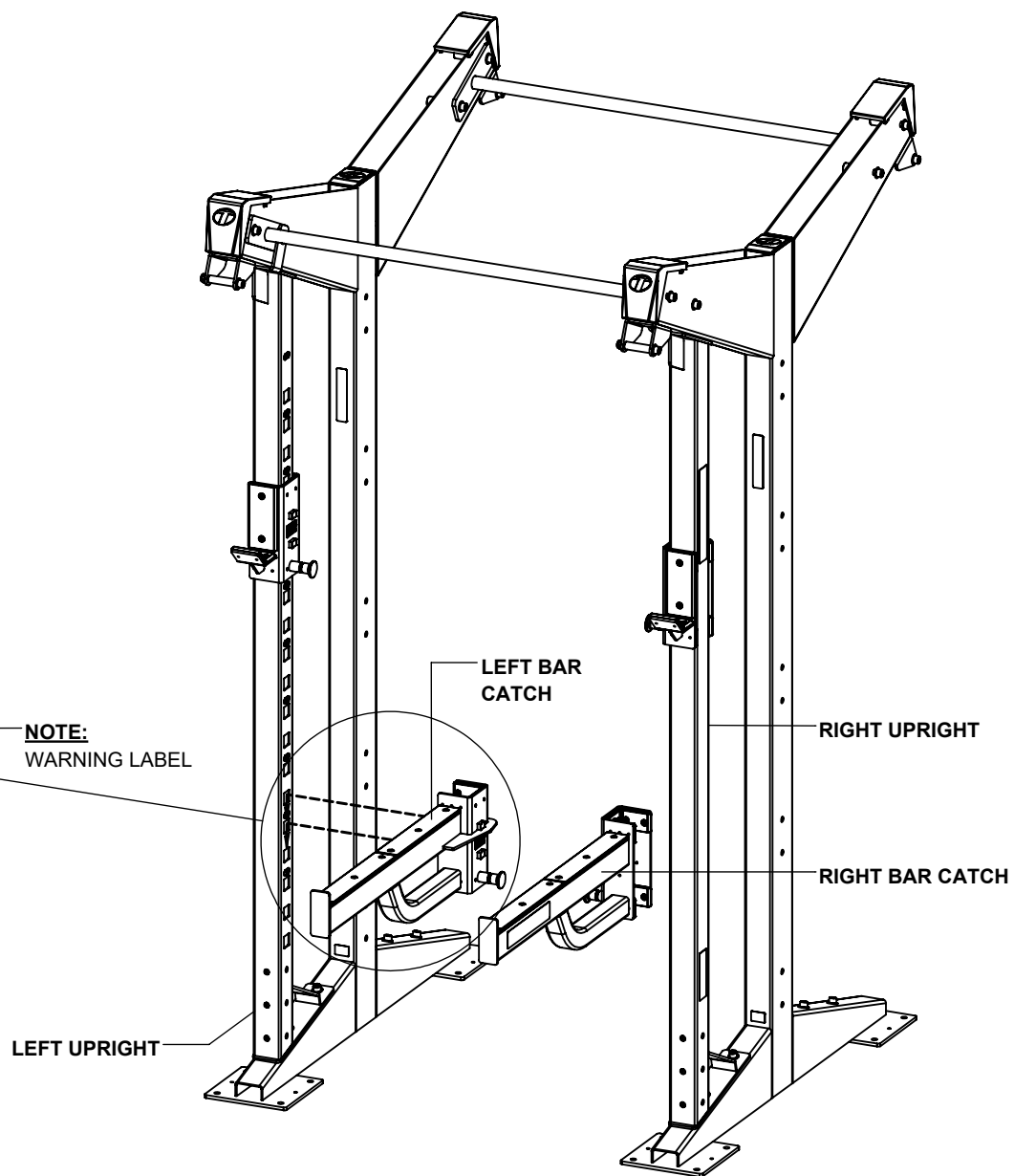
8' OLYMPIC LIFTING STATION MODULE

NOTE:
INSERT BAR CATCHES INTO
DESIRED SLOTS ON UPRIGHTS.
PUSH DOWN TO LOCK IN PLACE

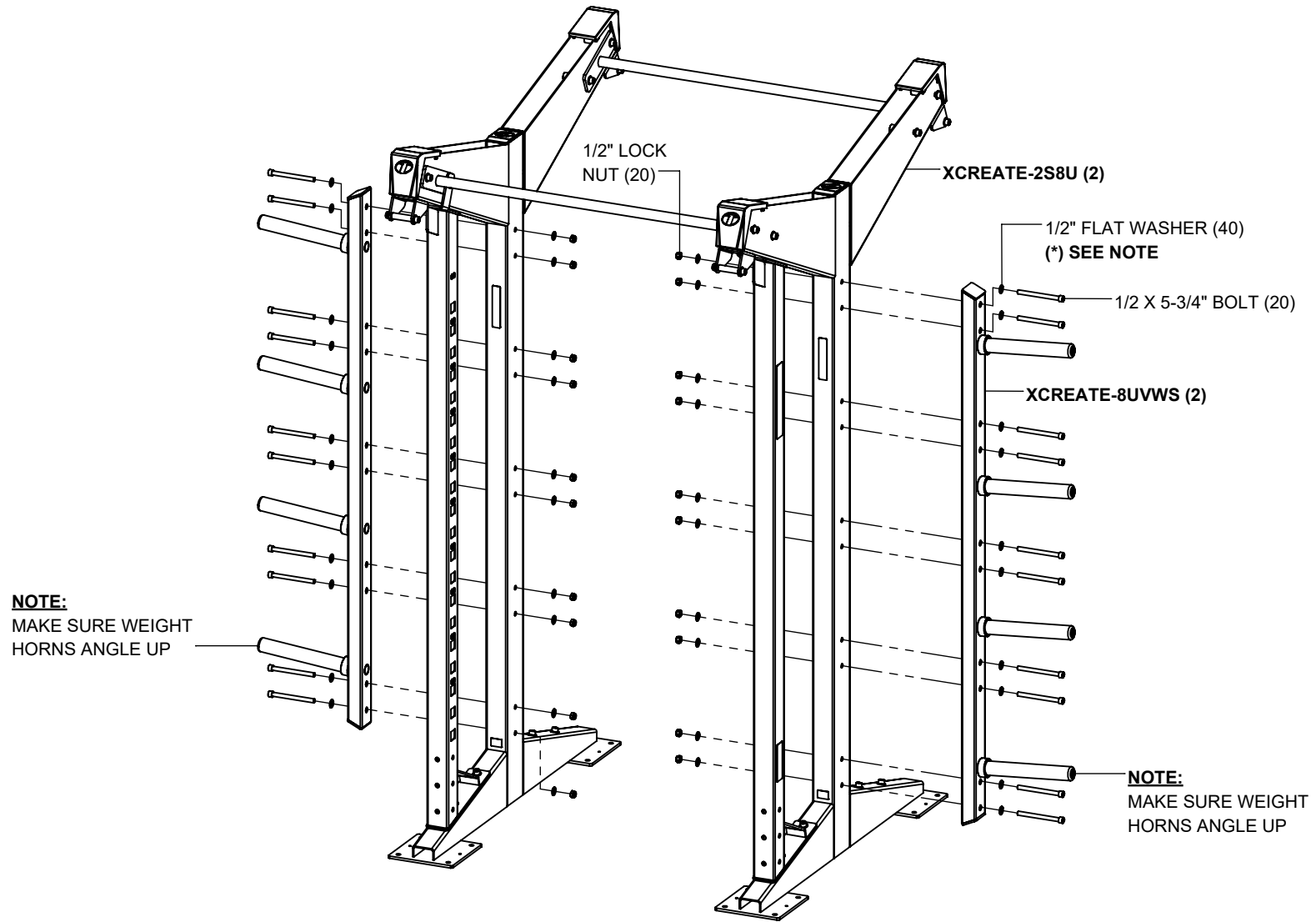


NOTE:
WARNING LABEL

NOTE:
TO REMOVE BAR CATCHES FROM
UPRIGHTS, PULL SPRING PIN OUT TO
UNLOCK. LIFT UP AND PULL OUT



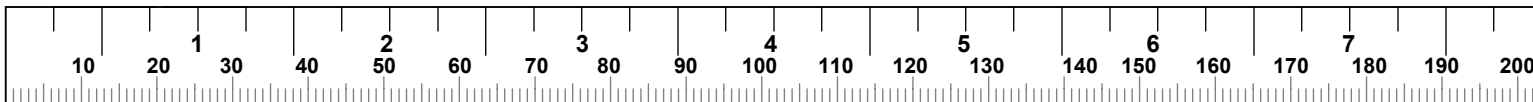
8' OLYMPIC LIFTING STATION MODULE



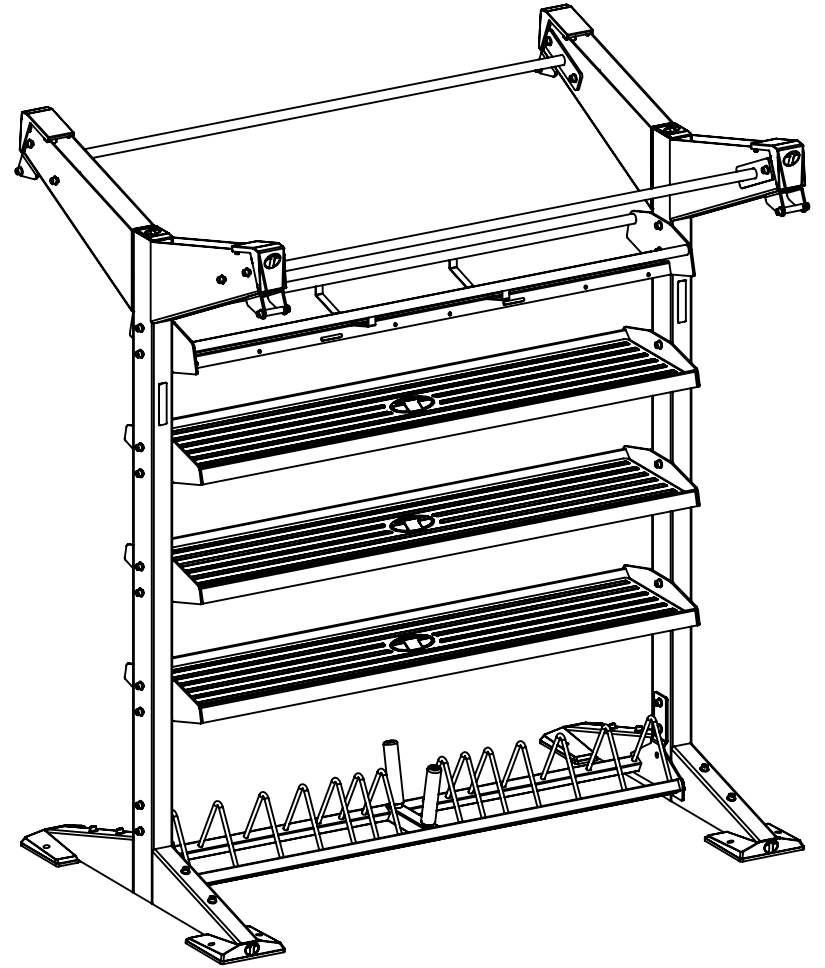
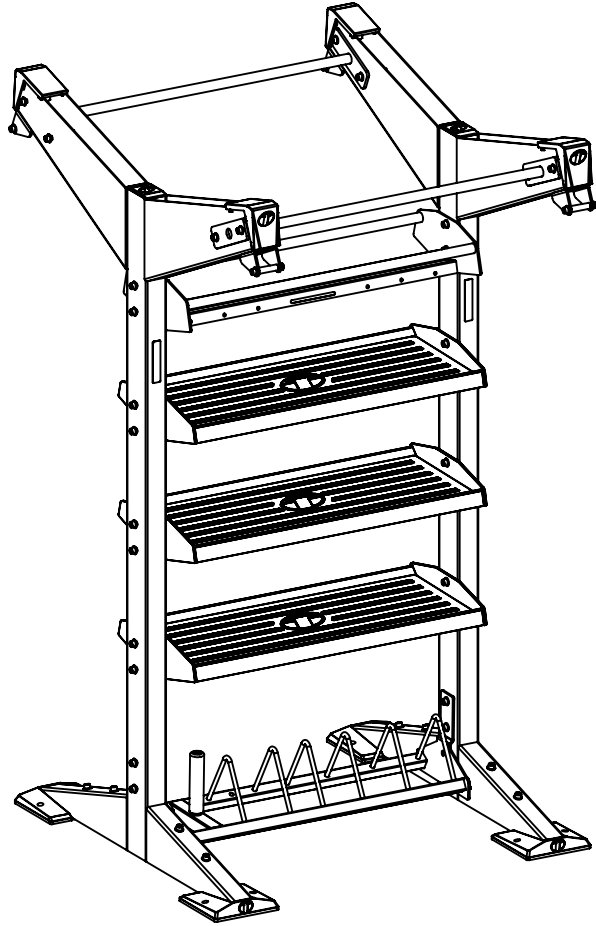
NOTES:

SECURELY tighten all bolt connections in this step.

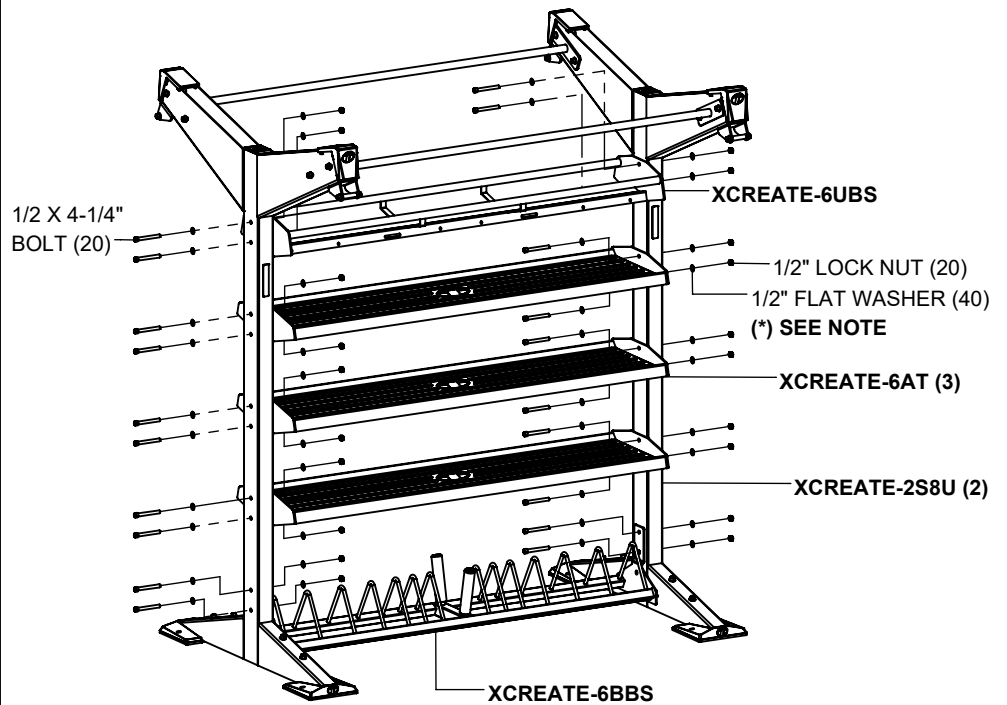
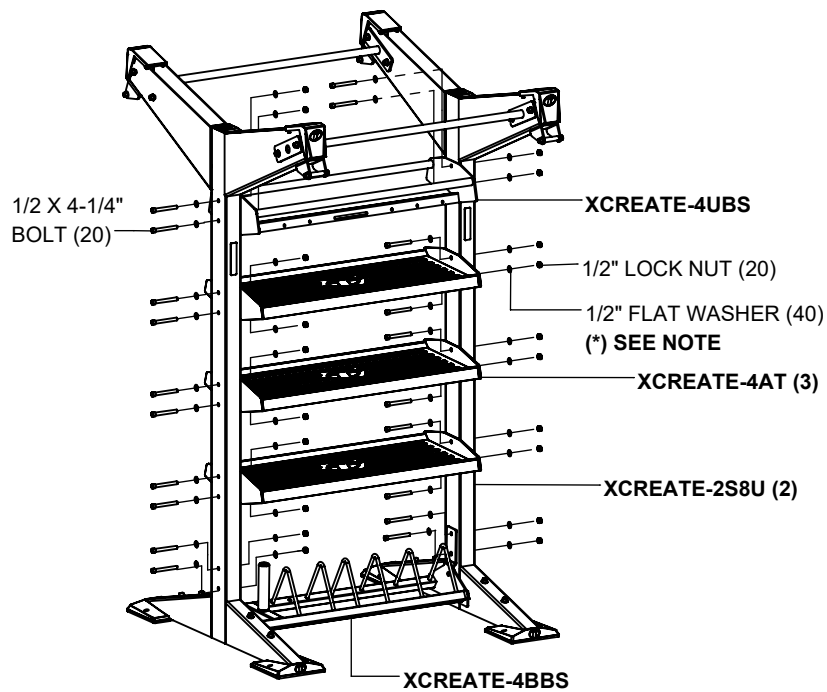
(* **HARDWARE COVERS CAN** be used in place of washers in this step. (SEE PAGE 3).



**4' / 6' ACCESSORY & BUMPER BOOKSHELF STORAGE
MODULE**



4' / 6' ACCESSORY & BUMPER BOOKSHELF STORAGE MODULE

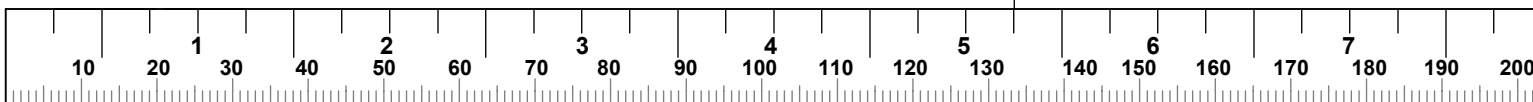


NOTES:

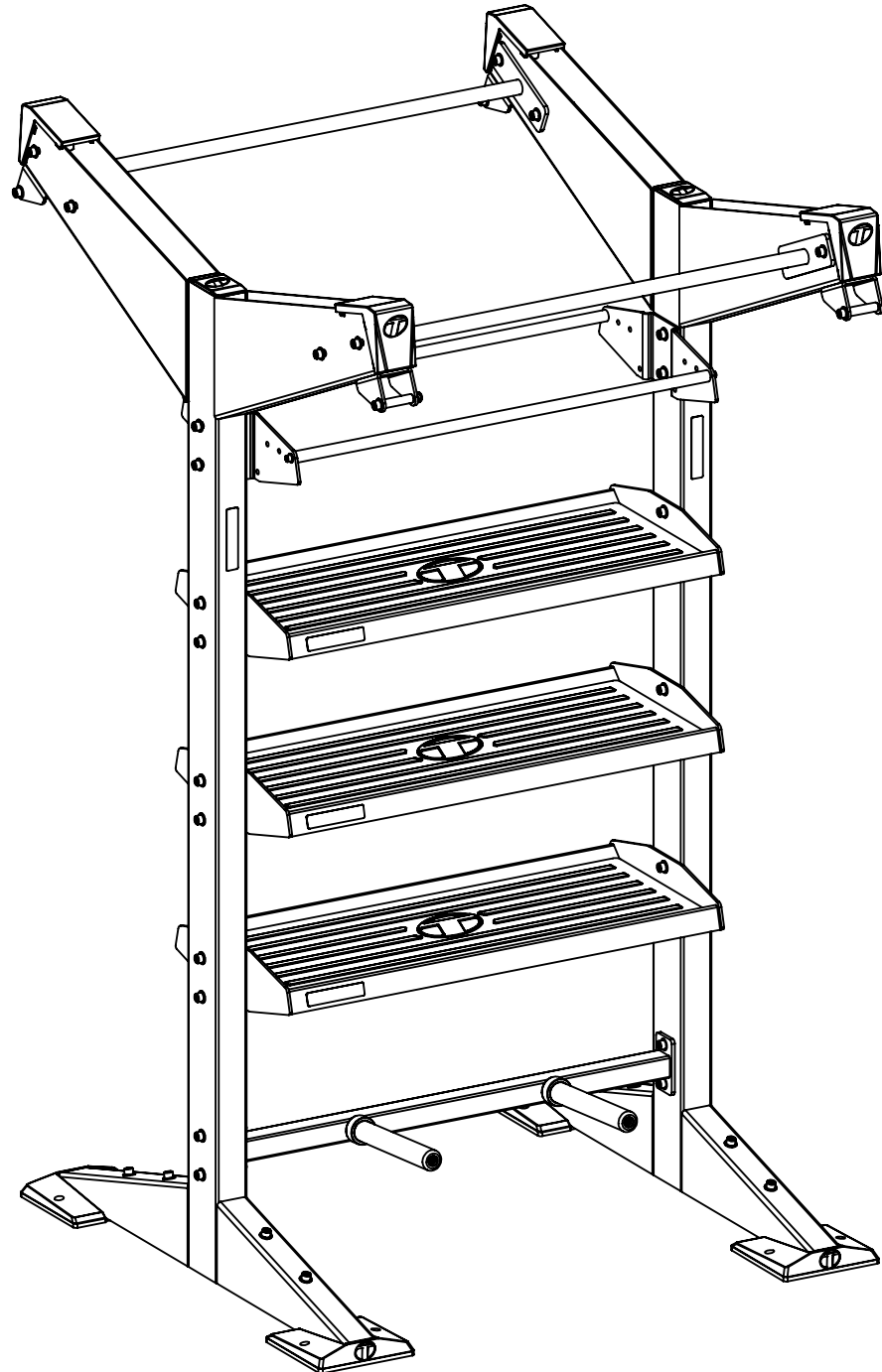
LOOSELY assemble bolt connections in this step.

(*) **HARDWARE COVERS CAN** be used in place of washers in this step. (SEE PAGE 3).

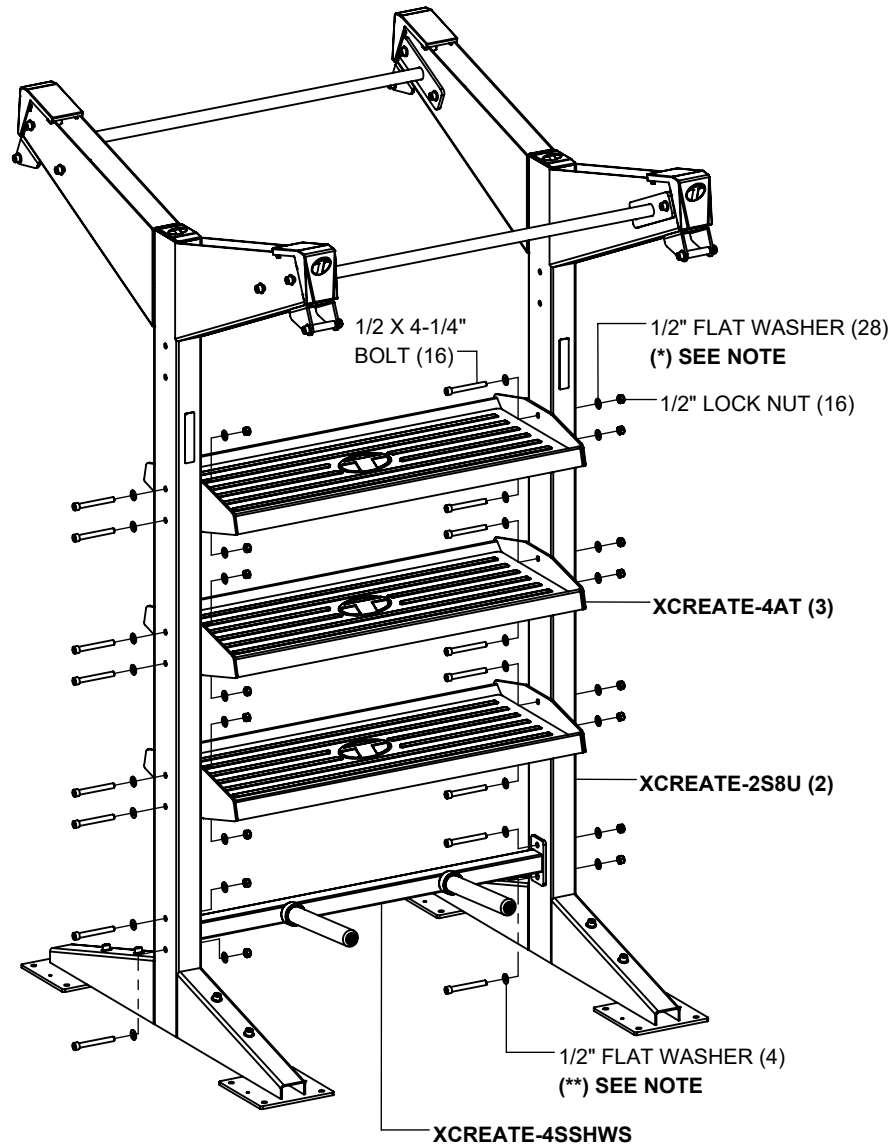
(**) **HARDWARE COVERS CANNOT** be used on plate side.



4' ACCESSORY/WEIGHT STORAGE MODULE



4' ACCESSORY/WEIGHT STORAGE MODULE

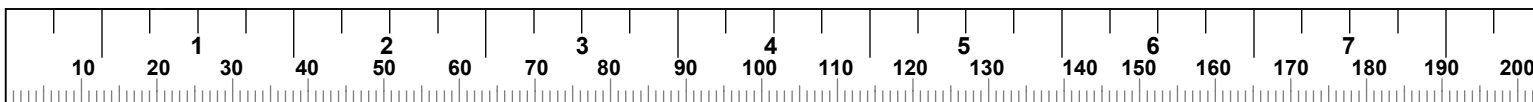


NOTES:

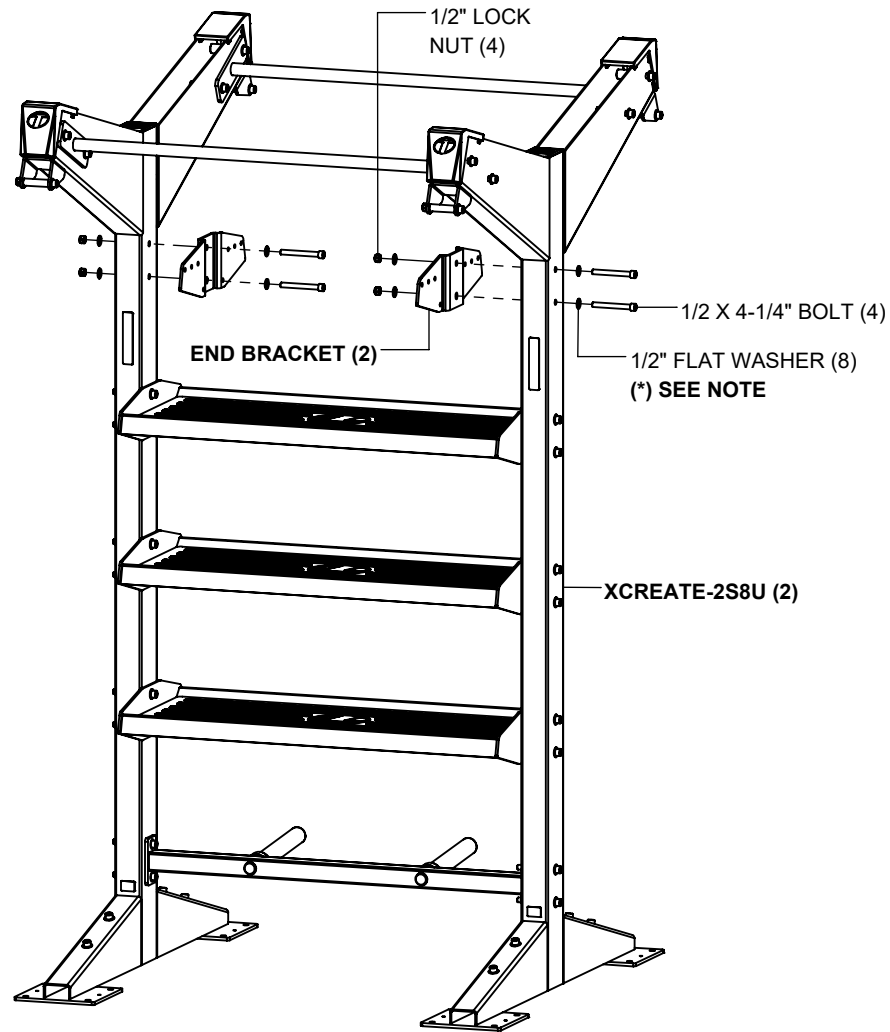
LOOSELY assemble bolt connections in this step.

(*) HARDWARE COVERS **CAN** be used in place of washers in this step. (SEE PAGE 3).

(**) HARDWARE COVERS **CANNOT** be used on plate side.



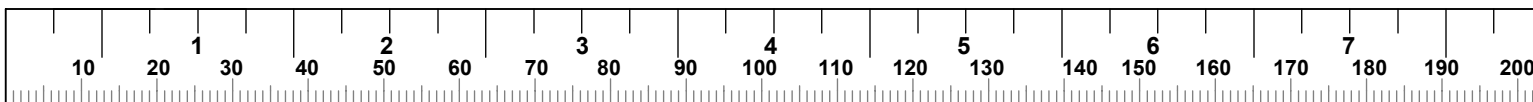
4' ACCESSORY/WEIGHT STORAGE MODULE



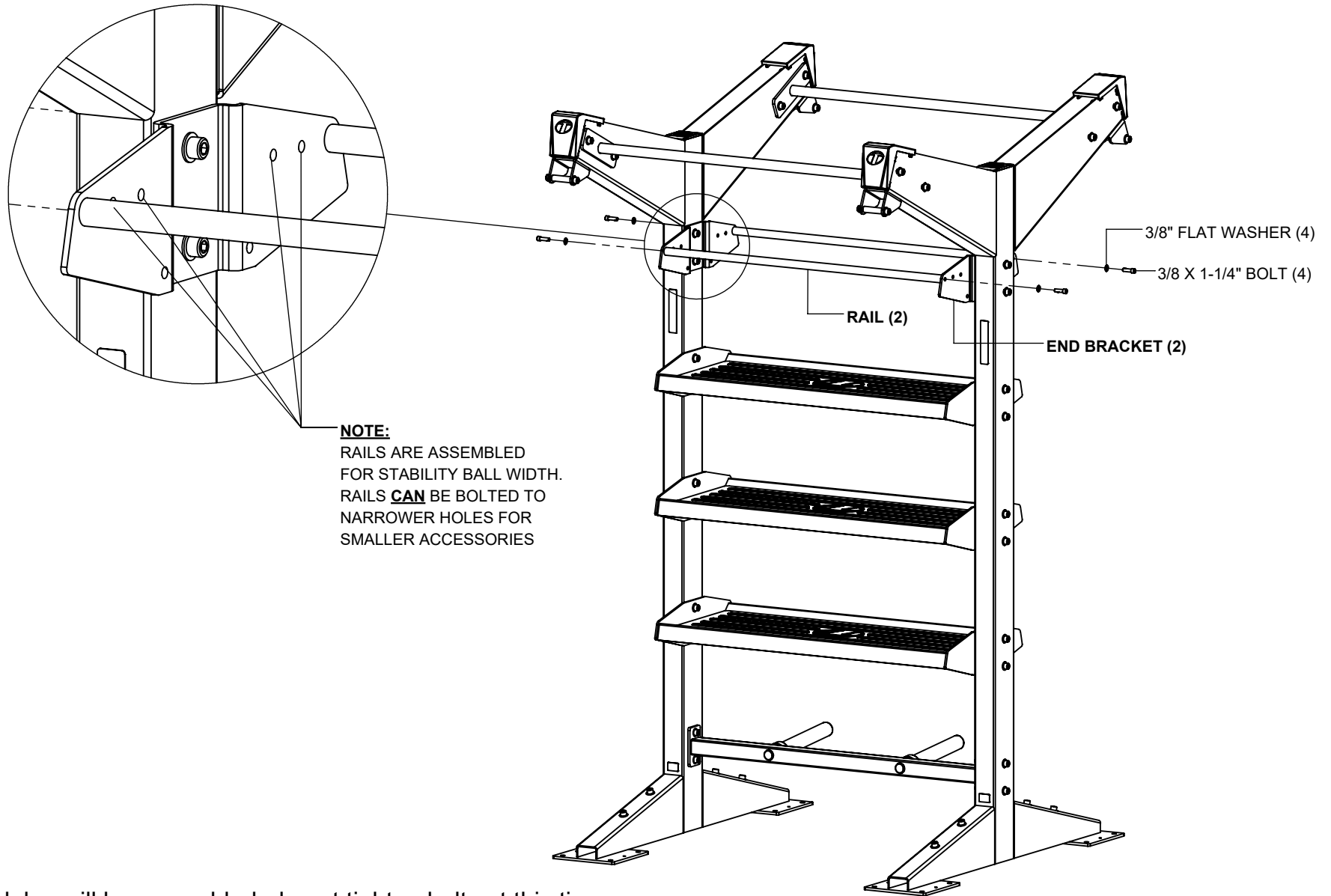
NOTES:

LOOSELY assemble bolt connections in this step.

(* **HARDWARE COVERS** **CAN** be used in place of washers in this step. (**SEE PAGE 3**).



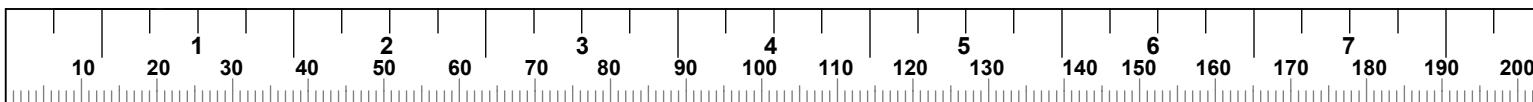
4' ACCESSORY/WEIGHT STORAGE MODULE



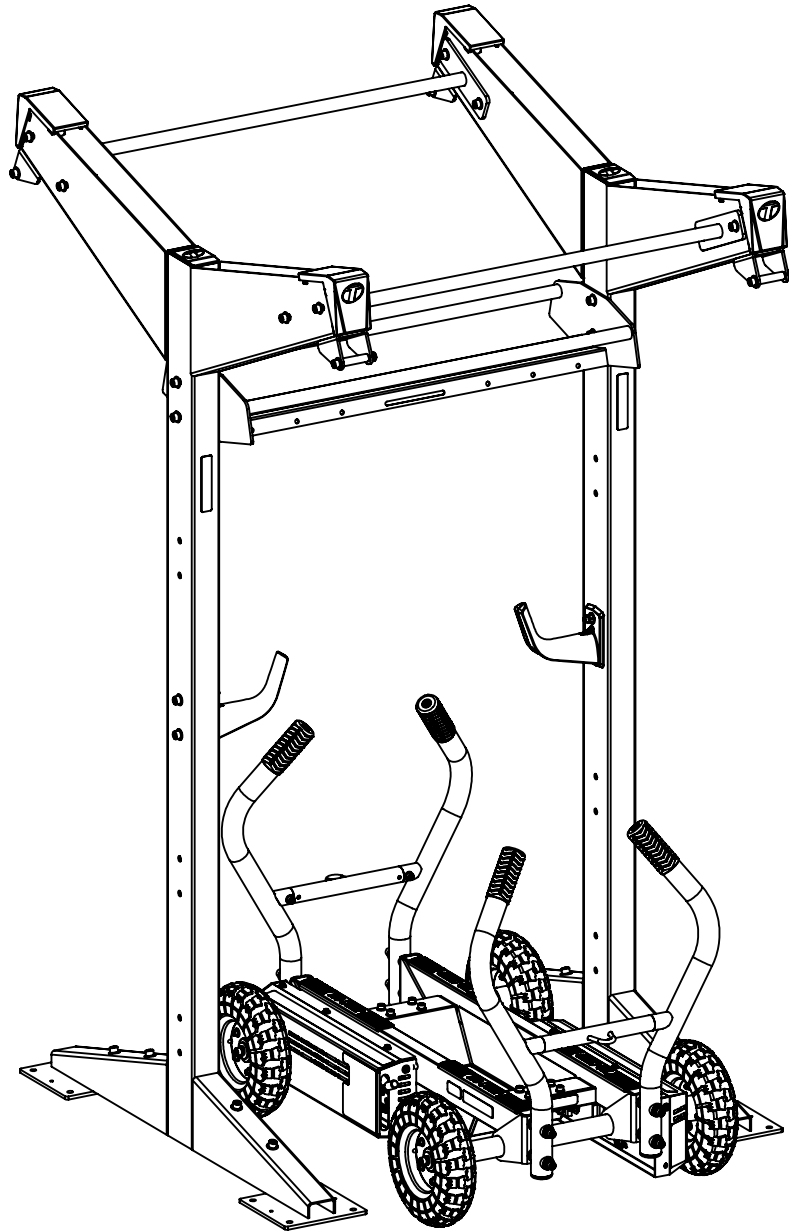
NOTE:

If more modules will be assembled, do not tighten bolts at this time.

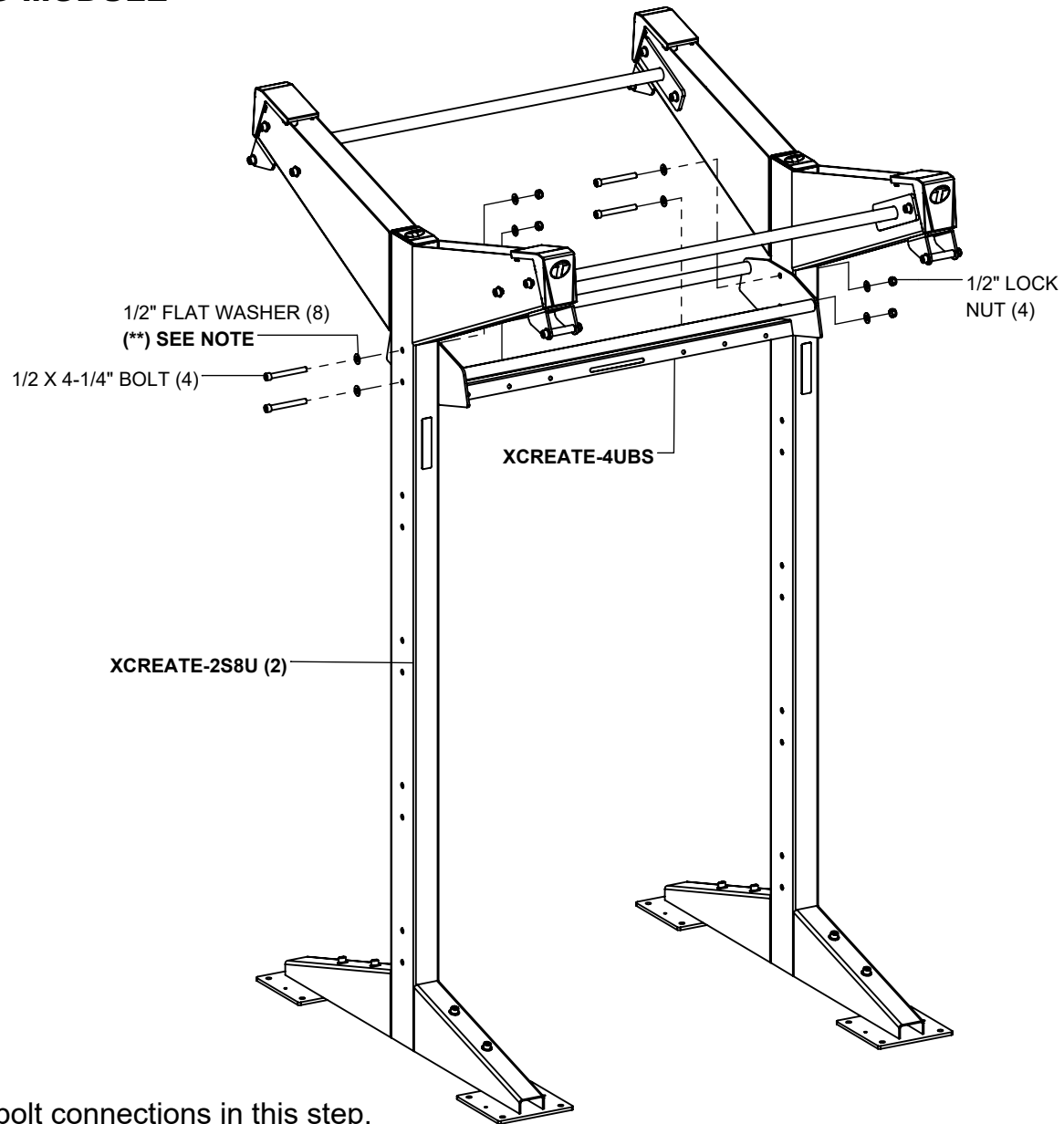
If this is the only module being assembled, then **SECURELY** tighten all bolts made in this step and previous steps.



4' TANK DOCKING MODULE



4' TANK DOCKING MODULE

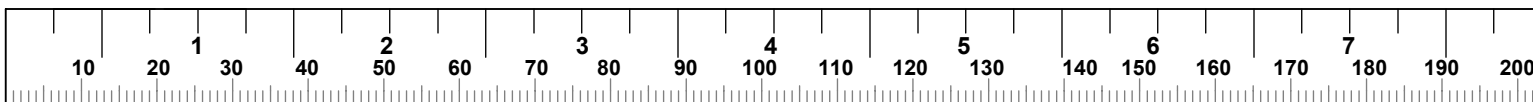


NOTES:

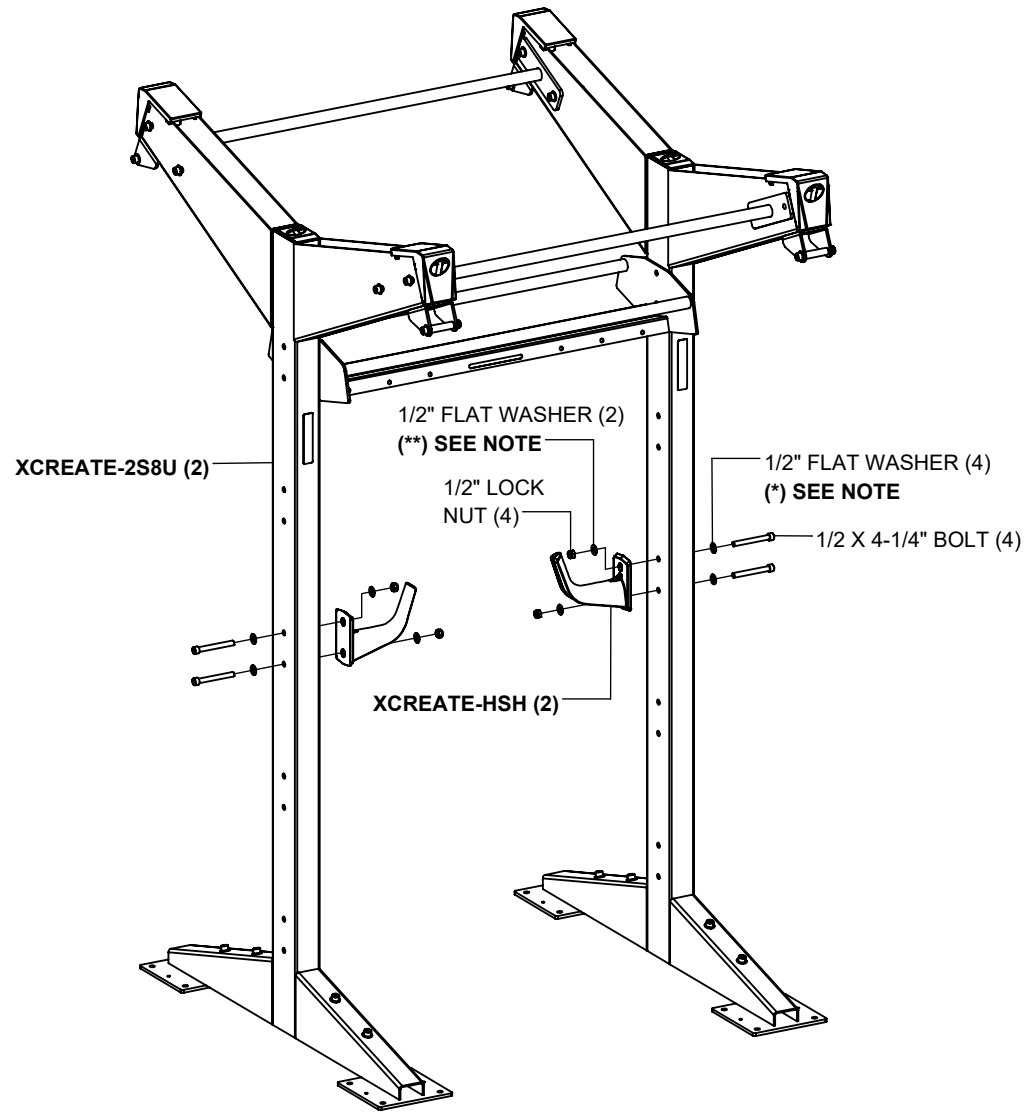
LOOSELY assemble bolt connections in this step.

(*) HARDWARE COVERS **CAN** be used in place of washers on **tube side only**. (SEE PAGE 3).

(**) HARDWARE COVERS **CANNOT** be used on plate side.



4' TANK DOCKING MODULE

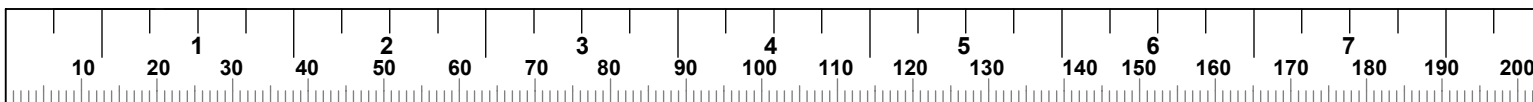


NOTES:

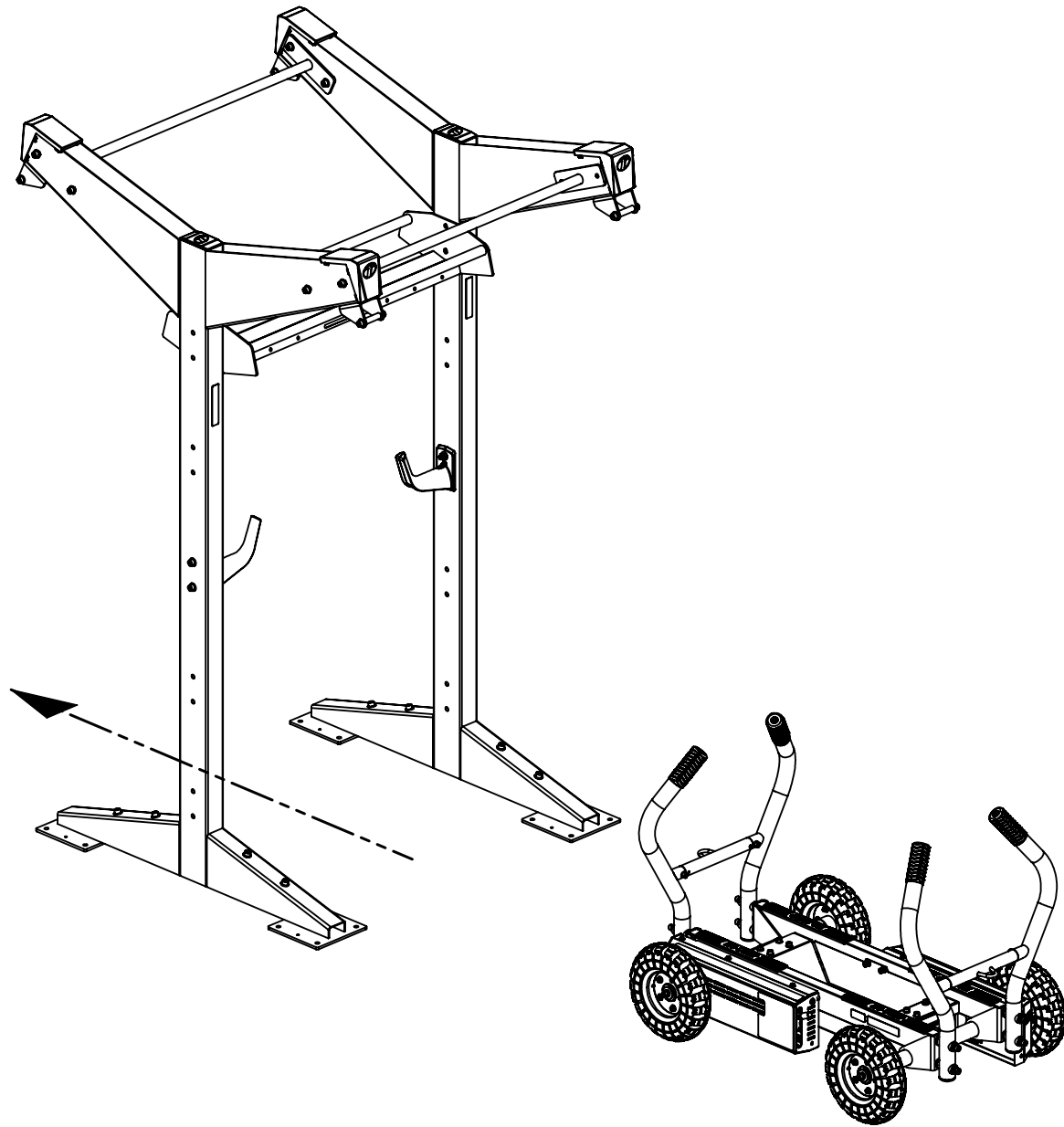
SECURELY tighten all bolt connections in this step.

(*) **HARDWARE COVERS CAN** be used in place of washers on **tube side only**. (SEE PAGE 3).

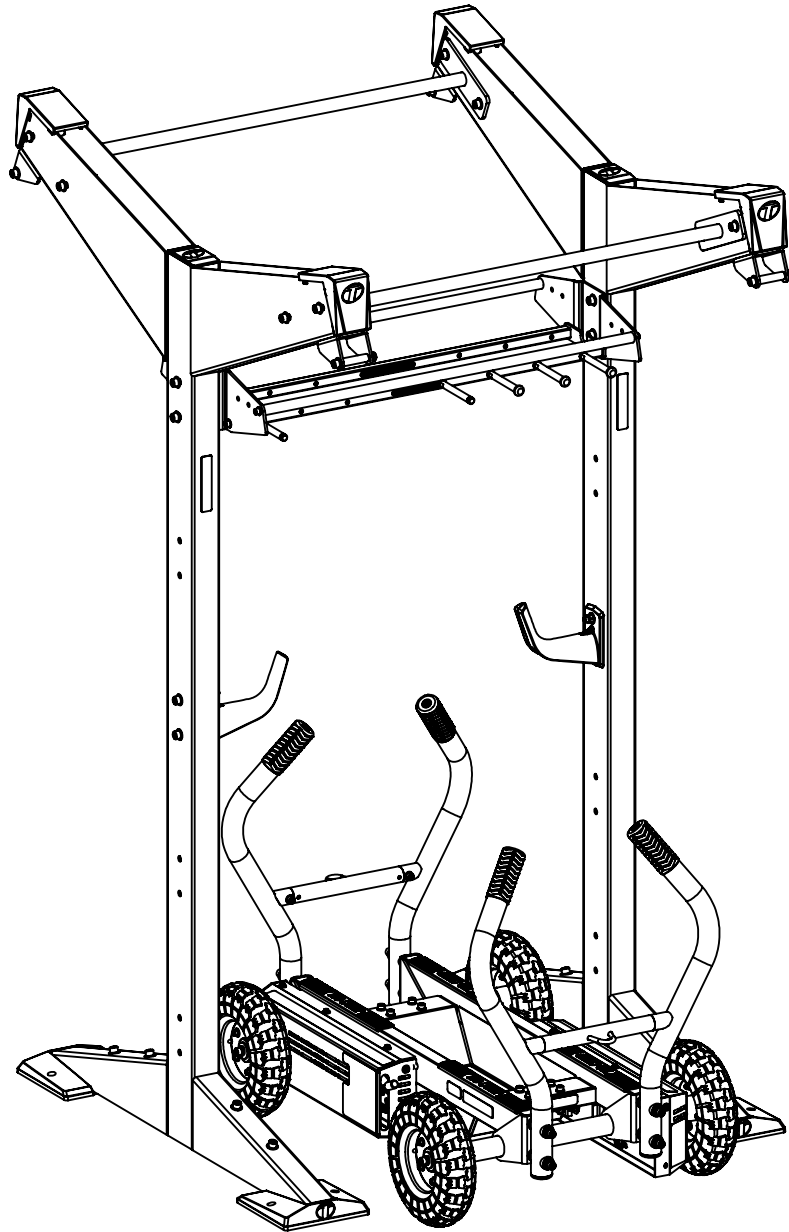
(**) **HARDWARE COVERS CANNOT** be used on HSH side.



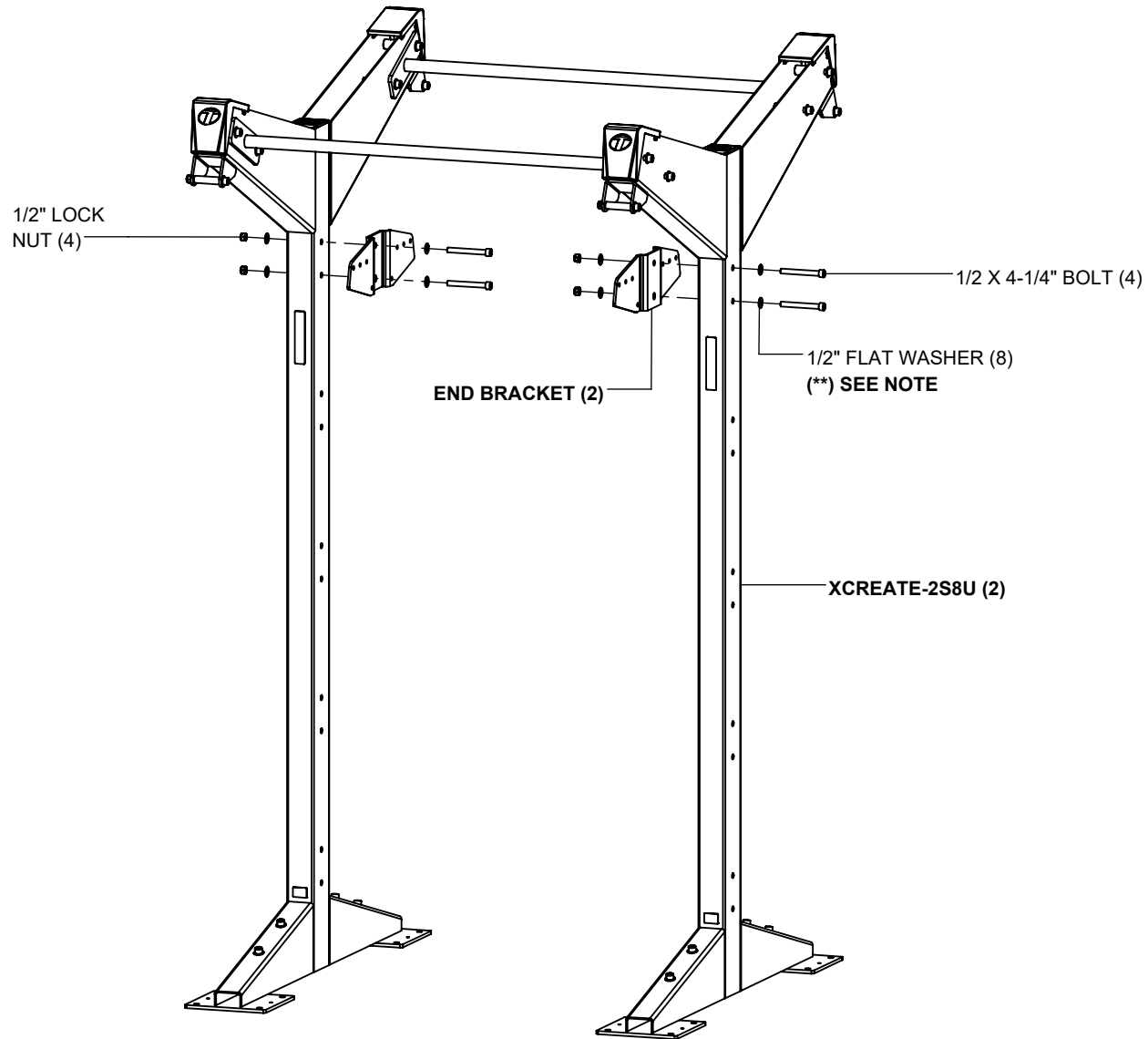
4' TANK DOCKING MODULE



4' TANK DOCKING MODULE (XCREATE-4BS)



4' TANK DOCKING MODULE (XCREATE-4BHS)

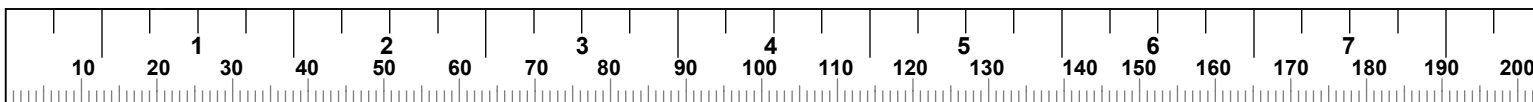


NOTES:

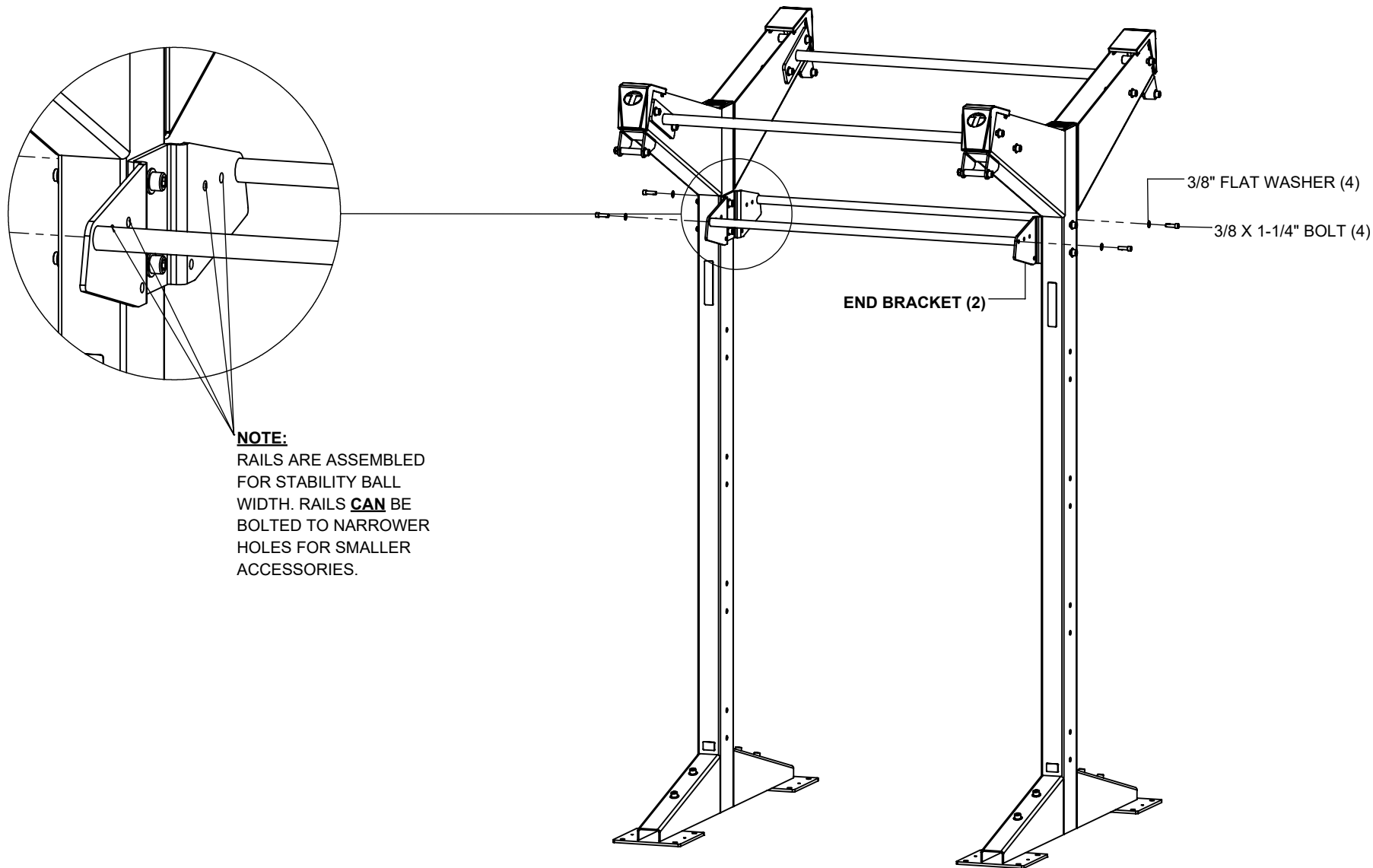
LOOSELY assemble bolt connections in this step.

(*) HARDWARE COVERS **CAN** be used in place of washers on **tube side only**. (SEE PAGE 3).

(**) HARDWARE COVERS **CANNOT** be used on plate side.

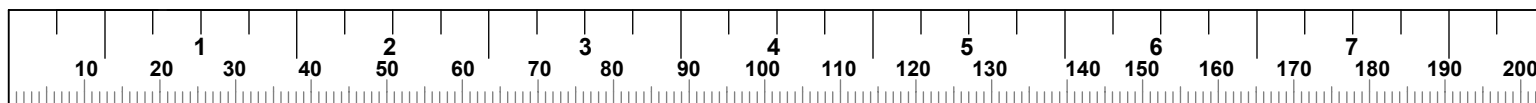


4' TANK DOCKING MODULE (XCREATE-4BHS)

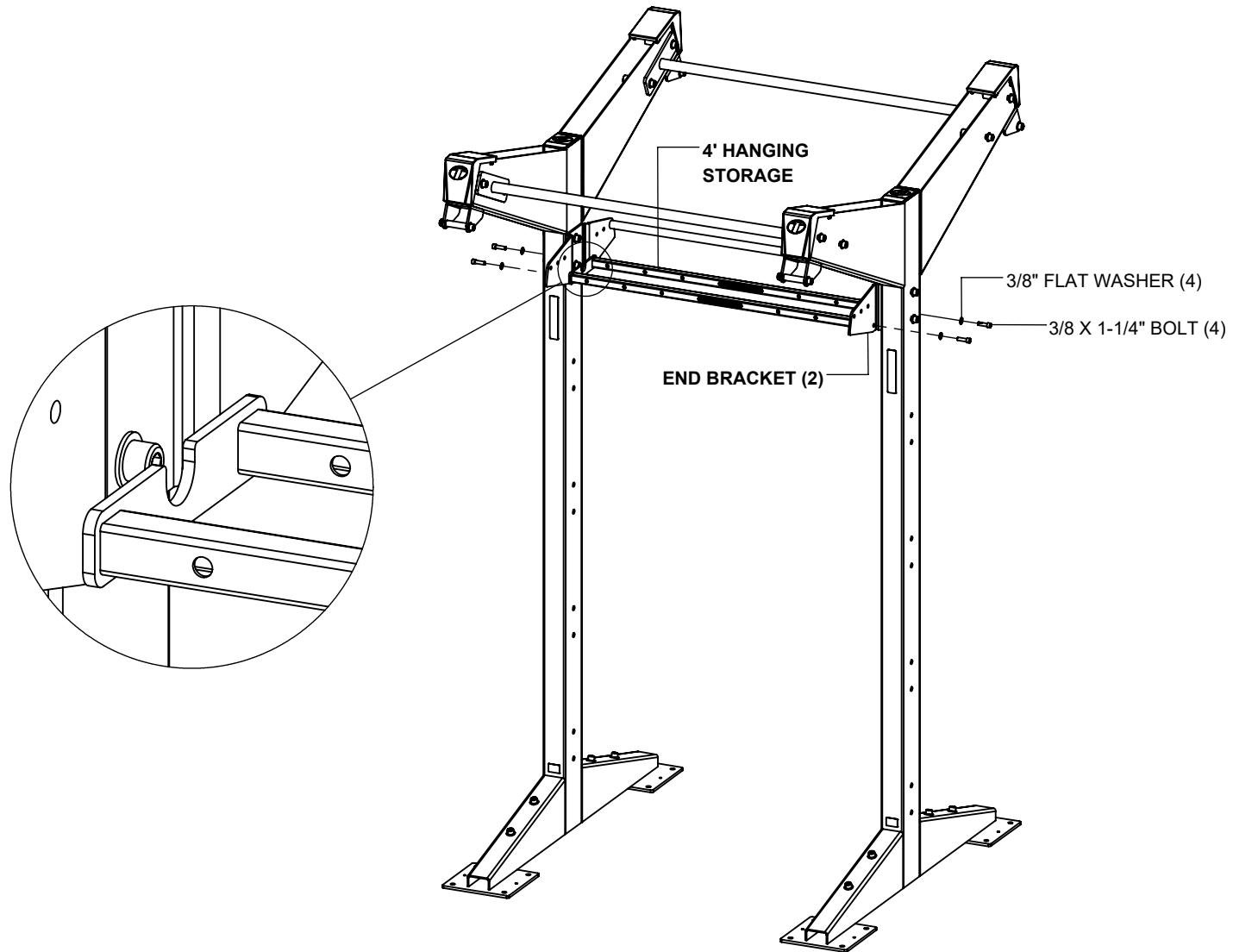


NOTE:

LOOSELY assemble bolt connections in this step.



4' TANK DOCKING MODULE (XCREATE-4BHS)

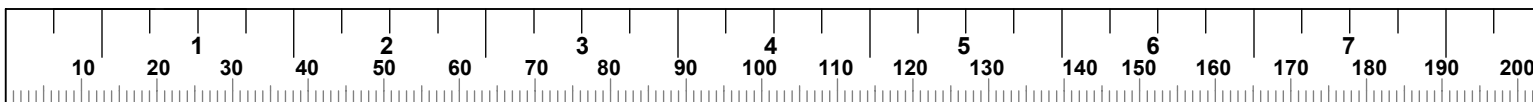


NOTE:

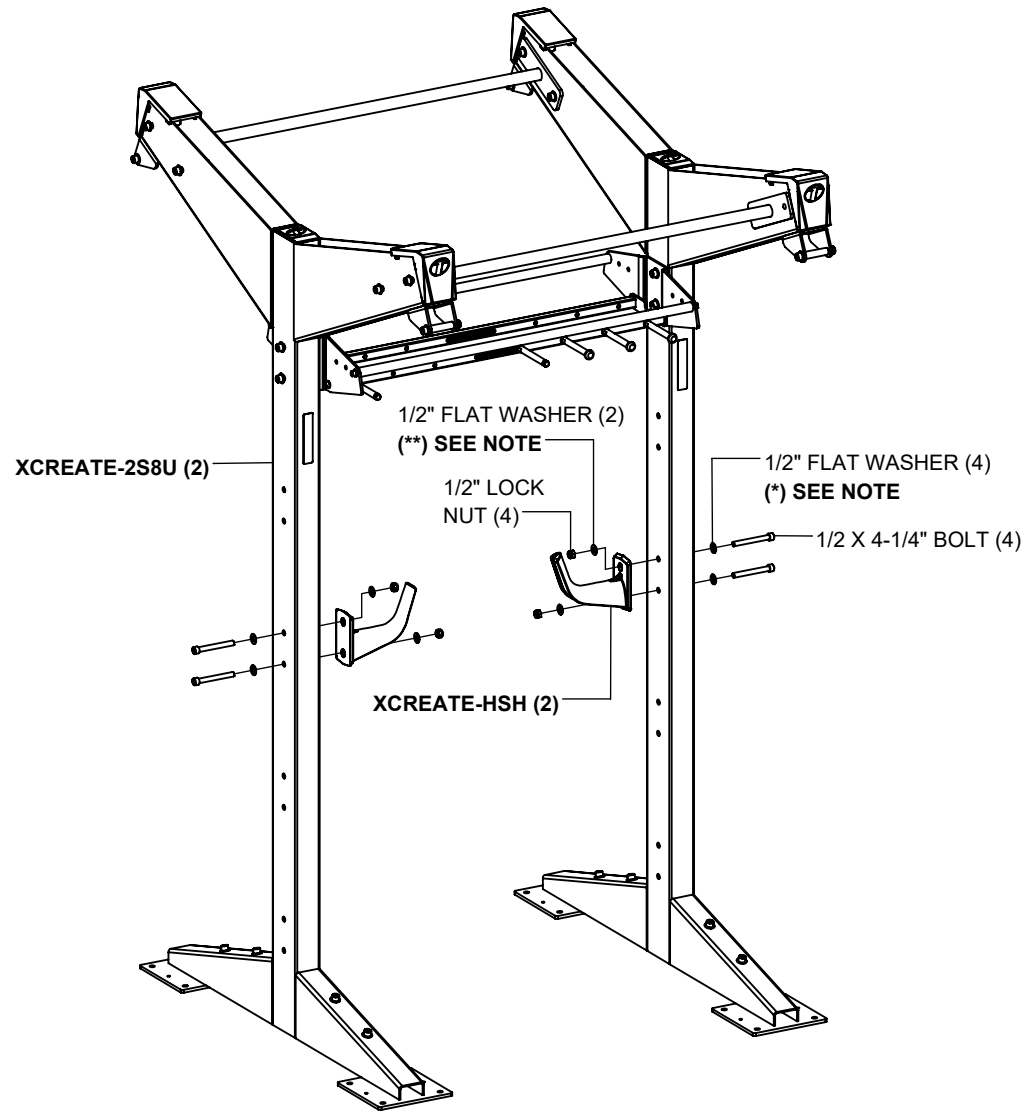
If more modules will be assembled, do not tighten bolts at this time.

If this is the only module being assembled, then **SECURELY** tighten all bolts made in this step and previous steps.

Some parts have been hidden for assembly clarity.



4' TANK DOCKING MODULE (XCREATE-4BHS)

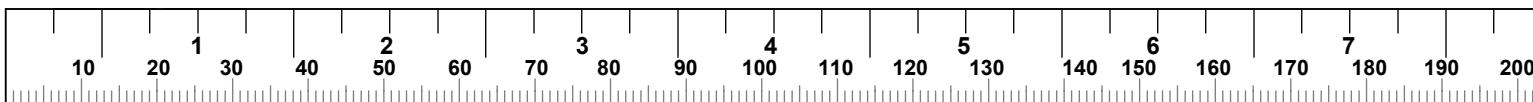


NOTES:

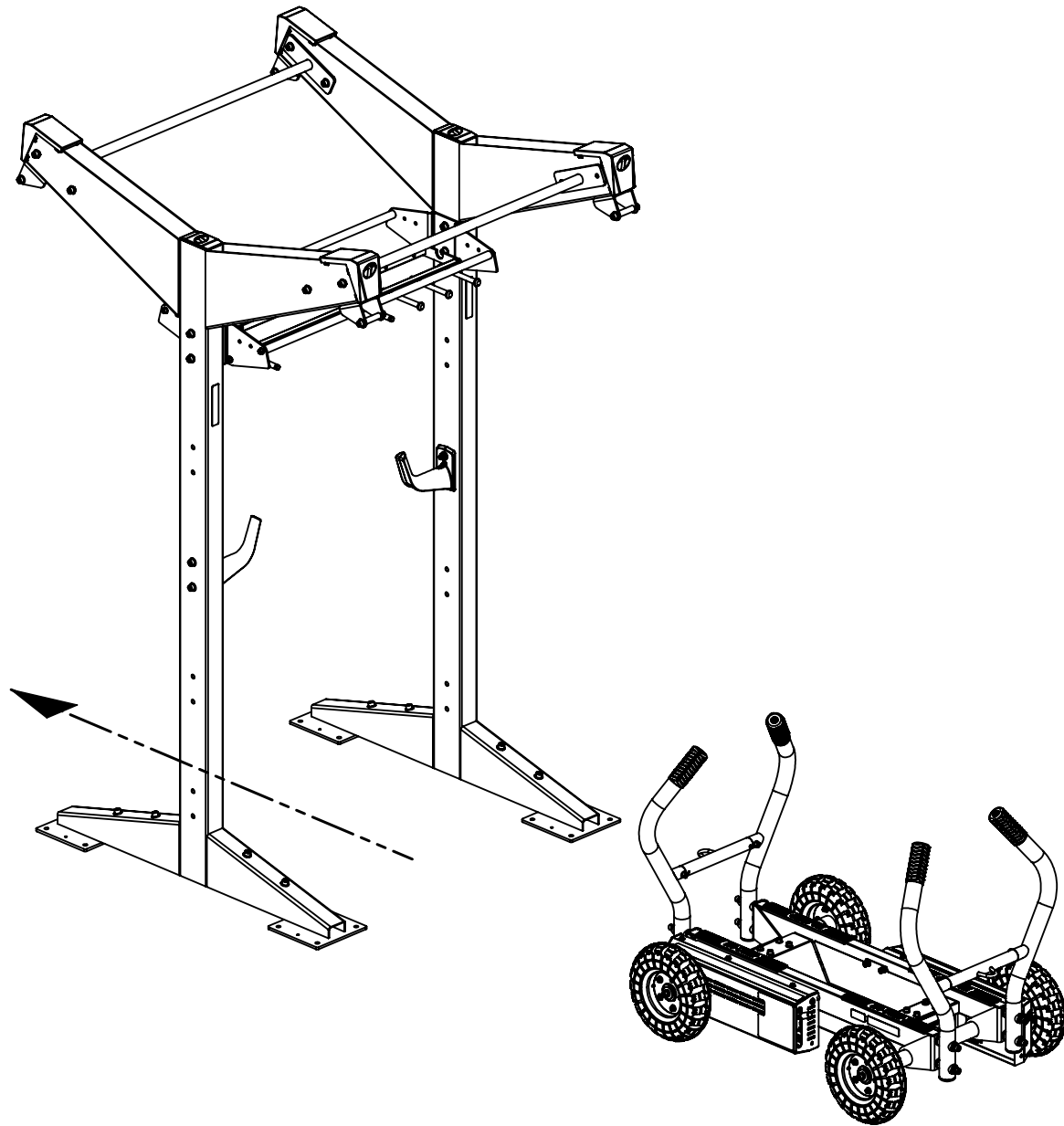
SECURELY tighten all bolt connections in this step.

(*) HARDWARE COVERS **CAN** be used in place of washers on **tube side only**. (SEE PAGE 3).

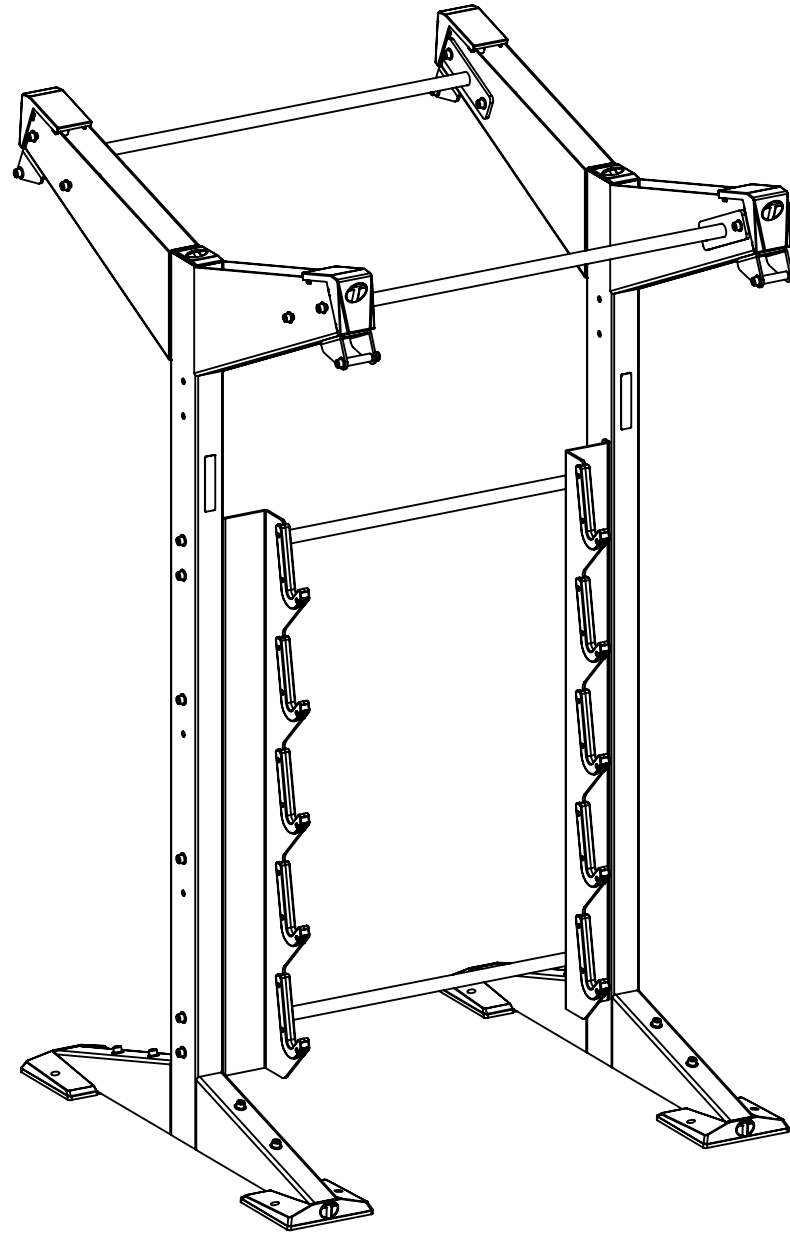
(**) HARDWARE COVERS **CANNOT** be used on HSH side.



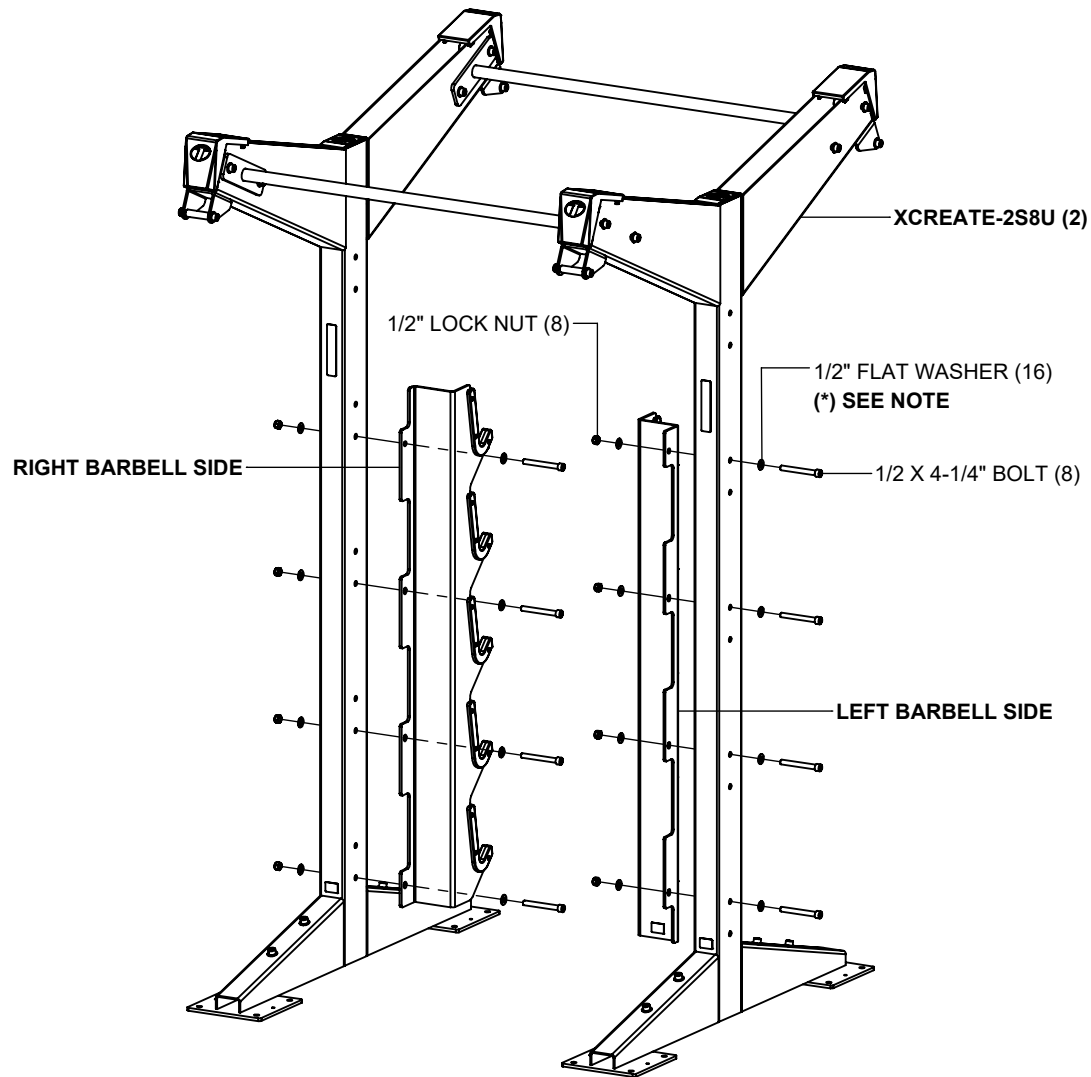
4' TANK DOCKING MODULE (XCREATE-4BHS)



4' X 5 BARBELL STORAGE MODULE



4' X 5 BARBELL STORAGE MODULE (WITHOUT CONNECTOR)

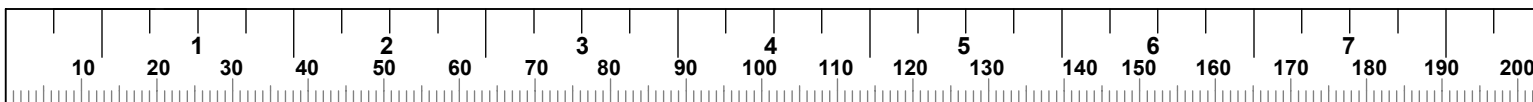


NOTES:

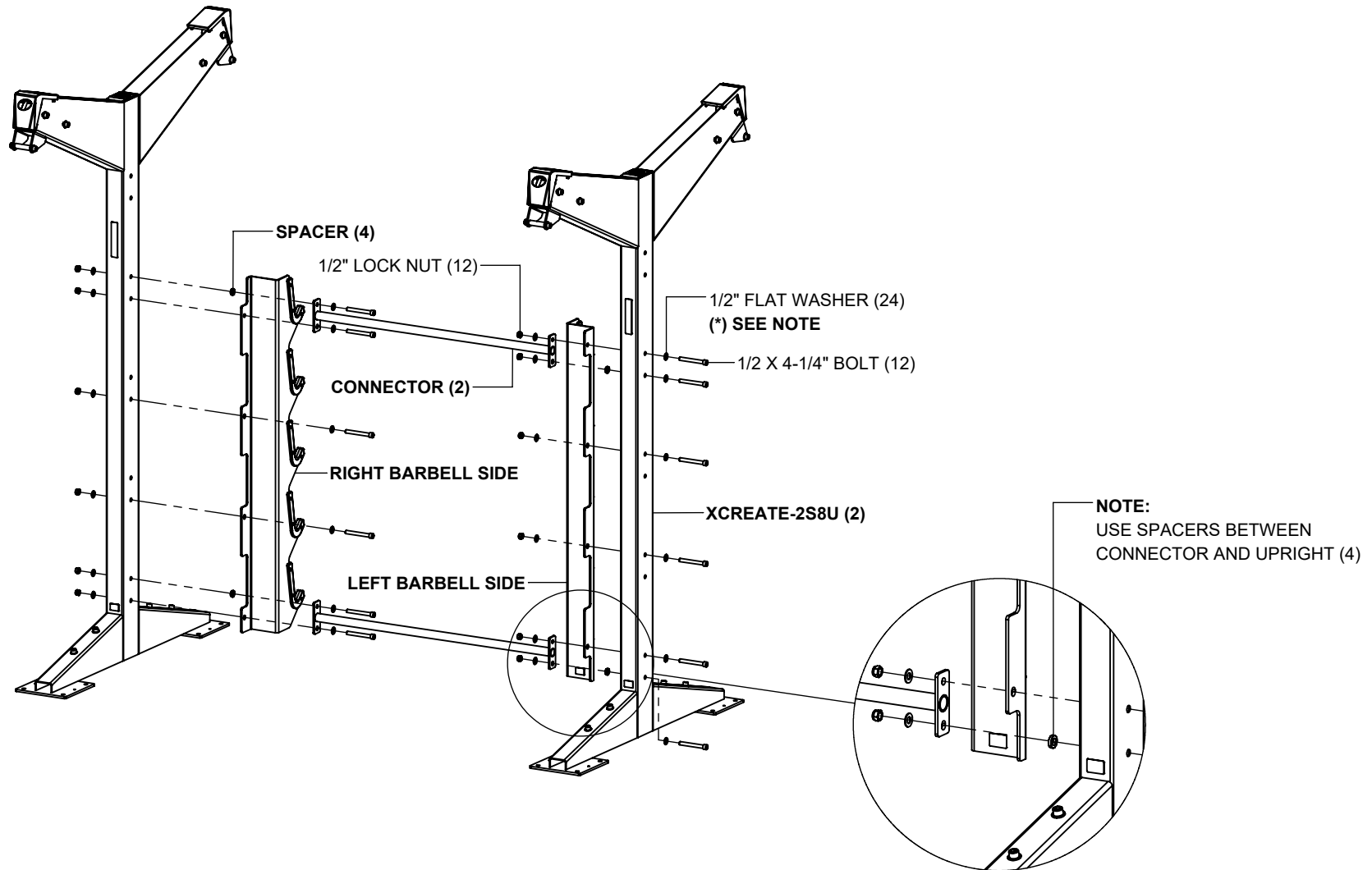
If more modules will be assembled, do not tighten bolts at this time.

If this is the only module being assembled, then **SECURELY** tighten all bolts made in this step and previous steps.

(*) HARDWARE COVERS **CAN** be used in place of washers in this step. (SEE PAGE 3).



4' X 5' BARBELL STORAGE MODULE (WITH CONNECTOR)

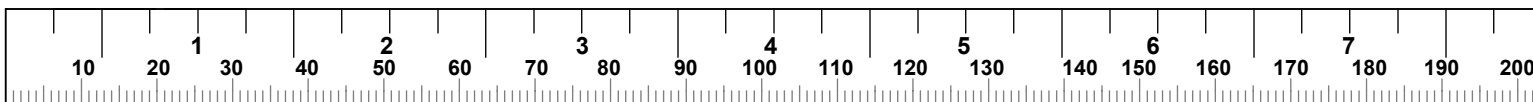


NOTES:

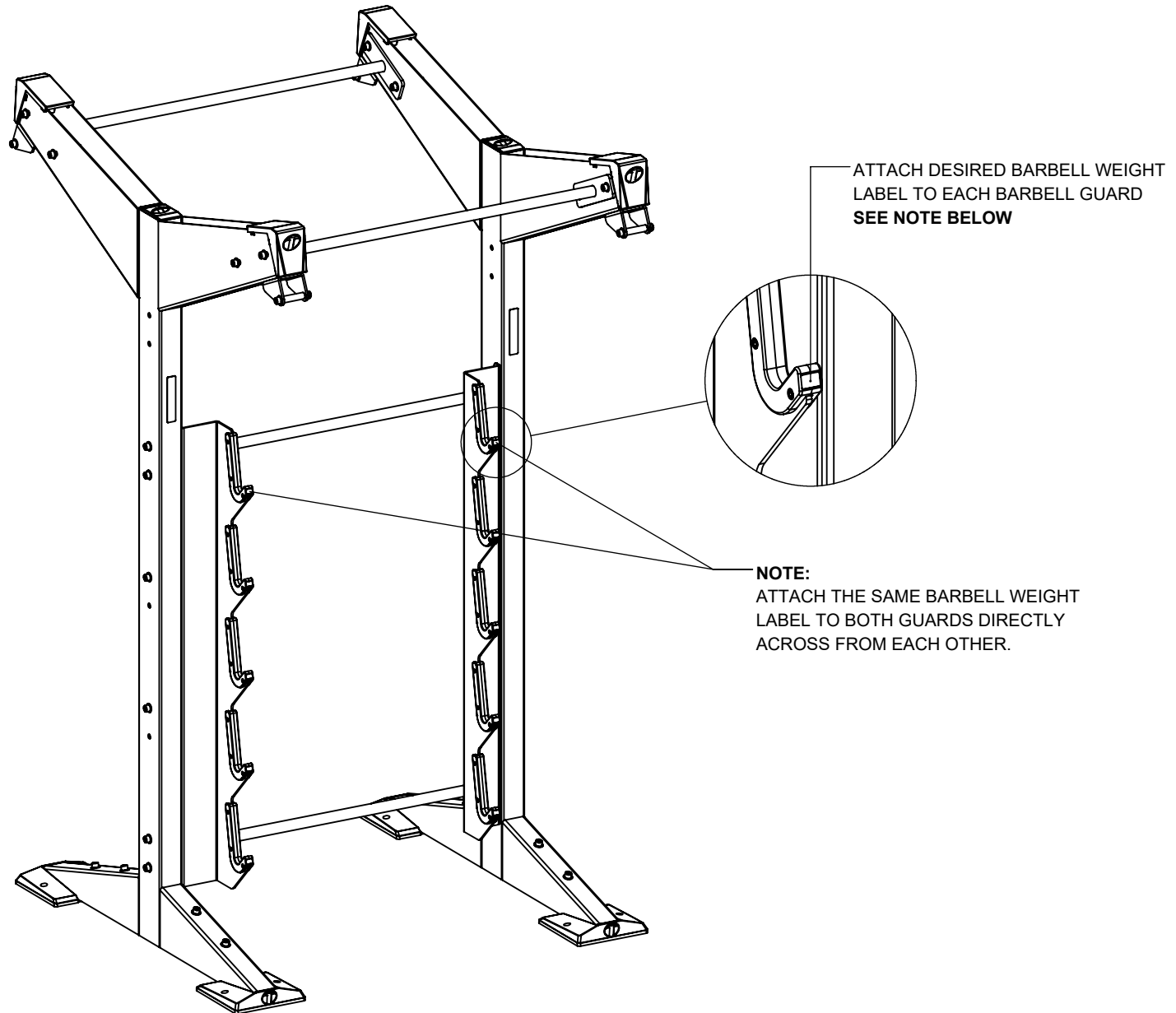
If more modules will be assembled, do not tighten bolts at this time.

If this is the only module being assembled, then **SECURELY** tighten all bolts made in this step and previous steps.

(*) HARDWARE COVERS **CAN** be used in place of washers in this step. (SEE PAGE 3).



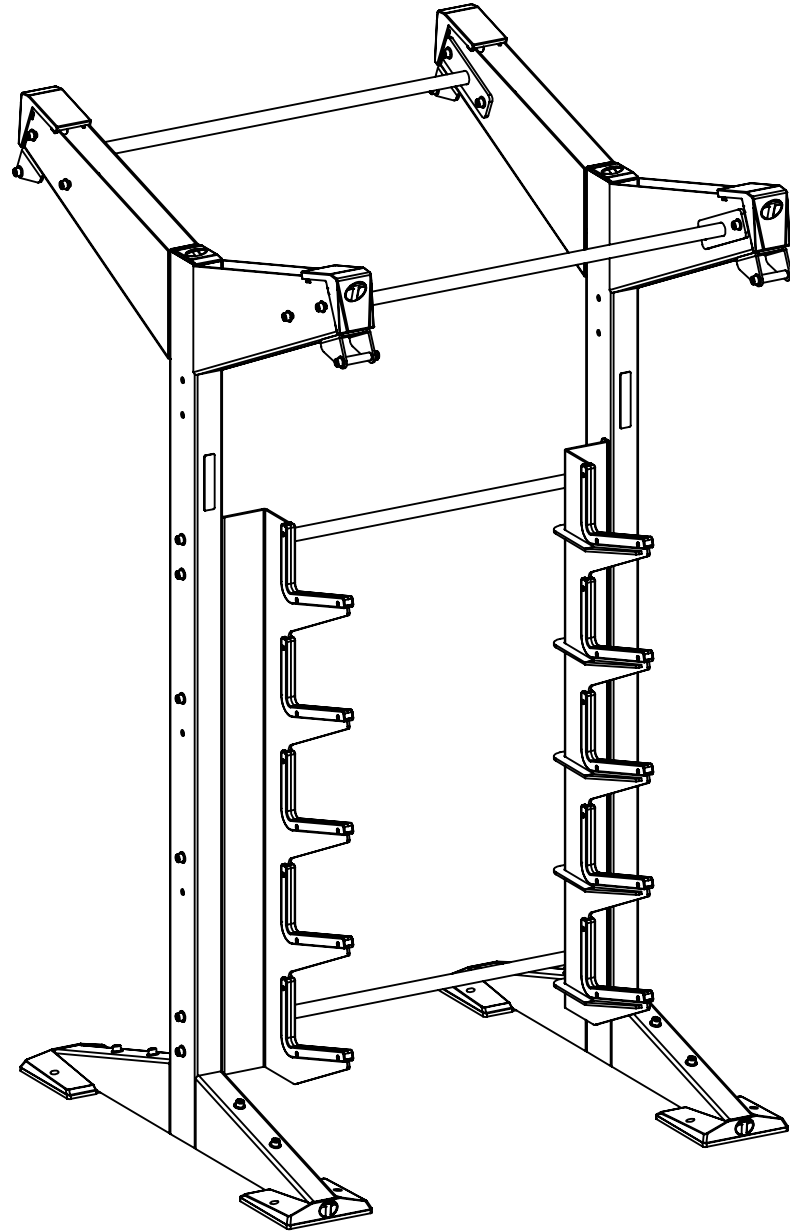
4' X 5 BARBELL STORAGE MODULE



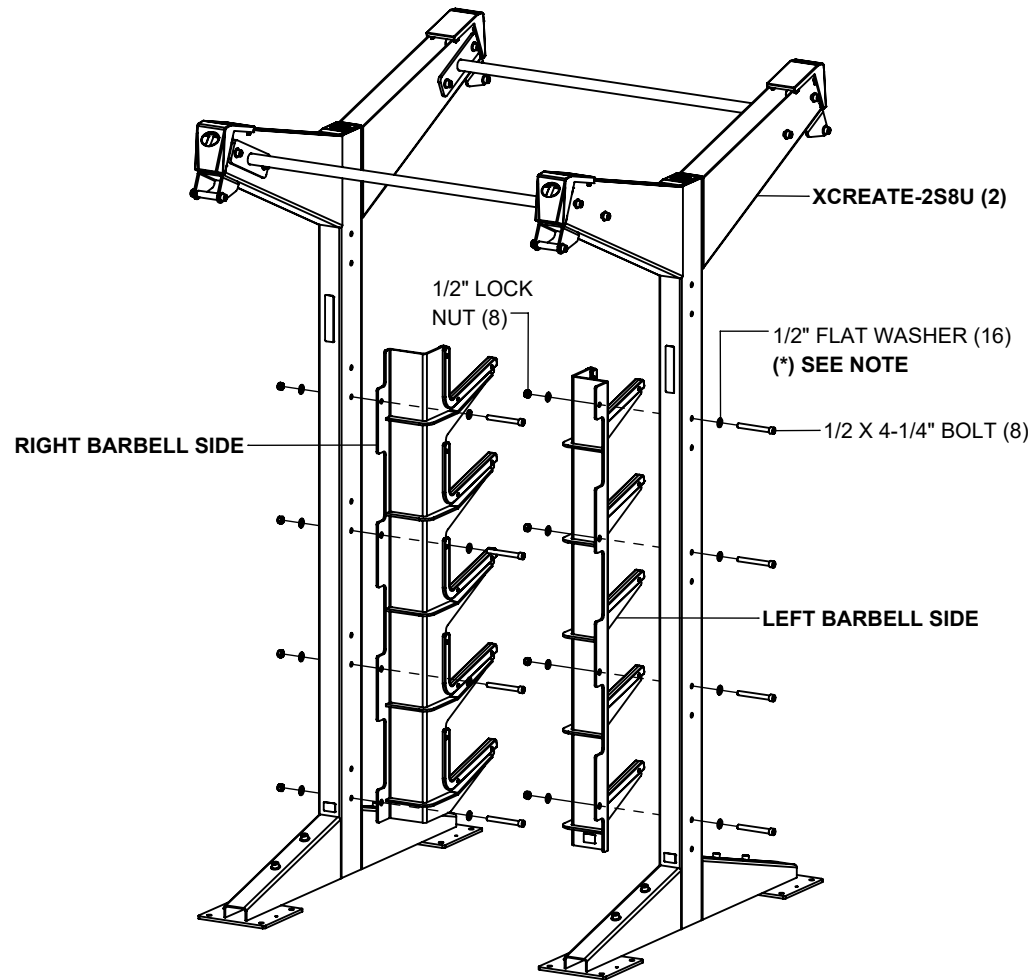
NOTE:

If you are a professional contractor installing this system for a facility, leave these labels and instruction with manager or inquire what label to attach to each barbell guard.

4' X 10 BARBELL STORAGE MODULE



4' X 10 BARBELL STORAGE MODULE (WITHOUT CONNECTOR)

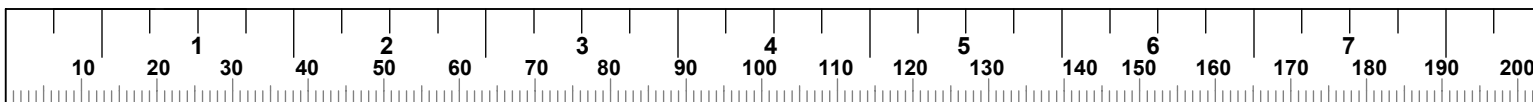


NOTES:

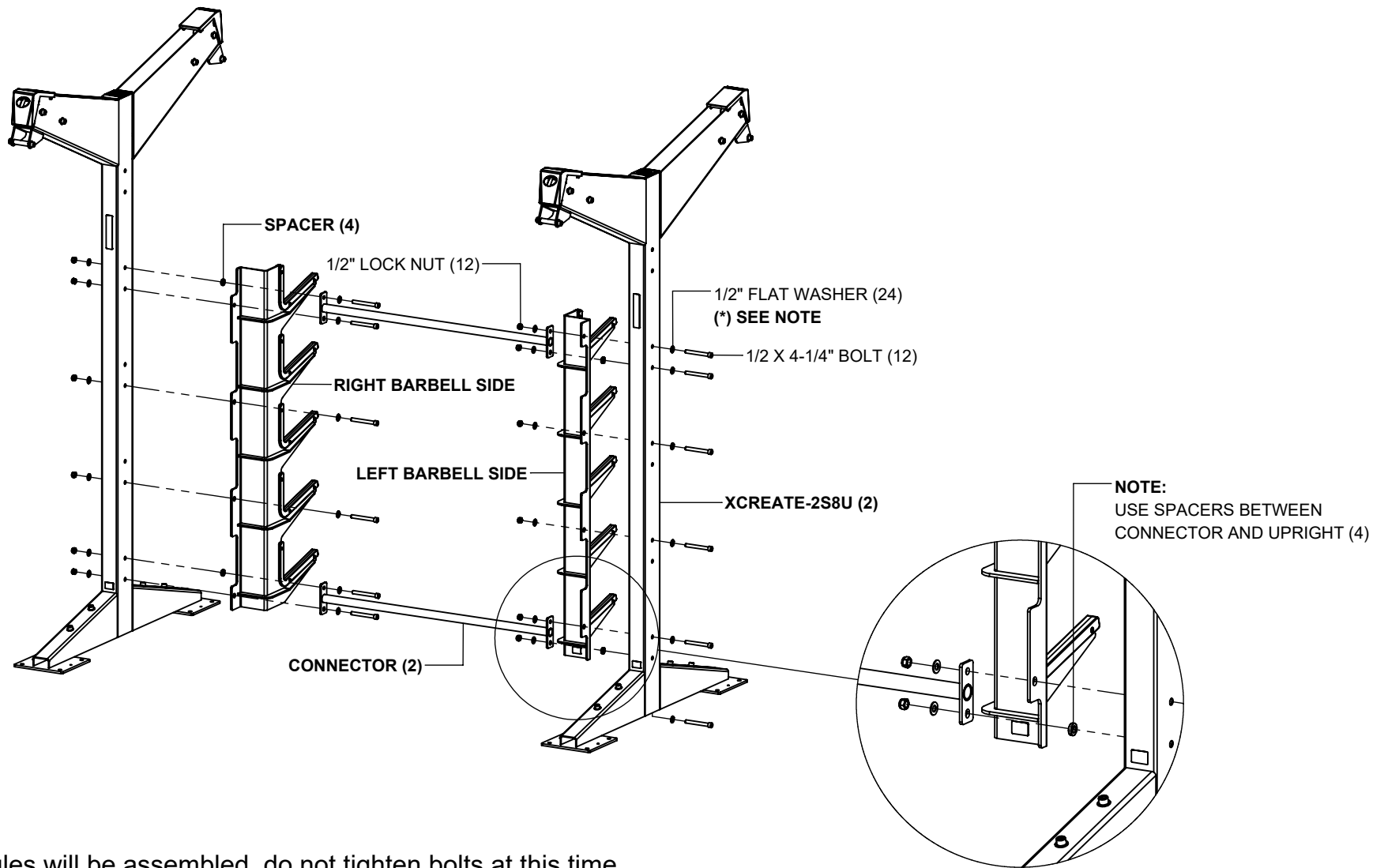
If more modules will be assembled, do not tighten bolts at this time.

If this is the only module being assembled, then **SECURELY** tighten all bolts made in this step and previous steps.

(*) **HARDWARE COVERS CAN** be used in place of washers in this step. (SEE PAGE 3).



4' X 10 BARBELL STORAGE MODULE (WITH CONNECTOR)

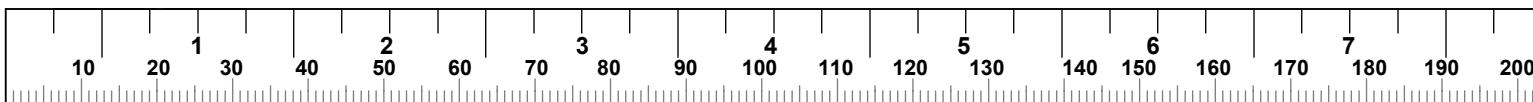


NOTES:

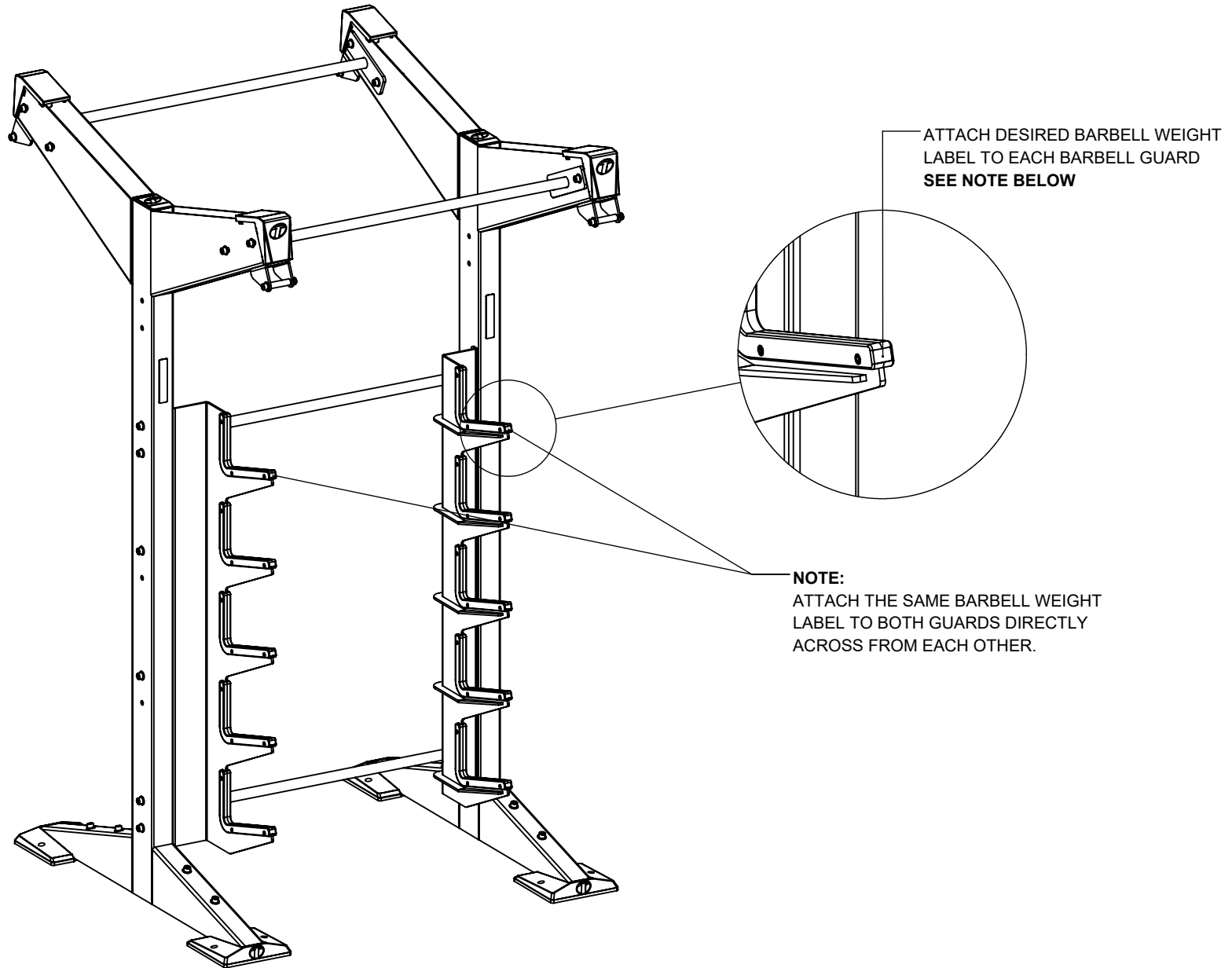
If more modules will be assembled, do not tighten bolts at this time.

If this is the only module being assembled, then **SECURELY** tighten all bolts made in this step and previous steps.

(*) HARDWARE COVERS **CAN** be used in place of washers in this step. (SEE PAGE 3).



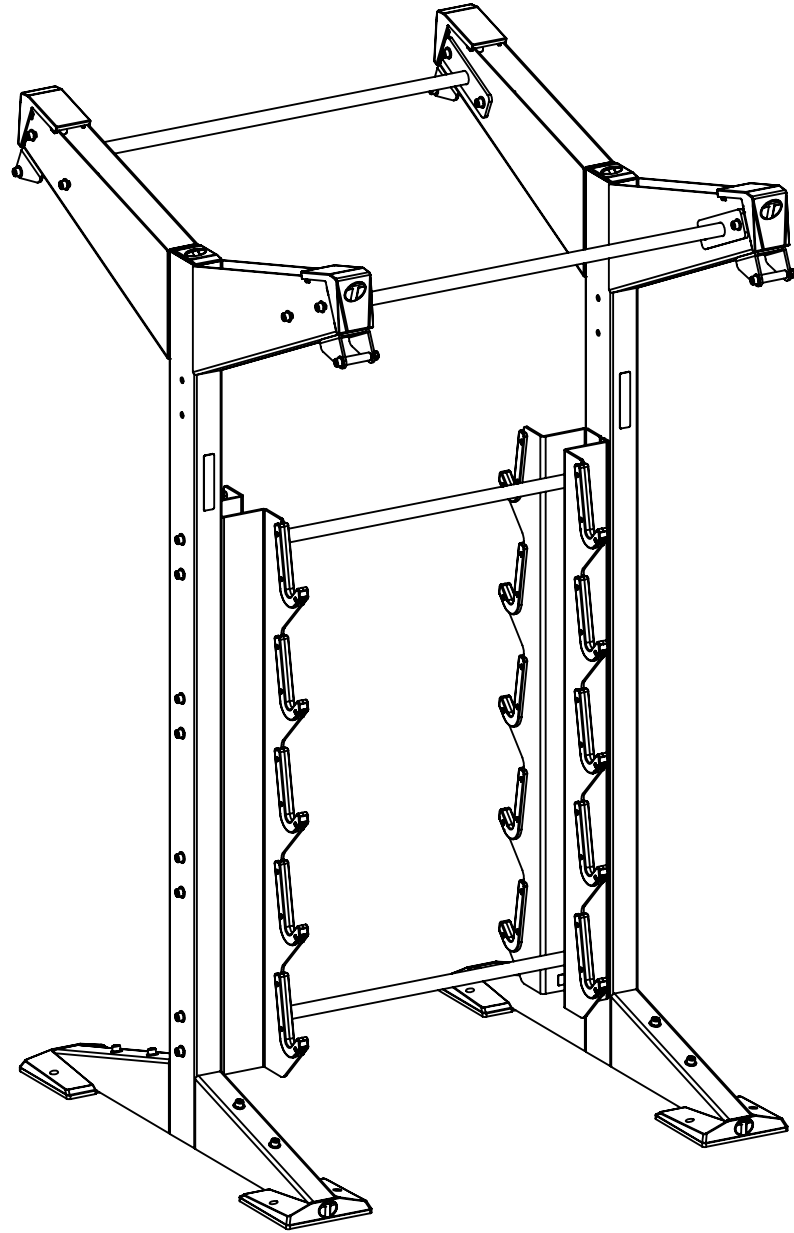
4' X 10 BARBELL STORAGE MODULE



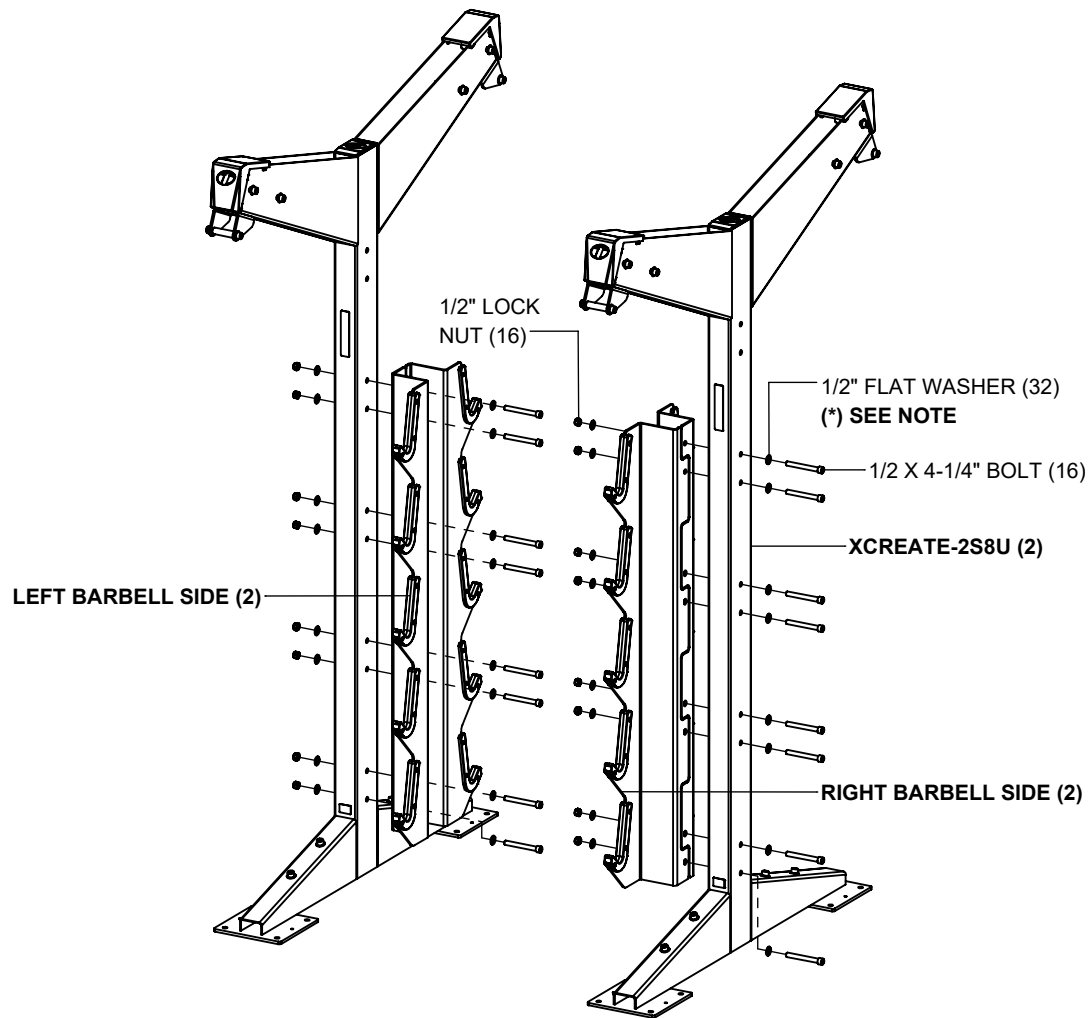
NOTE:

If you are a professional contractor installing this system for a facility, leave these labels and instruction with manager or inquire what label to attach to each barbell guard.

4' 2 SIDED X 10 BARBELL STORAGE MODULE



4' 2 SIDED X 10 BARBELL STORAGE MODULE (WITHOUT CONNECTOR)

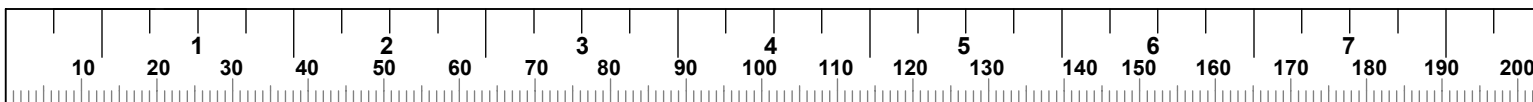


NOTES:

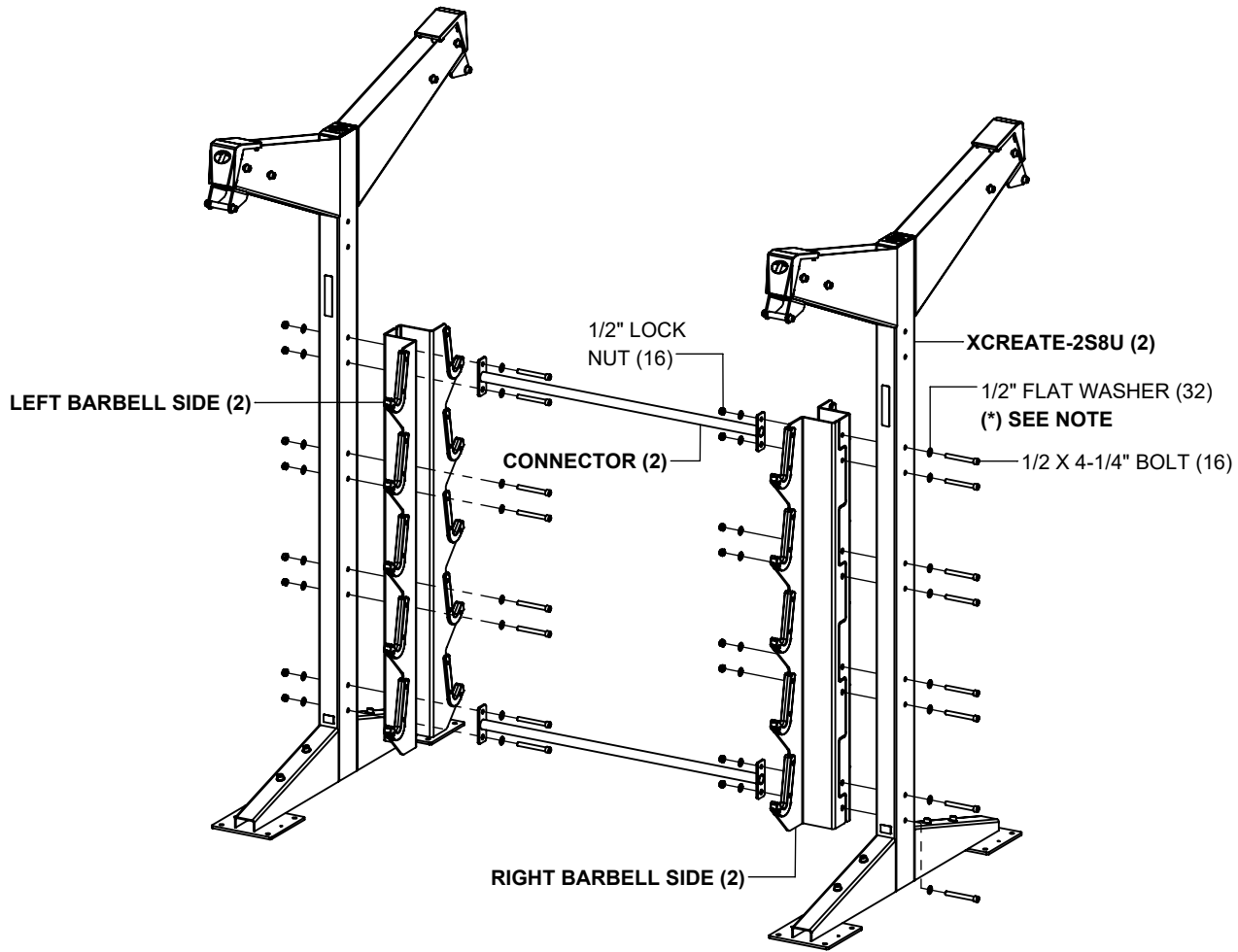
If more modules will be assembled, do not tighten bolts at this time.

If this is the only module being assembled, then **SECURELY** tighten all bolts made in this step and previous steps.

(*) HARDWARE COVERS **CAN** be used in place of washers in this step. (SEE PAGE 3).



**4' 2 SIDED X 10 BARBELL STORAGE MODULE
(WITH CONNECTOR)**

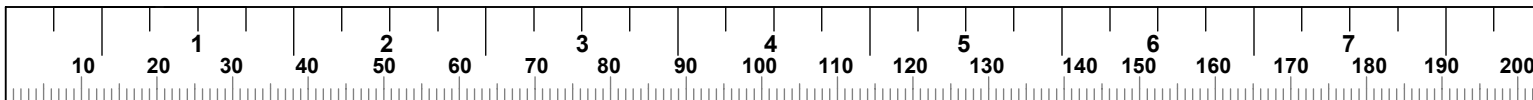


NOTES:

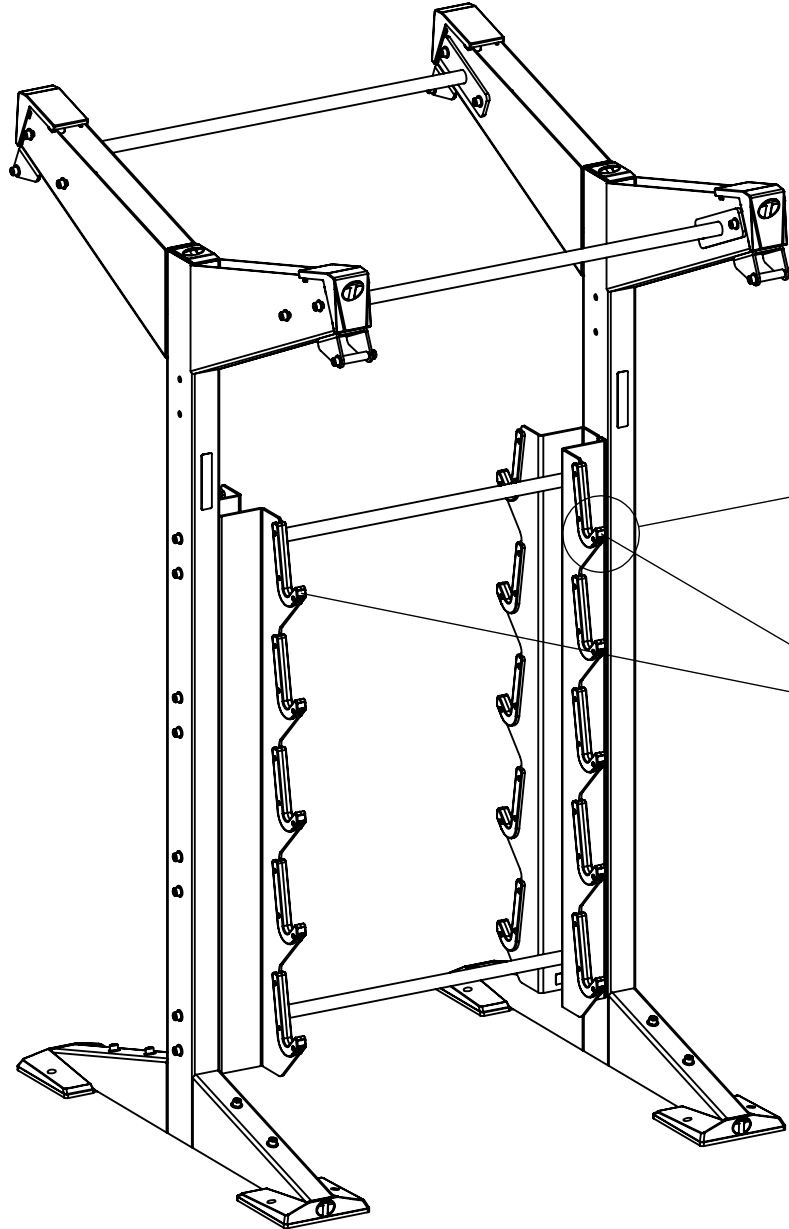
If more modules will be assembled, do not tighten bolts at this time.

If this is the only module being assembled, then **SECURELY** tighten all bolts made in this step and previous steps.

(*) **HARDWARE COVERS** CAN be used in place of washers in this step. (SEE PAGE 3).



4' 2 SIDED X 10 BARBELL STORAGE MODULE



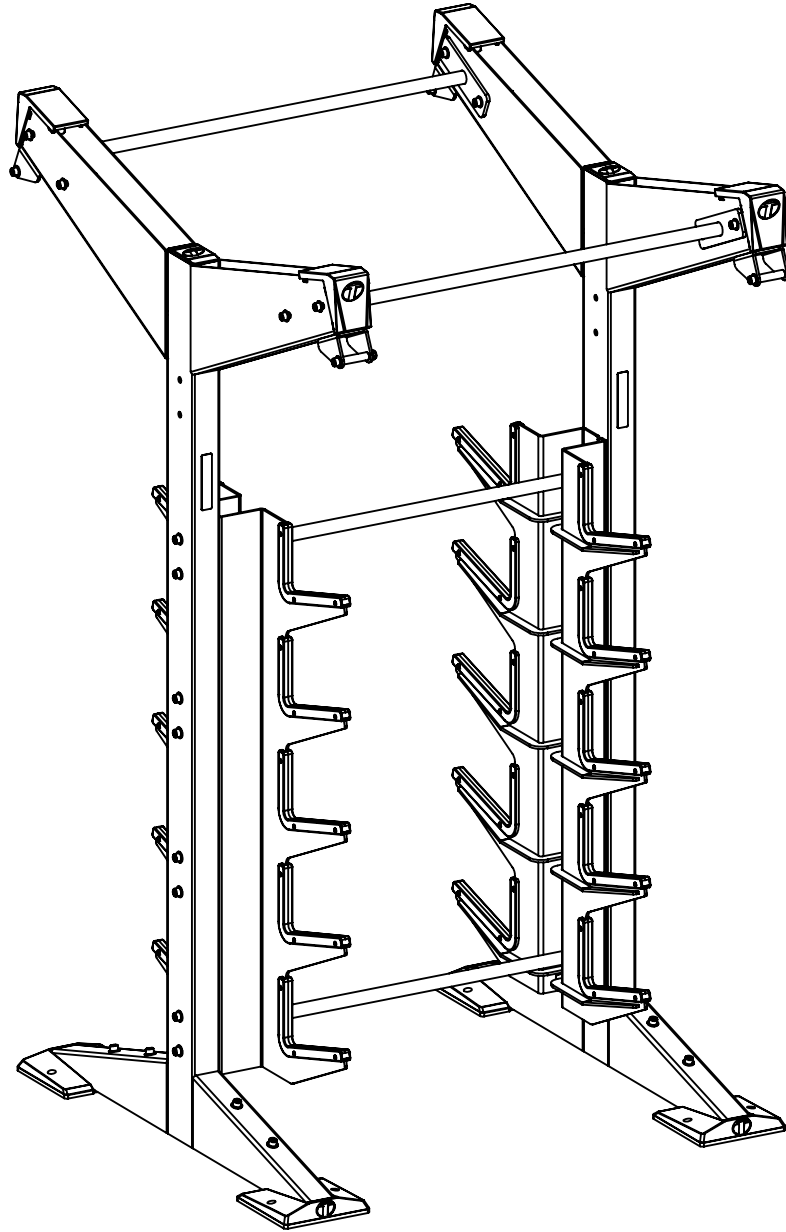
ATTACH DESIRED BARBELL WEIGHT LABEL TO EACH BARBELL GUARD
SEE NOTE BELOW

NOTE:
ATTACH THE SAME BARBELL WEIGHT LABEL TO BOTH GUARDS DIRECTLY ACROSS FROM EACH OTHER.

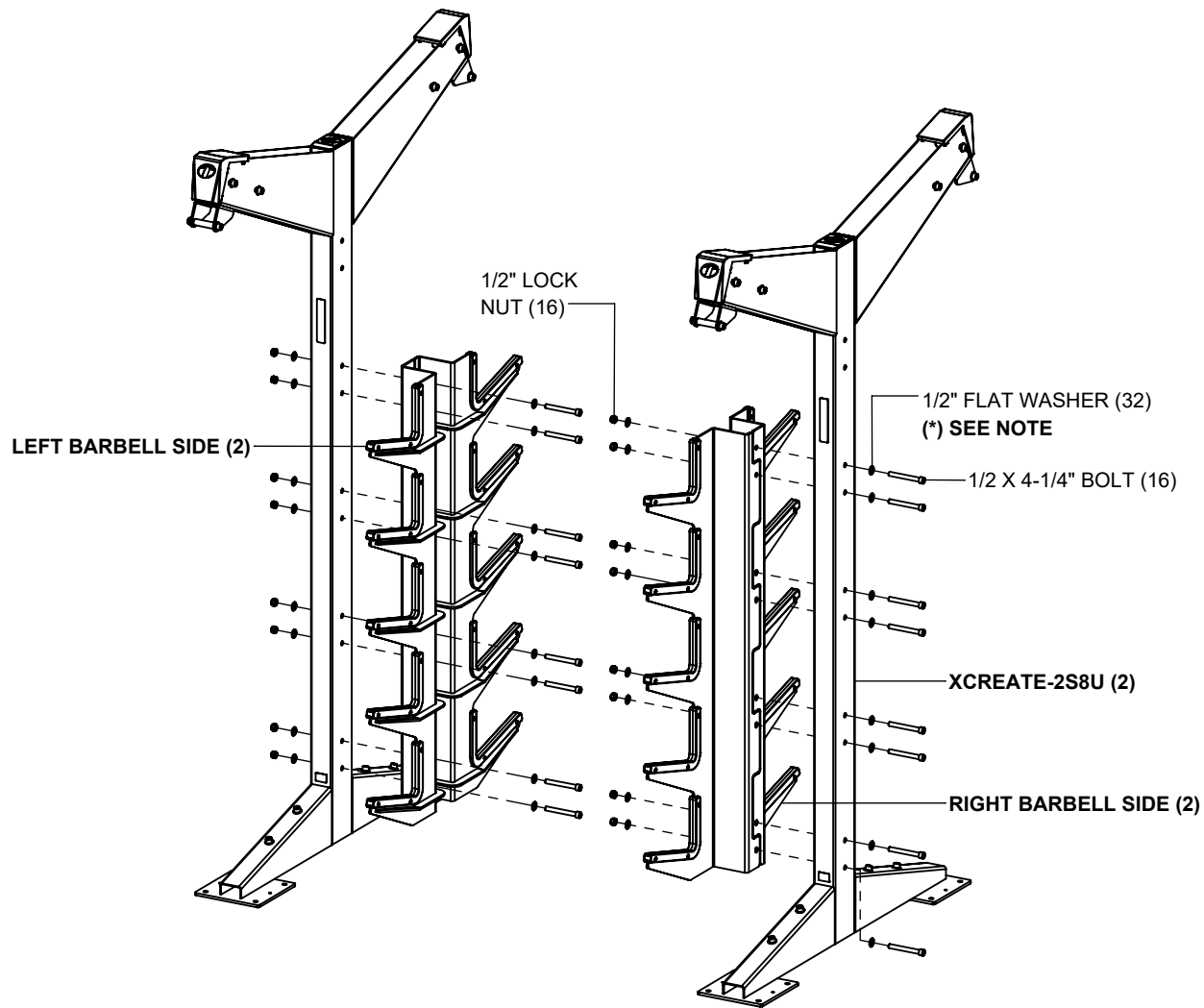
NOTE:

If you are a professional contractor installing this system for a facility, leave these labels and instruction with manager or inquire what label to attach to each barbell guard.

4' 2 SIDED X 20 BARBELL STORAGE MODULE



**4' 2 SIDED X 10 BARBELL STORAGE MODULE
(WITHOUT CONNECTOR)**

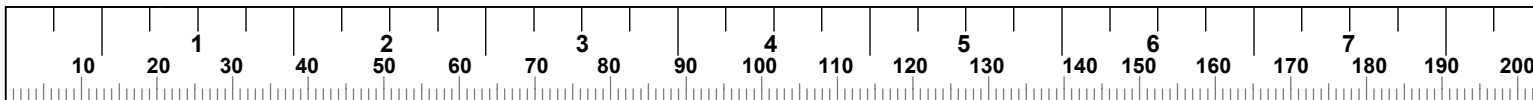


NOTES:

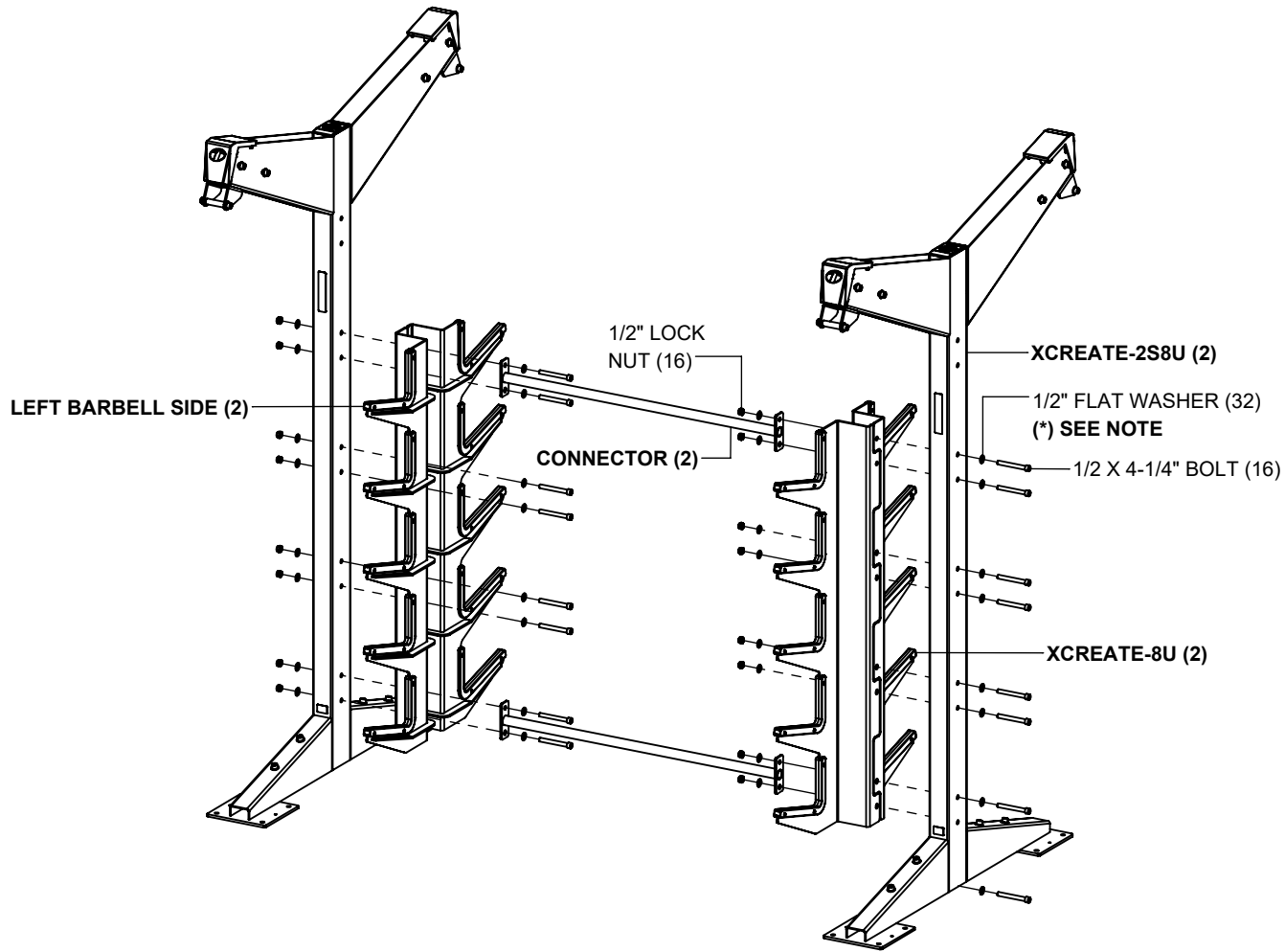
If more modules will be assembled, do not tighten bolts at this time.

If this is the only module being assembled, then **SECURELY** tighten all bolts made in this step and previous steps.

(*) HARDWARE COVERS **CAN** be used in place of washers in this step. (SEE PAGE 3).



**4' 2 SIDED X 10 BARBELL STORAGE MODULE
(WITH CONNECTOR)**

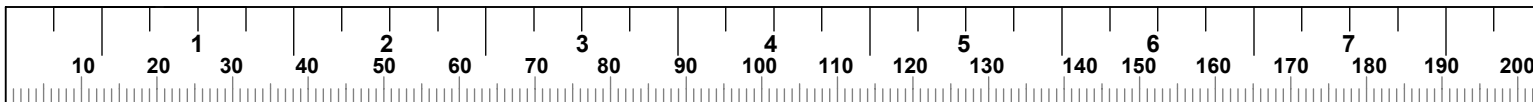


NOTES:

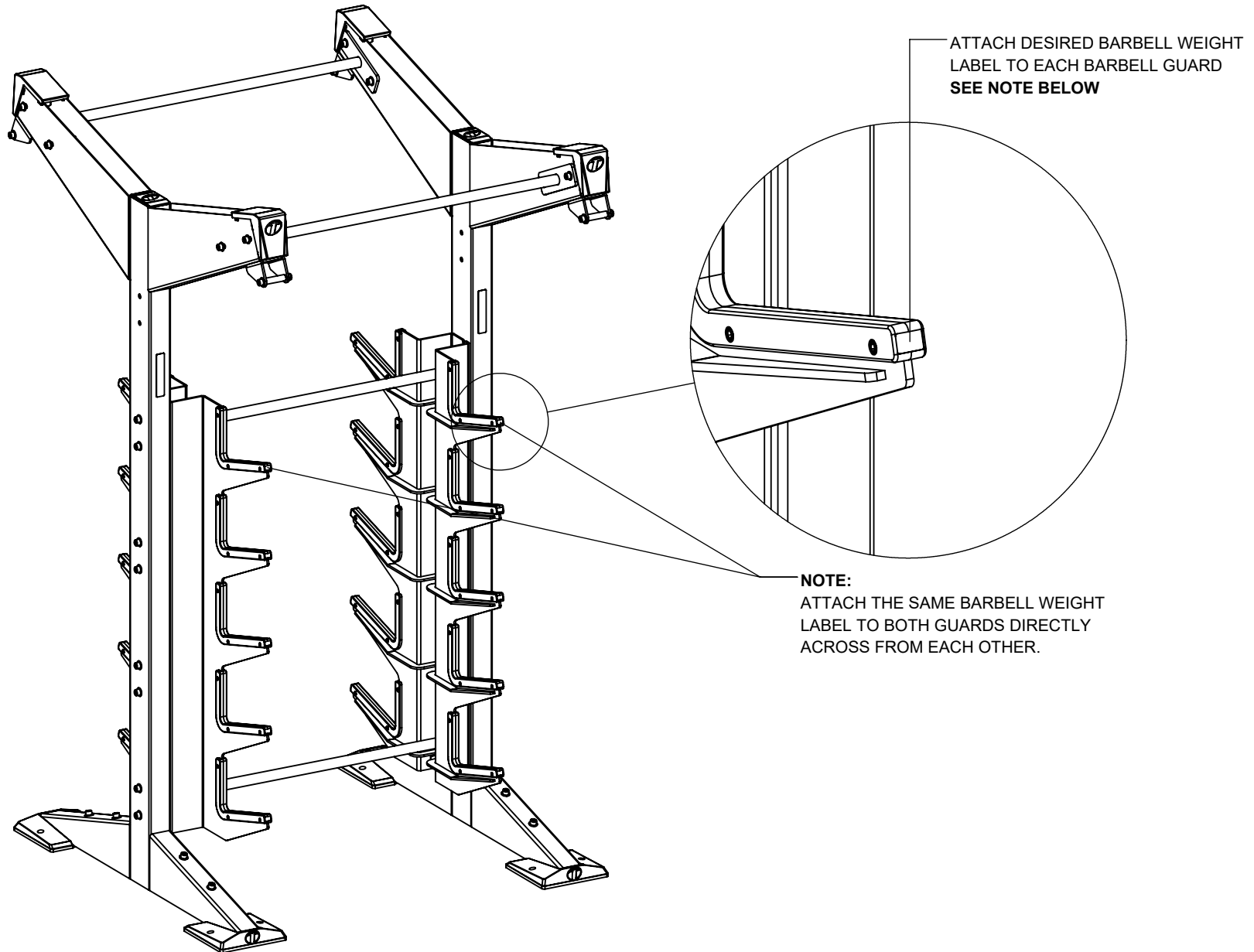
If more modules will be assembled, do not tighten bolts at this time.

If this is the only module being assembled, then **SECURELY** tighten all bolts made in this step and previous steps.

(*) HARDWARE COVERS **CAN** be used in place of washers in this step. (SEE PAGE 3).



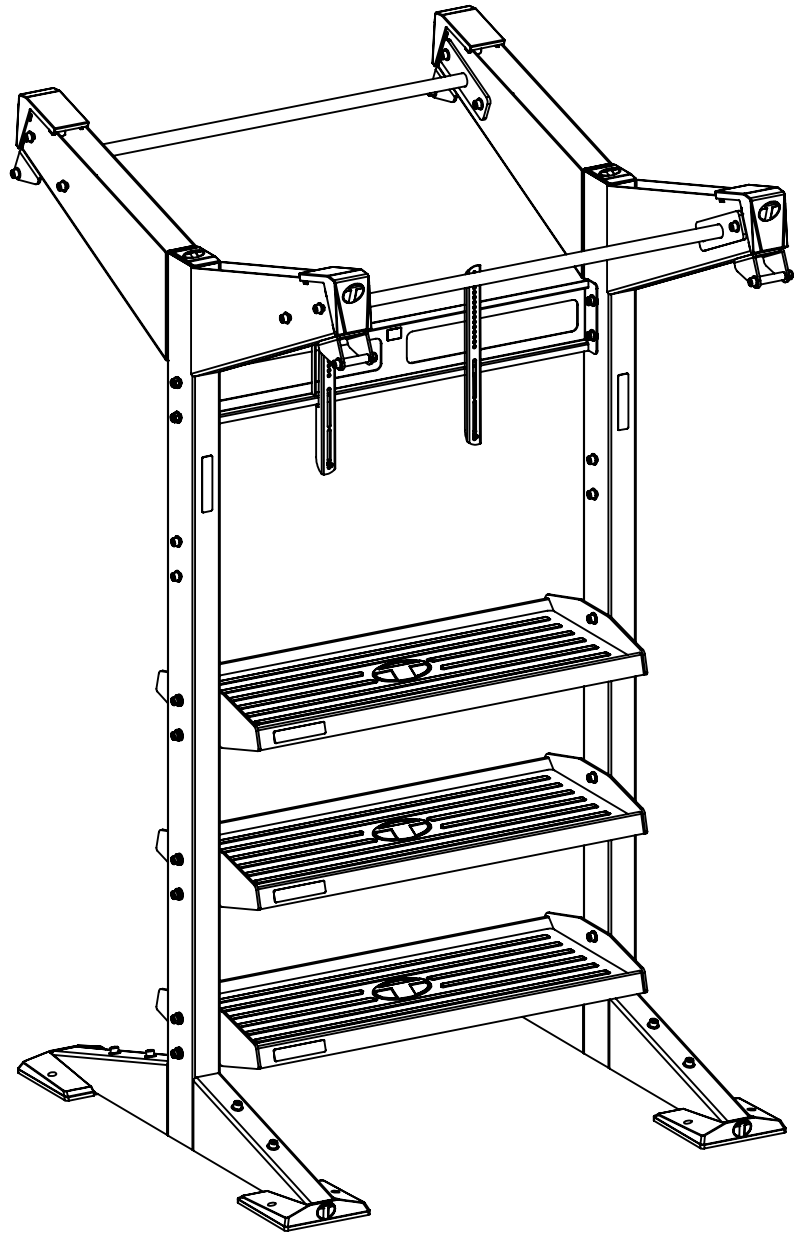
4' 2 SIDED X 10 BARBELL STORAGE MODULE



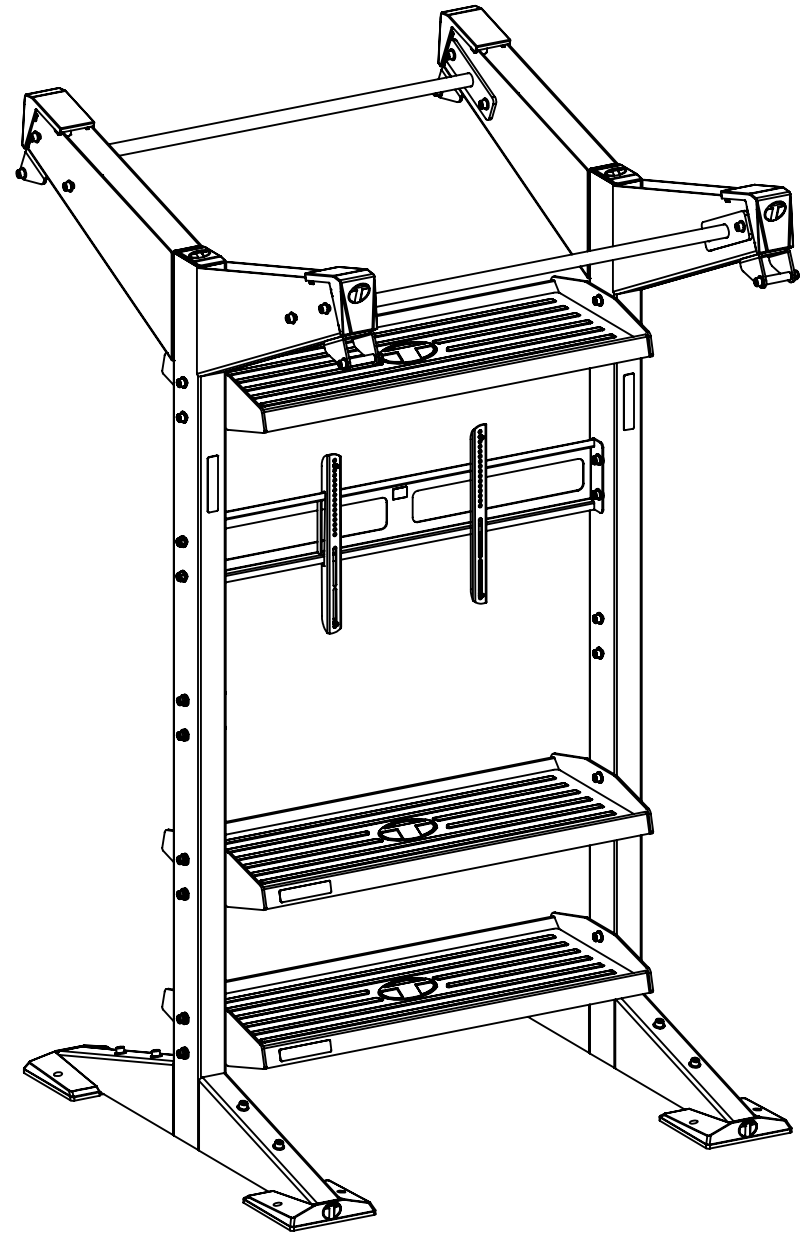
NOTE:

If you are a professional contractor installing this system for a facility, leave these labels and instruction with manager or inquire what label to attach to each barbell guard.

4' MONITOR MOUNT & STORAGE MODULE



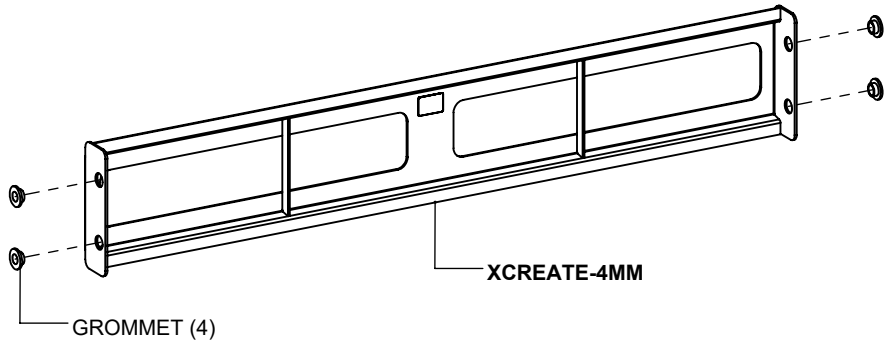
STANDARD CONFIGURATION



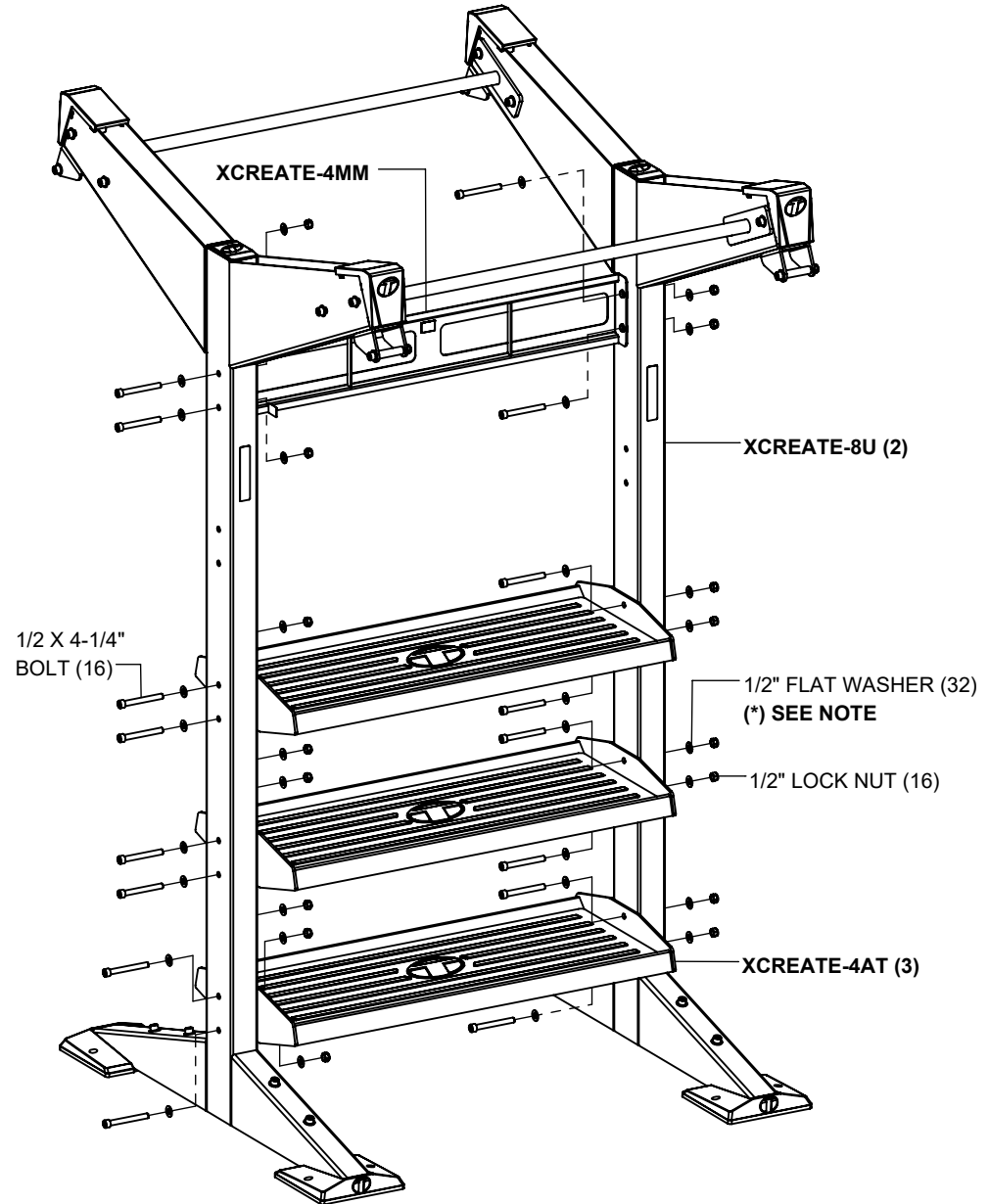
OPTIONAL CONFIGURATION

4' MONITOR MOUNT & STORAGE MODULE

STEP 1A



STEP 1B

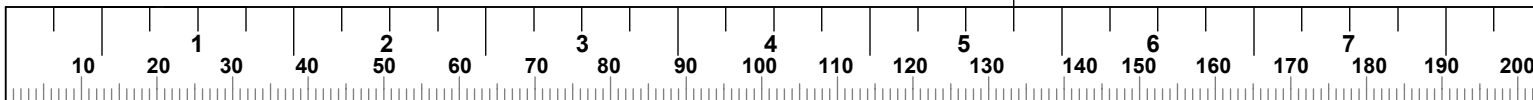


NOTES:

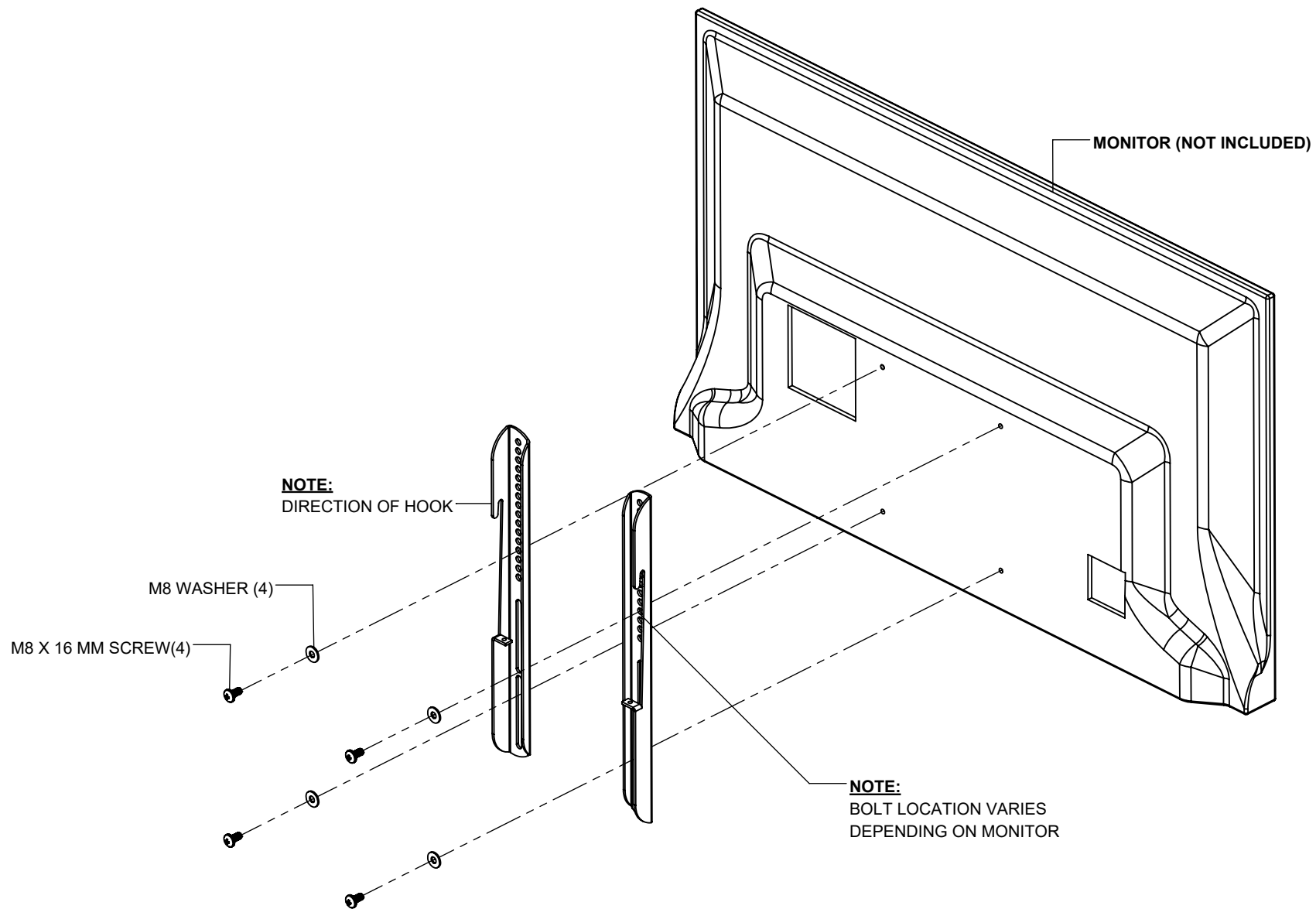
If more modules will be assembled, do not tighten bolts at this time.

If this is the only module being assembled, then **SECURELY** tighten all bolts made in this step and previous steps.

(*) **HARDWARE COVERS CAN** be used in place of washers in this step. (SEE PAGE 3).

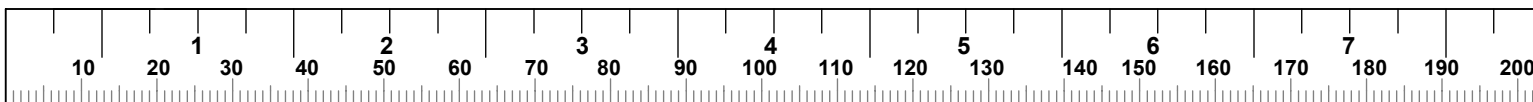


4' MONITOR MOUNT & STORAGE MODULE

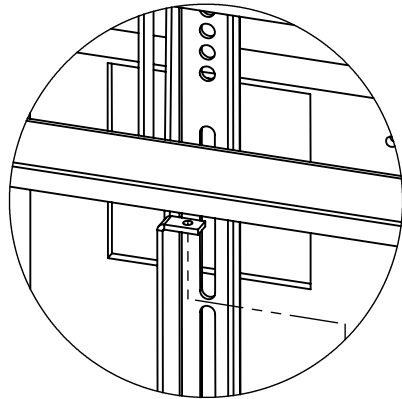


NOTE:

SECURELY tighten all connections in this step.

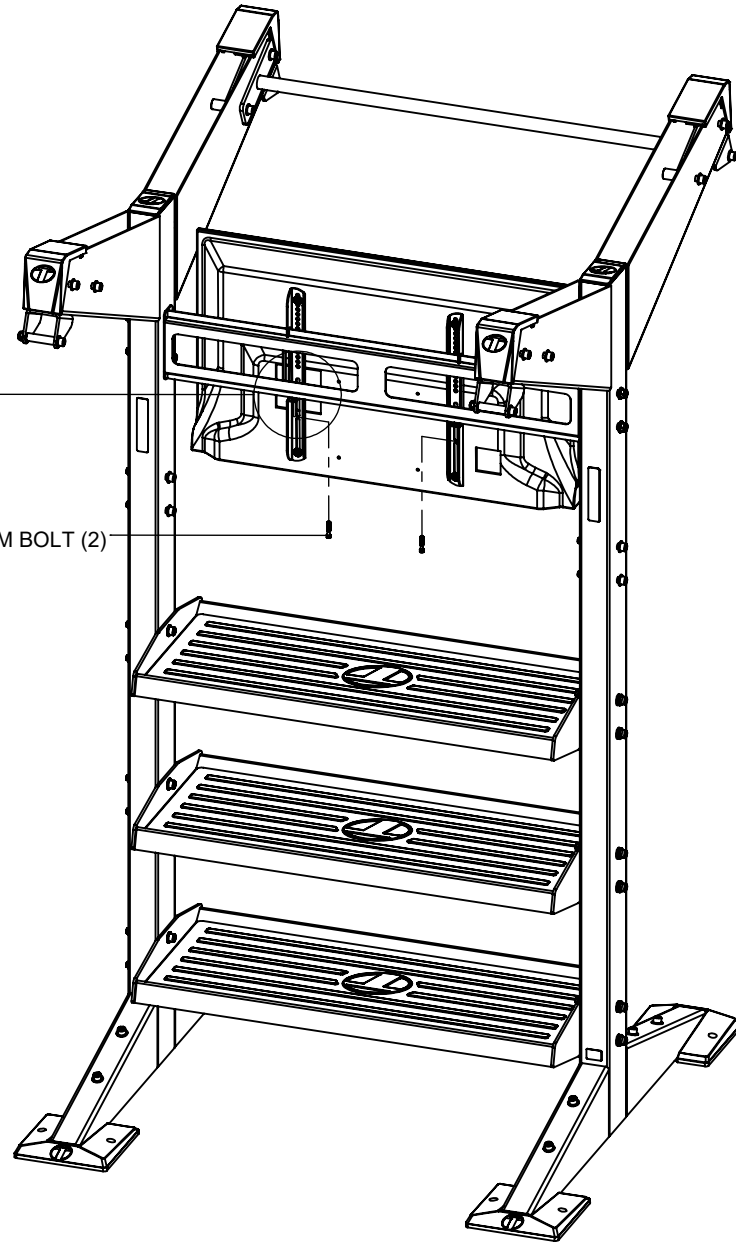


4' MONITOR MOUNT & STORAGE MODULE



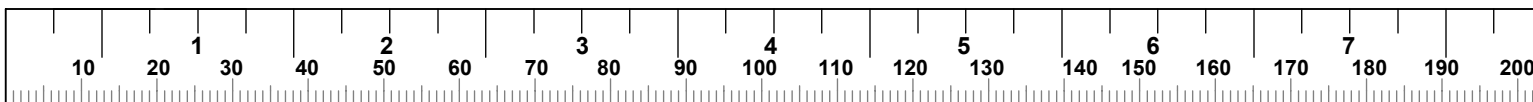
NOTE:
CENTER MONITOR BEFORE TIGHTENING

M6 X 35 MM BOLT (2)

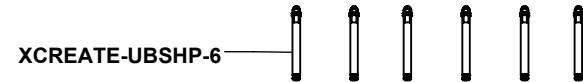
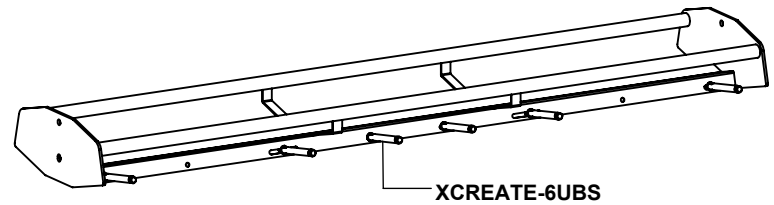
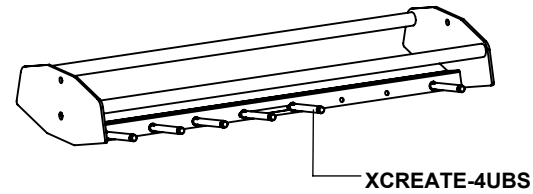
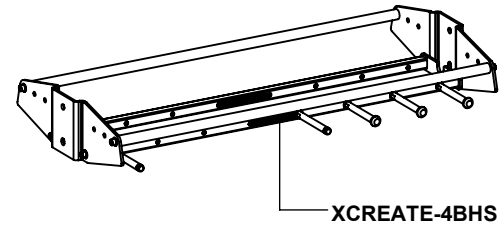
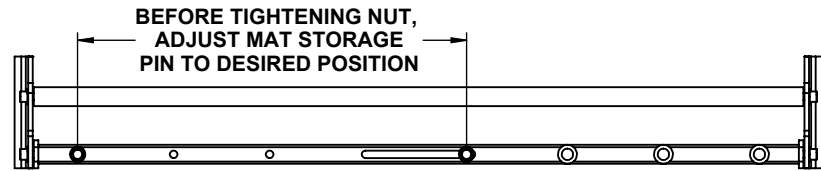
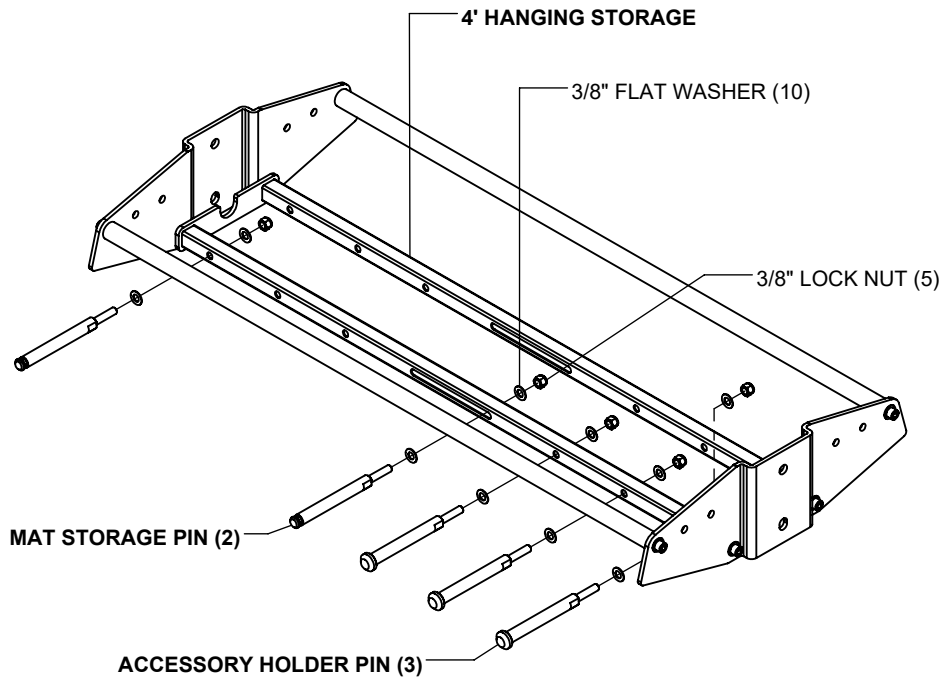


NOTE:

SECURELY tighten all connections in this step.



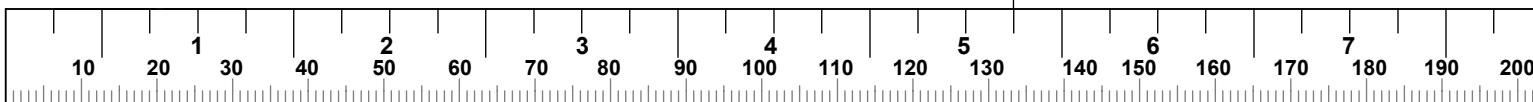
HANGING STORAGE & ACCESSORY PINS



NOTE:

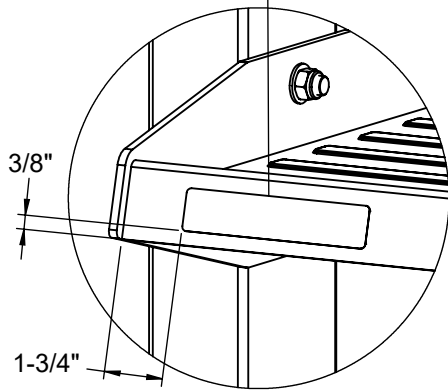
For the purpose of illustration the XCREATE-4BHS is shown. The XCREATE-4UBS and XCREATE-6UBS is assembled the same way.

SECURELY tighten all connections in this step.



ACCESSORY TRAY LABELS

ATTACH DESIRED
LABEL TO EACH
ACCESSORY TRAY
SEE NOTE BELOW



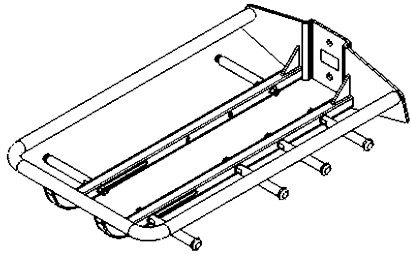
ACCESSORY LABEL

XCREATE-6AT (4)

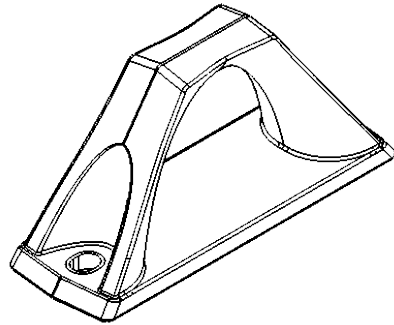
XCREATE-4AT (4)

NOTE:

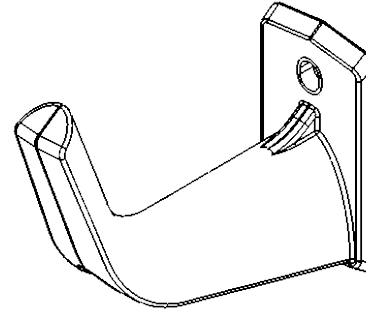
If you are a professional contractor installing this system for a facility, leave these labels and instruction with manager or inquire what label to attach to each accessory tray.



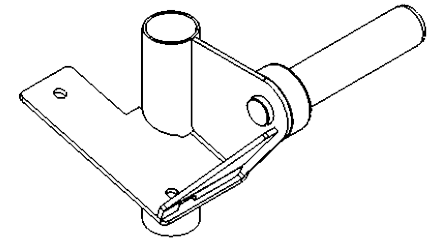
XCREATE-BHSE
BALL AND HANGING
STORAGE EXTENSION



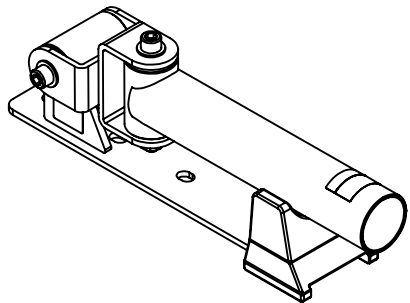
XRACK-BRA
BATTLE ROPE ANCHOR



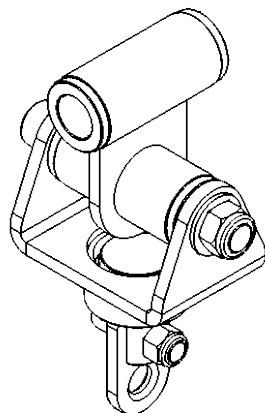
XCREATE-HSH
HANGING STORAGE HOOK



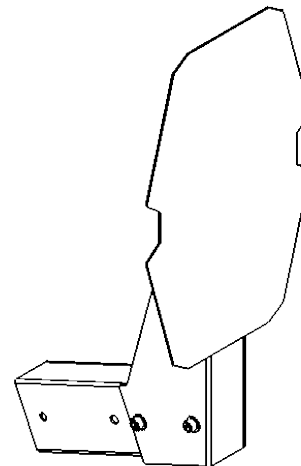
XCREATE-DP
DOUBLE PLAY



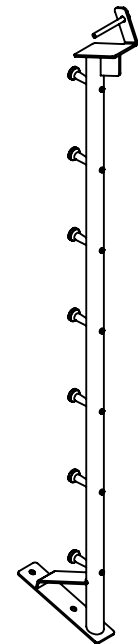
XHMGR
HORIZONTAL MOUNT
GROUND ROTATIONAL TRAINER



XCREATE-3DS
3 DIMENSIONAL SWIVEL

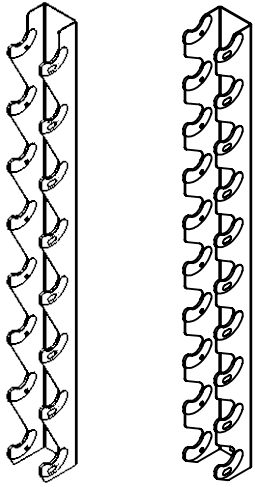


XCREATE-BT
BALL TARGET

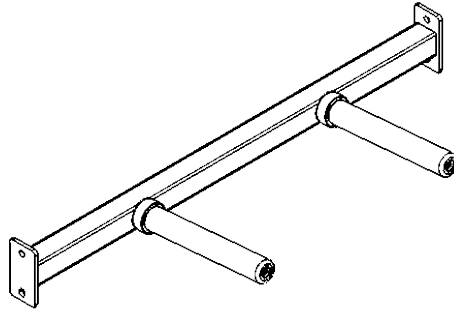


XCREATE-RBA
RESISTANCE BAND ANCHOR

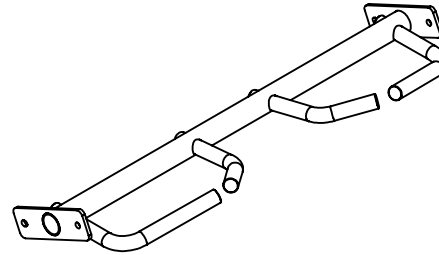
ATTACHMENTS



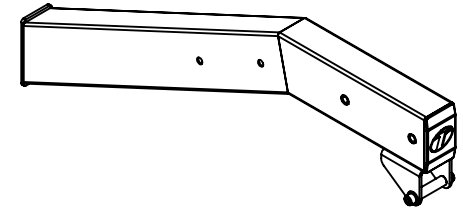
XCREATE-VDS4 / VDS5
VERTICAL DUMBBELL
STORAGE



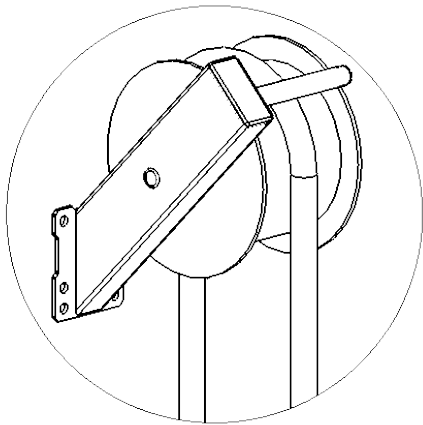
XCREATE-4SSHWS
4' SINGLE SIDE HORIZONTAL
WEIGHT STORAGE



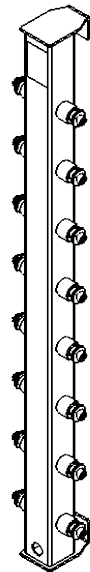
XCREATE-4MGX
4' MULTI GRIP CROSS



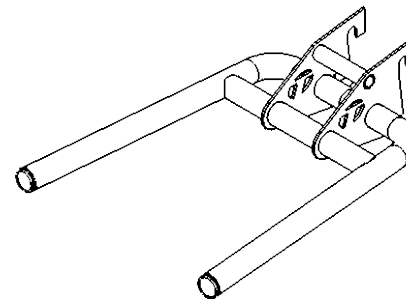
XCREATE-TBE
TOP BOOM EXTENSION



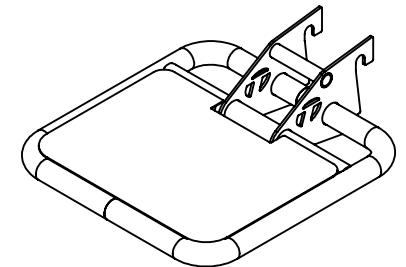
XERD
ENDLESS ROPE DRUM



XLAB-AA
ATTACHMENT ANCHOR

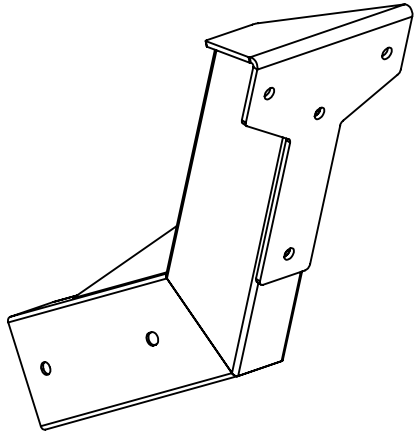


XLAB-DA
DIP ATTACHMENT

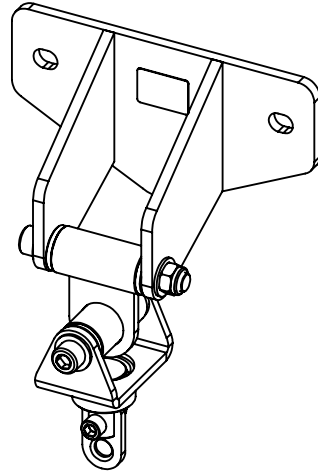


XLAB-PS
PLYO STEP

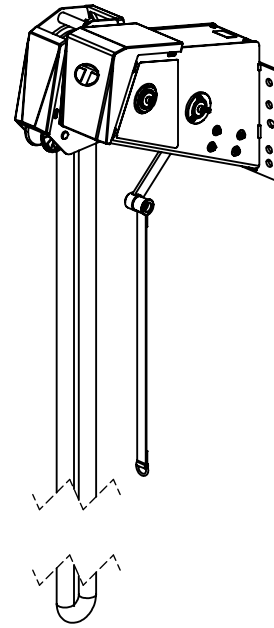
ATTACHMENTS



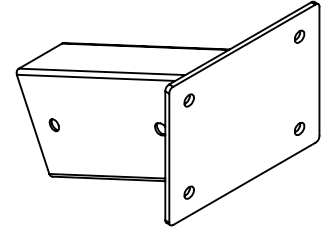
XCREATE-AE
ATTACHMENT EXTENSION



XCREATE-3DSM
3 DIMENSIONAL SWIVEL W/MOUNT

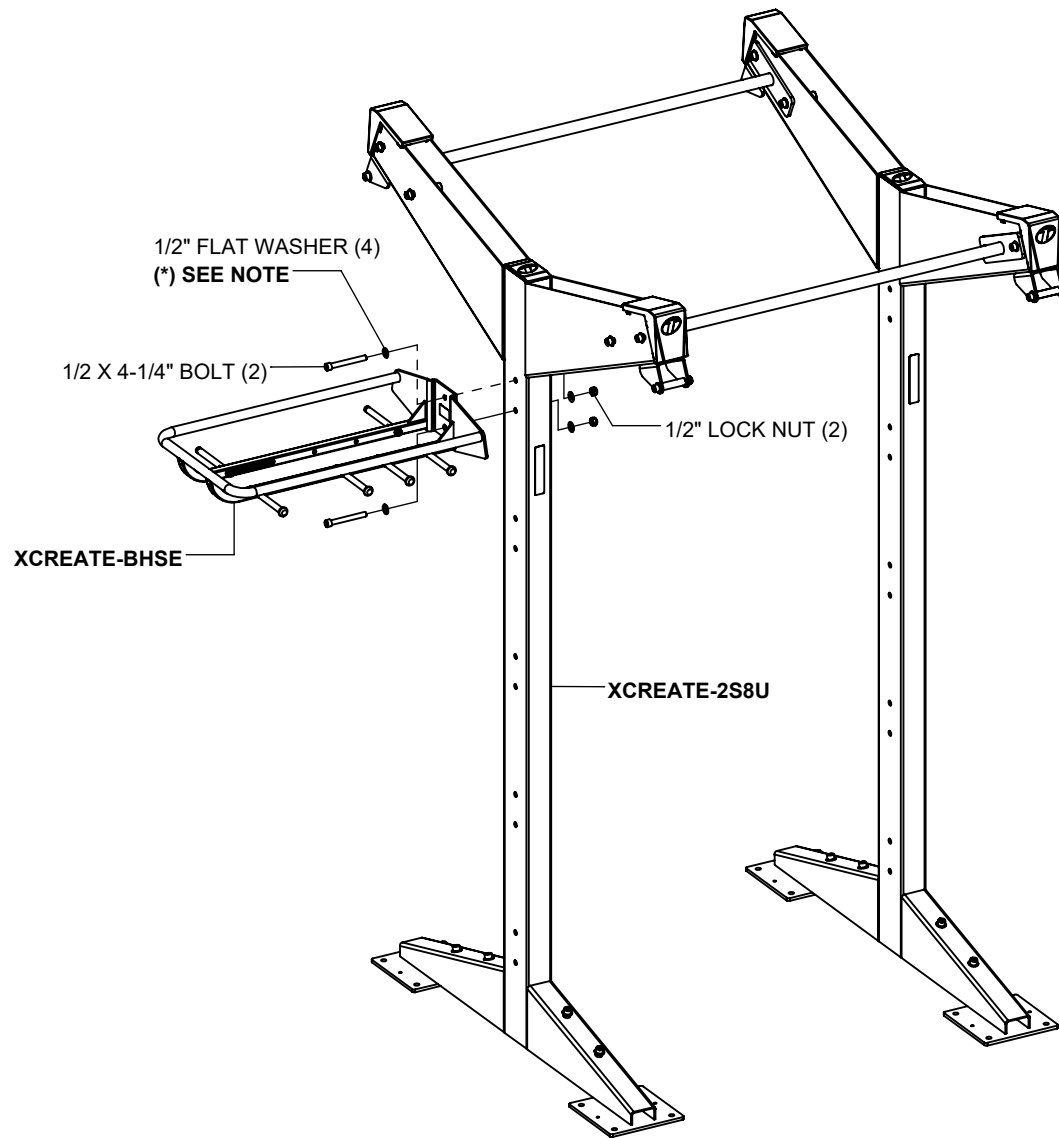


XERT
ENDLESS ROPE TRAINER



XCREATE-BMXERT
XERT BOOM MOUNT

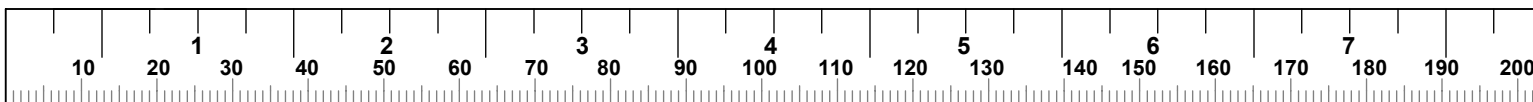
**XCREATE-BHSE
BALL & HANGING
STORAGE EXTENSION**



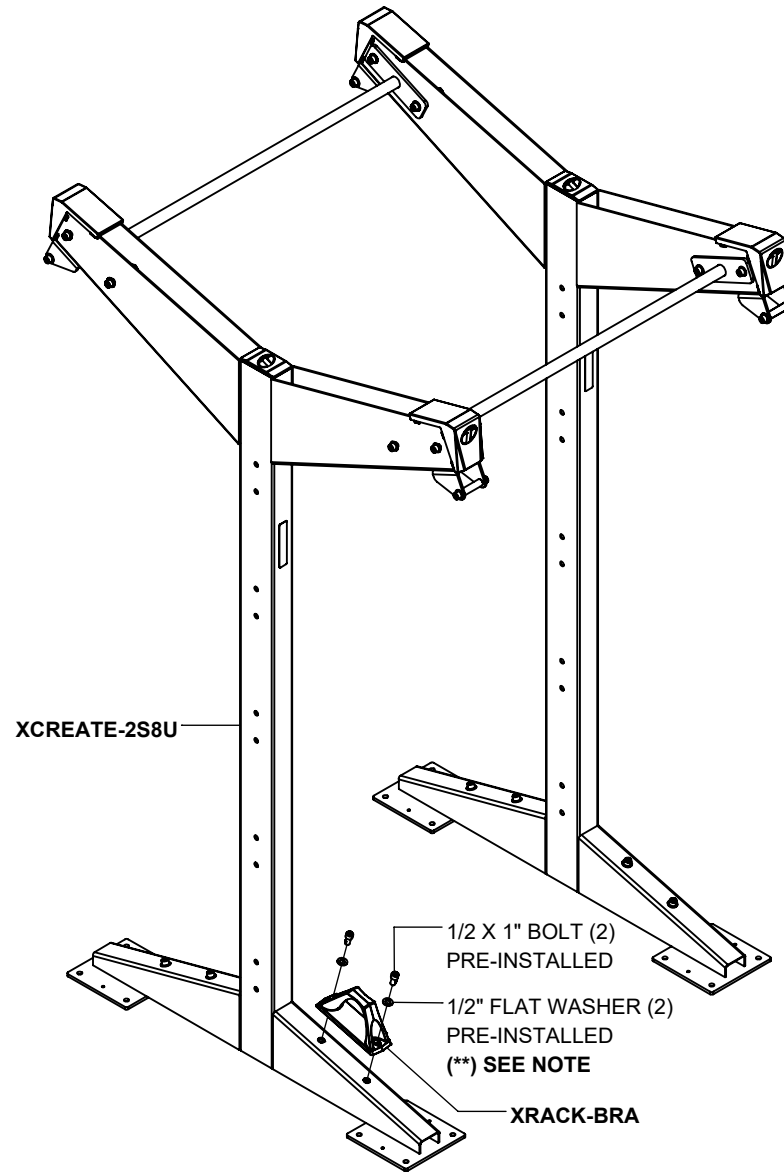
NOTES:

SECURELY tighten all bolt connections in this step.

(* **HARDWARE COVERS** **CAN** be used in place of washers in this step. **(SEE PAGE 3)**).



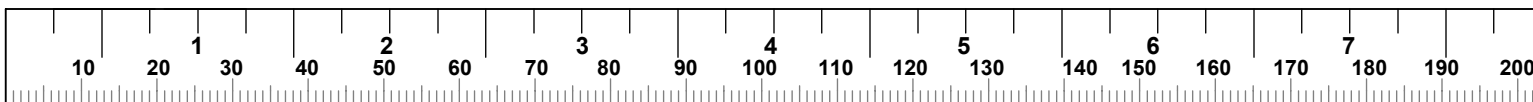
XRACK-BRA BATTLE ROPE ANCHOR



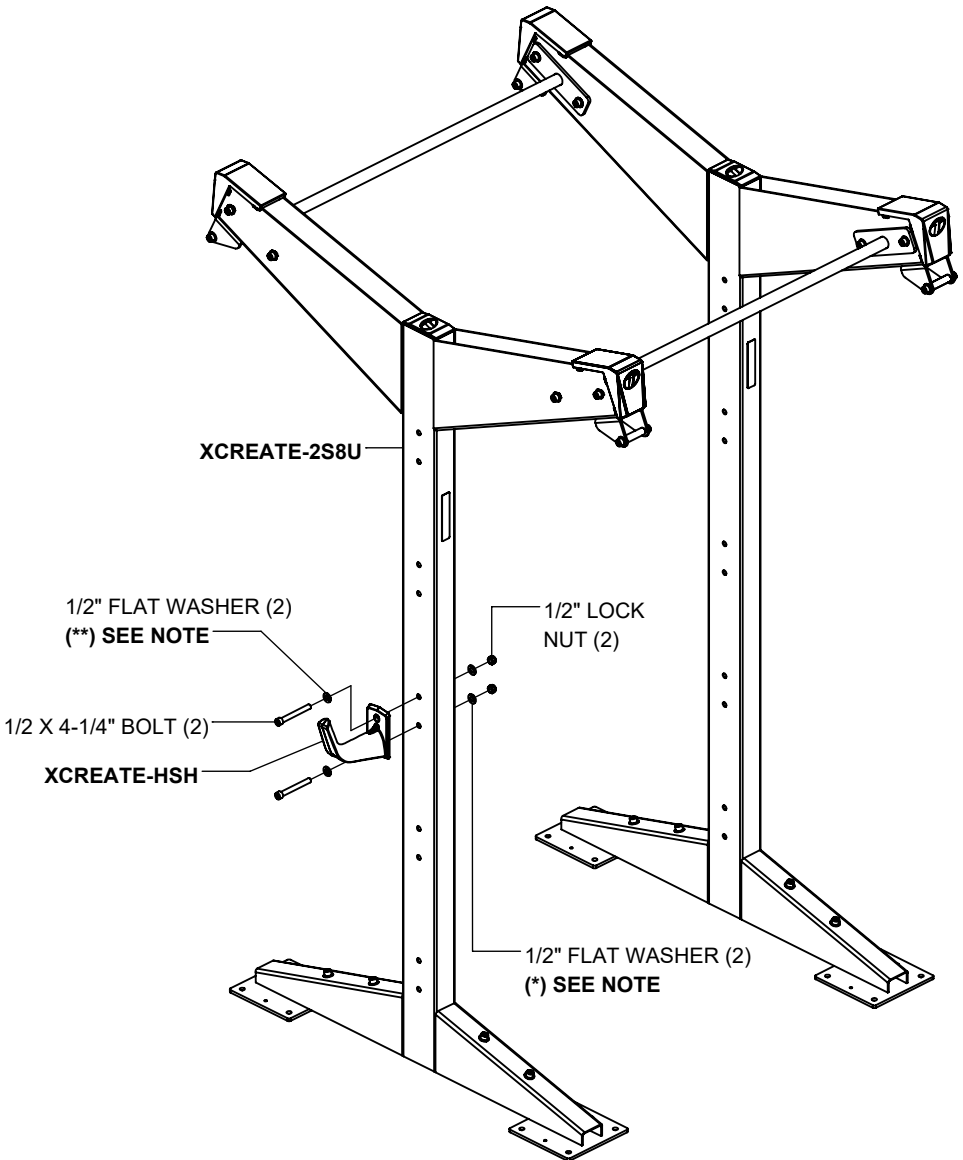
NOTES:

SECURELY tighten all bolt connections in this step.

(**) **HARDWARE COVERS CANNOT** be used in place of washers in this step.



**XCREATE-HSH
HANGING STORAGE HOOK**

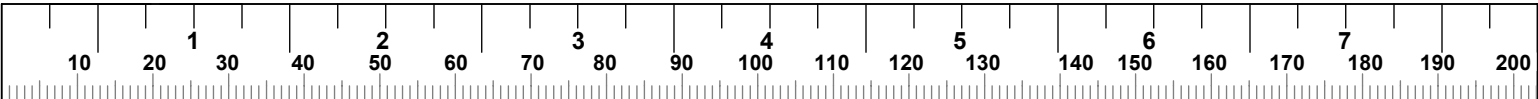


NOTES:

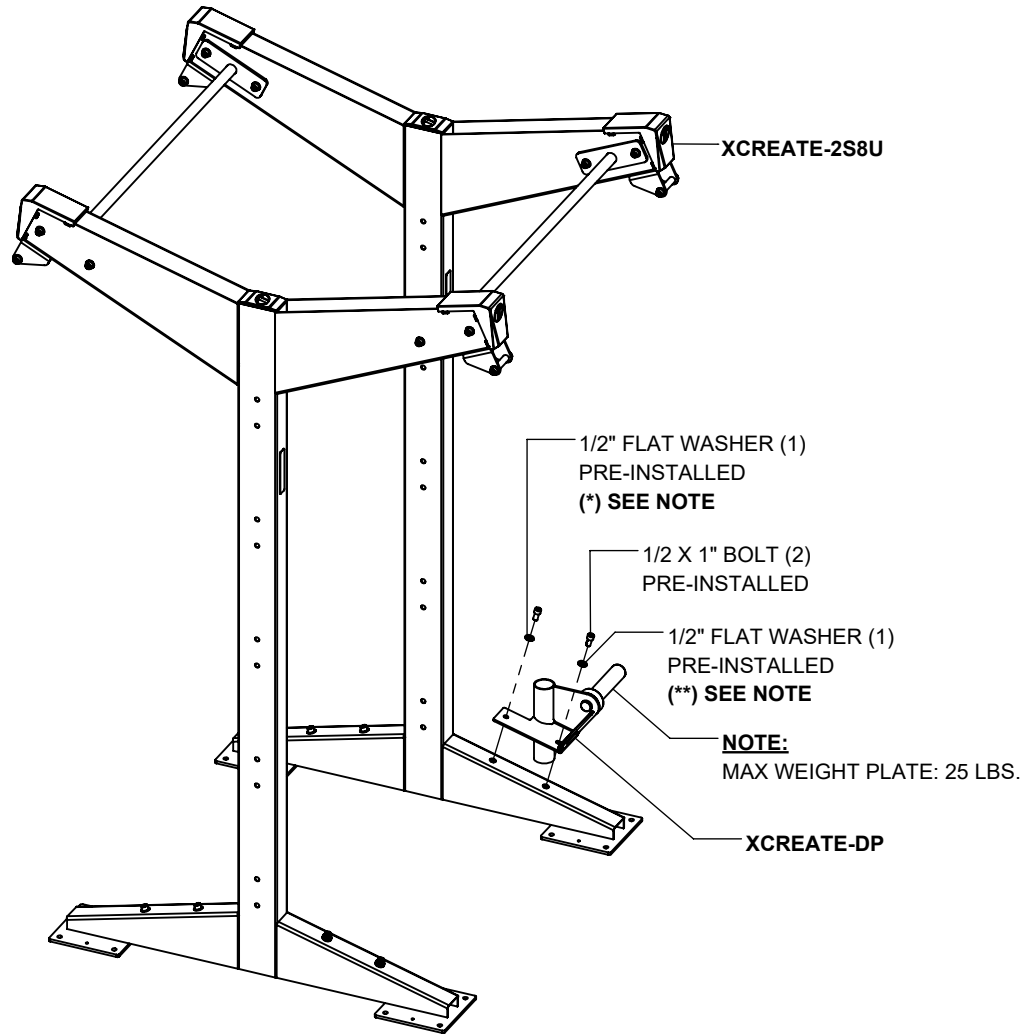
SECURELY tighten all bolt connections in this step.

(*) **HARDWARE COVERS CAN** be used in place of washers on **tube side only**. (SEE PAGE 3).

(**) **HARDWARE COVERS CANNOT** be used on **HSH** side.



**XCREATE-DP
DOUBLE PLAY (BAR & PLATE STORAGE)**

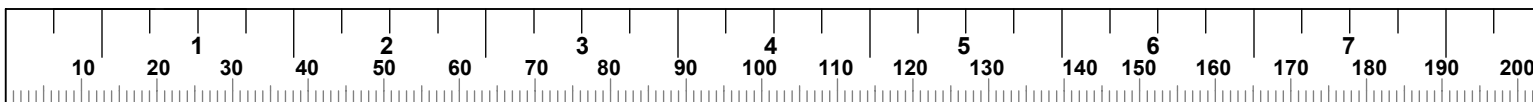


NOTES:

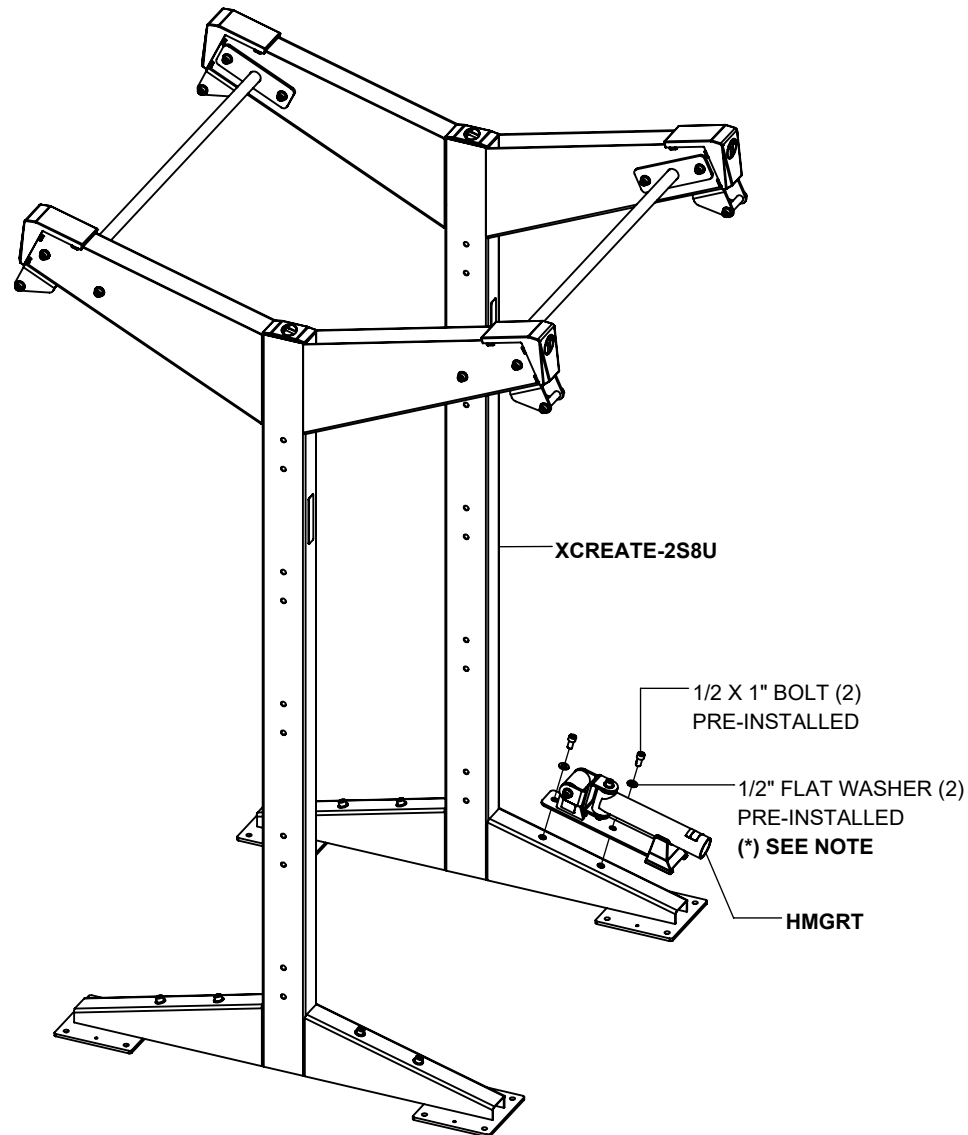
SECURELY tighten all bolt connections in this step.

(*) HARDWARE COVER **CAN** be used in place of washer.
(SEE PAGE 3).

(**) HARDWARE COVER **CANNOT** be used in place of washer.



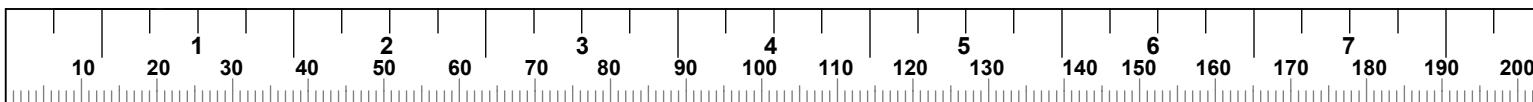
**XHMGRT
HORIZONTAL MOUNT GROUND
ROTATIONAL TRAINER**



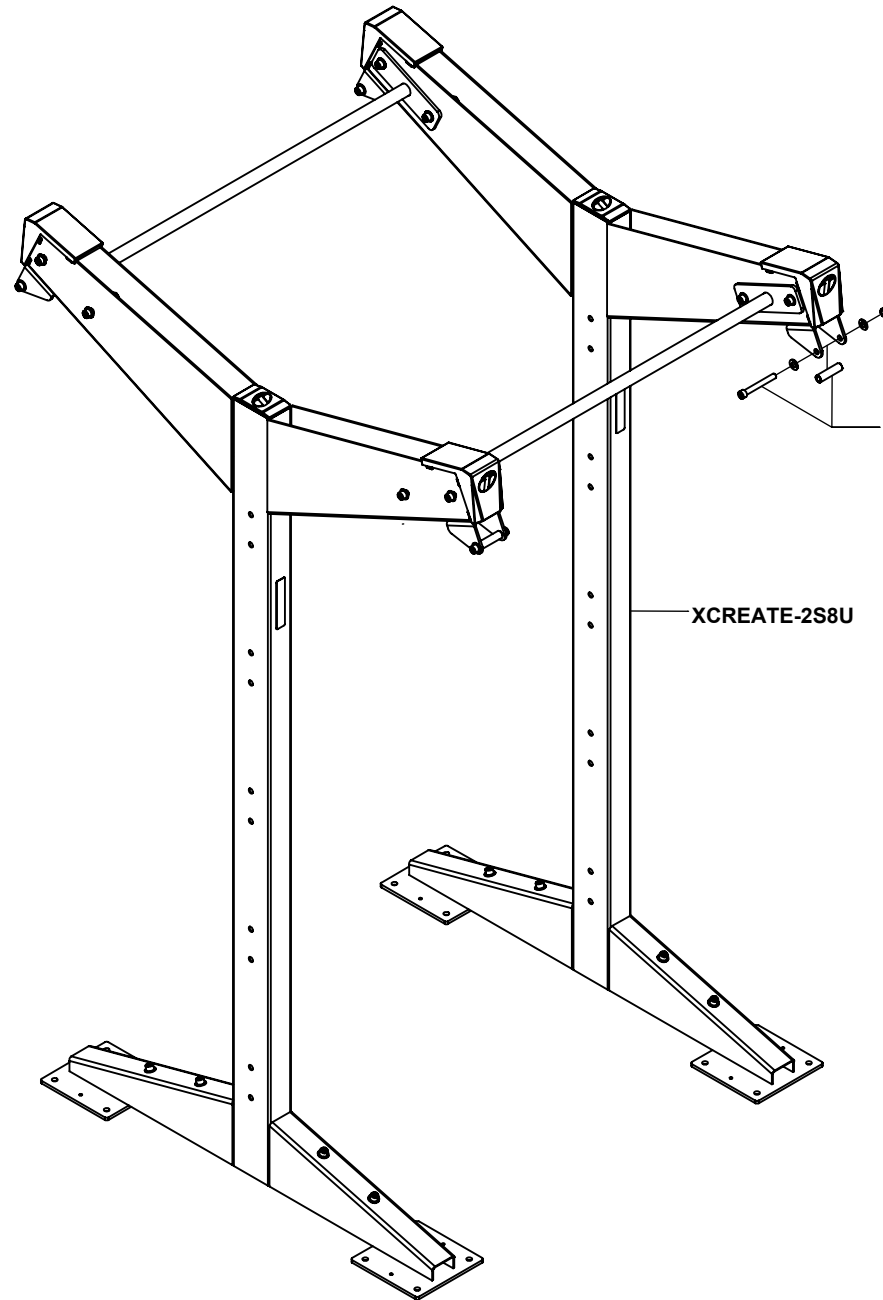
NOTES:

SECURELY tighten all bolt connections in this step.

(*) **HARDWARE COVERS CAN** be used in place of washers in this step. (SEE PAGE 3).



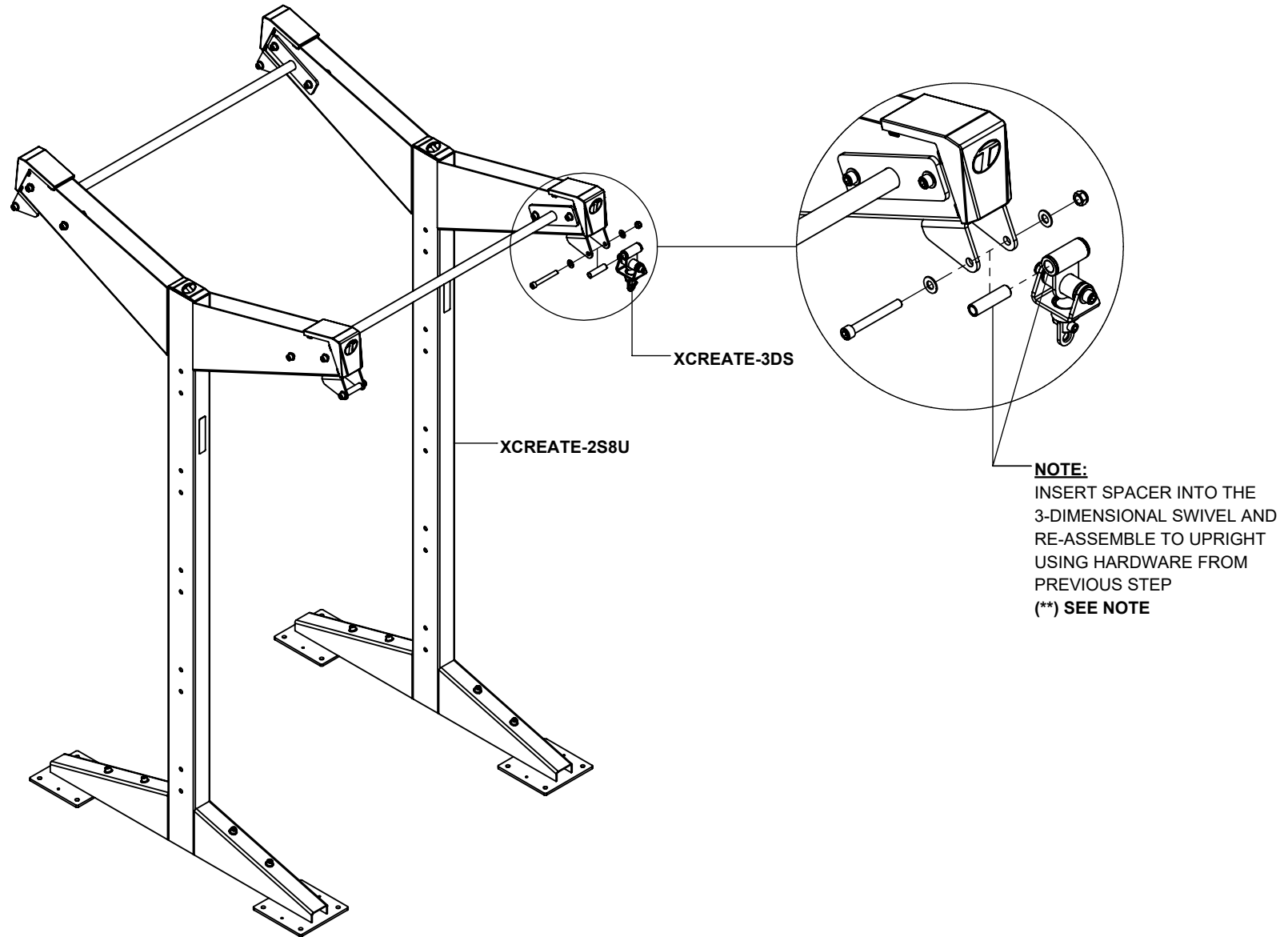
XCREATE-3DS
3 DIMENSIONAL SWIVEL



NOTE:
TEMPORARILY REMOVE BOLT,
SPACER, WASHERS AND NUT

XCREATE-2S8U

XCREATE-3DS
3-DIMENSIONAL SWIVEL

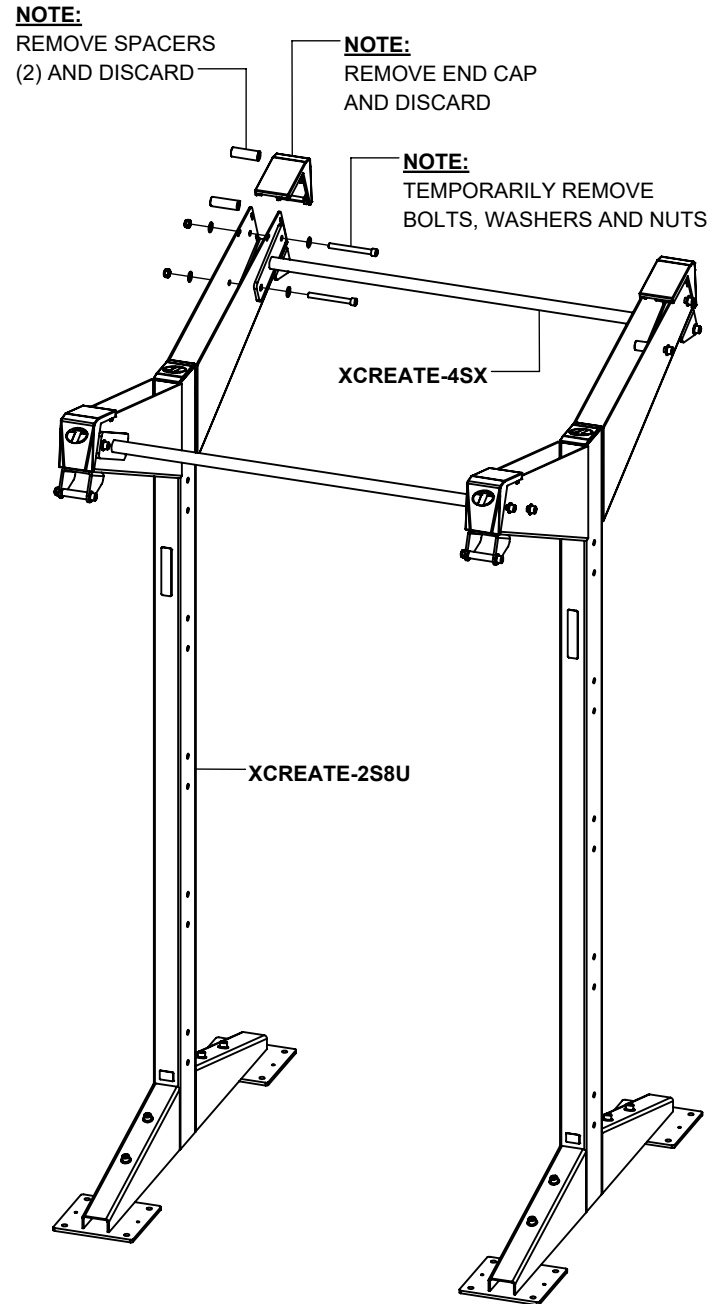


NOTES:

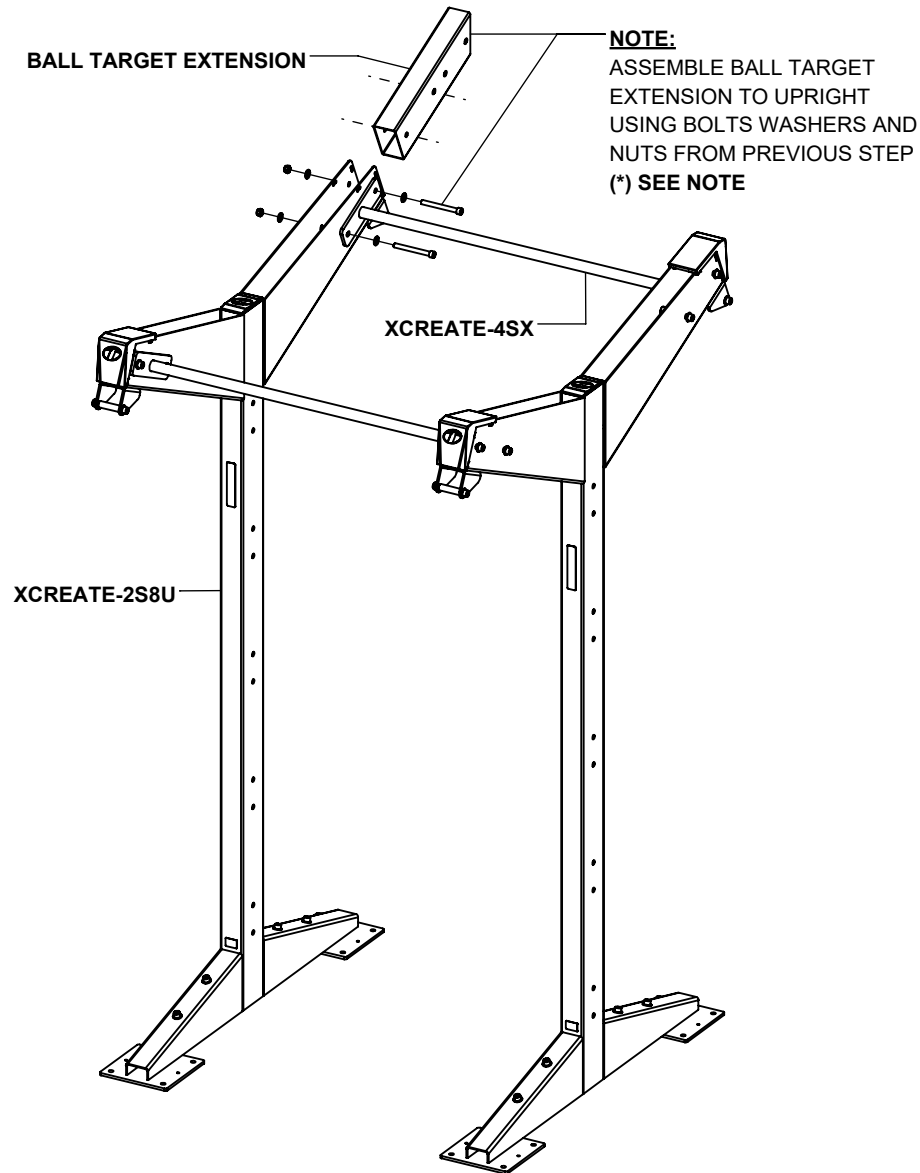
SECURELY tighten bolt connection in this step.

(**) **HARDWARE COVERS CANNOT** be used in place of washers in this step.

**XCREATE-BT
BALL TARGET**



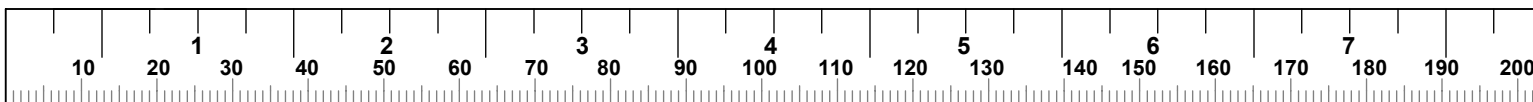
XCREATE-BT BALL TARGET



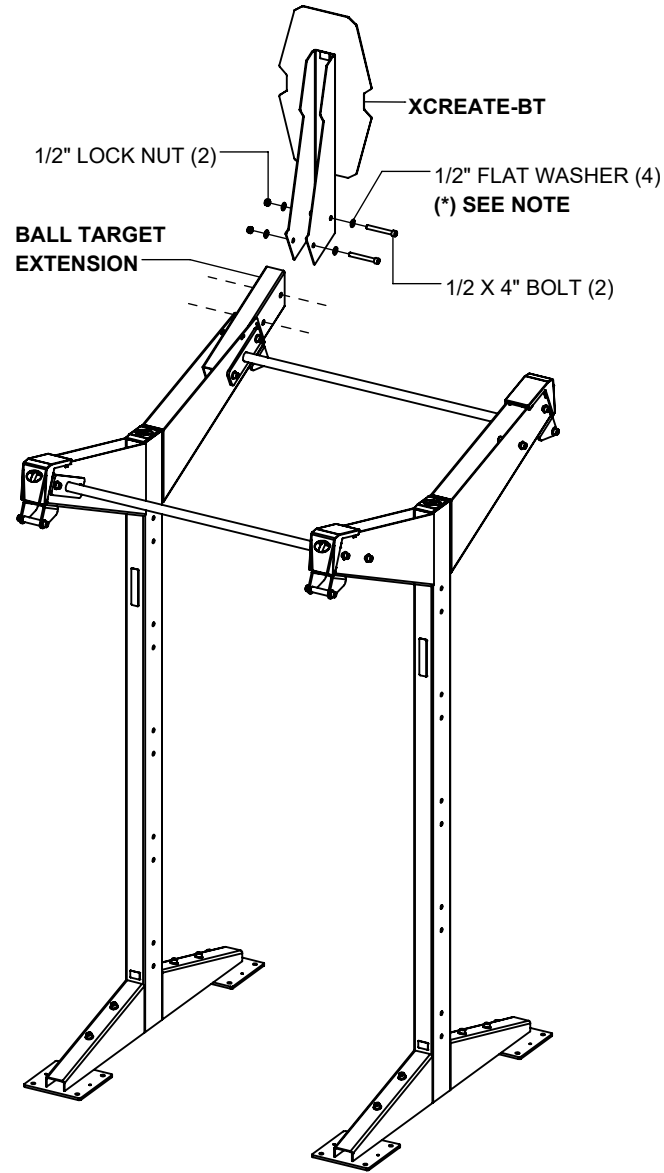
NOTES:

LOOSELY assemble bolt connections in this step.

(* **HARDWARE COVERS** **CAN** be used in place of washers in this step. (**SEE PAGE 3**).



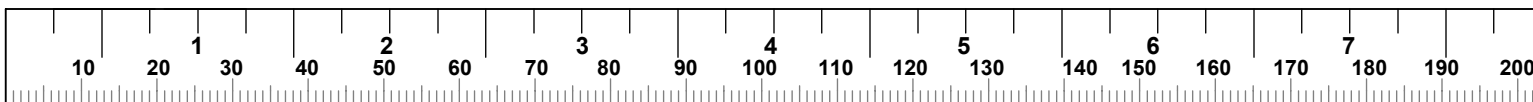
XCREATE-BT BALL TARGET



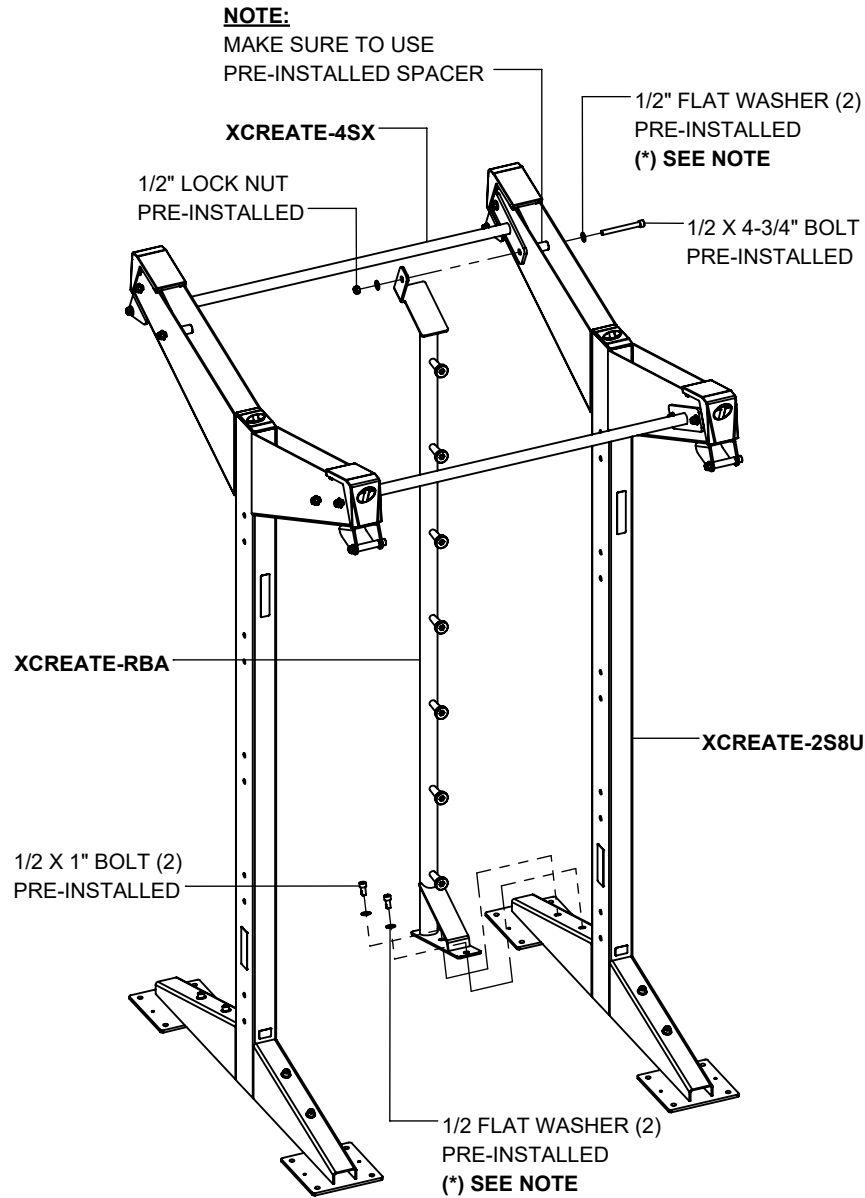
NOTES:

After this step has been completed, **SECURELY** tighten all bolt connections from the last two steps.

(*) **HARDWARE COVERS CAN** be used in place of washers in this step. **(SEE PAGE 3).**



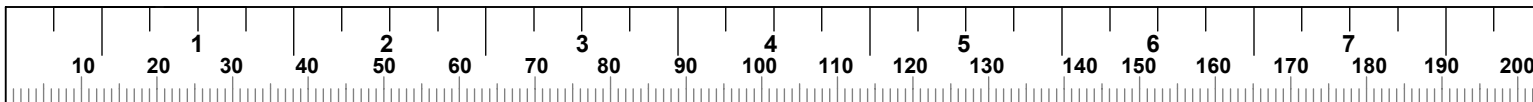
**XCREATE-RBA
RESISTANCE BAND ANCHOR**



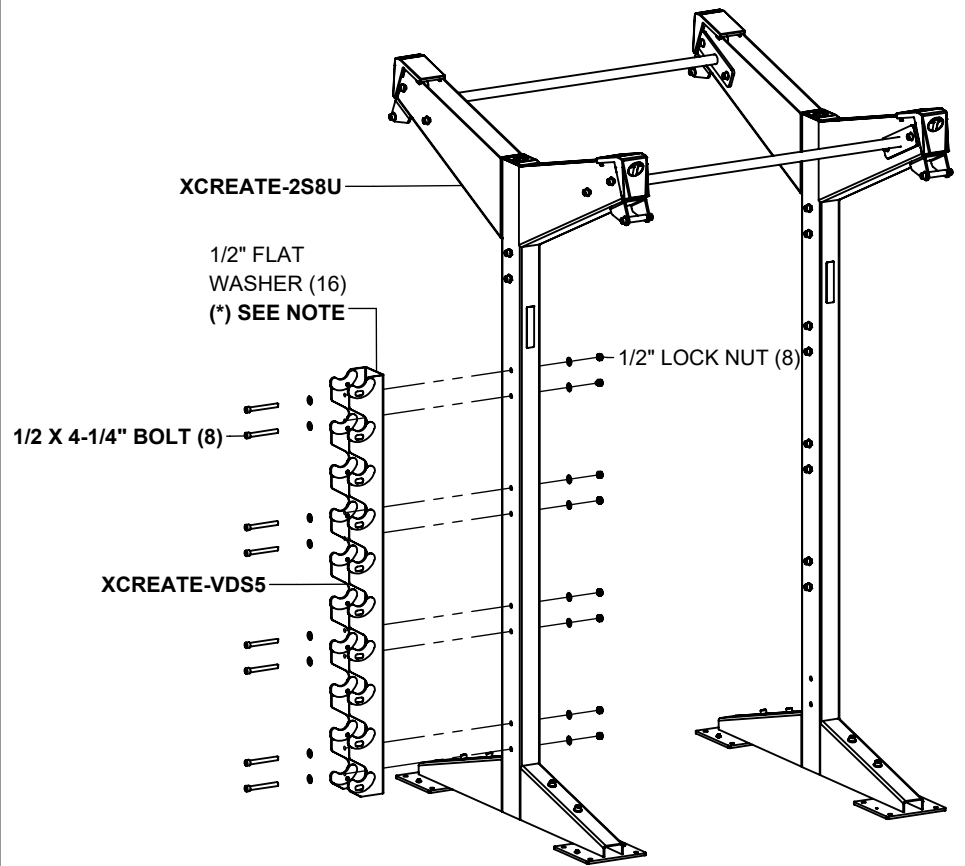
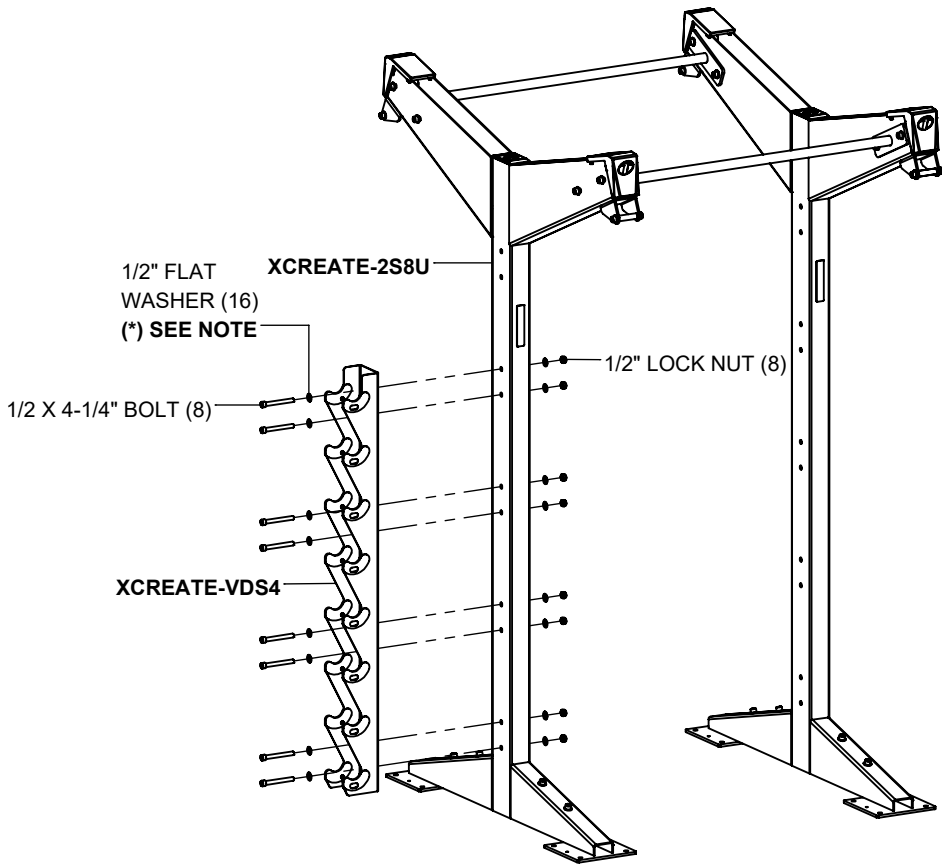
NOTES:

SECURELY tighten all bolt connections in this step.

(*) HARDWARE COVERS **CAN** be used in place of washers in this step. (SEE PAGE 3).



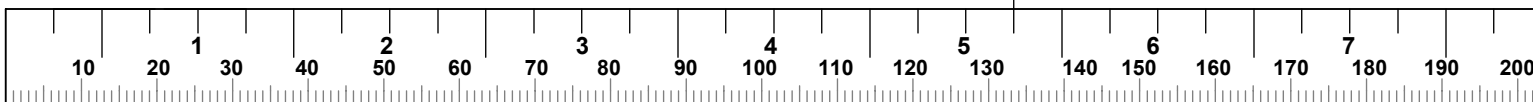
**XCREATE-VDS4 / VDS5
VERTICAL DUMBBELL STORAGE**



NOTES:

SECURELY tighten all bolt connections in this step.

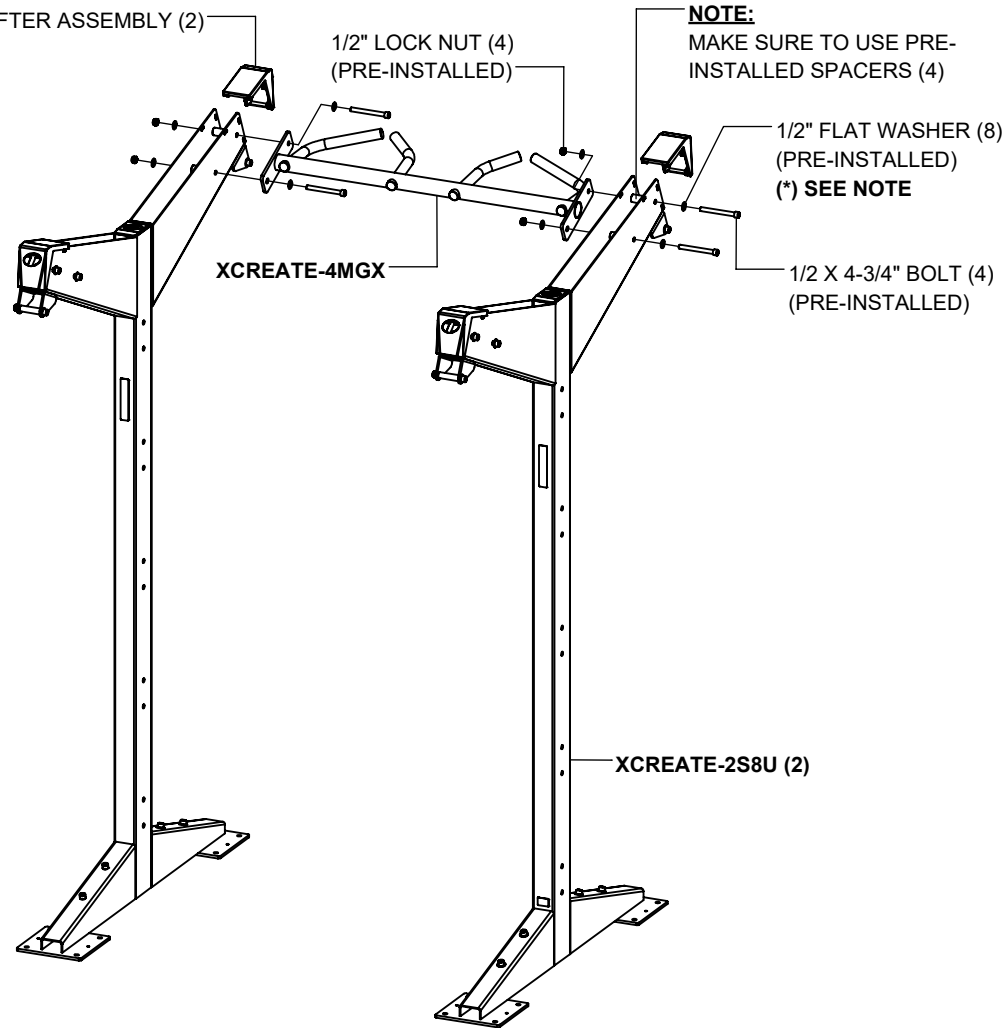
(* **HARDWARE COVERS** CAN be used in place of washers in this step. (SEE PAGE 3).



**XCREATE-4MGX
4' MULTI GRIP CROSS**

NOTE:

REMOVE END CAPS PRIOR TO ASSEMBLY. RE-ATTACH END CAPS AFTER ASSEMBLY (2)



NOTE:

MAKE SURE TO USE PRE-INSTALLED SPACERS (4)

1/2" FLAT WASHER (8)
(PRE-INSTALLED)
(* SEE NOTE)

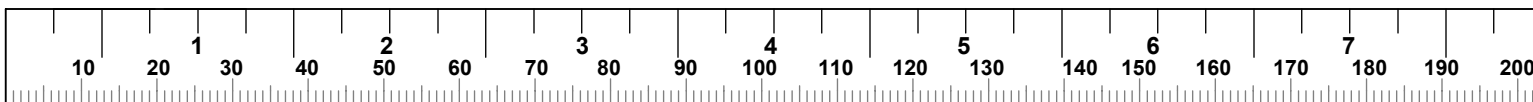
1/2 X 4-3/4" BOLT (4)
(PRE-INSTALLED)

XCREATE-2S8U (2)

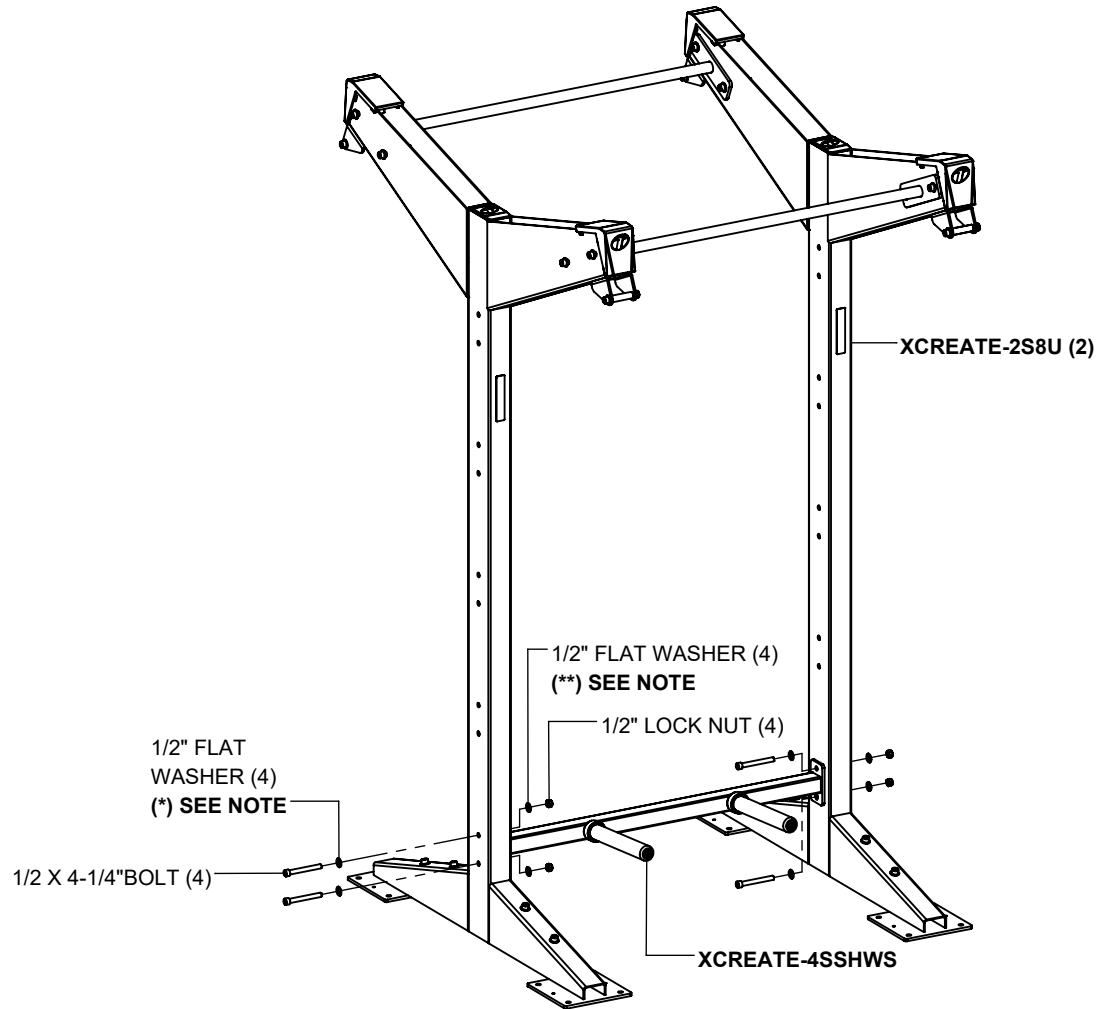
NOTES:

SECURELY tighten all bolt connections in this step.

(* HARDWARE COVERS **CAN** be used in place of washers in this step. (SEE PAGE 3).



**XCREATE 4SSHWS
4' SINGLE SIDE HORIZONTAL WEIGHT STORAGE**

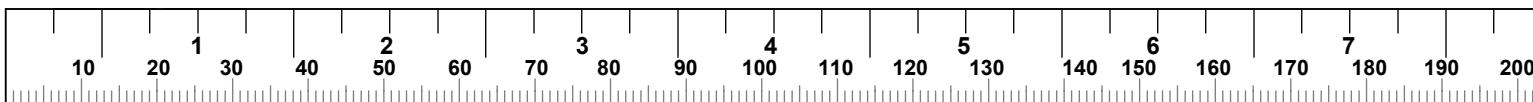


NOTES:

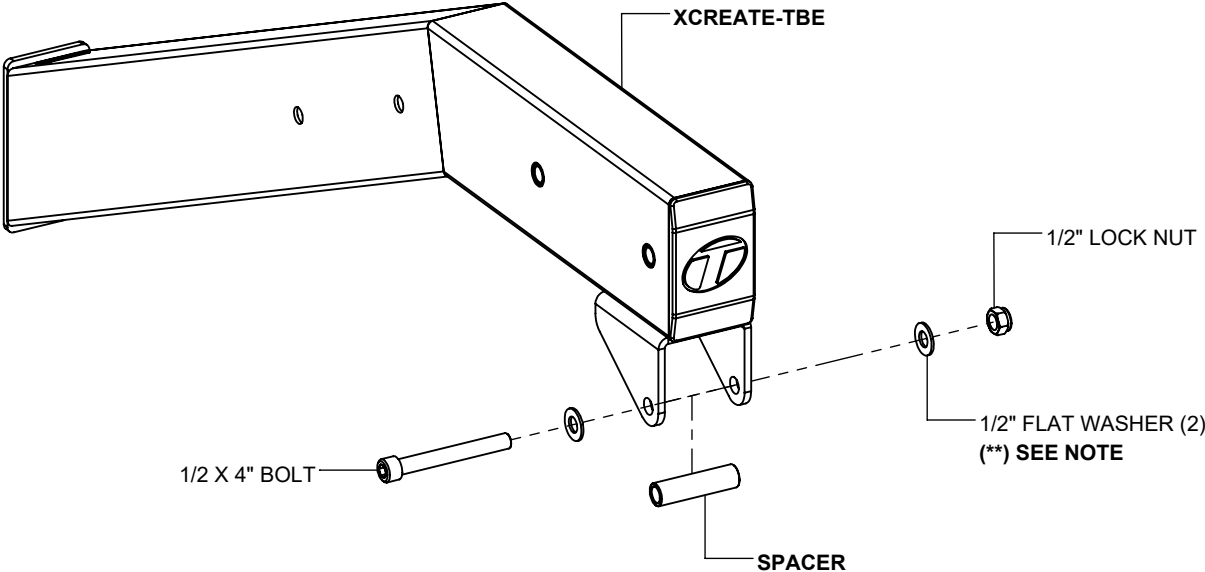
SECURELY tighten all bolt connections in this step.

(*) **HARDWARE COVERS CAN** be used in place of washers on **tube** side only. (SEE PAGE 3).

(**) **HARDWARE COVERS CANNOT** be used on plate side.



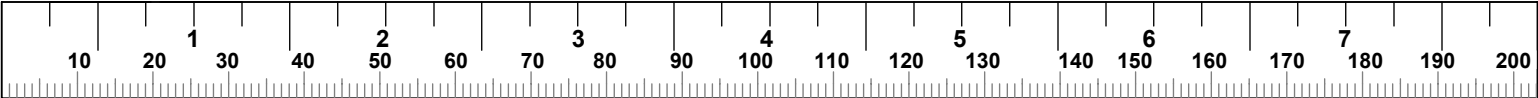
**XCREATE-TBE
TOP BOOM EXTENSION**



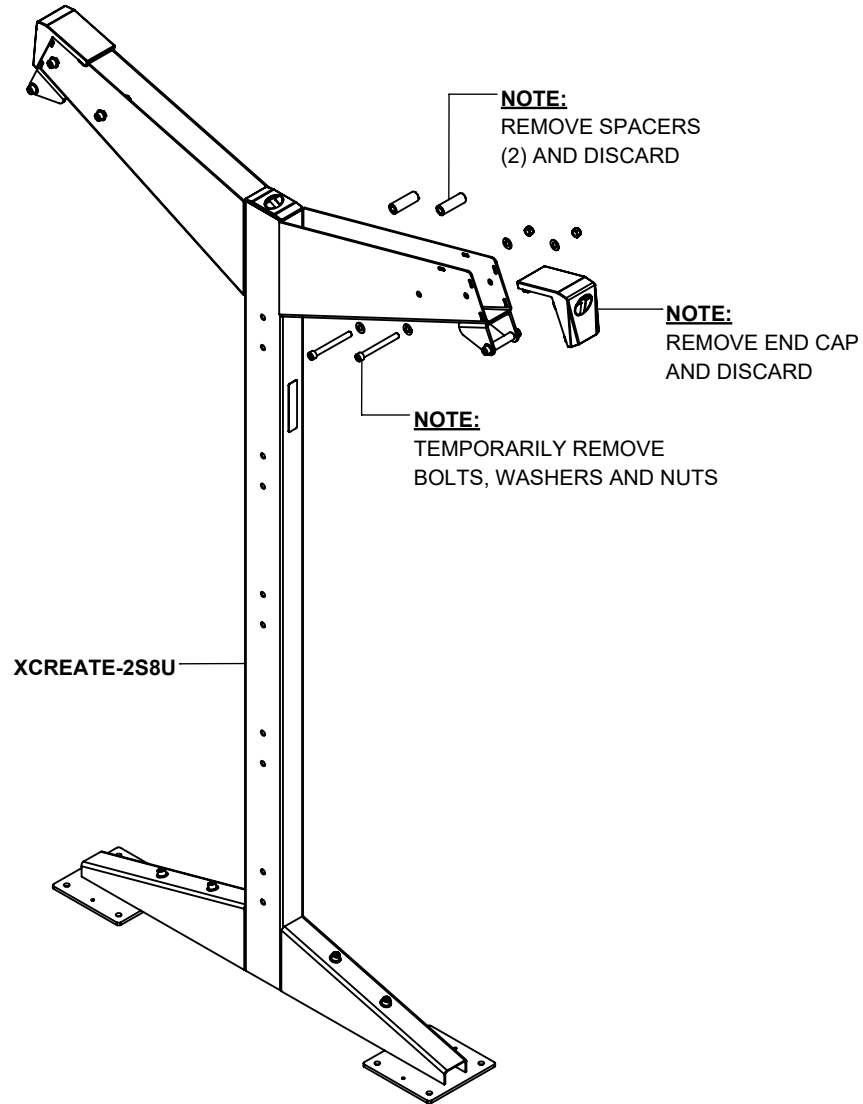
NOTES:

SECURELY tighten bolt connection in this step.

(**) **HARDWARE COVERS CANNOT** be used in place of washers in this step.



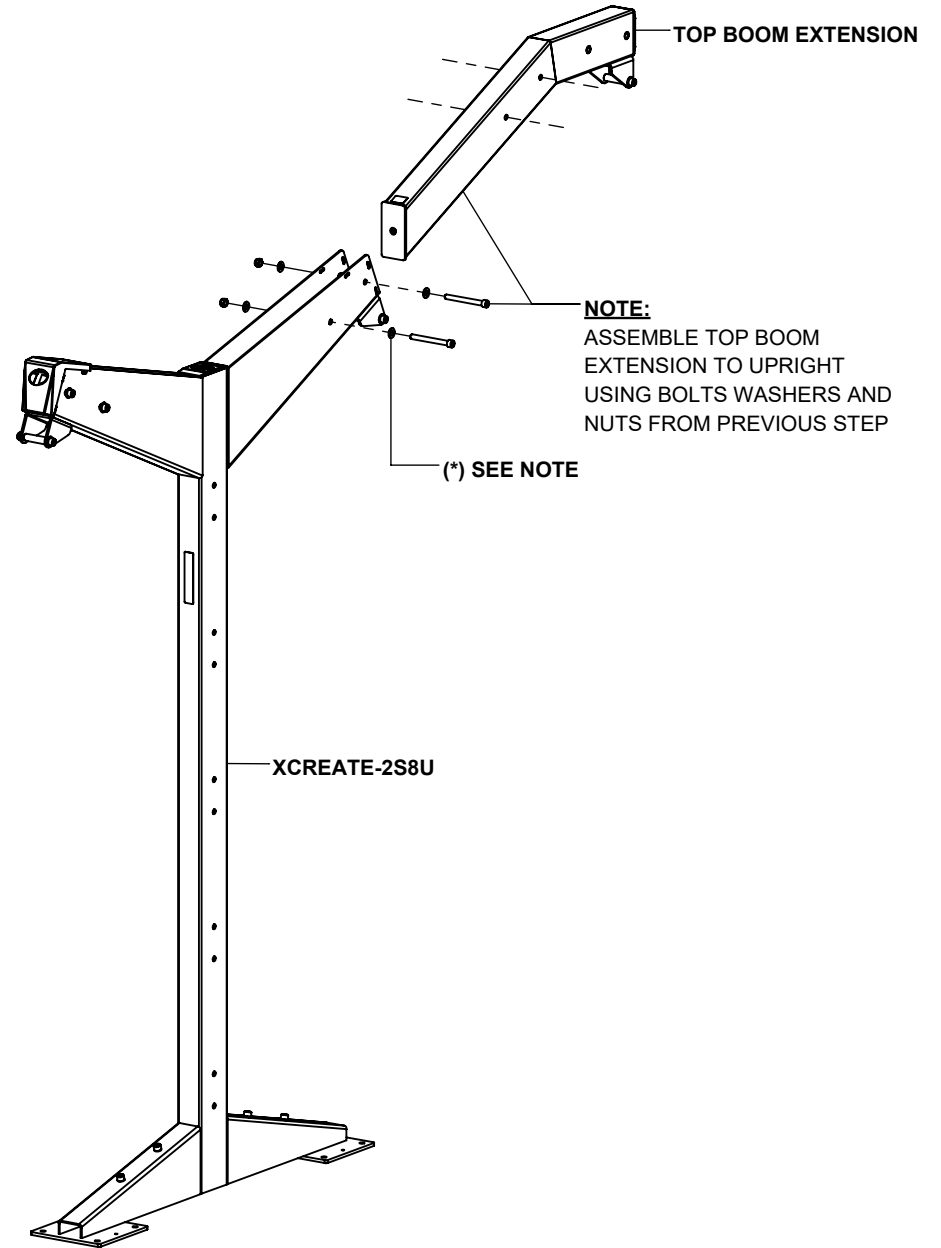
**XCREATE-TBE
TOP BOOM EXTENSION**



NOTE:

Repeat this step for as many TOP BOOM EXTENSIONS there are to assemble.

**XCREATE-TBE
TOP BOOM EXTENSION**



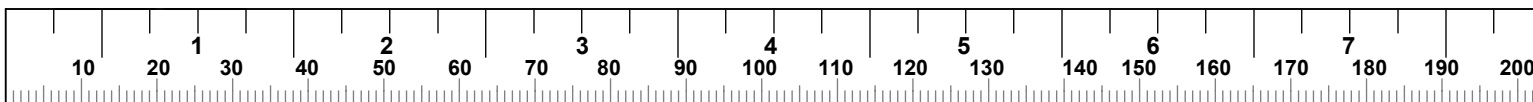
NOTES:

Repeat this step for as many TOP BOOM EXTENSIONS there are to assemble.

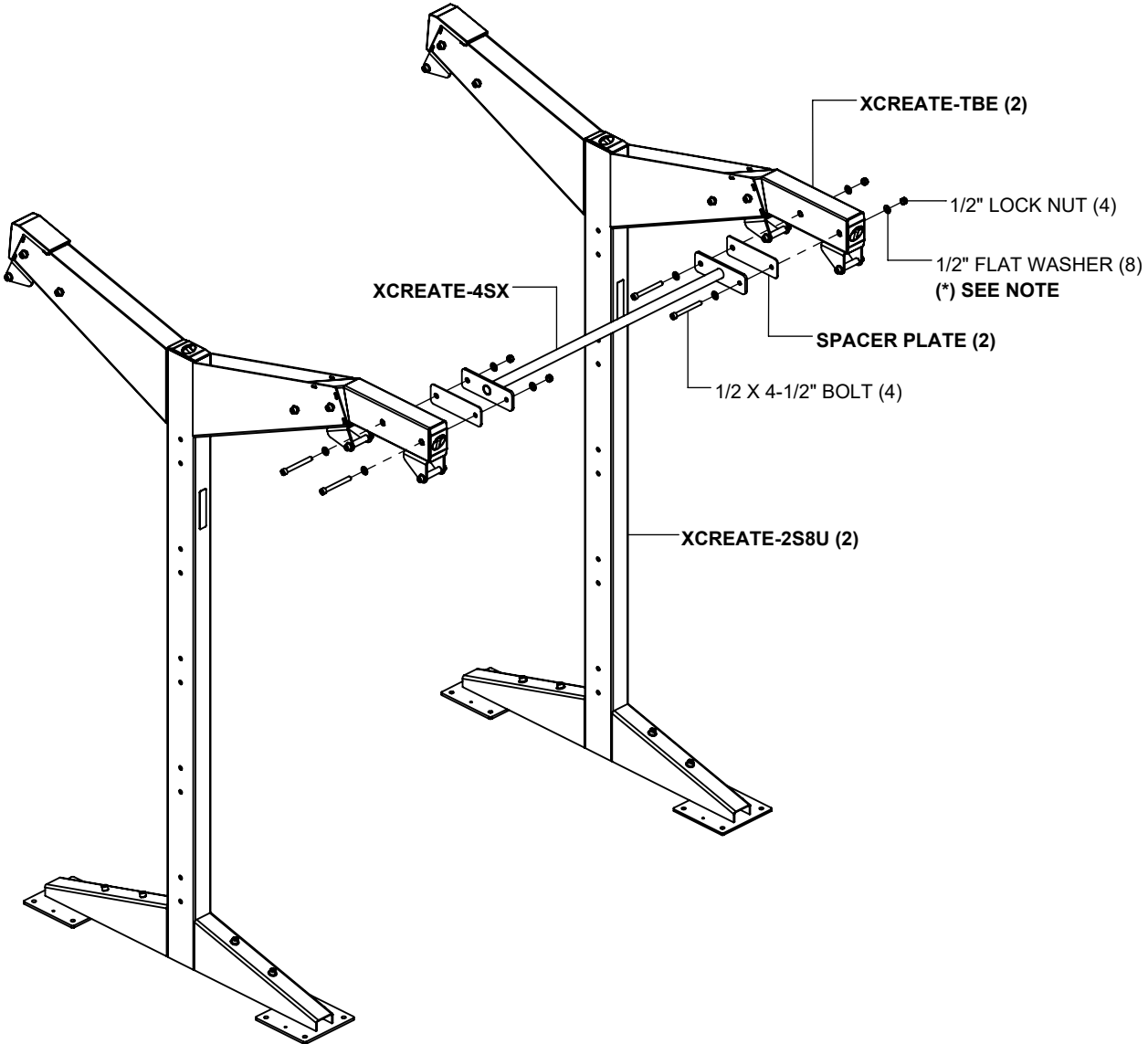
If only one TOP BOOM EXTENSION is being assembled, then **SECURELY** tighten all bolt connections in this step.

If joining two TOP BOOM EXTENSIONS together, then keep all bolt connections loose until next step.

(*) HARDWARE COVERS **CAN** be used in place of washers in this step. (SEE PAGE 3).



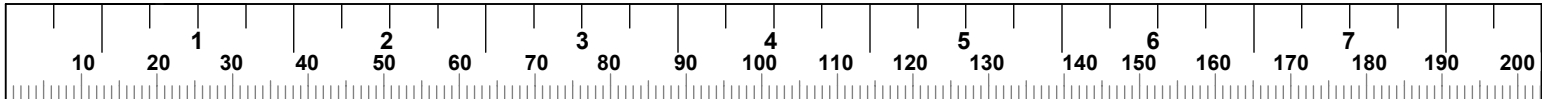
**XCREATE-TBE
TOP BOOM EXTENSION**



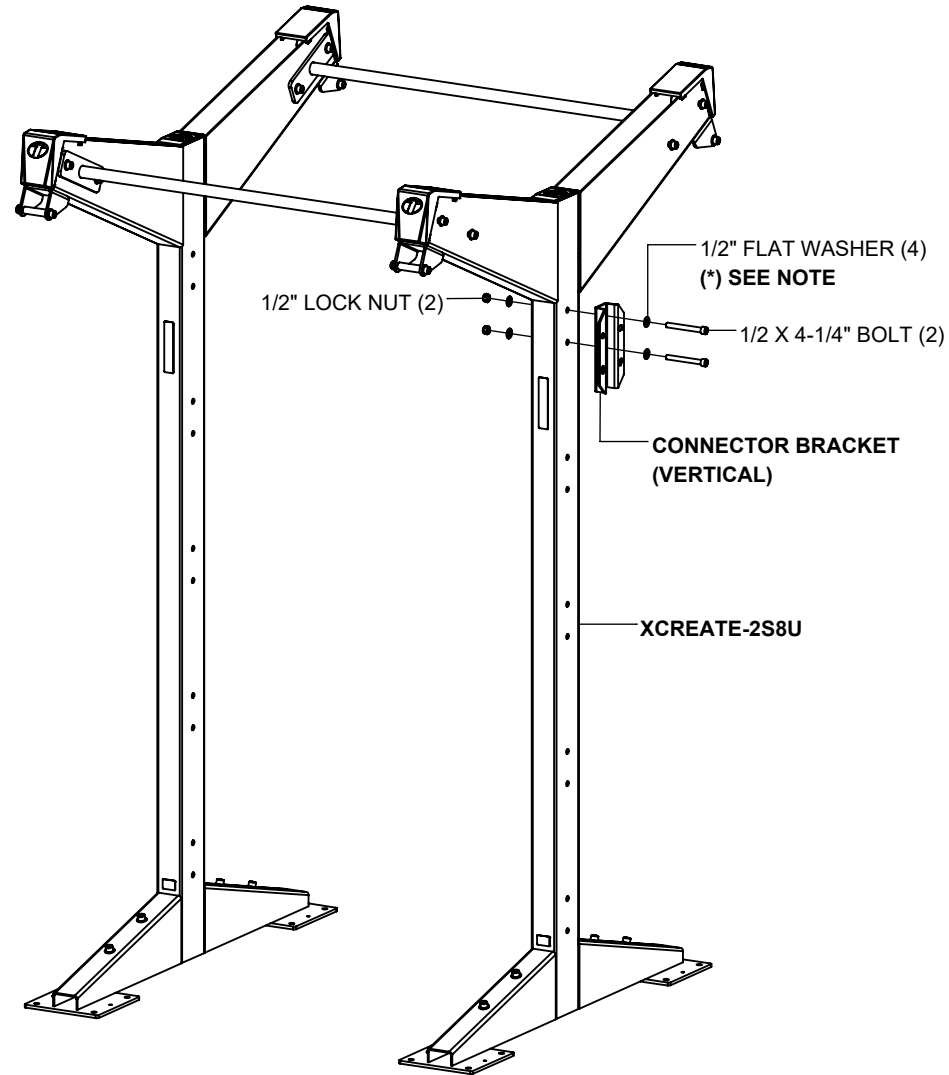
NOTES:

SECURELY tighten all bolt connections in this step.

(*) **HARDWARE COVERS** **CAN** be used in place of washers in this step. (**SEE PAGE 3**).



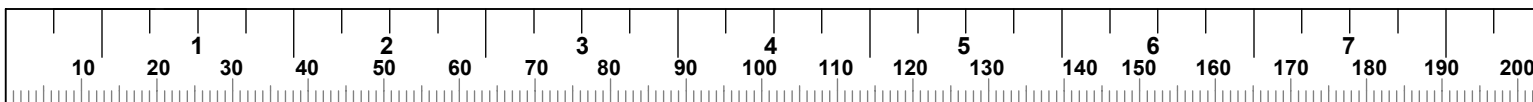
**XERD
ENDLESS ROPE DRUM (VERTICAL MOUNT)**



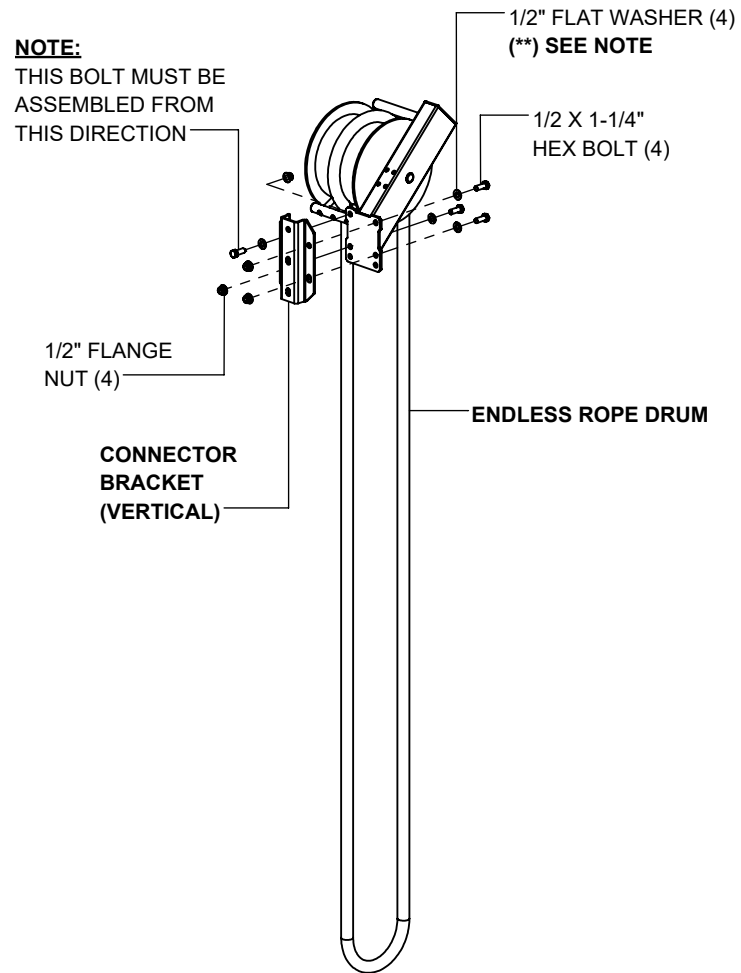
NOTES:

SECURELY tighten all bolt connections in this step.

(* HARDWARE COVERS **CAN** be used in place of washers in this step. (SEE PAGE 3).



XERD
ENDLESS ROPE DRUM (VERTICAL MOUNT)

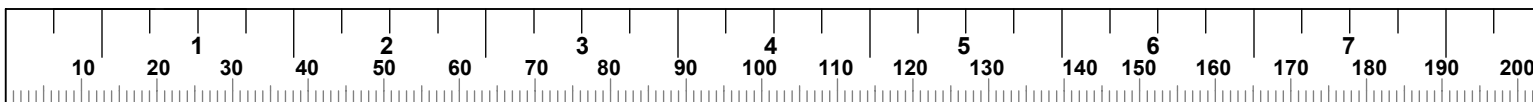


NOTES:

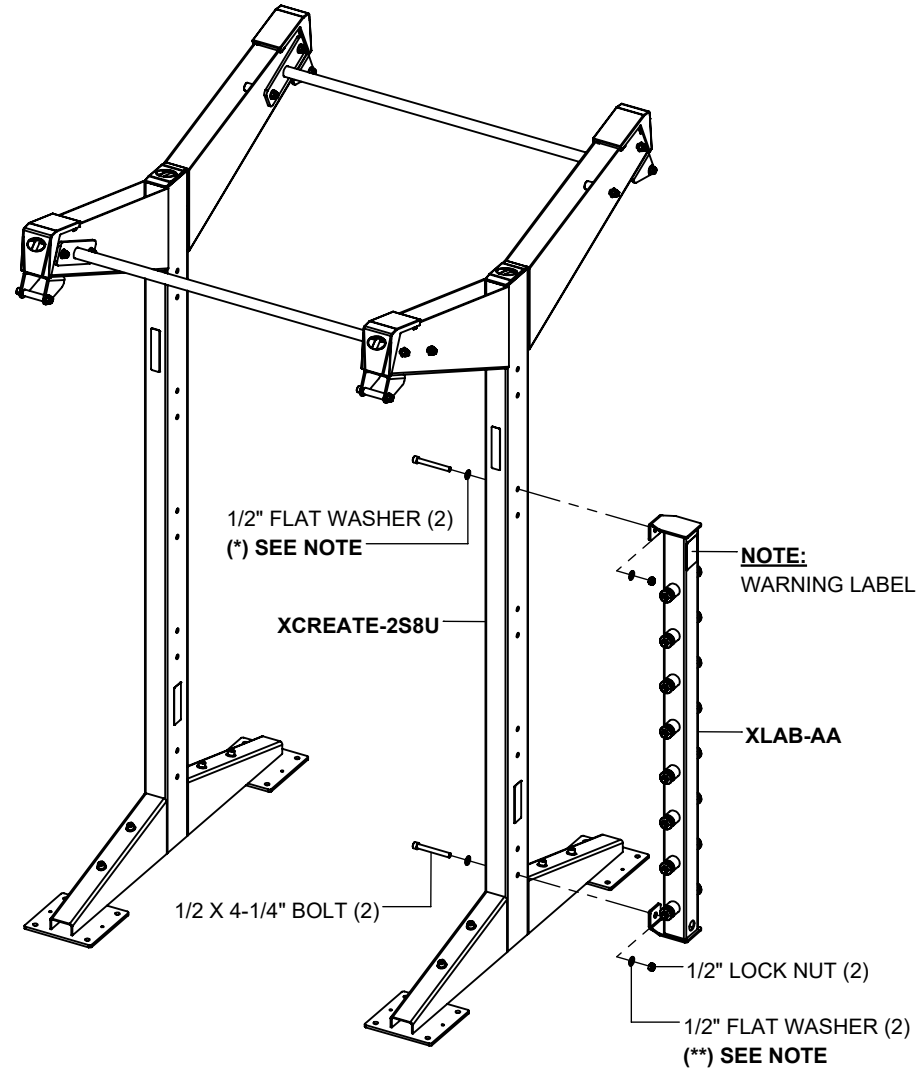
Some parts have been hidden for assembly clarity.

SECURELY tighten all bolt connections in this step.

(**) **HARDWARE COVERS CANNOT** be used in place of washers in this step.



**XLAB-AA
ATTACHMENT ANCHOR**

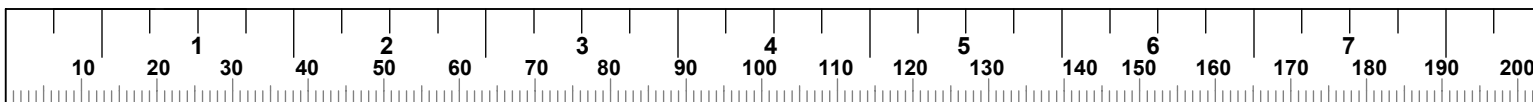


NOTES:

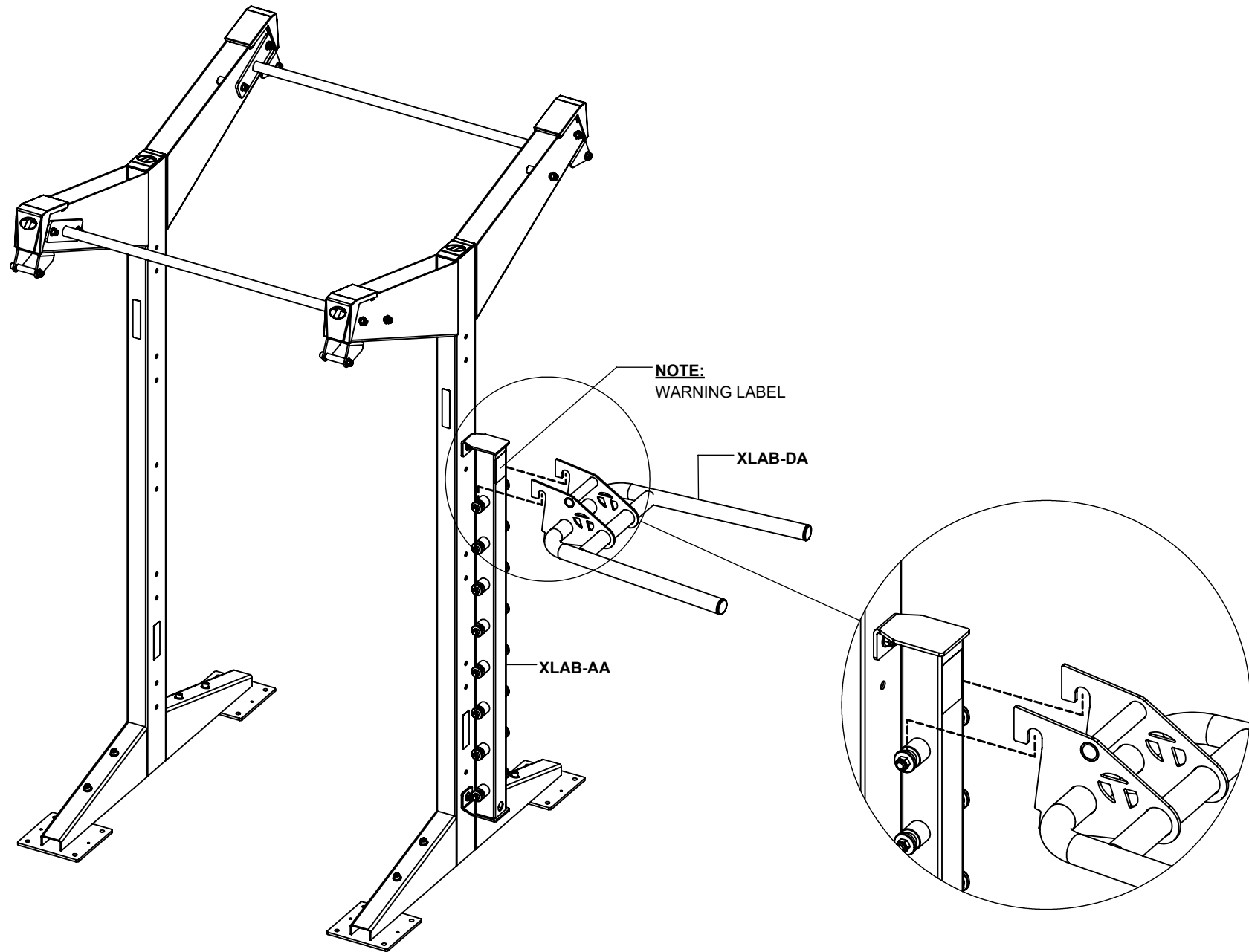
SECURELY tighten all bolt connections in this step.

(*) **HARDWARE COVERS CAN** be used in place of washers on **tube side only**. (SEE PAGE 3).

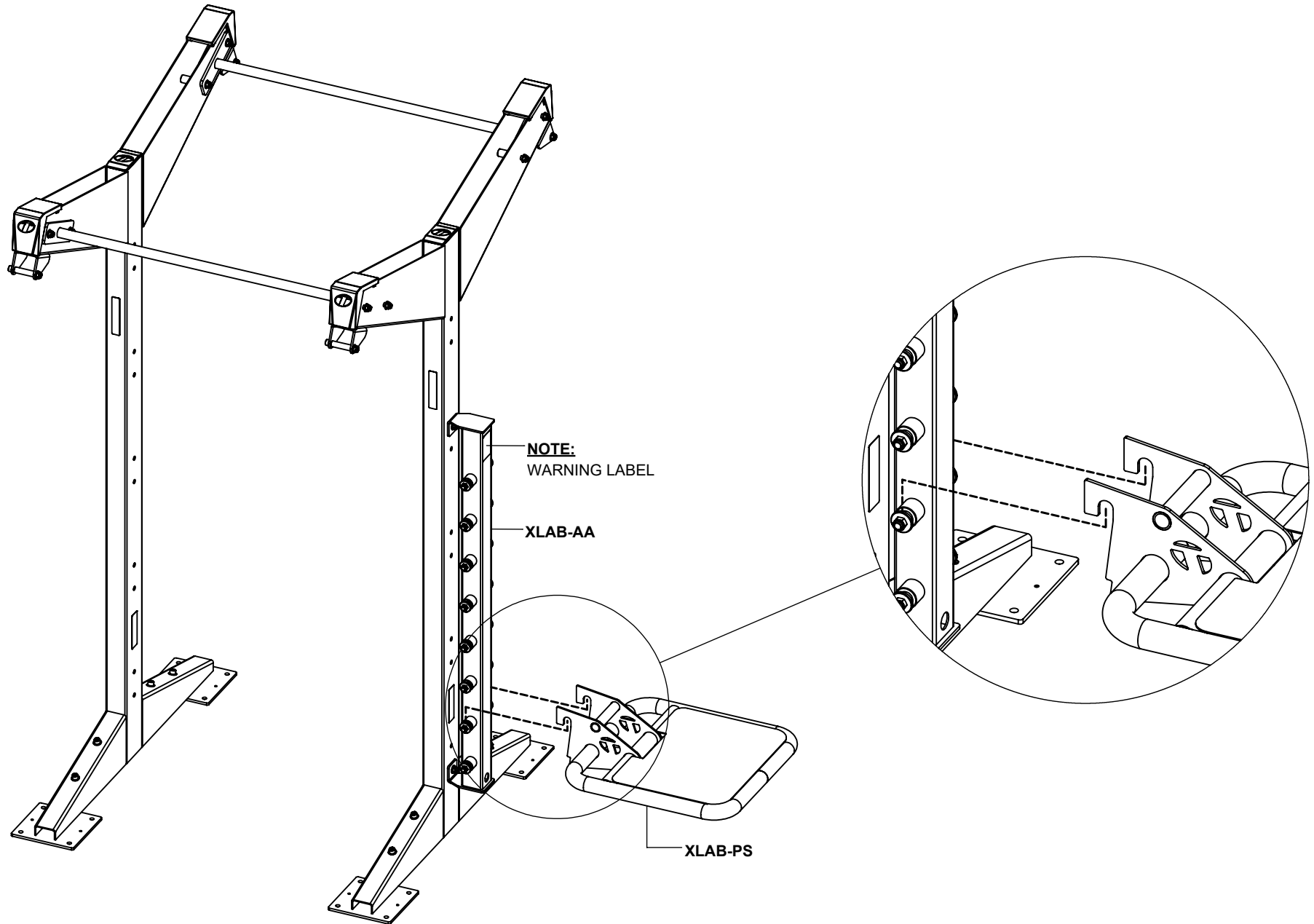
(**) **HARDWARE COVERS CANNOT** be used on plate side.



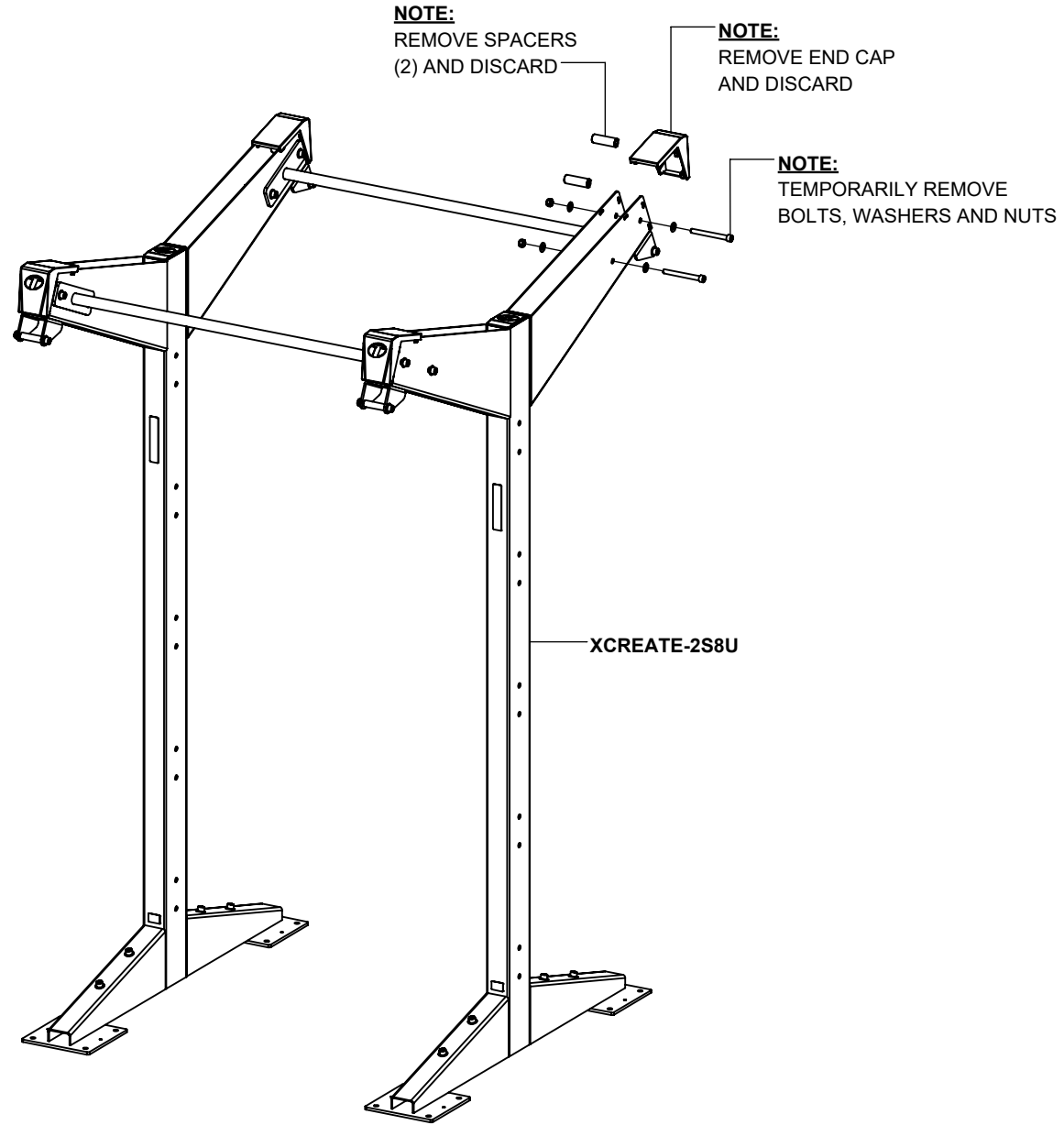
**XLAB-DA
DIP ATTACHMENT**



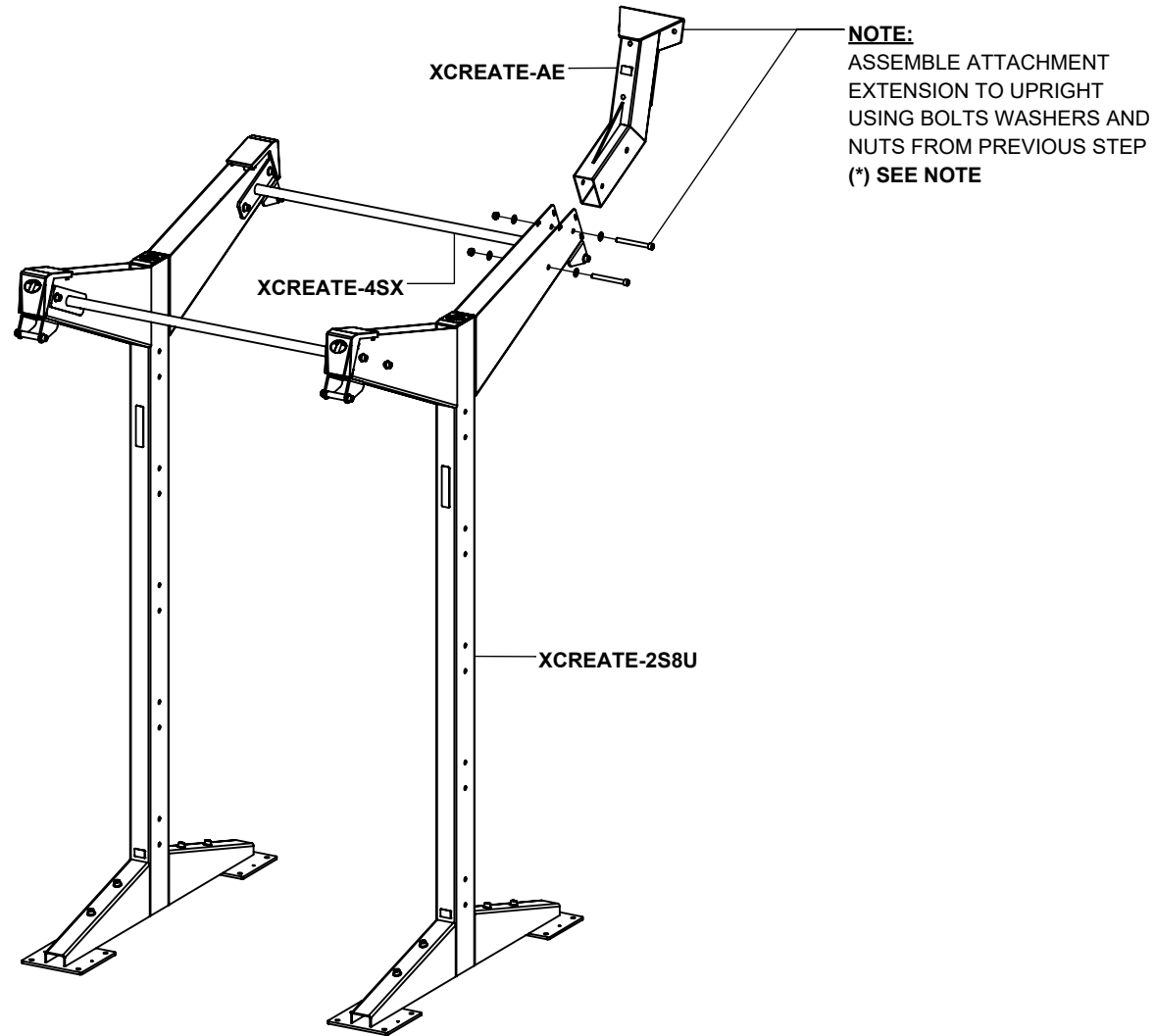
XLAB-PS
PLYO STEP



XCREATE-AE ATTACHMENT EXTENSION



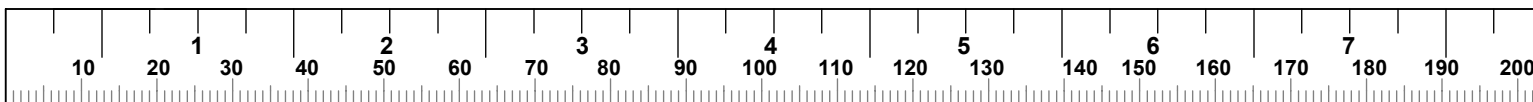
XCREATE-AE ATTACHMENT EXTENSION



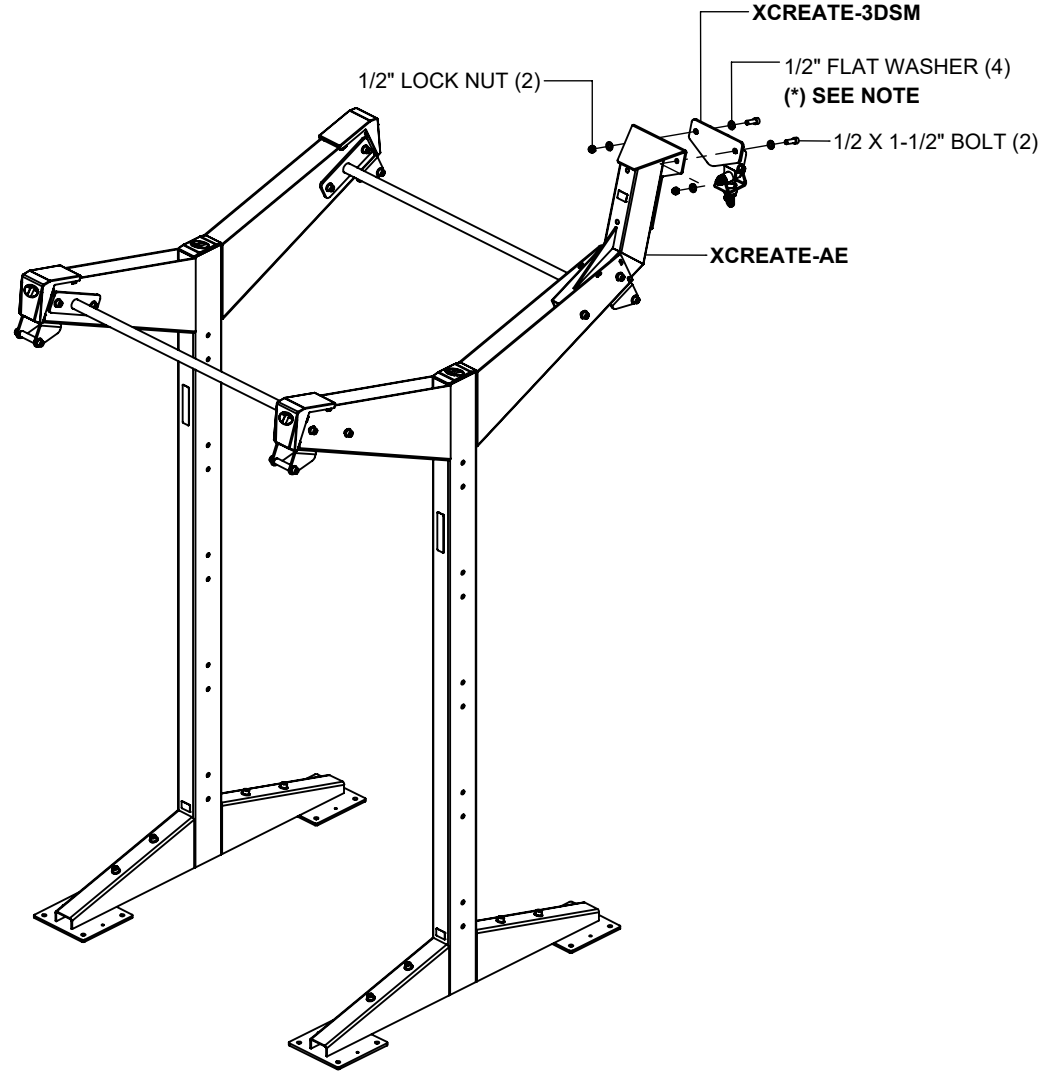
NOTES:

SECURELY assemble bolt connections in this step.

(*) **HARDWARE COVERS CAN** be used in place of washers in this step. **(SEE PAGE 3).**



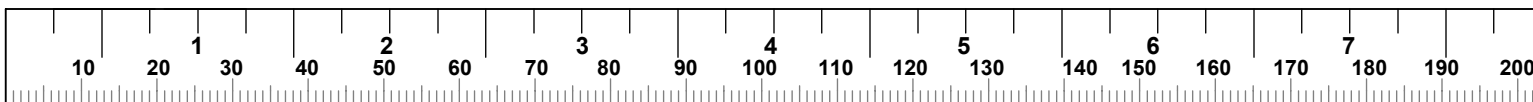
XCREATE-AE & XCREATE-3DSM ATTACHMENT EXTENSION AND 3 DIMENSIONAL SWIVEL W MOUNT



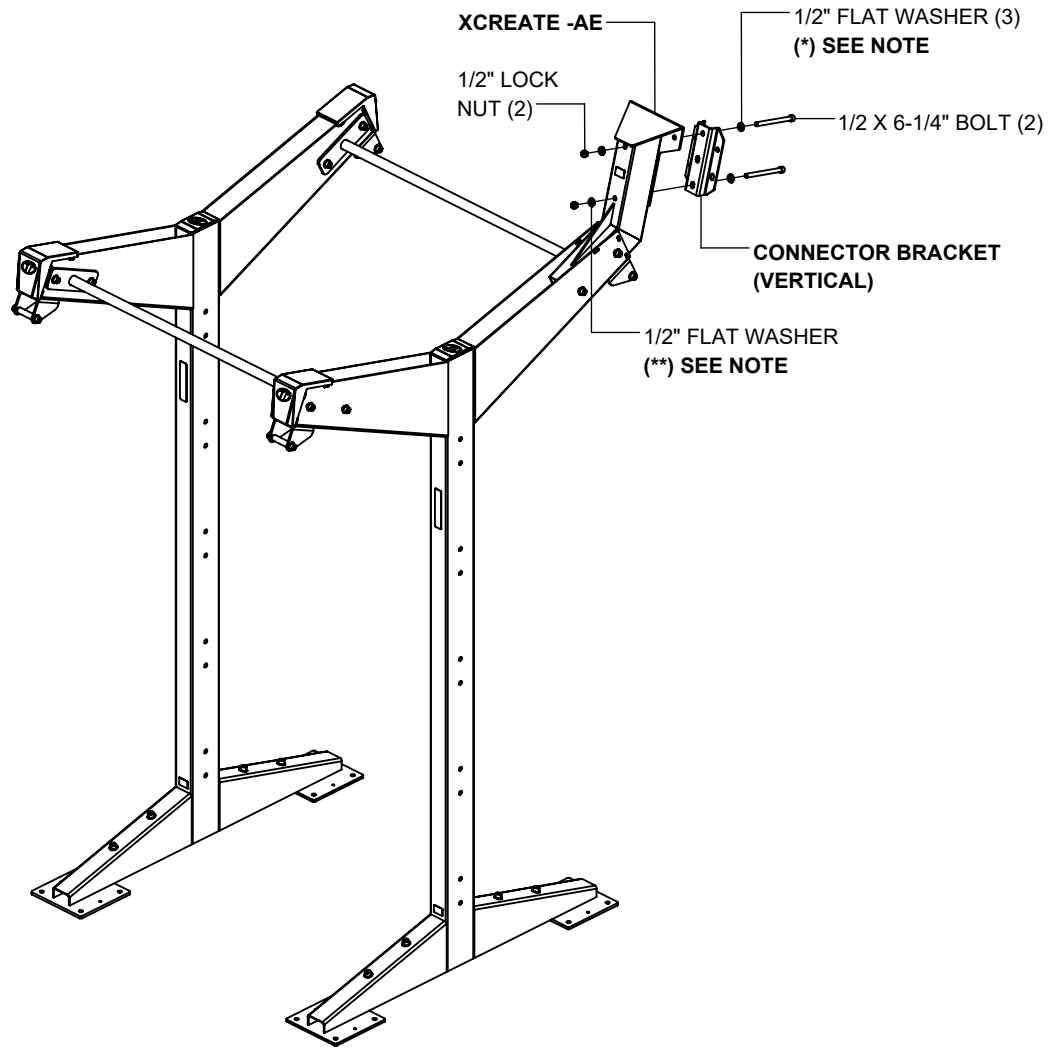
NOTES:

SECURELY assemble bolt connections in this step.

(* **HARDWARE COVERS** **CAN** be used in place of washers in this step. **(SEE PAGE 3).**



**XCREATE-AE & XERD
ATTACHMENT EXTENSION AND
ENDLESS ROPE DRUM**

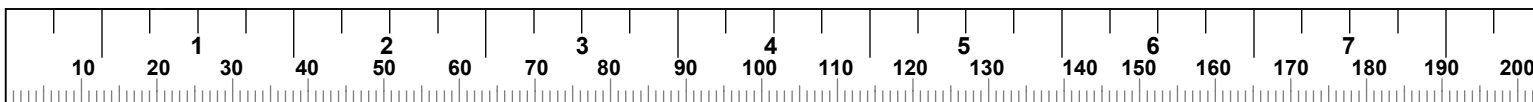


NOTES:

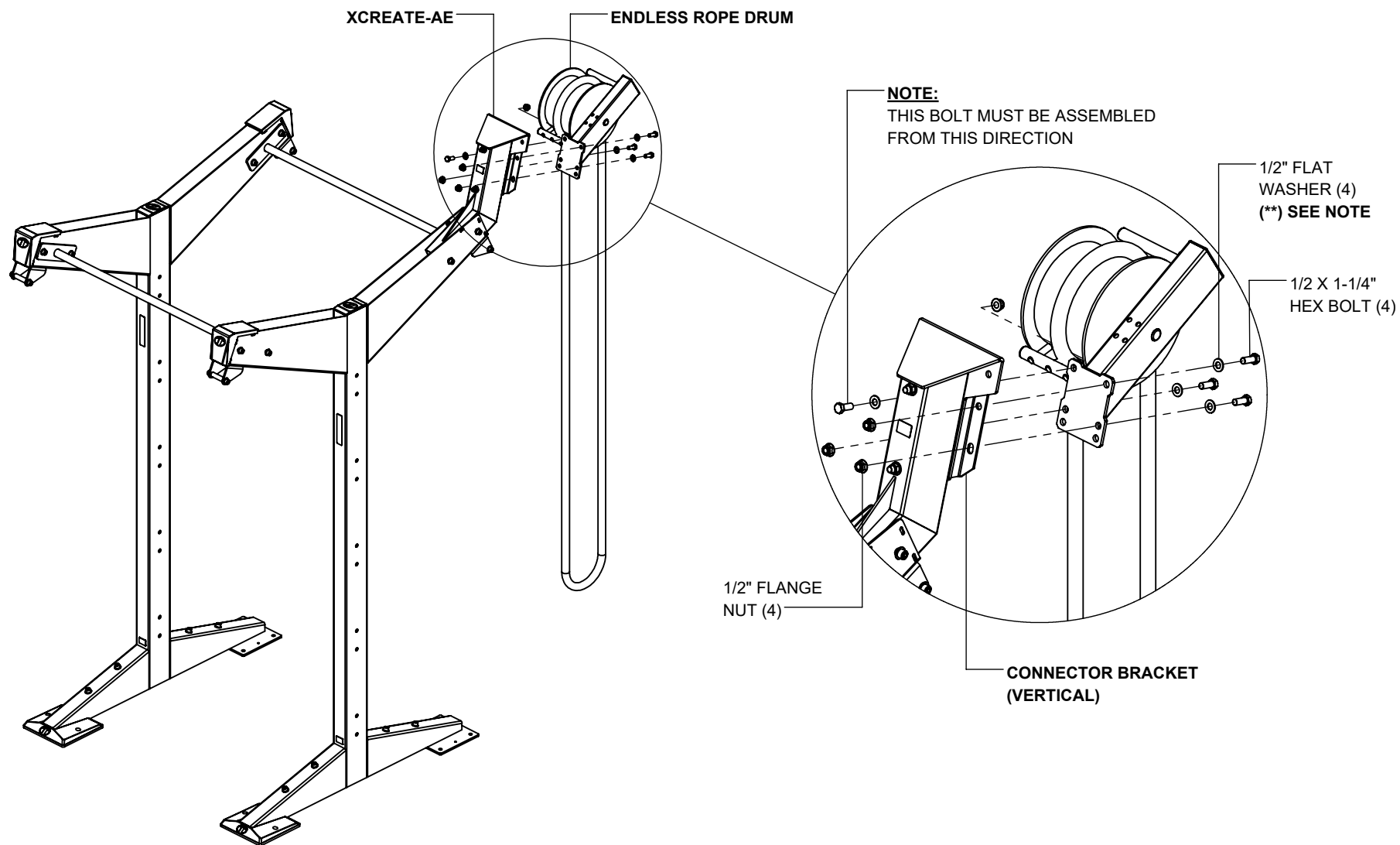
SECURELY assemble bolt connections in this step.

(*) HARDWARE COVERS **CAN** be used in place of washers.
(SEE PAGE 3).

(**) HARDWARE COVERS **CANNOT** be used in place of washer.



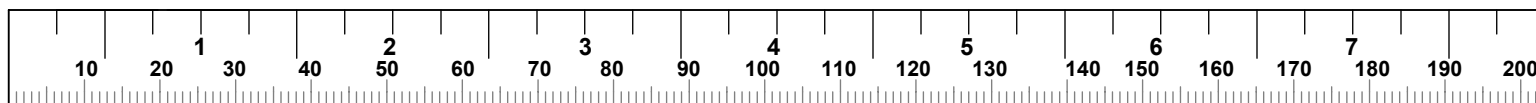
**XCREATE-AE & XERD
ATTACHMENT EXTENSION AND
ENDLESS ROPE DRUM**



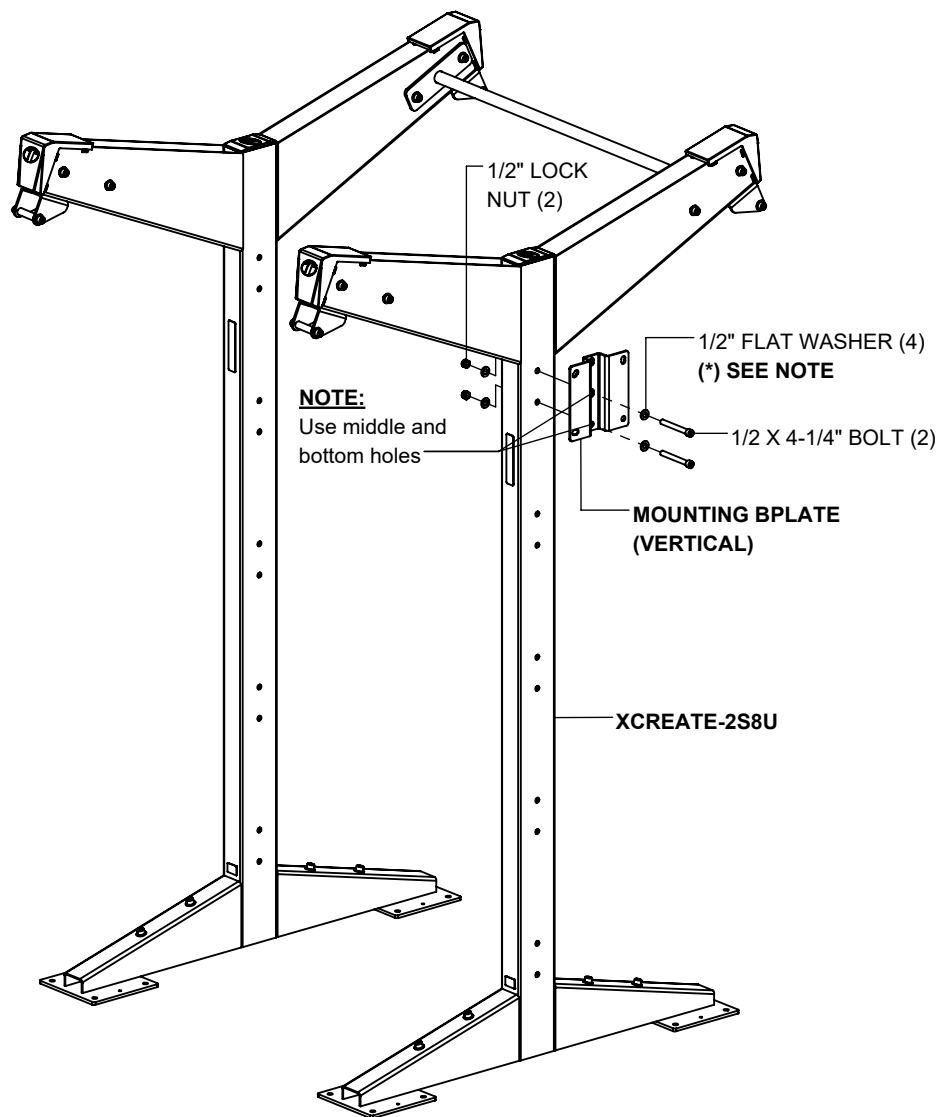
NOTES:

SECURELY assemble bolt connections in this step.

(**) **HARDWARE COVERS CANNOT** be used in place of washers in this step. (SEE PAGE 3).



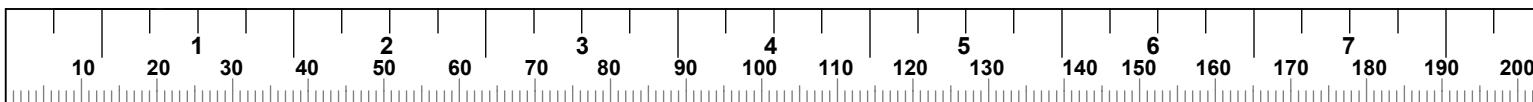
**XERT
ENDLESS ROPE TRAINER (VERTICAL MOUNT)**



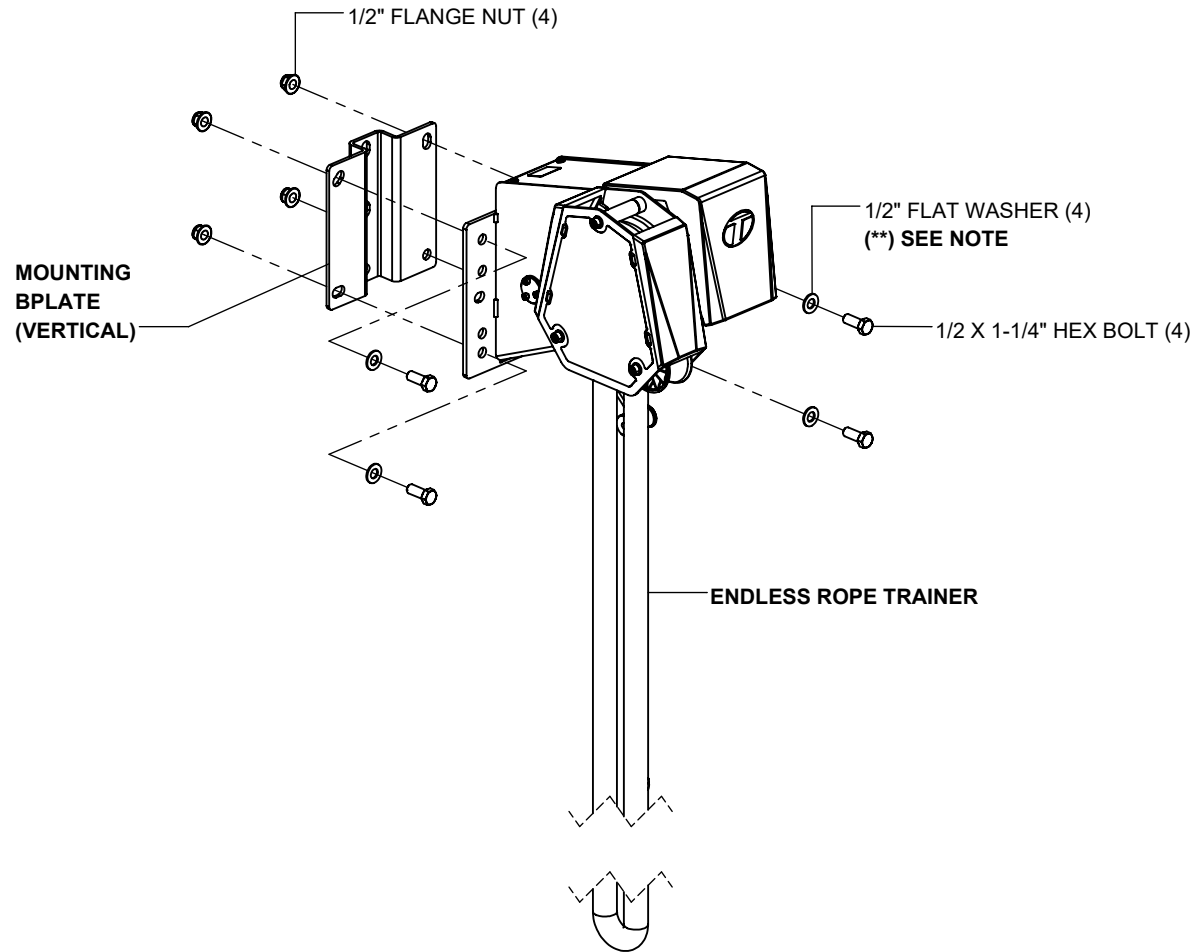
NOTES:

SECURELY tighten all bolt connections in this step.

(*) **HARDWARE COVERS** **CAN** be used in place of washers in this step. (SEE PAGE 3).



XERT ENDLESS ROPE TRAINER (VERTICAL MOUNT)



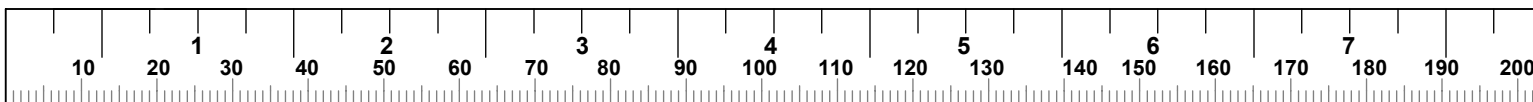
NOTES:

Some parts have been hidden for assembly clarity.

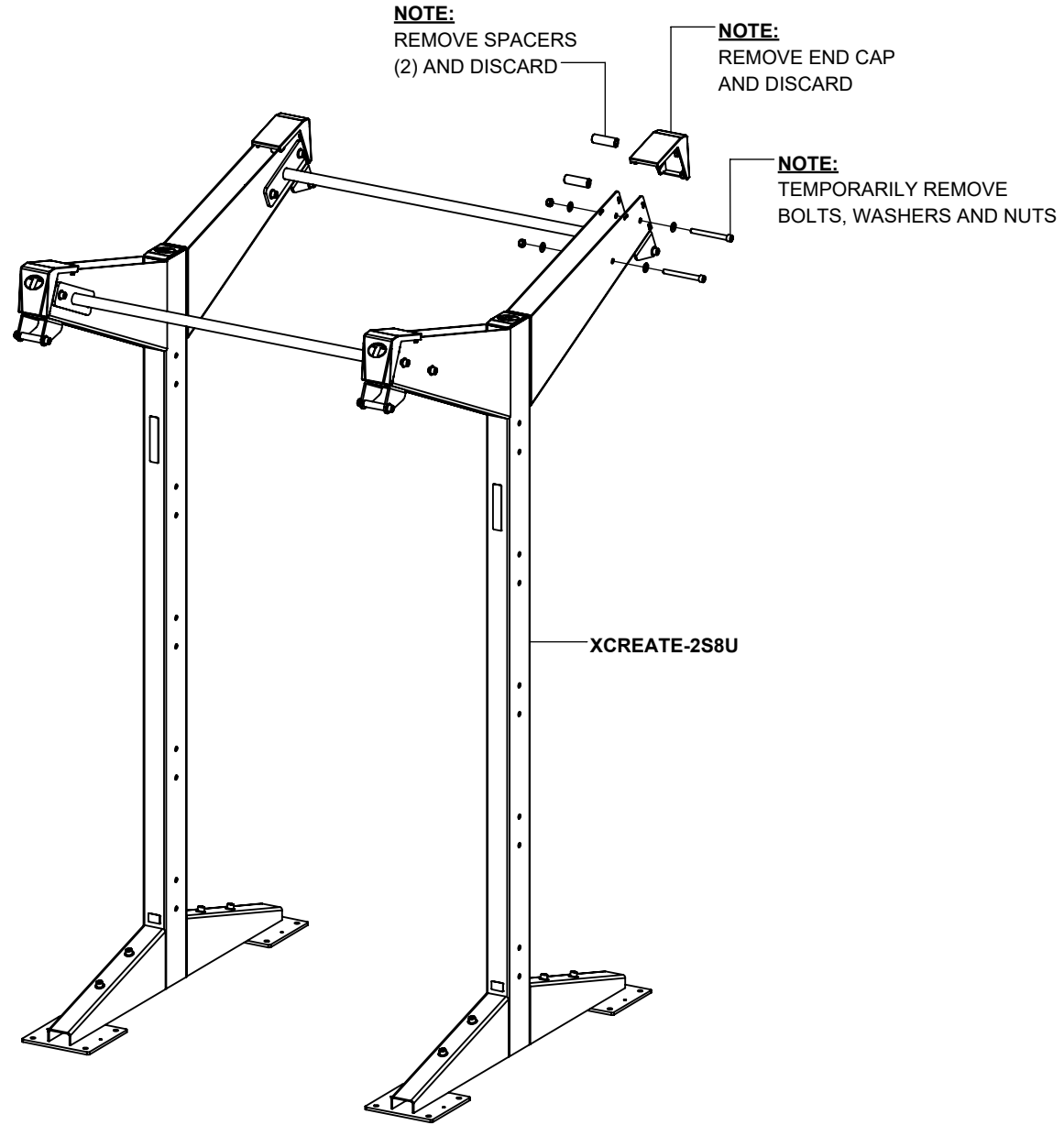
SECURELY tighten all bolt connections in this step.

(**) **HARDWARE COVERS CANNOT** be used in place of washers in this step.

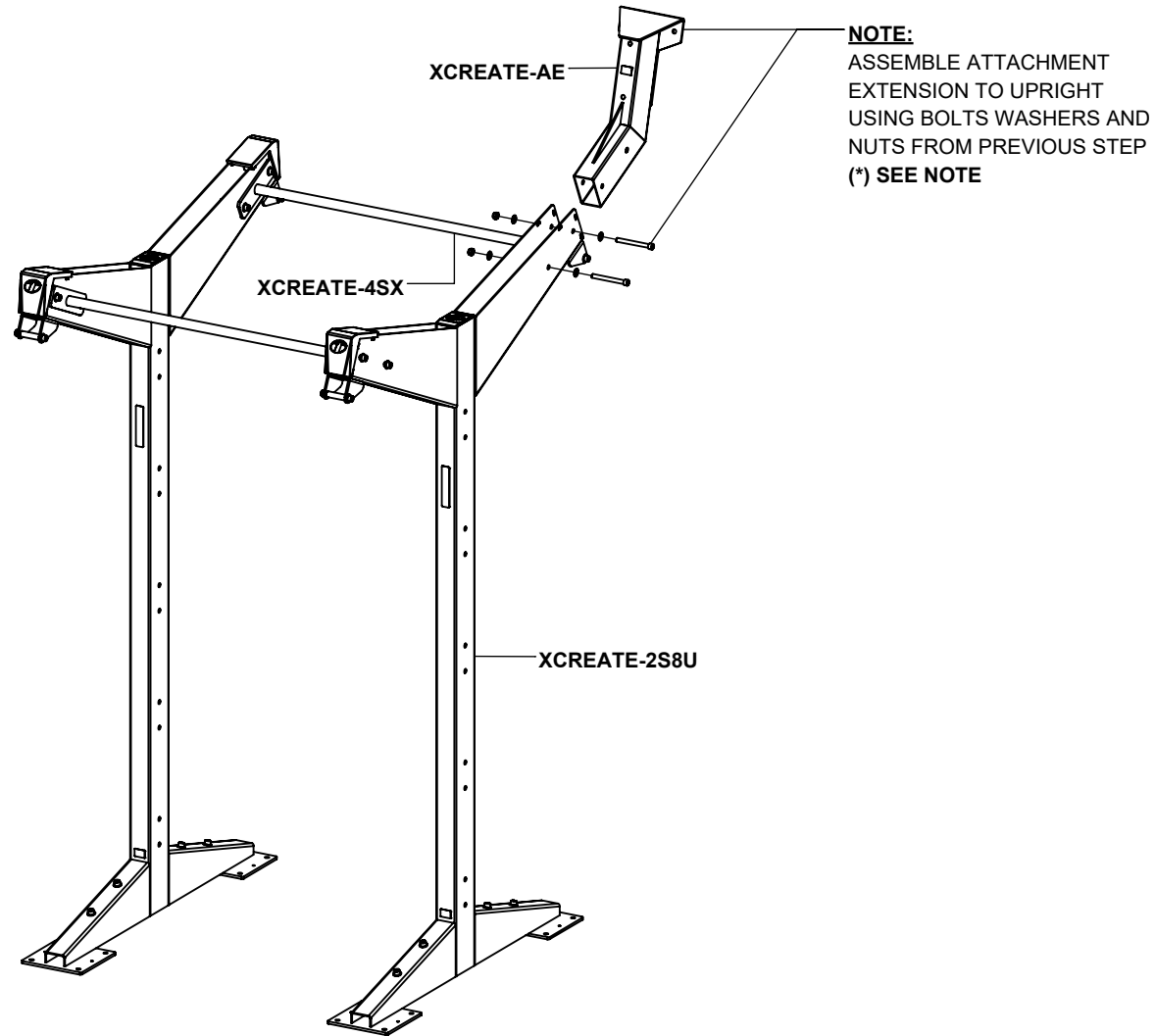
XCREATE has been hidden for assembly clarity.



**XERT
ENDLESS ROPE TRAINER (AE MOUNT)**



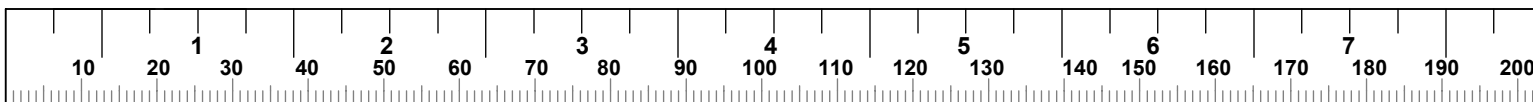
**XERT
ENDLESS ROPE TRAINER (AE MOUNT)**



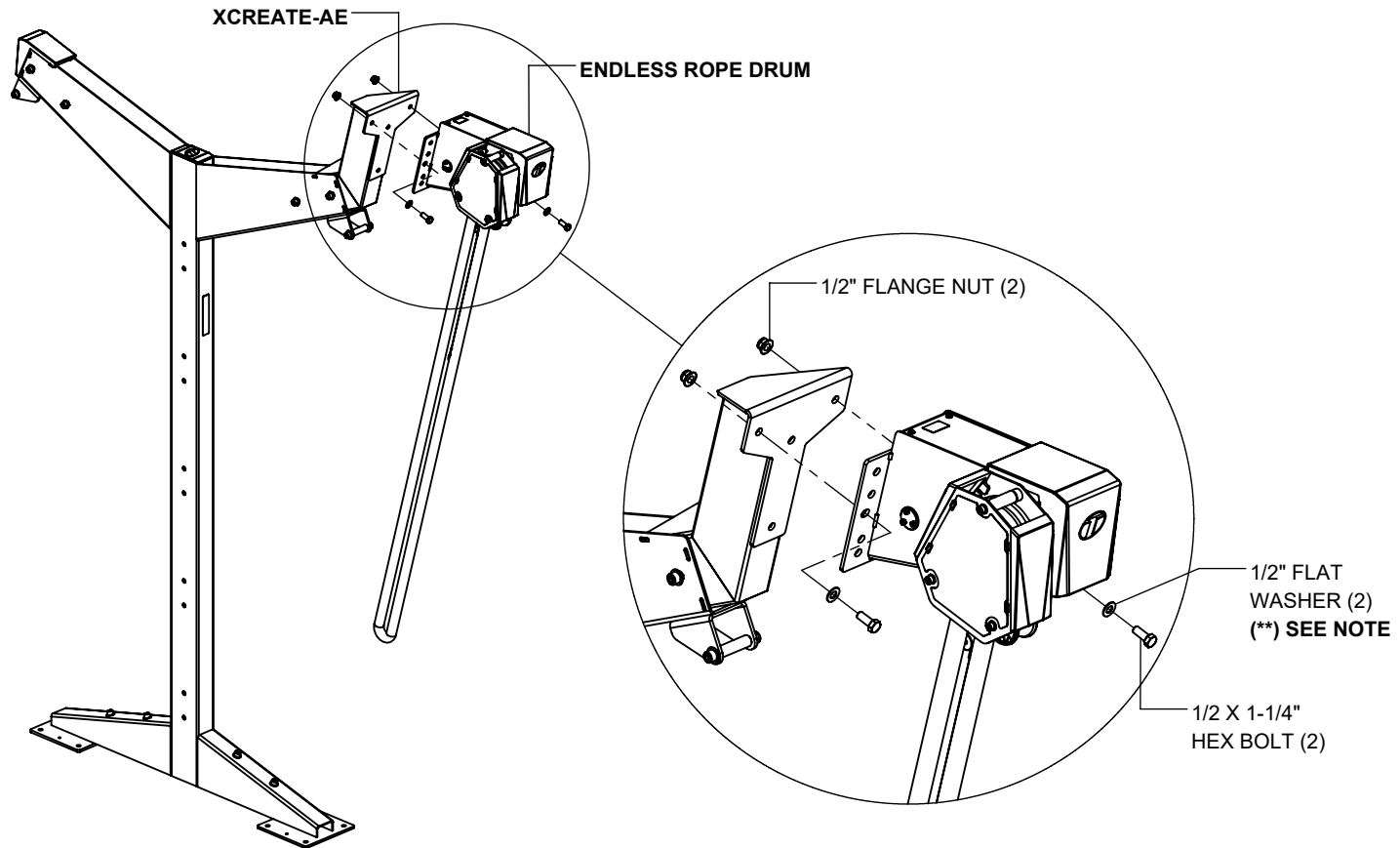
NOTES:

SECURELY assemble bolt connections in this step.

(*) **HARDWARE COVERS** **CAN** be used in place of washers in this step. (**SEE PAGE 3**).



**XERT
ENDLESS ROPE TRAINER (AE MOUNT)**

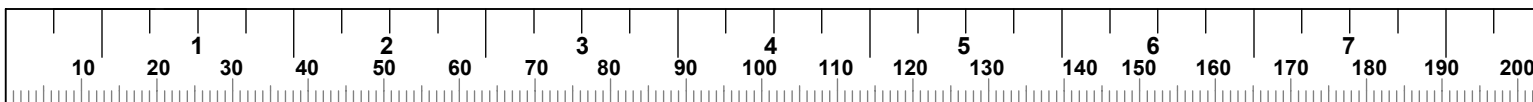


NOTES:

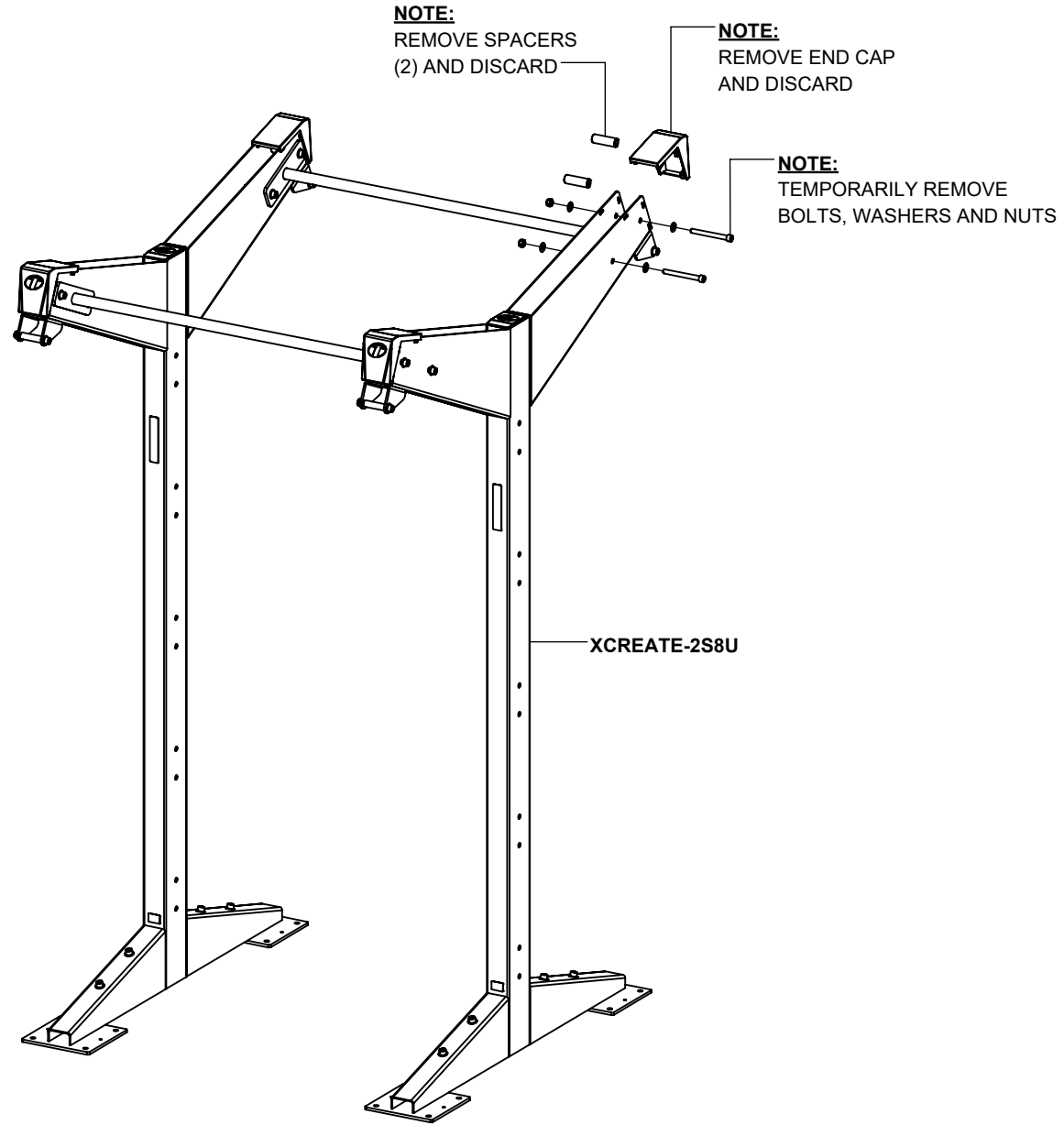
SECURELY assemble bolt connections in this step.

(**) **HARDWARE COVERS CANNOT** be used in place of washers in this step. (SEE PAGE 3).

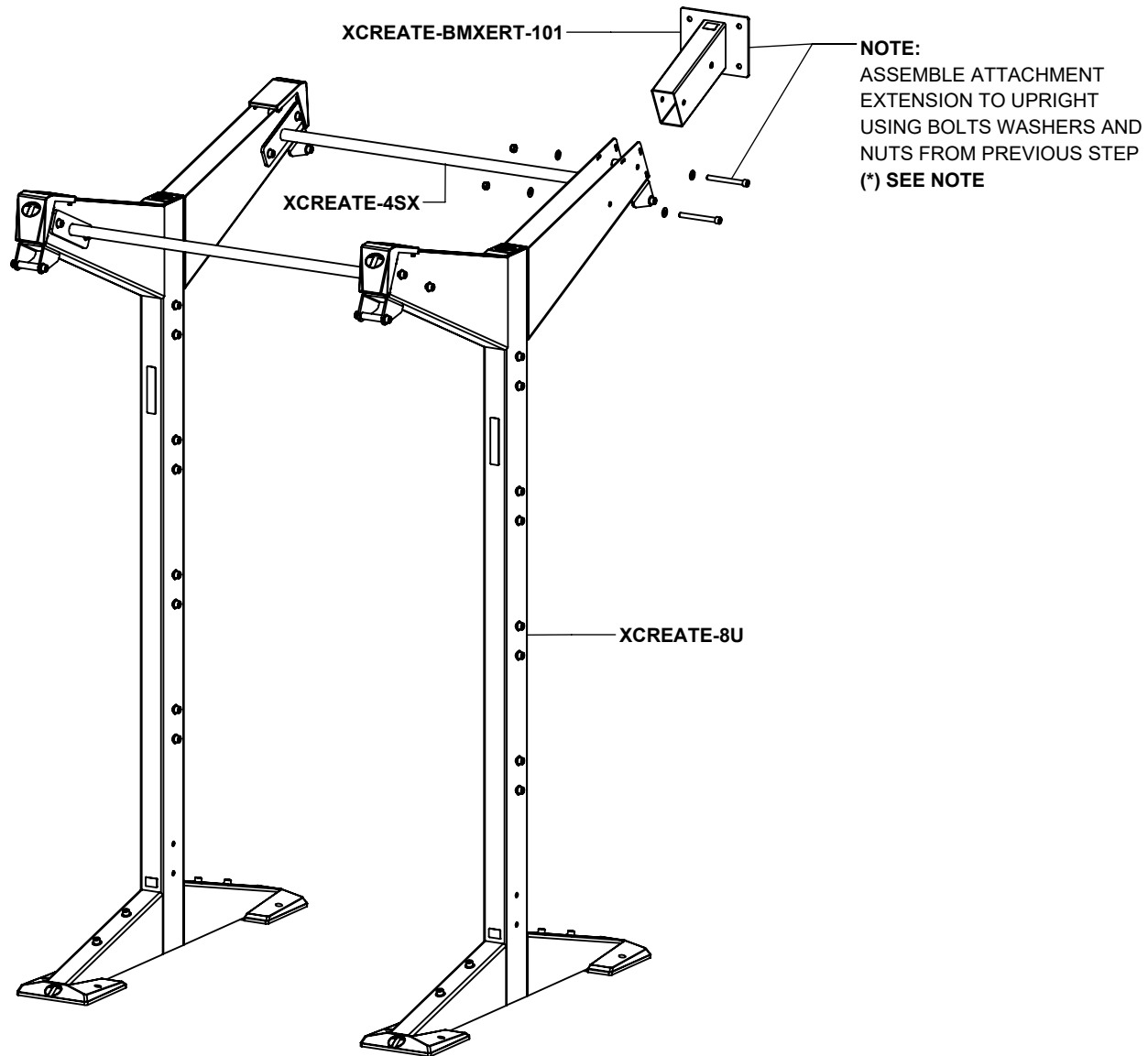
Some items have been hidden for assembly clarity.



**XCREATE
BOOM MOUNT**



XERT ENDLESS ROPE TRAINER (BOOM MOUNT)

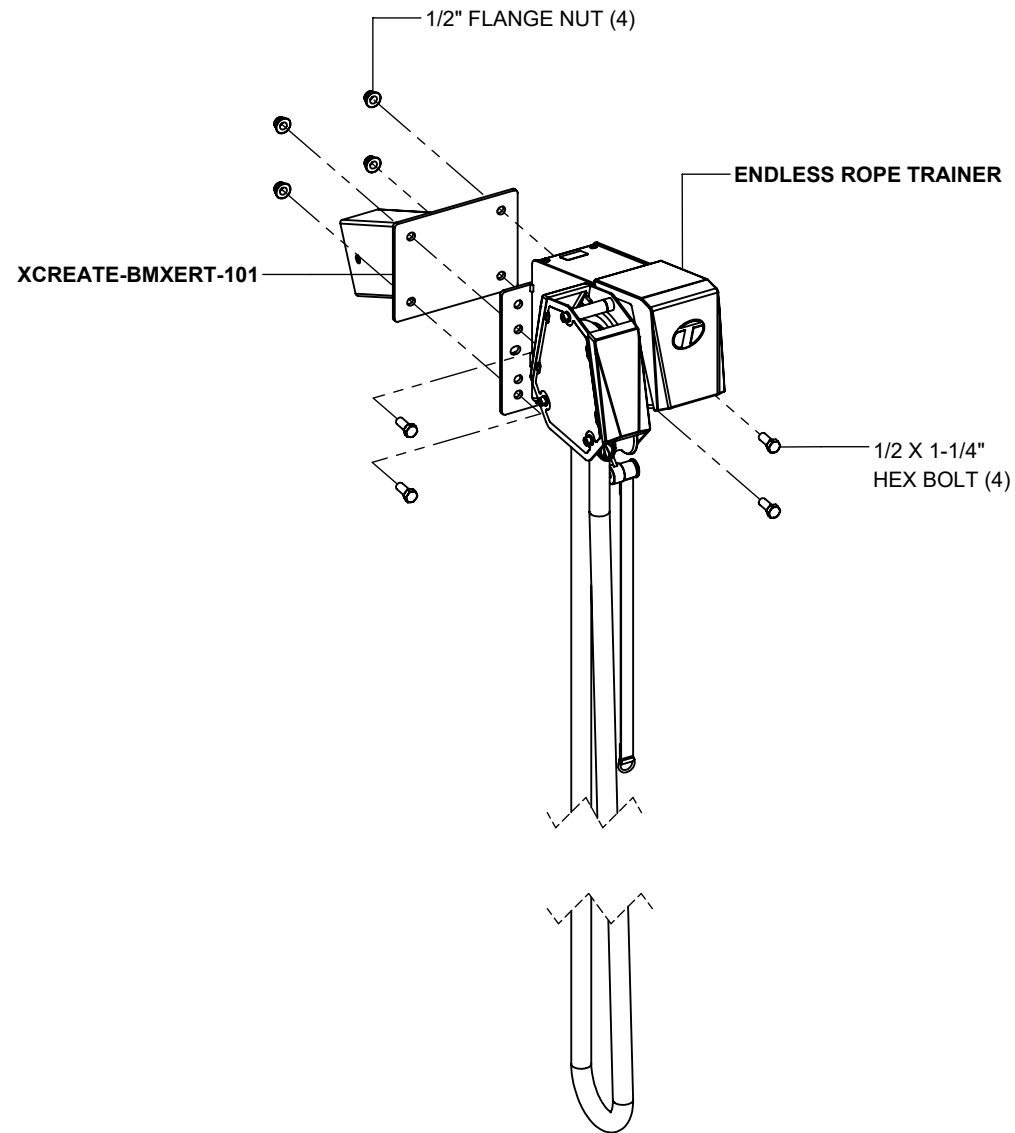


NOTE:

SECURELY tighten all bolt connections in this step.

(* **HARDWARE COVERS** **CAN** be used in place of washers in this step. (**SEE PAGE 3**)

XERT ENDLESS ROPE TRAINER (BOOM MOUNT)

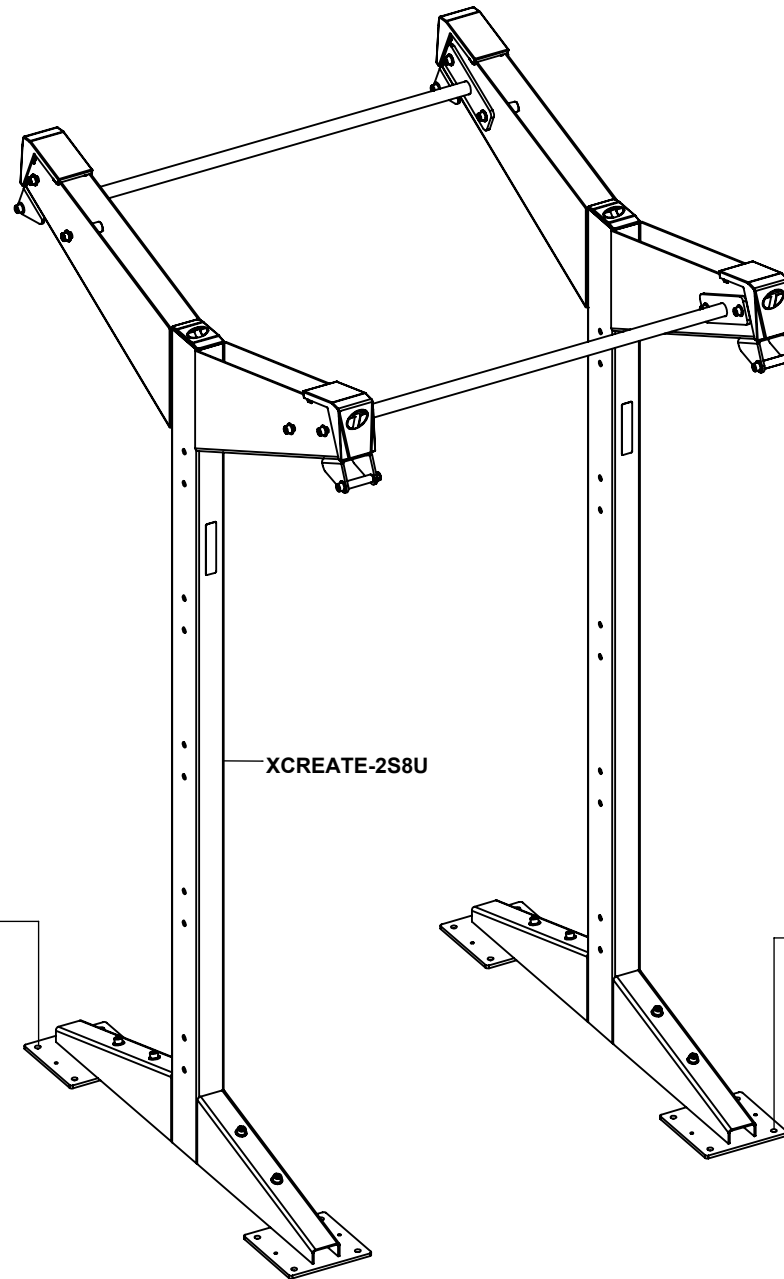


NOTE:

SECURELY tighten all bolt connections in this step.

(**) **HARDWARE COVERS CANNOT** be used in place of washers in this step.

XCREATE has been hidden for assembly clarity.



ANCHOR HOLES
ALL UPRIGHTS ARE TO
BE ANCHORED TO THE
FLOOR. (MINIMUM TWO
ANCHORS PER PLATE)

ANCHOR HOLES
ALL UPRIGHTS ARE TO
BE ANCHORED TO THE
FLOOR. (MINIMUM TWO
ANCHORS PER PLATE)

NOTES:

Make sure all bolts are **SECURELY** tighten.

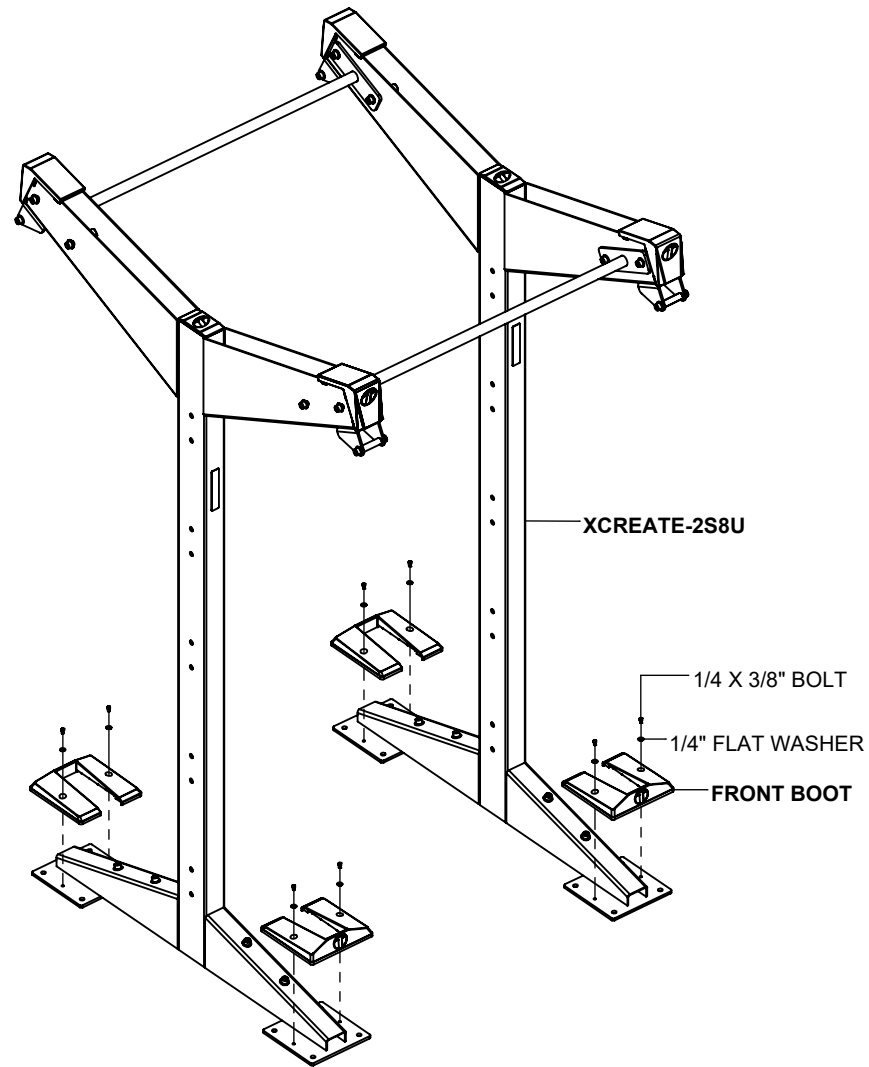
Position system to desired location in the room.

Anchor system to the floor referencing X-CREATE ANCHORING INSTRUCTIONS which can be downloaded at www.torquefitness.com/assembly-manuals

WARNING!

ALL X-CREATE ARE REQUIRED TO BE ANCHORED TO THE FLOOR TO PREVENT ROCKING OR TIPPING DURING USE.

URETHANE BOOTS



NOTES:

The URETHANE BOOTS and hardware are packaged with the upright boxes

SECURELY tighten bolt connections in this step.

Repeat this step for every upright.

