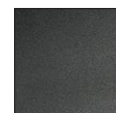




UPRIGHT COLOR OPTIONS



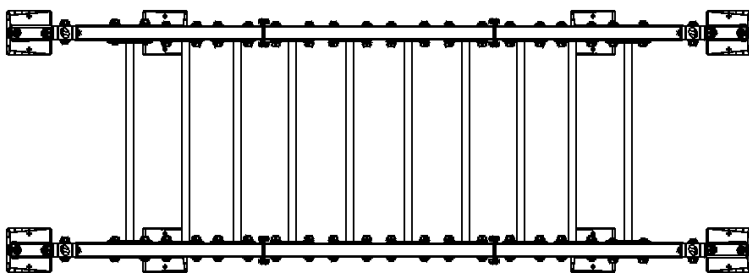
PLATINUM



SATIN BLACK

Model number	XCB-2M-13
Outside Bridge Footprint	54.3" x 154.3" (138 cm x 392 cm)
Inside Bridge Footprint	54.3" x 80.3" (138 cm x 204 cm)
Height	Frame 101.8" (259 cm)
Minimum Required Live Area	11.5' x 13.4' (3.5 m x 4.1 m)
Warranty	10 year frame and welds/1 year parts/90 days misc.

TOP VIEW



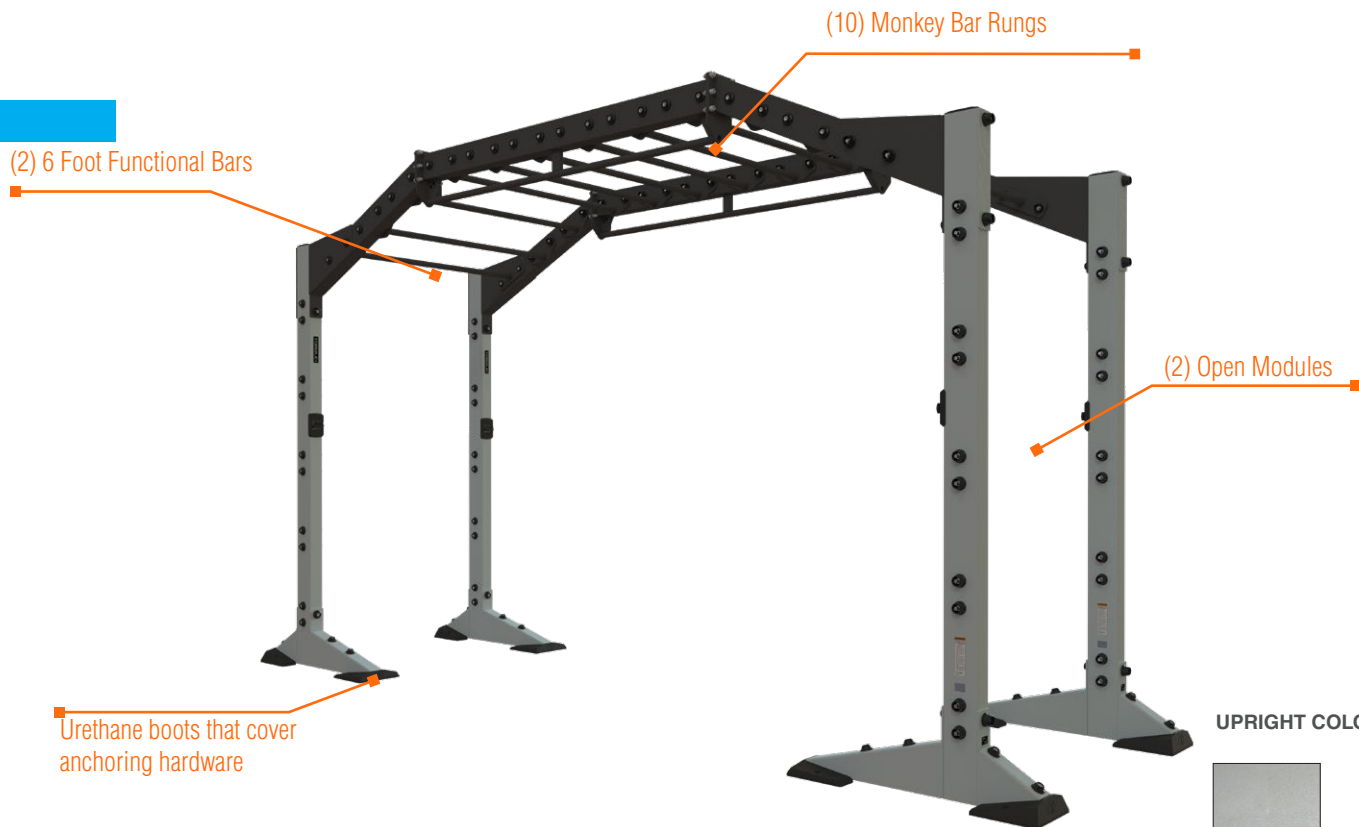
MODULE OPTIONS

- STORAGE MODULE
- BALL & HANGING STORAGE
- STALL BARS
- BALL TARGET WALL PAD
- MODULE EXTENSION

ATTACHMENT OPTIONS

- BALL TARGET
- BATTLE ROPE ANCHOR
- BALL & HANGING STORAGE EXTENSION
- GROUND ROTATIONAL TRAINER
- BAR/WEIGHT STORAGE
- DIP ATTACHMENT
- PLYO-STEP ATTACHMENT
- 3D HEAVY BAG SWIVEL
- RELENTLESS ROPE
- ROCK CLIMBING GRIPS
- MONKEY BARS

NOTE: X-Create systems are required to be bolted to a concrete sub-floor. Accessories shown sold separately.



UPRIGHT COLOR OPTIONS



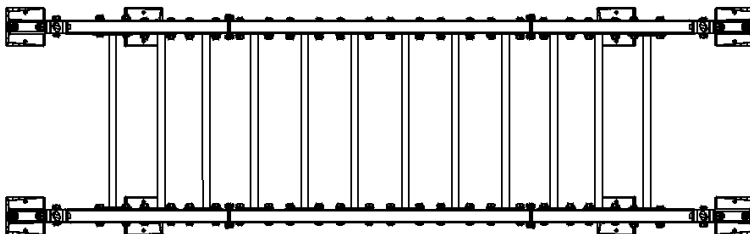
PLATINUM



SATIN BLACK

Model number	XCB-2M-15
Outside Bridge Footprint	54.3" x 178.3" (138 cm x 453 cm)
Inside Bridge Footprint	54.3" x 104.3" (138 cm x 265 cm)
Height	Frame 101.8" (259 cm)
Minimum Required Live Area	11.5' x 15.4' (3.5 m x 4.7 m)
Warranty	10 year frame and welds/1 year parts/90 days misc.

TOP VIEW



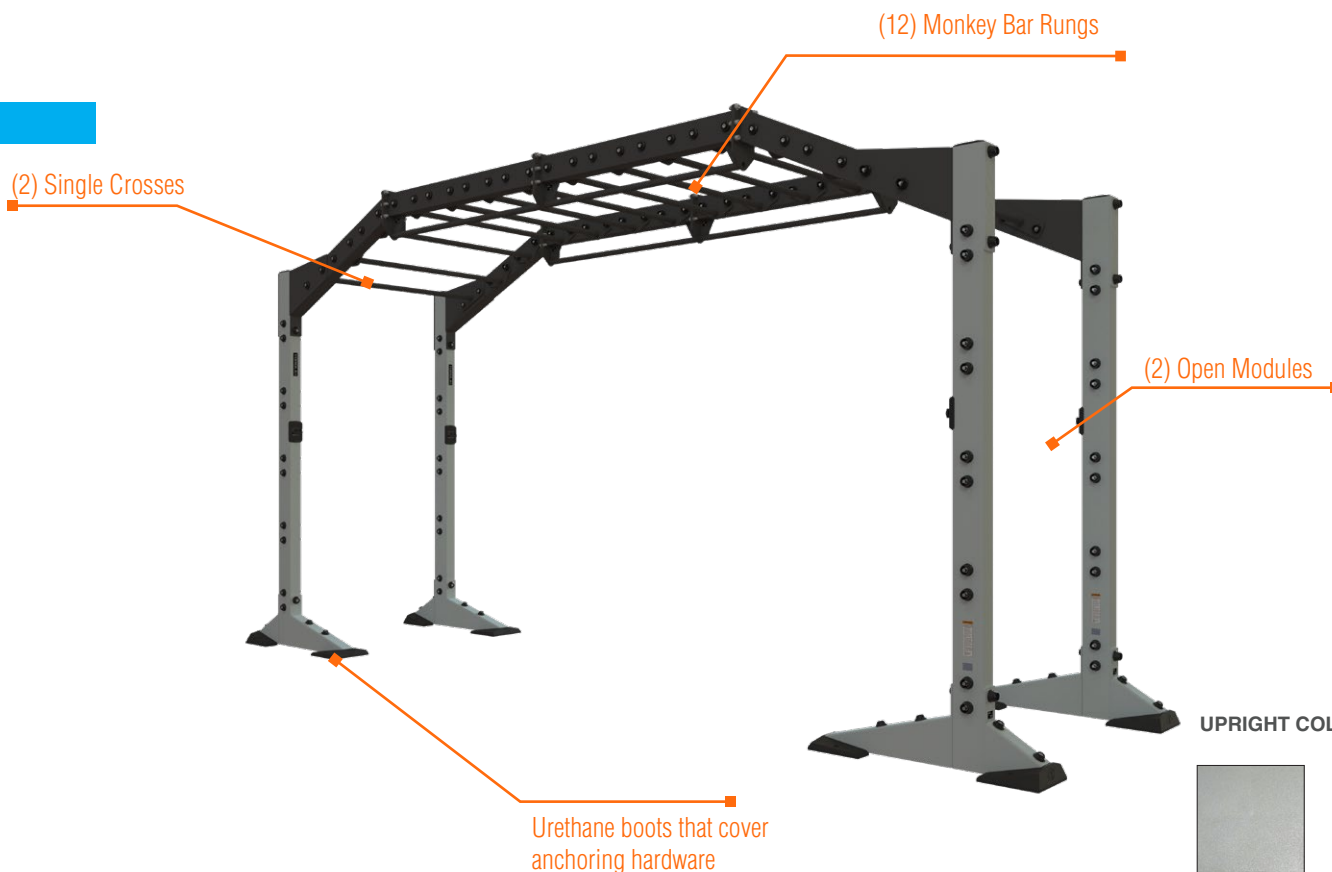
MODULE OPTIONS

- STORAGE MODULE
- BALL & HANGING STORAGE
- STALL BARS
- BALL TARGET WALL PAD
- MODULE EXTENSION

ATTACHMENT OPTIONS

- BALL TARGET
- BATTLE ROPE ANCHOR
- BALL & HANGING STORAGE
- EXTENSION
- GROUND ROTATIONAL TRAINER
- BAR/WEIGHT STORAGE
- DIP ATTACHMENT
- PLYO-STEP ATTACHMENT
- 3D HEAVY BAG SWIVEL
- RELENTLESS ROPE
- ROCK CLIMBING GRIPS
- MONKEY BARS

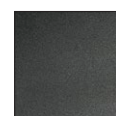
NOTE: X-Create systems are required to be bolted to a concrete sub-floor. Accessories shown sold separately.



UPRIGHT COLOR OPTIONS



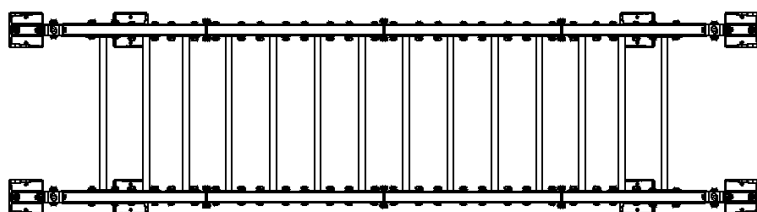
PLATINUM



SATIN BLACK

Model number	XCB-2M-17
Outside Bridge Footprint	54.3" x 202.3" (138 cm x 514 cm)
Inside Bridge Footprint	54.3" x 128.3" (138 cm x 326 cm)
Height	Frame 101.8" (259 cm)
Minimum Required Live Area	11.5' x 17.4' (3.5 m x 5.3 m)
Warranty	10 year frame and welds/1 year parts/90 days misc.

TOP VIEW



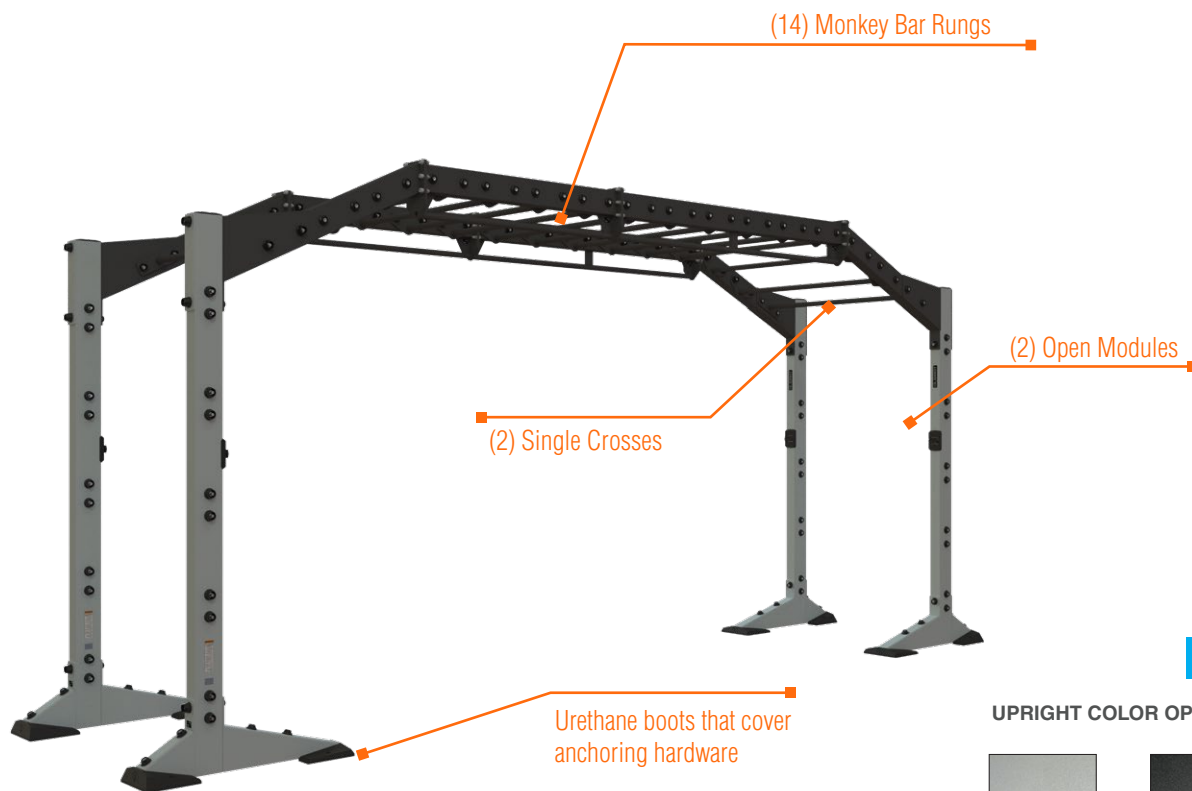
MODULE OPTIONS

- STORAGE MODULE
- BALL & HANGING STORAGE
- STALL BARS
- BALL TARGET WALL PAD
- MODULE EXTENSION

ATTACHMENT OPTIONS

- BALL TARGET
- BATTLE ROPE ANCHOR
- BALL & HANGING STORAGE EXTENSION
- GROUND ROTATIONAL TRAINER
- BAR/WEIGHT STORAGE
- DIP ATTACHMENT
- PLYO-STEP ATTACHMENT
- 3D HEAVY BAG SWIVEL
- RELENTLESS ROPE
- ROCK CLIMBING GRIPS
- MONKEY BARS

NOTE: X-Create systems are required to be bolted to a concrete sub-floor. Accessories shown sold separately.



UPRIGHT COLOR OPTIONS



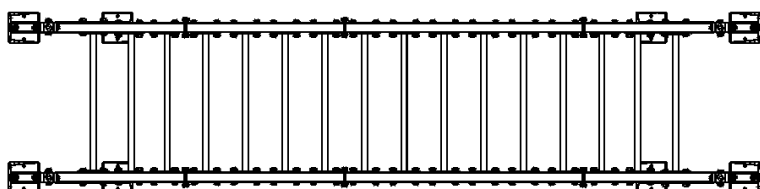
PLATINUM



SATIN BLACK

Model number	XCB-2M-19
Outside Bridge Footprint	54.3" x 226.4" (138 cm x 575 cm)
Inside Bridge Footprint	54.3" x 152.3" (138 cm x 387 cm)
Height	Frame 101.8" (259 cm)
Minimum Required Live Area	11.5' x 19.4' (3.5 m x 5.9 m)
Warranty	10 year frame and welds/1 year parts/90 days misc.

TOP VIEW



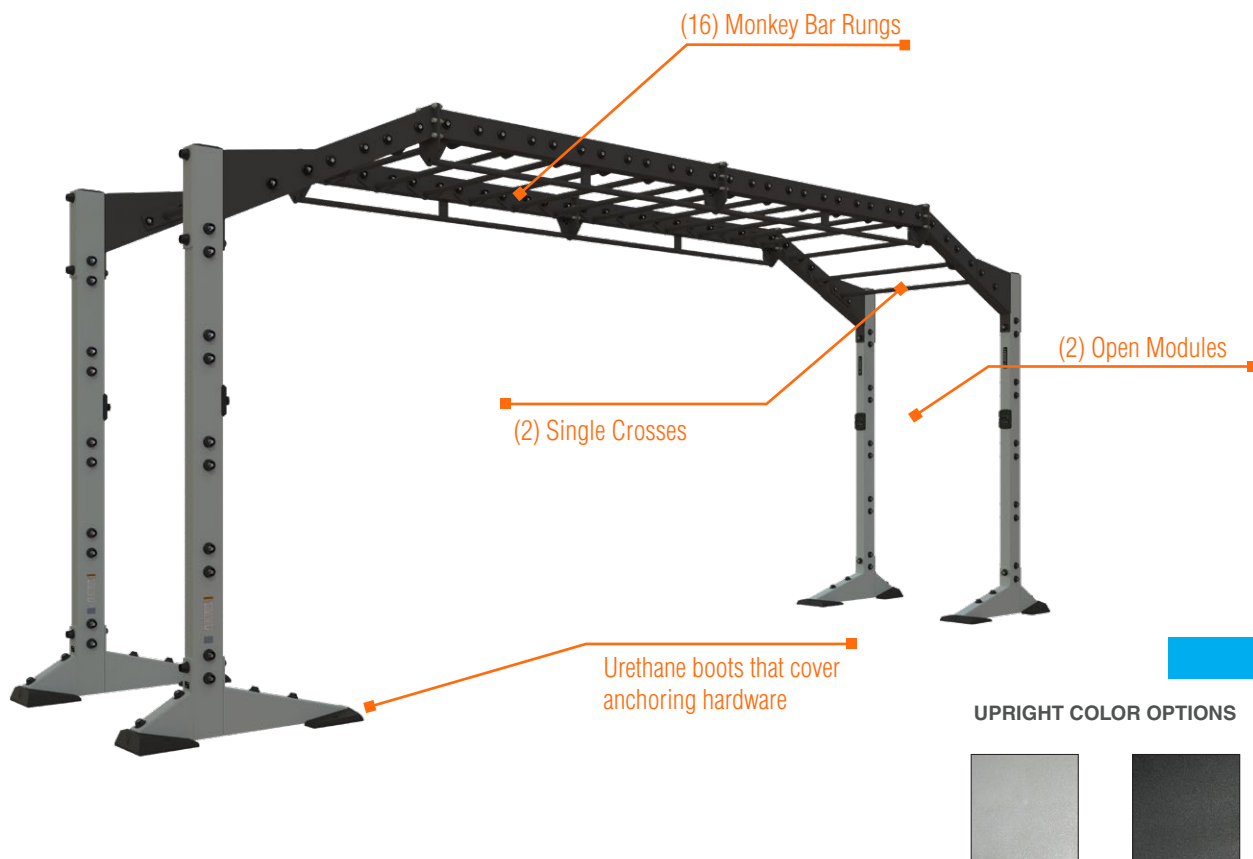
MODULE OPTIONS

- STORAGE MODULE
- BALL & HANGING STORAGE
- STALL BARS
- BALL TARGET WALL PAD
- MODULE EXTENSION

ATTACHMENT OPTIONS

- BALL TARGET
- BATTLE ROPE ANCHOR
- BALL & HANGING STORAGE EXTENSION
- GROUND ROTATIONAL TRAINER
- BAR/WEIGHT STORAGE
- DIP ATTACHMENT
- PLYO-STEP ATTACHMENT
- 3D HEAVY BAG SWIVEL
- RELENTLESS ROPE
- ROCK CLIMBING GRIPS
- MONKEY BARS

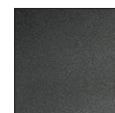
NOTE: X-Create systems are required to be bolted to a concrete sub-floor. Accessories shown sold separately.



UPRIGHT COLOR OPTIONS



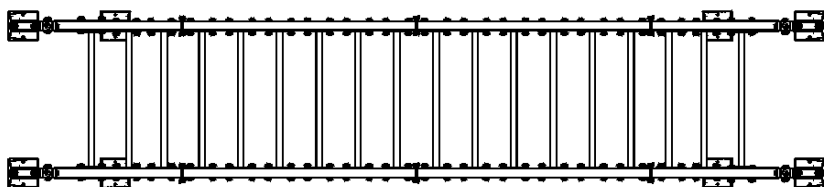
PLATINUM



SATIN BLACK

Model number	XCB-2M-21
Outside Bridge Footprint	54.3" x 250.4" (138 cm x 636 cm)
Inside Bridge Footprint	54.3" x 176.4" (138 cm x 448 cm)
Height	Frame 101.8" (259 cm)
Minimum Required Live Area	11.5' x 21.4' (3.5 m x 6.5 m)
Warranty	10 year frame and welds/1 year parts/90 days misc.

TOP VIEW



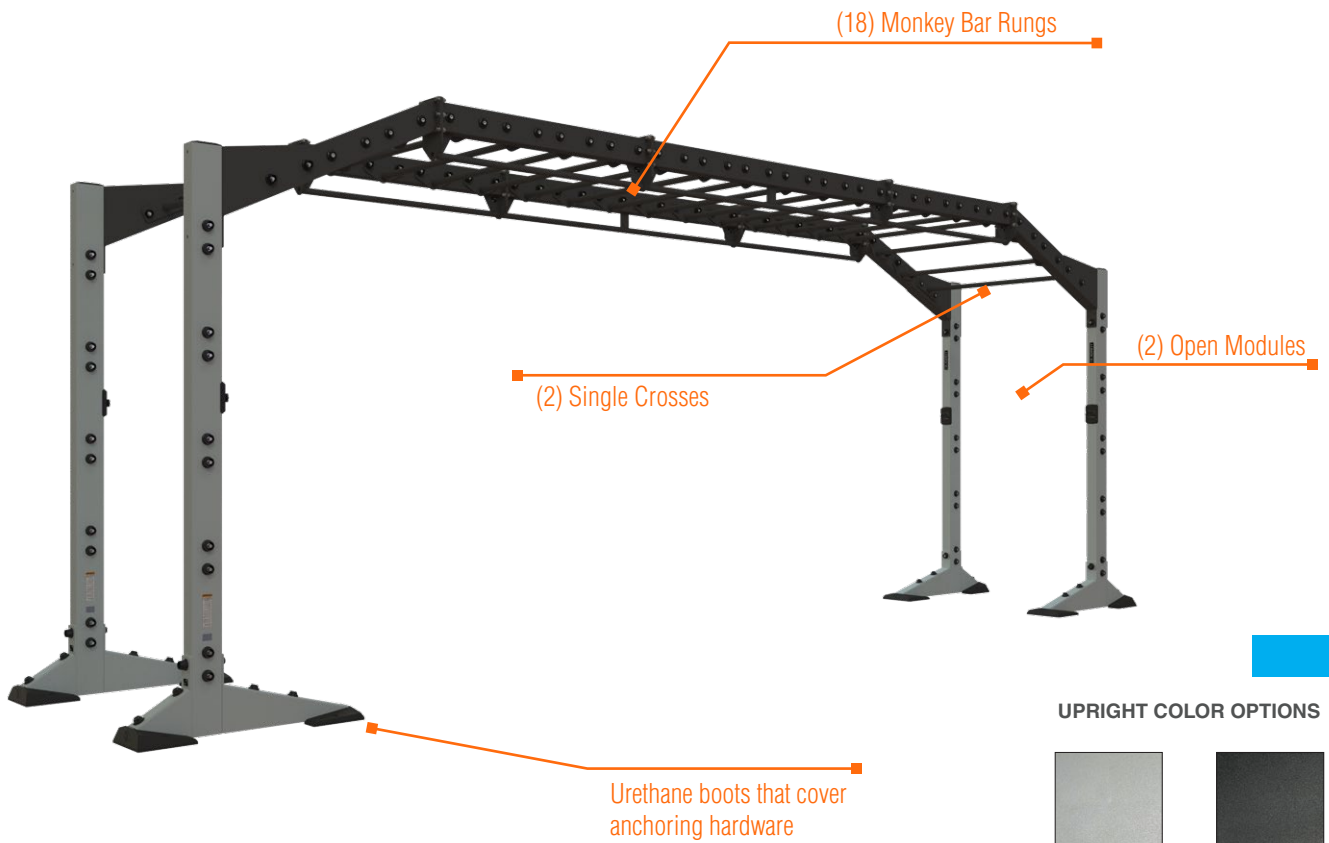
MODULE OPTIONS

- STORAGE MODULE
- BALL & HANGING STORAGE
- STALL BARS
- BALL TARGET WALL PAD
- MODULE EXTENSION

ATTACHMENT OPTIONS

- BALL TARGET
- BATTLE ROPE ANCHOR
- BALL & HANGING STORAGE EXTENSION
- GROUND ROTATIONAL TRAINER
- BAR/WEIGHT STORAGE
- DIP ATTACHMENT
- PLYO-STEP ATTACHMENT
- 3D HEAVY BAG SWIVEL
- RELENTLESS ROPE
- ROCK CLIMBING GRIPS
- MONKEY BARS

NOTE: X-Create systems are required to be bolted to a concrete sub-floor. Accessories shown sold separately.



UPRIGHT COLOR OPTIONS



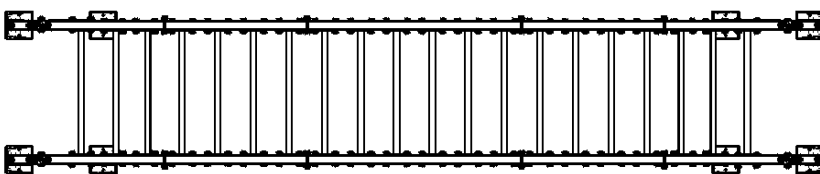
PLATINUM



SATIN BLACK

Model number	XCB-2M-23
Outside Bridge Footprint	54.3" x 274.4" (138 cm x 697 cm)
Inside Bridge Footprint	54.3" x 200.4" (138 cm x 509 cm)
Height	Frame 101.8" (259 cm)
Minimum Required Live Area	11.5' x 23.4' (3.5 m x 7.1 m)
Warranty	10 year frame and welds/1 year parts/90 days misc.

TOP VIEW



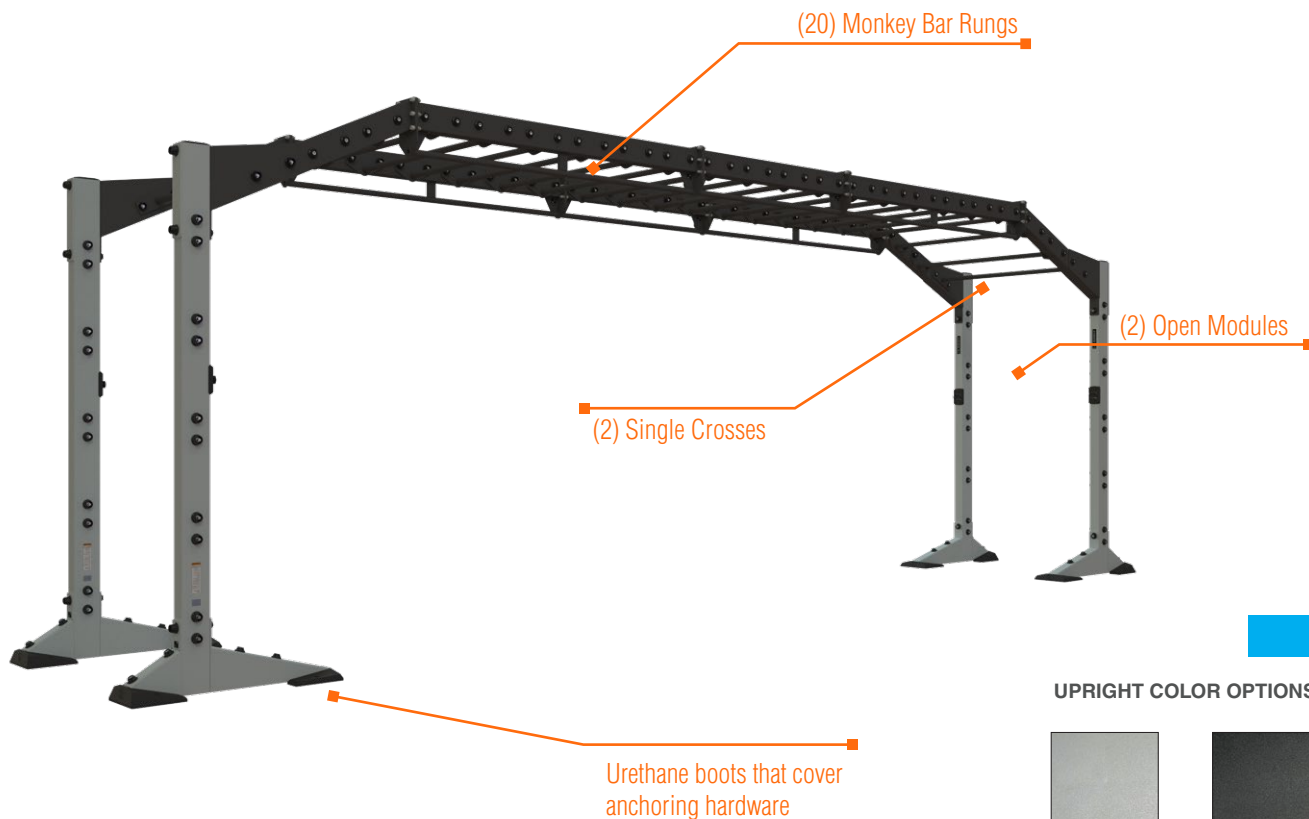
MODULE OPTIONS

- STORAGE MODULE
- BALL & HANGING STORAGE
- STALL BARS
- BALL TARGET WALL PAD
- MODULE EXTENSION

ATTACHMENT OPTIONS

- BALL TARGET
- BATTLE ROPE ANCHOR
- BALL & HANGING STORAGE EXTENSION
- GROUND ROTATIONAL TRAINER
- BAR/WEIGHT STORAGE
- DIP ATTACHMENT
- PLYO-STEP ATTACHMENT
- 3D HEAVY BAG SWIVEL
- RELENTLESS ROPE
- ROCK CLIMBING GRIPS
- MONKEY BARS

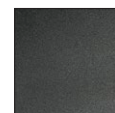
NOTE: X-Create systems are required to be bolted to a concrete sub-floor. Accessories shown sold separately.



UPRIGHT COLOR OPTIONS



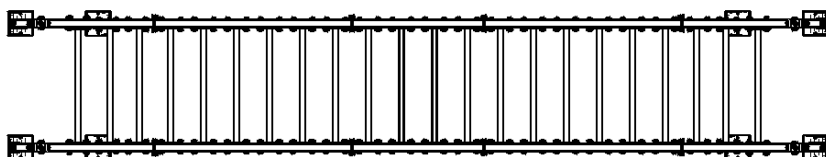
PLATINUM



SATIN BLACK

Model number	XCB-2M-25
Outside Bridge Footprint	54.3" x 298.4" (138 cm x 758 cm)
Inside Bridge Footprint	54.3" x 224.4" (138 cm x 570 cm)
Height	Frame 101.8" (259 cm)
Minimum Required Live Area	11.5' x 25.4' (3.5 m x 7.7 m)
Warranty	10 year frame and welds/1 year parts/90 days misc.

TOP VIEW



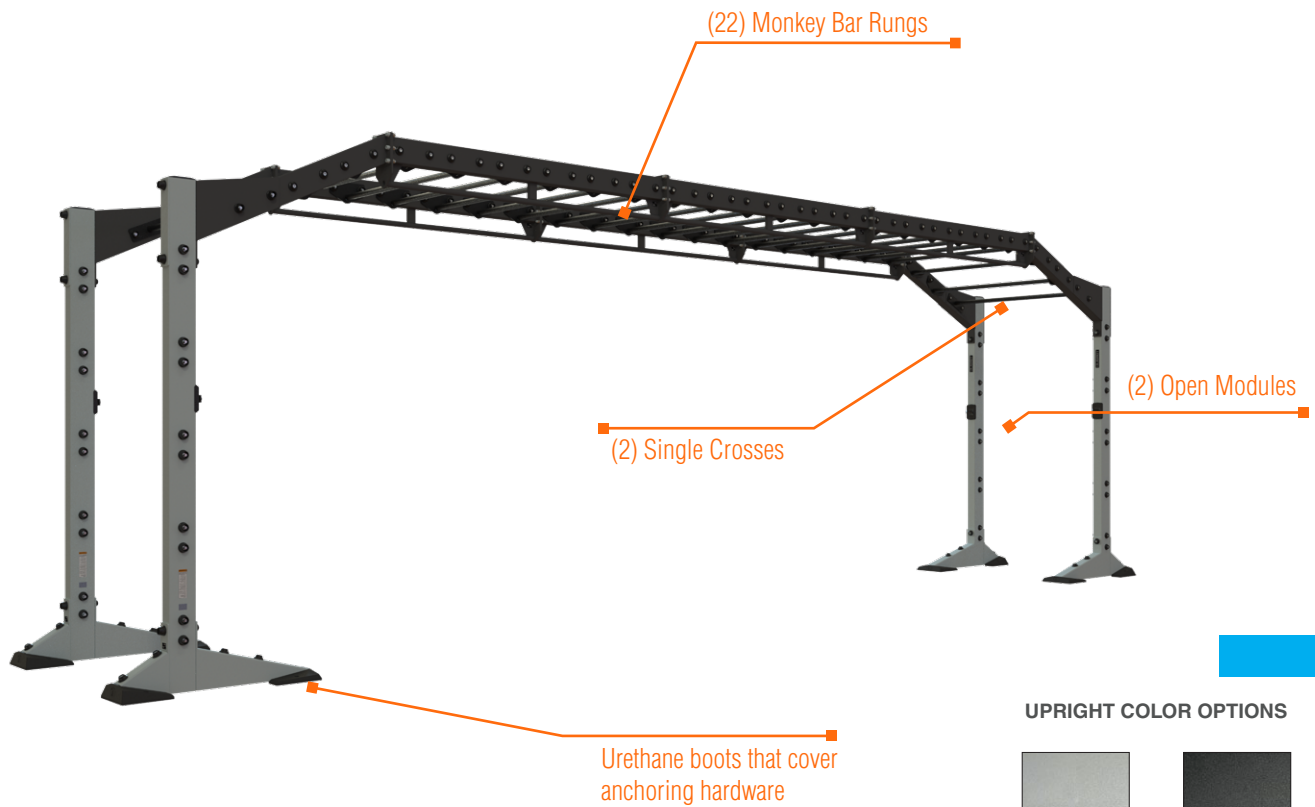
MODULE OPTIONS

- STORAGE MODULE
- BALL & HANGING STORAGE
- STALL BARS
- BALL TARGET WALL PAD
- MODULE EXTENSION

ATTACHMENT OPTIONS

- BALL TARGET
- BATTLE ROPE ANCHOR
- BALL & HANGING STORAGE EXTENSION
- GROUND ROTATIONAL TRAINER
- BAR/WEIGHT STORAGE
- DIP ATTACHMENT
- PLYO-STEP ATTACHMENT
- 3D HEAVY BAG SWIVEL
- RELENTLESS ROPE
- ROCK CLIMBING GRIPS
- MONKEY BARS

NOTE: X-Create systems are required to be bolted to a concrete sub-floor. Accessories shown sold separately.



UPRIGHT COLOR OPTIONS



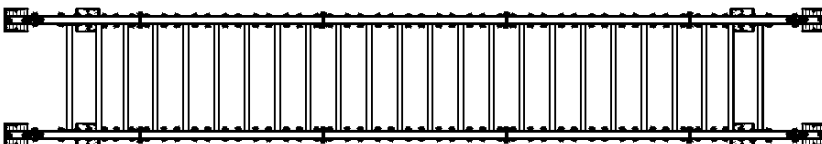
PLATINUM



SATIN BLACK

Model number	XCB-2M-27
Outside Bridge Footprint	54.3" x 322.4" (138 cm x 819 cm)
Inside Bridge Footprint	54.3" x 248.4" (138 cm x 631 cm)
Height	Frame 101.8" (259 cm)
Minimum Required Live Area	11.5' x 27.4' (3.5 m x 8.4 m)
Warranty	10 year frame and welds/1 year parts/90 days misc.

TOP VIEW



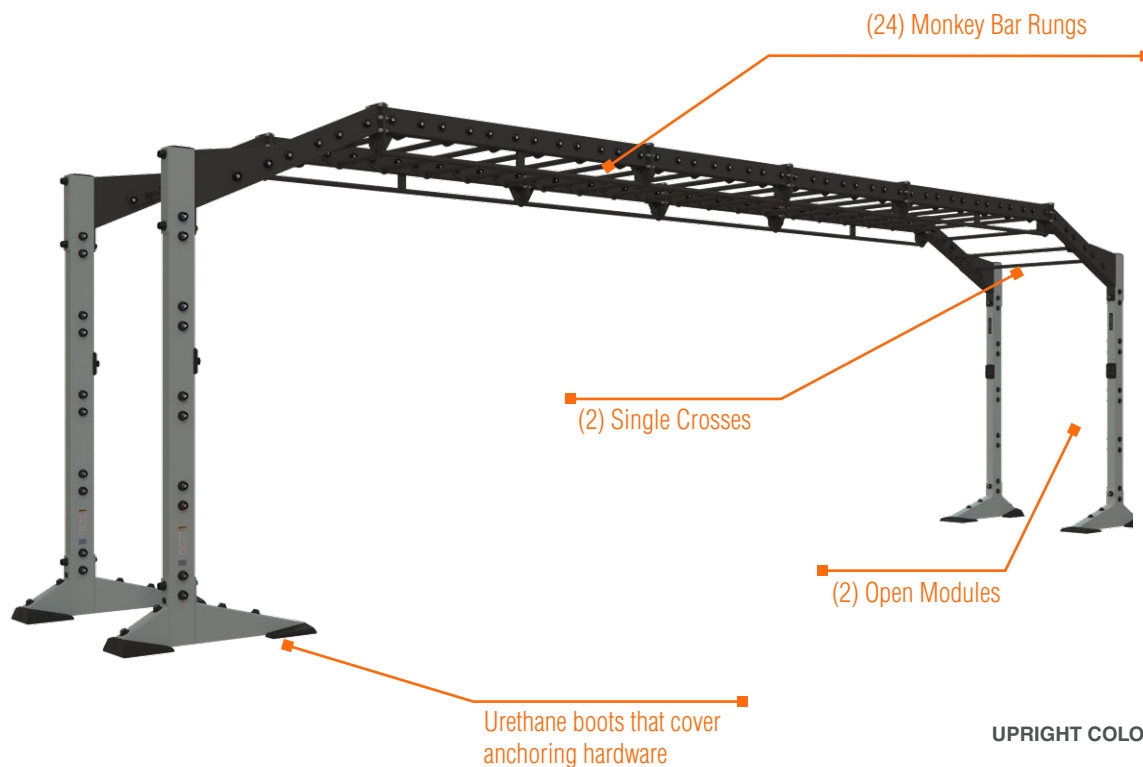
MODULE OPTIONS

- STORAGE MODULE
- BALL & HANGING STORAGE
- STALL BARS
- BALL TARGET WALL PAD
- MODULE EXTENSION

ATTACHMENT OPTIONS

- BALL TARGET
- BATTLE ROPE ANCHOR
- BALL & HANGING STORAGE EXTENSION
- GROUND ROTATIONAL TRAINER
- BAR/WEIGHT STORAGE
- DIP ATTACHMENT
- PLYO-STEP ATTACHMENT
- 3D HEAVY BAG SWIVEL
- RELENTLESS ROPE
- ROCK CLIMBING GRIPS
- MONKEY BARS

NOTE: X-Create systems are required to be bolted to a concrete sub-floor. Accessories shown sold separately.



UPRIGHT COLOR OPTIONS



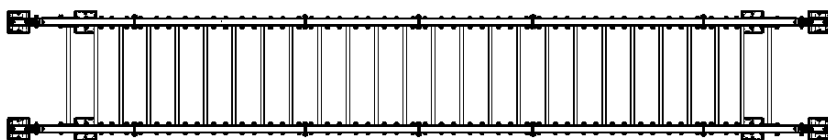
PLATINUM



SATIN BLACK

Model number	XCB-2M-29
Outside Bridge Footprint	54.3" x 346.4" (138 cm x 880 cm)
Inside Bridge Footprint	54.3" x 272.4" (138 cm x 692 cm)
Height	Frame 101.8" (259 cm)
Minimum Required Live Area	11.5' x 29.4' (3.5 m x 9.0 m)
Warranty	10 year frame and welds/1 year parts/90 days misc.

TOP VIEW



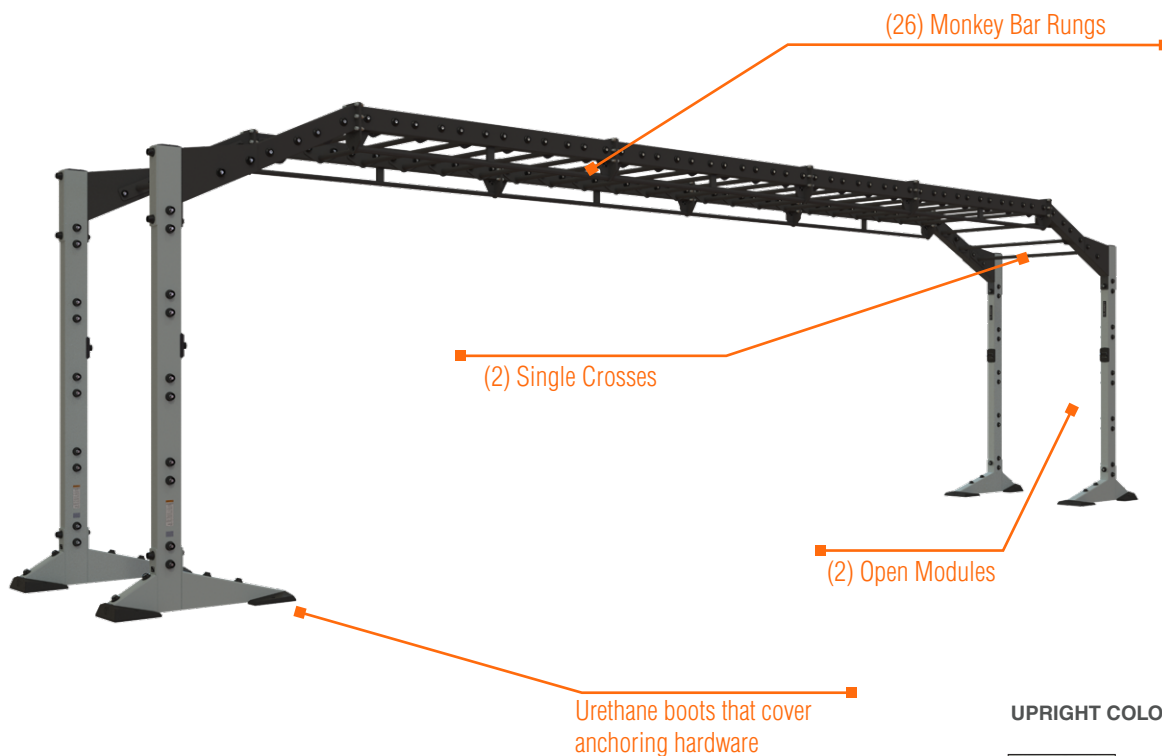
MODULE OPTIONS

- STORAGE MODULE
- BALL & HANGING STORAGE
- STALL BARS
- BALL TARGET WALL PAD
- MODULE EXTENSION

ATTACHMENT OPTIONS

- BALL TARGET
- BATTLE ROPE ANCHOR
- BALL & HANGING STORAGE EXTENSION
- GROUND ROTATIONAL TRAINER
- BAR/WEIGHT STORAGE
- DIP ATTACHMENT
- PLYO-STEP ATTACHMENT
- 3D HEAVY BAG SWIVEL
- RELENTLESS ROPE
- ROCK CLIMBING GRIPS
- MONKEY BARS

NOTE: X-Create systems are required to be bolted to a concrete sub-floor. Accessories shown sold separately.



UPRIGHT COLOR OPTIONS



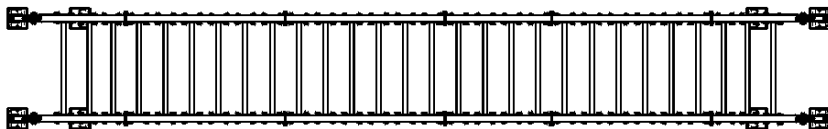
PLATINUM



SATIN BLACK

Model number	XCB-2M-31
Outside Bridge Footprint	54.3" x 370.4" (138 cm x 941 cm)
Inside Bridge Footprint	54.3" x 296.4" (138 cm x 753 cm)
Height	Frame 101.8" (259 cm)
Minimum Required Live Area	11.5' x 31.4' (3.5 m x 9.6 m)
Warranty	10 year frame and welds/1 year parts/90 days misc.

TOP VIEW



MODULE OPTIONS

- STORAGE MODULE
- BALL & HANGING STORAGE
- STALL BARS
- BALL TARGET WALL PAD
- MODULE EXTENSION

ATTACHMENT OPTIONS

- BALL TARGET
- BATTLE ROPE ANCHOR
- BALL & HANGING STORAGE EXTENSION
- GROUND ROTATIONAL TRAINER
- BAR/WEIGHT STORAGE
- DIP ATTACHMENT
- PLYO-STEP ATTACHMENT
- 3D HEAVY BAG SWIVEL
- RELENTLESS ROPE
- ROCK CLIMBING GRIPS
- MONKEY BARS

NOTE: X-Create systems are required to be bolted to a concrete sub-floor. Accessories shown sold separately.