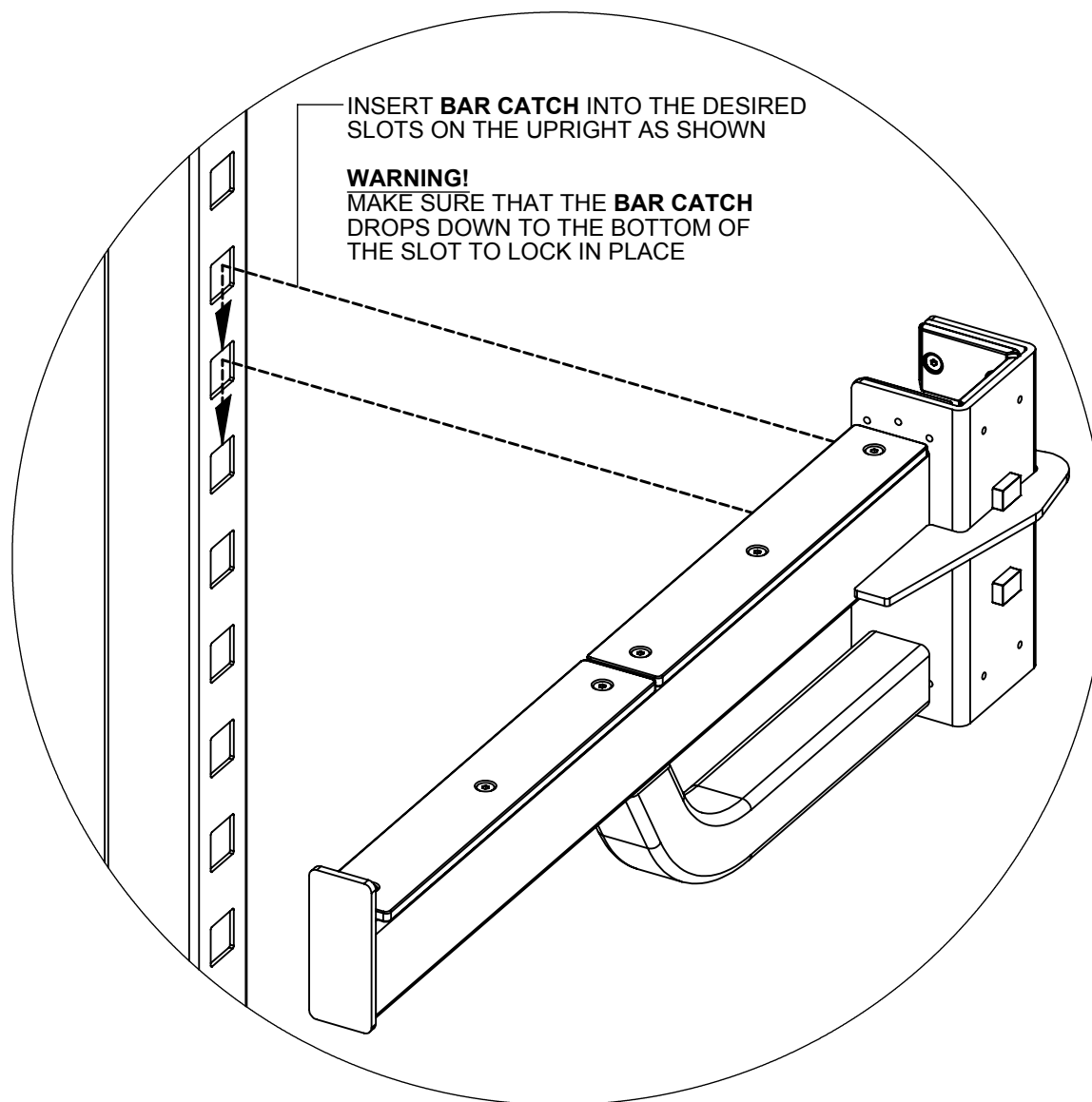




# ***BAR CATCH***

## ***Assembly Guide***

## **LEFT BAR CATCH ASSEMBLY**



## **RIGHT BAR CATCH ASSEMBLY**

