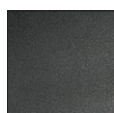




UPRIGHT COLOR OPTIONS



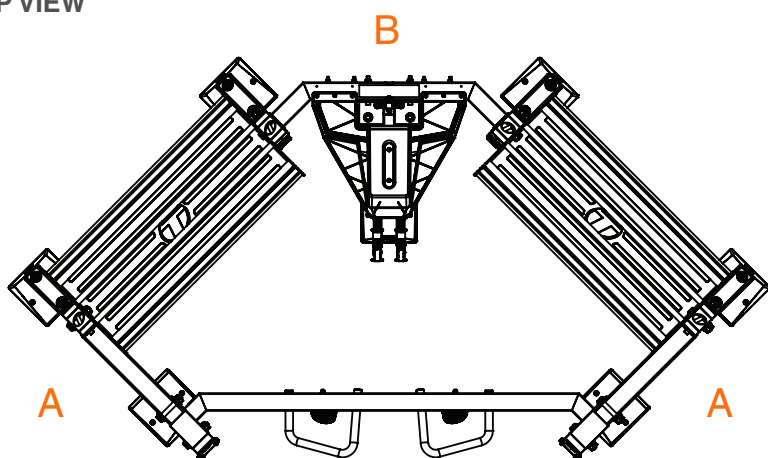
PLATINUM



SATIN BLACK

Model number	XCCSCC-2M
Footprint	66.9" x 126.6" (169.8 cm x 321.5 cm)
Height	Frame 95.8" (243.2 cm)
Warranty	10 year frame and welds/1 year parts/90 days misc.

TOP VIEW



ATTACHMENT OPTIONS

- BALL TARGET
- BATTLE ROPE ANCHOR
- BALL & HANGING STORAGE EXTENSION
- GROUND ROTATIONAL TRAINER
- VERTICAL DUMBBELL STORAGE
- DIP ATTACHMENT
- PLYO-STEP ATTACHMENT
- FOAM ROLLER STORAGE
- RELENTLESS ROPE
- RELENTLESS RIPPER
- BRIDGE BALL TARGET
- HANGING STORAGE HOOK
- BOSU STORAGE ATTACHMENT
- RESISTANCE BAND ATTACHMENT
- (A) CABLE COLUMN MODULE
- (B) CABLE COLUMN CORNER

NOTE: X-Create systems are required to be bolted to a concrete sub-floor.