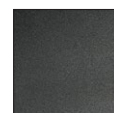




UPRIGHT COLOR OPTIONS



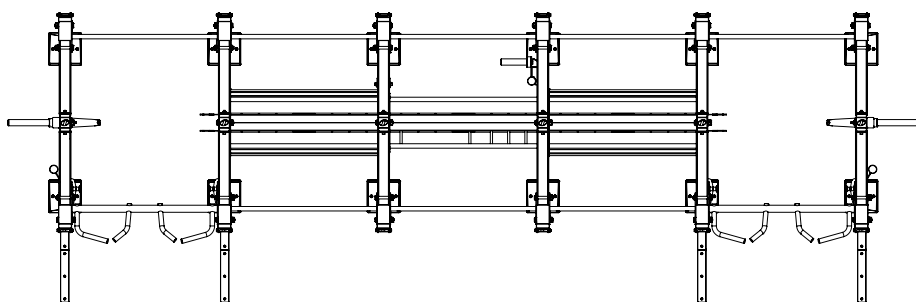
PLATINUM



SATIN BLACK

Model number	XCF2SC-5M-X1
Footprint	50.4" x 234.6" (128 cm x 596 cm)
Height	Frame 95.8" (243 cm)
Minimum Required Live Area	18.2' x 23.5' (5.6 m x 7.2 m)
Warranty	10 year frame and welds/1 year parts/90 days misc.

TOP VIEW



INCLUDED MODULES

- OLYMPIC LIFTING MODULE (2)
- ACCESSORY/ BUMPER BOOKSHELF STORAGE
- BALL & HANGING STORAGE

INCLUDED ATTACHMENTS/OPTIONS

- VERTICAL WEIGHT STORAGE
- VERTICAL DUMBBELL STORAGE (2)
- MULTI-GRIP CROSS (2)
- GROUND ROTATIONAL TRAINER
- DOUBLE PLAY
- X-RACK DOUBLE PLAY (2)
- BATTLE ROPE ANCHOR (2)
- HANGING STORAGE HOOK (2)
- RESISTANCE BAND ANCHOR (2)

NOTE: X-Create systems are required to be bolted to a concrete sub-floor. Accessories shown sold separately.