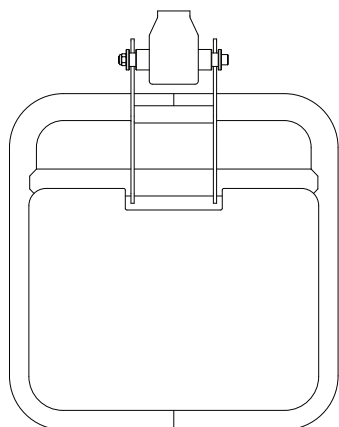


Attaches to the side of X-Create and X-Lab uprights. Includes attachment anchor and adjustable height plyo-step.



Model number	XCREATE-PSA
Assembled Dimensions	30.6" x 24.0" x 53.7" (77.8 cm x 61.0 cm x 136.4 cm)
Weight	75.5 lb (34.2 kg)
Compatibility	X-Create and X-Lab uprights
Warranty	10 year frame and welds/1 year parts/90 days misc.

### TOP VIEW



### NOTE

- MOUNTS TO X-CREATE UPRIGHTS