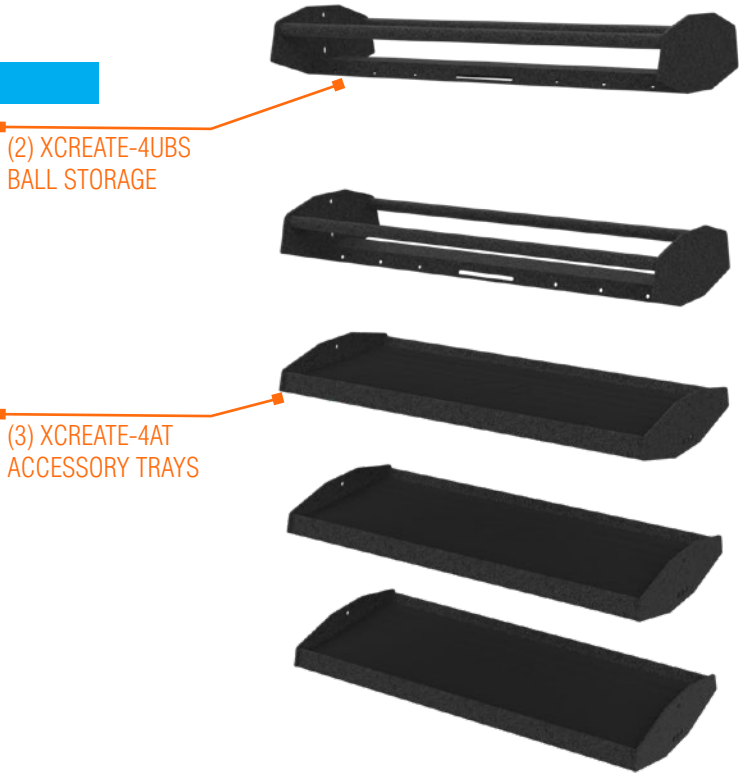


X-CREATE MODULES



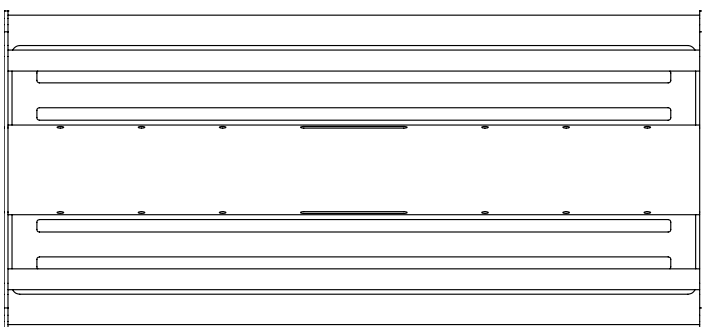
(2) XCREATE-4UBS
BALL STORAGE

(3) XCREATE-4AT
ACCESSORY TRAYS



Model number	XCREATE-4ASM
Assembled Dimensions	71.9" x 42.1" x 19.1" (183 cm x 107 cm x 49 cm)
Weight	172 lb (78 kg)
Compatibility	X-Create Module Space
Warranty	10 year frame and welds/1 year parts/90 days misc.

TOP VIEW





(1) 4 ft (1.2 M) Universal Ball Storage Component.



(3) heavy duty trays with 3/8 inch (9 mm) thick mat.

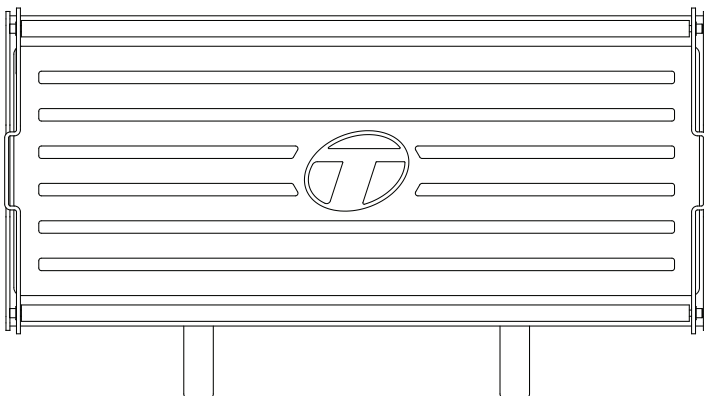


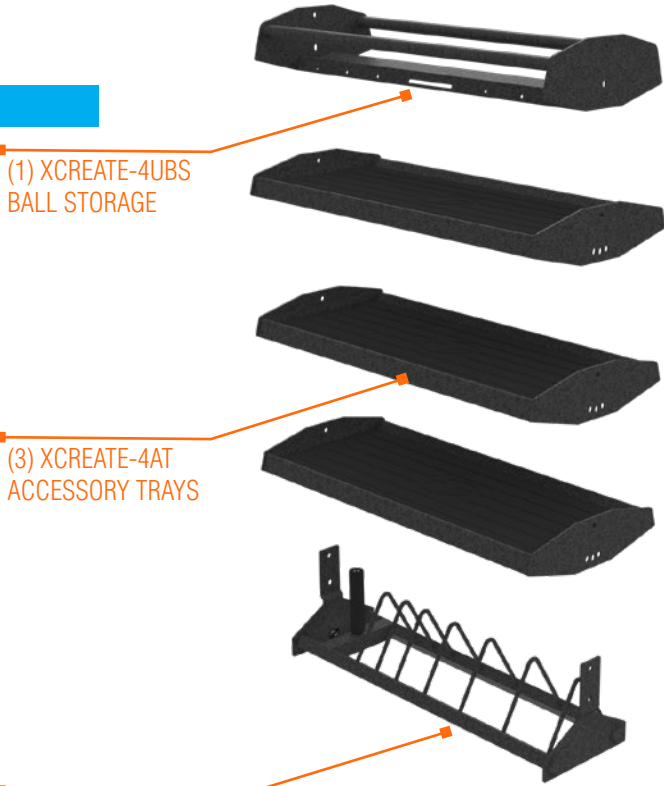
Horizontal Weight Storage with two nylon covered solid steel weight horns that are 11.7 in (30 cm) long.

17.3 in (44 cm) deep trays can hold up to 100 lb hex head dumbbells and trays can be mounted at an angle or flat.

Model number	XCREATE-4AWSM
Assembled Dimensions	69.1" x 42.9" x 23.4" (176 cm x 109 cm x 60 cm)
Weight	164 lb (74.3 kg)
Compatibility	X-Create Module Space
Warranty	10 year frame and welds/1 year parts/90 days misc.

TOP VIEW





(1) XCREATE-4UBS
BALL STORAGE

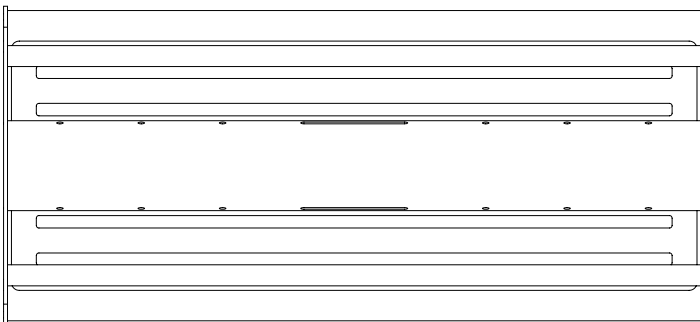
(3) XCREATE-4AT
ACCESSORY TRAYS

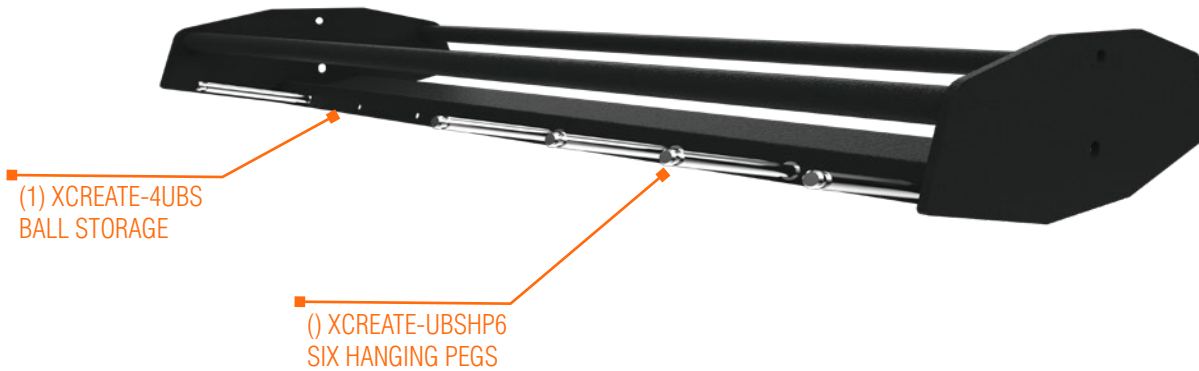
(1) XCREATE-4BBS
BUMPER STORAGE



Model number	XCREATE-4ABBSM
Assembled Dimensions	75.4" x 42.1" x 19.1" (191 cm x 107 cm x 49 cm)
Weight	185 lb (83 kg)
Compatibility	X-Create Module Space
Warranty	10 year frame and welds/1 year parts/90 days misc.

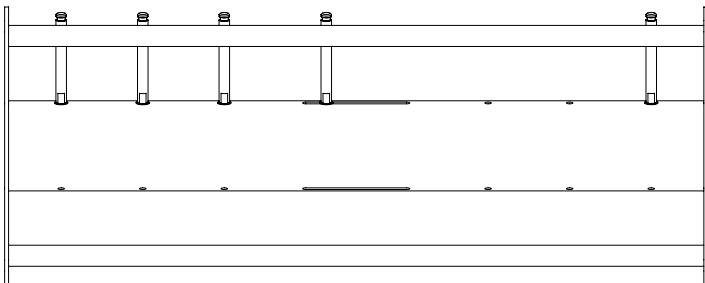
TOP VIEW

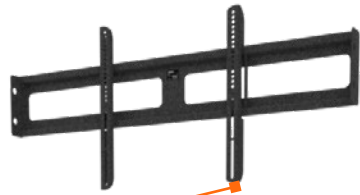




Model number	XCREATE-4UBHS
Assembled Dimensions	41.1" x 16.6" x 6.6" (107 cm x 42 cm x 17 cm)
Weight	30 lb (13 kg)
Compatibility	X-Create Module Space
Warranty	10 year frame and welds/1 year parts/90 days misc.

TOP VIEW





(1) XCREATE-4MM Monitor Mount



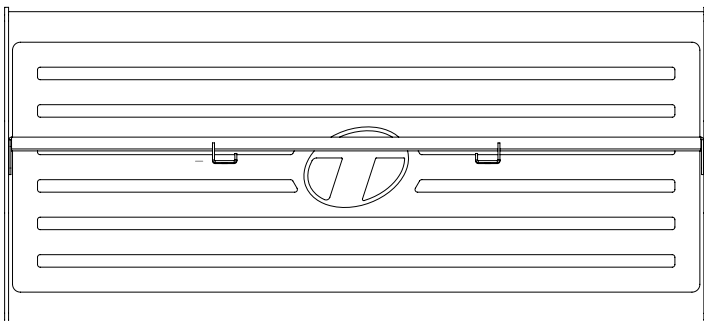
(3) XCREATE-4AT Trays



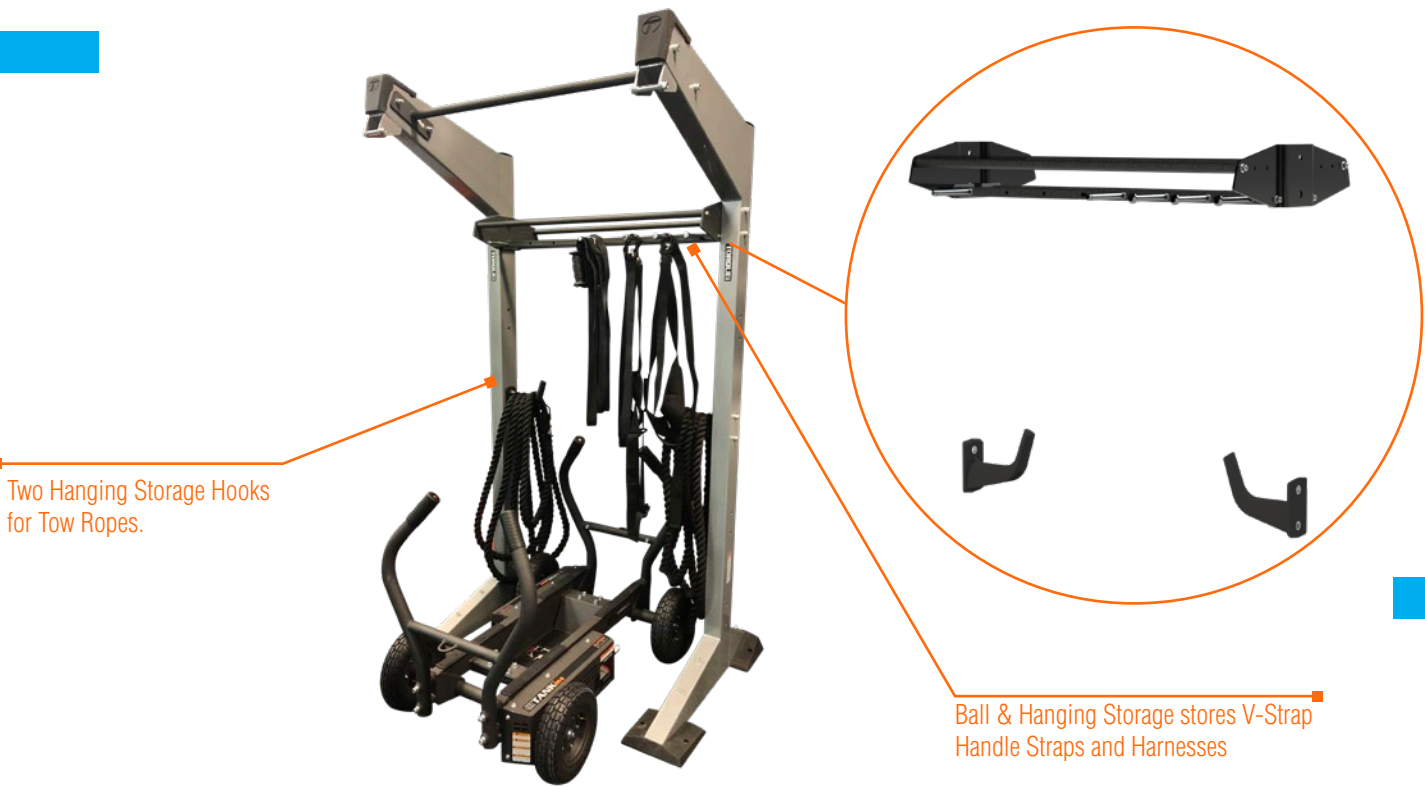
Monitor mount can be attached at the top with three trays below or at eye level with one tray above and two below.

Model number	XCREATE-4MMSM
Assembled Dimensions	73.6" x 42.9" x 19.5" (187 cm x 109 cm x 50 cm)
Weight	128 lb (58 kg)
Compatibility	X-Create Module Space
Warranty	10 year frame and welds/1 year parts/90 days misc.

TOP VIEW



NOTE: Monitor mount is designed to VESA standard and is compatible with most flat screens up to 43 inch. Maximum monitor width must be less than 42.9 inches.

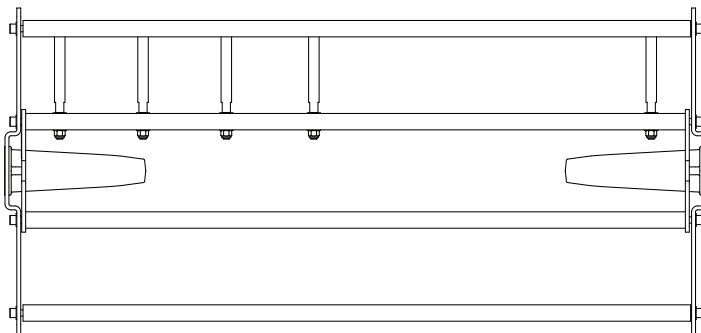


Two Hanging Storage Hooks for Tow Ropes.

Ball & Hanging Storage stores V-Strap Handle Straps and Harnesses

Model number	XCREATE-4TDM
Assembled Dimensions	37.5" x 42.2" x 19.6" (95 cm x 107 cm x 50 cm)
Weight	27.2 lb (12.3 kg)
Compatibility	X-Create Module Space
Warranty	10 year frame and welds/1 year parts/90 days misc.

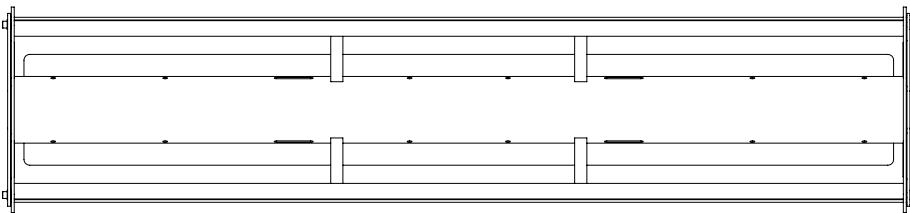
TOP VIEW

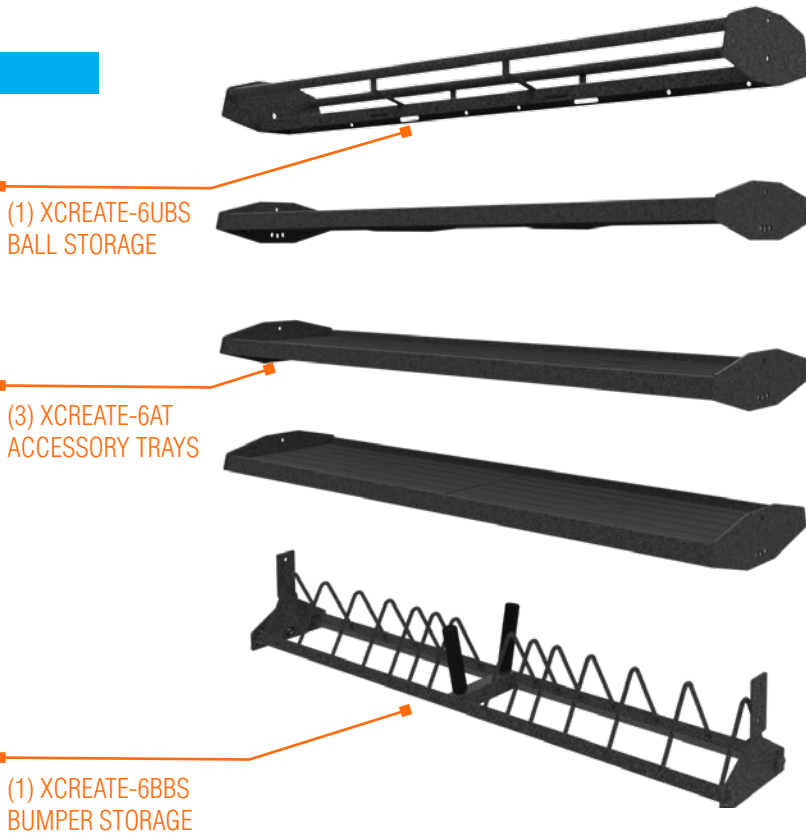




Model number	XCREATE-6ASM
Assembled Dimensions	70.5" x 72.0" x 19.1" (179 cm x 183 cm x 49 cm)
Weight	264 lb (119 kg)
Compatibility	X-Create Module Space
Warranty	10 year frame and welds/1 year parts/90 days misc.

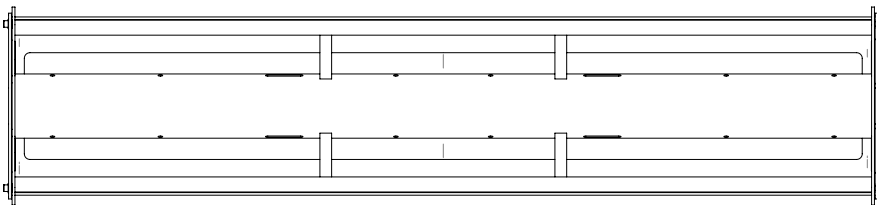
TOP VIEW

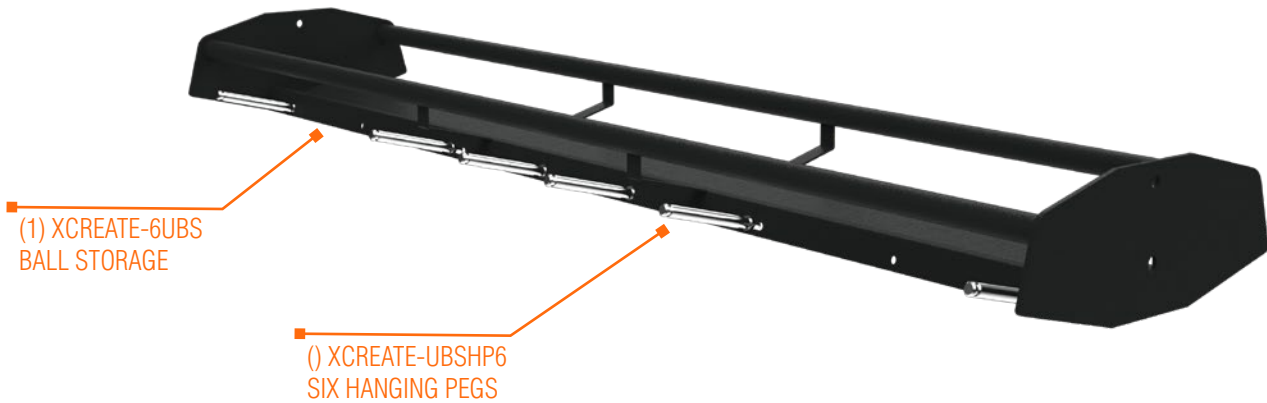




Model number	XCREATE-6ABBSM
Assembled Dimensions	75.4" x 42.1" x 19.1" (191 cm x 107 cm x 49 cm)
Weight	280 lb (127 kg)
Compatibility	X-Create Module Space
Warranty	10 year frame and welds/1 year parts/90 days misc.

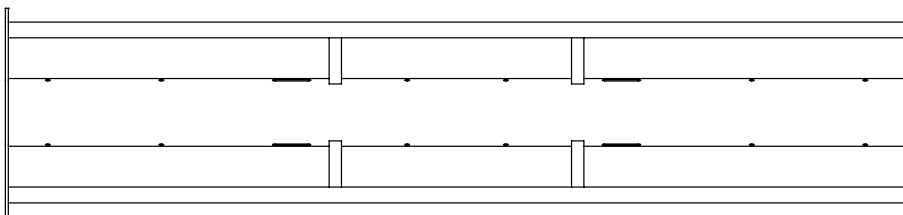
TOP VIEW

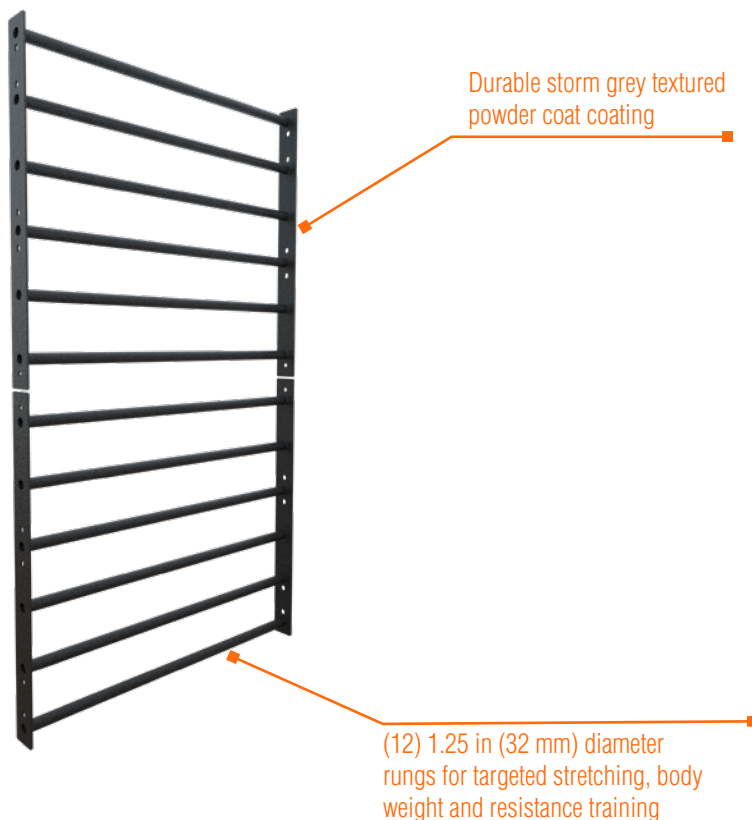




Model number	XCREATE-6UBHS
Assembled Dimensions	72.0" x 16.6" x 6.6" (107 cm x 42 cm x 17 cm)
Weight	43 lb (19 kg)
Compatibility	X-Create Module Space
Warranty	10 year frame and welds/1 year parts/90 days misc.

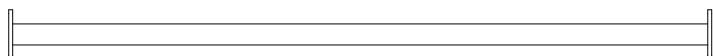
TOP VIEW

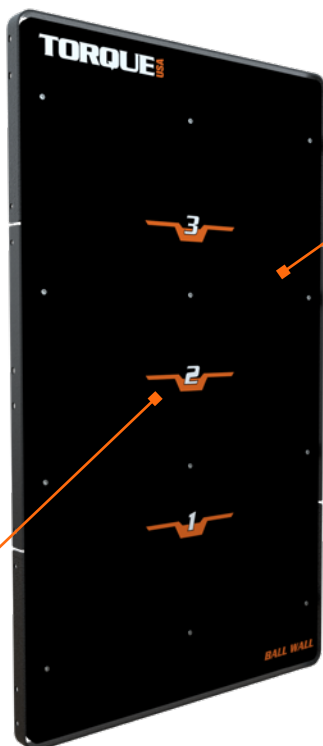




Model number	XCREATE-4SB
Assembled Dimensions	73.2" x 42.0" x 3.0" (186 cm x 107 x 7.5 cm)
Weight	43.2 lb (19.6 kg)
Compatibility	X-Create Module Space
Warranty	10 year frame and welds/1 year parts/90 days misc.

TOP VIEW





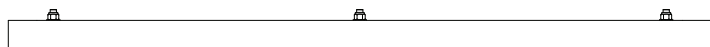
Phenolic resin surface withstands abuse

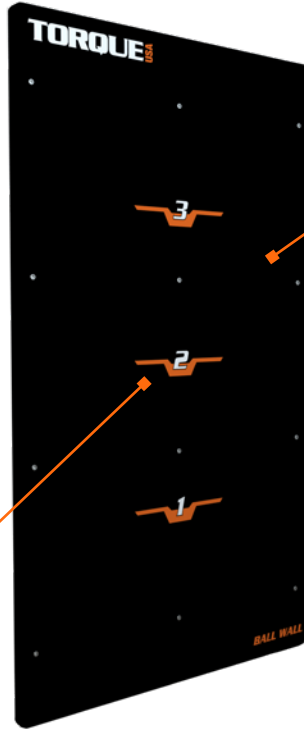
Target Wall split up into three different target zones (low, mid, & high)

Welded frame with impact dampening system

Model number	XCREATE-4BTW
Assembled Dimensions	73.2" x 42.1" x 2.7" (186 cm x 107 cm x 7.0 cm)
Weight	81.6 lb (37.0 kg)
Compatibility	X-Create Module Space
Warranty	10 year frame and welds/1 year parts/90 days misc.

TOP VIEW





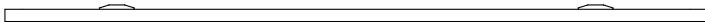
Phenolic resin surface withstands abuse

Target Wall split up into three different target zones (low, mid, & high)

Model number	XCREATE-4BTWRS
Assembled Dimensions	71.7" x 40.6" x 0.71" (182 cm x 103 cm x 1.8 cm)
Weight	25.4 lb (11.5 kg)
Compatibility	X-Create Module Space with XCREATE-4BTW
Warranty	10 year frame and welds/1 year parts/90 days misc.

TOP VIEW

NOTE: This component does not include a frame. It attaches to and requires the XCREATE-4BTW to be used with 2-Sided Center Space Systems for a ball target wall on both sides.



3 X 3 INCH (75 MM) UPRIGHTS

(1) XRACK-BS BAR SUPPORTS

(1) XRACK-BC BAR CATCHES

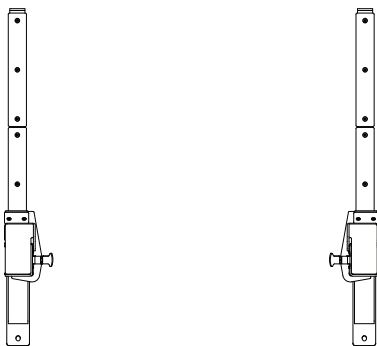


Adds barbell lifting to any X-Create Wall, Center, or Bridge Space System

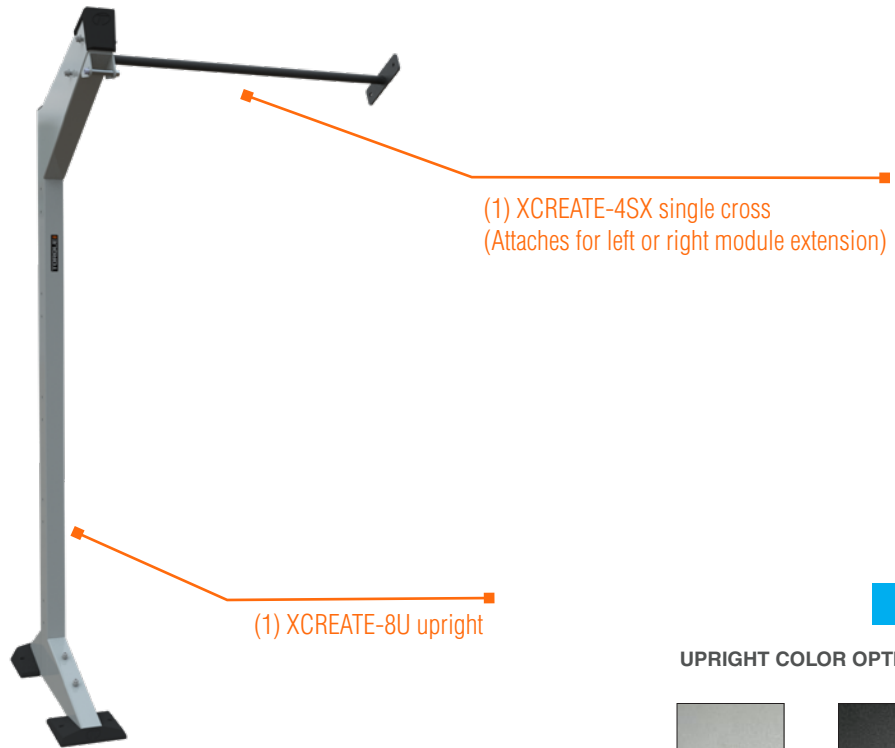
Model number	XCREATE-8OLS
Assembled Dimensions	43.9" x 48.4" x 87.9" (111.5 cm x 122.9 cm x 223.2 cm)
Weight	138.6 lb (62.8 kg)
Compatibility	X-Create Module Space
Warranty	10 year frame and welds/1 year parts/90 days misc.

TOP VIEW

NOTE: See X-Create Attachments for weight storage. (XCREATE-8UVWS)



Extends and adds training spaces to any X-Create Base or Functional System



UPRIGHT COLOR OPTIONS



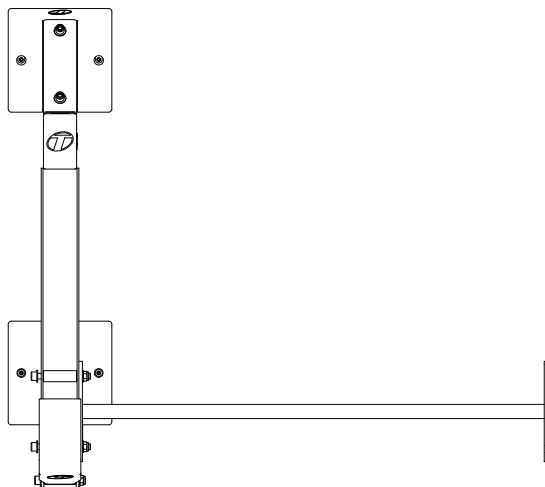
PLATINUM



SATIN BLACK

Model number	XCREATE-8UME
Assembled Dimensions	37.0" x 48.0" x 98.5" (94 cm x 122 cm x 243 cm)
Weight	110 lb (49.9 kg)
Compatibility	X-Create Module Space
Warranty	10 year frame and welds/1 year parts/90 days misc.

TOP VIEW



Extends and adds training spaces to any X-Create 2-Sided Center Base or Functional System



(2) XCREATE-4SX single crosses
(Attaches for left or right module extension)

(1) XCREATE-2S8U upright

UPRIGHT COLOR OPTIONS



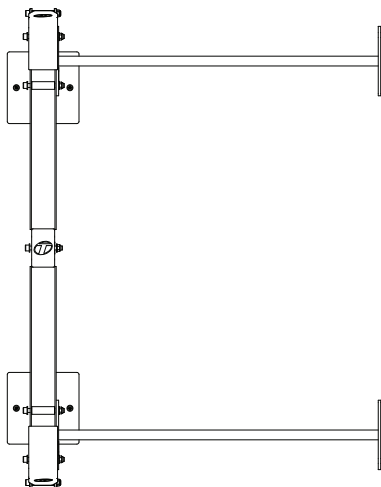
PLATINUM

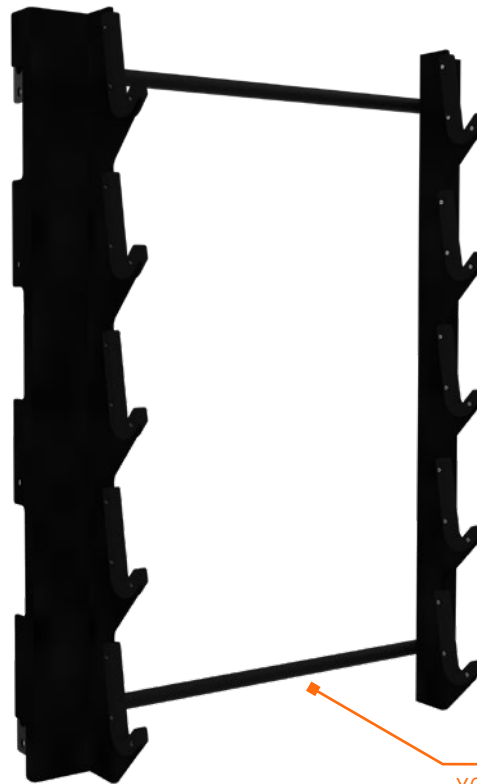


SATIN BLACK

Model number	XCREATE-2S8UME
Assembled Dimensions	50.0" x 48.0" x 98.5" (127 cm x 122 cm x 243 cm)
Weight	158 lb (71.7 kg)
Compatibility	X-Create 2-Sided Center Module Space
Warranty	10 year frame and welds/1 year parts/90 days misc.

TOP VIEW





XCREATE-VBS5
(Holds 5 barbells)

Includes numbered labels to mark barbell locations.

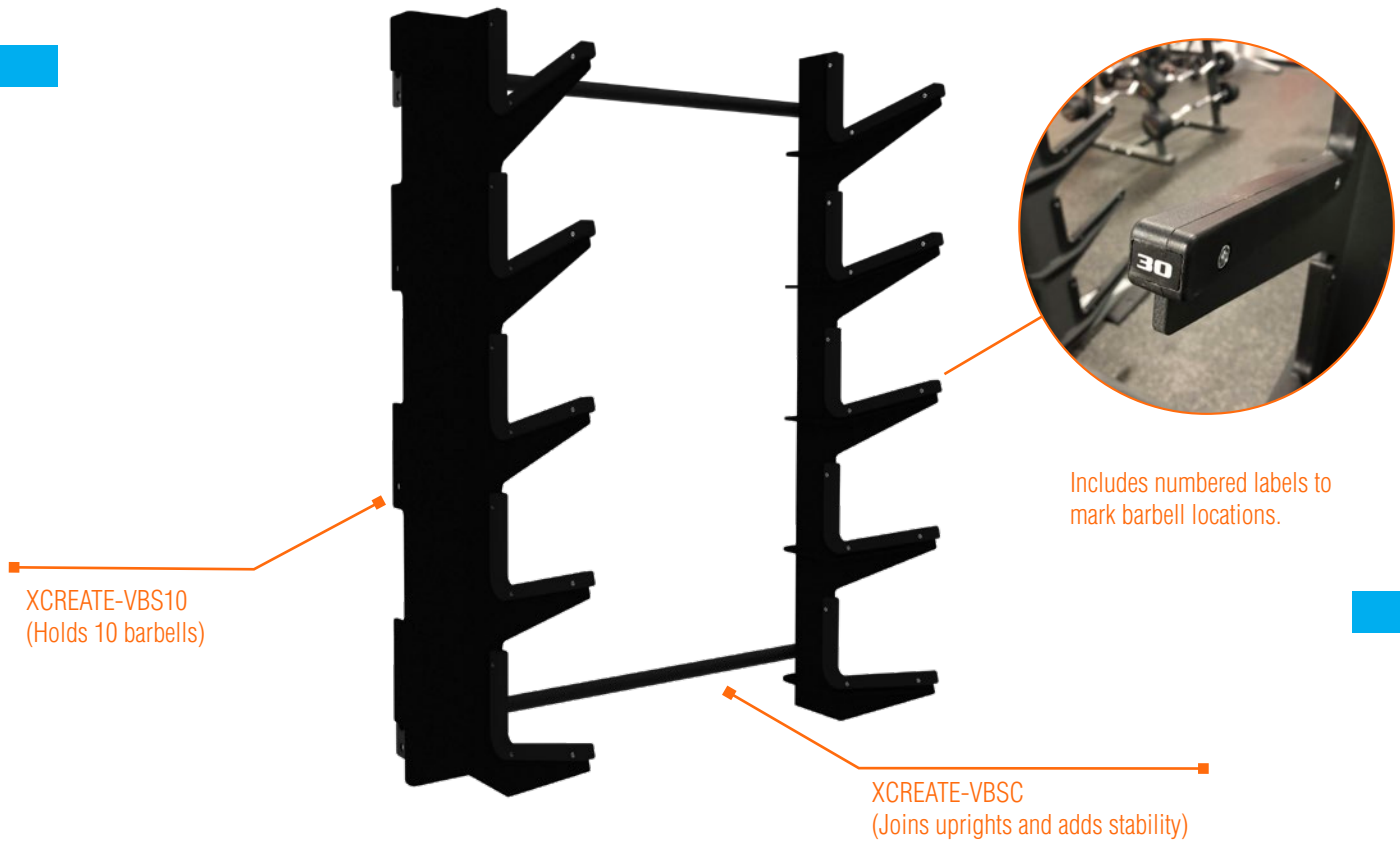
XCREATE-VBSC
(Joins uprights and adds stability)

Model number	XCREATE-4BSM5
Assembled Dimensions	42.1" x 10.3" x 55.6" (107 cm x 26 cm x 141 cm)
Weight	97.6 lb (44.3 kg)
Compatibility	X-Create Module Space, Barbell racks
Warranty	10 year frame and welds/1 year parts/90 days misc.

TOP VIEW

NOTE: May not be compatible with all barbells. Handle length (inside of heads) must be 33.3 inches (85 cm) or greater.





Model number	XCREATE-4BSM10
Assembled Dimensions	42.1" x 18.6" x 55.6" (107 cm x 47 cm x 141 cm)
Weight	131.9 lb (59.8 kg)
Compatibility	X-Create Module Space, Barbell racks
Warranty	10 year frame and welds/1 year parts/90 days misc.

TOP VIEW

NOTE: May not be compatible with all barbells. Handle length (inside of heads) must be 33.3 inches (85 cm) or greater.





(2) XCREATE-VBS5
(Holds 10 barbells)

Includes numbered labels to mark barbell locations.

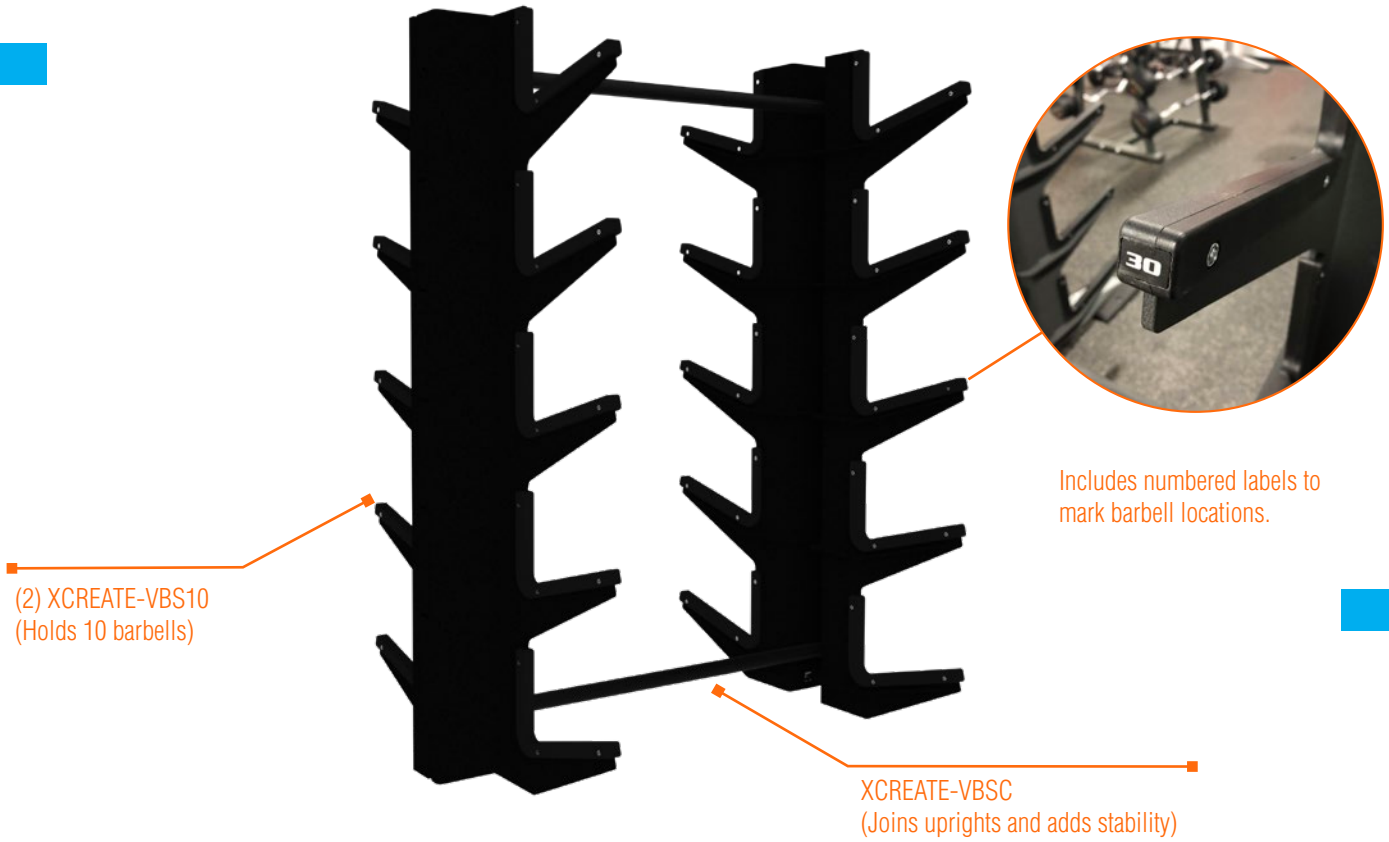
XCREATE-VBSC
(Joins uprights and adds stability)

Model number	XCREATE-42SBSM10
Assembled Dimensions	42.1" x 19.0" x 55.6" (107 cm x 48 cm x 141 cm)
Weight	180.9 lb (82.1 kg)
Compatibility	X-Create Module Space, Barbell racks
Warranty	10 year frame and welds/1 year parts/90 days misc.

TOP VIEW

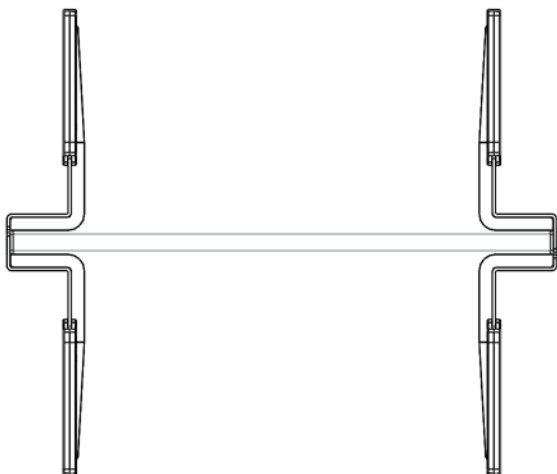


NOTE: May not be compatible with all barbells. Handle length (inside of heads) must be 33.3 inches (85 cm) or greater.

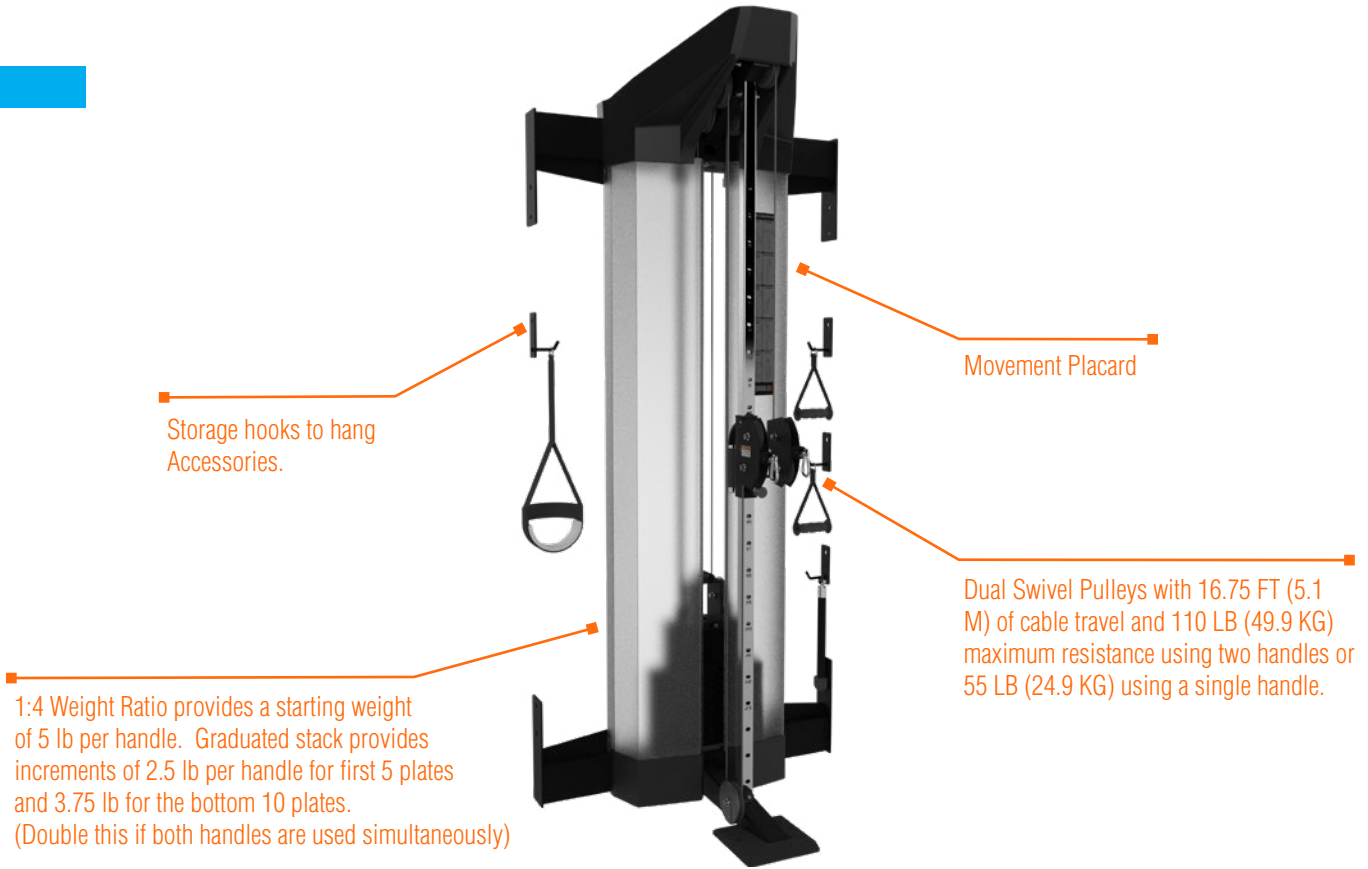


Model number	XCREATE-42SBSM20
Assembled Dimensions	42.1" x 35.5" x 55.6" (107 cm x 90 cm x 141 cm)
Weight	246.4 lb (111.8 kg)
Compatibility	X-Create Module Space, Barbell racks
Warranty	10 year frame and welds/1 year parts/90 days misc.

TOP VIEW

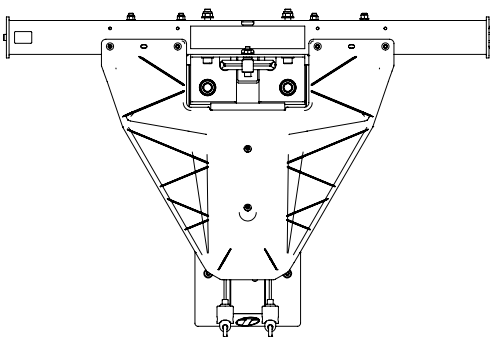


NOTE: May not be compatible with all barbells. Handle length (inside of heads) must be 33.3 inches (85 cm) or greater.



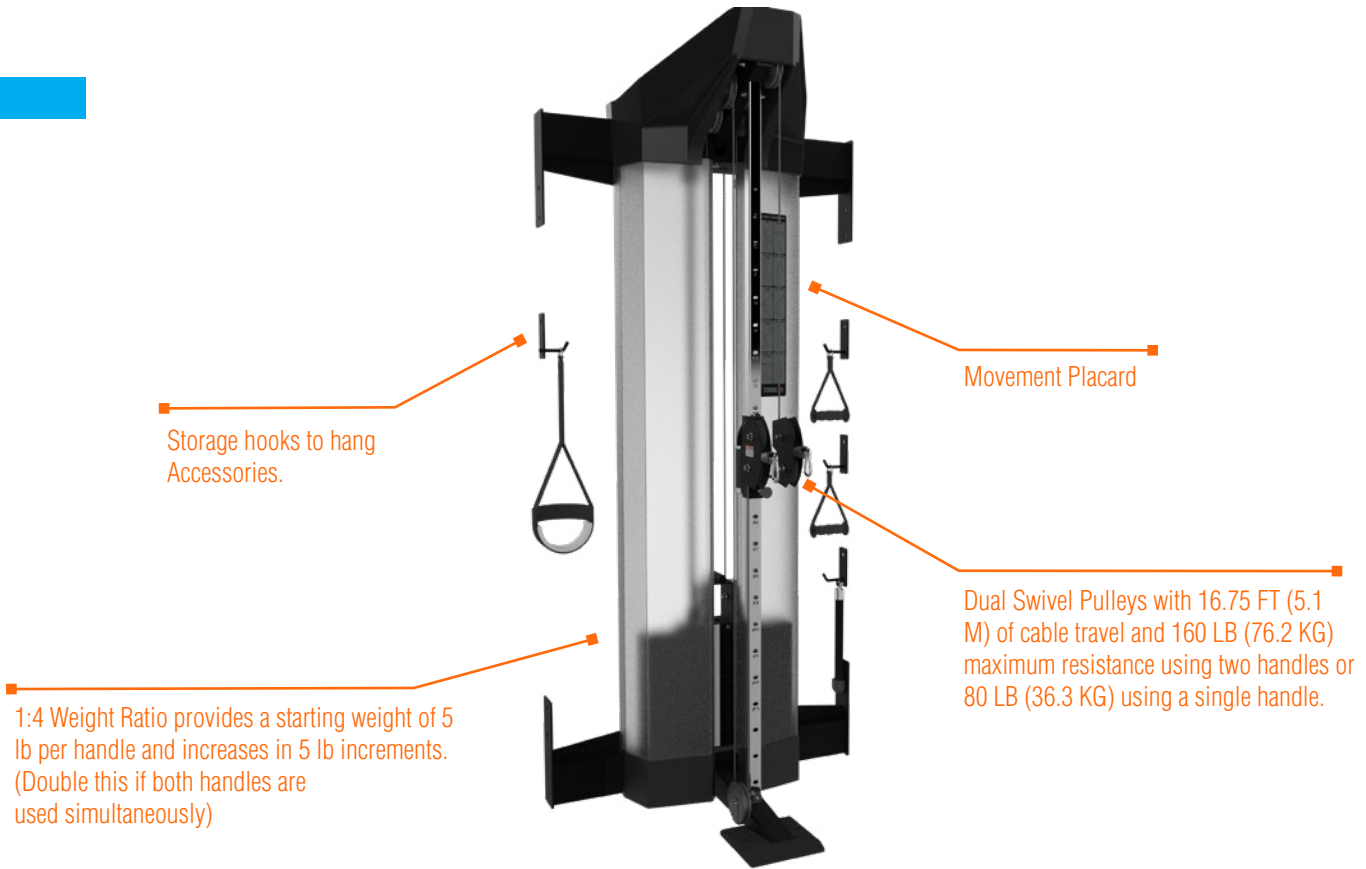
Model number	XCREATE-4CCLM
Assembled Dimensions	42.1" x 27.0" x 93.7" (107 cm x 69 cm x 238 cm)
Module Weight	409 lb (185.5 kg)
Weight Stack	220 lb (99.8 kg; Weight Ratio: 1:4)
Compatibility	X-Create Module Space
Warranty	10 year frame and welds/1 year parts/90 days misc.

TOP VIEW



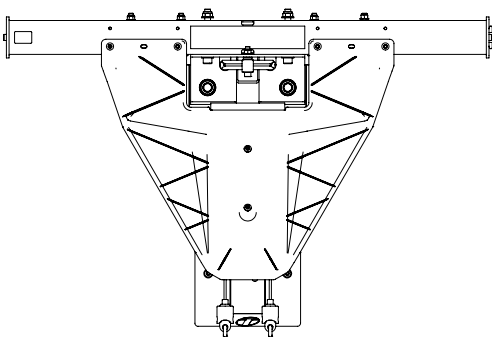
INCLUDED ACCESSORIES

- (2) SHORT STRAP HANDLES
- (2) TRICEPS ROPES
- (1) LEG BOOT



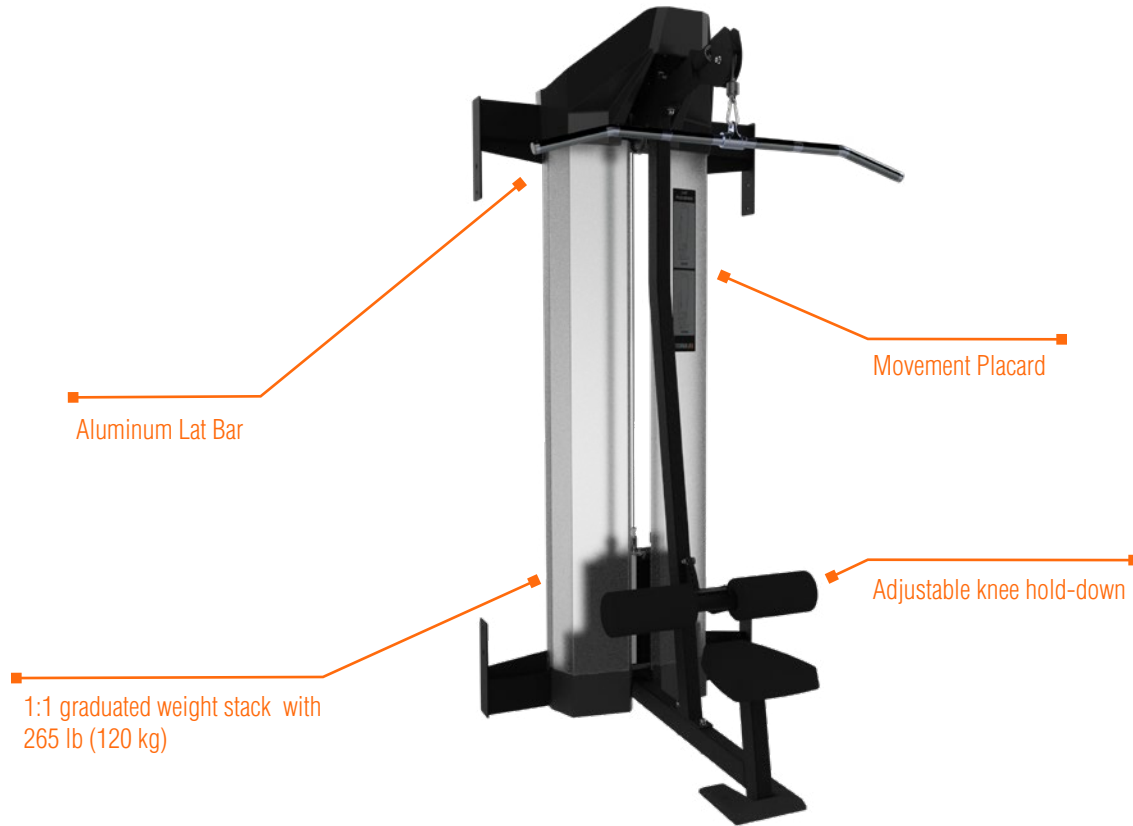
Model number	XCREATE-4CCHM
Assembled Dimensions	42.1" x 27.0" x 93.7" (107 cm x 69 cm x 238 cm)
Module Weight	509 lb (230.9 kg)
Weight Stack	320 lb (145.1 kg); Weight Ratio: 1:4
Compatibility	X-Create Module Space
Warranty	10 year frame and welds/1 year parts/90 days misc.

TOP VIEW



INCLUDED ACCESSORIES

- (2) SHORT STRAP HANDLES
- (2) TRICEPS ROPES
- (1) LEG BOOT



Aluminum Lat Bar

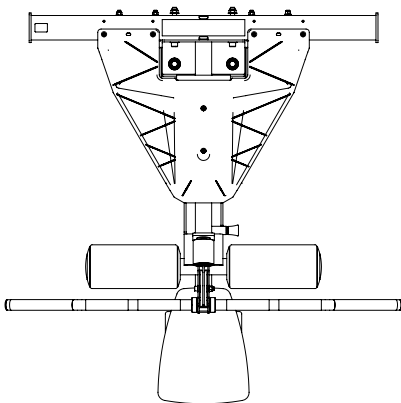
Movement Placard

Adjustable knee hold-down

1:1 graduated weight stack with 265 lb (120 kg)

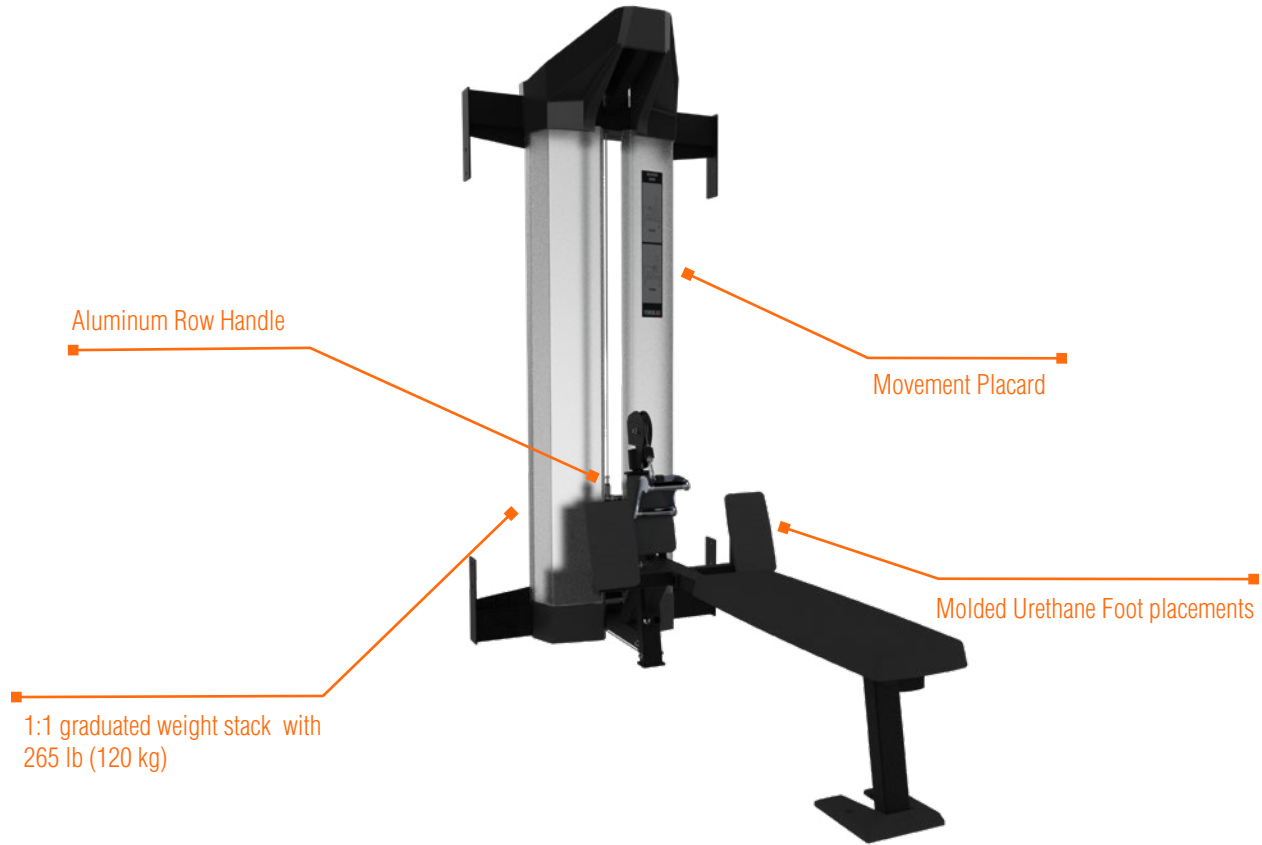
Model number	XCREATE-4LPDM
Assembled Dimensions	42.1" x 47.2" x 93.7" (107 cm x 120 cm x 238 cm)
Module Weight	504 lb (228.6 kg)
Weight Stack	265 lb (120.2 kg); Weight Ratio: 1:1
Compatibility	X-Creat Module Space
Warranty	10 year frame and welds/1 year parts/90 days misc.

TOP VIEW



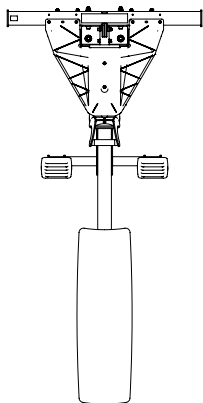
INCLUDED ACCESSORIES

- (1) ALUMINUM LAT BAR



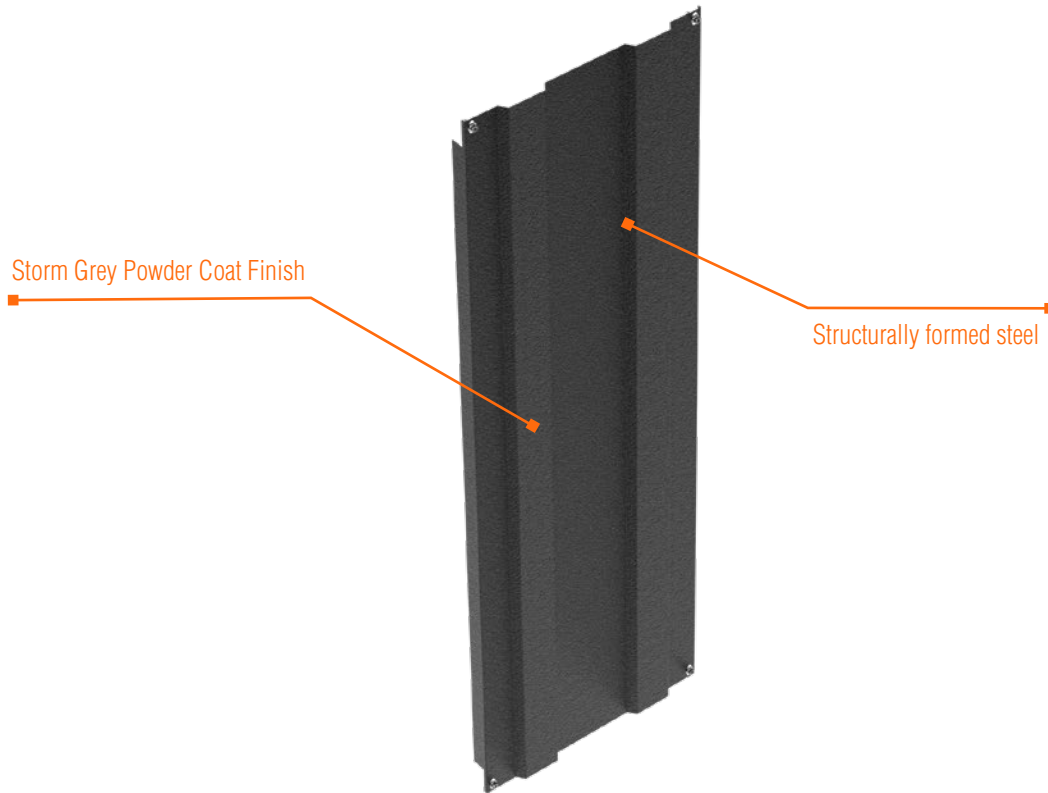
Model number	XCREATE-4SRM
Assembled Dimensions	42.1" x 47.2" x 93.7" (107 cm x 120 cm x 238 cm)
Module Weight	525 lb (238.1 kg)
Weight Stack	265 lb (120.2 kg); Weight Ratio: 1:1
Compatibility	X-Create Module Space
Warranty	10 year frame and welds/1 year parts/90 days misc.

TOP VIEW



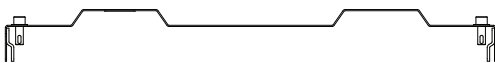
INCLUDED ACCESSORIES

- (1) ALUMINUM LOW ROW HANDLE



Model number	XCREATE-CSSR
Assembled Dimensions	23.9" x 2.5" x 73.2" (60.7 cm x 6.4 cm x 186.0 cm)
Module Weight	35.1 lb (15.9 kg)
Compatibility	X-Create Module Space
Warranty	10 year frame and welds/1 year parts/90 days misc.

TOP VIEW



NOTE

- Optional for 2-Sided X-Create Systems with cable stations on one side only.
- Not compatible with Wall Mount Systems or X-Create Systems with cable stations attached back to back.