

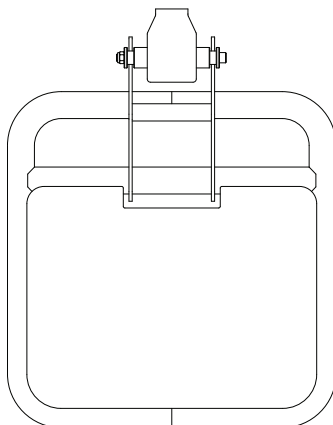
X-CREATE ATTACHMENTS

Attaches to the side of X-Create and X-Lab uprights. Includes attachment anchor and adjustable height plyo-step.



Model number	XCREATE-PSA
Assembled Dimensions	30.6" x 24.0" x 53.7" (77.8 cm x 61.0 cm x 136.4 cm)
Weight	75.5 lb (34.2 kg)
Compatibility	X-Create and X-Lab uprights
Warranty	10 year frame and welds/1 year parts/90 days misc.

TOP VIEW



NOTE

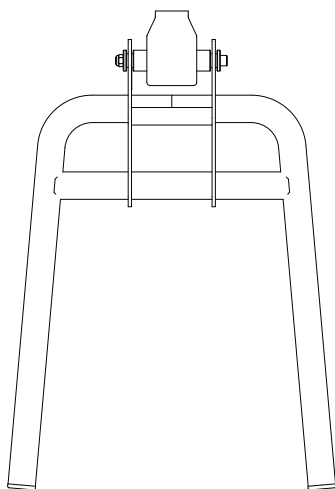
- MOUNTS TO X-CREATE UPRIGHTS

Attaches to the side of X-Create and X-Lab uprights. Includes attachment anchor and adjustable height dip bar.



Model number	XCREATE-DA
Dimensions	34.4" x 23.6" x 53.7" (87.4 cm x 60.0 x 136.4 cm)
Weight	62.5 lb (28.4 kg)
Compatibility	X-Create and X-Lab uprights
Warranty	10 year frame and welds/1 year parts/90 days misc.

TOP VIEW



NOTE

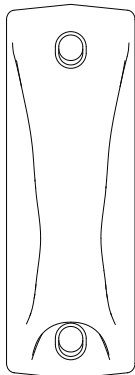
- MOUNTS TO X-CREATE UPRIGHTS

The high-impact molded nylon battle rope anchor attaches to the base of the X-Create uprights and provides a smooth surface preventing wear on up to 3 inch (75 mm) diameter battle ropes.



Model number	XRACK-BRA
Dimensions	8.9" x 3.0" x 4.3" (22.6 cm x 7.5 cm x 11.0 cm)
Weight	1.6 lb (0.73 kg)
Compatibility	X-Create, X-Lab, X-Rack, X-Siege and XHC
Warranty	10 year frame and welds/1 year parts/90 days misc.

TOP VIEW



NOTE

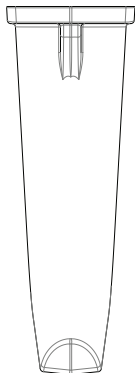
- MOUNTS TO X-CREATE UPRIGHTS

The high-impact molded nylon battle rope anchor attaches to X-Create uprights and provides a storage location for battle ropes or other accessories.



Model number	XCREATE-HSH
Dimensions	8.5" x 3.0" x 7.6" (21.5 cm x 7.5 cm x 19.3 cm)
Weight	1.5 lb (0.70 kg)
Compatibility	X-Create, X-Rack, and X-Siege (see note below)
Warranty	10 year frame and welds/1 year parts/90 days misc.

TOP VIEW



NOTE

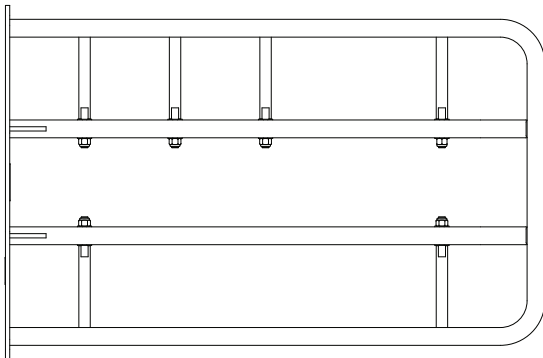
- MOUNTS TO X-CREATE UPRIGHTS
- COMPATIBLE WITH X-RACK AND X-SIEGE SYSTEMS THAT HAVE WEIGHT OR ACCESSORY STORAGE UPRIGHTS.



Provides storage for stability balls, exercise mats and hanging accessories. Adjustable pegs accommodate mats holes from x to y wide. Attaches to the side of X-Create and X-Rack uprights.

Model number	XCREATE-BHSE
Dimensions	29.8" x 19.6 x 5.8" (76 cm x 50 cm x 15 cm)
Weight	18.9 lb (8.6 kg)
Compatibility	X-Create and X-Rack uprights
Warranty	10 year frame and welds/1 year parts/90 days misc.

TOP VIEW



NOTE

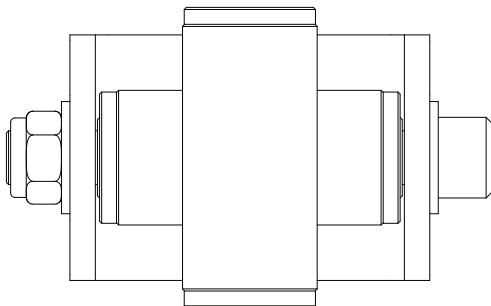
- MOUNTS TO X-CREATE UPRIGHTS



Rotates and swivels in 3-dimensional space to improve exercise quality and extend life of hooks and heavy bags. Attaches to Suspension Mount on X-Create Uprights.

Model number	XCREATE-3DS
Dimensions	6.8" x 4.5" x 2.8" (17.3 cm x 11.5 cm x 7.1 cm)
Weight	2.9 lb (1.3 kg)
Compatibility	X-Create Uprights
Hanging height of heavy bag	81.9" (208 cm)
Warranty	10 year frame and welds/1 year parts/90 days misc.

TOP VIEW



NOTE

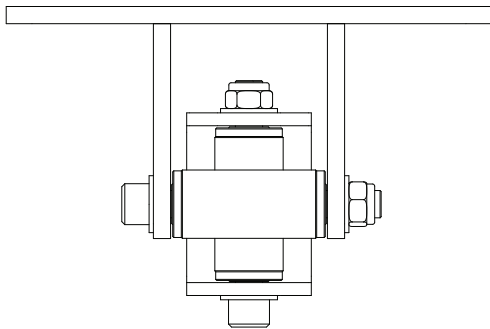
- MOUNTS TO X-CREATE UPRIGHTS



Rotates and swivels in 3-dimensional space to improve exercise quality and extend life of hooks and heavy bags. Attaches to X-Create Bridge System and X-Rack Monkey Bar and Rectangular Crosses.

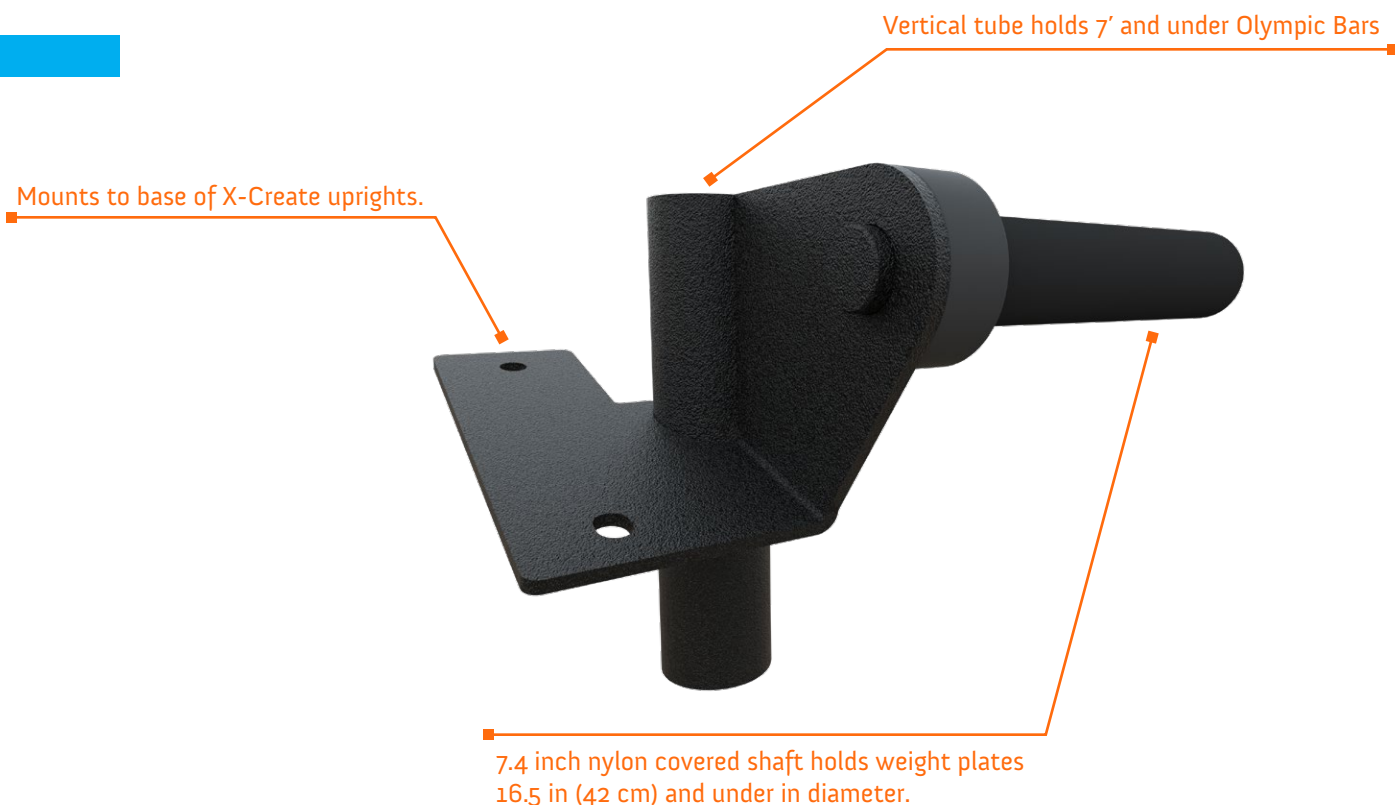
Model number	XCREATE-3DSM
Dimensions	5.9" x 8.9" x 10.9" (14.9 cm x 22.6 cm x 27.8 cm)
Weight	8.6 lb (3.9 kg)
Compatibility	X-Create and X-Rack rectangular and monkey bar crosses
Hanging height of heavy bag	90.1" (229 cm)
Warranty	10 year frame and welds/1 year parts/90 days misc.

TOP VIEW



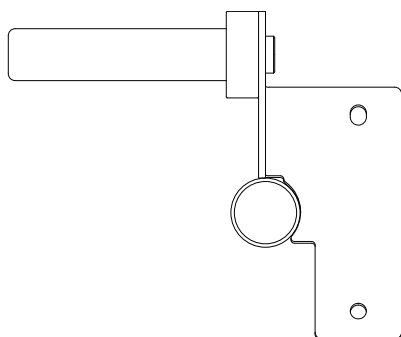
NOTE

- MOUNTS TO X-CREATE BRIDGE SYSTEMS
- MOUNTS TO FRONT OF X-CREATE UPRIGHTS WITH THE XCREATE-AE



Model number	XCREATE-DP
Dimensions	11.3" x 13.4" x 9.8" (28.6 cm x 34.1 cm x 9.8 cm)
Weight	9.7 lb (4.4 kg)
Compatibility	X-Create uprights
Warranty	10 year frame and welds/1 year parts/90 days misc.

TOP VIEW



NOTE

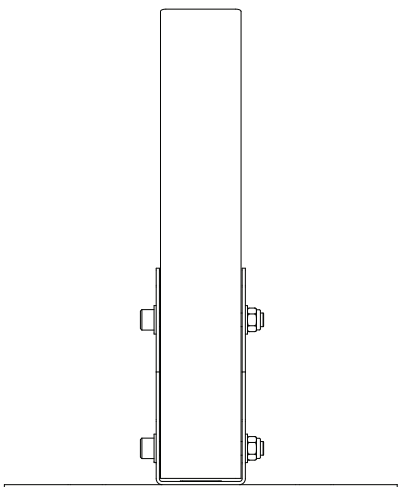
- MOUNTS TO X-CREATE UPRIGHTS

Upper Wall Ball Target attaches to X-Create Uprights and provides both a 9 foot (2.7 m) and 10 foot (3.0 m) target height.



Model number	XCREATE-BT
Dimensions	39.2" x 14.4" x 17.6" (99.5 cm x 36.6 cm x 44.6 cm)
Weight	30.1 lb (13.9 kg)
Compatibility	X-Create uprights
Warranty	10 year frame and welds/1 year parts/90 days misc.

TOP VIEW



NOTE

- MOUNTS TO X-CREATE UPRIGHTS

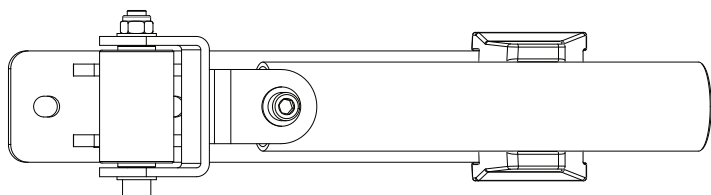


Also referred to as a landmine, the ground rotational trainer attaches to the base of the X-Create upright to provide rotational training with any sized Olympic Bar.

Molded rubber keeps GRT centered in the storage position

Model number	XHMGRT
Dimensions	18.2" x 5.0" x 5.7" (46.1 cm x 12.7 cm x 14.5 cm)
Weight	14.6 lb (6.6 kg)
Compatibility	X-Create uprights; X-Rack and X-Siege with lower band peg attachment
Warranty	10 year frame and welds/1 year parts/90 days misc.

TOP VIEW



NOTE

- MOUNTS TO X-CREATE UPRIGHTS

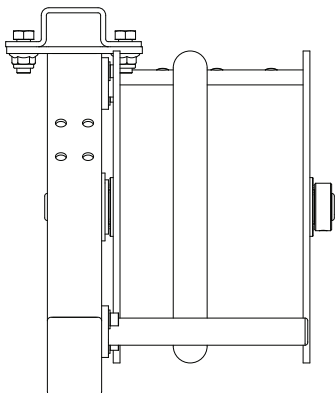


Attaches to the side of X-Create uprights or to the Monkey Bar Crosses on Bridge Systems.

Variable magnetic brake provides increasing resistance with speed.

Model number	XERD
Dimensions	12.7" x 12.1" x 15.5" (32.3 cm x 30.1 cm x 15.5 cm)
Weight	46 lb (20.9 kg)
Compatibility	X-Create, X-Lab, X-Rack, X-Cages and X-Siege
Rope height - On Uprights	77.8" (198 cm)
Rope height - On Monkey Bars	103.9" (264 cm)
Warranty	10 year frame and welds/1 year parts/90 days misc.

TOP VIEW



NOTE

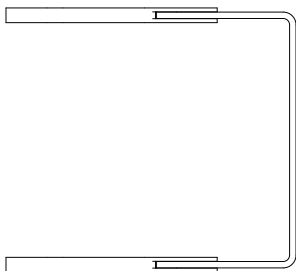
- MOUNTS TO X-CREATE UPRIGHTS AND TO MONKEY BAR CROSSES OF BRIDGE SYSTEMS
- ROPE HEIGHT IS MEASURED TO CENTER OF DRUM



The Vertical Dumbbell Storage Attachment holds 4 pairs of dumbbells (each up to 55 lbs (25 KG)) and attaches to the inside or outside of a module on any X-Create Upright. Nylon guards prevent damage to rack or dumbbell grips.

Model number	XCREATE-VDS4
Dimensions	5.4" x 4.9" x 56.4" (13.6 cm x 12.4 cm x 143.2 cm)
Weight	22.4 lb (10.2 kg)
Compatibility	X-Create uprights
Warranty	10 year frame and welds/1 year parts/90 days misc.

TOP VIEW



NOTE

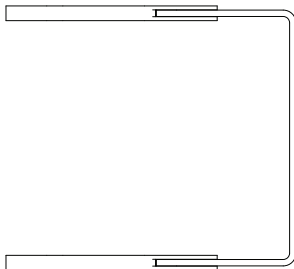
- MOUNTS TO X-CREATE UPRIGHTS



The Vertical Dumbbell Storage Attachment holds 4 pairs of dumbbells (each up to 30 lb (12.5 KG)) and attaches to the inside or outside of a module on any X-Creat Upright. Nylon guards prevent damage to rack or dumbbell grips.

Model number	XCREATE-VDS5
Dimensions	5.4" x 4.9" x 56.4" (13.6 cm x 12.4 cm x 143.2 cm)
Weight	22.4 lb (10.2 kg)
Compatibility	X-Creat uprights
Warranty	10 year frame and welds/1 year parts/90 days misc.

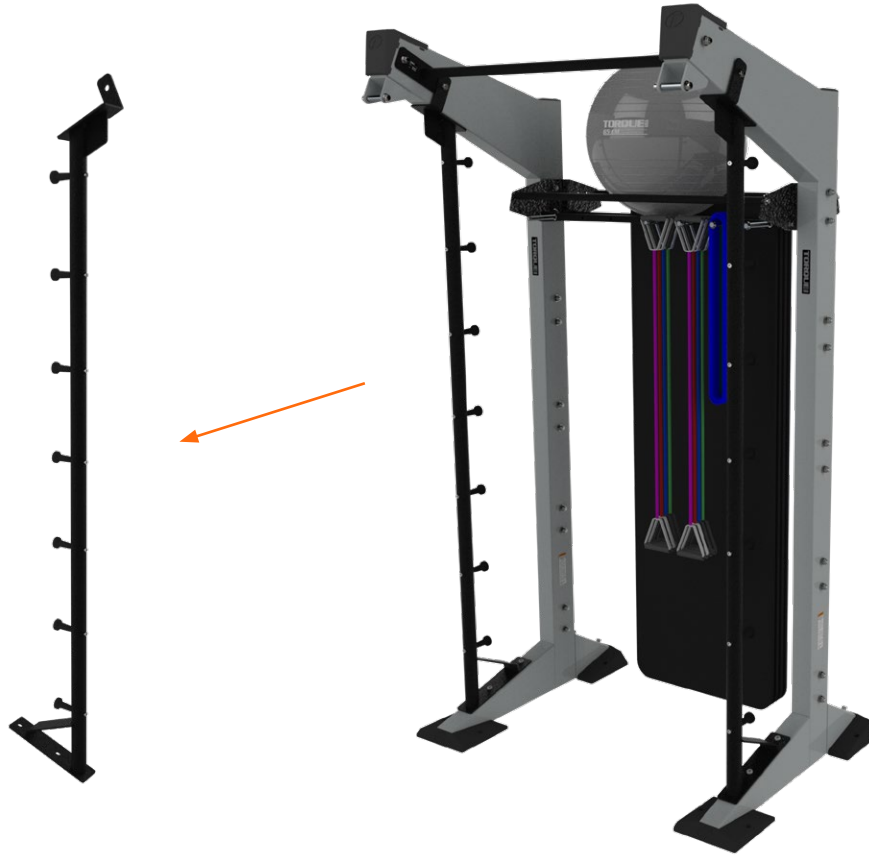
TOP VIEW



NOTE

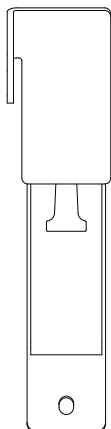
- MOUNTS TO X-CREATE UPRIGHTS

The high-impact molded nylon pegs and upright colored smooth finish provide an anchor solution for resistance bands, loops and Ripp Trainers. The RBA can also serve as a battle rope anchor. Sold individually.



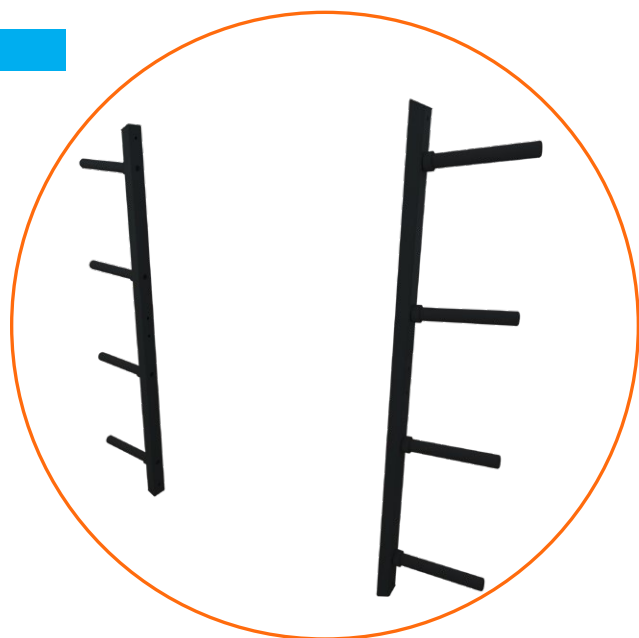
Model number	XCREATE-RBA
Dimensions	16.0" x 3.9" x 87.9" (40.6 cm x 9.9 cm x 223.3 cm)
Weight	21.6 lb (9.8 kg)
Compatibility	X-Create uprights
Warranty	10 year frame and welds/1 year parts/90 days misc.

TOP VIEW



NOTE

- MOUNTS TO X-CREATE UPRIGHTS
- SOLD INDIVIDUALLY



Solid welded shafts include nylon sleeves to protect paint are 11.4 in (289 mm) long can hold up to 45 lb Olympic plates on every peg. Sold as a pair.

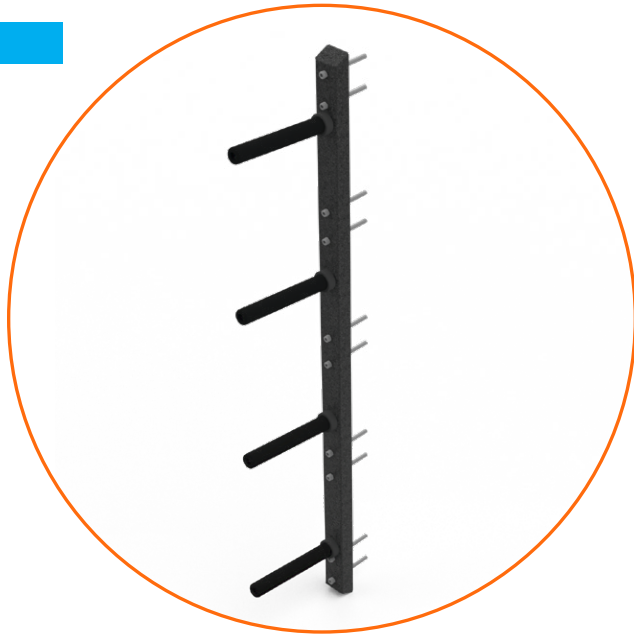
Model number	XCREATE-8UVWS
Dimensions (each side)	71.3" x 3.0" x 14.7" (181.1 cm x 7.5 cm x 37.4 cm)
Weight	64.2 lb (29.1 kg)
Compatibility	X-Create uprights
Warranty	10 year frame and welds/1 year parts/90 days misc.

TOP VIEW

NOTE

- MOUNTS TO X-CREATE UPRIGHTS
- SOLD AS PAIR

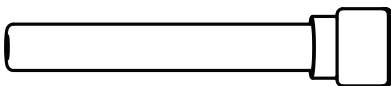




Solid welded shafts include nylon sleeves to protect paint are 11.4 in (289 mm) long can hold up to 45 lb Olympic plates on every peg. Sold individually and also offered as a pair.

Model number	XCREATE-8UVWSS
Dimensions	71.3" x 3.0" x 14.7" (181.1 cm x 7.5 cm x 37.4 cm)
Weight	31.9 lb (14.5 kg)
Compatibility	X-Create uprights
Warranty	10 year frame and welds/1 year parts/90 days misc.

TOP VIEW



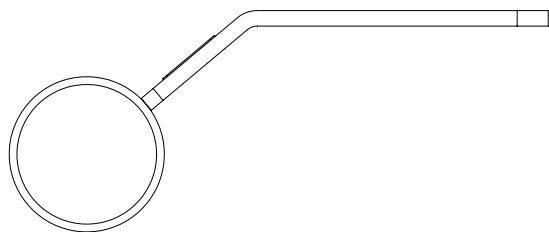
NOTE

- MOUNTS TO X-CREATE UPRIGHTS
- SOLD AS INDIVIDUAL UPRIGHT WITH 4 PEGS



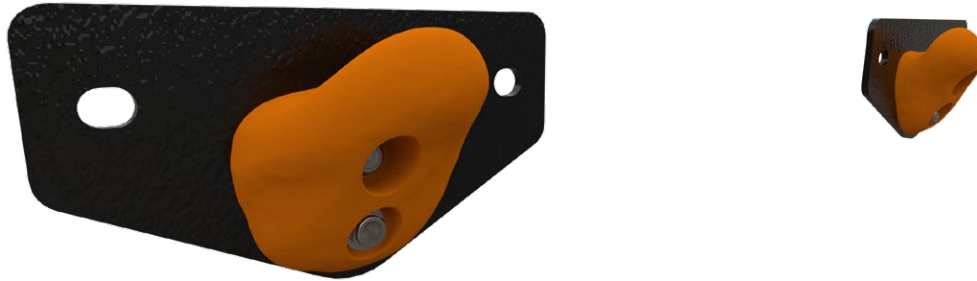
Model number	DP
Dimensions (each side)	8.2 in x 2.8 in x 8.2 in (20.9 cm x 7.1 cm x 2.3 cm)
Weight	5.7 lb (2.6 kg)
Compatibility	X-Create uprights
Warranty	10 year frame and welds/1 year parts/90 days misc.

TOP VIEW



NOTE

- MOUNTS TO X-CREATE 8 FOOT LIFTING UPRIGHTS FOR OLYMPIC BAR STORAGE AND TO ANCHOR BATTLE ROPES.



Challenge your pull-ups and improve grip strength with the Rock Climbing Attachment. Mounts to X-Create Bridge System Monkey Bar Crosses. Sold as a set of left and right textured high-impact nylon molded rock grips on mounting plates.

Model number	XRACK-RCK
Dimensions (recommended width)	2.3" x 32.9" x 4.7" (5.8 cm x 83.6 cm x 11.8 cm)
Weight	2.5 lb (5.5 kg)
Compatibility	X-Create, X-Rack and X-Siege Monkey Bar and Rectangular Crosses
Warranty	10 year frame and welds/1 year parts/90 days misc.

TOP VIEW

NOTE

- MOUNTS TO X-CREATE BRIDGE SYSTEMS



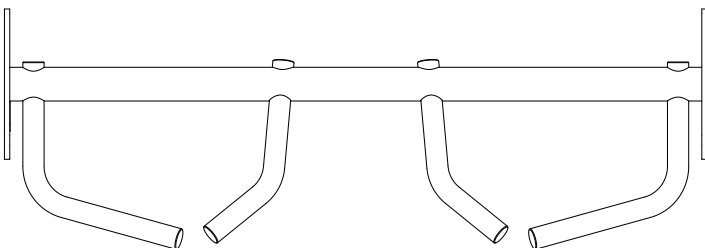


The 4 ft (1.2 m) Multi-Grip Cross has three ergonomic 1.25 in (32 mm) grip positions and a 2" (50 mm) straight "fat" bar to add variation to pull-ups. The handles are made of solid steel and powder coated with our textured storm grey wrinkle paint for an excellent grip.

The Multi-Grip Cross is standard on some Functional Packages and can be substituted for the straight bar single cross that comes standard on most X-Create Systems.

Model number	XCREATE-4MGX
Dimensions	41.7" x 14.3" x 5.9" (106 cm x 36 cm x 15 cm)
Weight	30.1 lb (13.9 kg)
Compatibility	All X-Create Systems
Warranty	10 year frame and welds/1 year parts/90 days misc.

TOP VIEW



NOTE

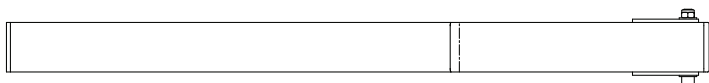
- STANDARD ON SOME FUNCTIONAL PACKAGES
- AVAILABLE SUBSTITUTION FOR XCREATE-4SX ON BASE AND STORAGE PACKAGES.



Two Top Boom Extensions allow the pull-up bar to be moved out 15.3 inches (38.9 cm) extending it further away from trays to allow for more unconstrained pull-ups.

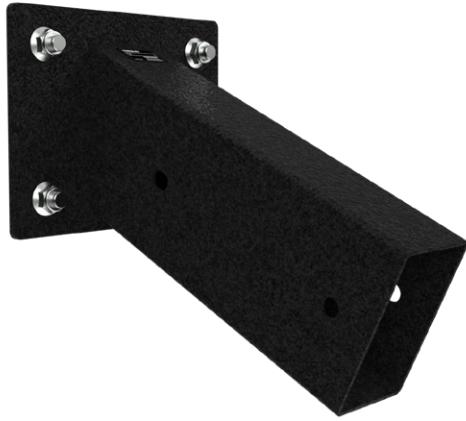
Model number	XCREATE-TBE
Dimensions	45.2" x 11.2" x 3.4" (115 cm x 8.5 cm x 8.5 cm)
Weight	26.0 lb (11.8 kg)
Compatibility	All X-Create Wall and 2-Sided Center Systems
Warranty	10 year frame and welds/1 year parts/90 days misc.

TOP VIEW



NOTE

- SOLD INDIVIDUALLY (TWO SHOWN ABOVE)

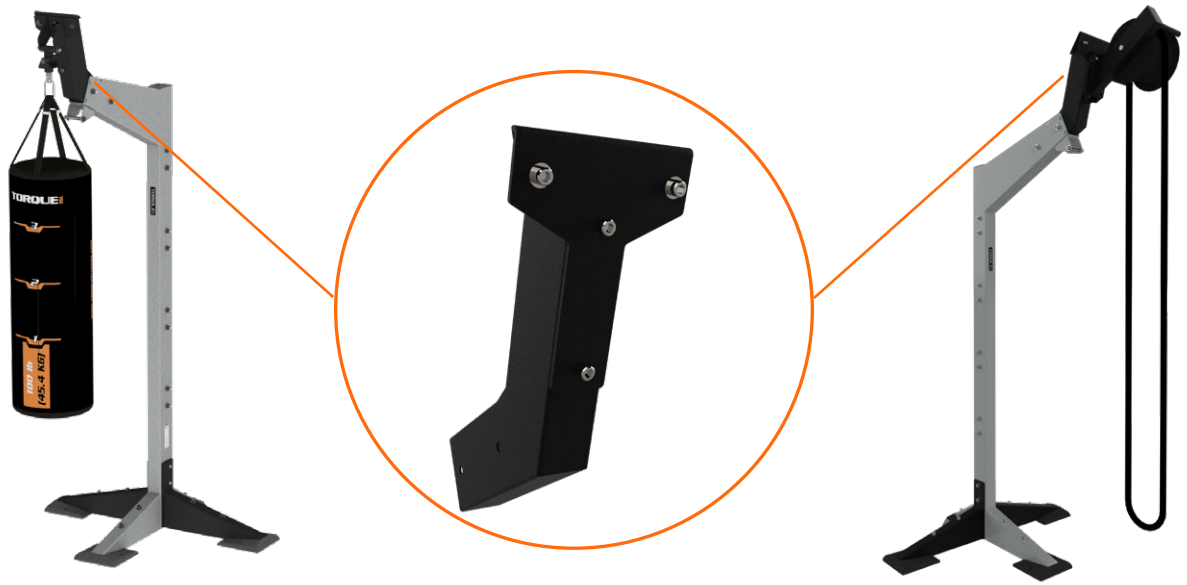


The Boom Mount allows the XERT Endless Rope Trainer to be attached to the front of 8 foot (2.4 m) X-Create uprights.

Model number	XCREATE-BMXERT
Dimensions	12.0" x 8.9" x 10.9" (30.5 cm x 27.7 cm x 8.9 cm)
Weight	10.6 lb (8.8 kg)
Compatibility	All X-Create Wall and 2-Sided Center Systems
Warranty	10 year frame and welds/1 year parts/90 days misc.

TOP VIEW



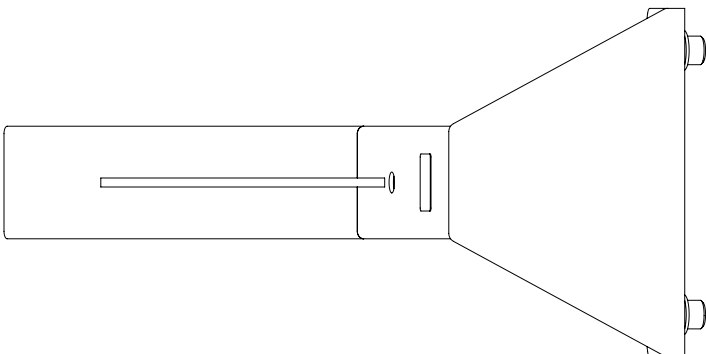


The Attachment Extension allow the XCREATE-3DSM 3-Dimensional Swivel with Mount to be attached for an elevated heavy bag off 8 foot (2.4 m) X-Creat uprights.

The Attachment Extension can also be used to mount the XERD endless rope from the front of any 8 foot (2.4 m) X-Creat uprights for an elevated high pull rope climb.

Model number	XCREATE-AE
Dimensions	23.2" x 9.1" x 13.9" (58.9 cm x 23.2 cm x 35.2 cm)
Weight	19.4 lb (8.8 kg)
Compatibility	All X-Creat Wall and 2-Sided Center Systems
Warranty	10 year frame and welds/1 year parts/90 days misc.

TOP VIEW





The Nut Caps serve as a washer replacement and hide exposed bolt threads, protecting accessories from damage.

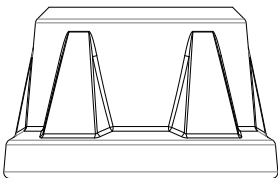


The Socket Head Cap Screw Covers replace washers and upgrade the aesthetics of your system, giving the X-Create a more refined look.

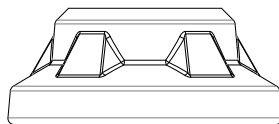


Model number	XHCFK-18BH
Quantity per kit	18 Nut Covers & 18 Socket Head Bolt Covers

TOP VIEW



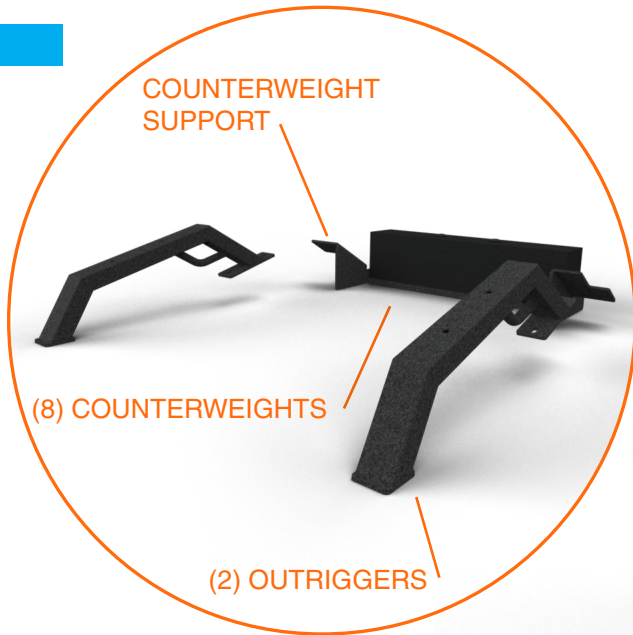
NUT COVER



BOLT COVER

NOTE

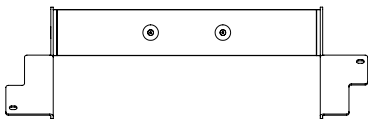
- The kit quantity is enough to replace washers in one single upright or one 4 foot or 6 foot Monkey Bar Section.
- The covers will not work with certain modules and attachments.



Adding the Counterbalance and Ourigger Attachment helps prevent the system from rocking or tipping during use.

Model number	XCREATE-4CBOA
Weight	558.7 lb (253.3 kg)
Compatibility	X-Create 8U & 7U uprights
Warranty	10 year frame and welds/1 year parts/90 days misc.

TOP VIEW

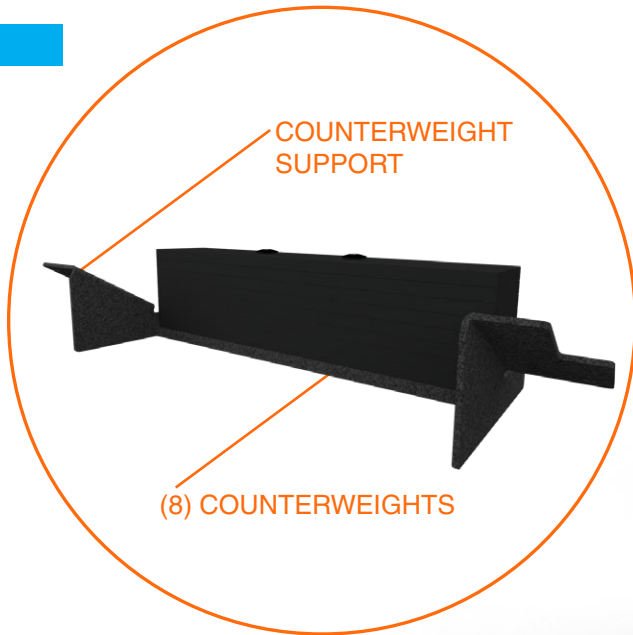


NOTE

- Add to each module space to eliminate the need to anchor system to the floor.
- If adding to a system with an odd number of modules, one outrigger may be eliminated.

INCLUDES

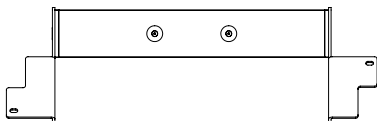
- (1) COUNTERWEIGHT SUPPORT
- (8) COUNTERWEIGHT PLATES
- (2) OUTRIGGERS



Adding the Counterbalance Attachment helps prevent the system from rocking or tipping during use when used on Cable Station modules.

Model number	XCREATE-4CBA
Weight	529.9 lb (240.4 kg)
Compatibility	X-Create 8U & 7U uprights
Warranty	10 year frame and welds/1 year parts/90 days misc.

TOP VIEW



NOTE

- Add to each Cable Station module space to eliminate the need to anchor system to the floor.
- XCREATE-4CBOA which includes outriggers is required in all module spaces that are not occupied by Cable Stations.

INCLUDES

- (1) COUNTERWEIGHT SUPPORT
- (8) COUNTERWEIGHT PLATES
- (2) OUTRIGGERS



Securing X-Create uprights to a wall, with the Wall Anchor Bracket Kit, eliminates the need to anchor X-Create Wall Systems to the floor.

Model number	XCREATE-4WAB
Weight	35.9 lb (16.3 kg)
Compatibility	X-Create 8U & 7U uprights
Warranty	10 year frame and welds/1 year parts/90 days misc.

TOP VIEW

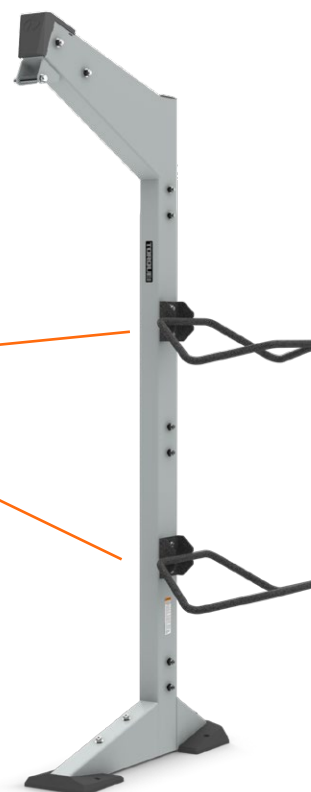


NOTE

- Includes hardware for anchoring into wood studs. For other types of wall construction, different hardware (not included) is required.
- Not compatible with 2-Sided uprights

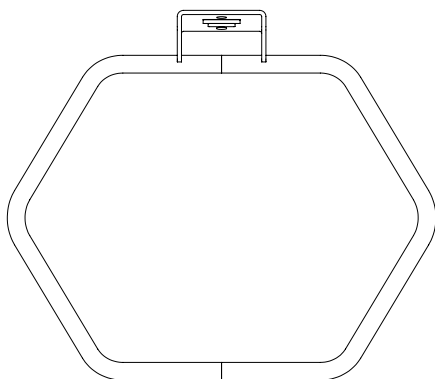


The X-Create BOSU storage attachment includes hangers for two BOSU balls.



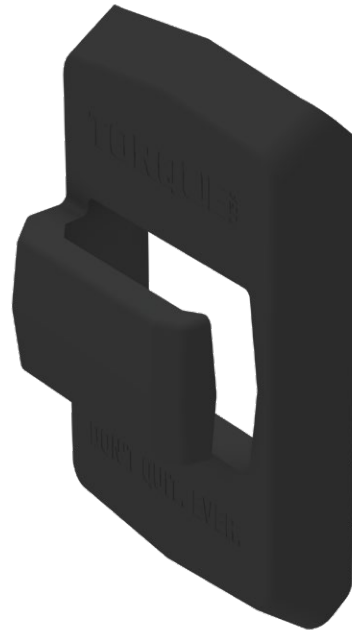
Model number	XCREATE-SA-BOSU-2
Weight	14.4 lb (6.6 kg)
Compatibility	All X-Create Uprights
Warranty	10 year frame and welds/1 year parts/90 days misc.

TOP VIEW



NOTE

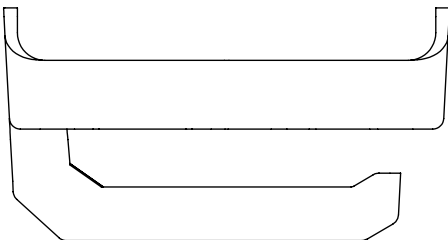
- Kit includes two BOSU brackets. Up to five brackets can be attached to each side of XCREATE-7U or 8U uprights.



The X-Create Hanging Storage Clip attaches to any 3 inch (75 mm) wide tube with magnets and is used to capture and retain suspension straps when not in use.

Model number	XCREATE-HMSC
Weight	0.2 lb (0.08 kg)
Compatibility	All X-Create & X-Rack Uprights
Warranty	10 year frame and welds/1 year parts/90 days misc.

TOP VIEW



NOTE

- Component includes two Hanging Storage Clips.