



UPRIGHT COLOR OPTIONS



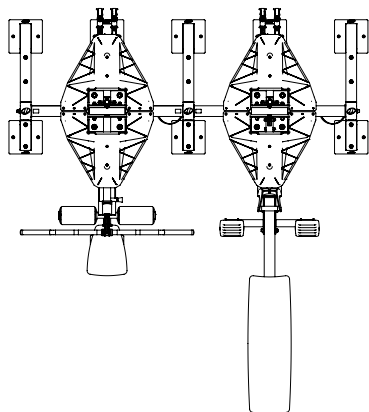
PLATINUM



SATIN BLACK

Model number	XCXS2SC-2M-X1
Footprint	108.6" x 99.0" (276 cm x 251 cm)
Height	Frame 93.7" (238 cm);
Minimum Required Live Area	11' x 16.0' (3.37 m x 4.88 m)
Warranty	10 year frame and welds/1 year parts/90 days misc.

TOP VIEW



INCLUDED MODULES

- (2) HEAVY CABLE COMPONENT MODULES
- (1) LAT PULLDOWN MODULE
- (1) SEATED ROW MODULE

NOTE: X-Create systems are required to be bolted to a concrete sub-floor. Accessories shown sold separately.