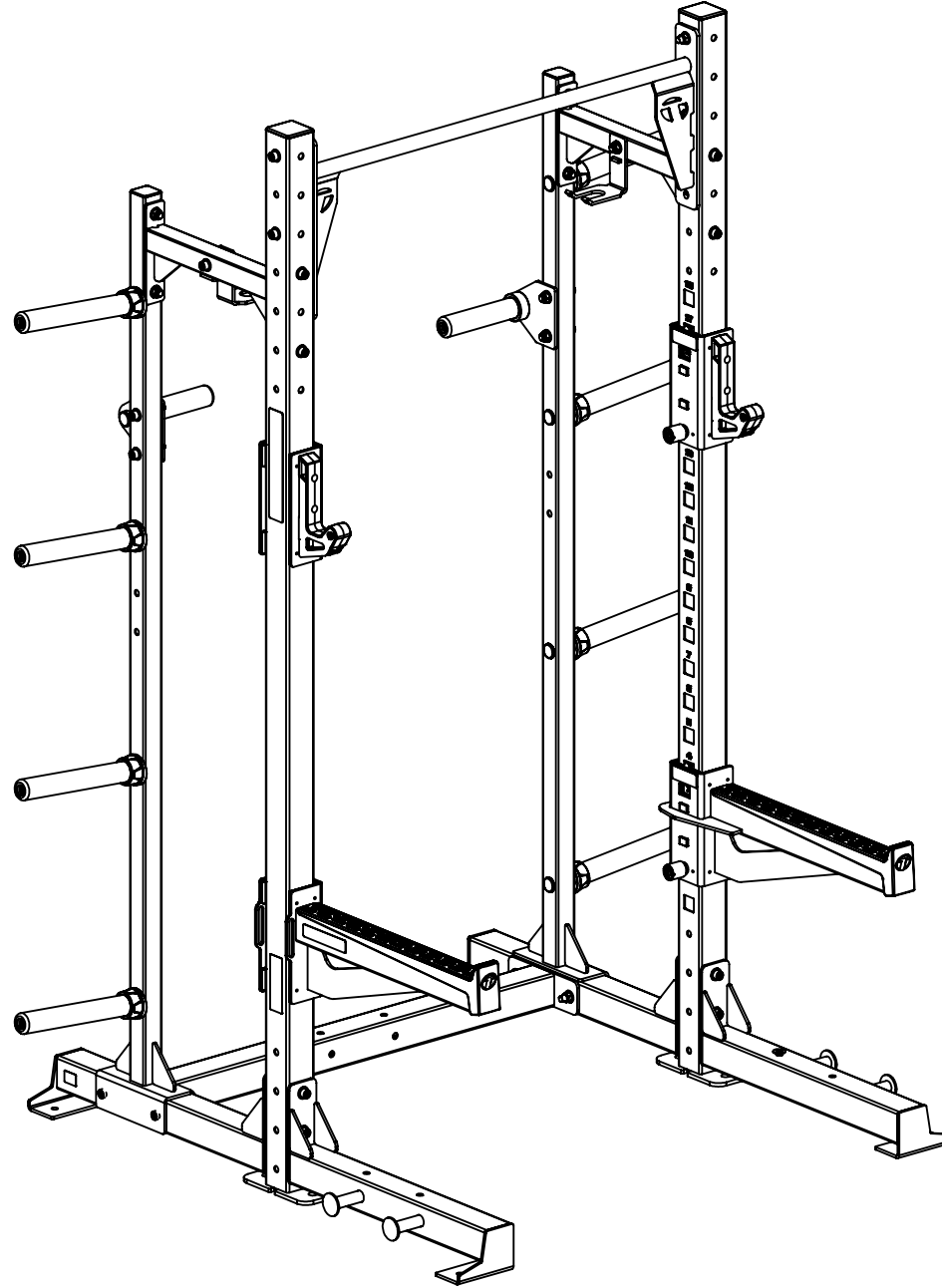


TR1 RACK ASSEMBLY GUIDE

VERSION: TR1-7SS, TR1-7HR, TR1-8HR, TR1-7DHRWS, TR1-8DHRWS

PART #: 5922401-A



TORQUE USA

WARNING !

Important safety instructions for using Equipment

There is a risk assumed by the individuals who use this type of equipment. To minimize risk, you must follow these precautions:

- **READ ALL INSTRUCTIONS AND WARNING LABELS COMPLETELY PRIOR TO ANY USE OR ASSEMBLY.** Failure to read and follow the safety instructions and warnings within the Assembly and Maintenance Guide may result in possible serious injury or death. Use this product only for the intended uses described in the Assembly and Maintenance Guide and exercise booklet. **DO NOT** modify equipment in anyway. **Any use other than as intended or modification of product will void any and all product warranties.**
- Consult your physician before starting any exercise program. Warm up properly before engaging in resistance training. Stop exercising and consult a physician immediately if you experience dizziness, nausea, faintness, chest pain, shortness of breath or any other abnormal symptoms during use of this equipment.
- Certain exercise equipment and/or equipment may not be suitable or appropriate for pregnant women, people with heart conditions, balance impairment or other pre-existing health problems. Persons with disabilities should consult a physician and obtain medical approval prior to using this product and should only use this product under close supervision. **Failure to comply with these instructions will void any and all product warranties.**
- Carefully inspect equipment before each use. Replace all parts at the first sign of wear or damage. Tighten all loose connections. Do not disassemble, remove any parts or components or otherwise attempt to repair this product. **DO NOT** use product if product appears damaged. **DO NOT** attempt to fix a broken or jammed machine. **Failure to comply with these instructions will void any and all product warranties.**
- Keep body and clothing clear of all moving parts. Do not put anything foreign on or near this product when in use. Wear comfortable clothing which does not impair freedom of movement. Do not wear clothing which is too loose and could get caught in moving parts.
- Make sure all spring pin adjustments are fully engaged after making an adjustment and before using the product.
- Children and pets must not be allowed near this machine. Supervise teenagers. This product is not a toy.
- If unsure of proper use of this product, contact Torque Fitness Customer service at: 763-754-7533 (8:30 am - 5:00 pm CST). or (1-866-664-9894).
www.service@torquefitness.com

Important Safety Instructions for Assembling Equipment

- **Assistance is required. Torque Fitness recommends using more than one person to assemble this equipment.**
- This product must be assembled on a flat, level surface to assure its proper function. Locate the unit away from walls or furniture to allow easy access during assembly and use.
- Read each numbered step in Assembly and Maintenance Guide and follow the steps in sequence. Skipping ahead may result in damage to the equipment and may require components to be disassembled.
- Wear proper attire during the assembly process. Do not wear clothing which is too loose or open toed shoes.

Obtaining Service

- Do not attempt to service the product yourself except for maintenance tasks described in this manual.
- Refer to the Adjustments and Maintenance section at the back of this manual for product operation and service.
- For further information, visit our website at www.torquefitness.com or contact us at www.service@torquefitness.com
- If you call or email customer service, have the model number and serial number(s) available.

GENERAL NOTES

CAUTION: More than one person is required to assemble this unit. Do not attempt to assemble by yourself.

Unpacking the Equipment

- This product may be packaged and shipped in multiple boxes. Parts from all of the boxes are required for various steps during the assembly process.
- Carefully open each box and arrange all the parts near the area where assembly is to take place.
- **CAUTION:** Use extreme care when cutting plastic tie wraps and package banding. A wire cutter works best for protecting yourself and the parts.
- **CAUTION:** Some of the internal boxes may contain upholstery. Do not use a utility knife to open any boxes or the pads may be damaged.
- The hardware is packed in bags. Carefully open each bag and sort them per parts list on the next page.
- Before starting assembly, identify each part and hardware item as listed in the parts list on the next page. If any items are missing, contact Torque Fitness Customer service at: 763-754-7533 (8:30 am - 5:00 pm CST). www.service@torquefitness.com
- **Note:** Some items listed in the parts list may already be pre-installed on the product.

Tools Required

- Rubber mallet or hammer
- 3/4" wrench
- Ratchet with 3/4" socket
- 3/8" Allen wrench
- Allen wrench set
- Wire snips (to cut plastic tie wraps)
- Scissors or utility knife (to cut hardware bags)
- Step stool or ladder
- Tape measure

Optional Equipment

- Optional equipment may be available for this product.
- Follow the instructions included with the optional equipment to assemble it to the base product.

Assembly Tips

- In a continual effort to improve our products, specifications are subject to change.
- A 6" scale is provided at the bottom of every page. To correctly measure the bolts, measure from underneath the bolt head to the end of the bolt as illustrated below.
- Read all notes on each page before beginning that step.
- Some of the items shown in the assembly steps may already be pre-assembled.

Assembly Tips Continued

- **Note:** Some items have been hidden for assembly clarity.
- **Note:** Some pre-assembled parts may need to be temporarily removed in order to complete the step. Follow the instructions or damage to the product could occur.
- Some parts may have extra holes that will not be used. Use only the holes depicted in the instructions.
- Certain parts make reference to the right and left side of the machine. For this product, left and right is determined by facing the product.
- Provide ample space around the product for ease of assembly.
- **DO NOT** fully tighten any connections until instructed to do so. This will help insure that the alignment of all of the parts will be correct.
- Insert all bolts in the direction indicated in the instructions. Failure to do so may result in clearance issues and will degrade the aesthetics of the product.
- Carefully follow instructions for all pivot points. In general, primary rotating parts have connections that should be securely tightened, while secondary connections need to be loosen 1/4 turn.

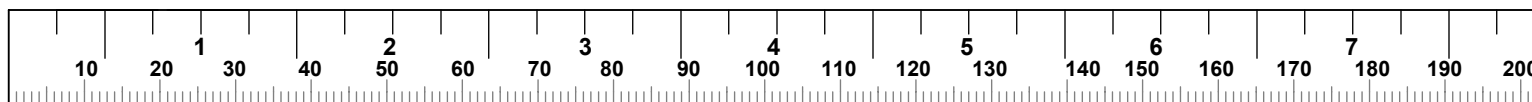


TABLE OF CONTENTS:

- Warnings: Page 3
- General Notes: Page 4

Base Rack Assembly

- 7' Squat Stand Assembly: Pages 5 - 10
- 7' / 8' Half Rack Assembly: Pages 11 - 21
- 7' / 8' Dual Half Rack with 6' Storage: Pages 22 - 35

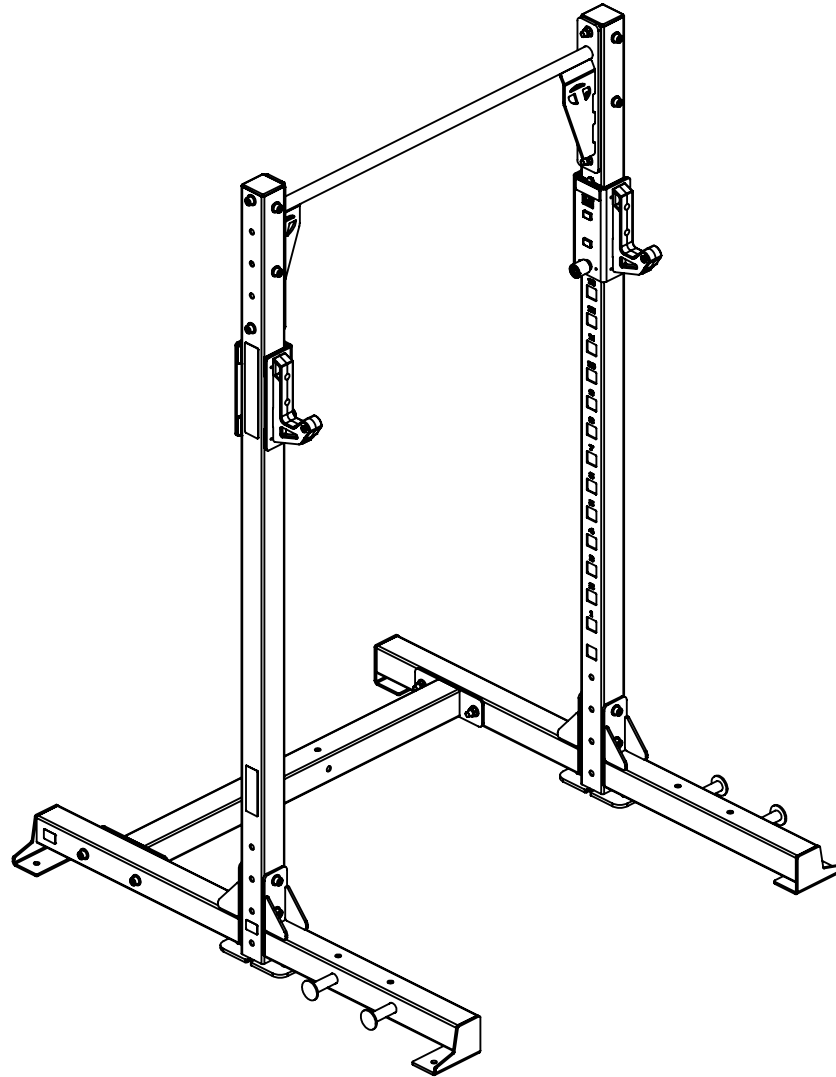
Attachment Assembly

- Bar catch and bar support: Page 37
- Bar catch hanging storage: Pages 38 - 39
- Hanging storage hooks: Page 40
- Dip step attachment anchor: Page 41
- Ground rotational trainer: Page 42
- Battle rope anchor: Page 43
- Upper band peg attachments: Page 44
- Heavy bag mount: Pages: 45 - 46
- Relentless rope trainer: Pages 47 - 48

Anchoring: Page 49

Maintenance: Page 50

TR1 7' SQUAT STAND



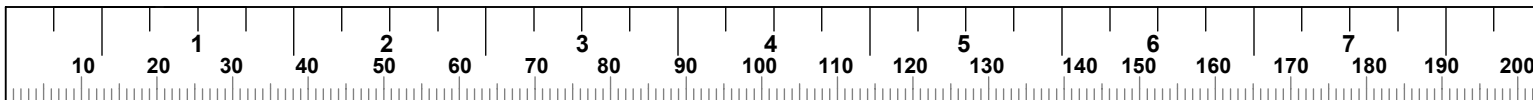
ITEM NO.	PART NUMBER	DESCRIPTION	QTY
1	5880201	WLDMT, BASE CONNECTOR	1
2	5879701	WLDMT, FRONT LEFT BASE	1
3	58798PA	PTD ASSY, REAR LEFT BASE	1
4	5879501	WLDMT, FRONT RIGHT BASE	1
5	5879601	WLDMT, REAR RIGHT BASE	1
6	2005816	BOLT, 1/2-13 X 4-1/4" (108mm) SOCKET HEAD	20
7	2001301	WASHER, FLAT 1/2 SAE ST ZN	40
8	2001401	NUT, 1/2-13 LK ST ZN	20
9	58465PA *	PTD ASSY, 7' UPRIGHT	2
10	XRACK-4SX-101**	4 FT (1.2 M) SINGLE CROSS (STORM GREY)	1
11	59166PA	PTD ASSY, RIGHT BAR SUPPORT	1
12	59167PA	PTD ASSY, LEFT BAR SUPPORT	1

NOTES:

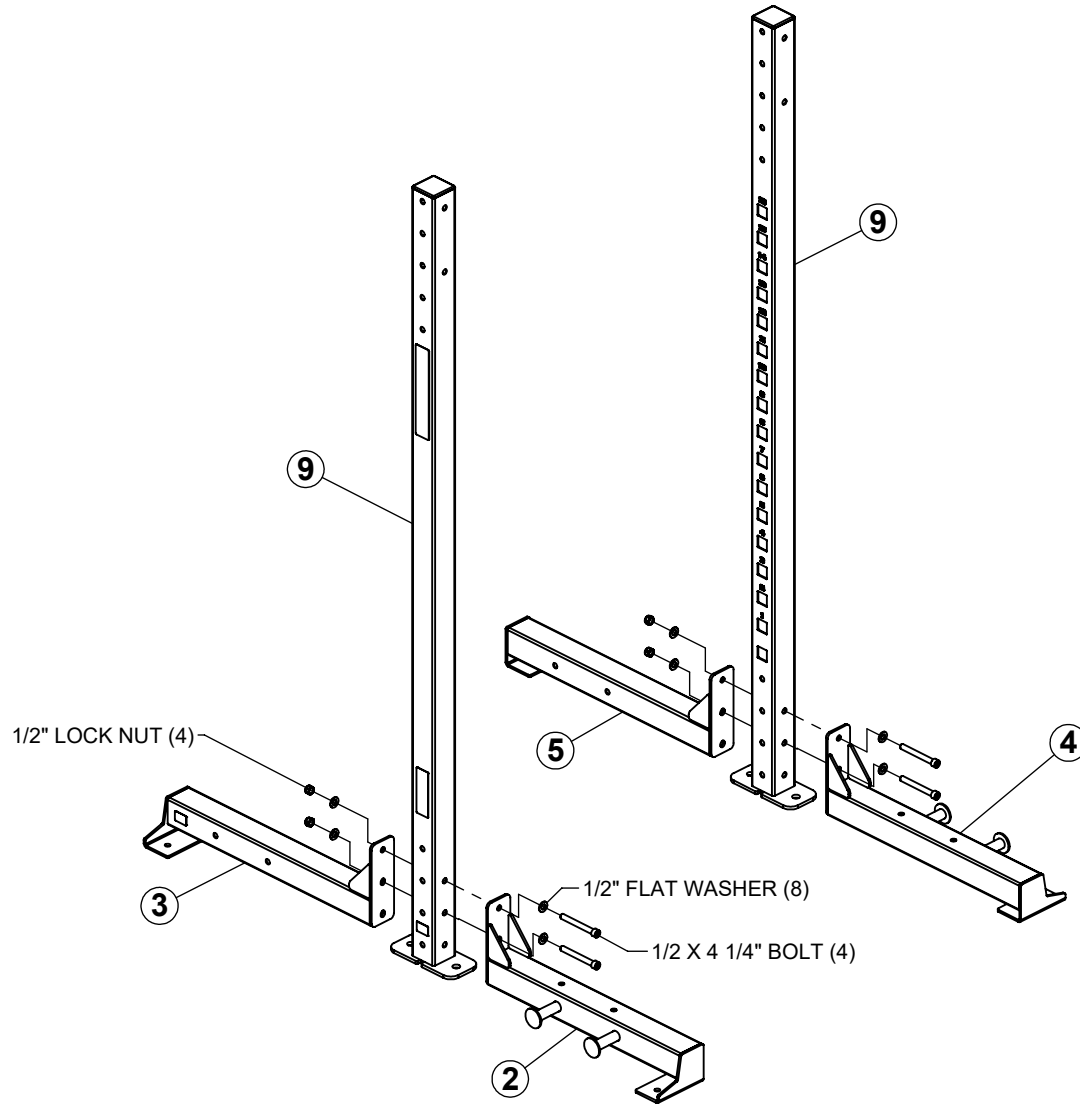
The BOM above represents the base rack only. Options and attachments will be listed individually in each step.

* Can be substituted for the 8' uprights.

** Other pullup options available.

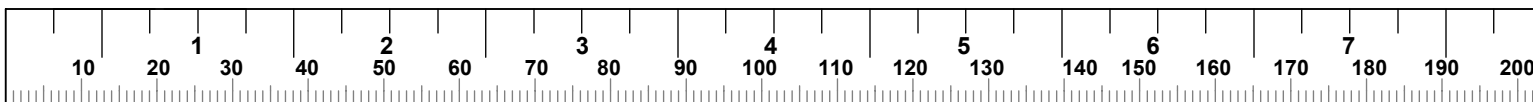


STEP 1 - SQUAT STAND

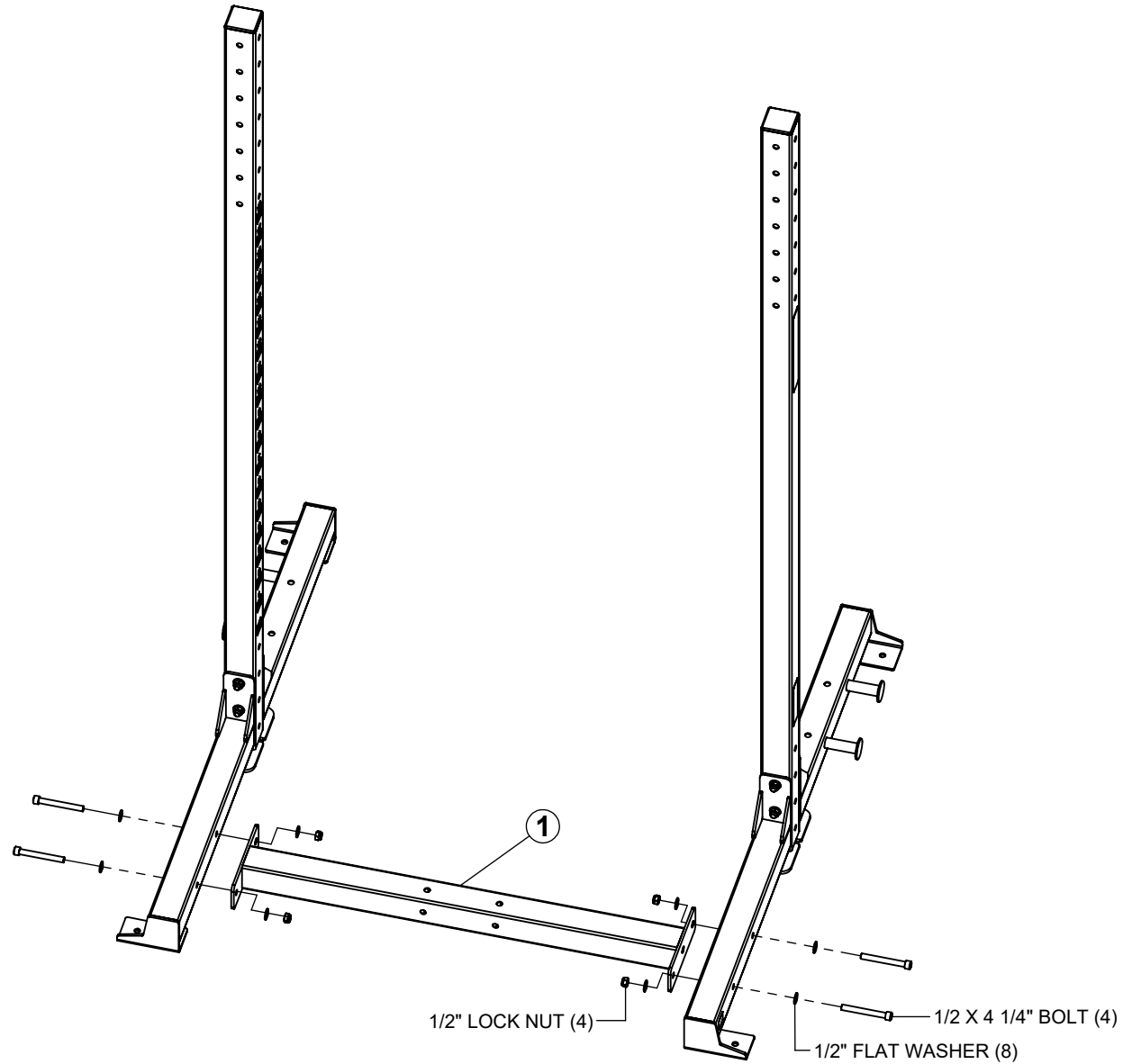


NOTE:

LOOSELY tighten bolt connections in this step.

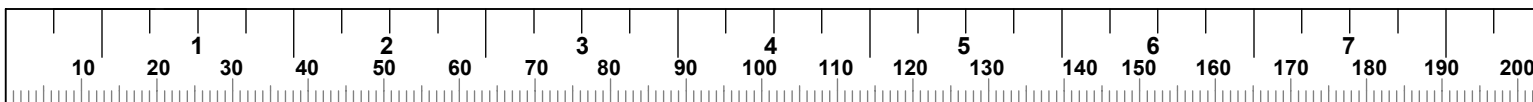


STEP 2 - SQUAT STAND

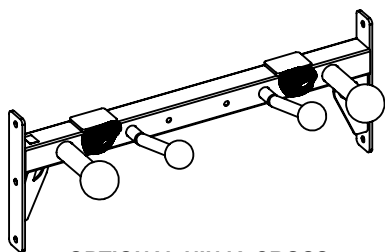


NOTE:

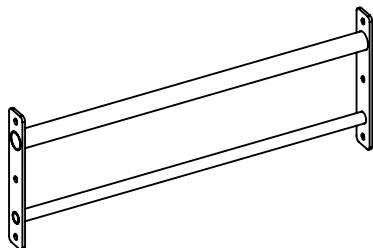
LOOSELY tighten bolt connections in this step.



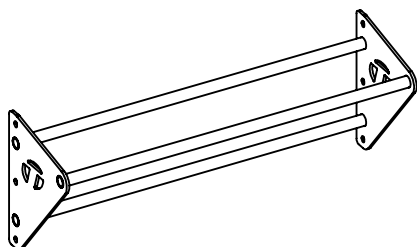
STEP 3A - SQUAT STAND



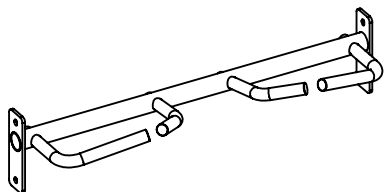
OPTIONAL NINJA CROSS



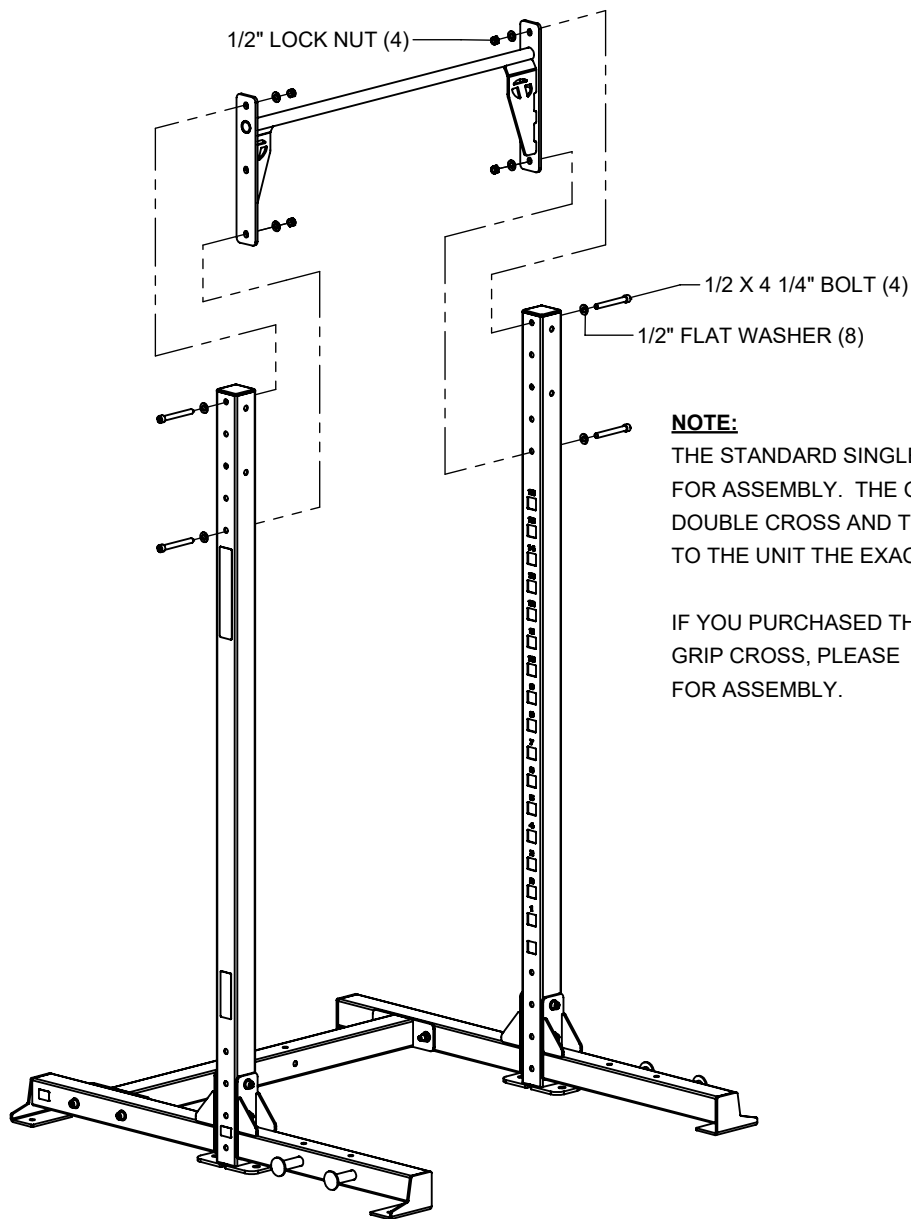
OPTIONAL DOUBLE CROSS



OPTIONAL TRIPLE CROSS



OPTIONAL MULTI GRIP CROSS
(SEE NEXT PAGE FOR ASSEMBLY)



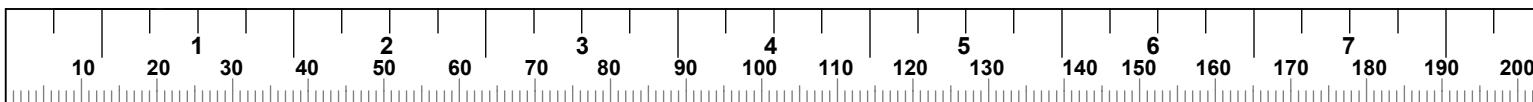
NOTE:

THE STANDARD SINGLE CROSS IS SHOWN FOR ASSEMBLY. THE OPTIONAL NINJA CROSS, DOUBLE CROSS AND TRIPLE CROSS ASSEMBLE TO THE UNIT THE EXACT SAME WAY.

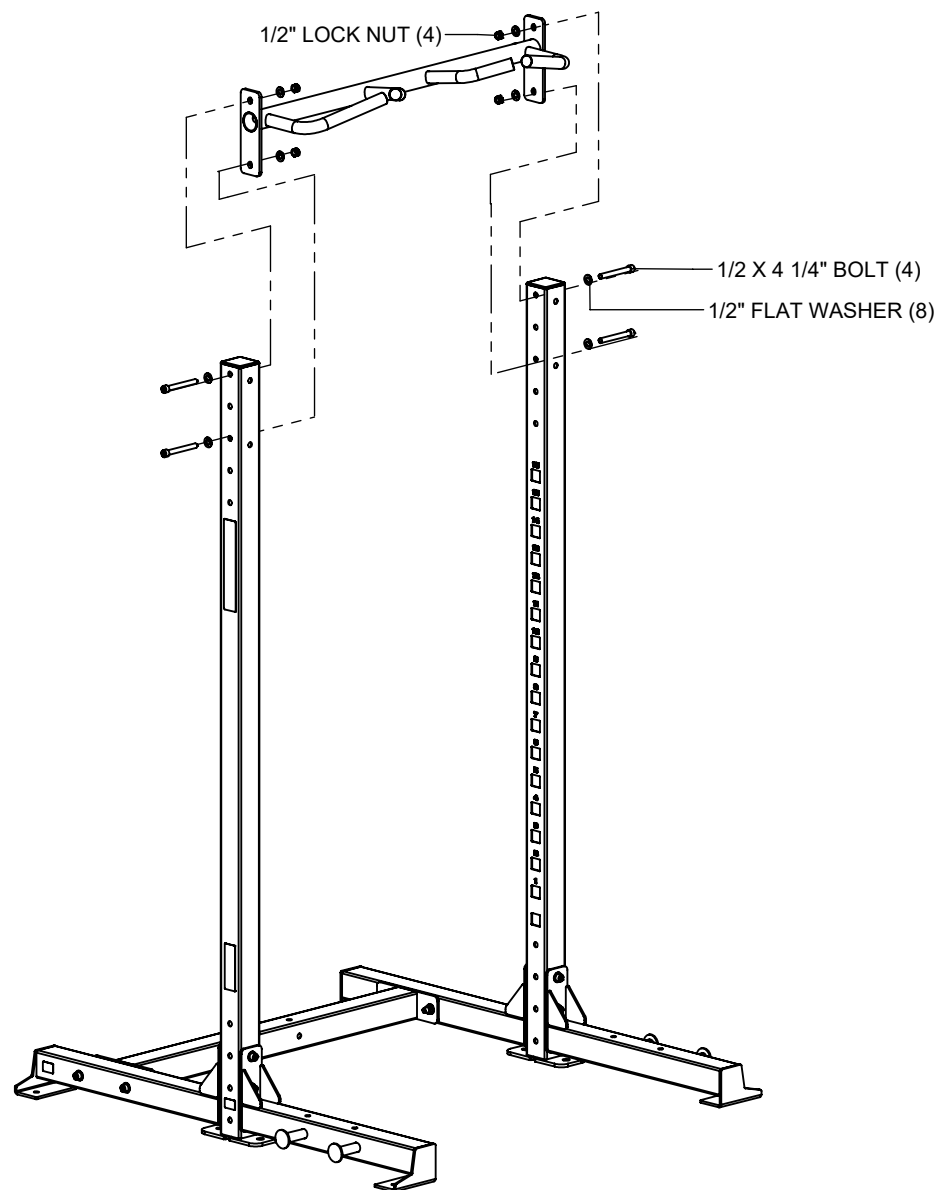
IF YOU PURCHASED THE OPTIONAL MULTI GRIP CROSS, PLEASE REFER TO NEXT PAGE FOR ASSEMBLY.

NOTE:

SECURELY tighten all bolt connections in this step and previous steps.

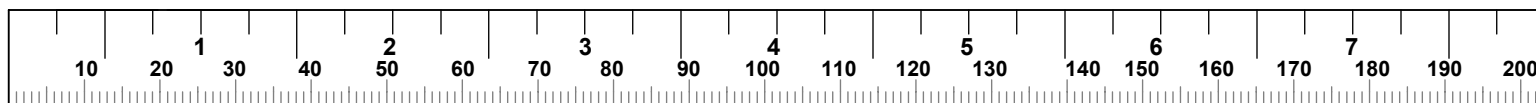


STEP 3B - SQUAT STAND

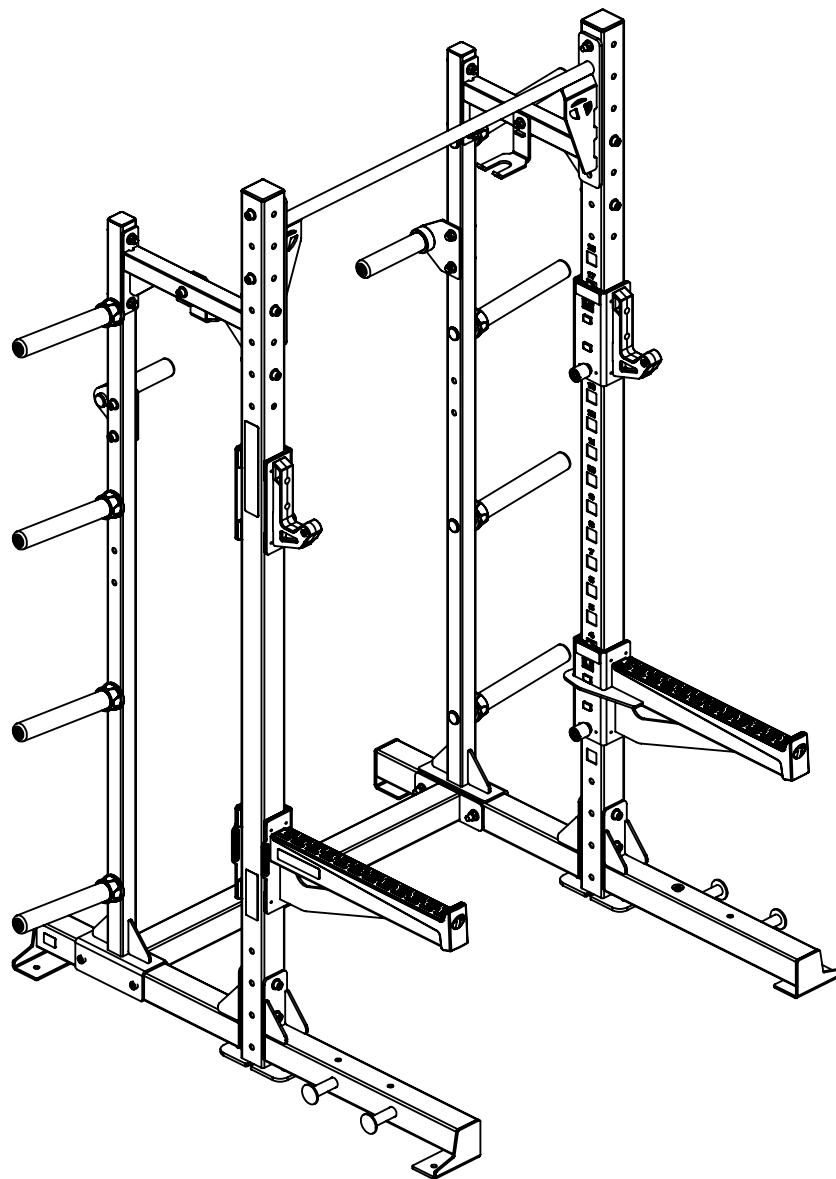


NOTE:

SECURELY tighten all bolt connections in this step and previous steps.



TR1 HALF RACK



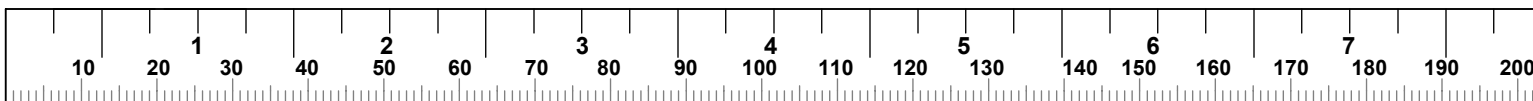
ITEM NO.	PART NUMBER	DESCRIPTION	QTY
1	5880201	WLDMT, BASE CONNECTOR	1
2	5879701	WLDMT, FRONT LEFT BASE	1
3	58798PA	PTD ASSY, REAR LEFT BASE	1
4	5879501	WLDMT, FRONT RIGHT BASE	1
5	5879601	WLDMT, REAR RIGHT BASE	1
6	2005816	BOLT, 1/2-13 X 4-1/4" (108mm) SOCKET HEAD	16
7	2001301	WASHER, FLAT 1/2 SAE ST ZN	52
8	2001401	NUT, 1/2-13 LK ST ZN	26
9	58808PA	PTD ASSY, ARSENAL WEIGHT STORAGE	2
10	5881201	WLDMT, UPRIGHT CONNECTOR	2
11	58805PA	PTD ASSY, CHANGE PLATE HORN	2
12	5881601	WLDMT, BAR STORAGE	2
13	2005811	BOLT, 1/2-13 X 3" (76mm) SOCKET HEAD	10
14	58274PA *	PTD ASSY, 8' UPRIGHT	2
15	56967PA	PTD ASSY, RIGHT BAR SUPPORT	1
16	56975PA	PTD ASSY, LEFT BAR SUPPORT	1
17	57018PA	PTD ASSY, LEFT BAR CATCH	1
18	57013PA	PTD ASSY, RIGHT BAR CATCH	1
19	XRACK-4SX-101 **	4 FT (1.2 M) SINGLE CROSS (STORM GREY)	1

NOTES:

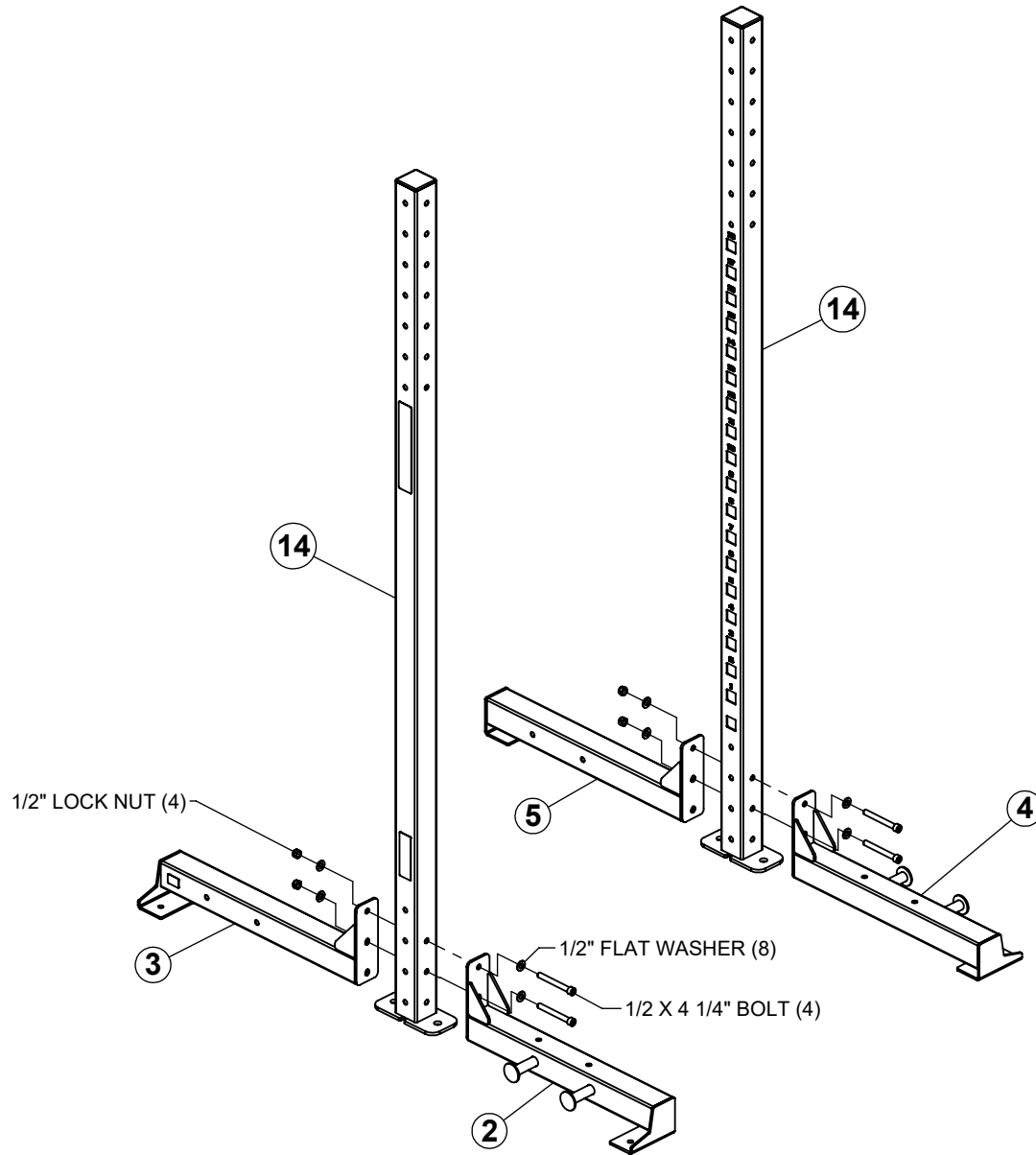
The BOM above represents the base rack only. Options and attachments will be listed individually in each step.

* Can be substituted for the 7' uprights.

** Other pullup options available.



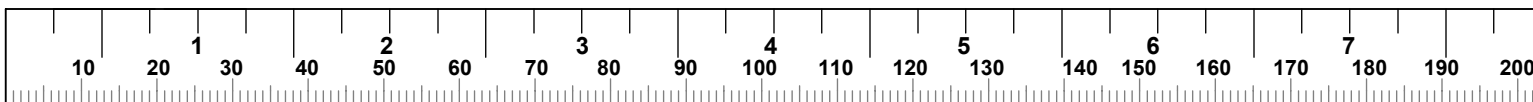
STEP 1 - 7' AND 8' HALF RACK



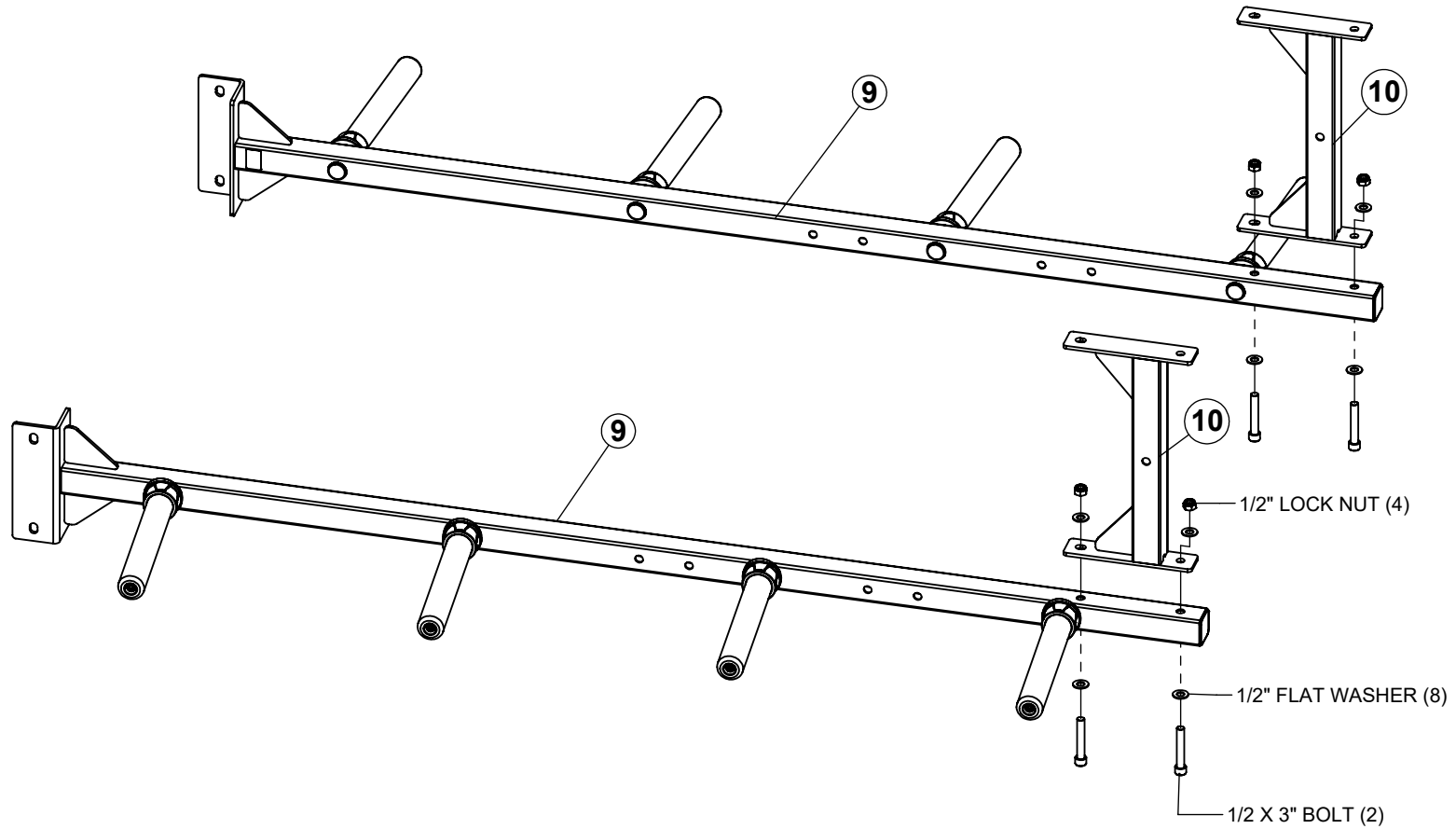
NOTE:

FOLLOW THE EXACT SAME STEPS FOR ASSEMBLING THE 7' HALF RACK

LOOSELY tighten bolt connections in this step.



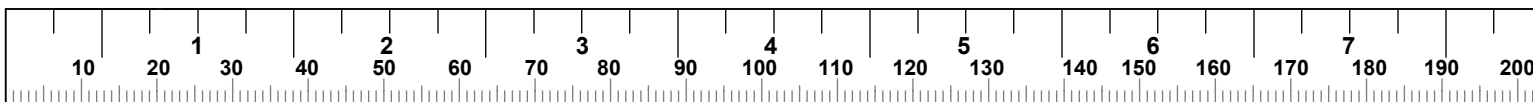
STEP 2 - 7' AND 8' HALF RACK



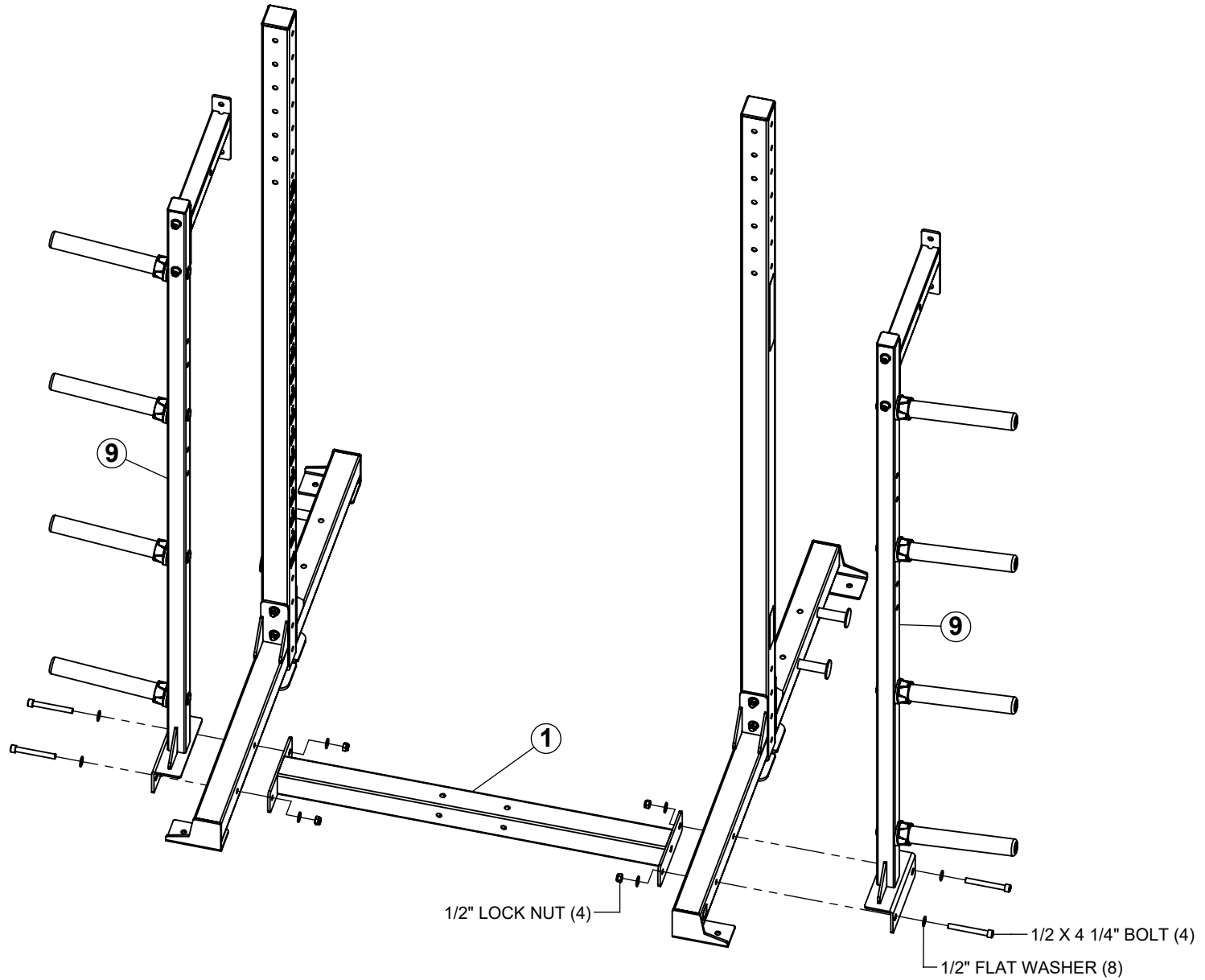
NOTE:

FOLLOW THE EXACT SAME STEPS FOR ASSEMBLING THE 7' HALF RACK

LOOSELY tighten bolt connections in this step.



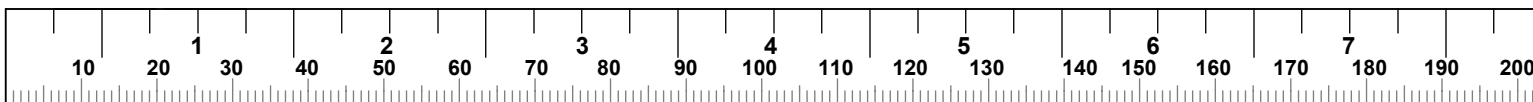
STEP 3 - 7' AND 8' HALF RACK



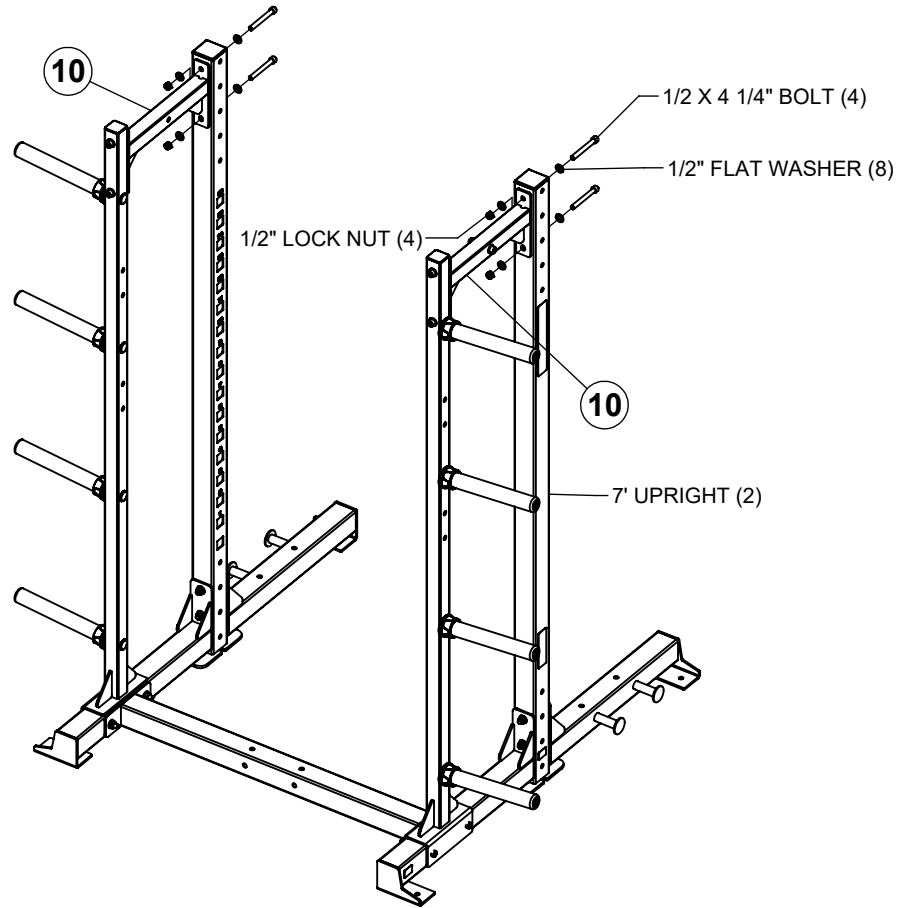
NOTE:

FOLLOW THE EXACT SAME STEPS FOR ASSEMBLING THE 7' HALF RACK

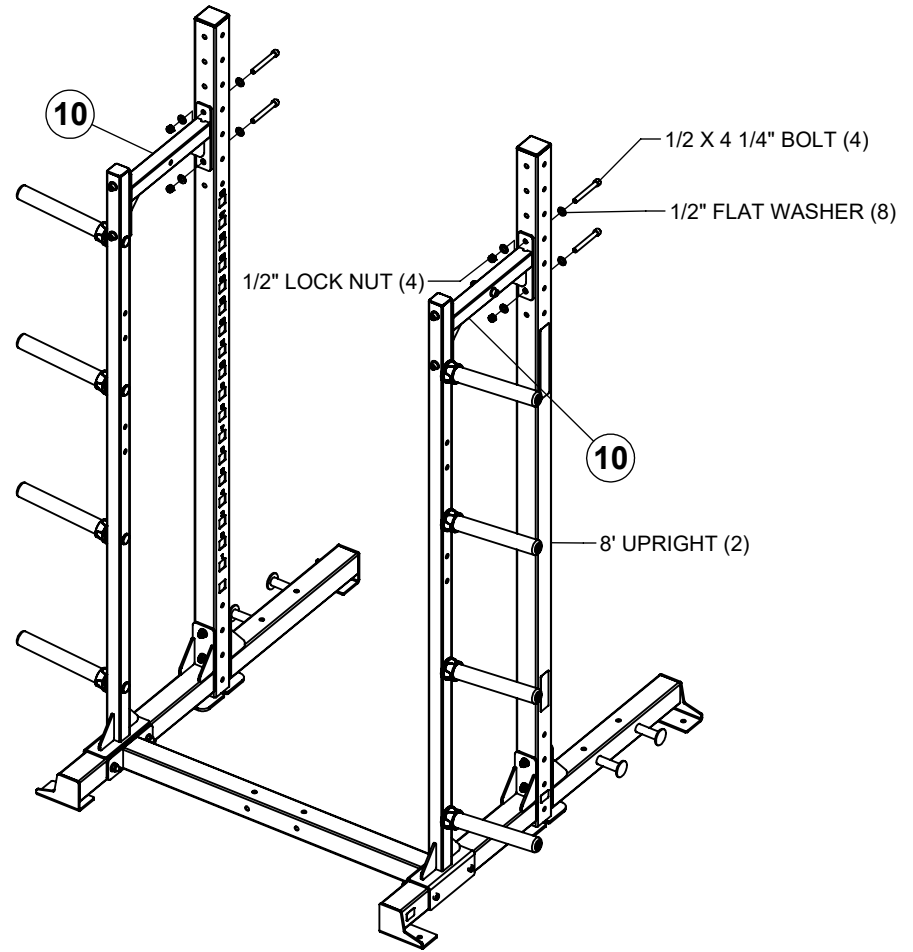
LOOSELY tighten bolt connections in this step.



STEP 4 - 7' AND 8' HALF RACK



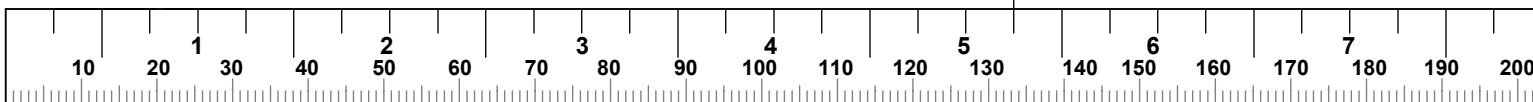
7' UPRIGHT ASSEMBLY



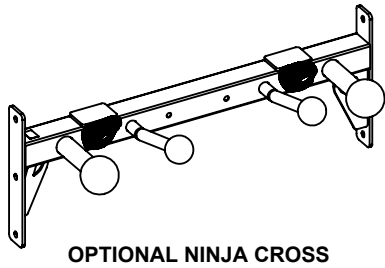
8' UPRIGHT ASSEMBLY

NOTE:

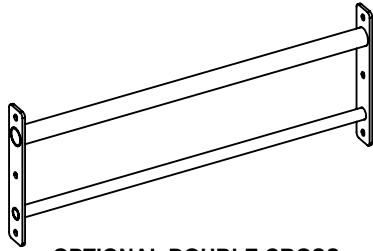
SECURELY tighten all bolts in this step and previous steps.



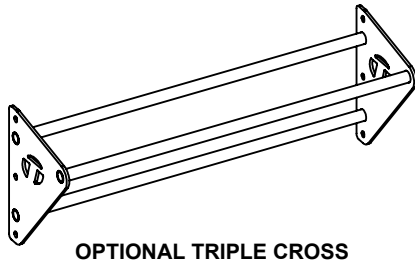
STEP 5A - 8' HALF RACK



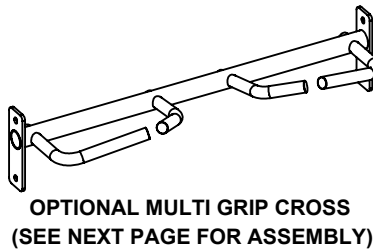
OPTIONAL NINJA CROSS



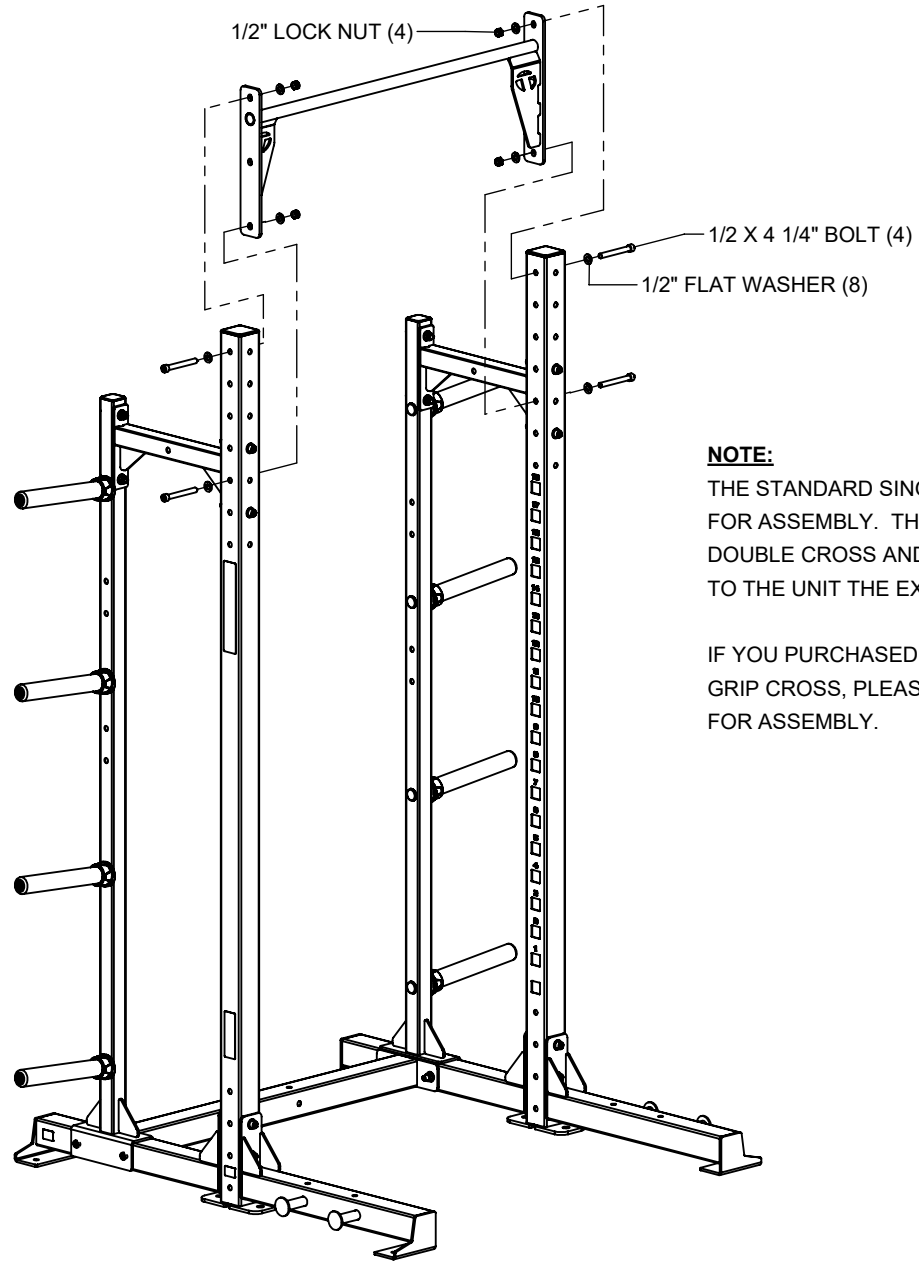
OPTIONAL DOUBLE CROSS



OPTIONAL TRIPLE CROSS



OPTIONAL MULTI GRIP CROSS
(SEE NEXT PAGE FOR ASSEMBLY)



NOTE:

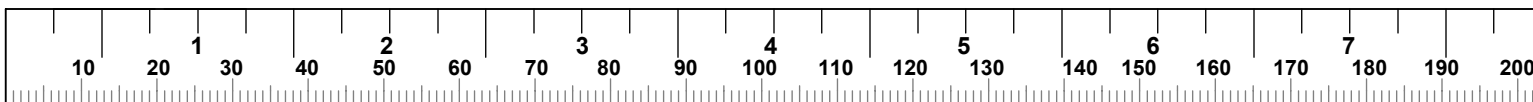
THE STANDARD SINGLE CROSS IS SHOWN FOR ASSEMBLY. THE OPTIONAL NINJA CROSS, DOUBLE CROSS AND TRIPLE CROSS ASSEMBLE TO THE UNIT THE EXACT SAME WAY.

IF YOU PURCHASED THE OPTIONAL MULTI GRIP CROSS, PLEASE REFER TO NEXT PAGE FOR ASSEMBLY.

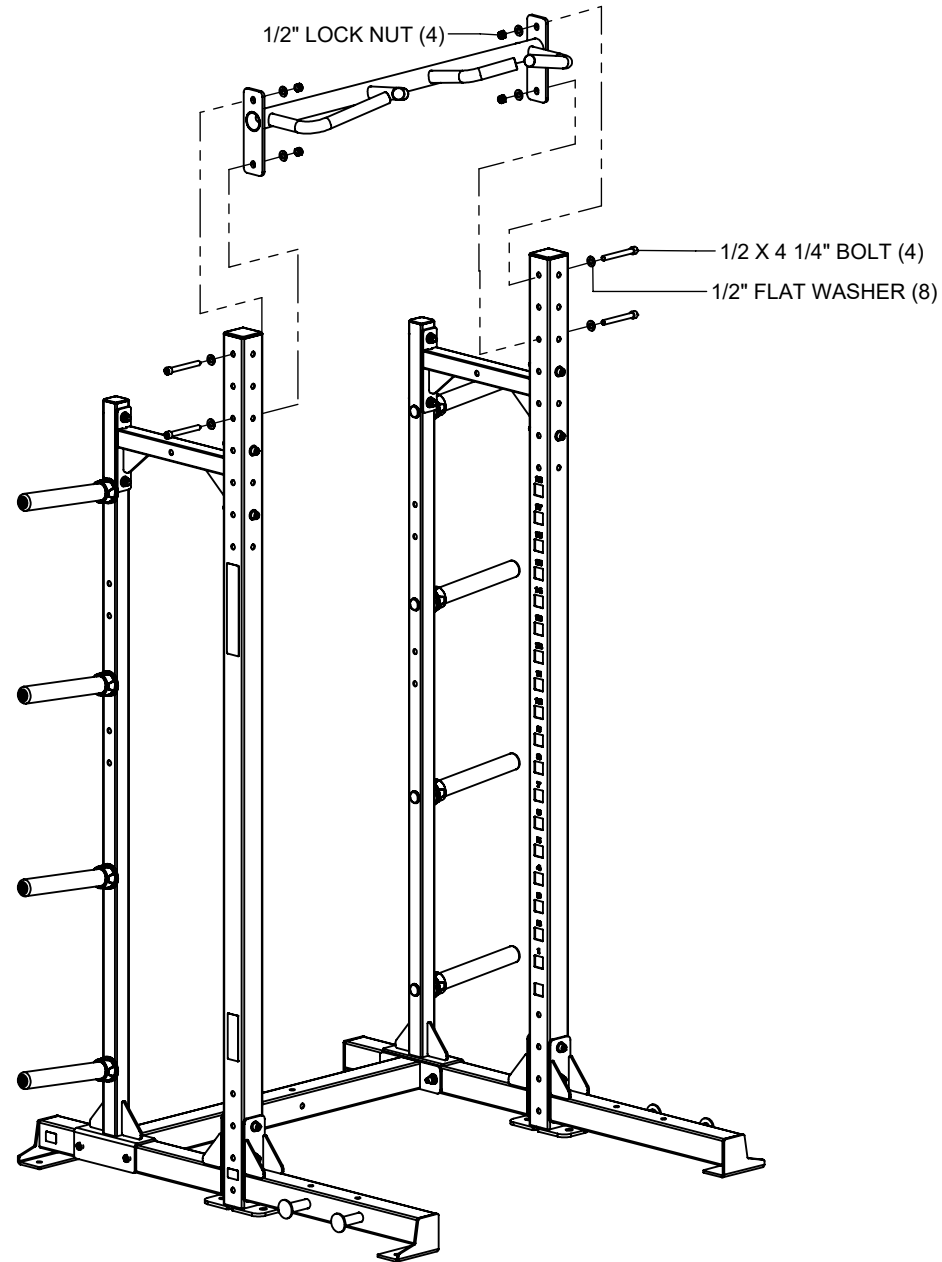
NOTE:

SEE STEP 5C FOR ASSEMBLING THE 7' UPRIGHT.

SECURELY tighten all bolt connections in this step and previous steps.



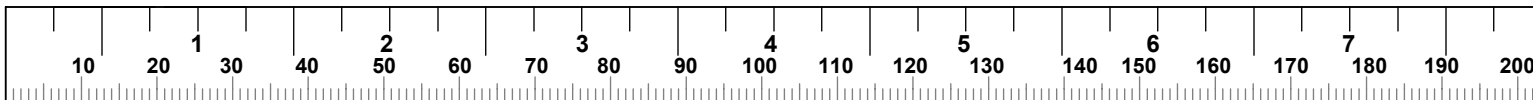
STEP 5B - 8' HALF RACK



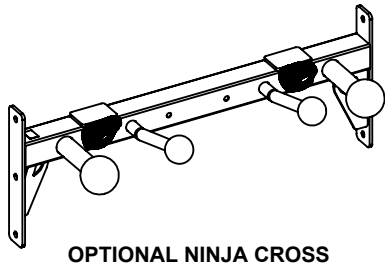
NOTE:

SEE STEP 5D FOR ASSEMBLING THE 7' UPRIGHT

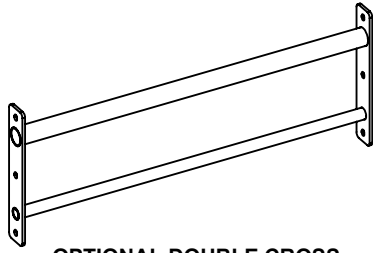
SECURELY tighten all bolt connections in this step and previous steps.



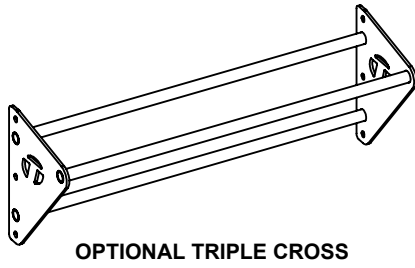
STEP 5C - 7' HALF RACK



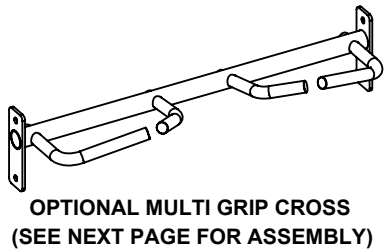
OPTIONAL NINJA CROSS



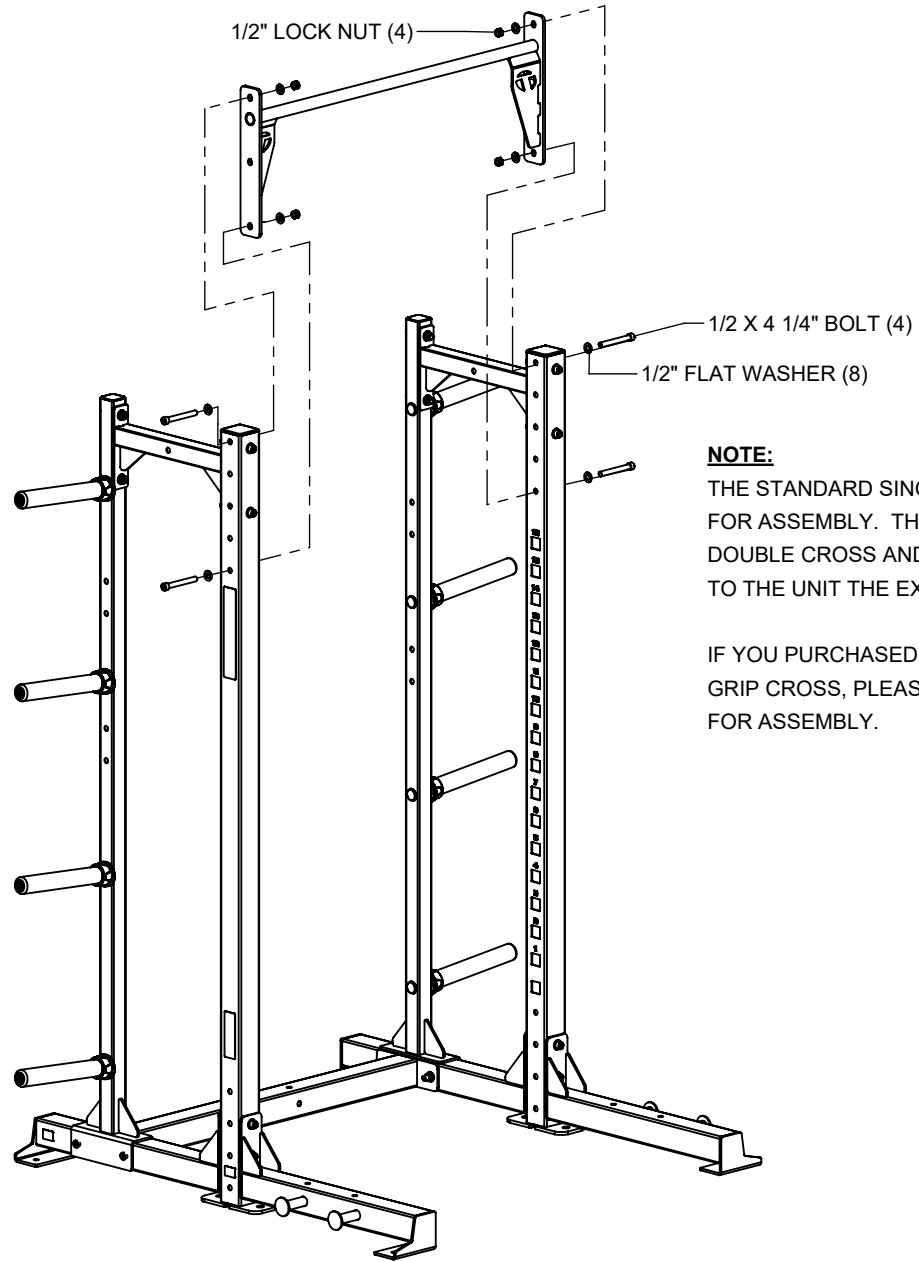
OPTIONAL DOUBLE CROSS



OPTIONAL TRIPLE CROSS



OPTIONAL MULTI GRIP CROSS
(SEE NEXT PAGE FOR ASSEMBLY)



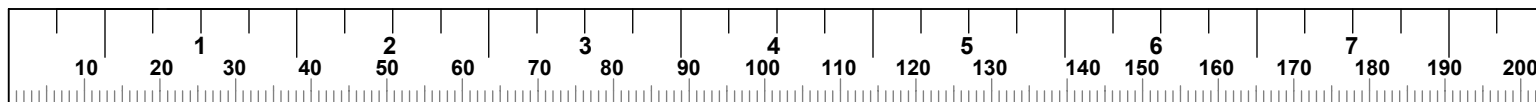
NOTE:

THE STANDARD SINGLE CROSS IS SHOWN FOR ASSEMBLY. THE OPTIONAL NINJA CROSS, DOUBLE CROSS AND TRIPLE CROSS ASSEMBLE TO THE UNIT THE EXACT SAME WAY.

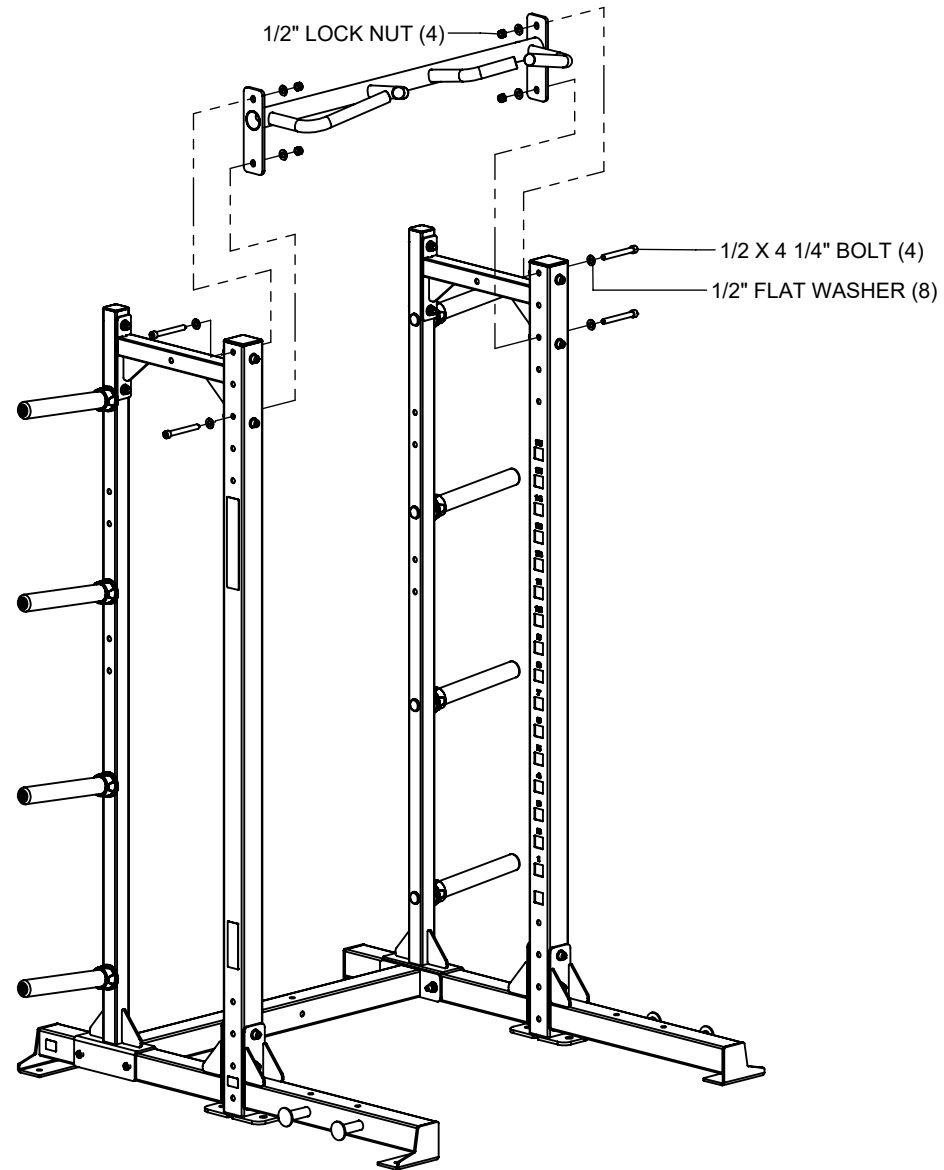
IF YOU PURCHASED THE OPTIONAL MULTI GRIP CROSS, PLEASE REFER TO NEXT PAGE FOR ASSEMBLY.

NOTE:

SECURELY tighten all bolt connections in this step and previous steps.

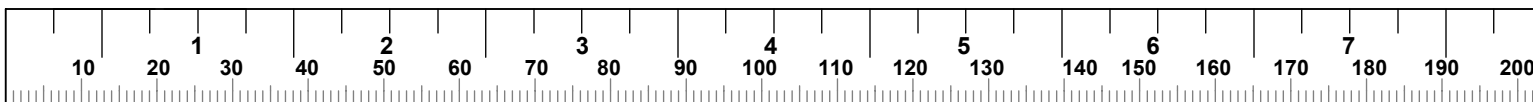


STEP 5D - 7' HALF RACK

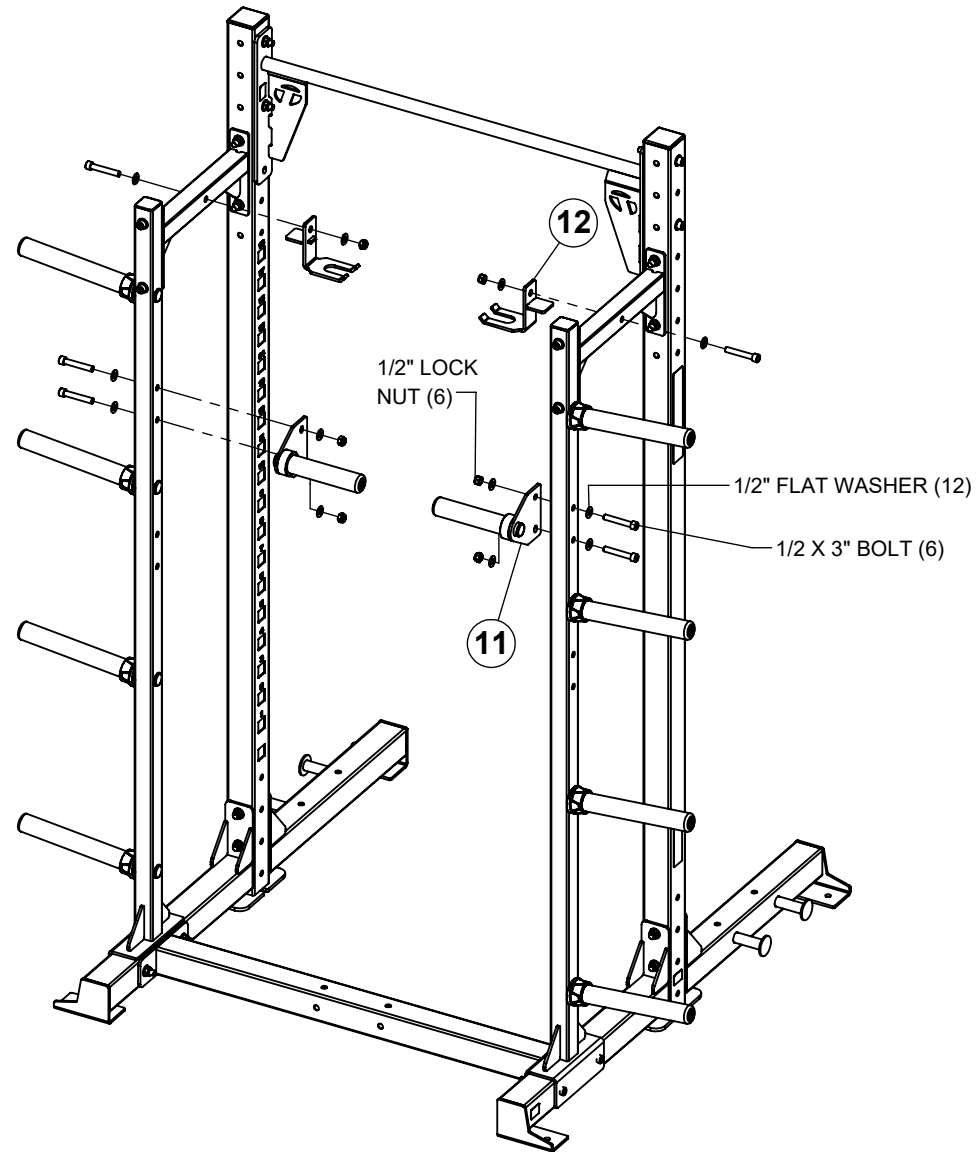


NOTE:

SECURELY tighten all bolt connections in this step and previous steps.



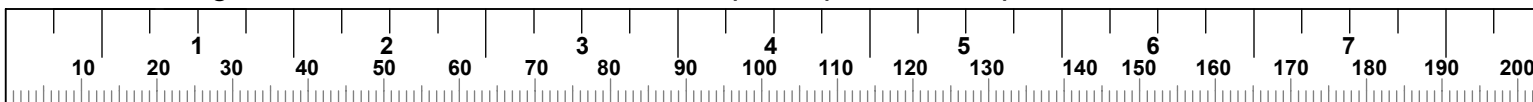
STEP 6 - 7' AND 8' HALF RACK



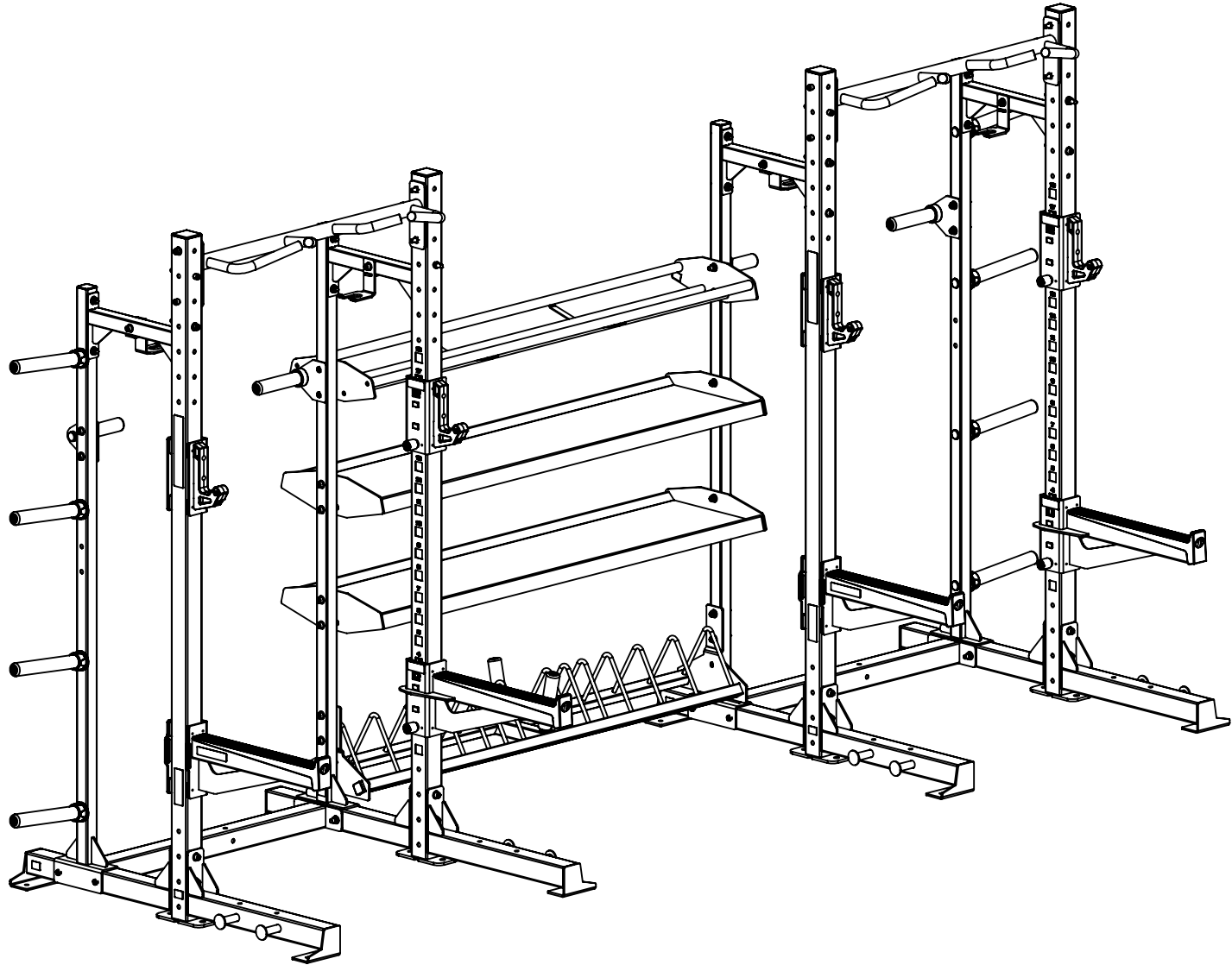
NOTE:

FOLLOW THE EXACT SAME STEPS FOR ASSEMBLING THE 7' HALF RACK

SECURELY tighten all bolt connections in this step and previous steps.



TR1 DUAL HALF RACK WITH STORAGE



ITEM NO.	PART NUMBER	DESCRIPTION	QTY
1	5880201	WLDMT, BASE CONNECTOR	2
2	5879701	WLDMT, FRONT LEFT BASE	2
3	58798PA	PTD ASSY, REAR LEFT BASE	2
4	5879501	WLDMT, FRONT RIGHT BASE	2
5	5879601	WLDMT, REAR RIGHT BASE	2
6	2005816	BOLT, 1/2-13 X 4-1/4" (108mm) SOCKET HEAD	32
7	2001301	WASHER, FLAT 1/2 SAE ST ZN	128
8	2001401	NUT, 1/2-13 LK ST ZN	64
9	58274PA *	PTD ASSY, 8' UPRIGHT	4
10	58808PA	PTD ASSY, ARSENAL WEIGHT STORAGE	2
11	5881201	WLDMT, UPRIGHT CONNECTOR	4
12	58805PA	PTD ASSY, CHANGE PLATE HORN	4
13	5881601	WLDMT, BAR STORAGE	4
14	2005811	BOLT, 1/2-13 X 3" (76mm) SOCKET HEAD	28
15	58810PA	PTD ASSY, ARSENAL ACCESSORY STORAGE	2
16	2005812	BOLT, 1/2-13 X 3-1/4" (83mm) SOCKET HEAD	4
17	59166PA	PTD ASSY, RIGHT BAR SUPPORT	2
18	59167PA	PTD ASSY, LEFT BAR SUPPORT	2
19	58974PA	PTD ASSY, HANGING BAR CATCH, LEFT	2
20	58973PA	PTD ASSY, HANGING BAR CATCH, RIGHT	2
21	XRACK-4SX-101 **	4 FT (1.2 M) SINGLE CROSS (STORM GREY)	2
22	XCREATE-6BBS-101 ***	6 FT (1.8 M) BUMPER BOOKSHELF STORAGE (STORM GREY)	1
23	XCREATE-6TRAY-101 ***	6 FT (1.8 M) TRAY (STORM GREY)	2
24	XCREATE-6BS-103 ***	6 FT (1.8 M) BALL STORAGE (STORM GREY)	1

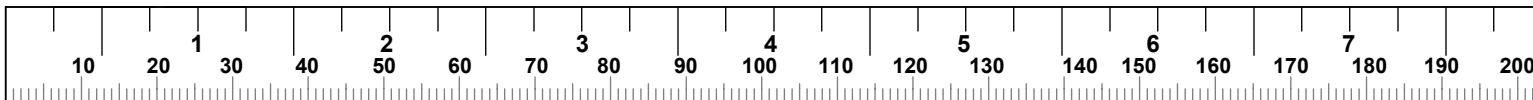
NOTES:

The BOM above represents the base rack with 6' storage only. Options and attachments will be listed individually in each step.

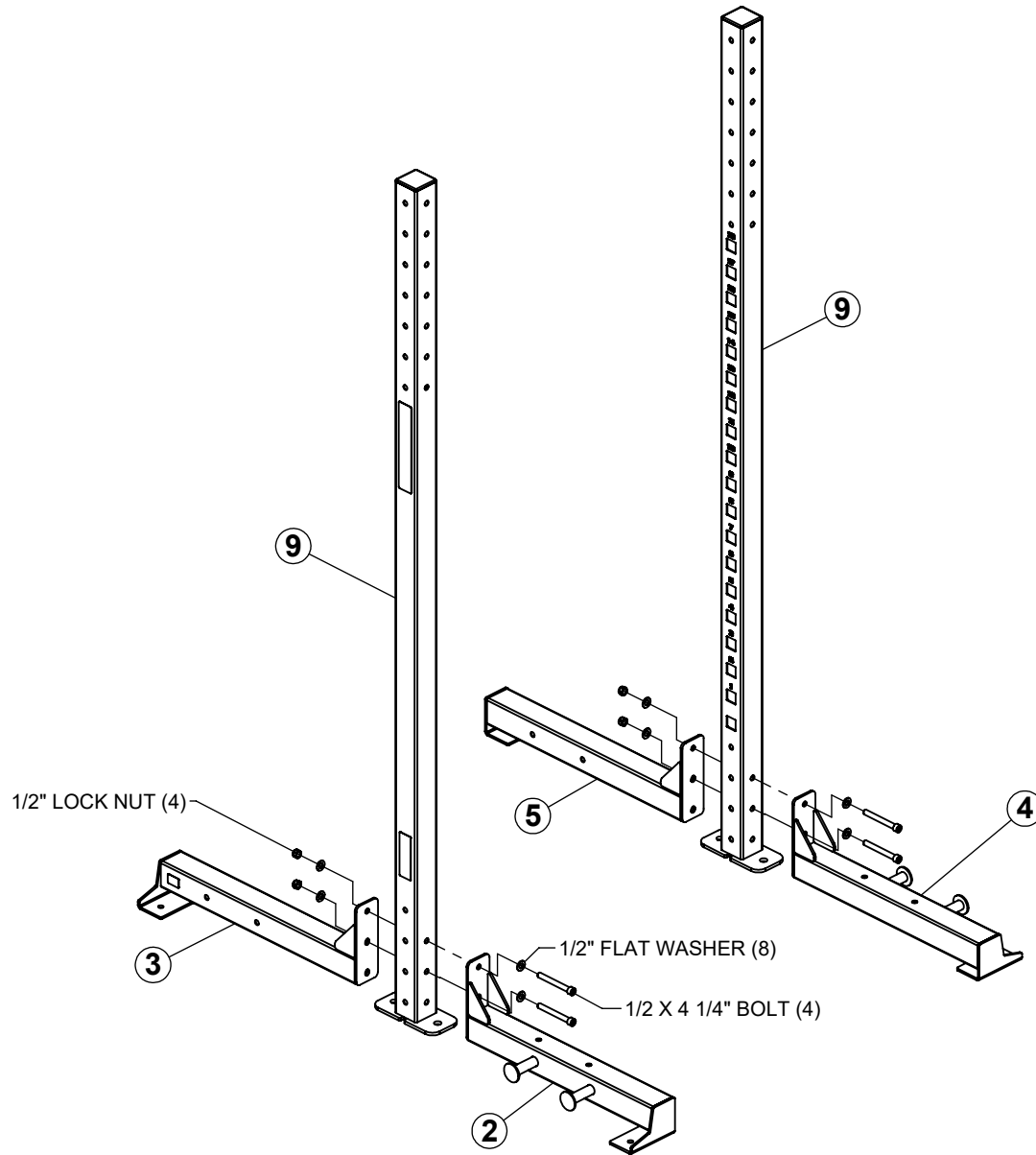
* Can be substituted for the 7' uprights.

** Other pullup options available.

*** Other storage options and configurations available



STEP 1 - 7' AND 8' DUAL HALF RACK WITH STORAGE

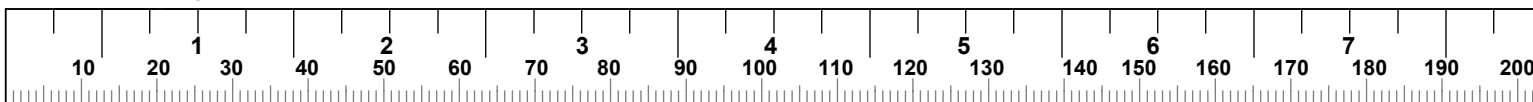


NOTE:

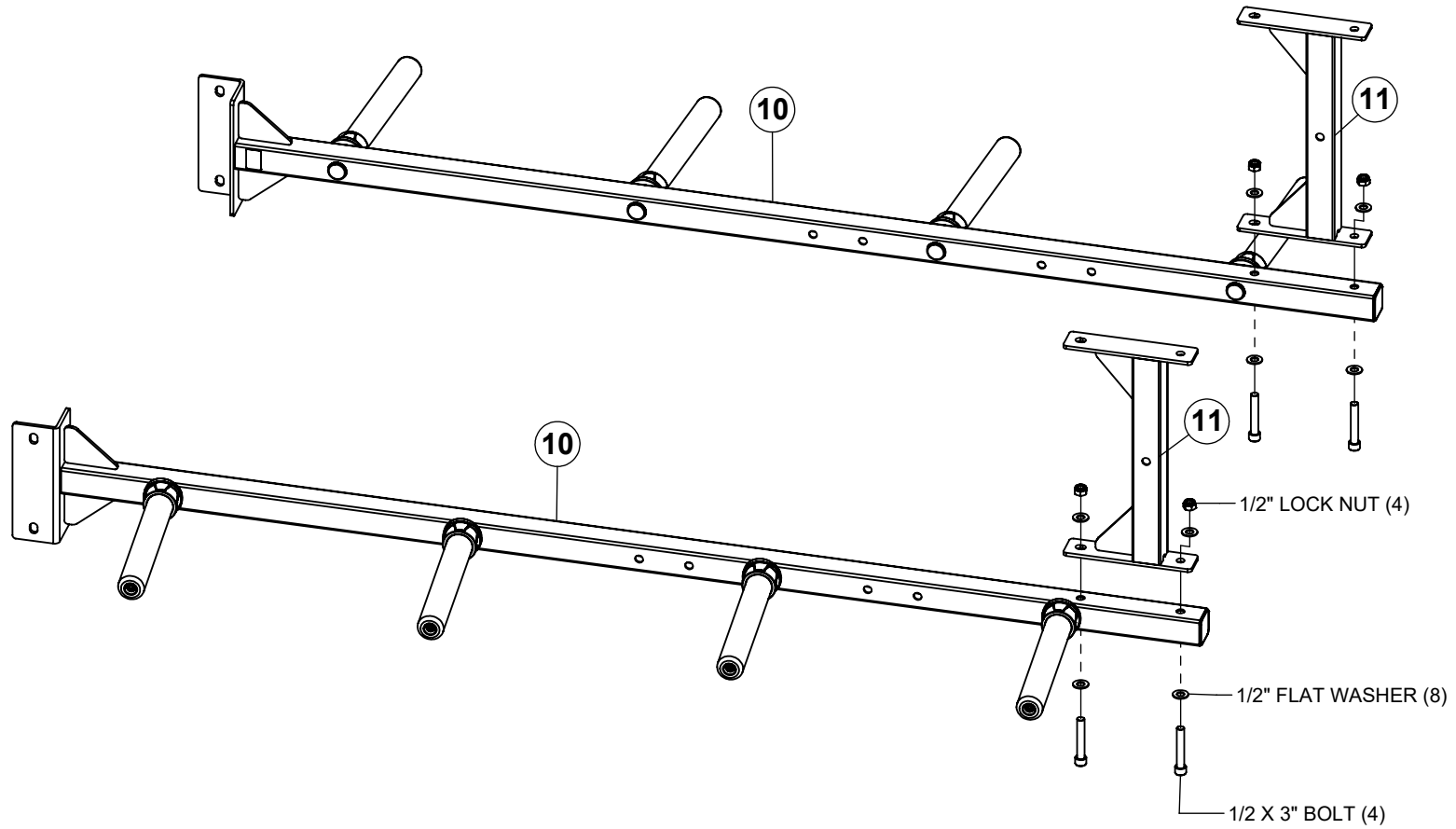
Repeat this step 2X for both half racks.

FOLLOW THE EXACT SAME STEPS FOR ASSEMBLING THE 7' HALF RACKS

LOOSELY tighten bolt connections in this step.

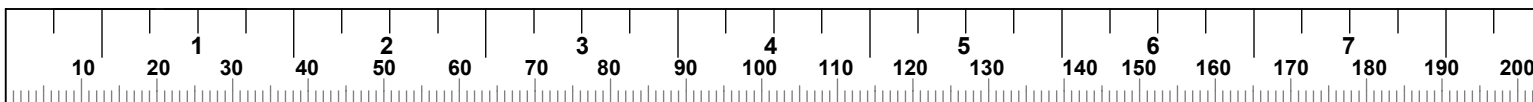


STEP 2 - 7' AND 8' DUAL HALF RACK WITH STORAGE

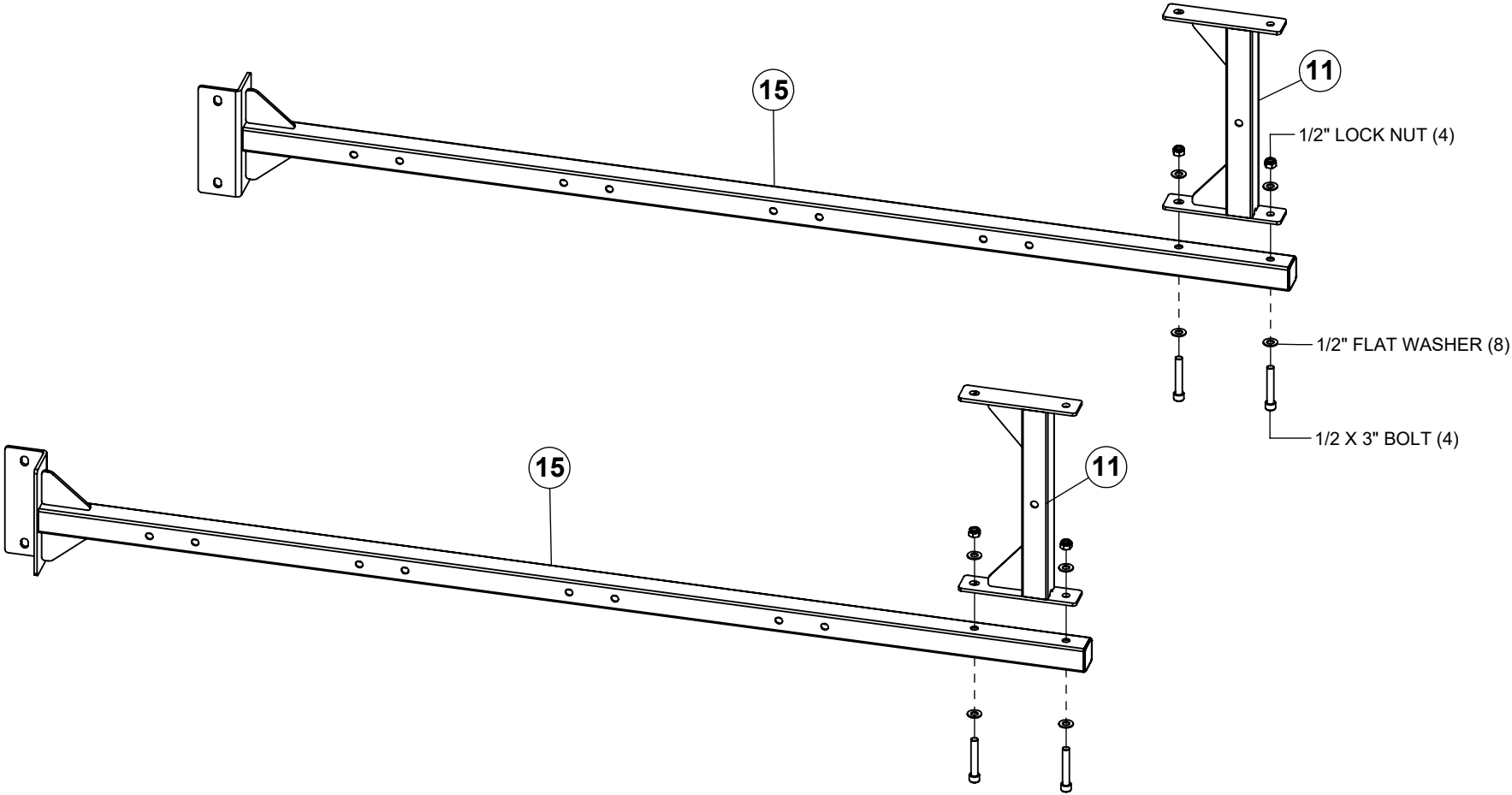


NOTE:

LOOSELY tighten bolt connections in this step.

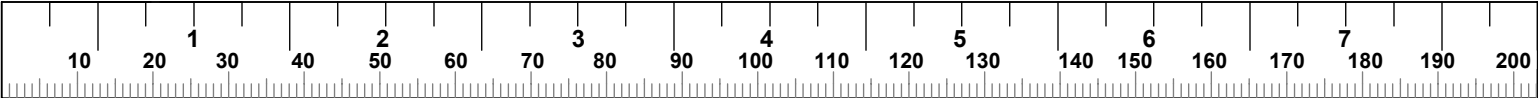


STEP 3 - 7' AND 8' DUAL HALF RACK WITH STORAGE

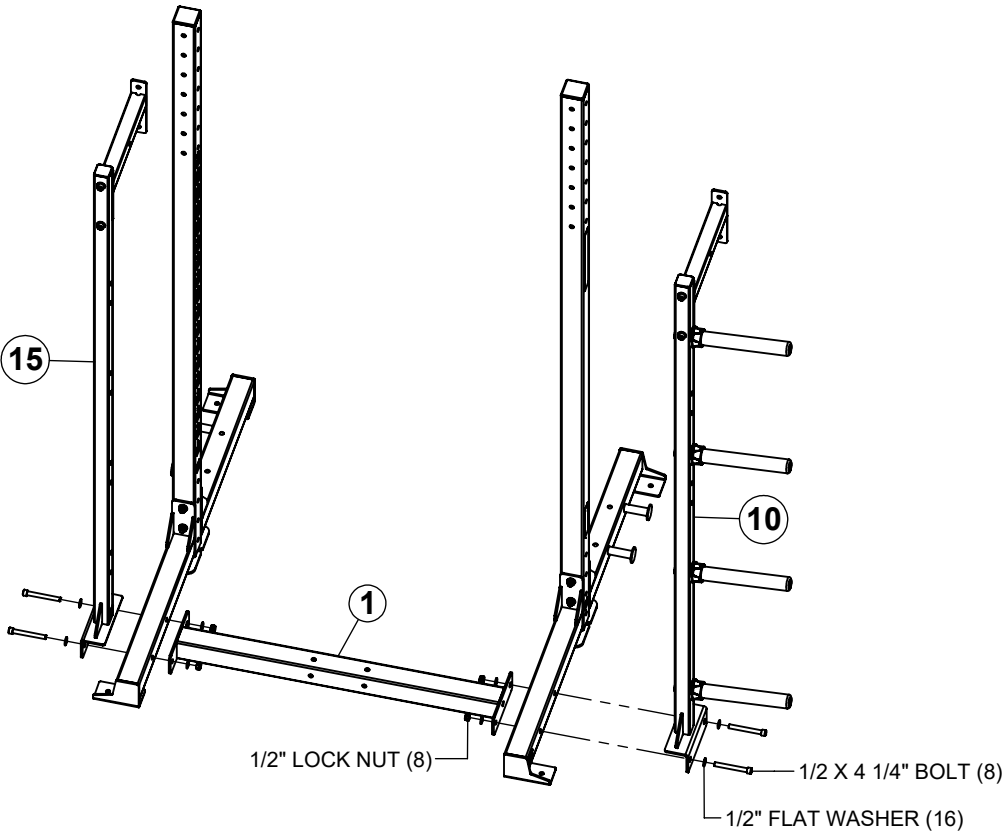
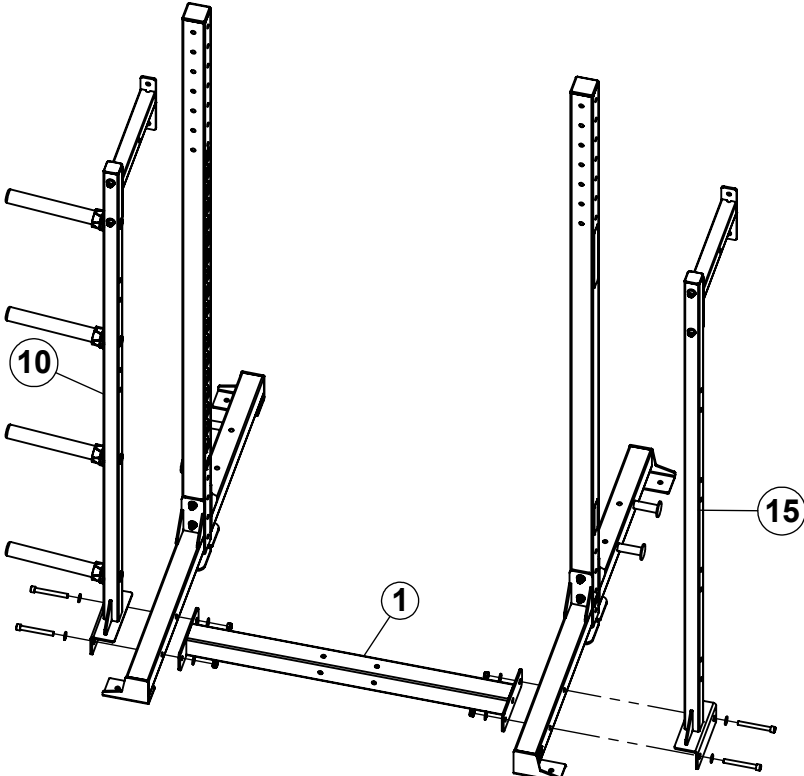


NOTE:

LOOSELY tighten bolt connections in this step.



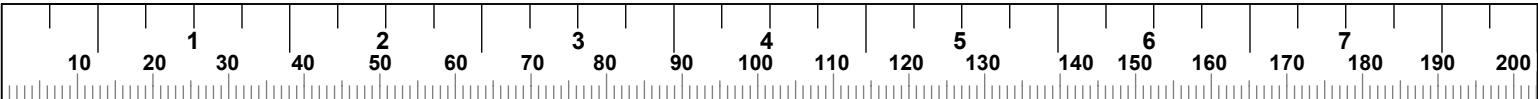
STEP 04 - DUAL HALF RACK & STORAGE



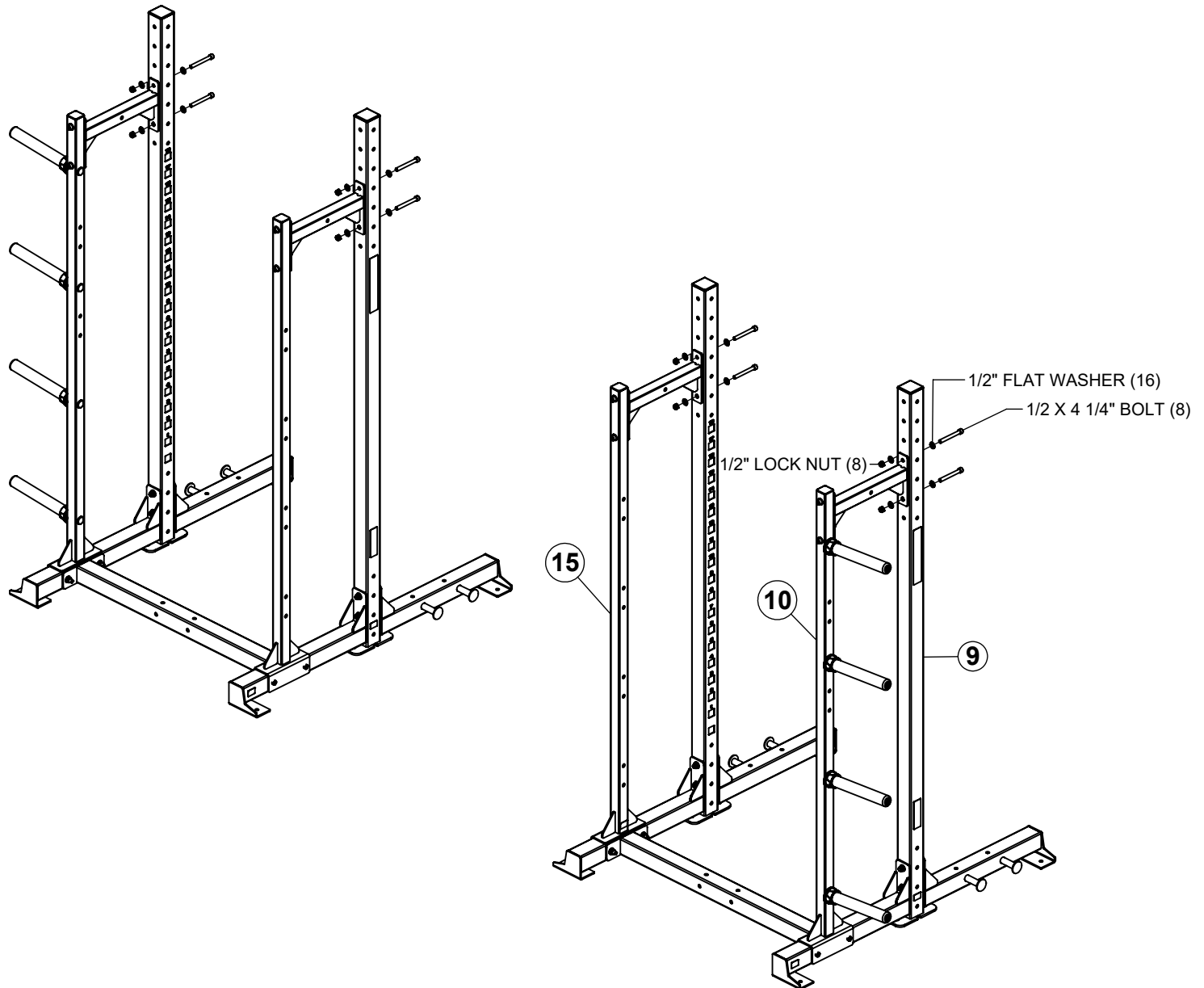
NOTE:

FOLLOW THE EXACT SAME STEPS FOR ASSEMBLING THE 7' DOUBLE HALF RACK.

LOOSELY tighten bolt connections in this step.



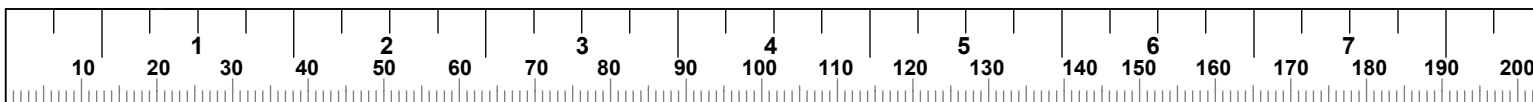
STEP 05A - 8' DUAL HALF RACK WITH STORAGE



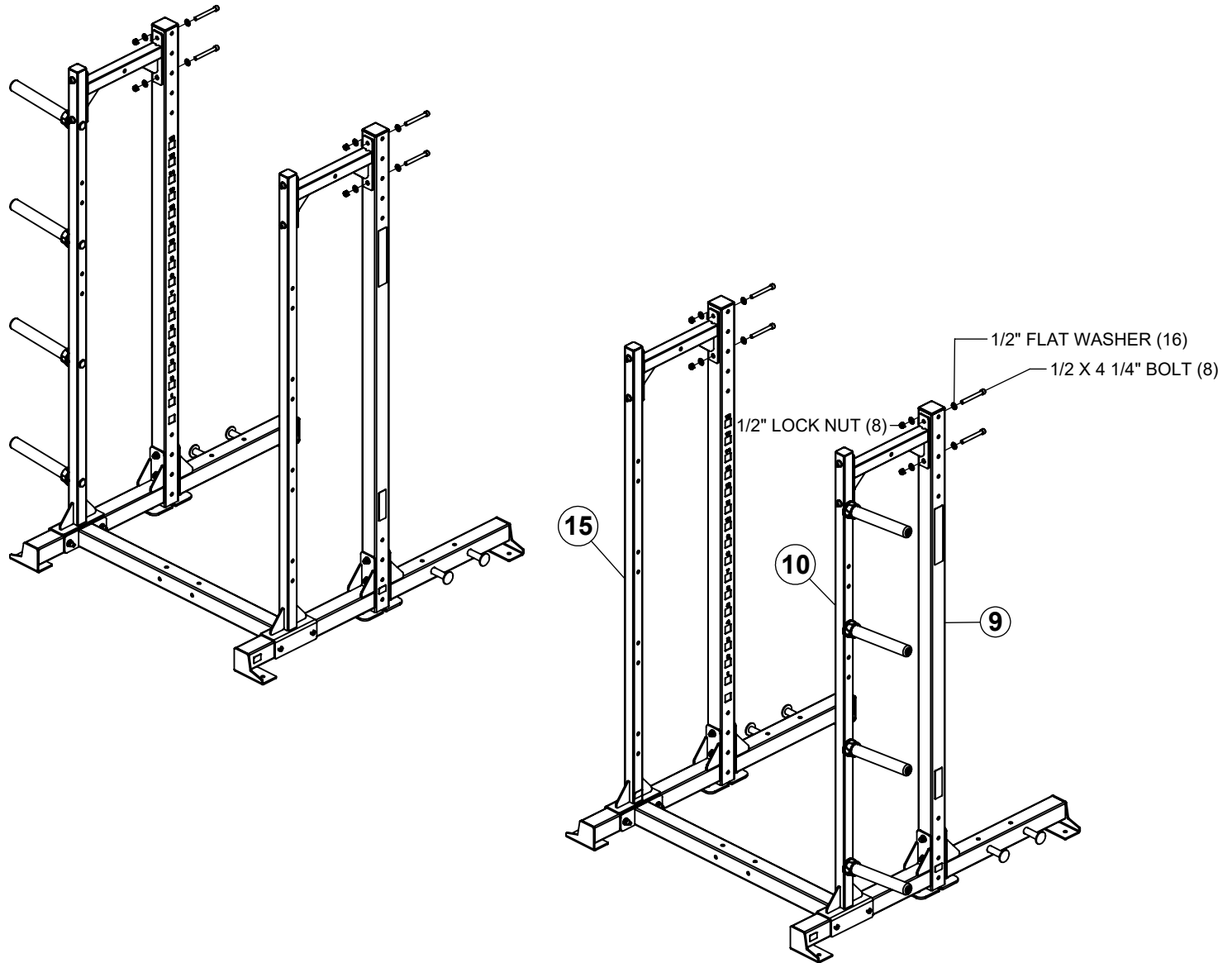
NOTE:

8' UPRIGHTS SHOWN, SEE NEXT STEP FOR ASSEMBLING THE 7' DOUBLE HALF RACK.

LOOSELY tighten bolt connections in this step.



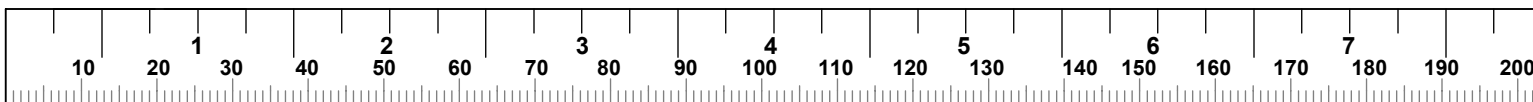
STEP 05B - 7' DUAL HALF RACK WITH STORAGE



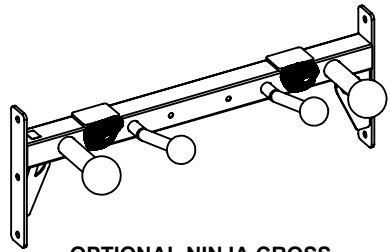
NOTE:

7' UPRIGHTS SHOWN, SEE PREVIOUS STEP FOR ASSEMBLING THE 8' DOUBLE HALF RACK.

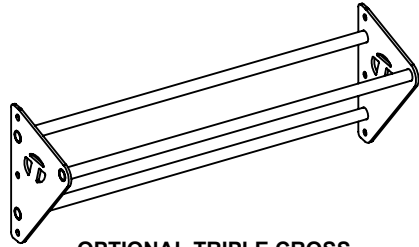
LOOSELY tighten bolt connections in this step.



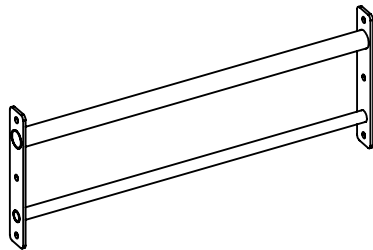
STEP 06A - 8' DUAL HALF RACK WITH STORAGE



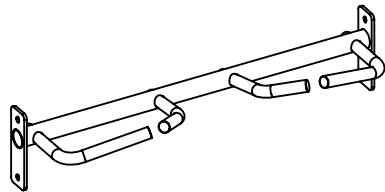
OPTIONAL NINJA CROSS



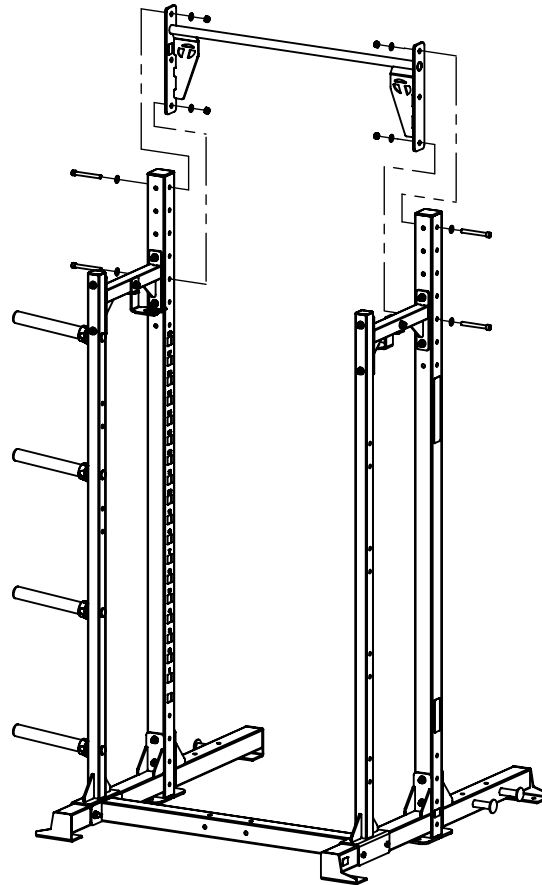
OPTIONAL TRIPLE CROSS



OPTIONAL DOUBLE CROSS



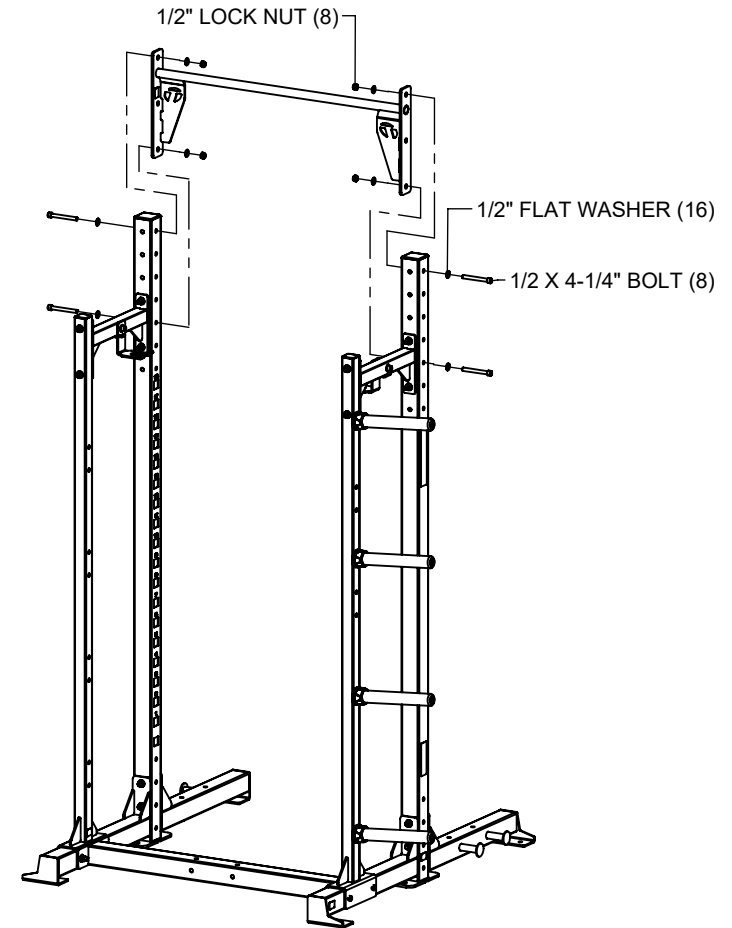
OPTIONAL MULTI GRIP CROSS
(SEE NEXT PAGE FOR ASSEMBLY)



NOTE:

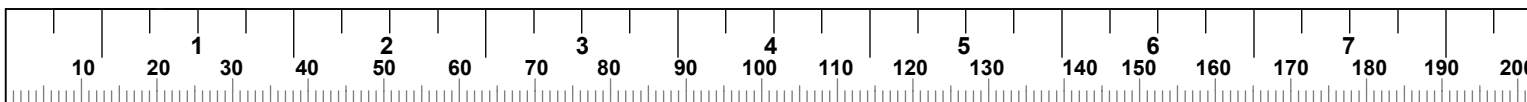
THE STANDARD SINGLE CROSS IS SHOWN FOR ASSEMBLY. THE OPTIONAL NINJA CROSS, DOUBLE CROSS AND TRIPLE CROSS ASSEMBLE TO THE UNIT THE EXACT SAME WAY.

IF YOU PURCHASED THE OPTIONAL MULTI GRIP CROSS, PLEASE REFER TO NEXT PAGE FOR ASSEMBLY

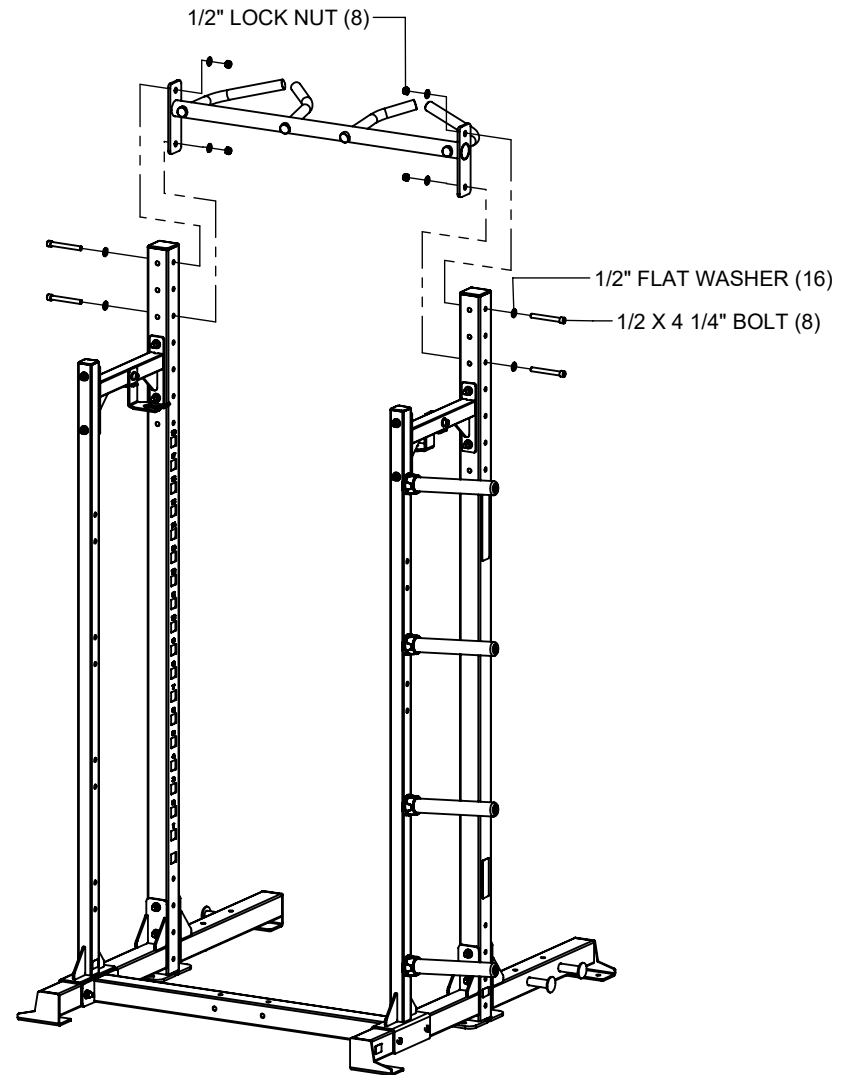
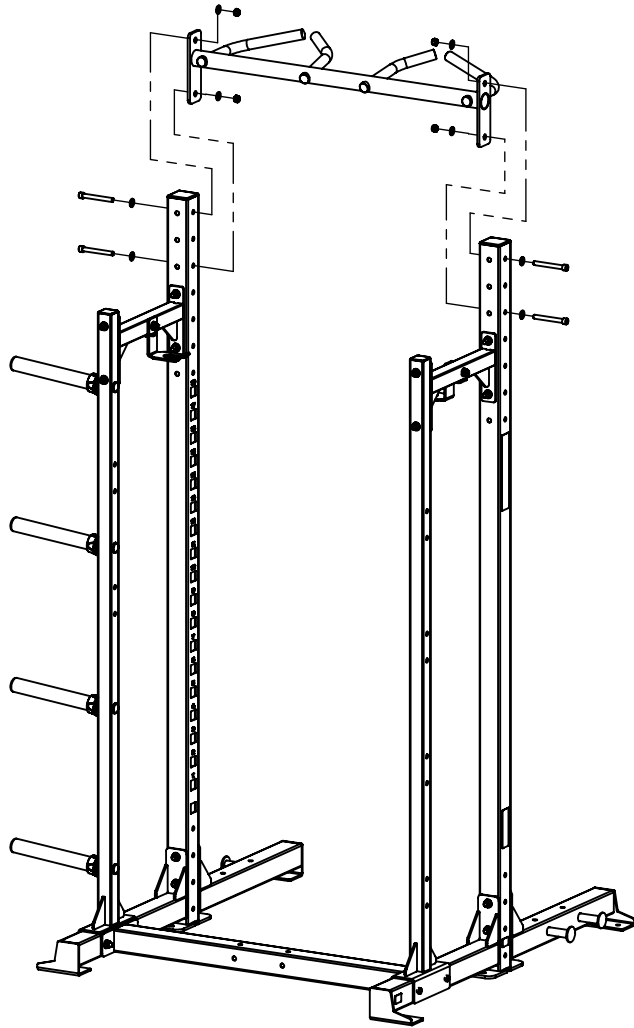


NOTE:

SECURELY tighten all bolt connections in this step and previous steps.

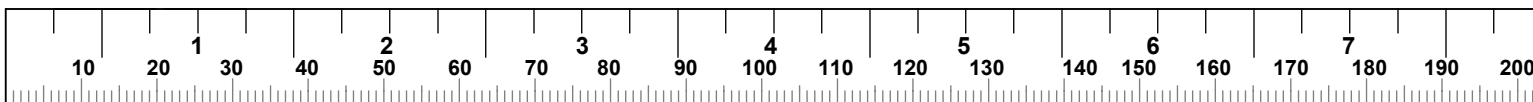


STEP 06B - 8' DUAL HALF RACK WITH STORAGE

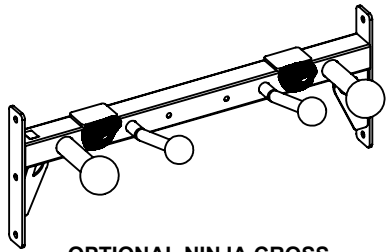


NOTE:

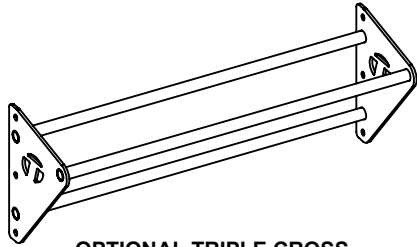
SECURELY tighten all bolt connections in this step and previous steps.



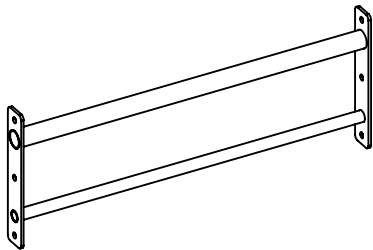
STEP 06C - 7' DUAL HALF RACK WITH STORAGE



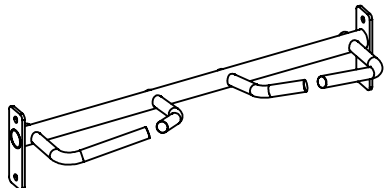
OPTIONAL NINJA CROSS



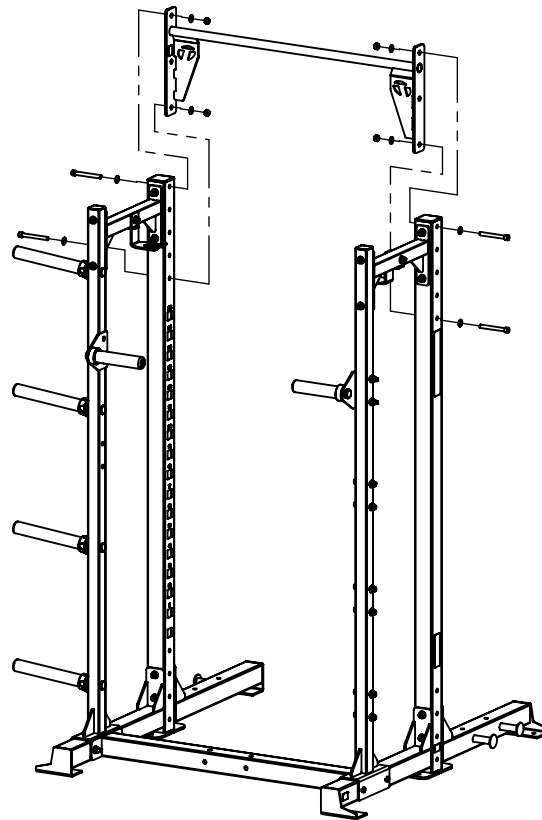
OPTIONAL TRIPLE CROSS



OPTIONAL DOUBLE CROSS

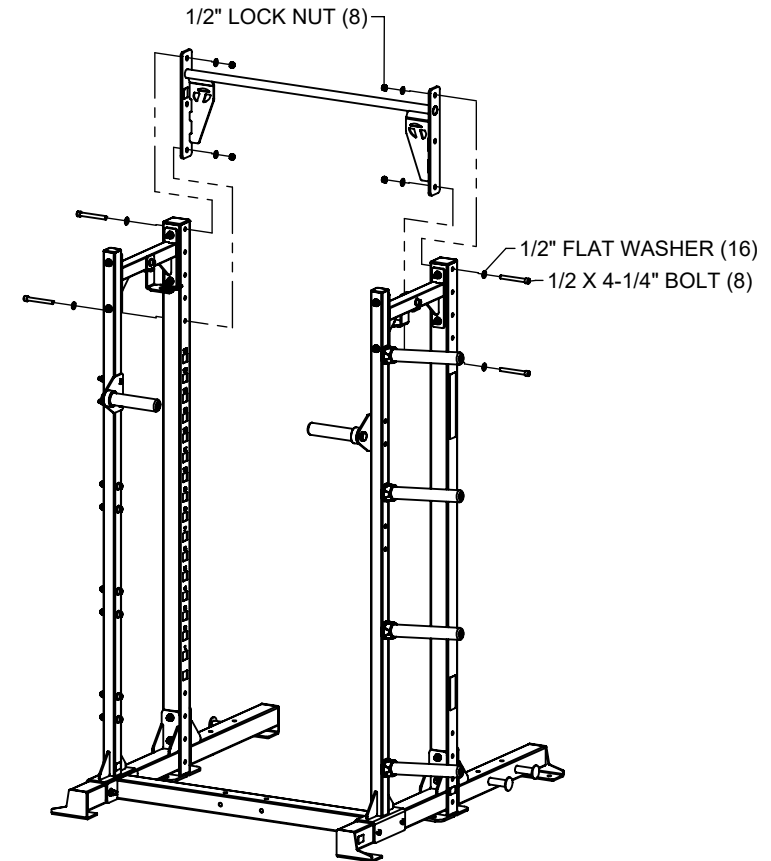


OPTIONAL MULTI GRIP CROSS
(SEE NEXT PAGE FOR ASSEMBLY)



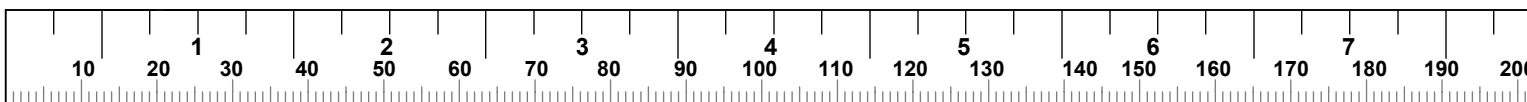
NOTE:
THE STANDARD SINGLE CROSS IS SHOWN FOR ASSEMBLY. THE OPTIONAL NINJA CROSS, DOUBLE CROSS AND TRIPLE CROSS ASSEMBLE TO THE UNIT THE EXACT SAME WAY.

IF YOU PURCHASED THE OPTIONAL MULTI GRIP CROSS, PLEASE REFER TO NEXT PAGE FOR ASSEMBLY

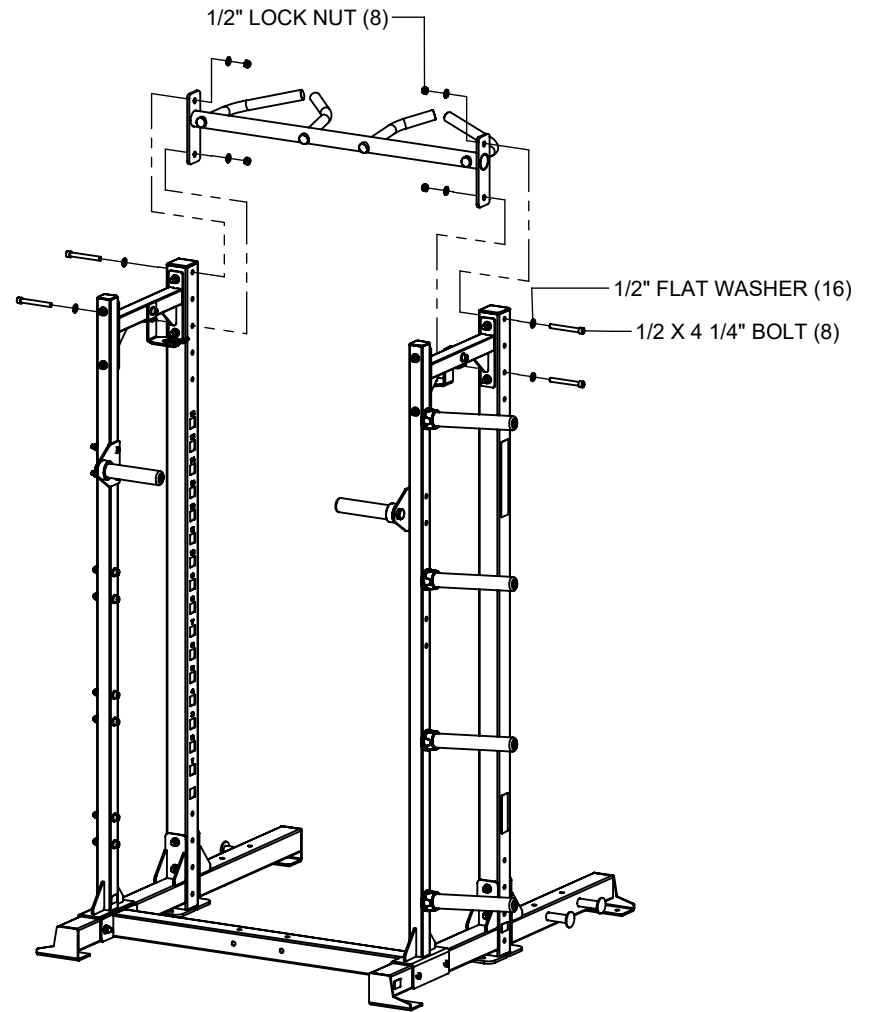
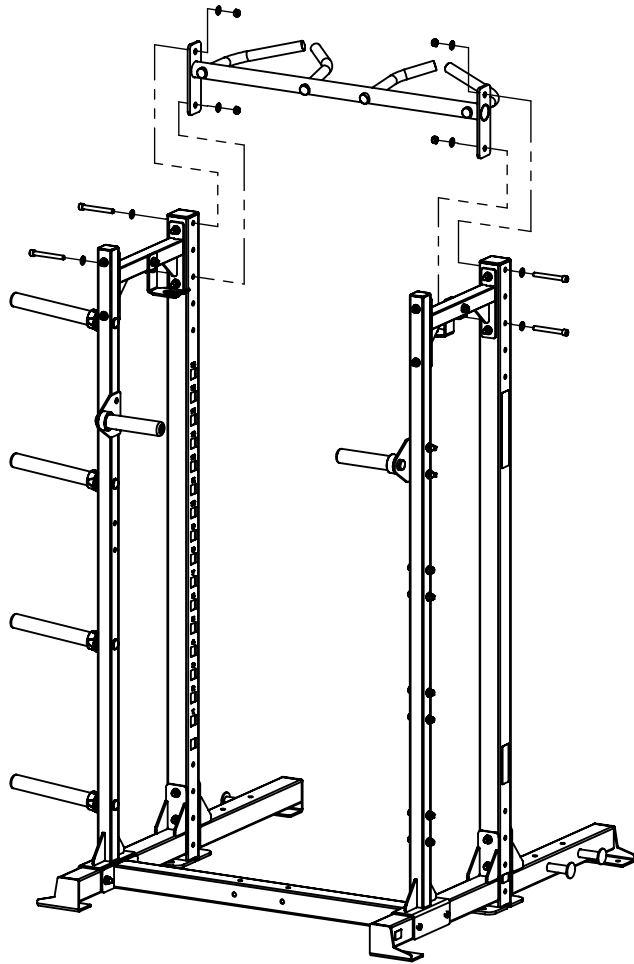


NOTE:

SECURELY tighten all bolt connections in this step and previous steps.

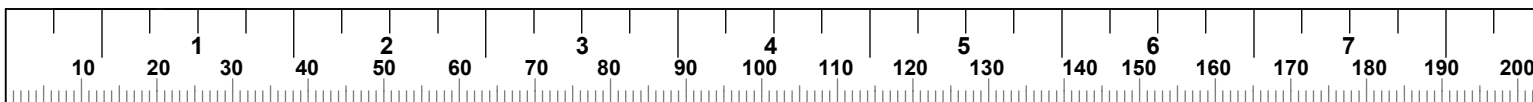


STEP 06B - 7' DUAL HALF RACK WITH STORAGE

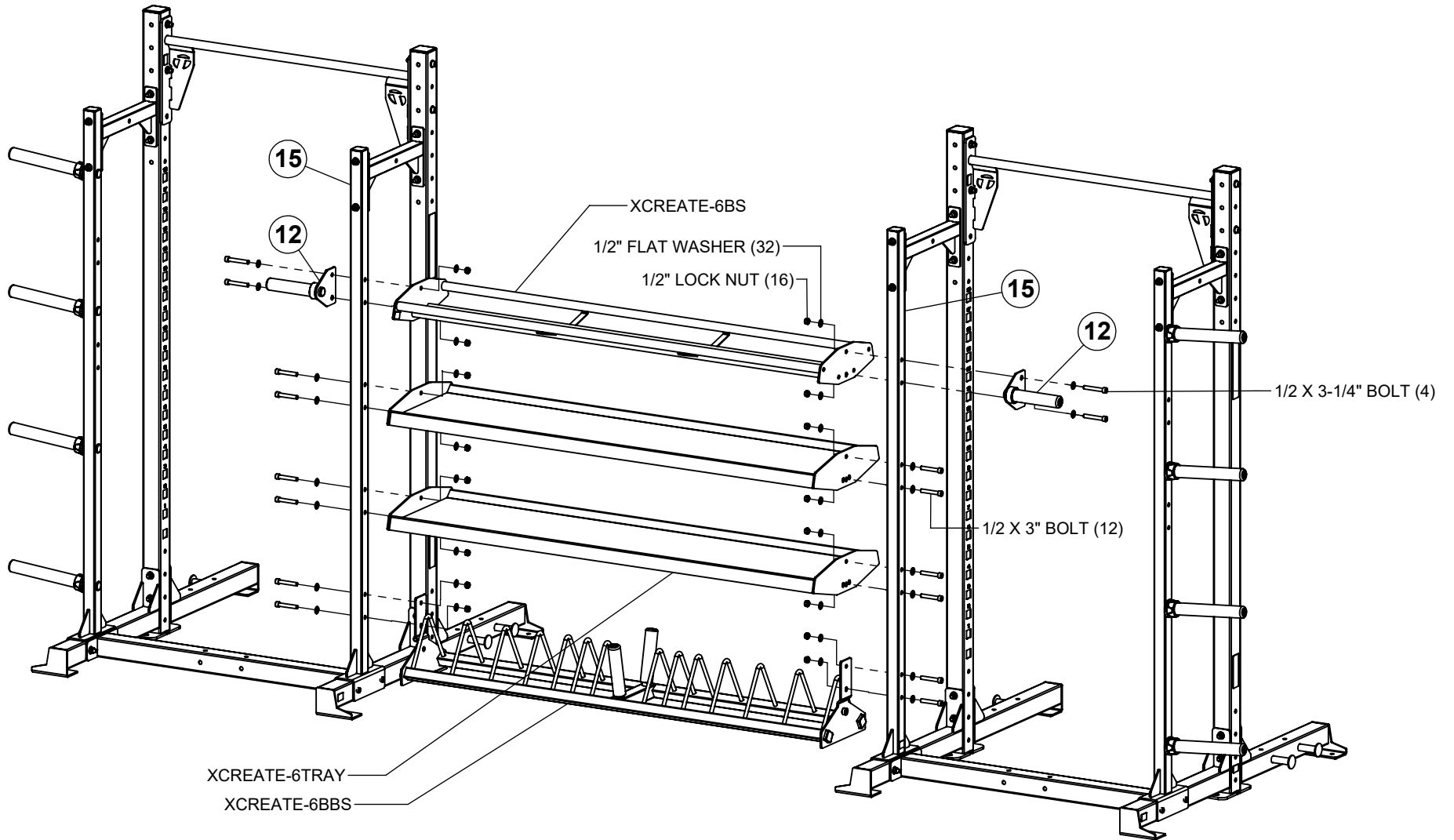


NOTE:

SECURELY tighten all bolt connections in this step and previous steps.

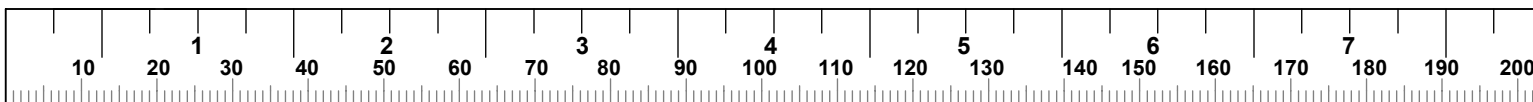


STEP 07 - 7' AND 8' DUAL HALF RACK WITH STORAGE

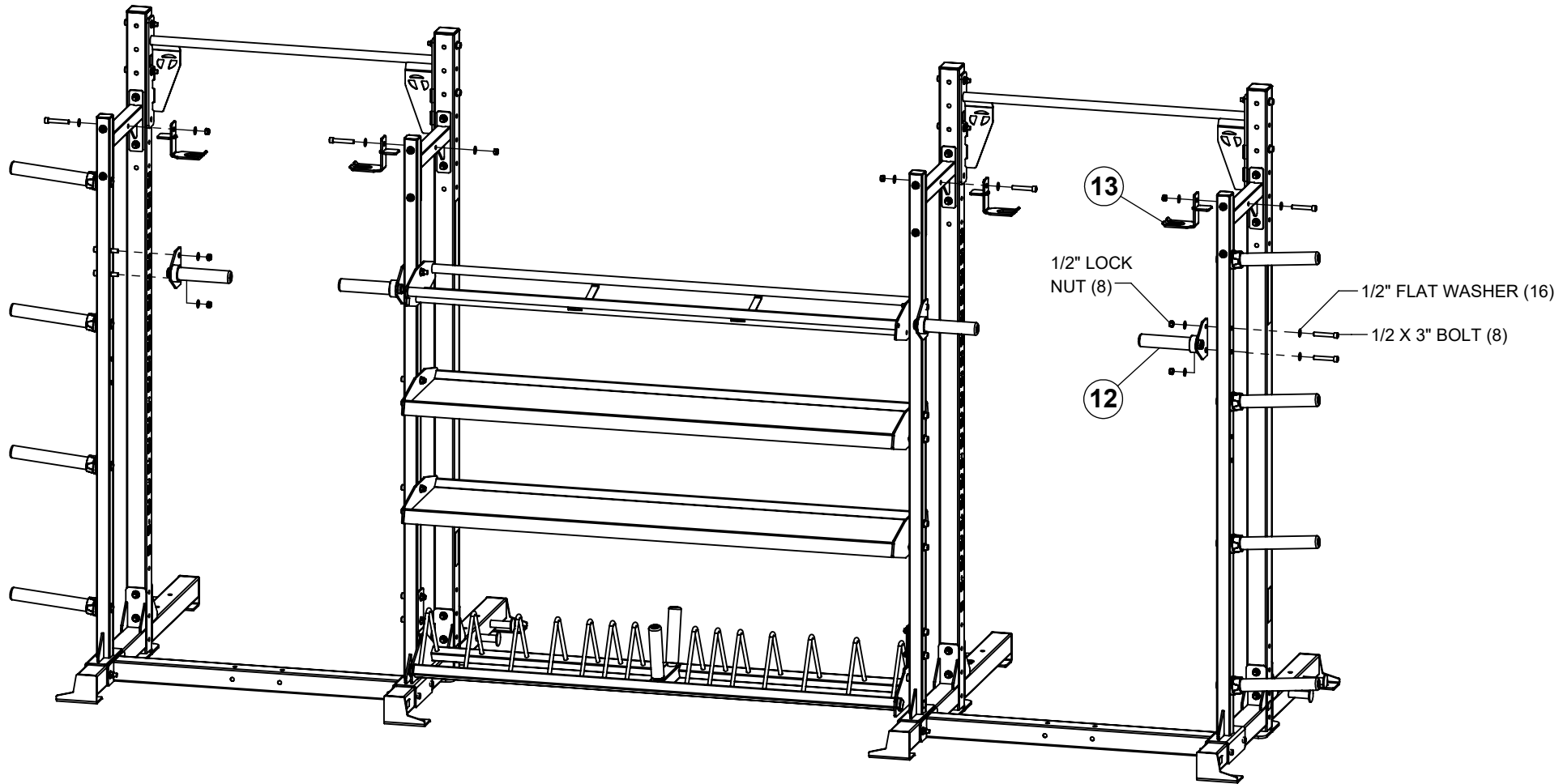


NOTE:

SECURELY tighten all bolt connections in this step and previous steps.

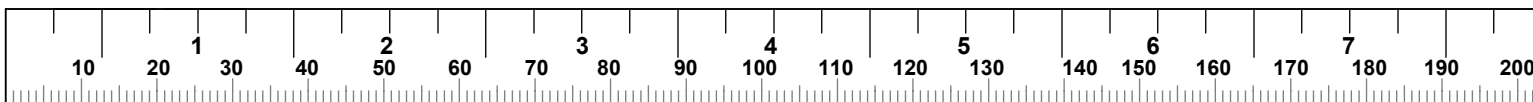


STEP 08 - 7' AND 8' DUAL HALF RACK WITH STORAGE

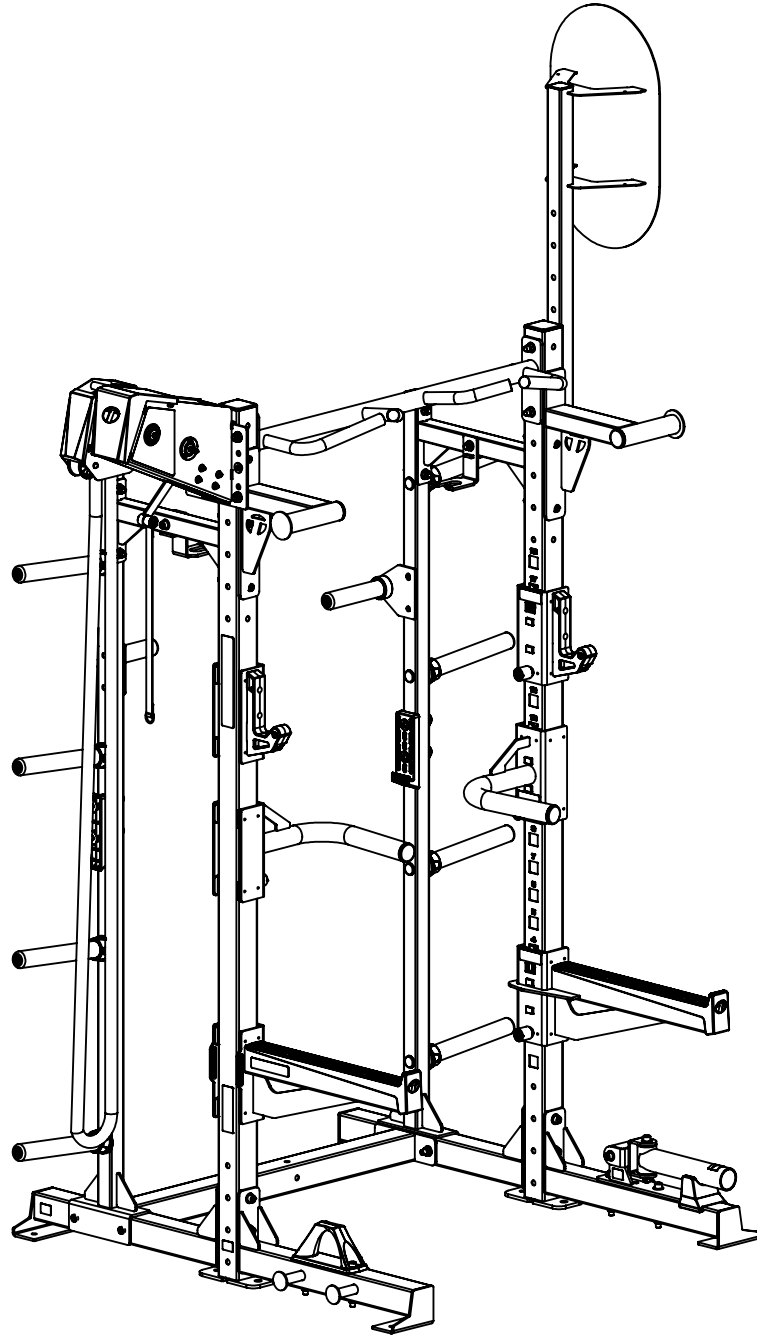


NOTE:

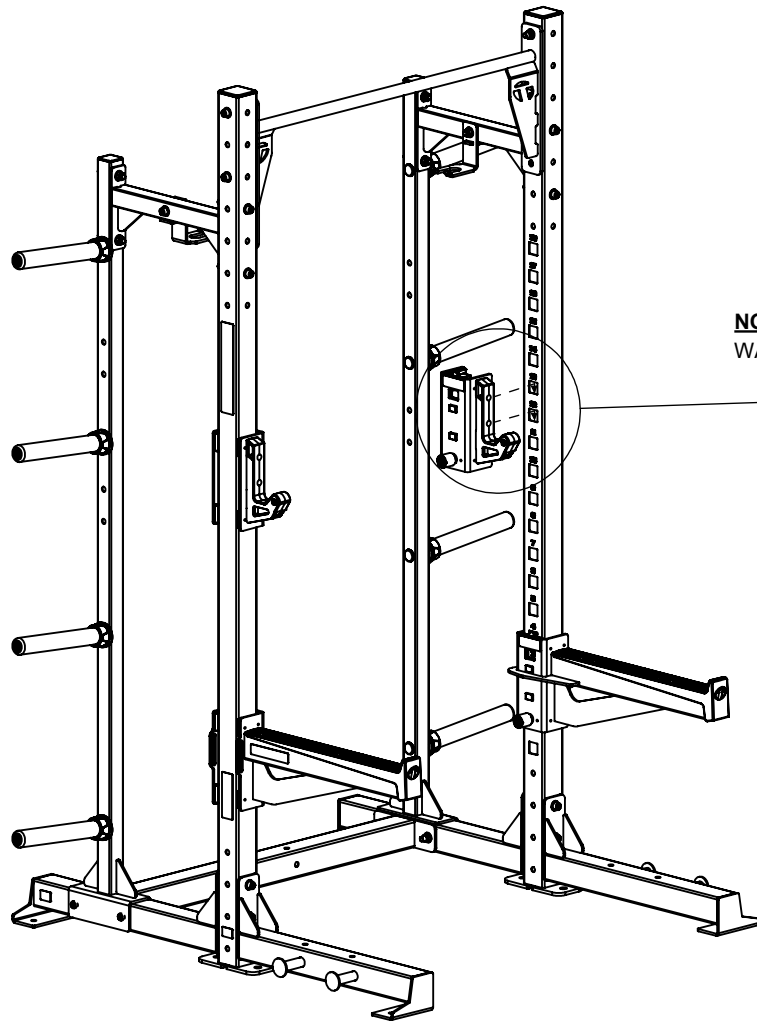
SECURELY tighten all bolt connections in this step and previous steps.



TR1 RACKS - OPTIONS AND ATTACHMENTS



BAR CATCHES AND BAR SUPPORTS

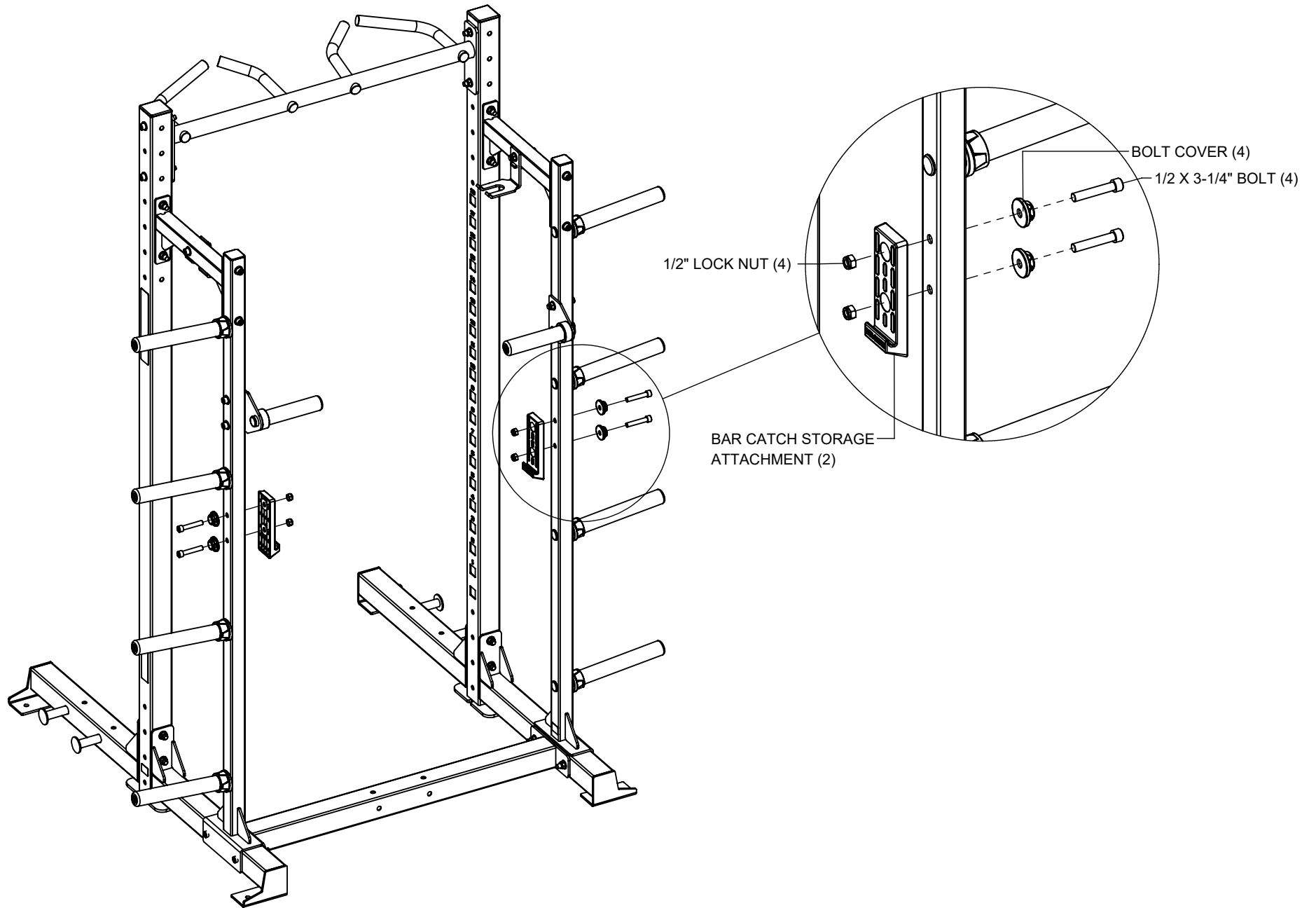


NOTE:
WARNING LABEL

INSERT BAR SUPPORTS AND BAR CATCHES
INTO DESIRED SLOTS ON UPRIGHTS.
PUSH DOWN TO LOCK IN PLACE

TO REMOVE BAR SUPPORTS OR BAR
CATCHES FROM UPRIGHTS, PULL SPRING
PIN OUT TO UNLOCK. LIFT UP AND PULL OUT

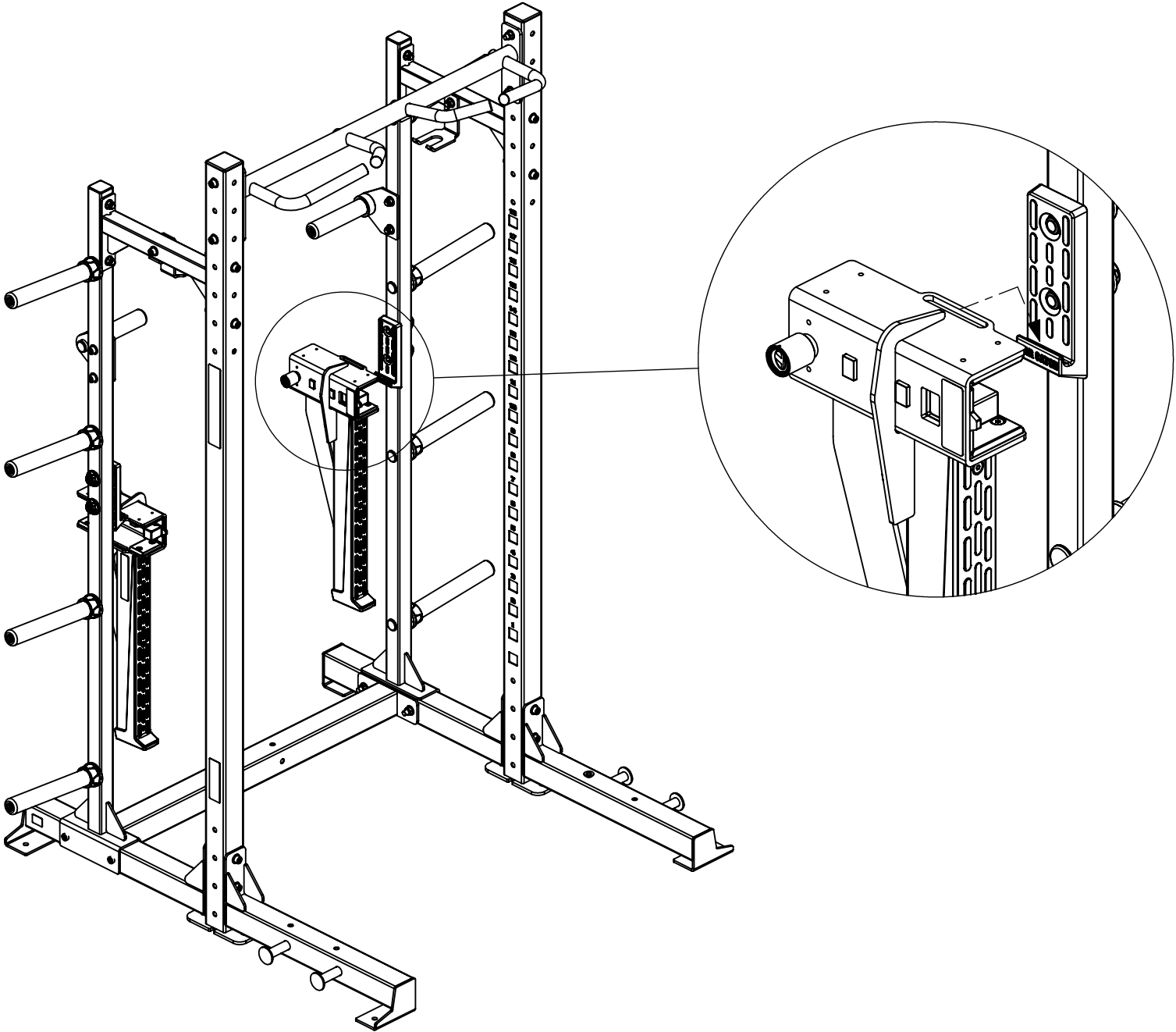
BAR CATCH STORAGE ATTACHMENT



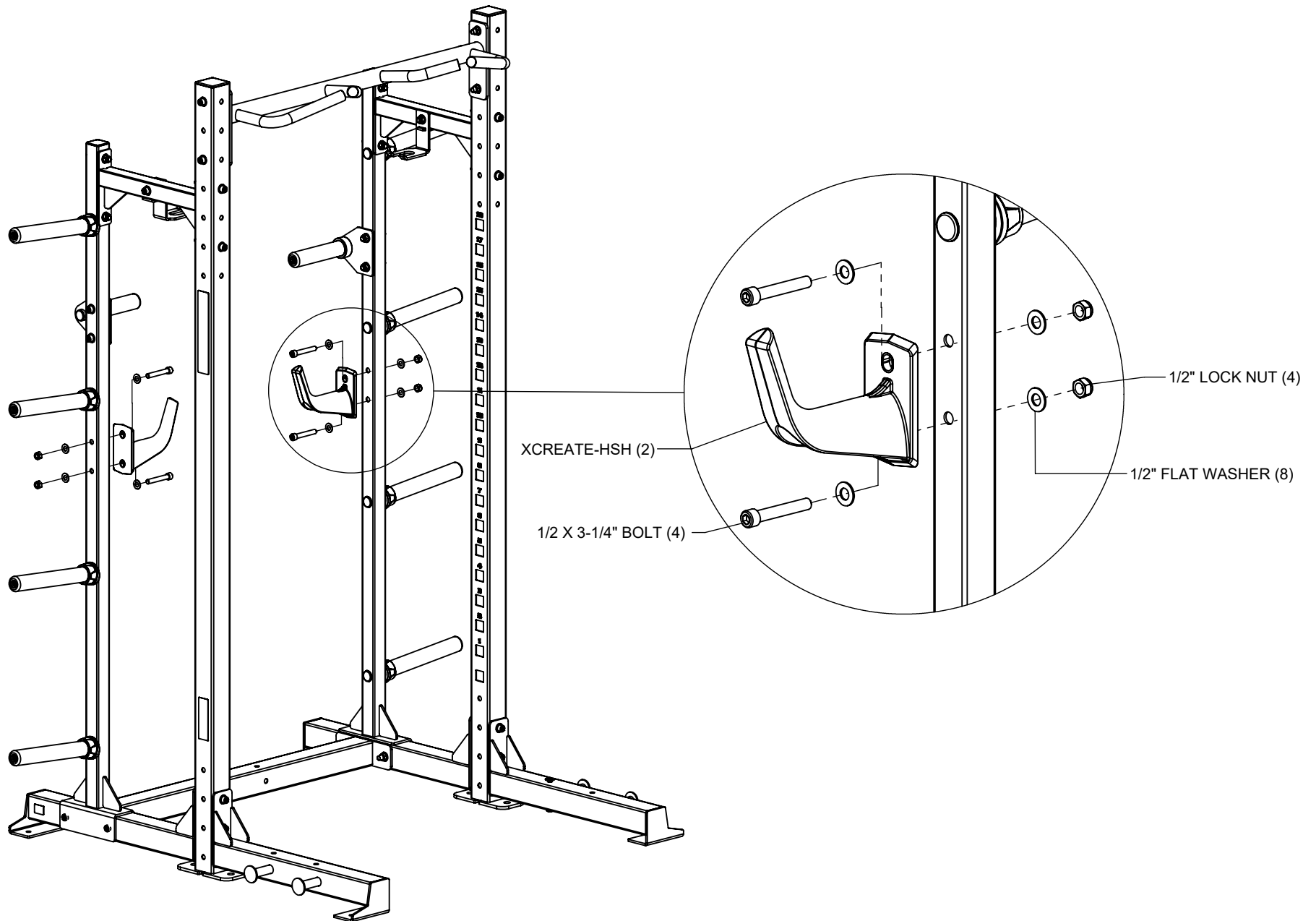
NOTE:

SECURELY tighten all bolt connections in this step and previous steps.

BAR CATCH STORAGE ATTACHMENT



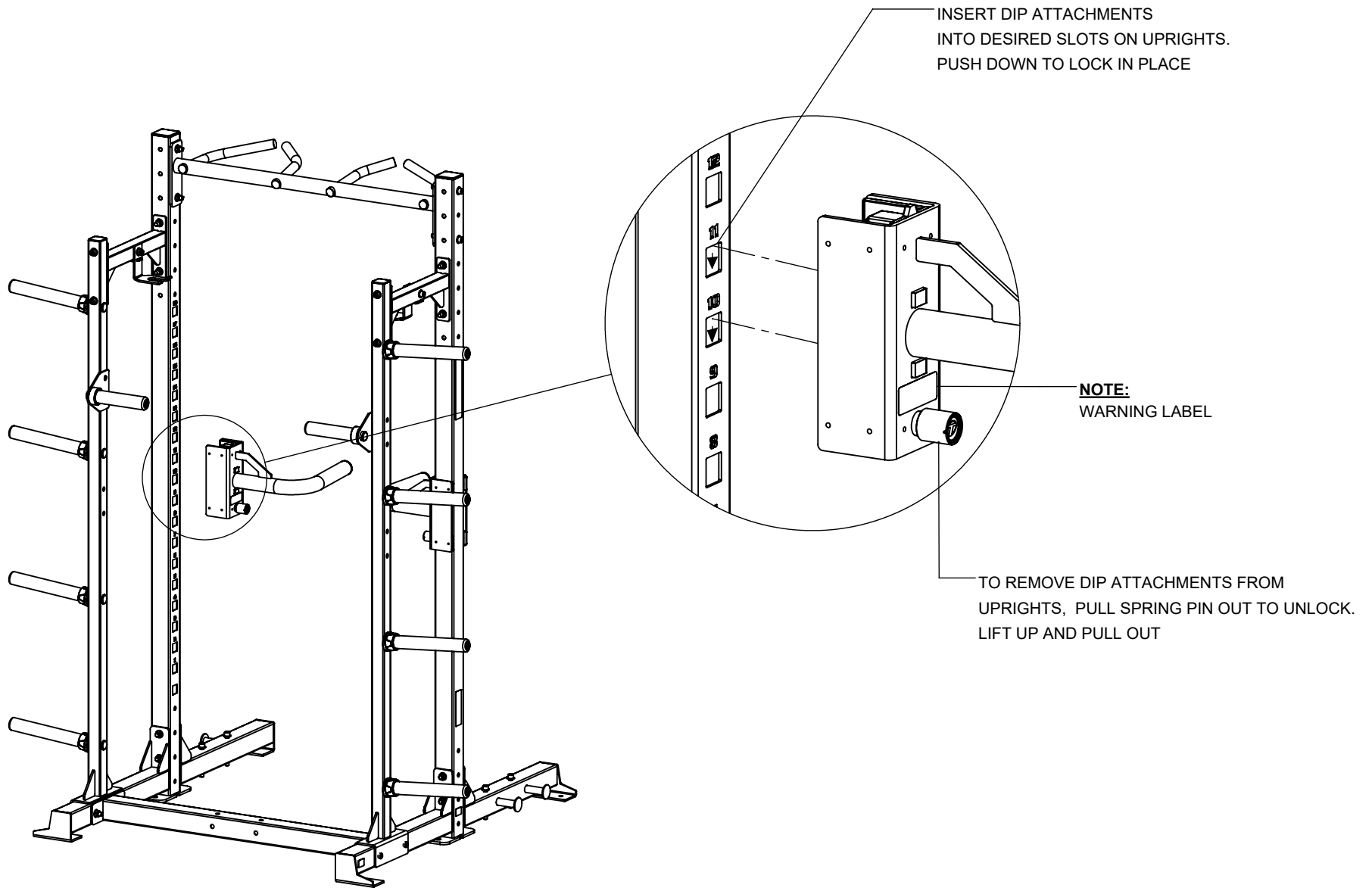
HANGING STORAGE HOOK



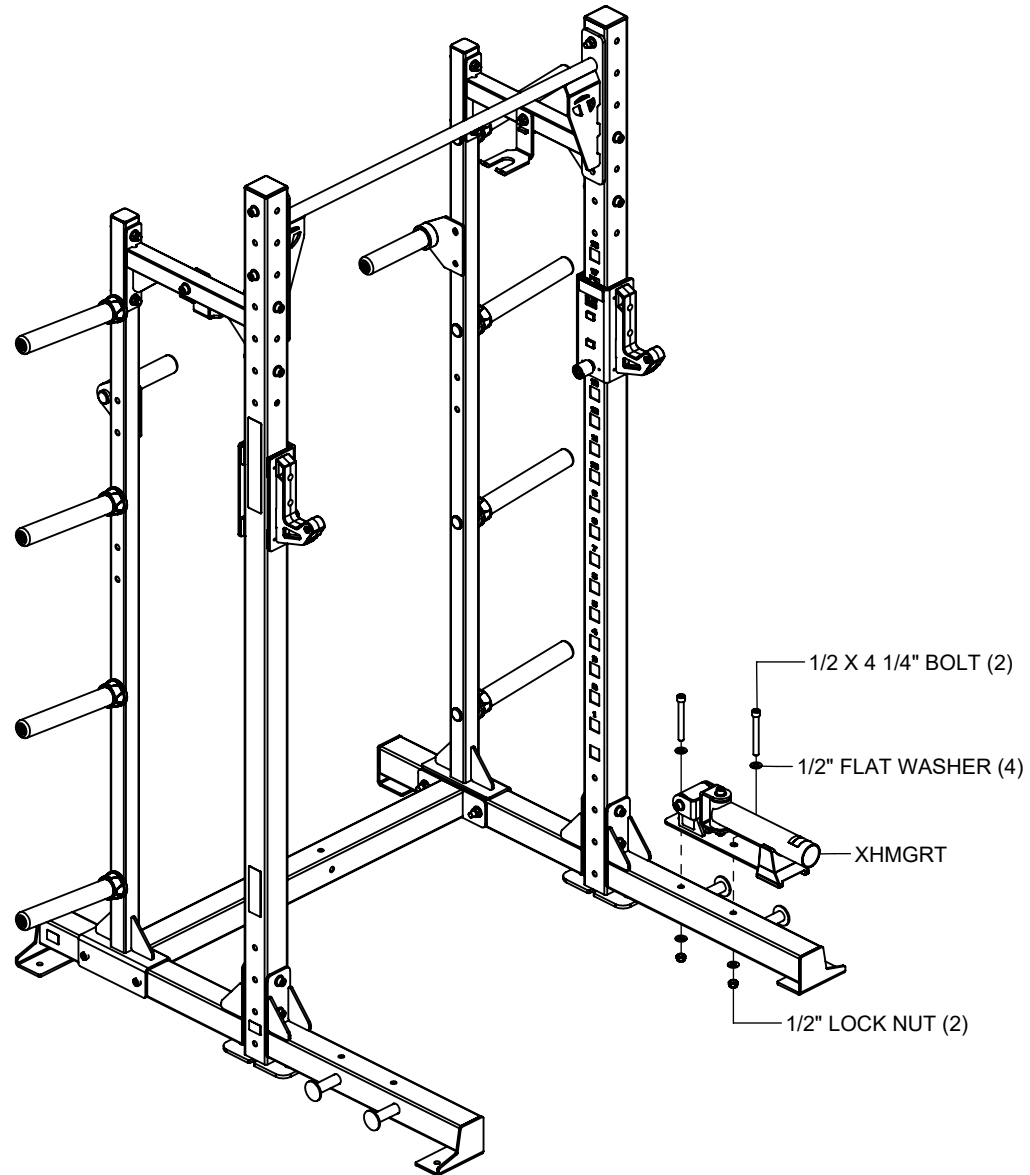
NOTE:

SECURELY tighten all bolt connections in this step and previous steps.

DIP STEP ATTACHMENT ANCHOR

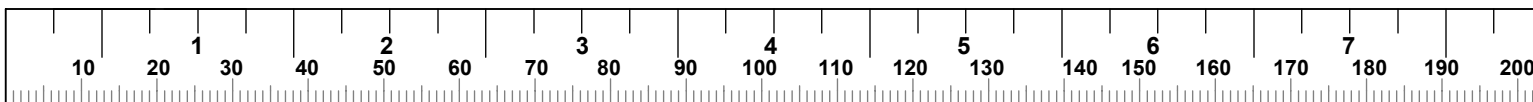


GROUND ROTATIONAL TRAINER

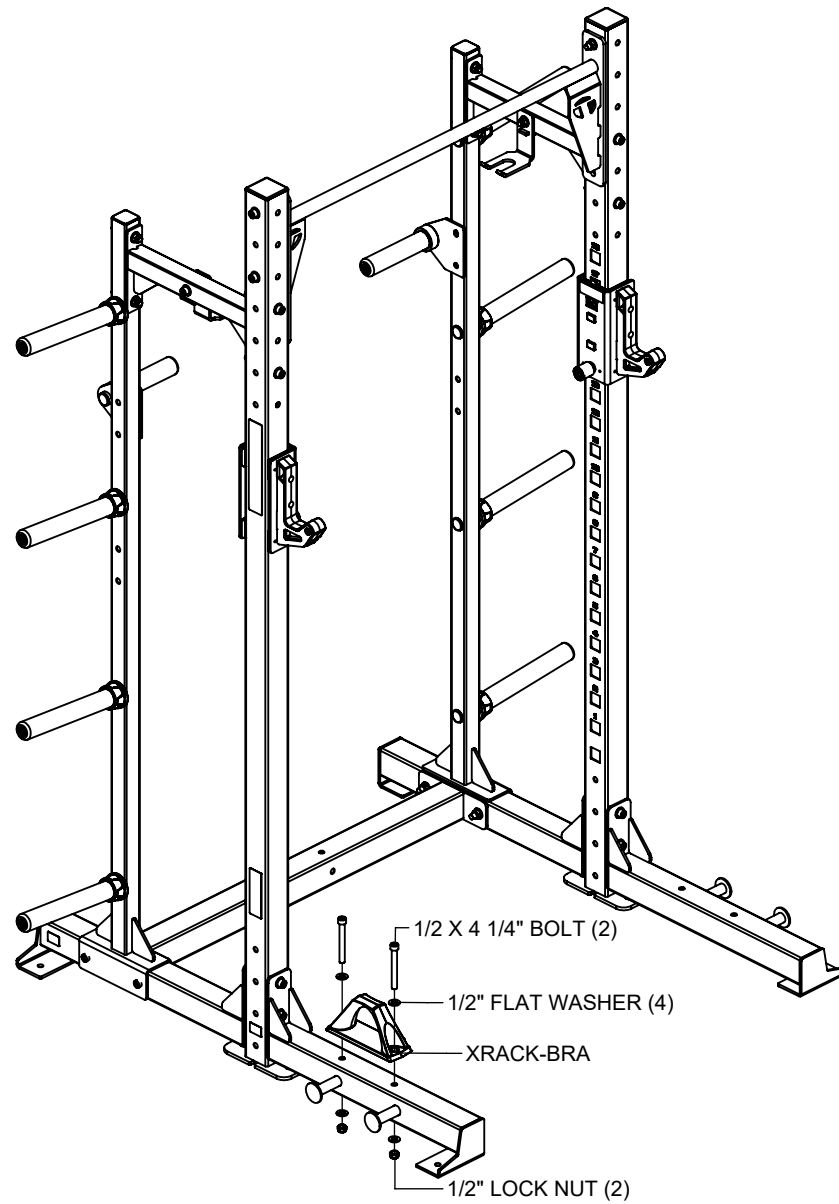


NOTE:

SECURELY tighten all bolt connections in this step and previous steps.

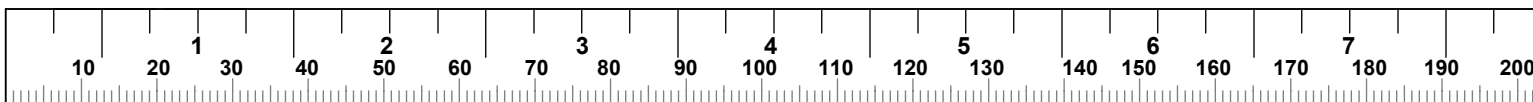


BATTLE ROPE ANCHOR

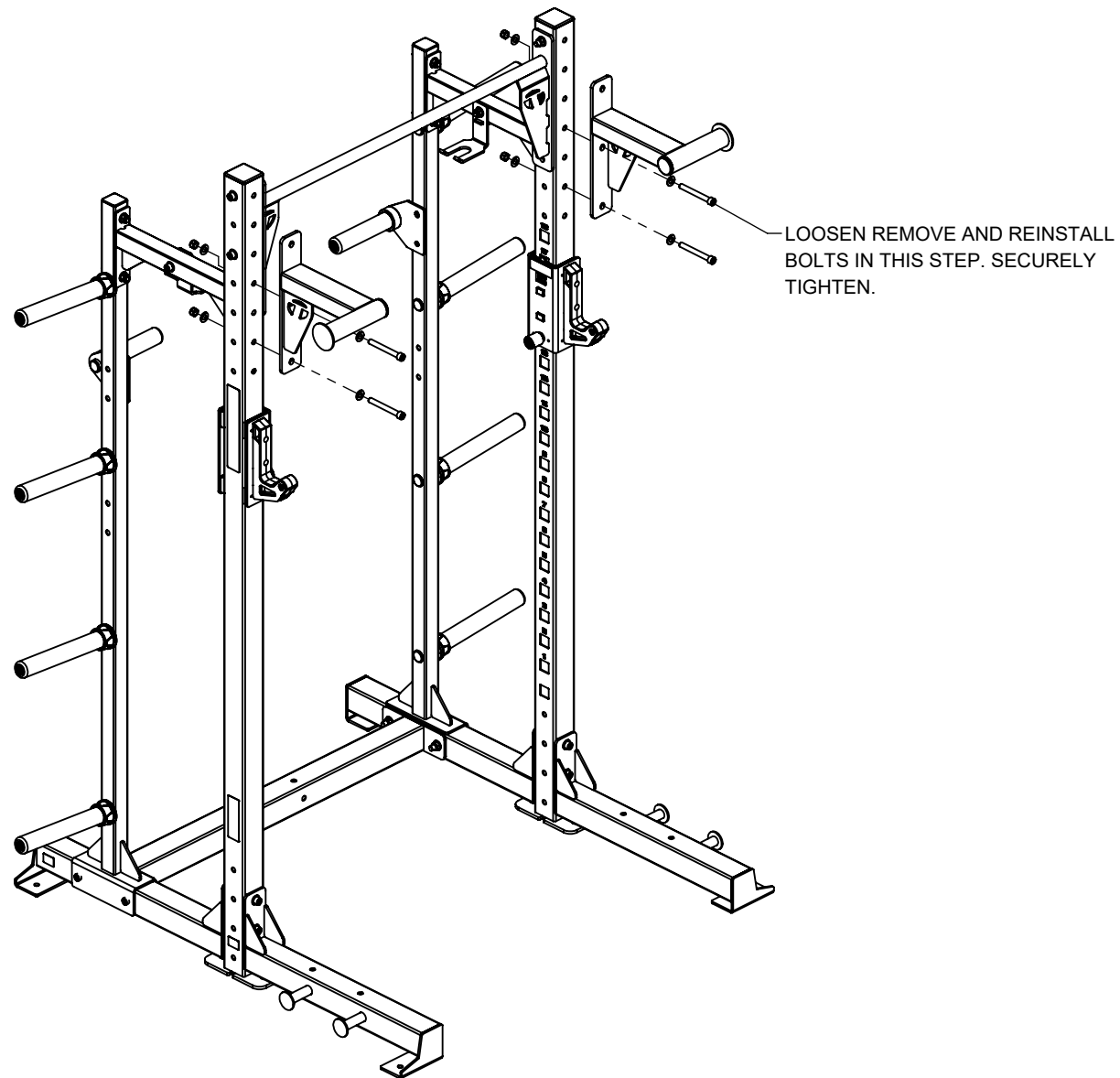


NOTE:

SECURELY tighten all bolt connections in this step and previous steps.

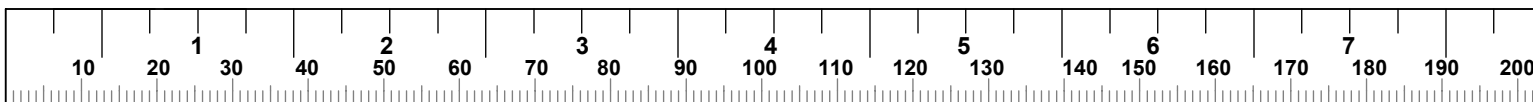


UPPER BAND PEG ATTACHMENTS

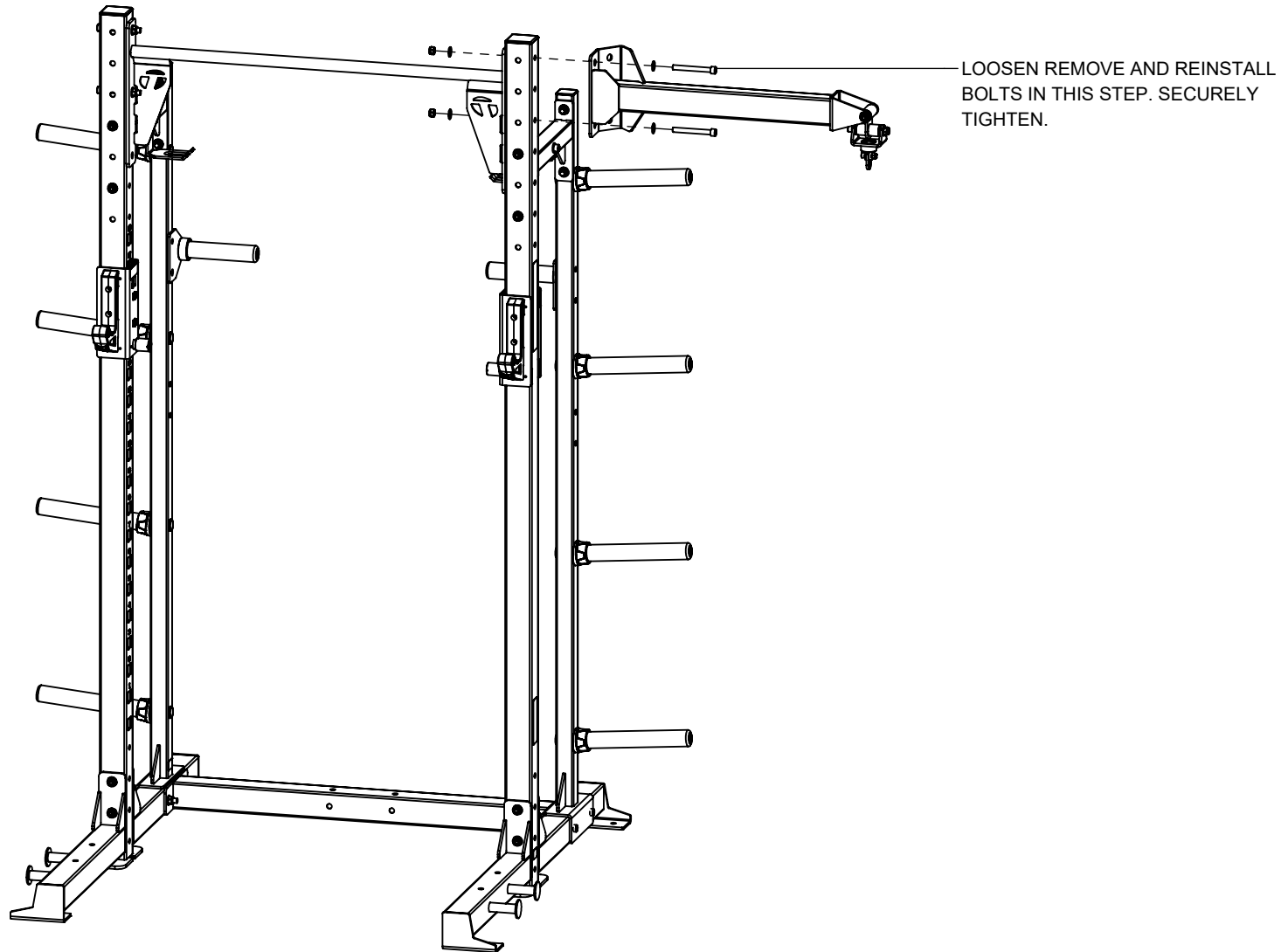


NOTE:

SECURELY tighten all bolt connections in this step and previous steps.



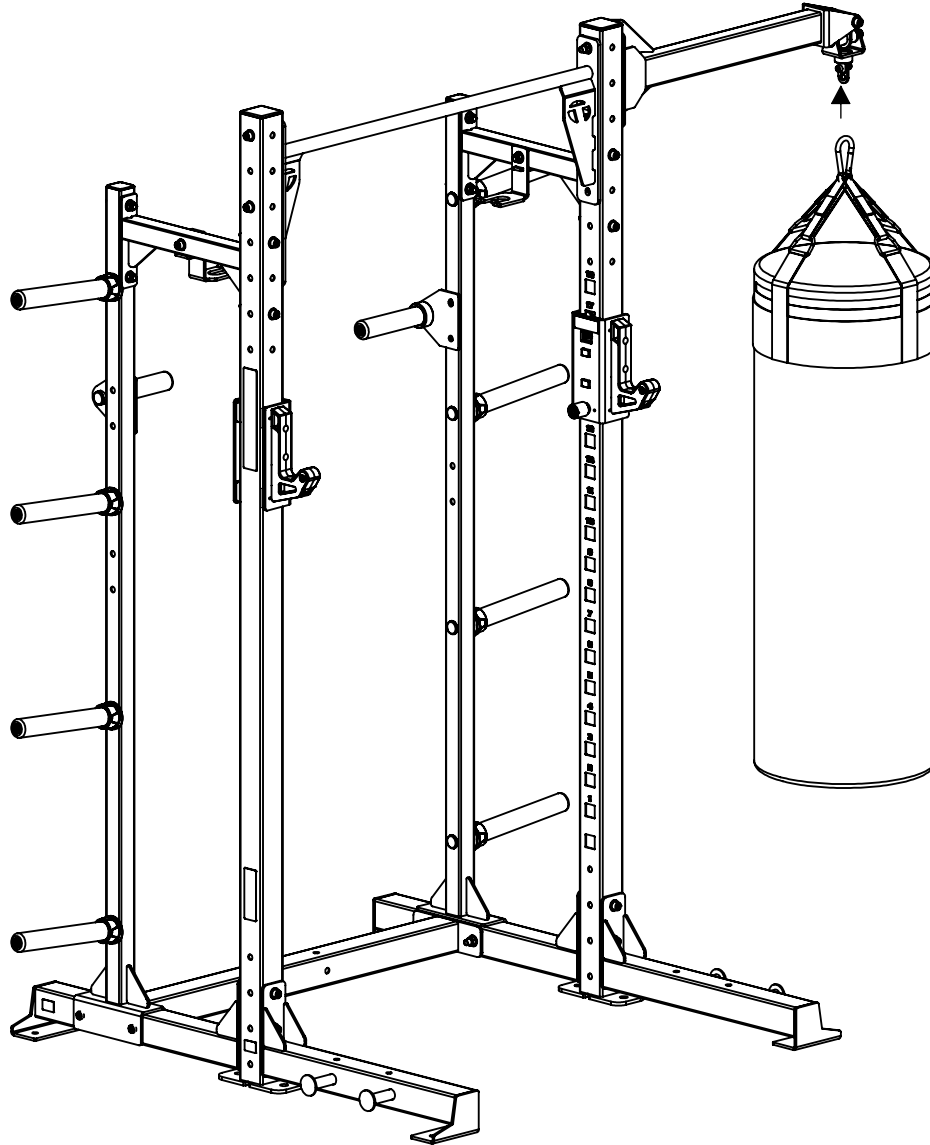
UNIVERSAL HEAVY BAG MOUNT (STEP 1)



NOTE:

SECURELY tighten all bolt connections in this step.

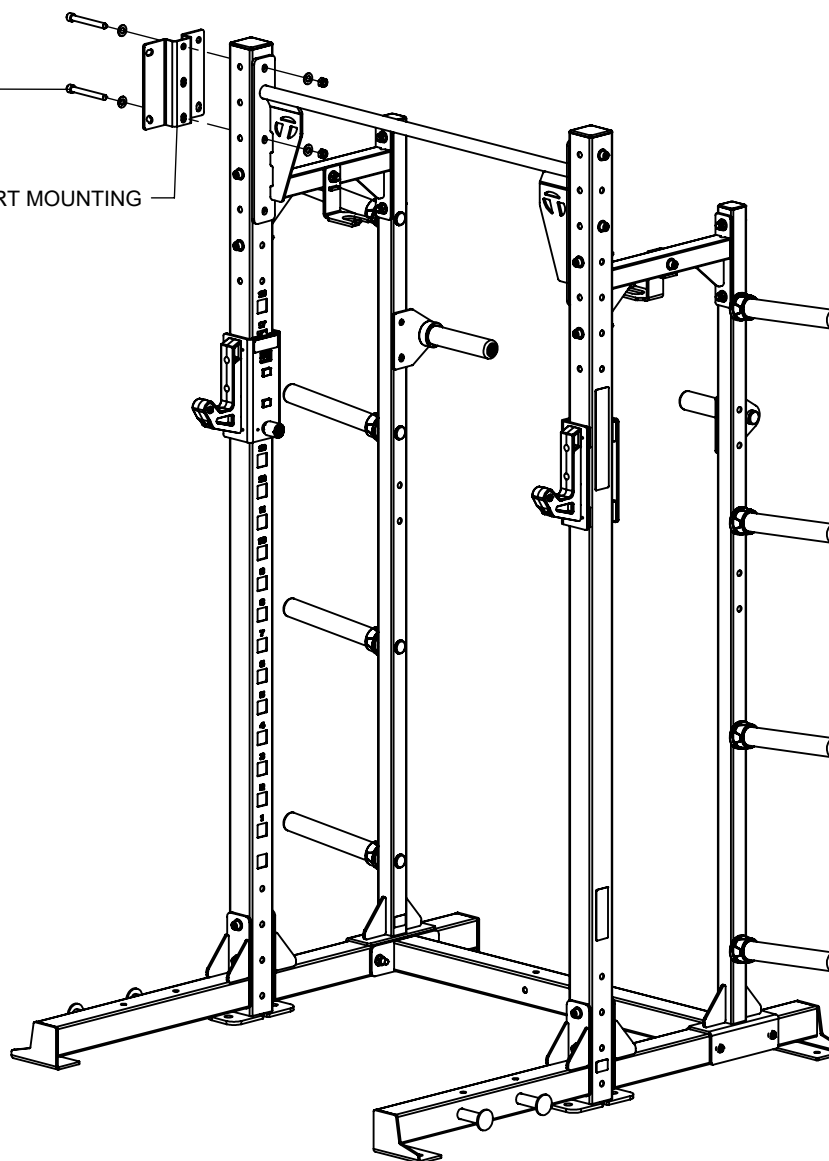
UNIVERSAL HEAVY BAG MOUNT (STEP 2)



RELENTLESS ROPE TRAINER

LOOSEN REMOVE AND REINSTALL BOLTS IN THIS STEP. SECURELY TIGHTEN.

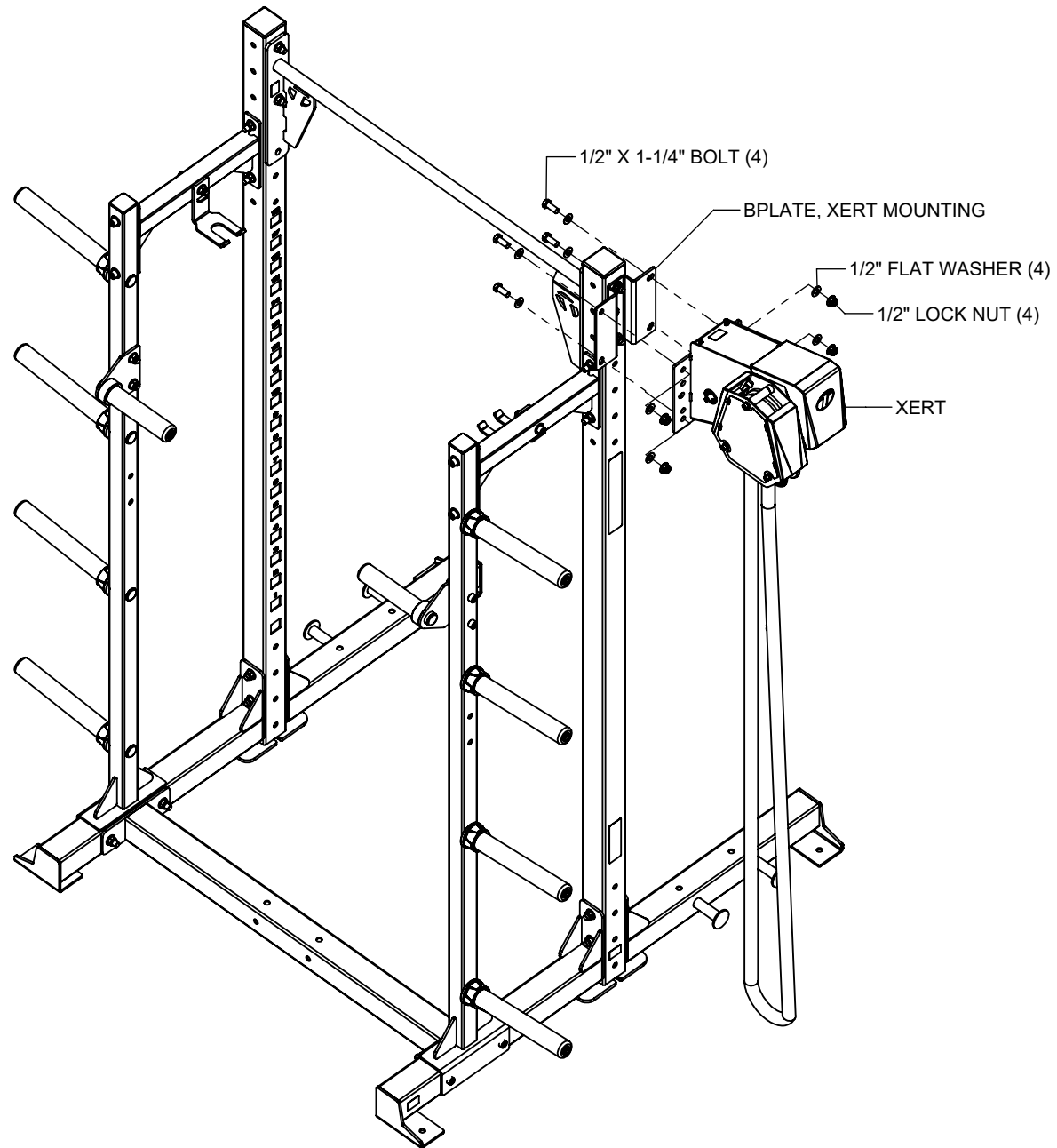
BPLATE, XERT MOUNTING



NOTE:

SECURELY tighten all bolt connections in this step and previous steps.

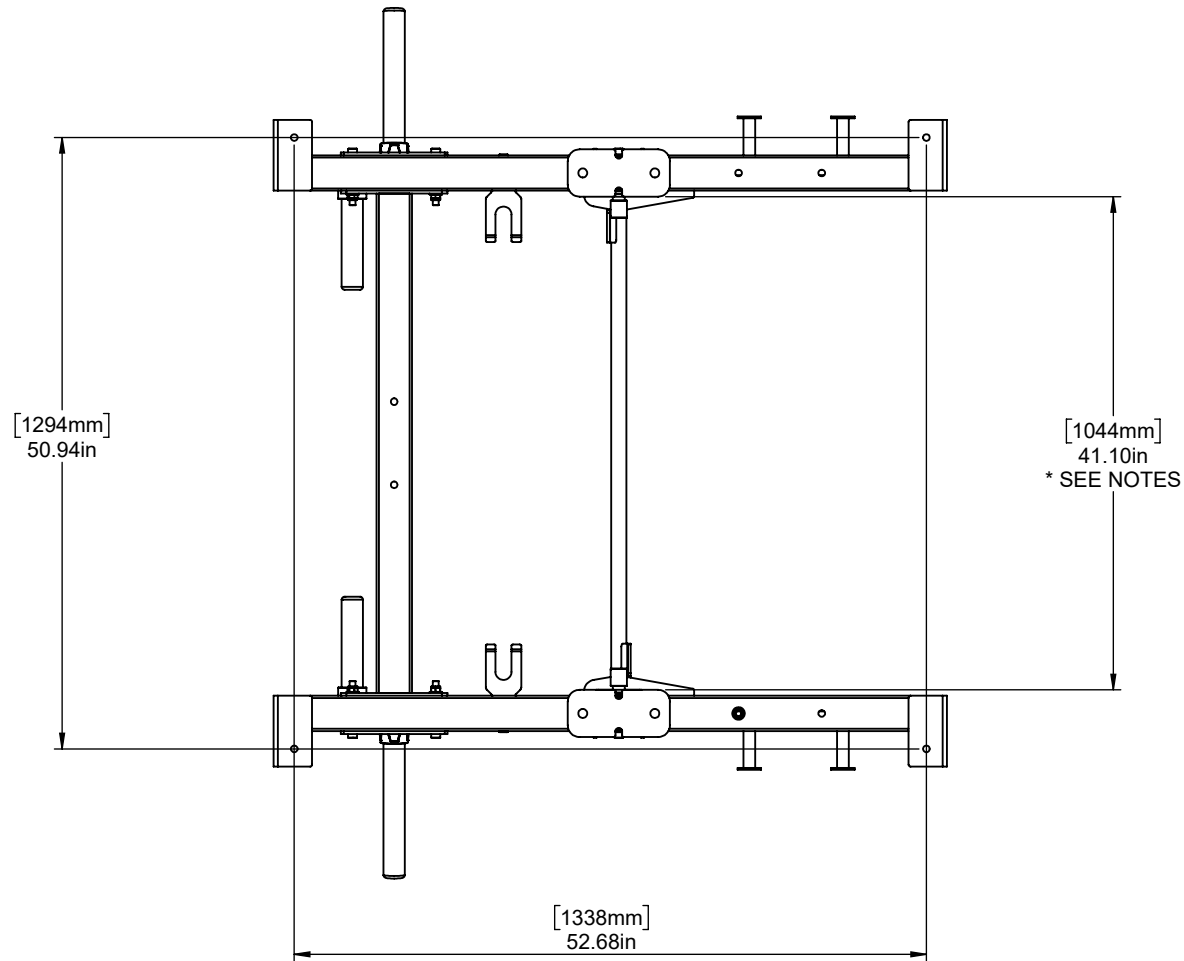
RELENTLESS ROPE TRAINER



NOTE:

SECURELY tighten all bolt connections in this step and previous steps.

FLOOR ANCHORING



NOTE: Measure dimension before anchoring. If necessary loosen bolted connections, adjust and retighten.

NOTE:

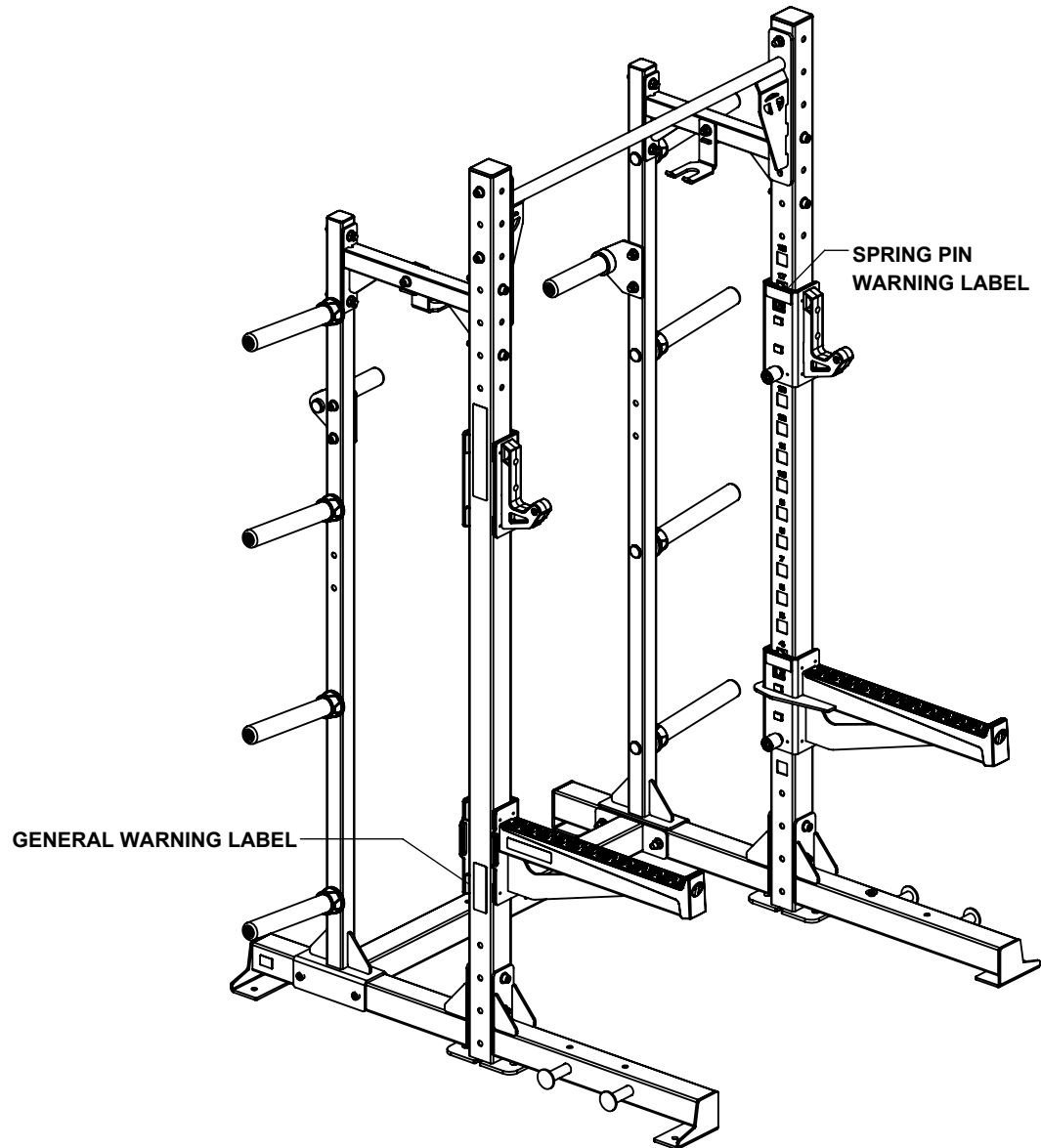
* If using a platform, **THE PLATFORM SHOULD BE INSTALLED PRIOR TO ANCHORING.**

Anchor system to the floor referencing X-SERIES ANCHORING INSTRUCTIONS which can be downloaded at www.torquefitness.com.

SECURELY tighten all bolt connections in this step and previous steps.

MAINTENANCE:

- **NUTS/BOLTS:** Inspect periodically, tighten and/or adjust as needed.
- **SPRING PINS:** Check that spring pins fully engage the hole when released. Tighten spring pin nuts as needed.
- **FRAME:** Wipe down frame with a damp cloth.



Torque Fitness
11201 Xeon Street NW Ste 101
Coon Rapids, MN USA 55448

www.torquefitness.com
or 763-754-7533 (8:30 am – 5:00 CST).

For sales: sales@torquefitness.com
For service: service@torquefitness.com

 <https://twitter.com/TorqueFitnessHQ>

 <https://www.instagram.com/torquefitnessusa/>

 <https://www.youtube.com/c/TorqueFitness/>

 <https://www.facebook.com/torquefitness/>