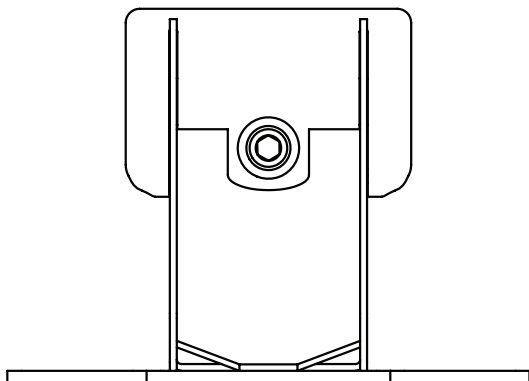




Attaches to side of X-CREATE uprights to create an additional mounting point for Relentless Ripper and Relentless Rope

Model number	XCREATE-SAM
Dimensions	27.2" x 9.1" x 6.4" (69.0 cm x 23.0 x 16.2 cm)
Weight	18.0 lb (8.2 kg)
Compatibility	X-Create

### TOP VIEW



### NOTE

- Compatible with XRR-SKI and XERT