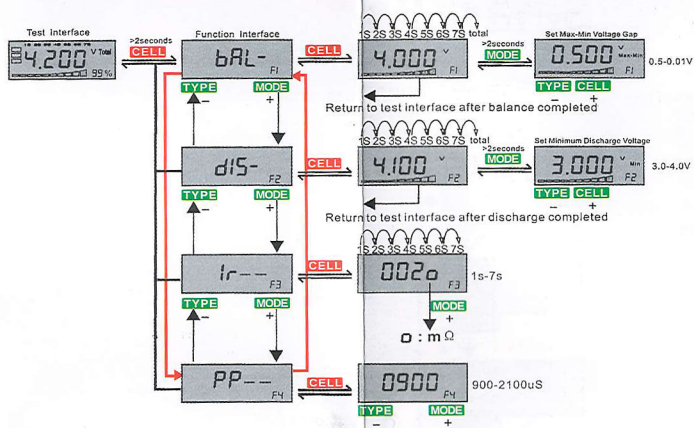
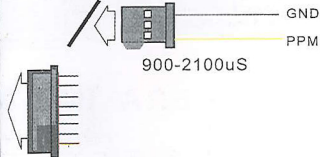
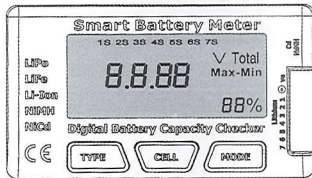


PRESS BUTTON "CELL" MORE THAN 3 SECONDS TO ENTER OTHER FUNCTIONS



F1 bAL-	Battery Balancer
F2 dIS-	Battery Discharger
F3 Ir--	Battery Internal Resistance Tester
F4 PP--	ESC/SERVO PPM Tester

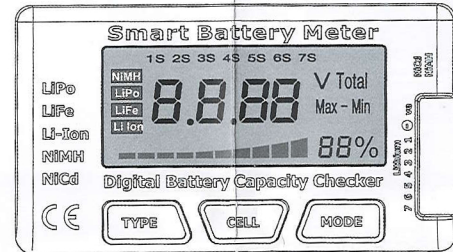
Lithium battery pack with JST EH or JST XH plug can be connected with this battery checker directly.



# Smart Battery Meter

5 in 1

- \* Battery Capacity Checker
- \* Battery Balancer
- \* Battery Discharger
- \* Battery Internal Resistance Tester
- \* ESC/SERVO PPM Tester



	LiPo	LiFe	Li-Ion	NiCd	NiMH
Input Cells	1-7 Cells	1-7 Cells	1-7 Cells	4-7 Cells	4-7 Cells
Total Voltage	✓	✓	✓	✓	✓
Total Cell battery capacity(0-99%)	✓	✓	✓	x	x
Individual Battery Cell Voltage	✓	✓	✓	x	x
Lowest Cell Voltage	✓	✓	✓	x	x
Highest Cell Voltage	✓	✓	✓	x	x
Voltage Difference Between Highest and Lowest Cell Voltage	✓	✓	✓	x	x

## OPERATING INSTRUCTIONS

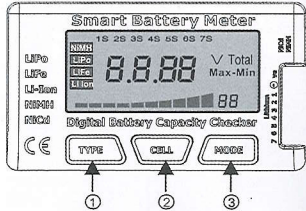
Please keep for future reference  
Thank you for purchasing this Cell Meter-7+. We are sure you will be pleased with its performance and features. In order to ensure that you obtain the maximum benefit from its operation, please read these instructions carefully.



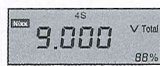
## BATTERY CHECKER LAYOUT

### Buttons

- Battery Type: NiCd/NiMH, Li-Po, LiFe, Li-Ion
- Cell Number: LiPo/LiFe/LiIon(1-7 Cells)
- Display Mode: Battery cell voltage, Total voltage, Lowest cell voltage, Highest cell voltage, Voltage gap between highest cell voltage and lowest cell voltage, Remaining battery capacity(%)



• Battery total voltage



• Set cell numbers.



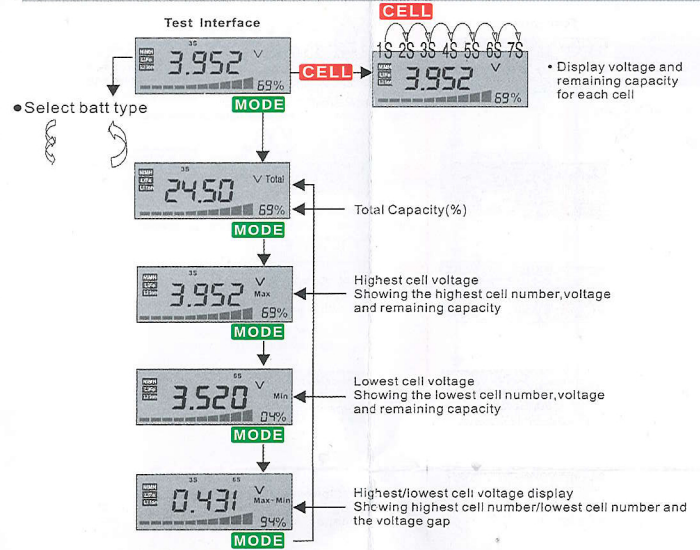
Total voltage, and remaining capacity(%)

n.b. The capacity shown for Nixx type cells is not accurate and should not be relied upon.

NiCd and NiMH batteries for the TX and RX(4-7 cells) can be connected to this capacity checker.



## LITHIUM TYPE BATTERIES



### Test Interface



### Set Interface



Set alarm minimum voltage



Set the value between \*Max - Min voltage\*



Default Alarming Voltage \*OFF\*

Cr./Off Alarm Function