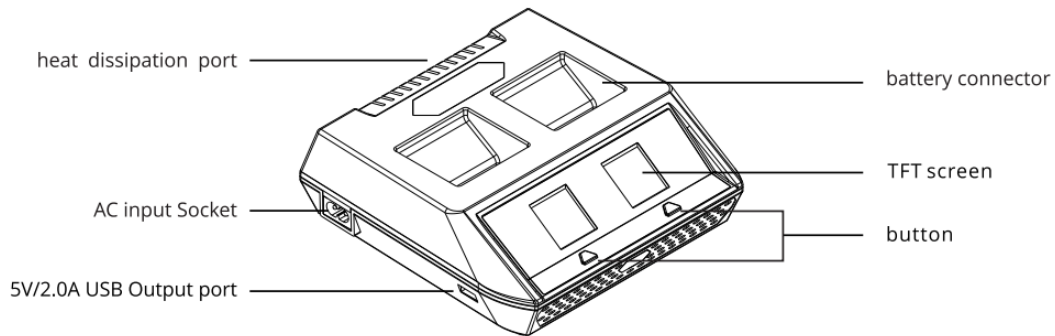


INSTRUCTION MANUAL



Specification

AC input voltage.....	100-240V AC
output voltage.....	16.8V
Charge current.....	6.0Ax2
Charge power.....	70Wx2
Storage current.....	3.0Ax2
Battery type.....	Specialized battery
Battery cell count.....	4cell
Charge mode.....	balance
Balance current.....	400mA/cell
Display.....	TFT screen
USB output.....	5V/2.0A
Charge output.....	dual independent output
Dimension(LxWxH).....	W178xD177.5xH65mm
weight.....	790g

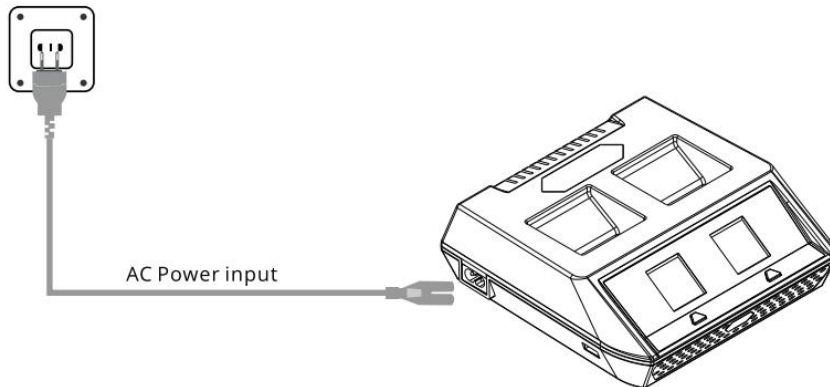
Product specifications and information in this manual are for reference only. If the content is subject to change without further notice.


Features

- Dual fast charge circuit, 6A output per channel, makes charge speed more faster.
- Dual TFT color screen, it display the charge time, cell voltage, real-time battery capacity and capacity percentage.
- Storage function is specialized designed for Typhoon H480 drone battery, it will charge or discharge cell voltage to 3.85V automatically.
- AC Input 100-240V for worldwide use, no more adapters required.
- Plug and play, easy to operation.
- Short circuit, over current and over temperature protection, safer and more reliable

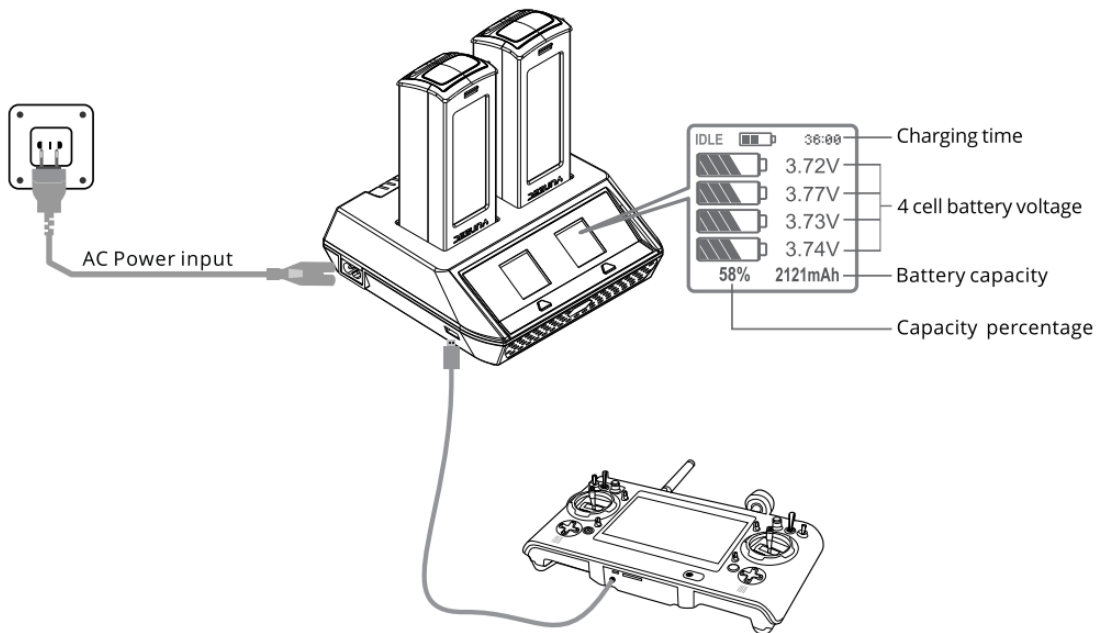
Operation instruction

1. Plug the AC power cord to the charger and AC 100-240V socket



 Make sure all outputs are free situation, before connecting AC power

2. Insert the battery to charger port (Corresponding screen will display real-time battery information)
3. Connect the transmitter charging cable into 5V/2.0A output port of charger.



Button operation instruction

Charge: charger will start charging once press button; press button again to stop charging and come back to standby mode.

Storage: Press the button for more than 2 seconds, charger will enter into storage mode; press button again to stop stotaging and come back to standby mode.