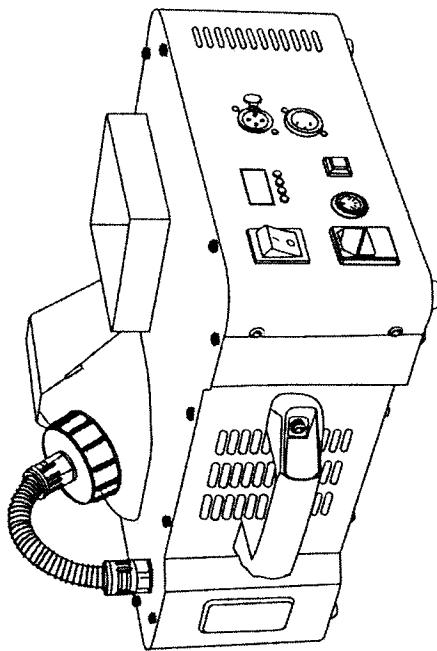
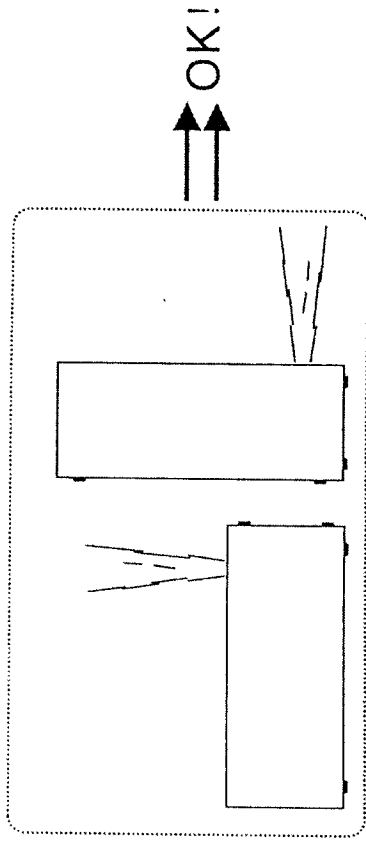


**LED & FOG MACHINE
USE MANUAL
LCG-LED900**

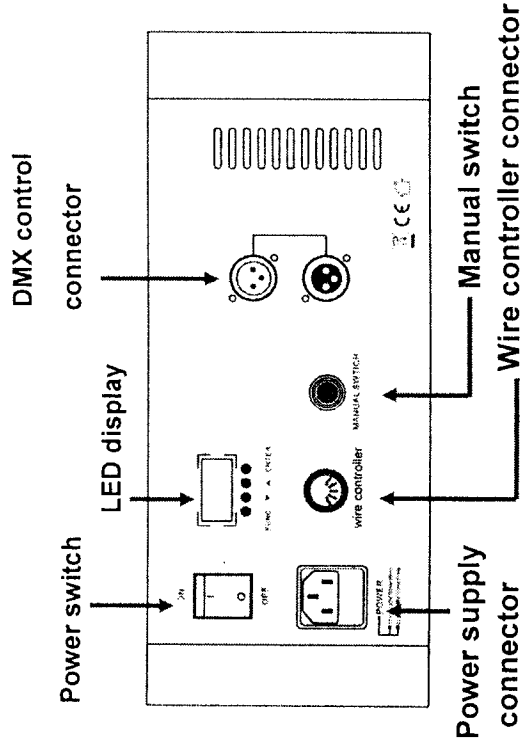


Please read the manual before use the machine

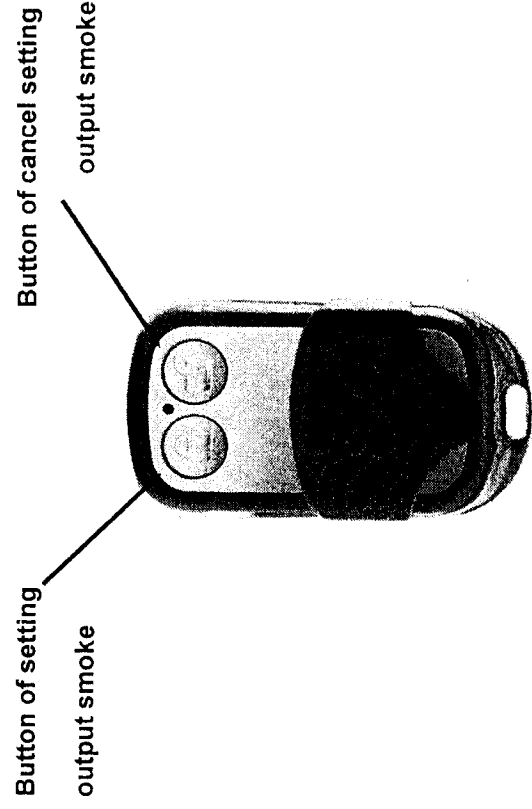
This machine have two working state type.
It can output as the following picture.



Machine back side instruction



Remote control



- Technical parameter
- Voltage: AC120V
- Power: 900W
- Lamp: 3W *9pcs(red 3pcs +green 3pcs+blue 3pcs)
- Fog machine control: manual control, wire controller, remote control and DMX control
- LED control: manual control and DMX control
- DMX channel: 7CH

LED & FOG MACHINE INSTRUCTION MANUAL

In order to let the customers use our series production more easily and safely, it is better to read the instruction before using our series production. Please obey the regulation in the manual.

We are not responsible for the error operation which is out off the manual.

1. Regulations:

- Before using, please make sure power supply is rated voltage. Please check against the voltage parameter which is on the backboard of the smoke machine whether it is matched in the using place.
- Smoke machine must be placed at the ventilation place of indoor, but not where is the air flow less, otherwise the fuse will be broken and the machine can not heat up.
- Before refilling the smoke liquid, please shut down power supply. Before refilling, please pay attention that the smoke liquid can not flow into machine inner part, or electric circuit will break.
- The supply and unplug should be turned off after using.
- The smoke machine is un-waterproof, if some vapor or smoke liquid enters the inner part of the machine, please shut down power supply immediately and contact with your supplier.
- Never drink liquid. If it is ingested, call a doctor immediately. If liquid comes in contact with skin or eyes, rinse thoroughly with water.
- The machine does not have any maintenance tools for the user. Please do not reset the machine and open the machine structure by yourself in order to avoid any danger.

2. In order to avoid any fire or danger, please follow the instructions below:

- This machine is only for adults. Please keep it far away from children.
- Do not spray to human body directly and keep it far away from inflammable and explosive goods.
- Do not keep the spray nozzle between targets more than 5 meters when using, as the output smoke temperature is very high. The maximum temperature of the machine surface may reach 40-80°C, please do not touch.
- The smoke machine should be placed in a well-ventilated area. Do not cover the whole machine with anything, it will cause the heating effect to be blocked, and may catch fire at too high a temperature.
- Do not let the machine get in contact with the ground, carpet, or wood. Keep the machine away from ground more than 50cm vertically and do not put any inflammable and explosive goods around 300cm.
- Usually, the fog machine can not be hung up. If hanging up is needed,

please fix the machine hard and in balance by the attached tool with the machine. In this case, around 2m² vertically, please do not put any inflammable and explosive goods and guarantee air flow in good condition.

- Can not add any easy burning liquid in the oil tank, such as oil, gas, or any other.

3. Other notices:

- Put the machine on a level place, open the oil tank, and then refill the high quality fog liquid inside. In order to keep the smoke oil clean, please immediately cover the tank after refilling the smoke liquid.
- The power cable should be plugged into the outlet with the earth wire, put the backside switch to "ON", the smoke machine is heating up immediately. Never add flammable liquids of any kind (oil, gas, perfume) to the liquid.
- Always check the liquid level.
- In case of smoke, the pump may make more noise, or smoke may not spray, please cut off the power supply immediately, check the fog liquid quantity, fuse, remote control connector, and the power supply plug. If the problem still cannot be solved, please contact your supplier.
- High quality fog liquid is recommended. All smoke machines will be jammed or damaged by the no good fog liquid or duty fog liquid. If so, maintenance will not be available.
- Please clean the machine with a dry cloth, and store it in a clean condition. Operation notice:
 - All smoke machines have a condensation function, before setting the machine, please consider whether spraying nozzle condenses the water vapor or dampness around.
 - Occasionally the smoke machine will have a little smoke output during/after working.
 - Normally, less vapor or smoke may happen when the machine works for the first time.

Maintaining:

Please clean the machine regularly, it will reduce the cost of spare parts replacement and repair expenses.

Please clean dust in the heat-proof tube by 20% vinegar and the 80% distilled water after the machine runs for 40 hours.

- Take out the fog liquid out, and refill the above cleanings, contact power supply then warm up machine.
- Keep it working until the cleanings run out in the enough space.

4. Opening the package and inspection the machine

When opening the machine please make sure all the parts are included for proper operation, and check if there is any damage caused by the transportation. Shall you find any defects please do not plug in the machine, make sure to contact your supplier.

The following parts should be included when the machine shipped from the factory:

- One LED & fog machine
- One power cable
- One remote controller
- One wire controller
- One user manual.

5. Machine controller type and operation instruction

- That has 3 types control output: manual control, remote control and DMX control.
- **Special attention:** Some character which show on display screen can not adjustment from regular menu, the display character shows as meaning as below:
 - * When the screen display , is remote pairing code. Each machine can be paired up to five different addresses code remote control, with same address code of the remote control different machines can be use same one. If within this time, then the remote control will automatically exit into the working state when unpaired in 30 seconds.

- * When the screen display , at this time the machine in the heating state.
- * When the screen display , at this time the machine has been preheated is completed, can smoke. But not on DMX control.

5.1 Manual control instruction

- First of all, please connect power cable and press power switch, the fog machine start heating up after has power supply, and the LED display will show which on the back side, it means the machine heating up, and will finish after 4 minutes.

After heating up finished, the LED display will not show , will show on standby status.

- In this time, please press red switch which on back side, and machine will output smoke.

5.2 Manual operation steps for LED display screen

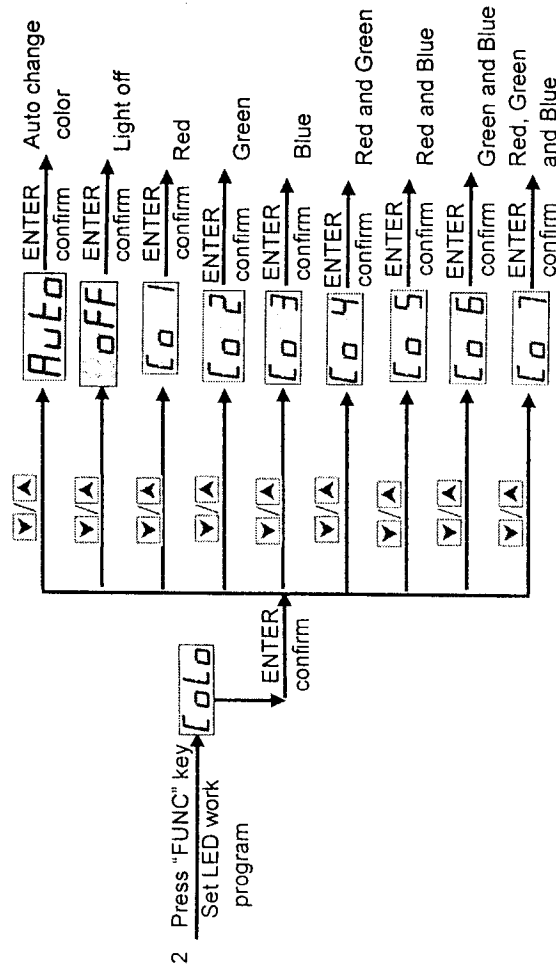
Notice: Press key of "FUNC", enter menu;

Please press key of "FUNC" to choose the menu what you want, and then press key of "ENTER" to confirm; Or you can press the button of or to choose menu, and then press key of "ENTER" to enter menu; The last is press key of "ENTER" to keep the setting.

Anytime you press key of "FUNC" again that can exit the sub-menu, return to the previous directory. And press key of "FUNC" continue will fast enter setting.

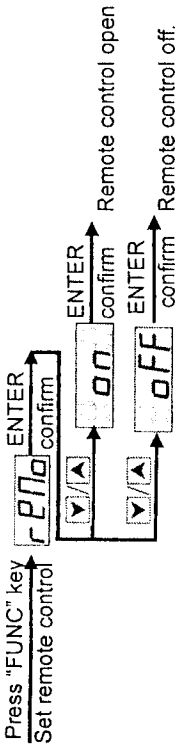
- 1 Press "FUNC" key, Set DMX address to to Enter confirm DMX address

Remark: This machine is designed DMX signal priority. When the DMX control signal into, screen will displayed the current setting address code, at this time the remote control function and the manual button functions will be unavailable.



Remark: After set the color, it will be reflected in the smoke output state.

5.3 Set remote control detail operation steps instruction:



Remote control pair explain:

5.3-1 If display screen show , its for remote control pair code. At this time, please press any key of remote sender to lock this remote control instead of the previous pair remote control. And then this remote control can be matched with the pairing machine. Usually each machine can be paired up to five different addresses code remote control, with same address code of the remote control different machines can be use same one.

For example: if you need matching five different remote control, after the first remote control paired success, the display screen will show . And then you can continue paired second remote control and so on, successively it will show , and , after paired fifth remote control, machine will direct enter working state.

For example: if pair remote control quantity less than five, you may need to wait for 30 seconds to keep setting and then enter the working state.

After the success pair, a new remote control will instead of before setting remote control, so the previous pair will not working.

5.3-2 If display screen not show , Please setting from menu. Choose from menu, and then press "ENTER" button to enter sub-menu.

First, press the button of or to choose , and then press "ENTER" to confirm. .

Secondly, same steps to choose and confirm.

Third, after pair success, please reboot power supply, then remote control can work.

5.4 DMX signal control instruction: 7channels

Remark: This machine is designed DMX signal priority. When a DMX control signal into the current setting is displayed when the address code, this time the remote control function and the smoke machine hand button functions will be unavailable.

DMX channel	Channel values	requirement	Function
CH1	0-9		Smoke off
	10-255		Smoke output
CH2	0		Light closed
	1-255		Brightness adjust from dark to bright, worked together with other channel
CH3	0-20		Closed
	21-127		Select a fixed color
	128-255		Auto speed of change color, from slow to fast
CH4	0-9		Strobe off
	10-255		Strobe, speed from slow to fast
CH5	0	CH3≤20	Light closed
	1-255	CH3≤20	Red adjust brightness
CH6	0	CH3≤20	Light closed
	1-255	CH3≤20	Green adjust brightness
CH7	0	CH3≤20	Light closed
	1-255	CH3≤20	Blue adjust brightness