

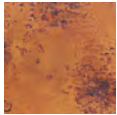
ARHAUS®

your home

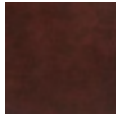
cahlo



Finishes:



Copper



Chocolate
Copper

Credenza

69" w x 18" d x 32" h

Copper 40COPPERMD

Chocolate Copper 40CHOCCOPMD

contemporary style classically crafted

Our Cahlo credenza complements chic, rustic surfaces with warm colors and hand-touched detailing. Each copper surface is carefully crafted by Mexican metal artisans from panels of recycled copper. Panels are hand-pounded onto solid hardwood cabinet doors and held over an open flame to produce unique coloring. Cabinet tops and frames are built from solid poplar wood supported by a forged iron base. When complete, artisans stamp each copper piece with a Monarch butterfly to signify its transformation and to honor the village responsible for its creation.

product details

- ▶ Recycled copper cabinet doors are built by Mexican metal artisans from panels of recycled metals hand-pounded onto solid hardwood.
- ▶ Copper cabinet doors are made from 100 percent recycled copper. Craftsman-built cabinet tops and frames are made from solid poplar wood supported by forged, solid iron bases.
- ▶ Subtle antiqued patinas are added to copper surfaces by holding each piece over an open flame to create unique color variations.
- ▶ Finished surfaces are coated with multiple layers of lacquer for added protection and subtle sheen.
- ▶ Upon completion, each piece is stamped with a Monarch butterfly to signify its transformation and to honor the artisans and the village responsible for its creation.
- ▶ Cabinet frames and tops feature a black finish coated in lacquer for added protection and subtle sheen.
- ▶ Iron bases feature a complementary distressed patina.
- ▶ Cord management holes accommodate electronics and appliances, keeping cords out of sight.
- ▶ Keep your furniture looking its best. Visit arhaus.com or speak to any Arhaus Design Consultant for care recommendations.



Parts Inventory

| Super Category | Product ID | Description | Stat | Collection | Route |
|----------------|--------------|--|------|------------|-------|
| DINING | 91CAHLODRHDL | CAHLO BAR DOOR HANDLE COPPER/CHOC FINISH | A | PT-CAHLO | PART |
| DINING | 91CAHLODRHNG | CAHLO BAR DOOR HINGE COPPER/CHOC FINISH | A | PT-CAHLO | PART |
| DINING | 91CAHLOHDW | CAHLO BAR HARDWARE COPPER/CHOC FINISH | A | PT-CAHLO | PART |
| DINING | 91CAHLOSHLF | CAHLO BAR SHELF SLAT/PEG COPPER/CHOC FINISH | A | PT-CAHLO | PART |

ARHAUS®

your home

chorus theory



94.5" Media Console

94.5" w x 18" d x 35.5" h

| | |
|------------------|--------------|
| Rustic Black | 40CHORTVKT |
| Rustic White | 40CHRTVWHKT2 |
| Rustic Blue | 40CHORTVRBKT |
| Barnwood Natural | 40CHORTVFNKT |
| Barnwood Brown | 40CHORTVBRKT |
| Grantham Grey | 40CHORTVGGKT |
| Benedict Brown | 40CHORTVBKKT |
| Earl Grey | 40CHORTVEGKT |

Media Consoles feature two drawers with drop-down fronts and cord management holes to accommodate electronics and media equipment.



80" Media Cabinet

80" w x 25" d x 32" h

| | |
|------------------|--------------|
| Rustic Black | 40CHR80TVBL2 |
| Rustic White | 40CHR80TVWH2 |
| Rustic Blue | 40CHR80TVRB |
| Barnwood Natural | 40CHR80TVFN2 |
| Barnwood Brown | 40CHR80TVBR2 |
| Grantham Grey | 40CHR80TVGG |
| Benedict Brown | 40CHR80TVBB |
| Earl Grey | 40CHR80TVEG |

Media Cabinets feature two removable shelves.



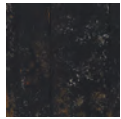
Single Glass-Door Cabinet

54.75" w x 19" d x 91.25" h

| | |
|------------------|--------------|
| Rustic Black | 40CHORSCABBL |
| Rustic White | 40CHORSCABWH |
| Rustic Blue | 40CHORSCABRB |
| Barnwood Natural | 40KEATS2 |
| Barnwood Brown | 40CHORSCABBR |
| Grantham Grey | 40CHORSCABGG |
| Benedict Brown | 40CHORSCABBB |
| Earl Grey | 40CHORSCABEG |

Single Cabinets feature four adjustable removable shelves and a 42" w x 13.5" d x 77" h cavity.

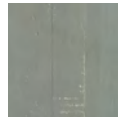
Finishes:



Rustic Black



Rustic White



Rustic Blue



Barnwood Natural



Barnwood Brown



Grantham Grey



Benedict Brown



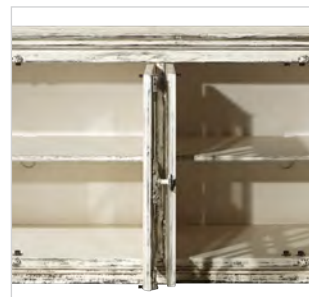
Earl Grey

in perfect harmony

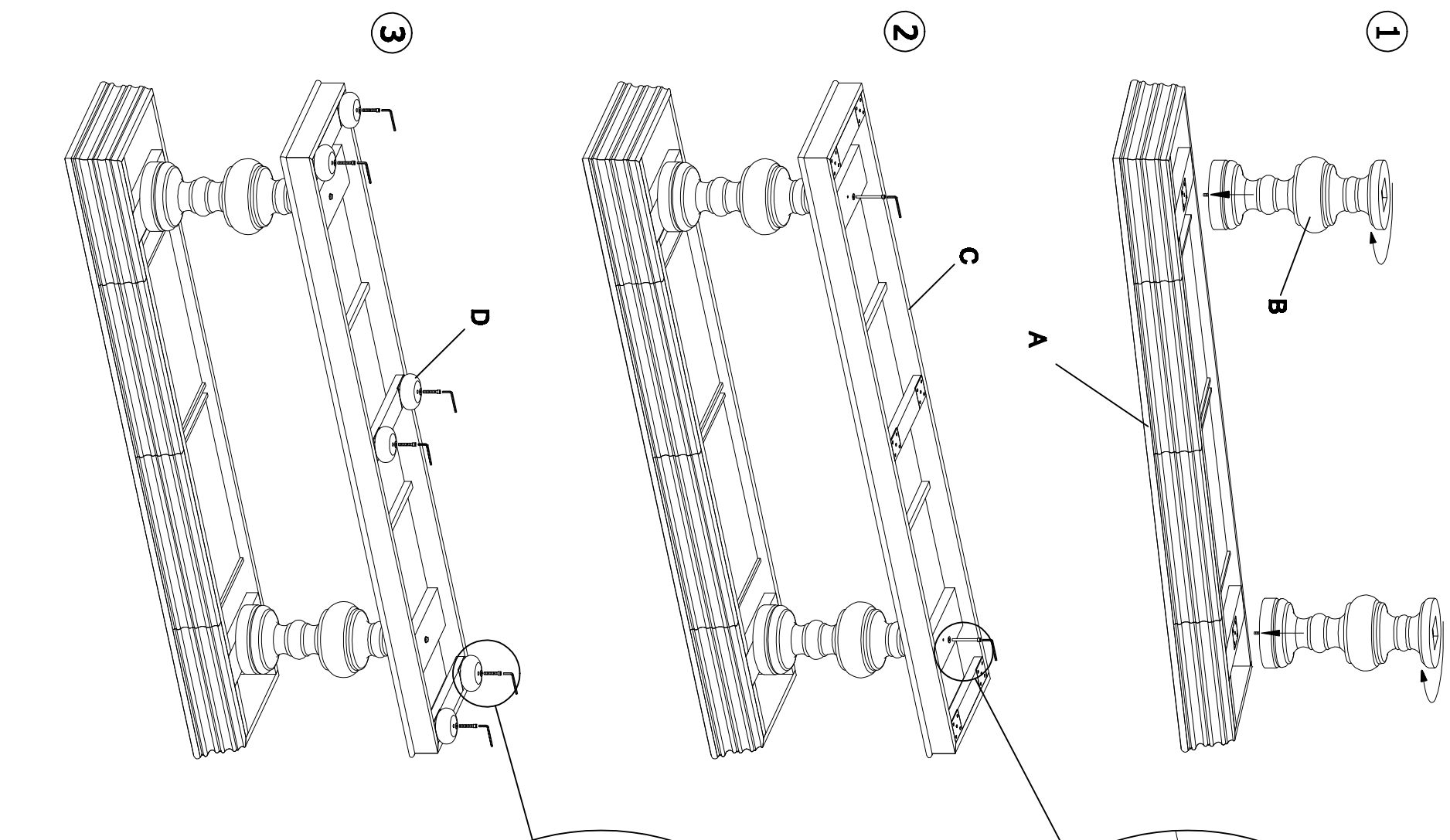
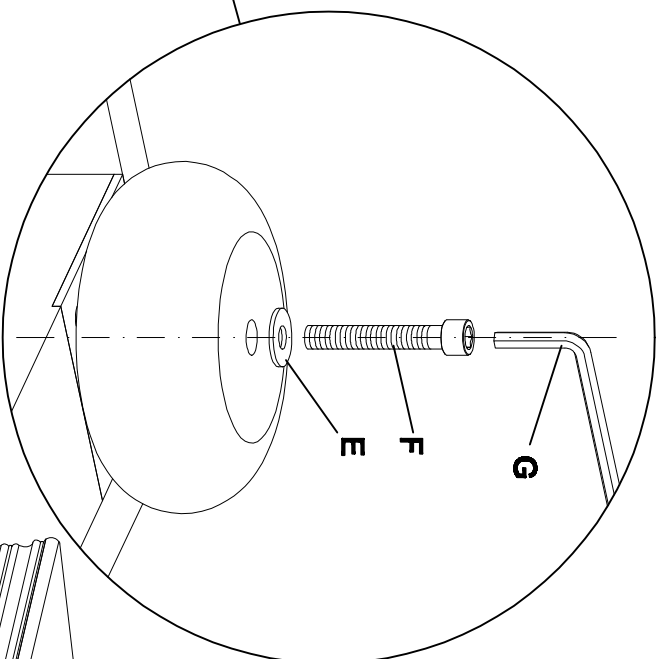
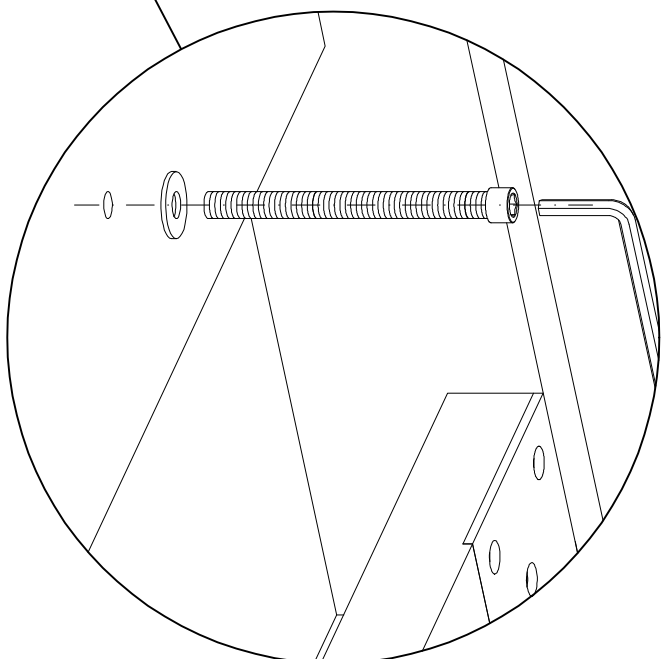
Designed for both function and style, our Chorus Theory collection is handcrafted to strike just the right notes in any space. Stunning storage and display pieces combine French casement details with neoclassical architectural elements. Craftsman-built from solid douglas fir, poplar, or reclaimed pine, each surface is softly hand-painted in versatile, neutral tones to complement your existing décor. Sophisticated finishes are accented with iron hardware and coated with lacquer for added protection and subtle sheen.

product details

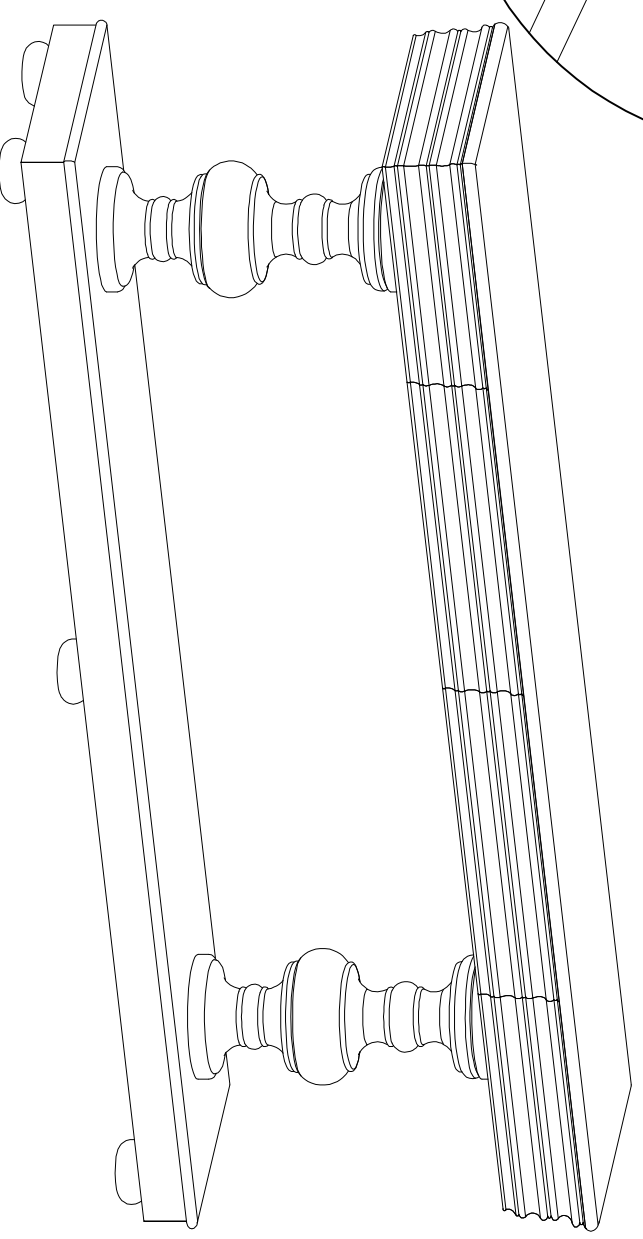
- ▶ Media Console bases are handcrafted from solid douglas fir—chosen for its strength and neutral tone.
- ▶ Frames and cases featuring our Benedict Brown and Earl Grey finishes are handcrafted from solid poplar and poplar veneers, chosen for their strength and neutral tone.
- ▶ Frames and cases featuring our Rustic White, Rustic Black, Rustic Blue, Grantham Grey, Barnwood Natural, and Barnwood Brown finishes are constructed from solid reclaimed pine and pine veneers.
- ▶ Other surfaces are constructed from solid reclaimed pine salvaged from old doors, homes, boats, and barns found in rural farming regions.
- ▶ In addition to its stunning natural features, our reclaimed wood is treasured in many of our collections as a contribution to preserving healthy and sustainable eco-systems.
- ▶ Artisan-applied finishes begin by bleaching our reclaimed pine to even its tone, and end with a coat of lacquer for added protection and subtle sheen.
- ▶ Barnwood Natural and Barnwood Brown finishes are achieved through light staining and waxing for a warm glow.
- ▶ Rustic Black, Rustic White, Rustic Blue, and Grantham Grey finishes are achieved through layers of paint and glaze to create a timeworn appearance.
- ▶ Earl Grey finishes are hand-painted, lacquered and waxed—accentuated with darker shades around edges for a naturally aged appearance.
- ▶ Benedict Brown finishes are hand-painted, lacquered, and waxed to reveal brown and grey highlights that complement the wood's surfaces.
- ▶ Wood finishes are accented with iron hardware, which is also lacquered to prevent oxidation.
- ▶ Keep your furniture looking its best. Visit arhaus.com or speak to any Arhaus Design Consultant for care recommendations.



| | | |
|----------|--|----------|
| A | | 1 |
| B | | 2 |
| C | | 1 |
| D | | 6 |
| E | | 8 |
| F | | 8 |
| G | | 1 |

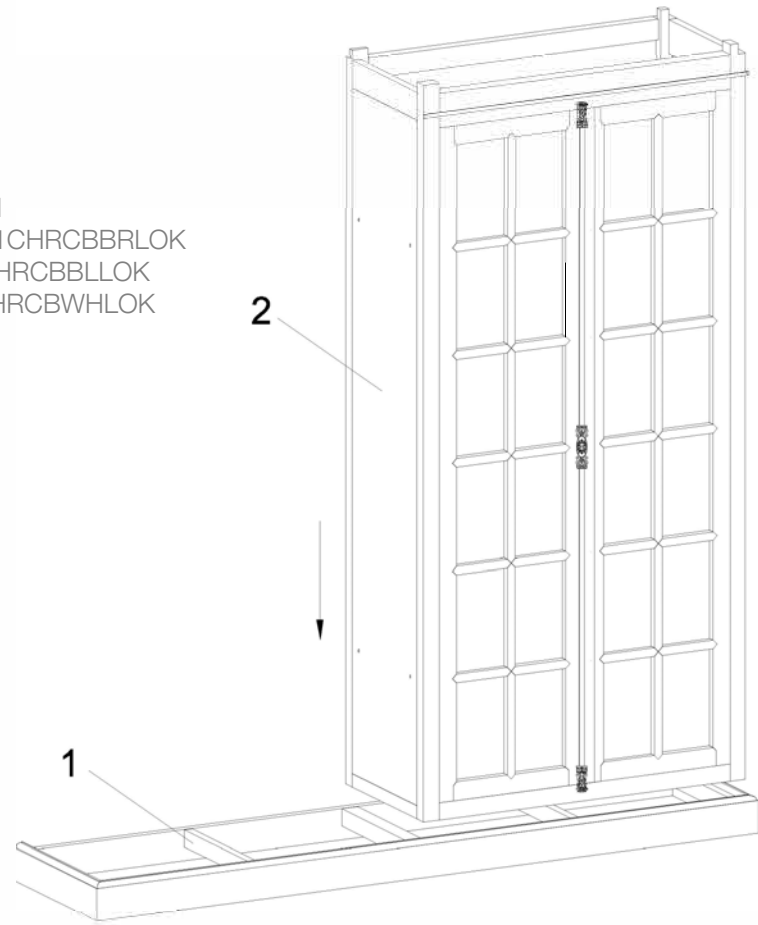


Finished:

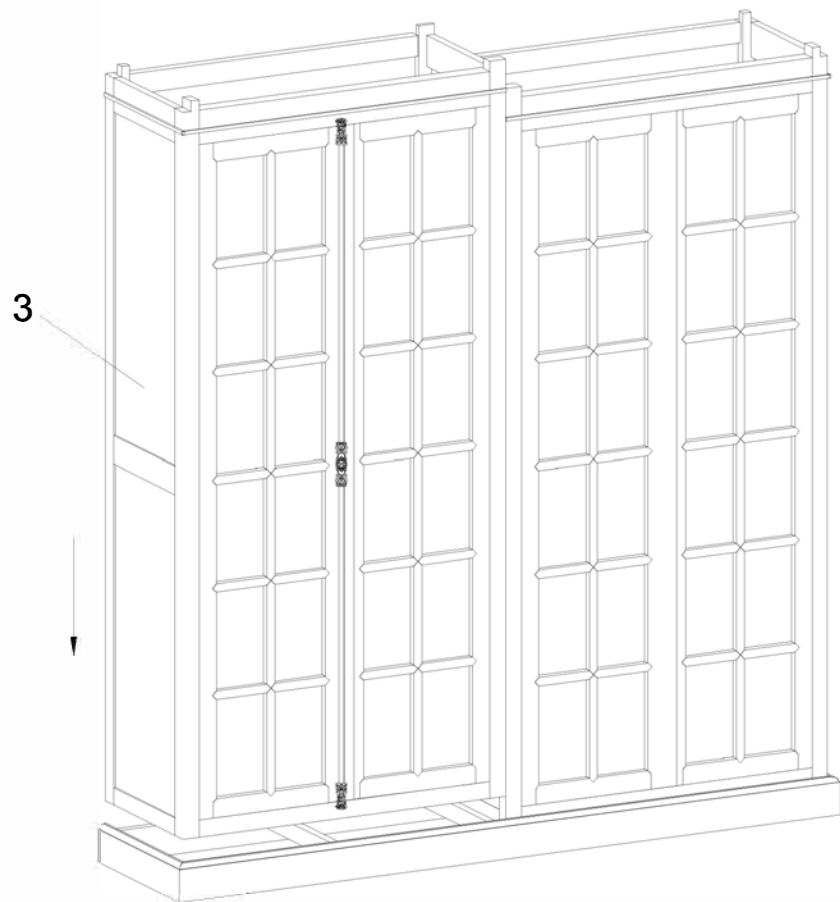


①

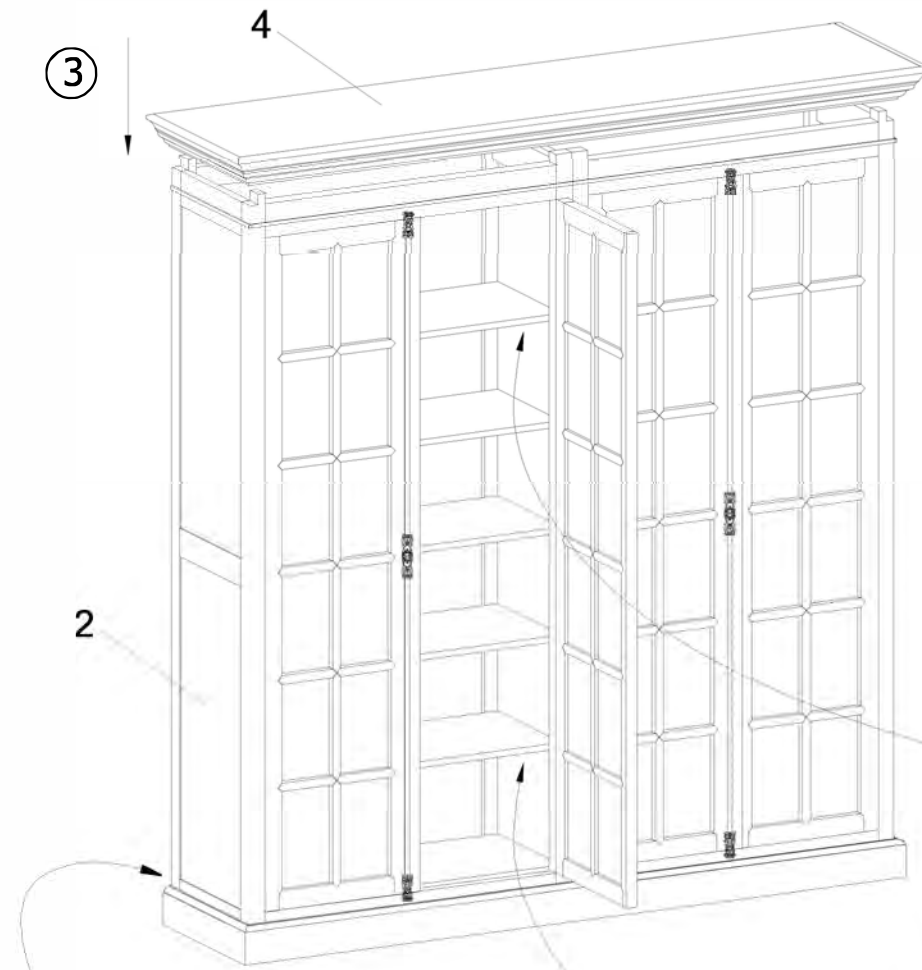
LOCK MECH
 NATURAL: 91CHRCBBRLOK
 BLACK: 91CHRCBBLLOK
 WHITE: 91CHRCBWHLOK



②

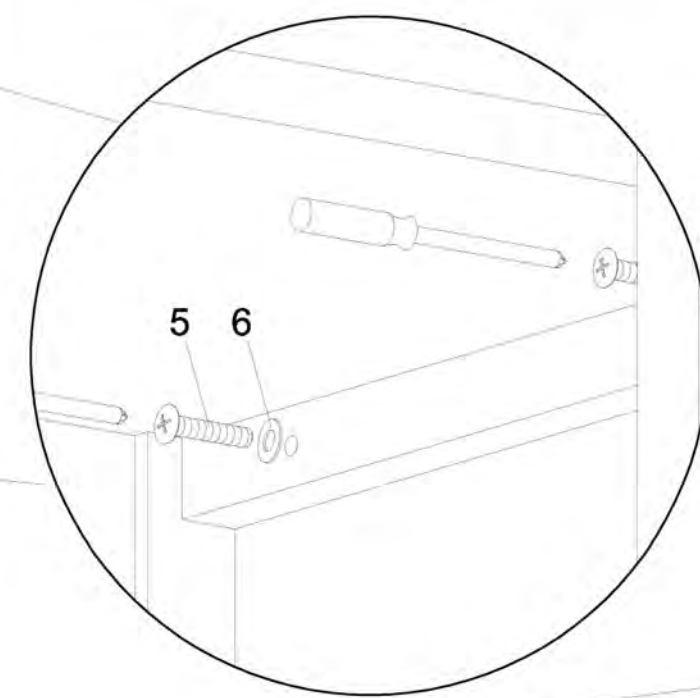
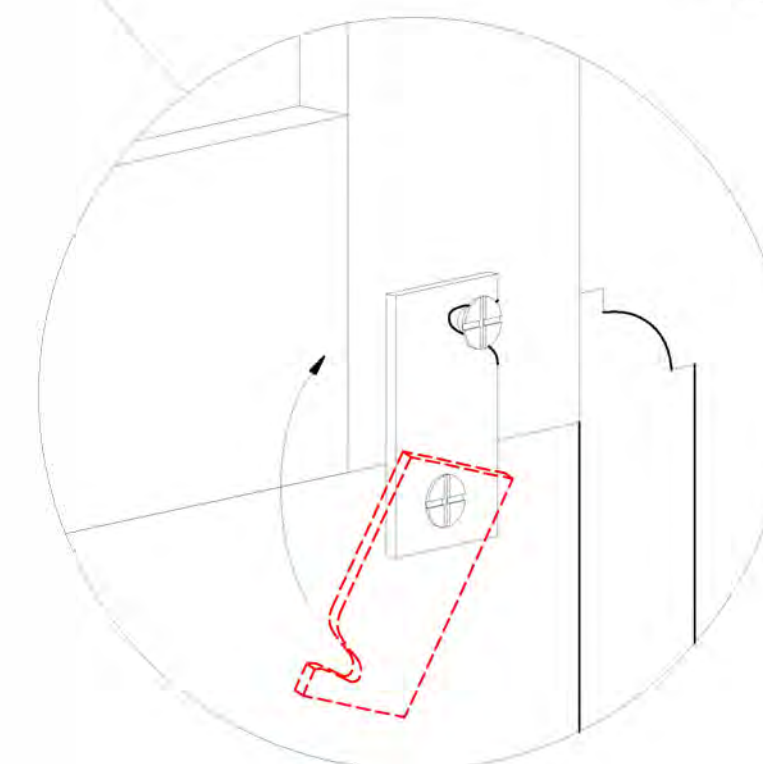


③



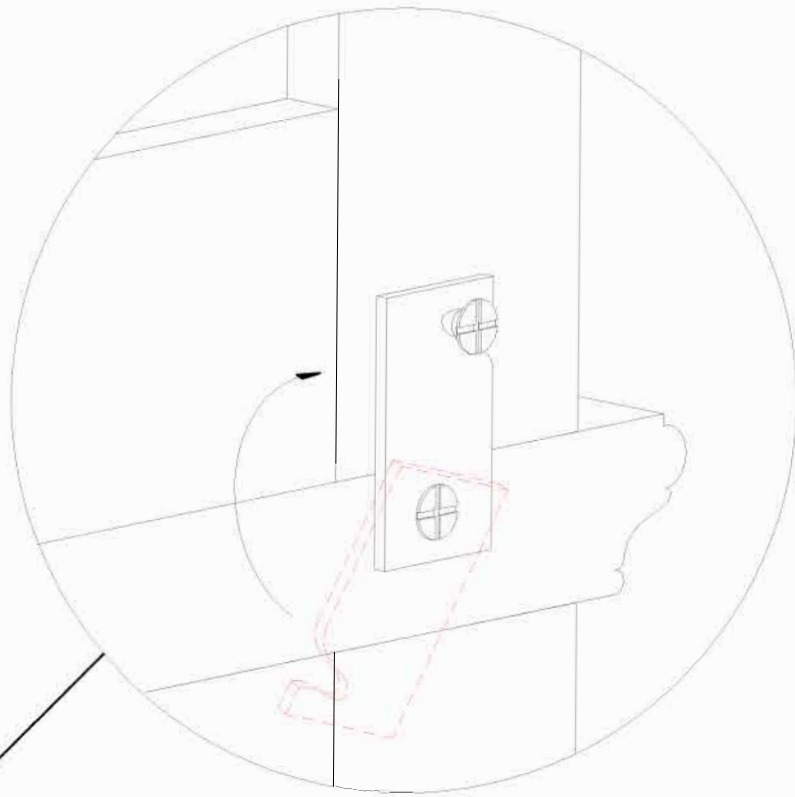
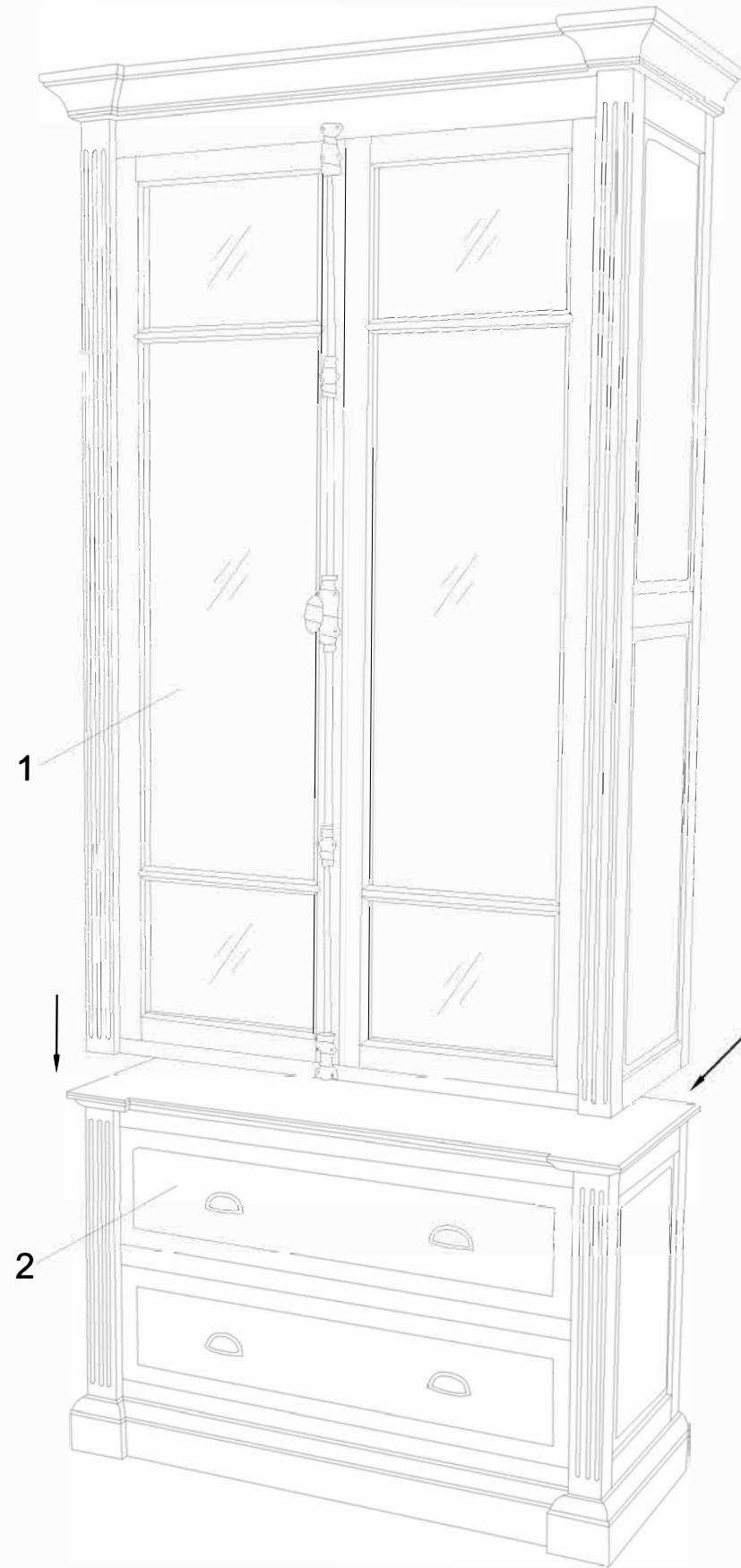
| | | |
|---|--|---|
| 1 | | 1 |
| 2 | | 1 |
| 3 | | 1 |
| 4 | | 1 |
| 5 | | 4 |
| 6 | | 4 |



HARDWARE: 91769CHORUS

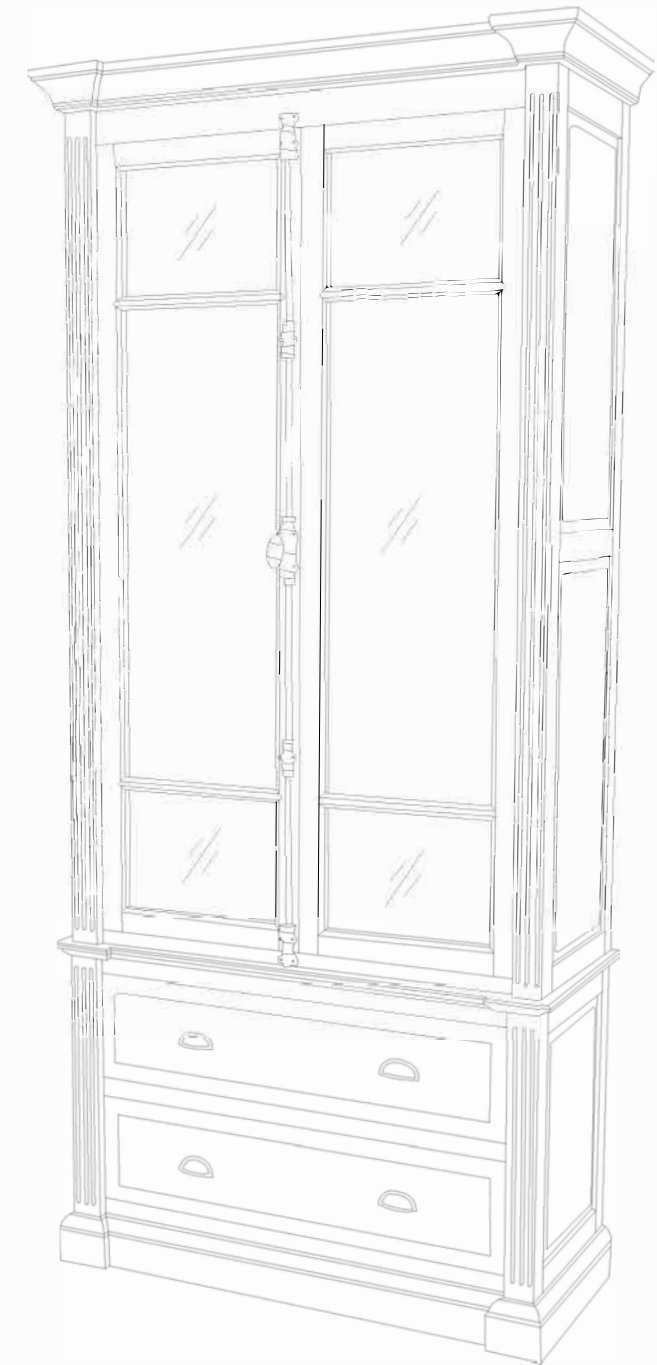


1 / 1

04/24/2014



| | | |
|---|---|---|
| 1 |  | 1 |
| 2 |  | 1 |



WALL PARTS SKUS

| Super Category | Product ID | Description | Collection | Route |
|----------------|---------------|--|------------|-------|
| WALL | 40CHORLKMECH | CHORUS HANDLE AND BRCKT BLK LOCK HANDLE & BRACKET NO POLE | PT-CHORUS | PART |
| WALL | 91CHR80BLLOK | CHORUS THRY 80 MEDIA LOCK MECH BLACK | PT-CHORUS | PART |
| WALL | 91CHR80BRLOK | CHORUS THRY 80 MEDIA LOCK MECH NATURAL | PT-CHORUS | PART |
| WALL | 91CHR80BULOK | CHORUS THRY 80 MEDIA LOCK MECH BLUE AND GREY | PT-CHORUS | PART |
| WALL | 91CHR80WHLOK | CHORUS THRY 80 MEDIA LOCK MECH WHITE | PT-CHORUS | PART |
| WALL | 91769CHORUS | CHORUS THRY BKCS ASSEMBLY HW BOOKCASE ASSEMBLY HARDWARE | PT-CHORUS | PART |
| WALL | 91CHRCBBLOK | CHORUS THRY CAB LOCK MECH BLACK | PT-CHORUS | PART |
| WALL | 91CHRCBBRLOK | CHORUS THRY CAB LOCK MECH NATURAL | PT-CHORUS | PART |
| WALL | 91CHRCBBULOK | CHORUS THRY CAB LOCK MECH BLUE AND GREY | PT-CHORUS | PART |
| WALL | 91CHRCBWHLOK | CHORUS THRY CAB LOCK MECH WHITE | PT-CHORUS | PART |
| WALL | 91769CTHING | CHORUS THRY HINGE | PT-CHORUS | PART |
| WALL | 40CHORBLHCVR | CHORUS THRY HOLE COVER BLK | PT-CHORUS | PART |
| WALL | 91769HANDLE | CHORUS THRY TALL CAB HNDL MECH HANDLE LOCK MECH | PT-CHORUS | PART |
| WALL | 91CHR86NSSL13 | CHORUS THRY TCAB SPRT NAT 13 FOR 86" NATURAL TALL CABINET | PT-CHORUS | PART |
| WALL | 91CHR86NSSL14 | CHORUS THRY TCAB SPRT NAT 14 FOR 86" NATURAL TALL CAB | PT-CHORUS | PART |
| WALL | 40CHORTVBLFT | CHORUS THRY TV FEET BLK | PT-CHORUS | PART |
| WALL | 91CHORTVBRFT | CHORUS THRY TV FEET BROWN | PT-CHORUS | PART |
| WALL | 91LTCTBLSLAT | CHR THRY BLK TALL CAB LT SLAT BLACK TALL CAB | PT-CHORUS | PART |
| WALL | 91LTCTBUSLAT | CHRS THRY TALL CAB LT SLAT BLU BLUE 40CHORSCABRB | PT-CHORUS | PART |
| WALL | 91RTCTBUSLAT | CHRS THRY TALL CAB RT SLAT BLU BLUE 40CHORSCABRB | PT-CHORUS | PART |



SIDEBOARD

80" w X 18" d X 30" h

Braun

Loura

40COREYSDBN

40COREYSDLA

CHIC WARMTH FOR ANY SPACE

Transforming from accent décor to focal point in any room, our Corey Burl Sideboard is a versatile piece that fits seamlessly into any home aesthetic. Eye-catching burl wood prized for its unique beauty is hand-finished to illuminate every swirling wood grain detail with warm honey or rich brown color tones. Resting on a modern platformed plinth, the Corey Burl Sideboard combines textured warmth with modern style to create a dynamic statement wherever your décor leads.

PRODUCT DETAILS

- + Swirling mappa burl wood is book matched across all four panels to create stunning visual interest and texture.
- + Sophisticated sideboard can be styled anywhere from media console to dining buffet or bedroom storage, the possibilities are endless.
- + Four cabinet doors feature subtle edge pulls with an antique bronze finish.
- + Two adjustable, removable shelves and cord management holes accommodate electronics and media devices.
- + Rests on a 1.25" tall plinth for added height with a touch of modern style.
- + Sideboard is artisan-crafted from natural materials with hand-applied finishes. Individual pieces may vary in color, pattern, and shape, making each truly unique.
- + Keep your furniture looking its best. Visit arhaus.com or speak to any Arhaus Design Consultant for care recommendations.

FINISHES:



Braun



Loura

NEED HELP?

Visit a store, call **866.427.4287**, or **live chat** with our Design Team to learn more.



CURIOSITY
wall collection
made in INDONESIA

Where character shines and treasures live.

Inspired by the design of apothecary cabinets, this collection is comprised of four sections of differing heights, allowing these pieces to be grouped together as a grand wall cabinet or configured separately throughout your living space. Made by Indonesian artisans

skilled in the art of woodworking and wood-finishing, the design brings together oak solids, oak veneers and tempered glass doors framed in antiqued iron. This collection is one of true artistry, where vintage style and versatile function shine.

| | | |
|---|--|--|
| <p>NATURAL WOOD</p> <p>Each piece will have slightly different shading and grain patterns and due to the nature of a multi-layered finish that is hand-applied by our craftsmen, there will be variation from piece to piece. Some small splits may occur, but will only add to the character. Knots and joint lines are a natural property and add interest but without affecting performance. All natural wood will display movement from season to season because of changes in temperature and humidity.</p> | <p>HANDCRAFTED QUALITY</p> <p>Arhaus furniture is made with great care and attention to detail. Our collections are distinctive, designed to bring pleasure to you in your home for years to come. Each piece is handcrafted, made using traditional skills and techniques, and hand-painted, distressed and finished to ensure each item becomes an heirloom in your home.</p> | <p>RENEWABLE RESOURCES</p> <p>Arhaus is unique in our commitment to preserving natural resources. Our Corporate Rainforest Policy states that we will not sell merchandise made of timber from the world's endangered rainforests. In all cases, the wood was harvested from renewable resources.</p> |
|---|--|--|

All dimensions can vary slightly due to the hand-built nature of our furniture.



2 Cubby Cabinet

22" w x 16" d x 35.5" h

Oak 40CUR2CAB

Ashland Black 40CUR2CABBL

3 Cubby Cabinet

22" w x 16" d x 51.5" h

Oak 40CUR3CAB

Ashland Black 40CUR3CABBL

4 Cubby Cabinet

22" w x 16" d x 67.5" h

Oak 40CUR4CAB

Ashland Black 40CUR4CABBL

5 Cubby Cabinet

22" w x 16" d x 83.5" h

Oak 40CUR5CAB

Ashland Black 40CUR5CABBL

Ascending Wall Cabinet

40CURASCNDKT

132" w X 16" d x 83.5" h

Grand Display Wall Cabinet

40CURGRNDKT

220" w X 16" d x 83.5" h

Doors

19" w x 14.5" d x 15" h

Drawers

18.5" w x 12.5" d x 4.625" h



Oak



Ashland Black

finish

- ▶ Artisans hand-finish oak solids and oak veneers with a multi-layer finish process.
- ▶ A final layer of soft lacquer is applied for added protection.

construction

- ▶ Constructed using mortise and tenon assembly.
- ▶ Handcrafted of solid oak and oak veneers by skilled woodworking artisans.
- ▶ Tempered glass doors are contrasted in antiqued iron.
- ▶ Drawers are handcrafted with soft close metal glides.

recommended care

- ▶ Spills should be removed immediately with a damp cloth.
- ▶ Dust with a soft, dry cloth and buff occasionally with Guardsman® Wood Polish.


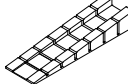
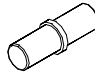
- ▶ Always use protection such as coasters and table pads beneath all objects to preserve the finish and natural characteristics of the wood.
- ▶ Avoid exposure to direct sunlight, as it may cause discoloration.
- ▶ Avoid exposing your furniture to excessive heat (e.g. by placing it in front of a radiator) as this can cause cracking and potential fading of the wood; a minimum 30 cm clearance from heat sources is advised.
- ▶ Do not drag this piece(s) across the floor as this will cause damage or weaken joints.
- ▶ Do not use care products that contain ammonia or silicone, as this will cut through the lacquer finish (over time) and damage your piece.
- ▶ For iron hardware, we recommend using a damp cloth. You may use a mild soap if necessary. Towel dry.

40CUR2CAB
40CUR3CAB
40CUR4CAB
40CUR5CAB

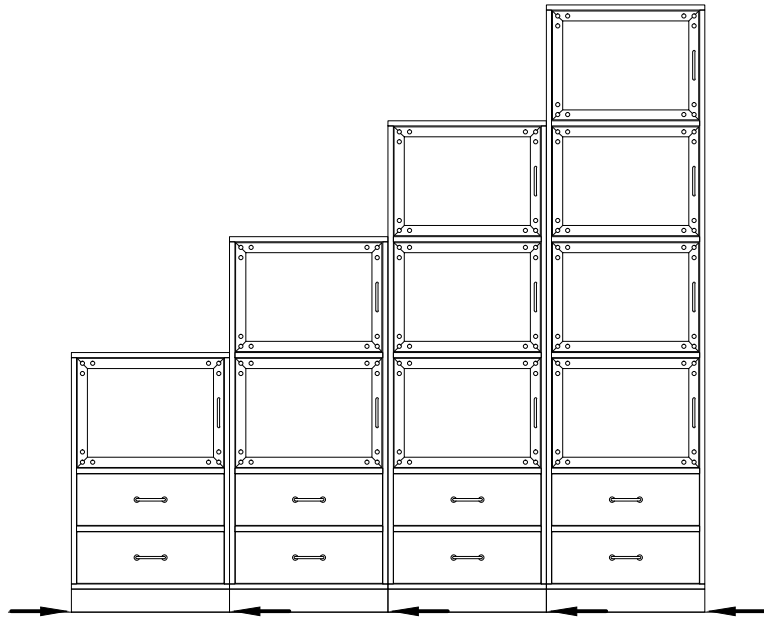
Assembling Instruction Curiosity Cabinets (719.809)

40CUR2CABBL
40CUR3CABBL
40CUR4CABBL
40CUR5CABBL

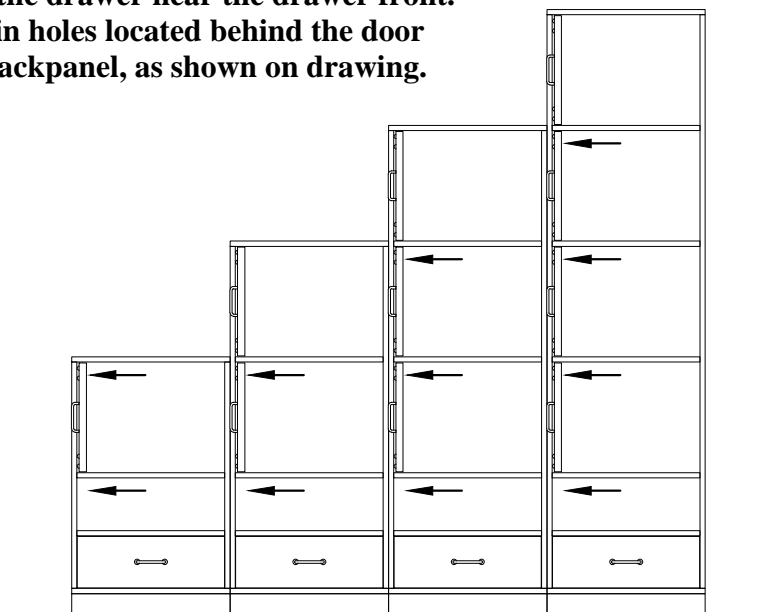
Hardware

A =  = 8 Pcs B =  = 4 Pcs C =  = 16 Pcs

1 Level the units next to each other so all line up 100% by using wedges.



2 To secure the units, remove the top drawer by releasing the quick-lock located under the drawer near the drawer front. Install screws in holes located behind the door and near the backpanel, as shown on drawing.



NATURAL SHELF: 91CURNATSHLF
HANDLES: 91CURBLKHND

WALL PARTS SKUS

| Super Category | Product ID | Description | Collection | Route |
|----------------|--------------|---|------------|-------|
| WALL | 91CURNATSHLF | CURIOSITY CAB SHELF NATURAL 56.112.702.00 | PT-CURISTY | PART |
| WALL | 91378CURRET | CURIOSITY CAB SLATS / SCREWS GLASS RETAINER | PT-CURISTY | PART |
| WALL | 91CURBLKHND | CURIOSITY HANDLES ASHLAND BLACK AND NATURAL HAND | PT-CURISTY | PART |

ARHAUS®

your home

divya



3-Door Cabinet

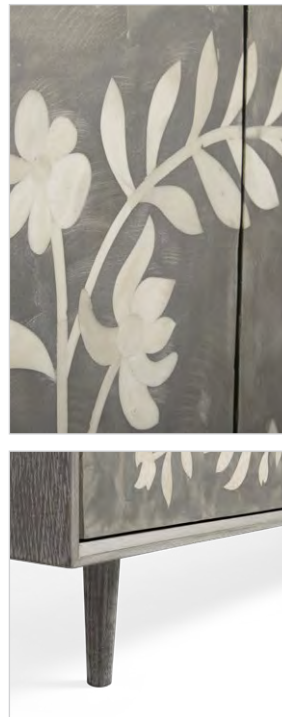
63.5" w x 18.5" d x 31.5" h
40DIVYACAB

authentic artisan craftsmanship

Over two years in the making, in collaboration with artisans in the remote city of Udaipur, India, our Divya cabinets are inspired by traditional designs and authentic artistry passed down from generation to generation. These modern, handcrafted case pieces feature mosaic floral motifs—hand-drawn by our designer—reminiscent of the naturally elegant jasmine found growing amongst the palaces and lakes of Udaipur. Each cabinet door takes ten days to complete, as artisans select and shape each bone by hand. As our artisans are non-violent and strict vegetarians, our bone is humanely sourced from naturally deceased water buffalo that roam the streets and countryside of India.

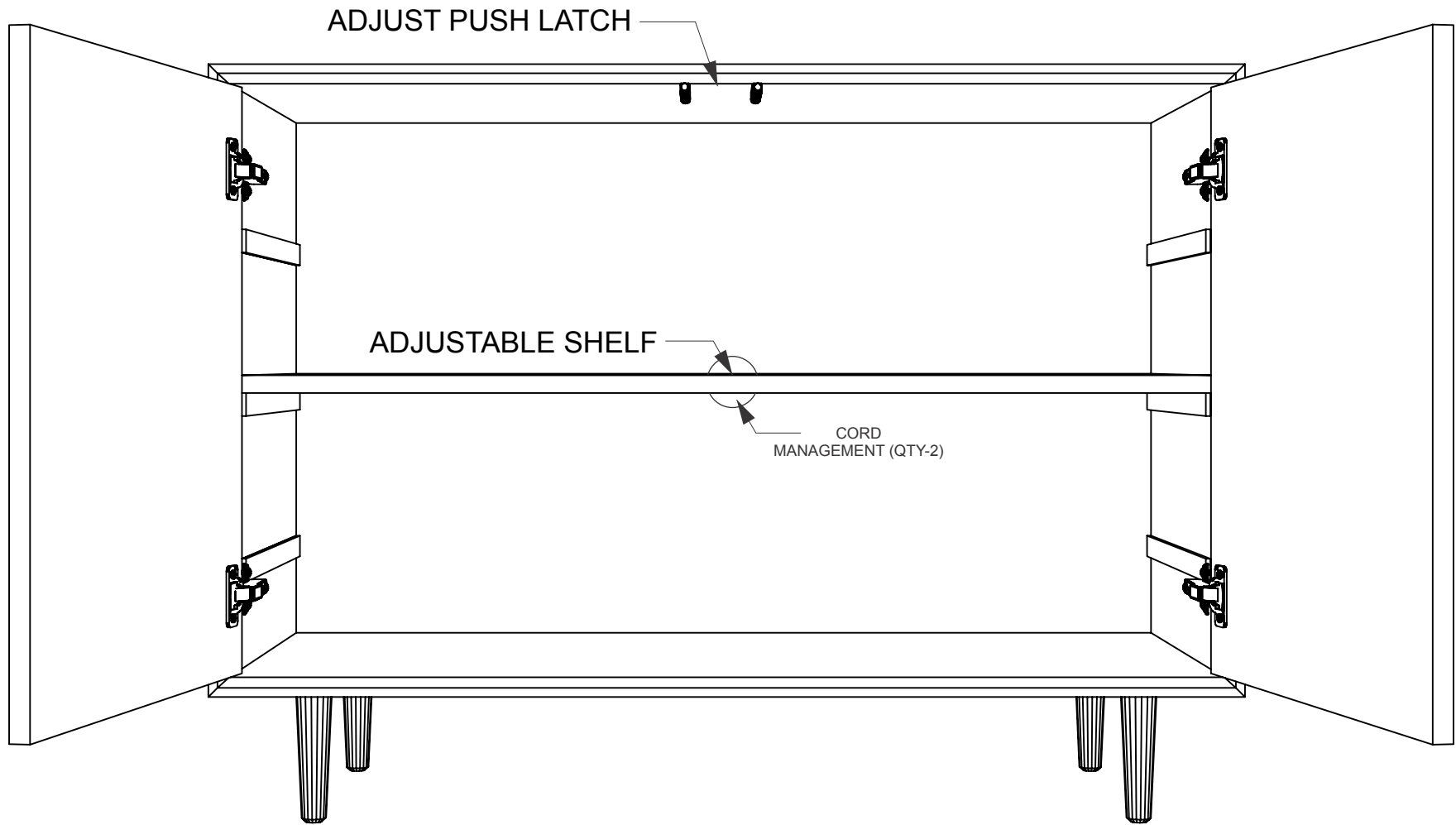
product details

- ▶ Cabinets are handcrafted by artisans in Udaipur, India. Frames are built using solid oak wood, oak veneers, and engineered hardwood that is painted and finished by hand.
- ▶ Bone inlaid into cabinet doors is selected, shaped, polished, and smoothed by hand, before being placed carefully, one at a time onto each door.
- ▶ Due their hand-crafted nature, each cabinet door features a unique combination of inlay shapes. While their overall design remains consistent, no two cabinets will appear exactly the same.
- ▶ Bone used in this collection is ethically and sustainably sourced from naturally deceased water buffalo, which roam the streets and countryside of India.
- ▶ As our artisans are non-violent and strict vegetarians, each piece is constructed without conflict.
- ▶ Resin is poured over cabinet doors, securing inlays to the cabinet's surface and providing contrast to accentuate the elegant floral motif.
- ▶ Resin surfaces are sanded and finished by hand, creating a concrete-like texture with high and low tones that contrast the warm bone and painted wood.
- ▶ Wooden surfaces are hand-painted to complement the cabinet's doors. A coat of clear lacquer provides added protection and a subtle sheen.
- ▶ Cord management holes accommodate electronics and bar appliances.
- ▶ This collection is artisan-crafted from natural materials with hand-applied finishes. Individual pieces may vary in color, pattern, shape, and texture, making each truly unique.
- ▶ Keep your furniture looking its best. Visit arhaus.com or speak to any Arhaus Design Consultant for care recommendations.



divya | wall collection | made in India

Dimensions may vary slightly. Please ensure furnishings fit through interior structures and into desired space before purchase.

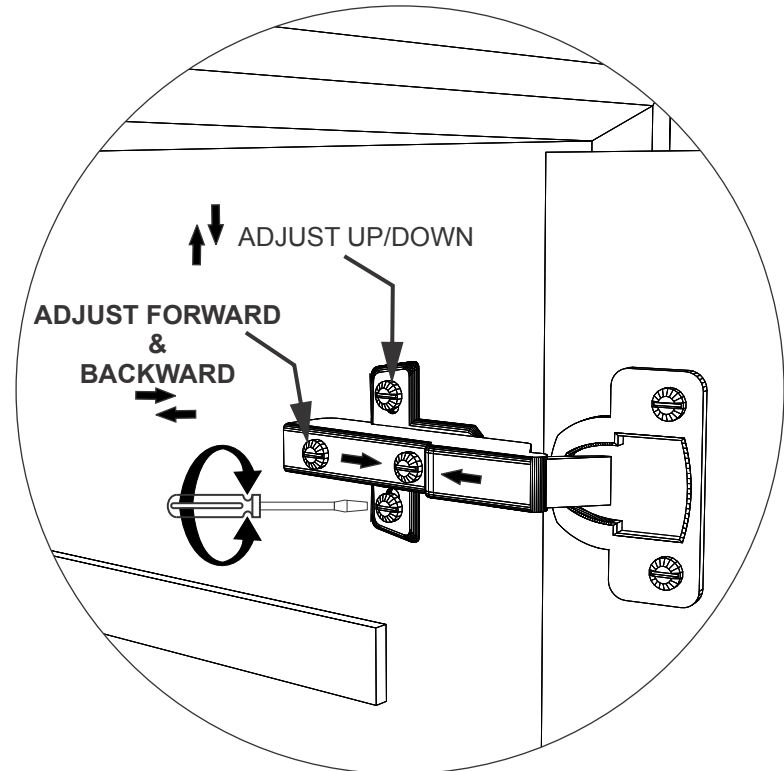
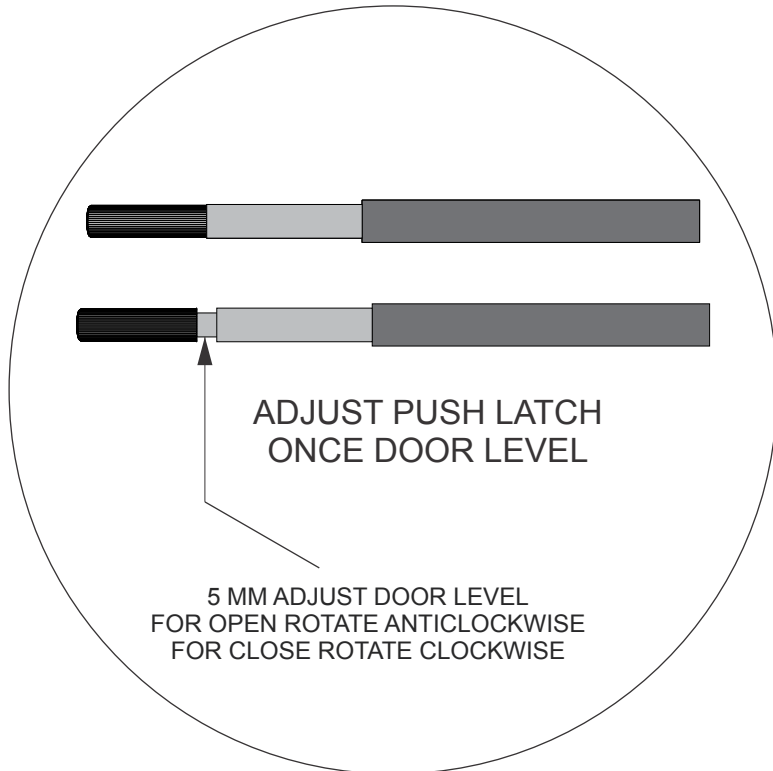
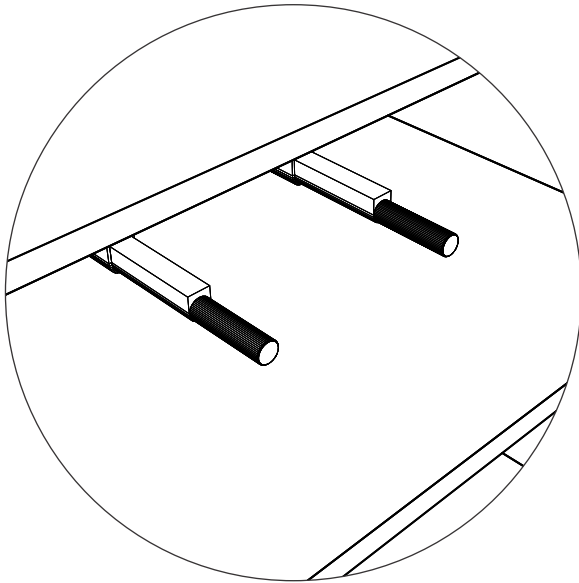


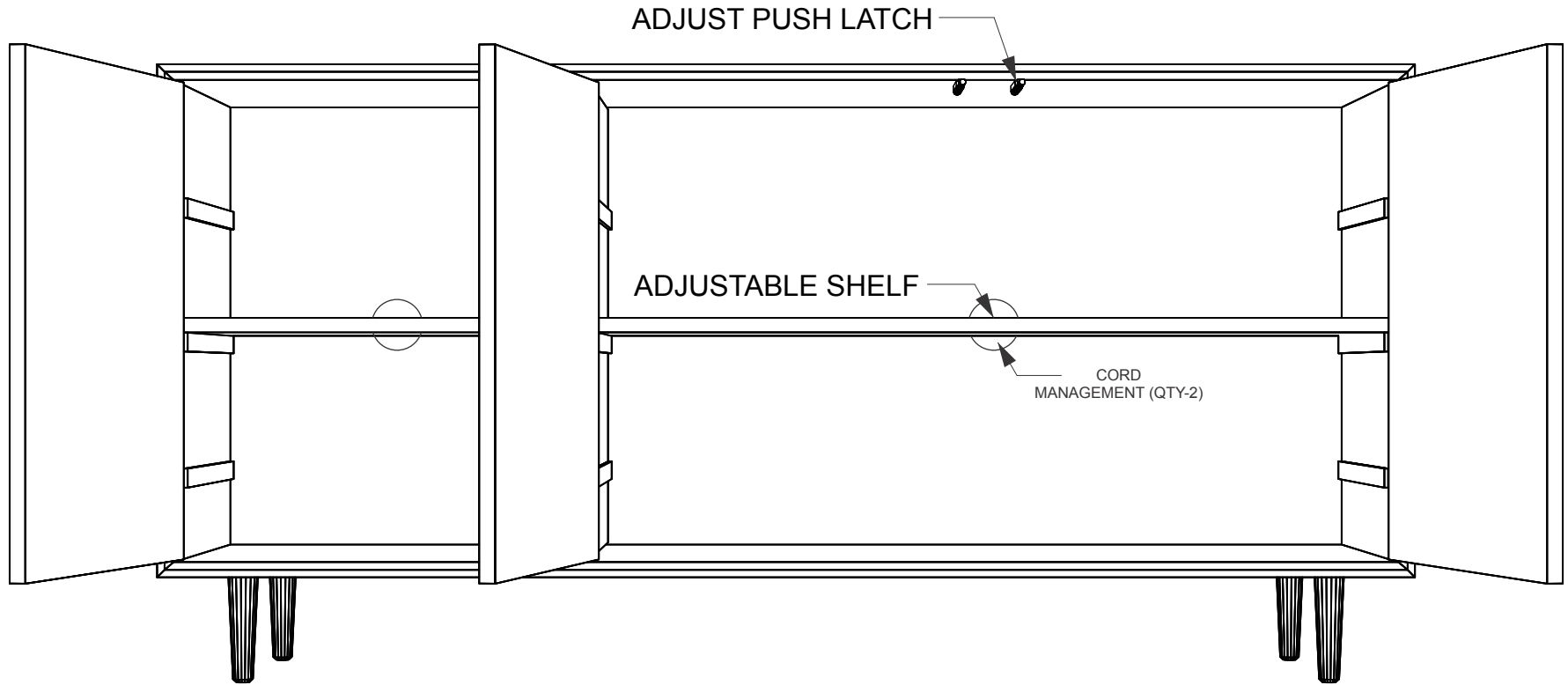
ADJUST PUSH LATCH

ADJUSTABLE SHELF

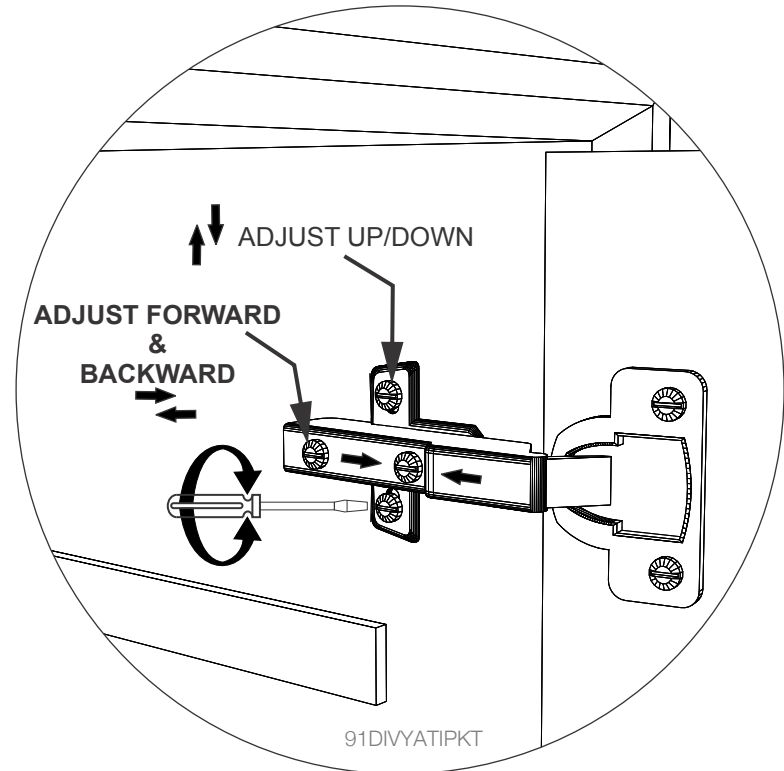
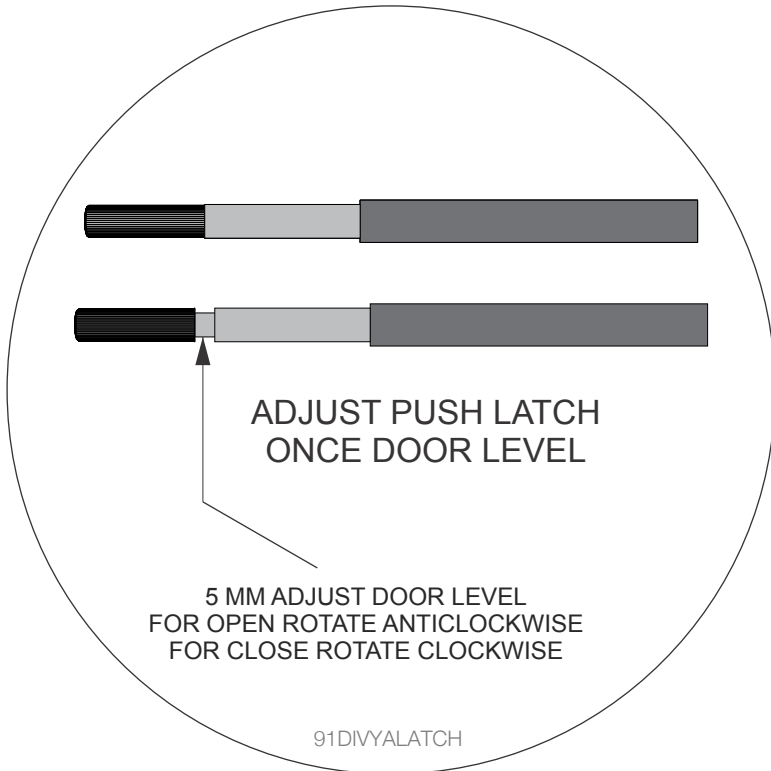
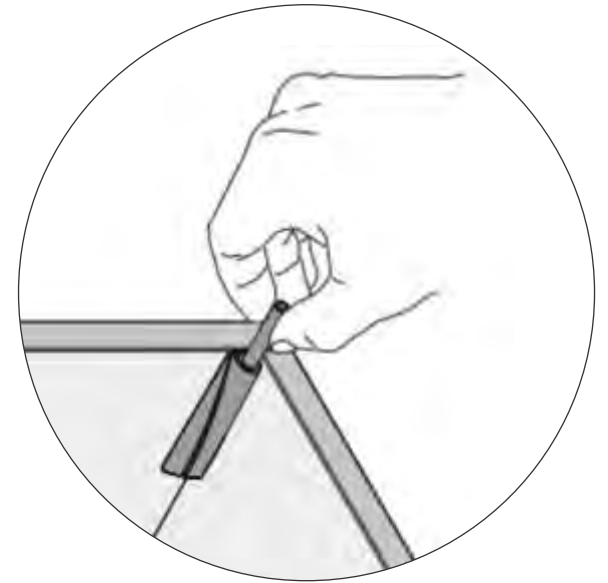
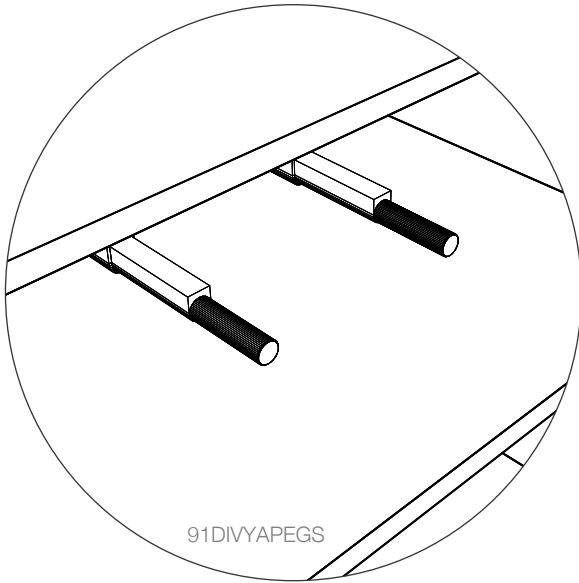
CORD
MANAGEMENT (QTY-2)

ADJUST PUSH LATCH AND HINGES





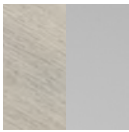
ADJUST PUSH LATCH AND HINGES



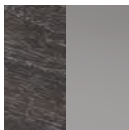
Parts Inventory

| Super Category | Product ID | Description | Stat | Collection | Route |
|----------------|--------------|-----------------------------|------|------------|-------|
| WALL | 91DIVYATIPKT | DIVYA ANTI TIP KIT DIVYA | A | PT-DIVYA | |
| WALL | 91DIVYAPEGS | DIVYA DOOR SUPPORT DIVYA | A | PT-DIVYA | PART |
| WALL | 91DIVYALATCH | DIVYA LATCH DIVYA | A | PT-DIVYA | PART |

FINISHES:



Boulder
Grey/
Graystone



Ristretto/
Platinum



SINGLE BOOKCASE

36" w x 19.75" d x 79.5" h

Boulder Grey 40ECLSGBKBG
Ristretto 40ECLSGBKRS



DOUBLE BOOKCASE

64.25" w x 19.75" d x 79.5" h

Boulder Grey 40ECLDBBKBG
Ristretto 40ECLDBBKRS



MEDIA CONSOLE

65.25" w x 19.75" d x 29.5" h

Boulder Grey 40ECLMEDIABG
Ristretto 40ECLMEDIARS

Elevate your work or living space with our artisan-crafted Euclid Collection. Hand-built in Indonesia from solid, sustainably sourced hardwood, each piece is artfully layered with tone and glaze to achieve chic, subtly distressed finishes. Drawers and shelving provide ample storage or display space accented by hand-carved detailing and antiqued metal hardware.



PRODUCT DETAILS

- + This craftsman-built collection is made by Indonesian artisans from solid mindi wood and mindi wood veneers with top surfaces made from high-pressure laminate.
- + Hand-applied finishes layer toner and glaze to create chic, subtly distressed surfaces. A top coat of clear lacquer adds protection and a subtle sheen.
- + Top surfaces are hand-finished with complementing Greystone or Platinum tones.
- + Brass hardware features a dark, antiqued finish to complement drawers and wood frames.
- + This collection is artisan-crafted from natural materials with hand-applied finishes. Individual pieces may vary in color, pattern, shape, and texture, making each truly unique.
- + Keep your furniture looking its best. Visit arhaus.com or speak to any Arhaus Design Consultant for care recommendations.

shown in
Usine Black/Stone on Ash



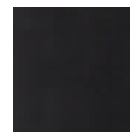
INSPIRED BY THE DOORS OF OUR FAVORITE FRENCH ANTIQUE SHOP

Our Factory Collection is crafted with contemporary style and industrial charm. Factory's glass doors and ample shelf space mean there's always enough room to display favorite mementos and everyday essentials.

PRODUCT DETAILS

- + Craftsman-built cabinets are handmade by Indonesian furniture artisans from solid, sustainably sourced mahogany, ash, and mahogany veneers.
- + Cabinet doors feature tempered glass panes, providing chic style and visibility into cabinet interiors.
- + Solid iron hardware adds subtle rustic detail.
- + Natural wood may display small splits, knots, or other organic features that will add character to your piece without affecting its quality or performance.
- + Cabinets feature four shelves (two fixed, two adjustable).
- + 36" Cabinet's inter-shelf cavities measure: 34.25" w x 14.75" d x 14.25" h.
- + 48" Cabinet's inter-shelf cavities measure: 46" w x 14" d x 14.5" h.
- + Media Consoles features adjustable shelves.
- + 60" Media Console's interior shelf cavities measure: 28.75" w x 13.5" d x 11" h.
- + 72" Media Console's interior shelf cavities measure: 34.75" w x 14.75" d x 11.25" h.
- + 100" Media Console's interior shelf cavities measure: 48.75" w x 14" d x 11" h.
- + Keep your furniture looking its best. Visit arhaus.com or speak to any Arhaus Design Consultant for care recommendations.

EXTERIOR FINISHES:



Usine Black

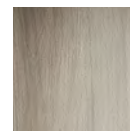


Bronze



Usine Cirrus

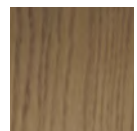
INTERIOR FINISHES:



Stone On Ash



Dark Twilight



Lombok Oak

NEED HELP?

Visit a store, call **866.427.4287**, or **live chat** with our Design Team to learn more.



2-DOOR CABINET

35.75" w x 16" d x 28" h

Usine Black/Stone on Ash 40FCT2DRBKCB

Bronze/Dark Twilight 40FCT2DRBRCB

Usine Cirrus/Lombok Oak 40FCT2DRRCB

BOOKCASE

35.75" w x 16" d x 80" h

Usine Black/Stone on Ash 40FCTBKHBKKT

Bronze/Dark Twilight 40FCTBZBKHKT

Usine Cirrus/Lombok Oak 40FCTBKBCS

shown in
Bronze/Dark Twilight



36" CABINET

36.25" w x 16.25" d x 80.25" h

Usine Black/Stone on Ash 40FACTORYCAB

Bronze/Dark Twilight 40FCT36BRZCB

Usine Cirrus/Lombok Oak 40FCT36CRSCB

48" CABINET

48" w x 16" d x 80" h

Usine Black/Stone on Ash 40FACTORY48CB

Bronze/Dark Twilight 40FCT48BRZCB

Usine Cirrus/Lombok Oak 40FCT48CRSCB

shown in
Usine Cirrus/Lombok Oak



60" MEDIA CONSOLE

60" w x 16" d x 28" h

Usine Black/Stone on Ash 40FACTORY60MD
Bronze/Dark Twilight 40DFCT60BZMD
Usine Cirrus/Lombok Oak 40DFCT60CRMD



72" MEDIA CONSOLE

72" w x 16.25" d x 28.5" h

Usine Black/Stone on Ash 40FACTORYMED
Bronze/Dark Twilight 40DFCT72BZMD
Usine Cirrus/Lombok Oak 40DFCT72CRMD

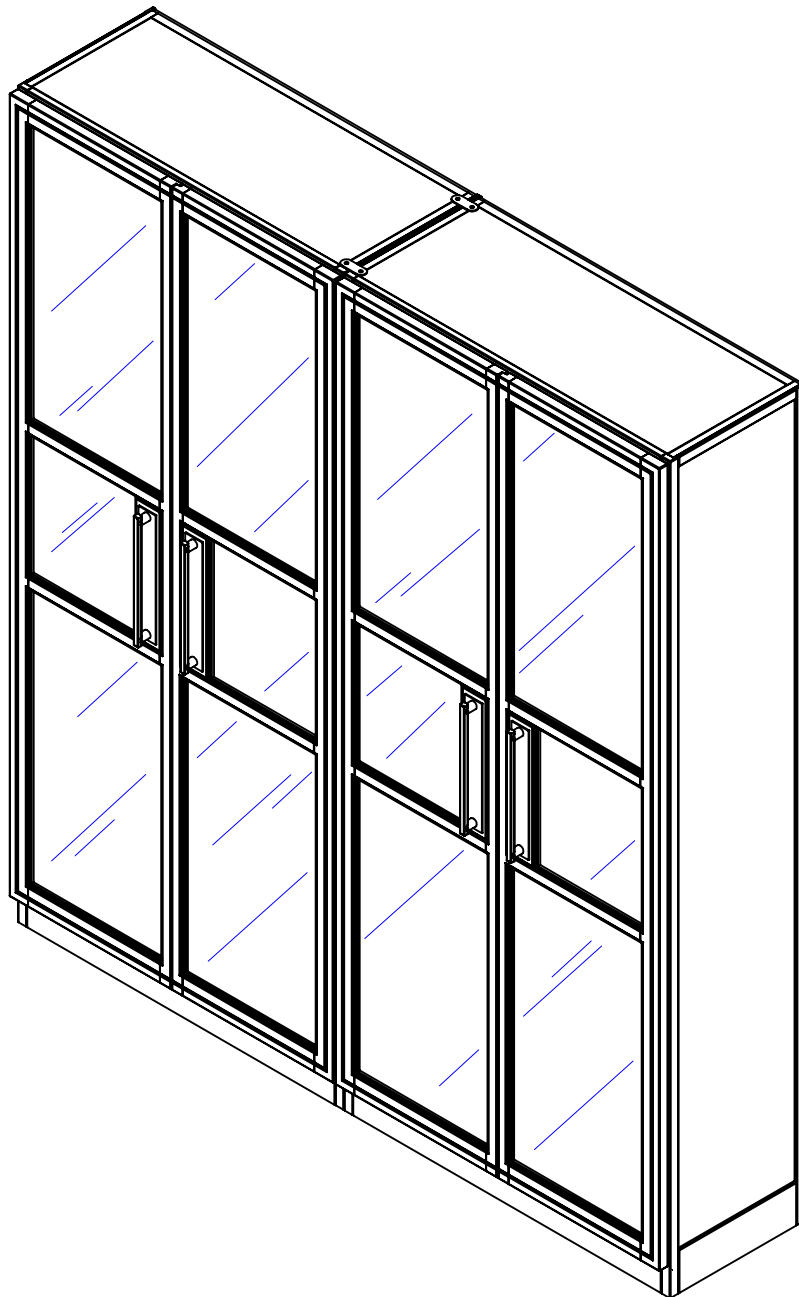


100" MEDIA CONSOLE

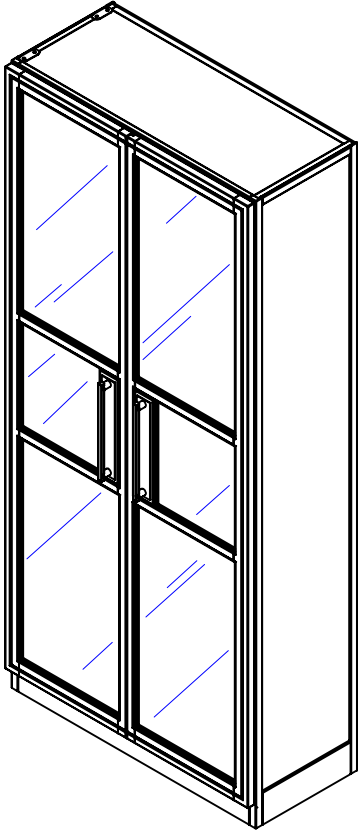
100" w x 16" d x 28" h

Usine Black/Stone on Ash 40FACTORY10MD
Bronze/Dark Twilight 40DFCT10BZMD
Usine Cirrus/Lombok Oak 40DFCT10CRMD

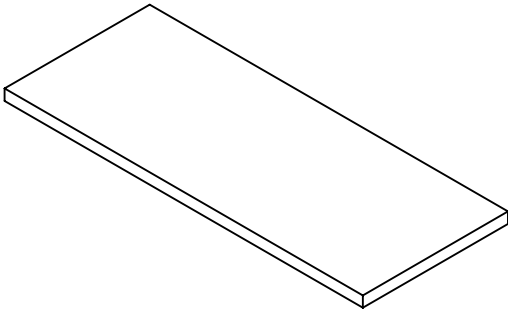
ASSEMBLY INSTRUCTIONS for FACTORY FRAME CABINET



UNIT LIST

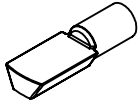


A. FACTORY FRAME CABINET

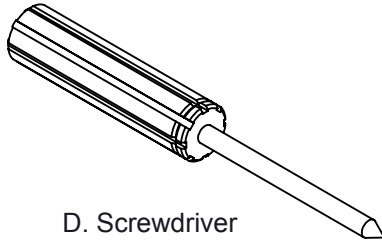


B. ADJUSTABLE SHELF - 2 Pcs

HARDWARE
91FACTCABPEG



C. Pin Shelf
(8 Pcs)

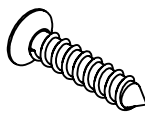


D. Screwdriver
(Not Include)

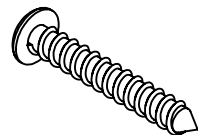
TIPPING RESTRAINT



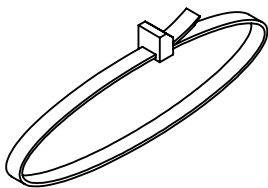
E. Wall Fitting
(2 Pcs)



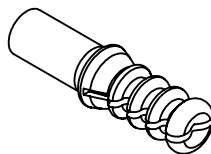
F. Screw $\phi 6 \times 5/8"$
(1 Pcs)



G. Screw $\phi 8 \times 1 1/2"$
(1 Pcs)



H. Wall Strap
(1 Pcs)



I. Plastic Anchor
(1 Pcs)

HOW TO ASSEMBLE FACTORY FRAME CABINET (STEP 1)

THIS STEP REQUIRES :

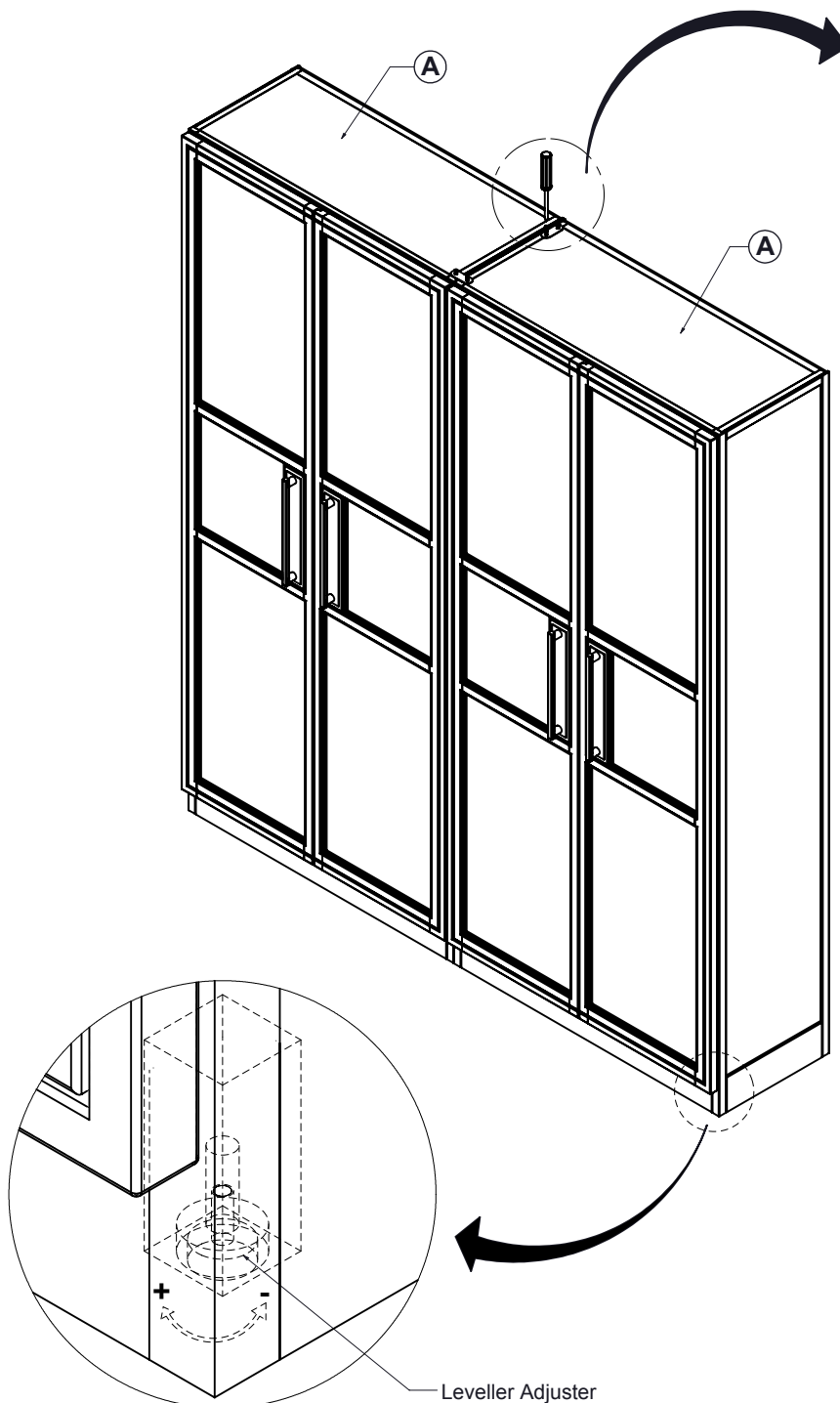
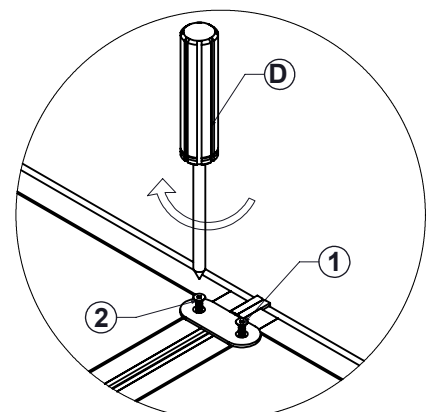
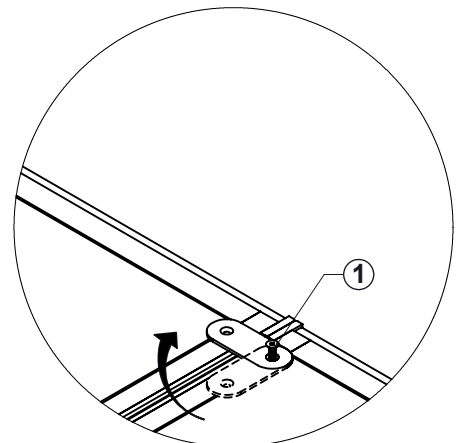
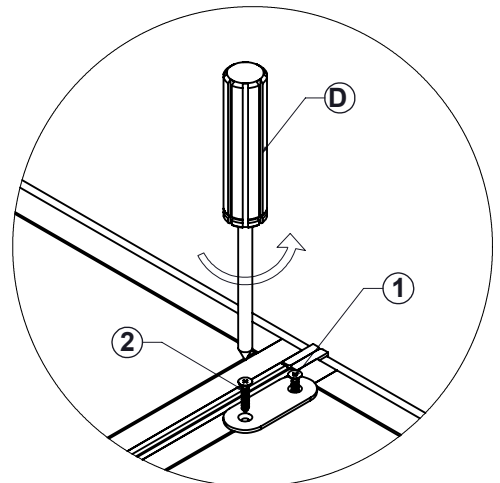
- A. Factory Frame Cabinet
- D. Screwdriver

Follow the steps below:

Step 1 : Loosen the screw (1) and remove the screw (2) using the screwdriver

Step 2 : Turn the connector plate according to the drawing instructions with the shaft on the screw (1)

Step 3 : Attach screw (2) and tighten screw (1) using the screwdriver



HOW TO ASSEMBLE FACTORY FRAME CABINET (STEP 1)

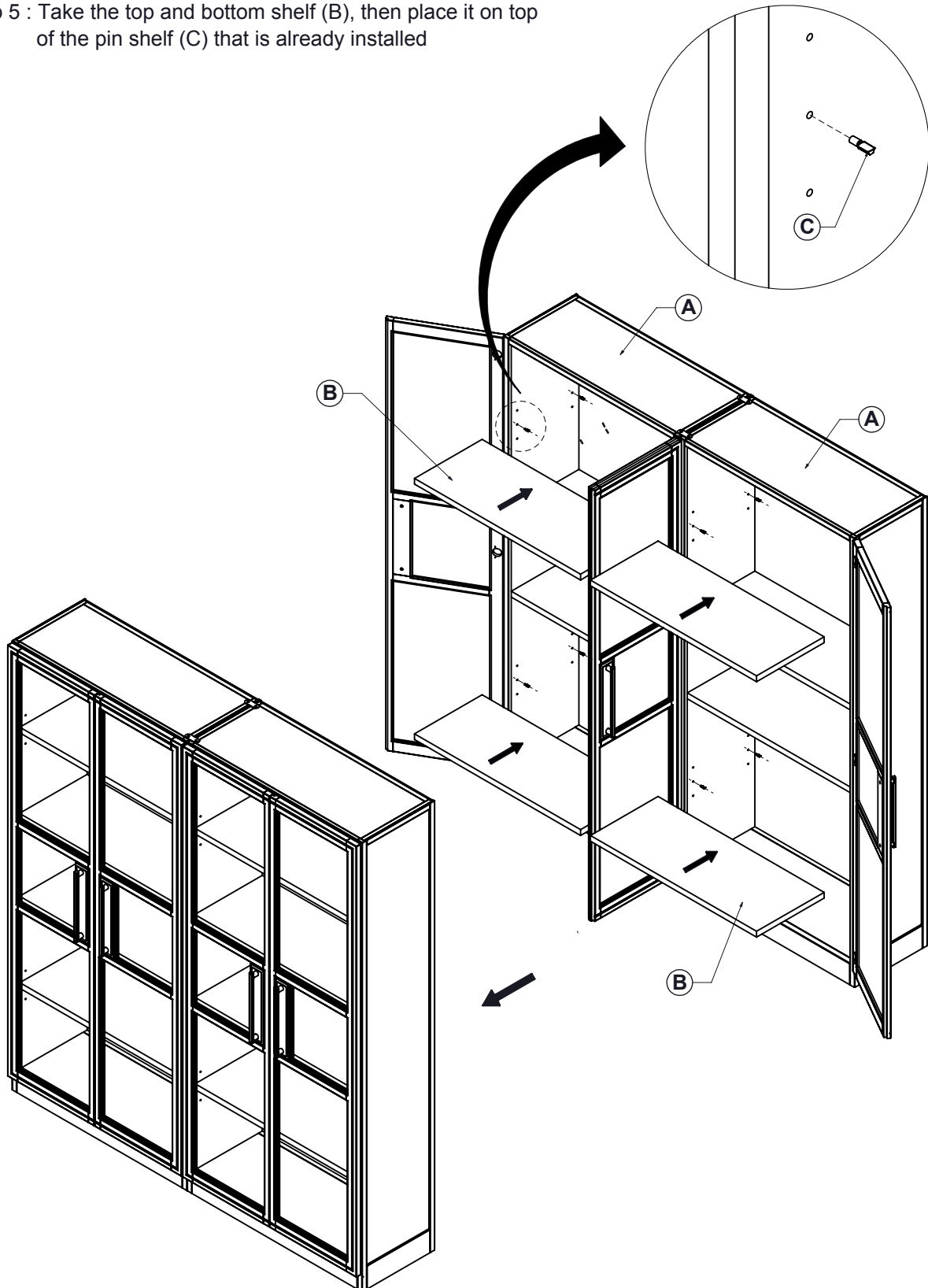
THIS STEP REQUIRES :

- A. Factory Frame Cabinet
- B. Adjustable Shelf
- C. Pin Shelf (8 Pcs)

Follow the steps below:

Step 4 : Attach eight shelf pins (C) to the right and left side panels and adjust the height to be aligned

Step 5 : Take the top and bottom shelf (B), then place it on top of the pin shelf (C) that is already installed



SAFETY MOUNTING ASSEMBLY

THIS STEP REQUIRES :

- D. Screw Driver (NOT INCLUDE)
- E. Wall Fitting
- F. Screw $\phi 6 \times 5/8"$

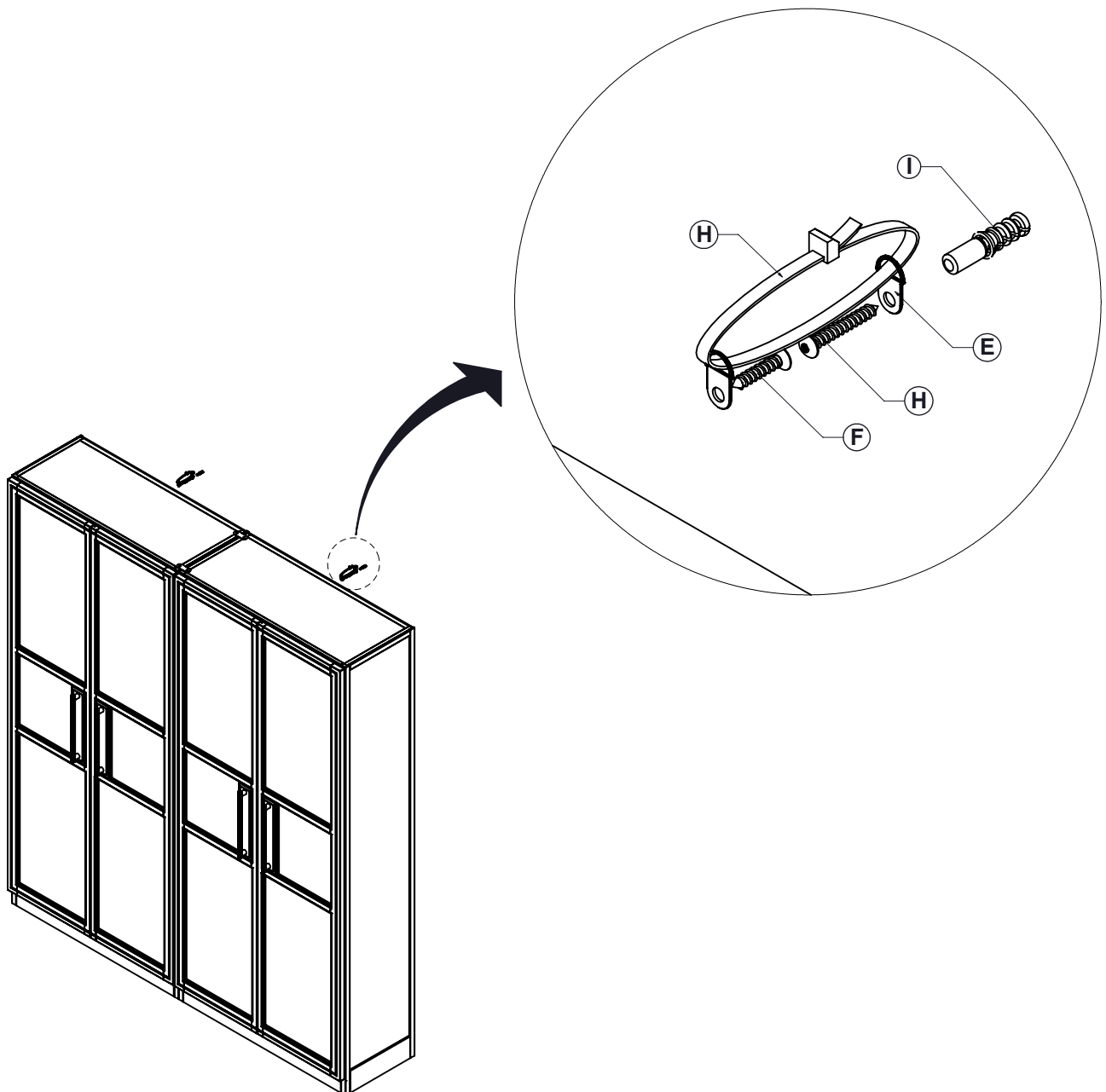
- G. Screw $\phi 8 \times 1 1/2"$
- H. Wall Strap
- I. Plastic Anchor

Installation Instructions:

For added safety and stability, it is recommended that the wall mounting hardware be installed.

For safe mounting, it is essential to use wall anchors appropriate to your wall type (i.e. Plaster, drywall, concrete, etc.). Mount to wood studs whenever possible.

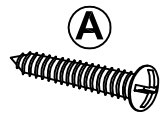
- Attach **1 pc of wall fitting** to furniture as shown, using **small screw**.
- Determine the final position for the furniture. Mark position on the wall approximately 2" below the bracket mounted to the back of the unit.
- Drill a hole in the wall stud. If the wall stud is not available, drill a hole in the wall that is slightly smaller in diameter than the anchor. Gently tap the **plastic anchor** until the flange of the anchor is flush with the wall.
- Attach the **wall fitting** to the wall by inserting **large screw** through the wall fitting and into the **plastic anchor** in the wall.
- Place the unit so the wall fitting on the back edge is aligned with the wall fitting on the wall.
- Lace one end of the **wall strap** through both fittings, and into the other end of the strap.
- Pull the strap tightly until secure.



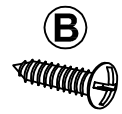
FURNITURE TIPPING RESTRAINT

Safety Mounting Assembly

HARDWARE



long screw (1 pc)



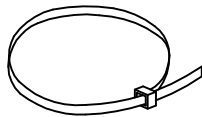
short screw (1 pc)



wall fitting (2 pcs)



plastic anchor (1 pc)



E

wall strap (1 pc)

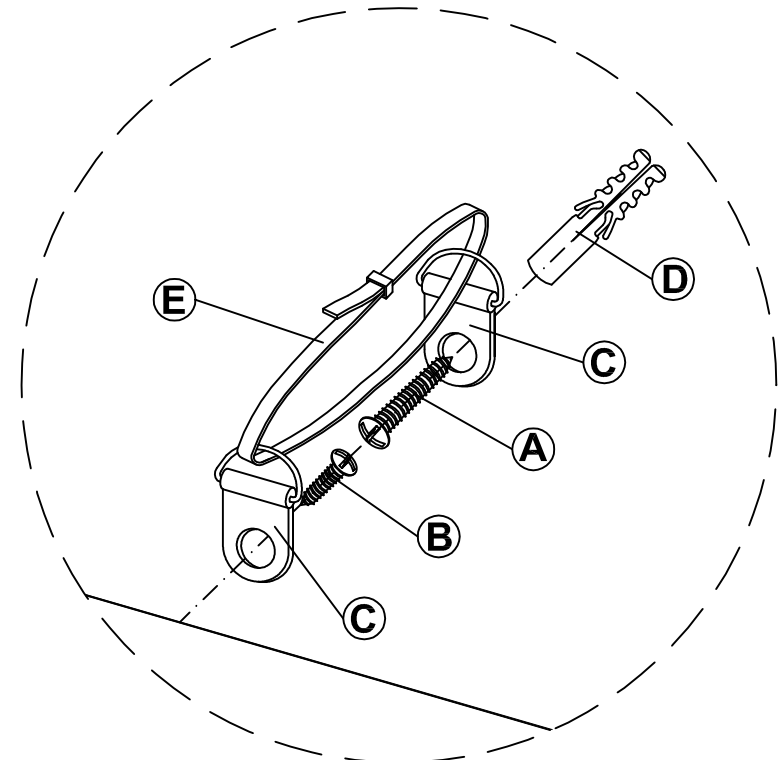
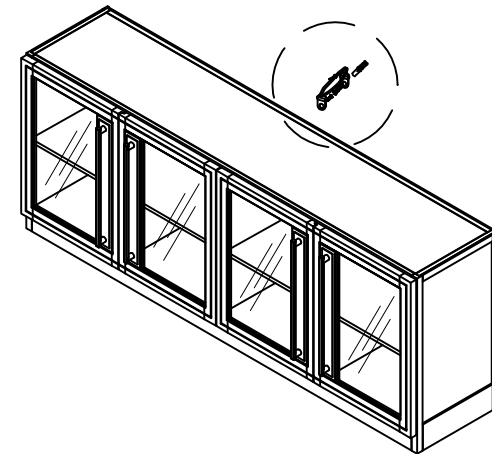
⊕ Screw Driver (not included)

Drill and 1/4" drill bit (not included)

Installation Instructions:

For added safety and stability, it is recommended that the wall mounting hardware be installed. For safe mounting, it is essential to use wall anchors appropriate to your wall type (i.e. Plaster, drywall, concrete, etc.). Mount to wood studs whenever possible.

- Attach **1 pc of wall fitting** to furniture as shown, using **small screw**.
- Determine the final position for the furniture. Mark position on the wall approximately 2" below the bracket mounted to the back of the unit.
- Drill a hole in the wall stud. If the wall stud is not available, drill a hole in the wall that is slightly smaller in diameter than the anchor. Gently tap the **plastic anchor** until the flange of the anchor is flush with the wall.
- Attach the **wall fitting** to the wall by inserting **large screw** through the wall fitting and into the **plastic anchor** in the wall.
- Place the unit so the wall fitting on the back edge is aligned with the wall fitting on the wall.
- Lace one end of the **wall strap** through both fittings, and into the other end of the strap.
- Pull the strap tightly until secure.



Any damage incurred to the furniture or the wall as a result of improper installation of this restraint will be the responsibility of the owner.

WALL PARTS SKUS

| CATEGORY | SKU | DESCRIPTION | STATUS | COLLECTION | ROUTE |
|----------|--------------|--|--------|------------|-------|
| WALL | 91FACTCABHNG | FACTORY FRAME HINGE CABINET AND MEDIA | A | PT-FACTORY | PART |
| WALL | 91FACTCABLVL | FACTORY FRAME LEVELER CABINET AND MEDIA | A | PT-FACTORY | PART |
| WALL | 91FACTMEDPEG | FACTORY FRAME PEG MEDIA AND CABINET | A | PT-FACTORY | PART |

shown in Liath Smoke



MIXED-MATERIAL DESIGN, STYLED ANYWHERE YOU CHOOSE

Our Finnley Collection showcases a stunning mixed-material design that invites elevated style into any space. Hand-finished pine from Finland is luxuriously complemented by bluestone or white marble, accented by zinc-alloy and reeded oak details. The result is an eclectic-yet-chic accent piece that easily fits into the aesthetic of your home from the living and dining rooms to bedrooms, office spaces, and more.

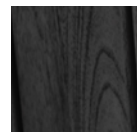
PRODUCT DETAILS

- + Craftsman-built cabinets are constructed from Finnish pine, oak veneers, and white marble or bluestone tops.
- + Cabinet frames feature reinforced mortise-and-tenon joinery for added strength and stability.
- + Zinc-alloy hardware features a light brass finish.
- + Wood surfaces feature hand-stained finishes and a protective coating of lacquer for subtle sheen.
- + Sideboards have two adjustable, removable shelves and cord management holes accommodate electronics and media devices.
- + Cabinet doors are mounted on self-closing hinges.
- + Drawers sit atop under-mounted glides.
- + Levelers on the bottom of each leg ensure cabinets sit evenly on uneven floors.
- + Keep your furniture looking its best. Visit arhaus.com or speak to any Arhaus Design Consultant for care recommendations.

FINISHES:



Liath Smoke

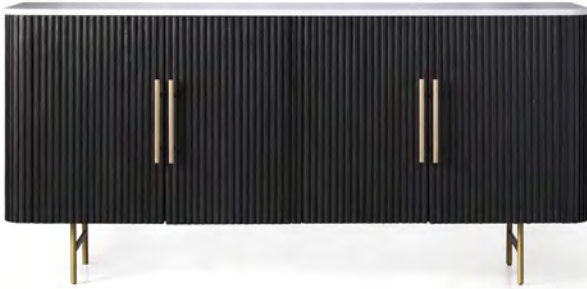


Ebony

NEED HELP?

Visit a store, call **866.427.4287**, or **live chat** with our Design Team to learn more.

| shown in Ebony



SIDEBOARD

71" w x 17.75" d x 33" h

Liath Smoke 40FINN71GMKT
Ebony 40FIN71EBMKT

| shown in Liath Smoke



LOW MEDIA CONSOLE

72.5" w x 11" d x 19.5" h

Liath Smoke 40FINSMLMDKT
Ebony 40FINEBLMDKT



HALL CHEST

36.25" w x 17.75" d x 31.25" h

Liath Smoke 40FIN2DGRMKT
Ebony 40FIN2DEBMKT

WALL PARTS SKUS

| CATEGORY | SKU | DESCRIPTION | STATUS | COLLECTION | ROUTE |
|----------|--------------|--|--------|------------|-------|
| WALL | 91FINLMDHNDL | FINNLEY MEDIA HANDLE ALL FINISHES | A | PT-FINNLEY | PART |
| WALL | 91FINLMDHNGE | FINNLEY MEDIA HINGE ALL FINISHES | A | PT-FINNLEY | PART |
| WALL | 91FINLMDLVL | FINNLEY MEDIA LEVELERS ALL FINISHES | A | PT-FINNLEY | PART |
| WALL | 91FINLMDSHFP | FINNLEY MEDIA SHELF SPRT PEG ALL FINISHES | A | PT-FINNLEY | PART |

ARHAUS®

your home

geometric

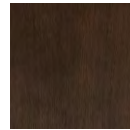


Media Cabinet
69.5" w x 18" d x 31.5" h
Jebara Natural 40GEO69NT
Jebara Espresso 40GEO69BRN

Finishes:



Jebara Natural



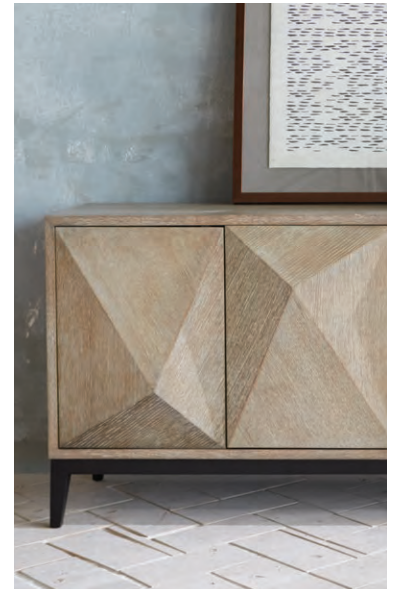
Jebara Espresso

sculptural media cabinetry

Showcasing a sculptural, multi-faceted design, our Geometric Collection is artfully crafted to accentuate its post-modern-inspired style. Hand-built from solid mahogany and oak veneers, these statement-making media cabinets feature hand-painted finishes selected to complement the wood's organic features, creating interesting contrast against rigid silhouettes. Cabinet interiors contain adjustable shelving to accommodate media, electronics and more.

product details

- ▶ Cabinets are craftsman-built from solid mahogany and oak veneers.
- ▶ Wood surfaces are hand-sanded and lightly stained to accentuate the wood's natural texture.
- ▶ Wood finishes are lacquered for added protection and a subtle sheen.
- ▶ Cabinets features adjustable/removable shelving and cord management holes to accommodate electronics.
- ▶ Cabinet doors operate with spring-touch locking mechanisms.
- ▶ Keep your furniture looking its best. Visit arhaus.com or speak to any Arhaus Design Consultant for care recommendations.



WALL PARTS SKUS

| CATEGORY | SKU | DESCRIPTION | STATUS | COLLECTION | ROUTE |
|----------|--------------|---|--------|------------|-------|
| WALL | 91PUSHLATCH | GEOMETRIC DOOR PUSH LATCH ALL FINISHES | A | PT-GEOM | PART |
| WALL | 91GEOLEVELER | GEOMETRIC LEVELERS GEOMETRIC | A | PT-GEO | PART |

ARHAUS®

your home

giada



Console

71" w x 21.25" d x 39.5" h
Fiore P6GYCBS



Bookcase

71" w x 21.25" d x 92" h
Fiore 40P6G1BCKT

Finish



Fiore

your style your way

Craft a custom design that tells your style story. This collection is available in special-order **Finishes** and **More**. Ask in store or call **866.427.4287**

*All Bell'Arte furnishings are made to order.

details straight from 1952

Sometimes the most beautiful details come in the most unexpected places. That's certainly true of our Giada Collection. Hand-finished like the other pieces in our Bell'Arte Collection, Giada showcases something truly special—a back panel that's been hand-painted with a rubber roller from 1952. Found left behind in an old warehouse, we incorporated this vintage piece into each cabinet for a special heirloom-like quality that'll certainly spark conversation. Like other pieces in the Bell'Arte Collection, Giada features a labor-intensive finishing process that ensures no two pieces are alike.

product details

- ▶ As with the rest of our Arhaus-exclusive Bell'Arte Collection, these pieces are handcrafted in a region of Italy renowned for its furniture-making.
- ▶ Craftsman-built from tulip wood—a wood prized in the making of fine furniture.
- ▶ Hand-applied Fiore finishes are layered with stain, paint, and glaze to achieve a timeworn appearance with elegant detailing.
- ▶ Italian artisans meticulously carve and paint all details by hand, making each truly one-of-a-kind.
- ▶ After the finishing process, which takes three days to complete, the artisans sign and date their work.
- ▶ Cord management holes accommodate electronics and media equipment.
- ▶ This collection is artisan-crafted from natural materials with hand-applied finishes. Individual pieces may vary in color, pattern, shape, and texture, making each truly unique.
- ▶ Natural wood may display small splits, knots, joint lines, or other organic features that will not affect the quality or performance of your piece.
- ▶ Furniture made from natural wood may move slightly due to temperature and humidity. This is normal and should be expected from season to season.
- ▶ If you wish, the artisans can specially customize your Bell'Arte piece by hand-painting your name (up to three words) on the underside for no additional cost.
- ▶ Keep your furniture looking its best. Visit arhaus.com or speak to any Arhaus Design Consultant for care recommendations.



ARHAUS®

your home

available by special order

Console | 71" w x 21.25" d x 39.5" h



Noceto Rubbed Black Cantina Bassano Old English Walnut Midnight Black Ivory Solid Black Porfido Fiore *Fontaine Blue *Worn Black

Bookcase | 71" w x 21.25" d x 92" h



Noceto Rubbed Black Cantina Bassano Old English Walnut Midnight Black Ivory Solid Black Porfido Fiore *Fontaine Blue *Worn Black

**Artisan Finish: Due to the labor-intensive process of creating these finishes, there will be an increase in price.*

before we can place your order, we need to make sure that you agree with the following statements.

please initial each box below to indicate your agreement.

◀ I have selected the above specifications for my order. Images are shown to indicate general color tones but should not be used for color matching.

◀ I understand that if I cancel this order at any time I forfeit my delivery fee and 50% of the item purchase price.

◀ I understand that my selections are special order and will take up to 16 weeks for production. Please allow additional time for delivery.

◀ I've measured my doorways, stairways and entryways to make sure my furniture can be placed in the appropriate room.

customer name: _____

Please sign below to acknowledge your understanding and agreement.

customer signature: _____

order no.: _____ date: _____

design consultants: please fax this form to specialorder@arhaus.com

ARHAUS®

your home

personalization form

* If you wish, the artisans can specially customize your Bell'Arte piece by hand-painting your name (up to three words) on the underside for no additional cost.

personalized description

*The personalization can include up to 3 words. No symbols or characters. This should be hand written in all caps.

Print Name:

Signature of Applicant:

Date:

ARHAUS[®]

FURNISHING A BETTER WORLD[®]

ASSEMBLING INSTRUCTIONS FOR GIADA BUFFET AND HUTCH



- 1) Unpack the buffet carton.
- 2) Unpack the hutch carton
- 3) Place the hutch above the buffet
- 4) In a plastic bag fixed to the shelf you will find the assembling hardware: metal plates and screws and felt
- 5) Put the felt under the base. Insert screws in plate and tight them with a screwdriver.

ARHAUS®

your home

HATTIE

WALL COLLECTION | MADE IN INDONESIA



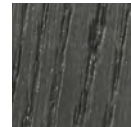
WHERE GENTLE CURVES MEET THE NATURAL GRAINING OF OAK

Our artisan-crafted Hattie Collection awaits. Hattie's generous shelves mean there's always room to display favorite curiosities and everyday essentials.

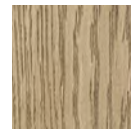
PRODUCT DETAILS

- + Artisan-crafted in Indonesia from solid oak wood and oak veneers, with hand-applied finishes that highlight the natural beauty of wood.
- + Interiors feature shiplap back paneling and contrasting finishes.
- + Cabinet doors are accented by exposed hinges and reeded hardware—antiqued for a subtle, time-worn appearance.
- + Cabinet feet feature brass caps for a metallic touch.
- + Sideboards feature sleek pedestal bases to ground each piece.
- + Cabinets include three shelves behind upper doors: two adjustable shelves and one fixed shelf, as well as a bottom cabinet with storage for media equipment and more.
- + Sideboards include two adjustable shelves behind doors: one on each side.
- + Cord management holes conveniently accommodate electronics on all pieces but the Hattie Bar.
- + Bars feature storage for stemware and bottles.
- + Keep your furniture looking its best. Visit arhaus.com or speak to any Arhaus Design Consultant for care recommendations.

FINISHES:



Ebony



Shiitake

NEED HELP?

Visit a store, call **866.427.4287**, or **live chat** with our Design Team to learn more.

Dimensions may vary slightly. Please ensure furnishings fit through interior structures and into desired space before purchase.

ARHAUS®

your home

HATTIE

WALL COLLECTION | MADE IN INDONESIA



36" GLASS DOOR CABINET

36" w x 19" d x 79" h

Ebony 40HAT36EB4DC
Shiitake 40HAT36H4DC

46" GLASS CABINET

46" w x 19" d x 89" h

Ebony 40HATTIECABEB
Shiitake 40HATSHTKCAB



36" WOOD DOOR CABINET

36" w x 19" d x 79" h

Ebony 40HAT36DRCEB
Shiitake 40HAT36DRCSH

46" WOOD DOOR CABINET

46" w x 19" d x 89" h

Ebony 40HAT46DRCEB
Shiitake 40HAT46DRCSH

ARHAUS[®]

your home

HATTIE

WALL COLLECTION | MADE IN INDONESIA



70" SIDEBOARD

70" w x 18" d x 32.5" h

Ebony 40HAT70BEMD
Shiitake 40HAT70SHMD



90" SIDEBOARD

90" w x 18" d x 32.5" h

Ebony 40HAT90BEMD
Shiitake 40HAT90SHMD



36" OPEN BOOKCASE

36" w x 19" d x 79" h

Ebony 40HAT36OBKEB
Shiitake 40HAT36OBKSH

46" OPEN BOOKCASE

46" w x 19" d x 89" h

Ebony 40HAT46OBKEB
Shiitake 40HAT46OBKSH

IMAGE NOT
AVAILABLE

BAR

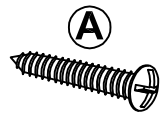
36" w x 18" d x 79" h

Ebony 30HATTIEBREB
Shiitake 30HATTIEBRSH

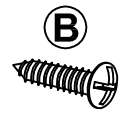
FURNITURE TIPPING RESTRAINT

Safety Mounting Assembly

HARDWARE



long screw (1 pc)



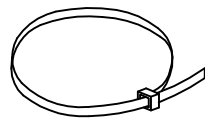
short screw (1 pc)



wall fitting (2 pcs)



plastic anchor (1 pc)



E

wall strap (1 pc)

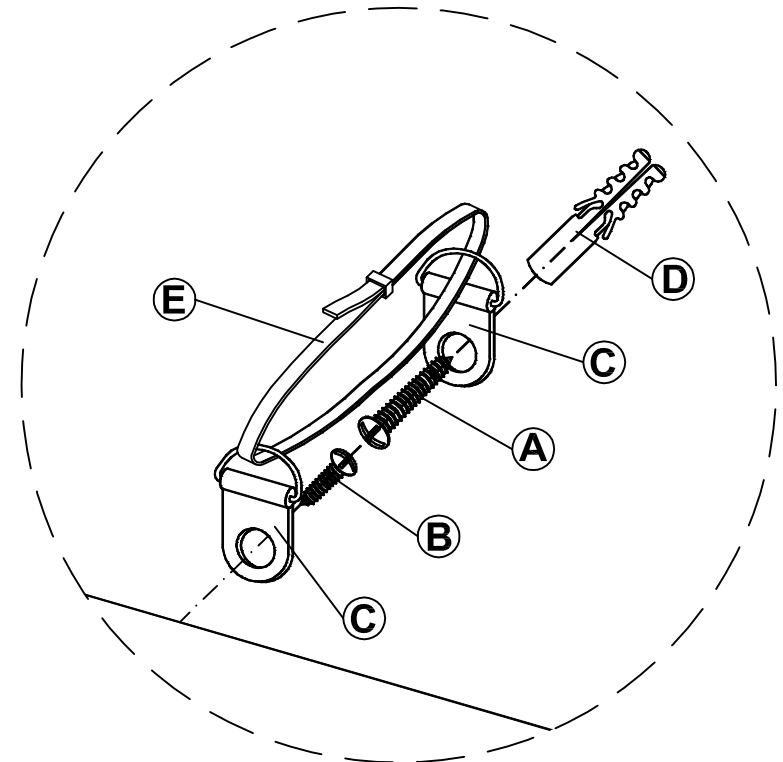
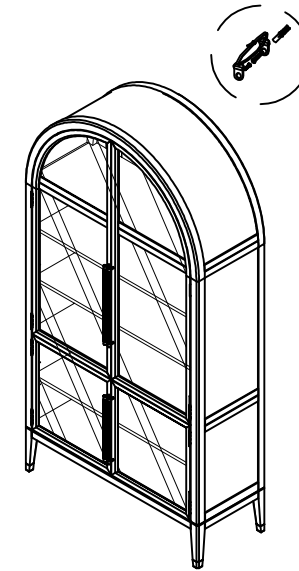
⊕ Screw Driver (not included)

Drill and 1/4" drill bit (not included)

Installation Instructions:

For added safety and stability, it is recommended that the wall mounting hardware be installed. For safe mounting, it is essential to use wall anchors appropriate to your wall type (i.e. Plaster, drywall, concrete, etc.). Mount to wood studs whenever possible.

- Attach **1 pc of wall fitting** to furniture as shown, using **small screw**.
- Determine the final position for the furniture. Mark position on the wall approximately 2" below the bracket mounted to the back of the unit.
- Drill a hole in the wall stud. If the wall stud is not available, drill a hole in the wall that is slightly smaller in diameter than the anchor. Gently tap the **plastic anchor** until the flange of the anchor is flush with the wall.
- Attach the **wall fitting** to the wall by inserting **large screw** through the wall fitting and into the **plastic anchor** in the wall.
- Place the unit so the wall fitting on the back edge is aligned with the wall fitting on the wall.
- Lace one end of the **wall strap** through both fittings, and into the other end of the strap.
- Pull the strap tightly until secure.



Any damage incurred to the furniture or the wall as a result of improper installation of this restraint will be the responsibility of the owner.



MADE FROM RARE, RECLAIMED SPALTED OAK WOOD

Our Leandro Collection adds stunning storage and display options to your living space. Elegant organic details are accentuated by a naturally sun-bleached finish designed to bring out the wood's unique graining, colors, and textures.

PRODUCT DETAILS

- + Craftsman-built from solid reclaimed spalted oak wood, and oak veneers.
- + Minimal, naturally sun-bleached finish enhances the wood's organically weathered appearance.
- + Finished surfaces are coated with clear acrylic for added protection.
- + Gaps in reclaimed wood are filled with epoxy resin and sanded, resulting in a smooth, consistent surface.
- + Keep your furniture looking its best. Visit arhaus.com or speak to any Arhaus Design Consultant for care recommendations.

NEED HELP?

Visit a store, call **866.427.4287**, or **live chat** with our Design Team to learn more.



MEDIA CONSOLE

60" w x 16" d x 23" h 40LNDRO60MD
72" w x 16" d x 23" h 40LNDRO72MD
96" w x 16" d x 23" h 40LNDRO96MD



SINGLE BOOKCASE

34" w x 16.5" d x 80" h
40LNDROSGBK



DOUBLE BOOKCASE

60" w x 16.5" d x 80" h
40LNDRODBBK

ARHAUS®

your home

madison

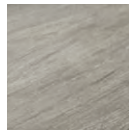


Single Bookcase
40" w x 16" d x 79.5" h
40MADNRWBKKT



Double Bookcase
70" w x 16" d x 79.5" h
40MADDBLBKKT

Finish:



Stone on
Ash

a modern mix of structure and style

A satisfying combination of wood and metal coalesces in the open, chic shelving of our Madison collection. Featuring just enough styling in grey wood tones and textured metal brackets, these clean and contemporary, minimalistic designs are thoughtfully crafted to support the rest of the room. Dress them up or dress them down, these necessary neutral display and storage pieces will easily complement any décor aesthetic.

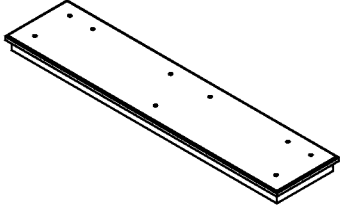
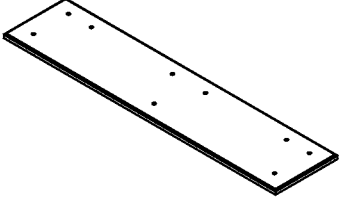
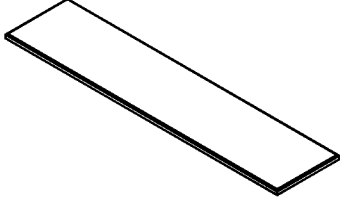
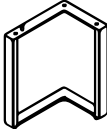
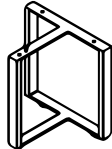
product details

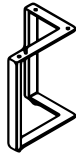



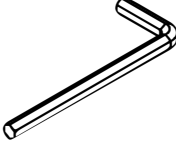
- ▶ Craftsman-built bookshelves are constructed from solid iron and mindi wood veneers.
- ▶ Multilayered finishes are applied by hand. Iron surfaces are leafed and antiqued; while wood surfaces are sanded, stained, sealed, and glazed to create a more rustic element.
- ▶ Finishes are lacquered for added protection and a subtle satin sheen.
- ▶ Bookshelves are anchored to walls via center brackets at installation to prevent tipping.

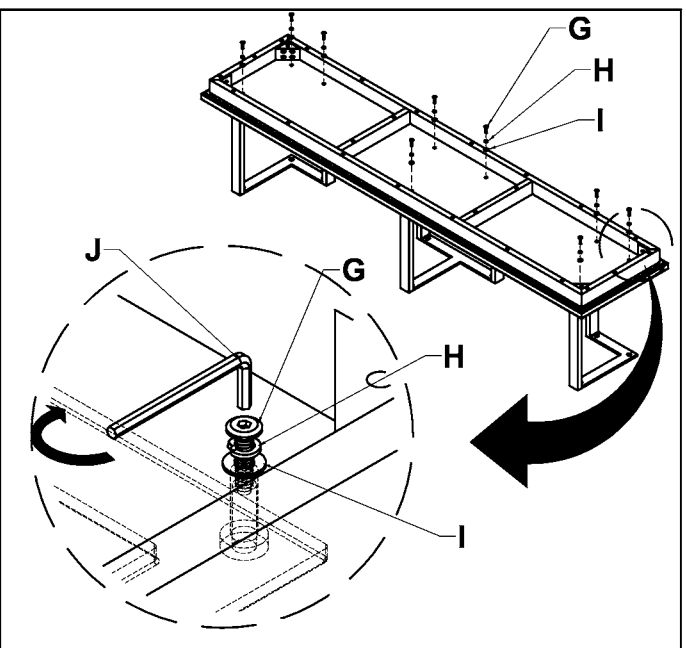
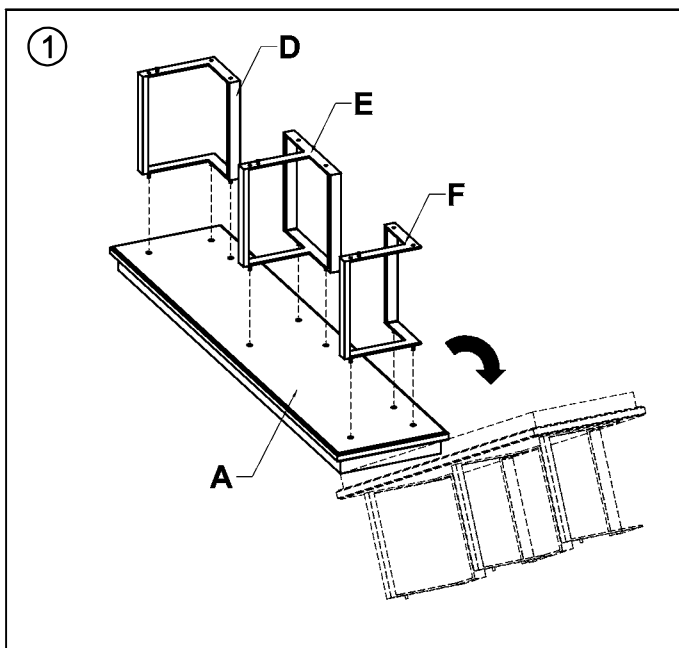


ASSEMBLY INSTRUCTIONS

MADISON - DOUBLE BOOKCASE

| NO. | PARTS LIST 91MADDBLBHW | QTY |
|-----|---|-------|
| (A) | BASE  | 1 pc |
| (B) | SHELF  | 4 pcs |
| (C) | TOP  | 1 pc |
| (D) | LEFT METAL BAR  | 5 pcs |
| (E) | MIDDLE METAL BAR  | 5 pcs |

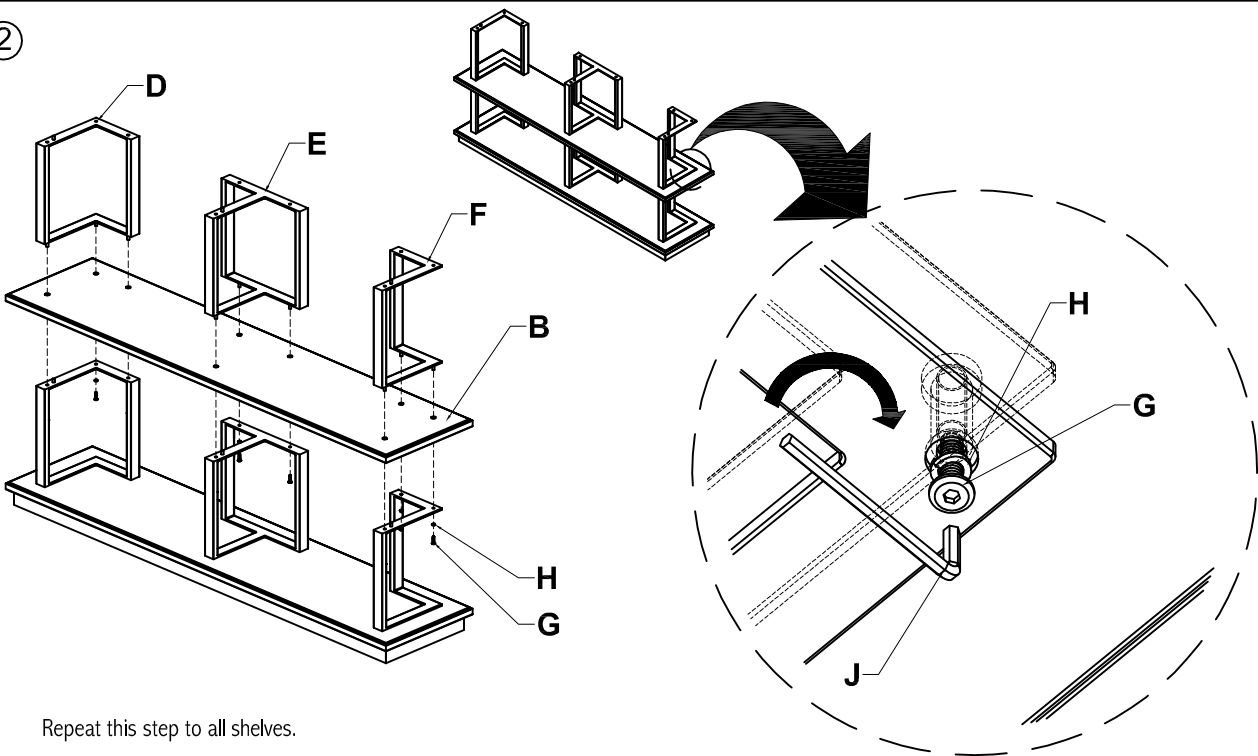
| NO. | PARTS LIST 91MADDBLBHW | QTY |
|-----|--|--------|
| (F) | RIGHT METAL BAR  | 5 pcs |
| (G) | HEXAGONAL BOLT  | 54 pcs |
| (H) | SPRING WASHER  | 54 pcs |
| (I) | WASHER  | 9 pcs |
| (J) | ALLEN KEY  | 2 pcs |



ASSEMBLY INSTRUCTIONS

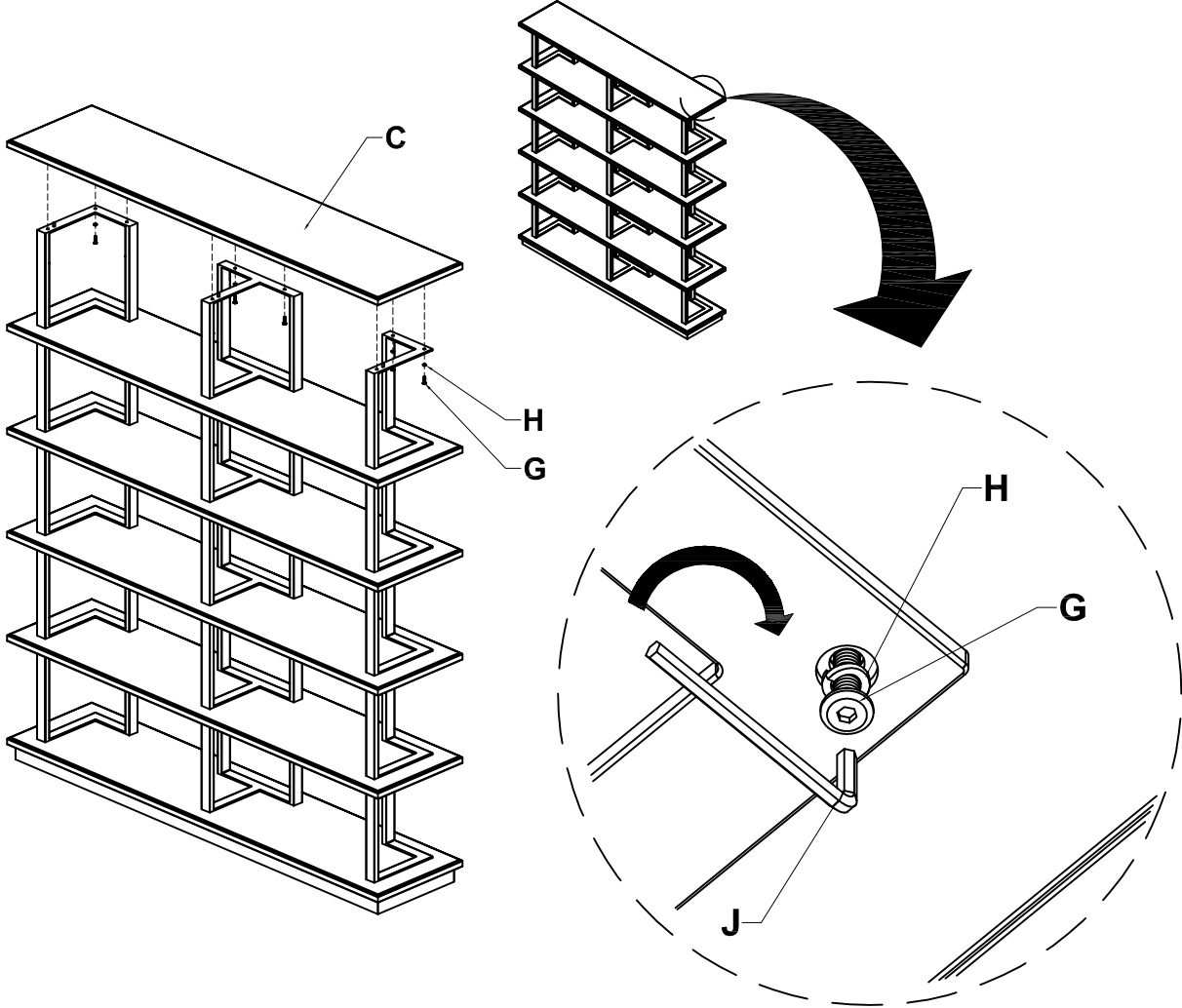
MADISON - DOUBLE BOOKCASE

②



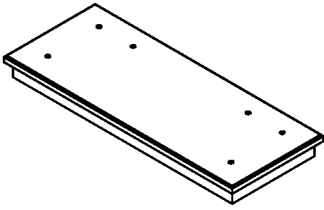
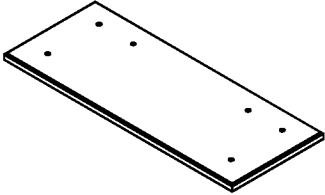
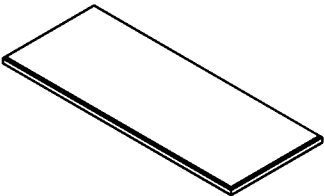
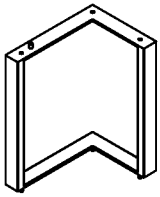
Repeat this step to all shelves.

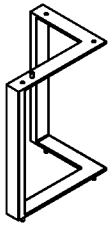



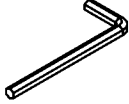
③

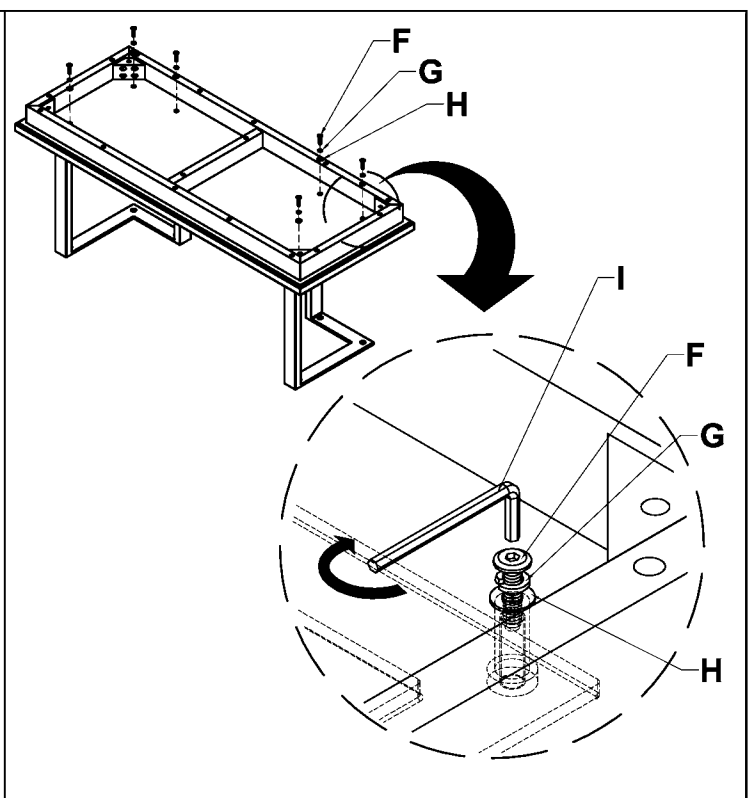
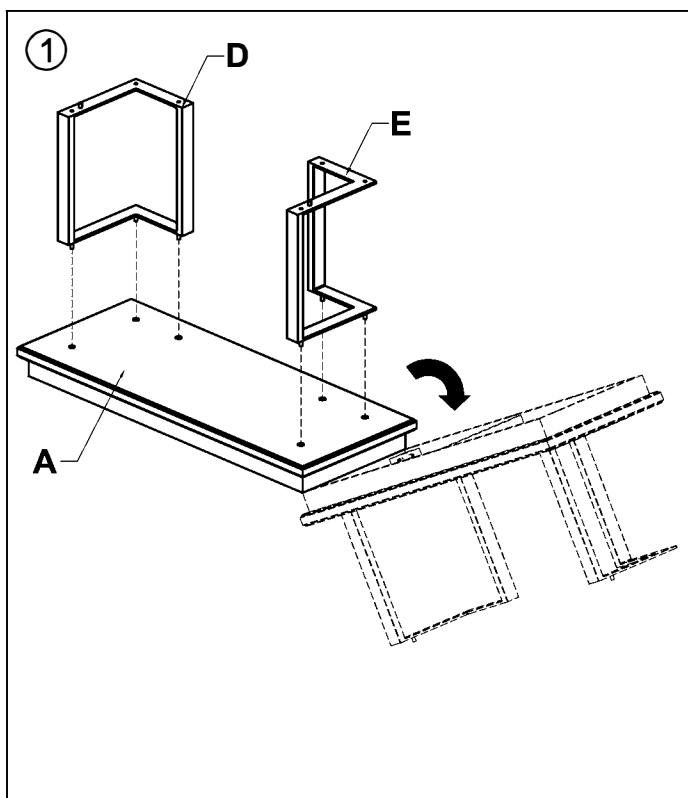


ASSEMBLY INSTRUCTIONS

MADISON - SINGLE BOOKCASE

| NO. | PARTS LIST 91MADNRWHW | QTY |
|-----|---|-------|
| (A) | BASE  | 1 pc |
| (B) | SHELF  | 4 pcs |
| (C) | TOP  | 1 pc |
| (D) | LEFT METAL BAR  | 5 pcs |

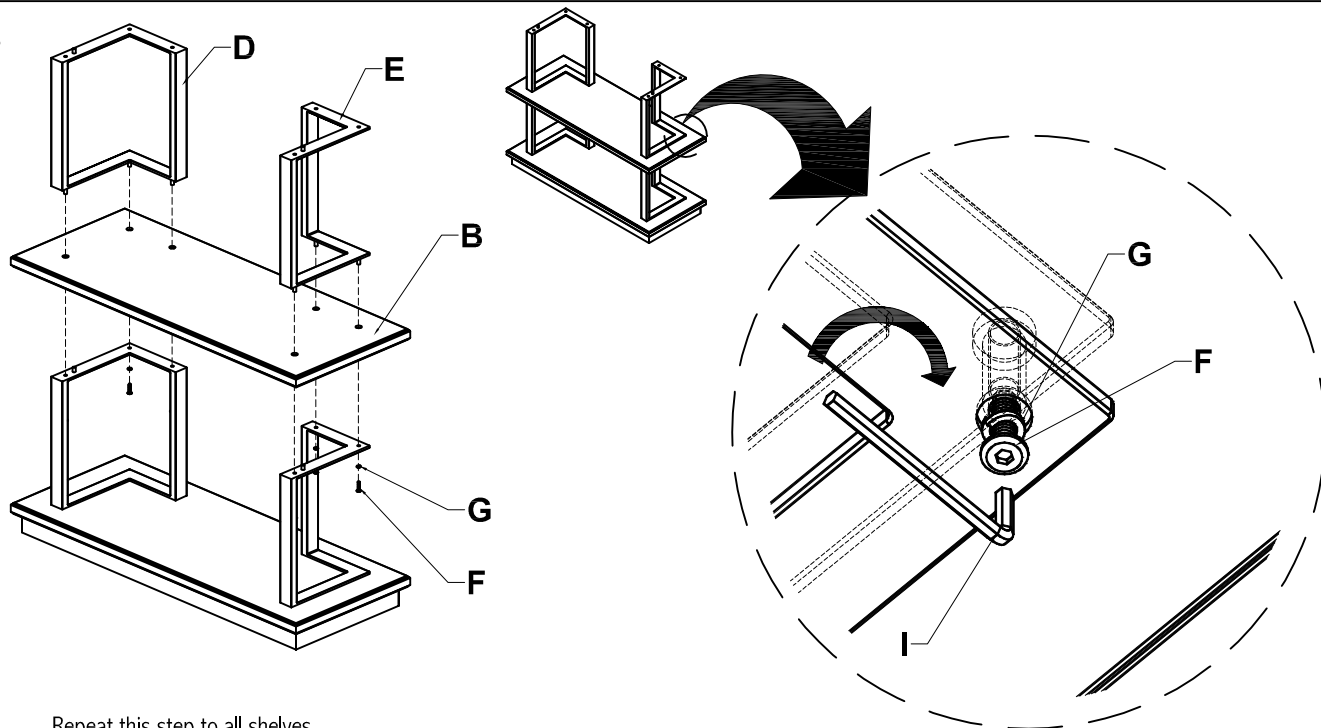
| NO. | PARTS LIST 91MADNRWHW | QTY |
|-----|--|--------|
| (E) | RIGHT METAL BAR  | 5 pcs |
| (F) | HEXAGONAL BOLT  | 36 pcs |
| (G) | SPRING WASHER  | 36 pcs |
| (H) | WASHER  | 6 pcs |
| (I) | ALLEN KEY  | 2 pcs |



ASSEMBLY INSTRUCTIONS

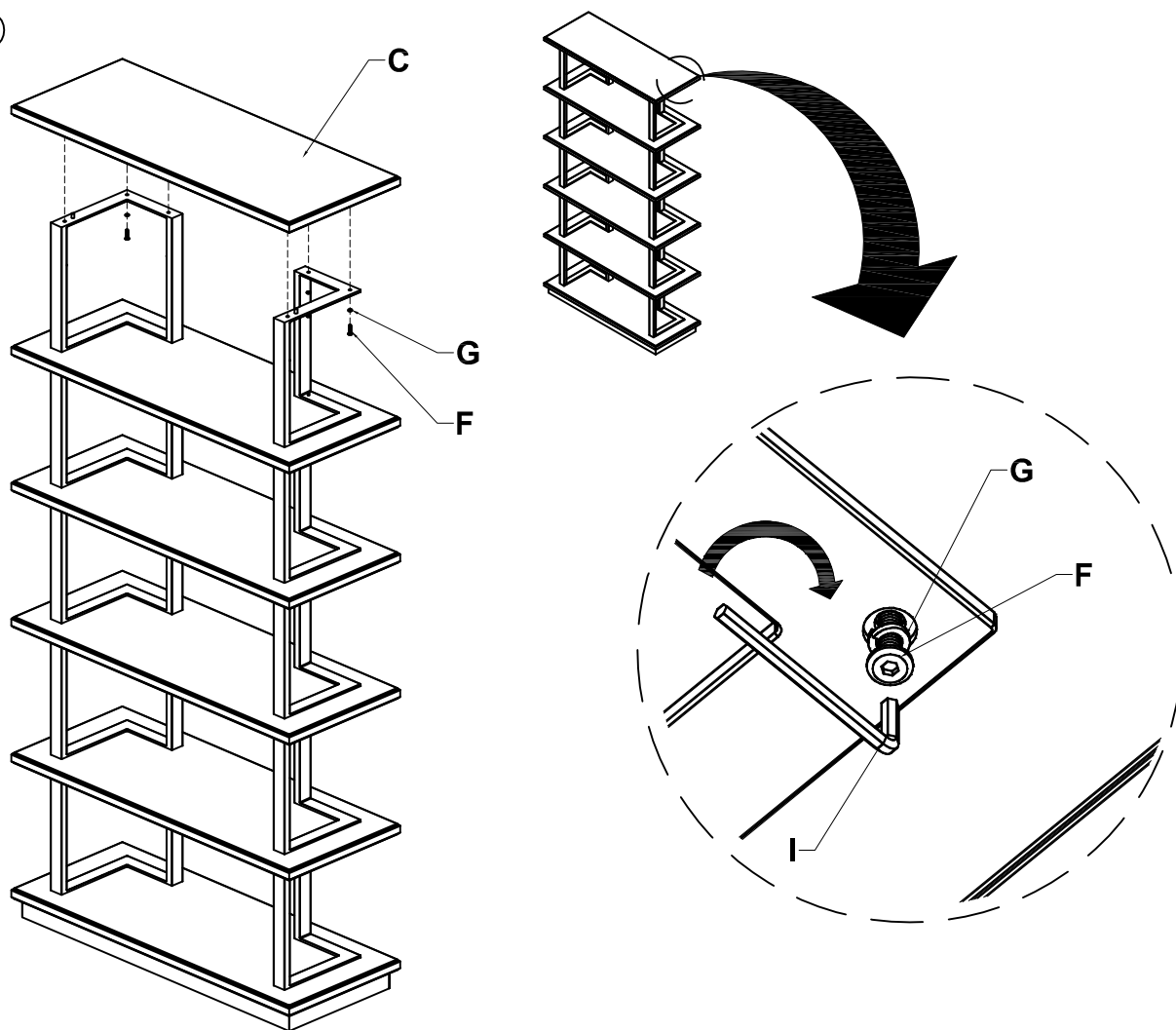
MADISON - SINGLE BOOKCASE

②



Repeat this step to all shelves.

③



WALL PARTS SKUS

| Super Category | Product ID | Description | Collection | Route |
|----------------|-------------|--------------------------------|------------|-------|
| WALL | 91MADDBLBHW | MADISON DBLE BKCS ASSEMBLY HDW | PT-MADISON | PART |
| WALL | 91MADNRWHW | MADISON NARROW BKCS ASSEM HDW | PT-MADISON | PART |

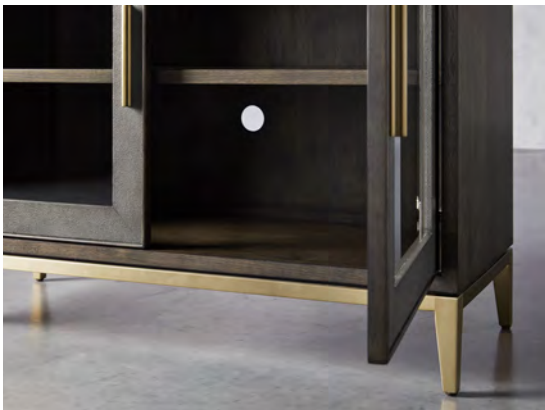
shown in
Flemish Natural/Bone



SOPHISTICATED SHAGREEN

Featuring a sleek aesthetic, our Malone Collection is artisan-crafted from solid parawood or oak wood—depending on your preferred finish—and surfaced with walnut or elm wood veneers. Insets made from reconstituted leather embossed with a shagreen pattern are complemented by hand-applied finishes to give this collection a modern look with intriguing textural details.

Elegant silhouettes, and warm brass, bronze or pewter accents will elevate your space to a new level of refinement.



NEED HELP?

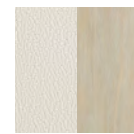
Visit a store, call **866.427.4287**, or **live chat** with our Design Team to learn more.



PRODUCT DETAILS

- + Pieces finished in Dark Walnut feature craftsman-built frames made from solid parawood surfaced with walnut wood veneers.
- + Pieces finished in Flemish Natural and Shale Grey feature craftsman-built frames made from solid oak wood with elm wood veneers.
- + Reconstituted leather insets are dyed and artfully embossed with textural shagreen detailing.
- + Wood finishes are hand-stained and coated with lacquer for added protection.
- + Warm brass, bronze or pewter-finished accents complement wood and leather surfaces.
- + Cabinet doors feature tempered glass panels, allowing visibility into cabinet interiors.
- + All Malone cabinets include levelers.
- + Keep your furniture looking its best. Visit arhaus.com or speak to any Arhaus Design Consultant for care recommendations.

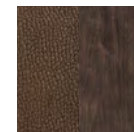
LEATHER / WOOD FINISHES:



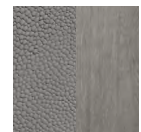
Bone /
Flemish Natural



Sparrow /
Dark Walnut



Caramel /
Dark Walnut



Manta /
Shale Grey

shown in
Sparrow/Dark Walnut



CABINET

38" w x 18" d x 82" h

Sparrow/Dark Walnut

Bone/Flemish Natural

Manta/Shale Grey

Caramel/Dark Walnut

40MALSPCAB

40MALBNCAB

40MALMTSDCBT

40MALCMSDCBT



CABINET WITH GLASS DOORS

38" w x 18" d x 82" h

Sparrow/Dark Walnut

Bone/Flemish Natural

Manta/Shale Grey

Caramel/Dark Walnut

40MALSPGCAB

40MALBNGCAB

40MALMTGDCBT

40MALCMGDCBT



SIDEBOARD

71" w x 18" d x 31" h

Sparrow/Dark Walnut

Bone/Flemish Natural

Manta/Shale Grey

Caramel/Dark Walnut

40MALSPMED

40MALBNMED

40MALMTSDSDB

40MALCMSDSDB



SIDEBOARD WITH GLASS DOORS

71" w x 18" d x 31" h

Sparrow/Dark Walnut
Bone/Flemish Natural
Manta/Shale Grey
Caramel/Dark Walnut

40MALSPGMED
40MALBNGMED
40MALMTGDSDB
40MALCMGDSDB



2-DOOR CABINET

43" w x 18" d x 31" h

Sparrow/Dark Walnut
Bone/Flemish Natural
Manta/Shale Grey
Caramel/Dark Walnut

40MALS2DSMD2
40MALB2DSMD2
40MALMTSDCHS
40MALCMSDCHS



TWO DOOR CABINET WITH GLASS DOORS

43" w x 18" d x 31" h

Sparrow/Dark Walnut
Bone/Flemish Natural
Manta/Shale Grey
Caramel/Dark Walnut

40MALS2DGM2
40MALB2DRGMD
40MALMTGDCHS
40MALCMGDGBT



BAR CABINET

36" w x 20" d x 41.5" h

Sparrow/Dark Walnut
Bone/Flemish Natural
Manta/Shale Grey
Caramel/Dark Walnut

40MALBRSPRW
40MALBRBONE
40MALBRMANTA
40MALBRCRM

ARHAUS®

your home

MALONE GLASS DOOR SIDEBORD

Thank you for choosing this quality product. Be sure to check all packaging materials carefully for small parts that may have become loose during shipment and place all parts on a non-abrasive surface.

⚠ WARNING: These case parts can be cumbersome and heavy to some people, therefore the assistance of two or more people is recommended in order to prevent personal injury and ensure the case are not damaged during the assembly process.

HARDWARE LIST

- [2] BRACKET
- [1] RESTRAINT STRAP
- [2] SHORTER] PHILIPS SCREWS
- [2] LONGER] PHILIPS SCREWS
- [2] PLASTIC ANCHOR

INSTALLATION INSTRUCTIONS

1. From the desired location, pre-set the unit 16" to 20" from the wall, examine the alignment of the drawers if leveling is necessary. If needed, slightly tilt the base and turn the head of the levelers clockwise to raise the furniture and counter-clockwise to lower it. Adjust all levelers until the correct level or flatness is achieved. Repeat adjustment
2. procedures if necessary, after the furniture settles on rugs or carpeted surface. Please see FIGURE 01.
3. Attach two of the mounting brackets near the top back edge of the furniture piece using the shorter screw.
4. Determine the final position of the furniture piece and mark locations on the wall approximately 2" below the brackets mounted to the back of the furniture piece.
5. Drill a shorter hole into the drywall stud. If a wall stud is not available, drill a hole into the solid wall and insert the plastic anchor. Gently tap the anchor until the flange is flush with the wall.
6. Attach the second set of brackets using the longer screw through the bracket hole and into the wall.
7. Place the furniture so that the brackets on the back edge are in line with the brackets in the wall.
8. Lace one end of the nylon restraint straps down through each bracket. Bring both ends together and slide the beaded end until it snaps locks into the keyhole slot.
9. To double lock; return the beaded end through the keyholes as shown.
10. Check to make sure the straps are securely laced and locked to the brackets. Please see FIGURE 02.

FIGURE 01

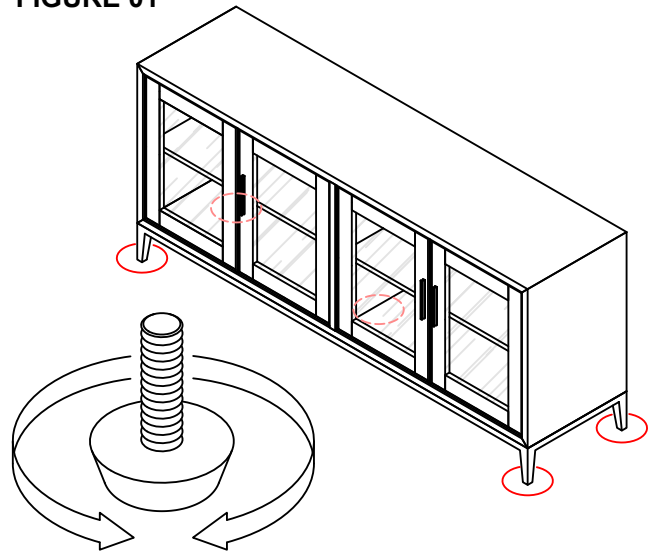
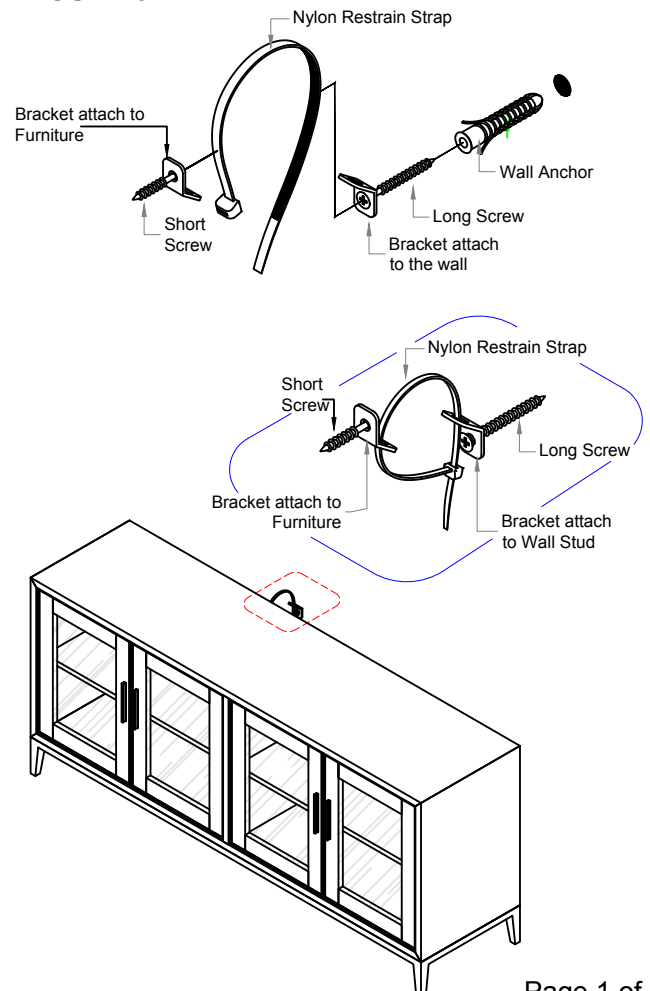


FIGURE 02



MALONE GLASS DOOR SIDEBOARD

SHELF ADJUSTMENT

On the inside surface of Sideboard are holes for the shelf supports. The adjustable shelf can be installed in any position corresponding with a set of pre-bored shelf support holes. If relocating the shelf is needed, please follow the steps below.

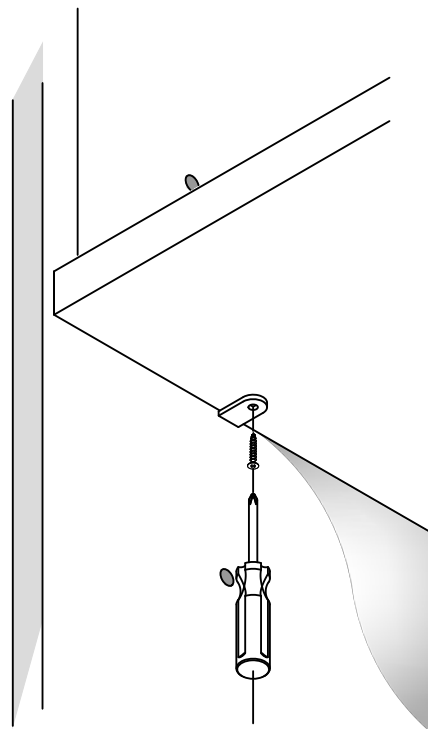
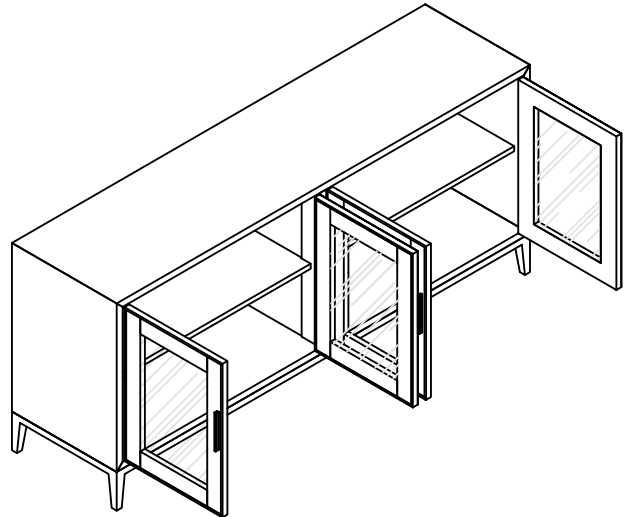
Remove the screws that connect to the shelf and shelf supports. Please see the sketch. Remove the shelf and re-insert the shelf support on your desired support holes and make sure all the shelf supports are inserted completely in the holes, in the correct position, and correct hole locations before placing the shelf back. Set the shelf on the shelf support and secure it with the existing screws. Please see the sketch.

Note:

Items should be distributed evenly on the shelves not concentrated in one area.

CARE INSTRUCTIONS

- Dust often using a clean, soft, dry lint-free cloth.
- Blot spills immediately, and wipe with a clean, damp, cloth.
- We do not recommend the use of chemical cleansers, abrasives, or furniture polish on our lacquered finish.



SHELF ASSEMBLY

ARHAUS®

your home

MALONE TALL CLOSED CABINET

Thank you for choosing this quality product. Be sure to check all packaging materials carefully for small parts that may have become loose during shipment and place all parts on a non-abrasive surface.

⚠ WARNING: These case parts can be cumbersome and heavy to some people, therefore the assistance of two or more people is recommended in order to prevent personal injury and ensure the case are not damaged during the assembly process.

HARDWARE LIST

- [2] BRACKET
- [1] RESTRAINT STRAP
- [2] SHORTER] PHILIPS SCREWS
- [2] LONGER] PHILIPS SCREWS
- [2] PLASTIC ANCHOR

INSTALLATION INSTRUCTIONS

1. From the desired location, pre-set the unit 16" to 20" from the wall, examine the alignment of the drawers if leveling is necessary. If needed, slightly tilt the base and turn the head of the levelers clockwise to raise the furniture and counter-clockwise to lower it. Adjust all levelers until the correct level or flatness is achieved. Repeat adjustment
2. procedures if necessary, after the furniture settles on rugs or carpeted surface. Please see FIGURE 01.
3. Attach two of the mounting brackets near the top back edge of the furniture piece using the shorter screw.
4. Determine the final position of the furniture piece and mark locations on the wall approximately 2" below the brackets mounted to the back of the furniture piece.
5. Drill a shorter hole into the drywall stud. If a wall stud is not available, drill a hole into the solid wall and insert the plastic anchor. Gently tap the anchor until the flange is flush with the wall.
6. Attach the second set of brackets using the longer screw through the bracket hole and into the wall.
7. Place the furniture so that the brackets on the back edge are in line with the brackets in the wall.
8. Lace one end of the nylon restraint straps down through each bracket. Bring both ends together and slide the beaded end until it snaps locks into the keyhole slot.
9. To double lock; return the beaded end through the keyholes as shown.
10. Check to make sure the straps are securely laced and locked to the brackets. Please see FIGURE 02.

FIGURE 01

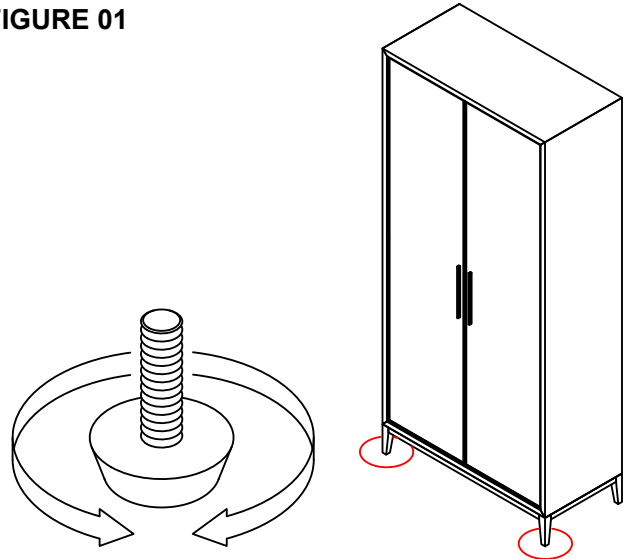
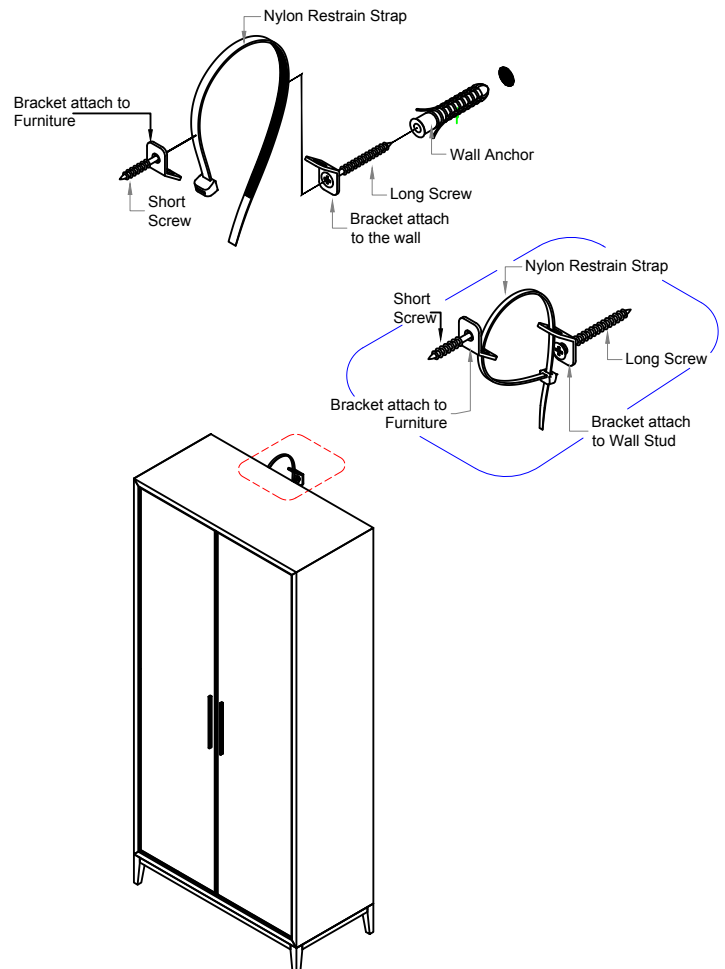


FIGURE 02



MALONE TALL CLOSED CABINET

SHELF ADJUSTMENT

On the inside surface of Sideboard are holes for the shelf supports. The adjustable shelf can be installed in any position corresponding with a set of pre-bored shelf support holes. If relocating the shelf is needed, please follow the steps below.

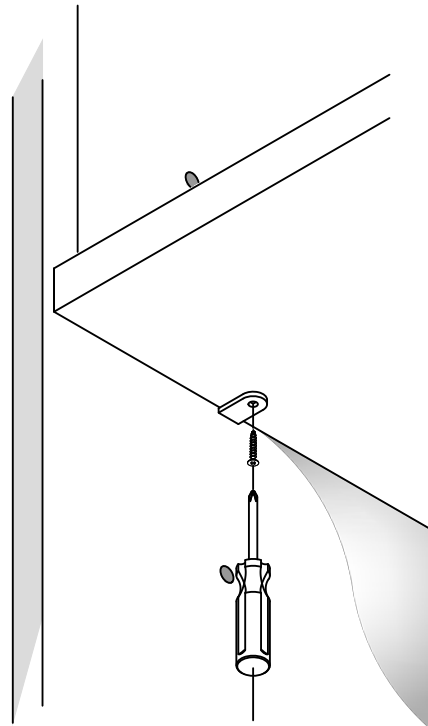
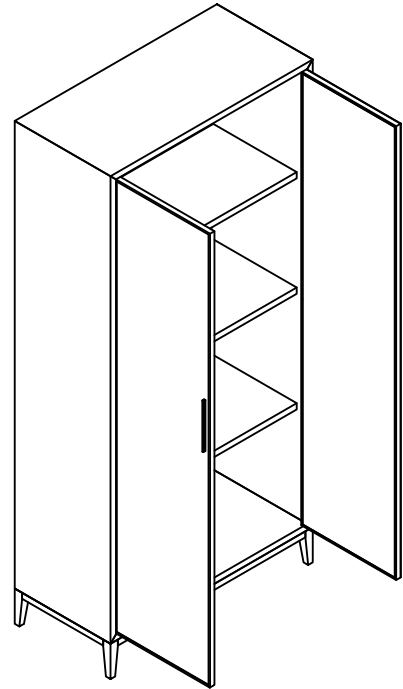
Remove the screws that connect to the shelf and shelf supports. Please see the sketch. Remove the shelf and re-insert the shelf support on your desired support holes and make sure all the shelf supports are inserted completely in the holes, in the correct position, and correct hole locations before placing the shelf back. Set the shelf on the shelf support and secure it with the existing screws. Please see the sketch.

Note:

Items should be distributed evenly on the shelves not concentrated in one area.

CARE INSTRUCTIONS

- Dust often using a clean, soft, dry lint-free cloth.
- Blot spills immediately, and wipe with a clean, damp, cloth.
- We do not recommend the use of chemical cleansers, abrasives, or furniture polish on our lacquered finish.



SHELF ASSEMBLY

ARHAUS®

your home

MALONE TALL GLASS CABINET

Thank you for choosing this quality product. Be sure to check all packaging materials carefully for small parts that may have become loose during shipment and place all parts on a non-abrasive surface.

⚠ WARNING: These case parts can be cumbersome and heavy to some people, therefore the assistance of two or more people is recommended in order to prevent personal injury and ensure the case are not damaged during the assembly process.

HARDWARE LIST

- [2] BRACKET
- [1] RESTRAINT STRAP
- [2] SHORTER] PHILIPS SCREWS
- [2] LONGER] PHILIPS SCREWS
- [2] PLASTIC ANCHOR

INSTALLATION INSTRUCTIONS

1. From the desired location, pre-set the unit 16" to 20" from the wall, examine the alignment of the drawers if leveling is necessary. If needed, slightly tilt the base and turn the head of the levelers clockwise to raise the furniture and counter-clockwise to lower it. Adjust all levelers until the correct level or flatness is achieved. Repeat adjustment
2. procedures if necessary, after the furniture settles on rugs or carpeted surface. Please see FIGURE 01.
3. Attach two of the mounting brackets near the top back edge of the furniture piece using the shorter screw.
4. Determine the final position of the furniture piece and mark locations on the wall approximately 2" below the brackets mounted to the back of the furniture piece.
5. Drill a shorter hole into the drywall stud. If a wall stud is not available, drill a hole into the solid wall and insert the plastic anchor. Gently tap the anchor until the flange is flush with the wall.
6. Attach the second set of brackets using the longer screw through the bracket hole and into the wall.
7. Place the furniture so that the brackets on the back edge are in line with the brackets in the wall.
8. Lace one end of the nylon restraint straps down through each bracket. Bring both ends together and slide the beaded end until it snaps locks into the keyhole slot.
9. To double lock; return the beaded end through the keyholes as shown.
10. Check to make sure the straps are securely laced and locked to the brackets. Please see FIGURE 02.

FIGURE 01

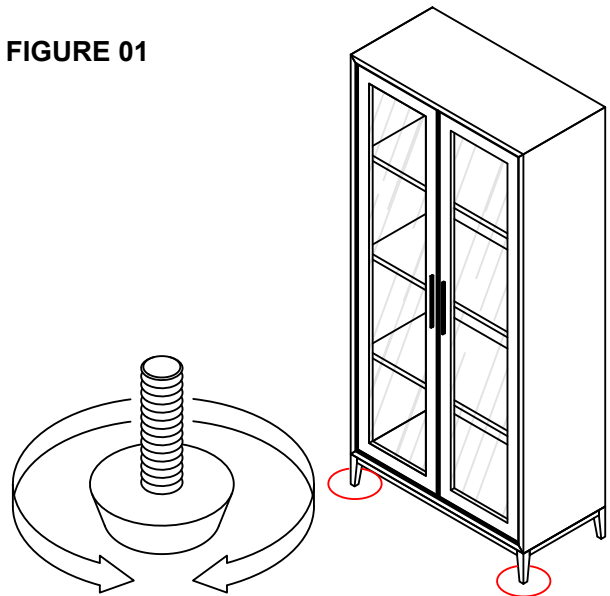
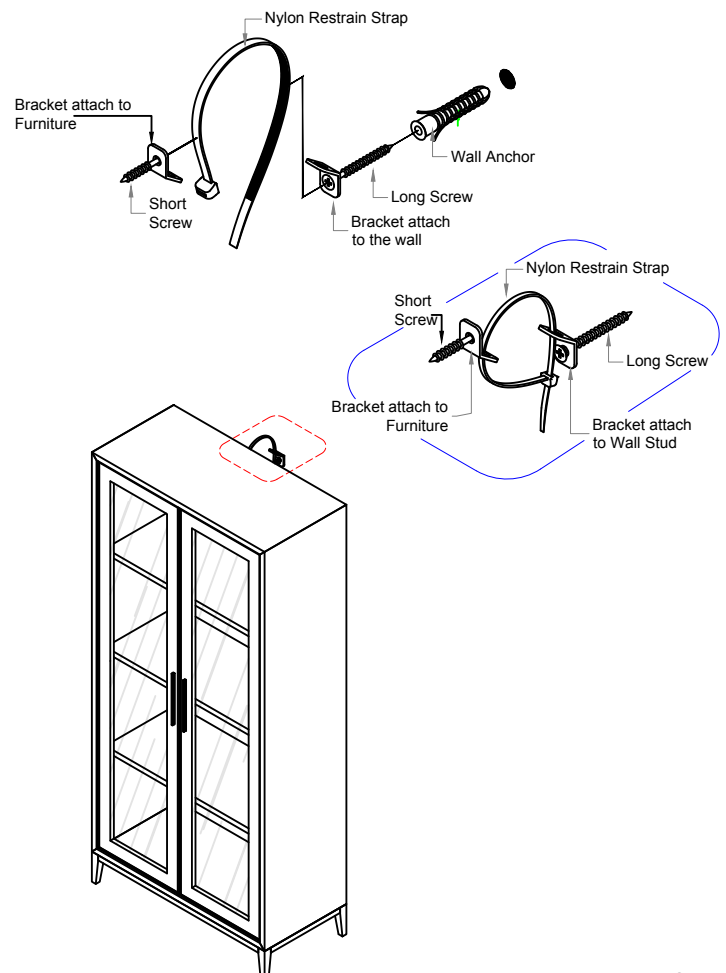


FIGURE 02



ARHAUS®

your home

MALONE TALL GLASS CABINET

SHELF ADJUSTMENT

On the inside surface of Sideboard are holes for the shelf supports. The adjustable shelf can be installed in any position corresponding with a set of pre-bored shelf support holes. If relocating the shelf is needed, please follow the steps below.

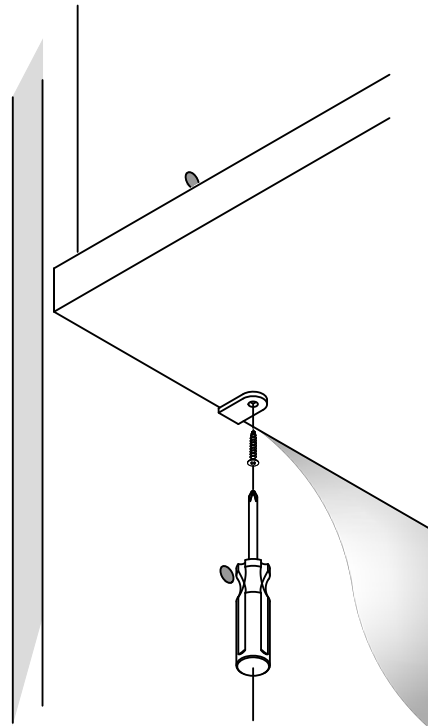
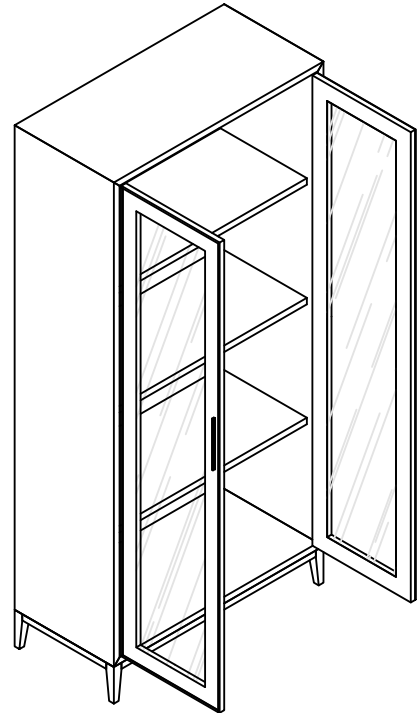
Remove the screws that connect to the shelf and shelf supports. Please see the sketch. Remove the shelf and re-insert the shelf support on your desired support holes and make sure all the shelf supports are inserted completely in the holes, in the correct position, and correct hole locations before placing the shelf back. Set the shelf on the shelf support and secure it with the existing screws. Please see the sketch.

Note:

Items should be distributed evenly on the shelves not concentrated in one area.

CARE INSTRUCTIONS

- Dust often using a clean, soft, dry lint-free cloth.
- Blot spills immediately, and wipe with a clean, damp, cloth.
- We do not recommend the use of chemical cleansers, abrasives, or furniture polish on our lacquered finish.



SHELF ASSEMBLY

ARHAUS®

your home

MALONE WOOD DOOR SIDEBOARD

Thank you for choosing this quality product. Be sure to check all packaging materials carefully for small parts that may have become loose during shipment and place all parts on a non-abrasive surface.

⚠ WARNING: These case parts can be cumbersome and heavy to some people, therefore the assistance of two or more people is recommended in order to prevent personal injury and ensure the case are not damaged during the assembly process.

HARDWARE LIST

- [2] BRACKET
- [1] RESTRAINT STRAP
- [2] SHORTER] PHILIPS SCREWS
- [2] LONGER] PHILIPS SCREWS
- [2] PLASTIC ANCHOR

INSTALLATION INSTRUCTIONS

1. From the desired location, pre-set the unit 16" to 20" from the wall, examine the alignment of the drawers if leveling is necessary. If needed, slightly tilt the base and turn the head of the levelers clockwise to raise the furniture and counter-clockwise to lower it. Adjust all levelers until the correct level or flatness is achieved. Repeat adjustment
2. procedures if necessary, after the furniture settles on rugs or carpeted surface. Please see FIGURE 01.
3. Attach two of the mounting brackets near the top back edge of the furniture piece using the shorter screw.
4. Determine the final position of the furniture piece and mark locations on the wall approximately 2" below the brackets mounted to the back of the furniture piece.
5. Drill a shorter hole into the drywall stud. If a wall stud is not available, drill a hole into the solid wall and insert the plastic anchor. Gently tap the anchor until the flange is flush with the wall.
6. Attach the second set of brackets using the longer screw through the bracket hole and into the wall.
7. Place the furniture so that the brackets on the back edge are in line with the brackets in the wall.
8. Lace one end of the nylon restraint straps down through each bracket. Bring both ends together and slide the beaded end until it snaps locks into the keyhole slot.
9. To double lock; return the beaded end through the keyholes as shown.
10. Check to make sure the straps are securely laced and locked to the brackets. Please see FIGURE 02.

FIGURE 01

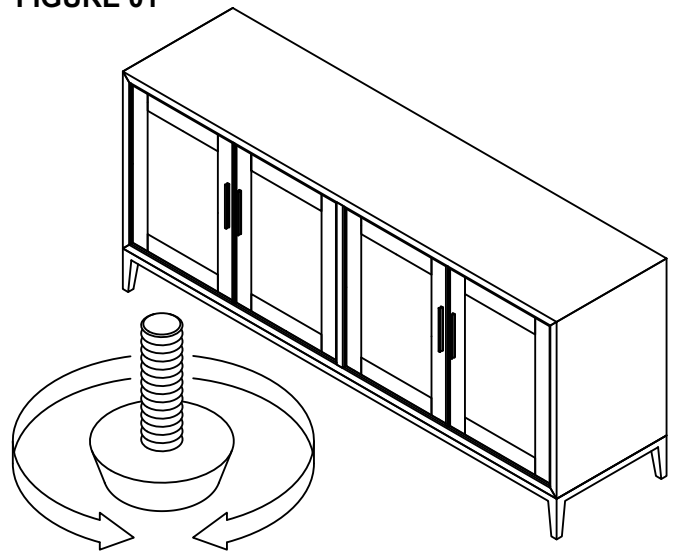
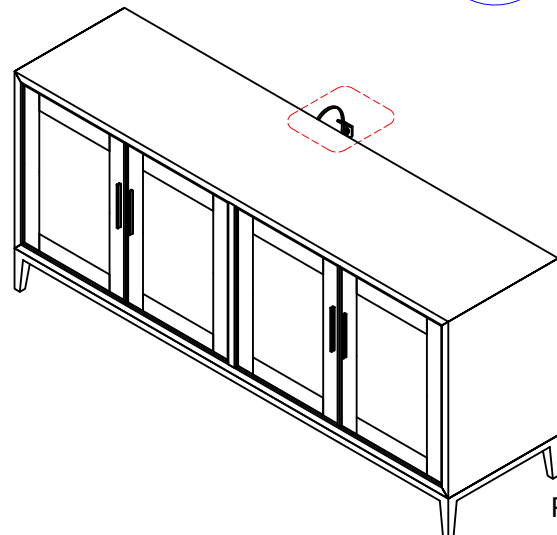
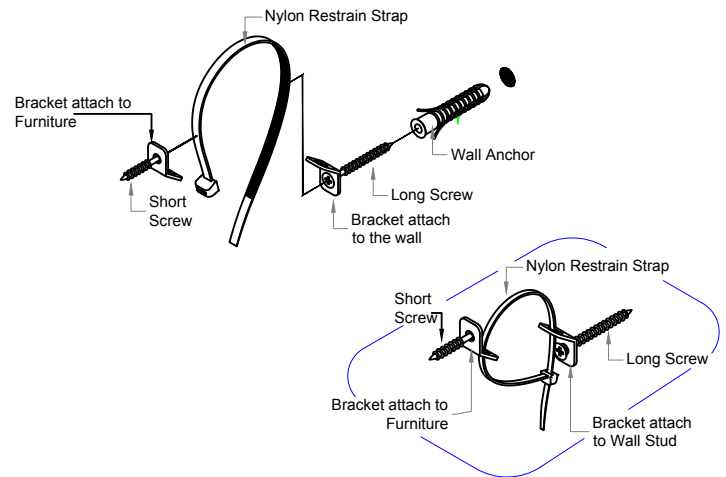


FIGURE 02



MALONE WOOD DOOR SIDEBOARD

SHELF ADJUSTMENT

On the inside surface of Sideboard are holes for the shelf supports. The adjustable shelf can be installed in any position corresponding with a set of pre-bored shelf support holes. If relocating the shelf is needed, please follow the steps below.

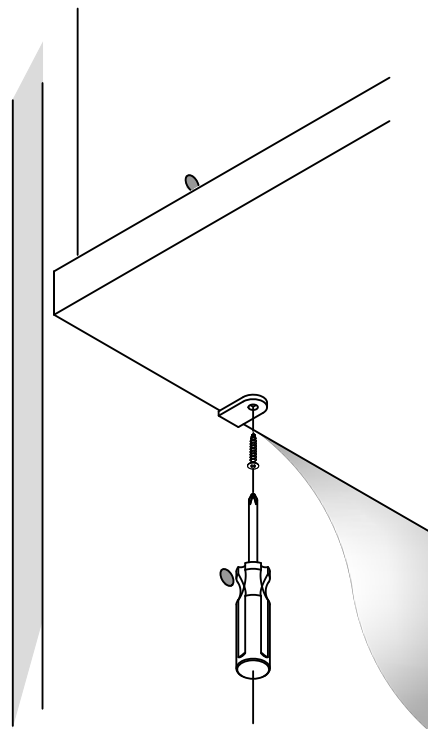
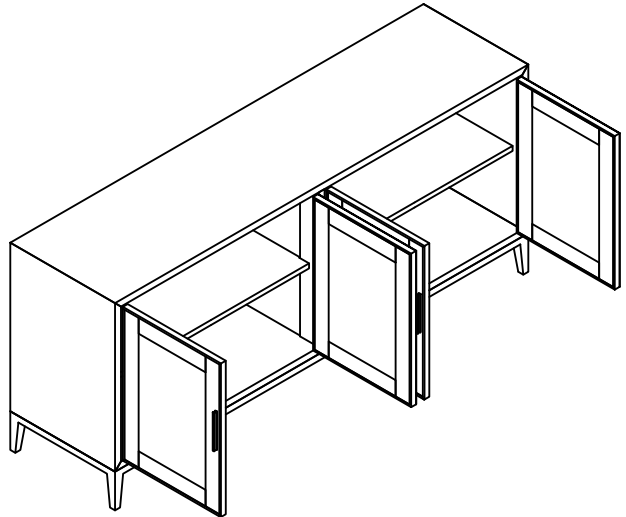
Remove the screws that connect to the shelf and shelf supports. Please see the sketch. Remove the shelf and re-insert the shelf support on your desired support holes and make sure all the shelf supports are inserted completely in the holes, in the correct position, and correct hole locations before placing the shelf back. Set the shelf on the shelf support and secure it with the existing screws. Please see the sketch.

Note:

Items should be distributed evenly on the shelves not concentrated in one area.

CARE INSTRUCTIONS

- Dust often using a clean, soft, dry lint-free cloth.
- Blot spills immediately, and wipe with a clean, damp, cloth.
- We do not recommend the use of chemical cleansers, abrasives, or furniture polish on our lacquered finish.



SHELF ASSEMBLY

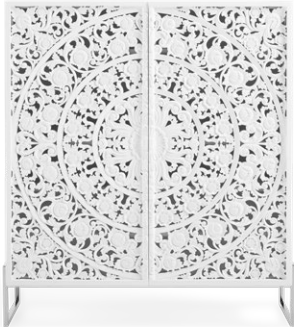
WALL PARTS SKUS

| CATEGORY | SKU | DESCRIPTION | STATUS | COLLECTION | ROUTE |
|----------|--------------|---|--------|------------|-------|
| WALL | 91MLNCBDRCTH | MALONE CAB/MEDIA DOOR CATCH ALL FINISHES, 1 SET-DOOR CATCH | A | PT-MALONE | PART |

ARHAUS®

your home

mandara



Cabinet

51" w x 20" d x 57" h

Jepara White 40MAND51WH
Jepara Natural 40MAND51GR



2-Door Cabinet

36.25" w x 17.75" d x 31.75" h

Jepara White 40MAND2DWH
Jepara Natural 40MAND2DGR

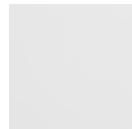


Media Cabinet

70.75" w x 17.75" d x 31.75" h

Jepara White 40MAND71WH
Jepara Natural 40MAND71GR

Finishes:



Jepara White



Jepara Natural

an authentic work of art

Completely hand-carved over four days by a single artisan—each piece of our Mandara collection is sculpted from solid mahogany. Indonesian craftsmen create stunning designs in small, limited quantities using traditional, time-honored techniques. Featuring incredible detailing and intricately scrolling floral motifs, every wooden surface of these masterpiece cabinets is artisan-finished and lacquered for added protection and subtle sheen. Simple finishes emphasize every carved pattern, allowing natural shadows to define each sculpted line and curve.

product details

- ▶ Handcrafted by Indonesian artisans from solid mahogany and mahogany veneers.
- ▶ Scrolling floral motifs are meticulously hand-carved over four days by a single artisan, using traditional tools and techniques.
- ▶ Each wooden surface is carefully finished by craftsmen and coated in lacquer for added protection and to accentuate its hand-sculpted detailing.
- ▶ Cabinets are supported by strong and durable steel legs.
- ▶ This collection is artisan-crafted from natural materials with hand-applied finishes. Individual pieces may vary in color, pattern, shape, and texture, making each truly unique.
- ▶ Natural wood may display small splits, knots, joint lines, or other organic features that will not affect the quality or performance of your piece.
- ▶ Cabinet doors are backed with glass panels.
- ▶ Cabinets features adjustable/removable shelving and cord management holes to accommodate electronics.
- ▶ Cabinet doors operate with spring-touch locking mechanisms.
- ▶ Keep your furniture looking its best. Visit arhaus.com or speak to any Arhaus Design Consultant for care recommendations.

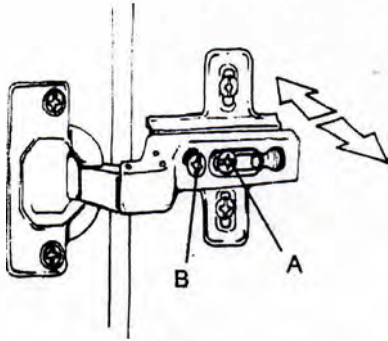


mandara | wall collection | made in Indonesia

Dimensions may vary slightly. Please ensure furnishings fit through interior structures and into desired space before purchase.

INSTRUCTIONS FOR ADJUSTING THE DOORS

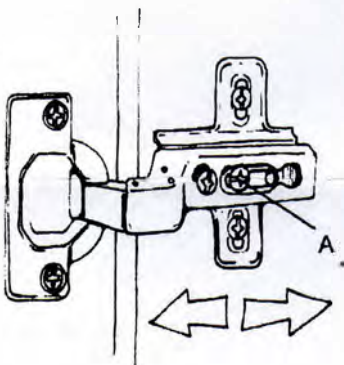
The doors will already be adjusted by the manufacturer with the furniture on level ground. If you floor is uneven the doors may need further adjustment and this can be done with the hinges as shown below:



1. TO ADJUST THE DOORS FROM SIDE TO SIDE

Slacken screw A and adjust the door position from side to side using screw B.

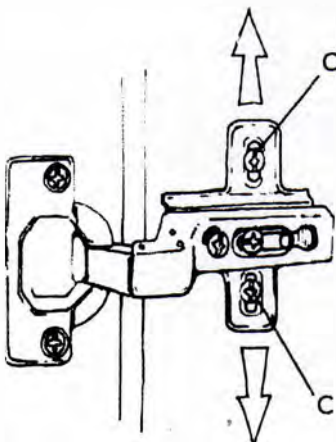
When the door is correctly adjusted re-tighten screw A.



2. TO ADJUST THE DOORS FROM FRONT TO BACK

Slacken screw A and adjust door from front to back.

When the door is correctly adjusted re-tighten screw A.



3. TO ADJUST THE DOORS UP OR DOWN

Slacken both screws C and adjust the door up or down

When the door is correctly adjusted re-tighten both screws C.

HINGE: 917907MANHNG

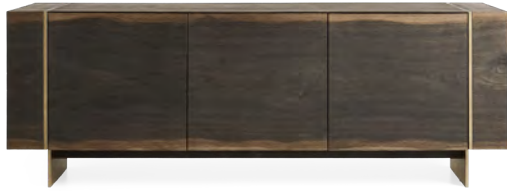
WALL PARTS SKUS

| CATEGORY | SKU | DESCRIPTION | STATUS | COLLECTION | ROUTE |
|----------|--------------|--|--------|------------|-------|
| WALL | 91MNDCBLEBEL | MANDARA CABINET LEVELERS ALL FINISHES | A | PT-MANDARA | PART |
| WALL | 917907MANHNG | MANDARA HINGE MANDARA | A | PT-MANDARA | PART |
| WALL | 91MANCONLEV | MANDARA MEDIA CONSOLE LEVELERS MANDARA | A | PT-MANDARA | PART |
| WALL | 91MANCONLAT | MANDARA MEDIA PUSH LATCH MANDARA | A | PT-MANDARA | PART |
| WALL | 91MANDMDSQCP | MANDARA MEDIA SQUARE CAP SQUARE CAP FOR LEVELER | A | PT-MANDARA | PART |
| WALL | 91MANDPEG | MANDARA/ANWAR SHELF PEG QTY 1 SILVER, SCREW IN | A | PT-MANDARA | PART |

3-DOOR CABINET

70" w x 19.75" d x 25.5" h

Vin Rosu 40MIHAELAMD2
Vin Alb 40MHLVALB71MD



BOOKCASE

51.18" w X 17.75" d X 78.75" h

Vin Rosu 40MHLVROSBK2
Vin Alb 40MHLVALBK



ARTISAN-MADE

Inspired by the stained interiors of wine barrels, our Mihaela Collection is a masterfully crafted work of art. Each piece is built by a family of artisans using Romanian oak that has been hand-cut from the foothills surrounding their mountain village. Finishes are applied by hand—a closely guarded, secretive process that creates a rich color, accentuating the natural textures and organic grain patterns of the wood.

PRODUCT DETAILS

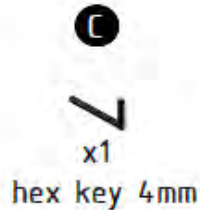
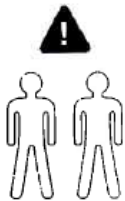
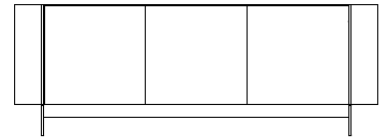
- + Frames are craftsman-built from solid Romanian oak—sustainably harvested by our artisans.
- + Hand-carved detailing is artfully painted to appear as metallic brass accents.
- + Each finishing process takes three days to complete per piece. Using water to open the wood's grain, finishes are able to penetrate the full thickness of solid wood surfaces.
- + Three-door cabinets feature two cavities with an adjustable shelf in each.
- + Keep your furniture looking its best. Visit arhaus.com or speak to any Arhaus Design Consultant for care recommendations.





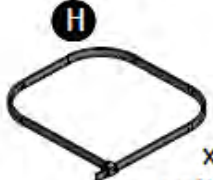
NEED HELP?

Visit a store, call **866.427.4287**, or **live chat** with our Design Team to learn more.

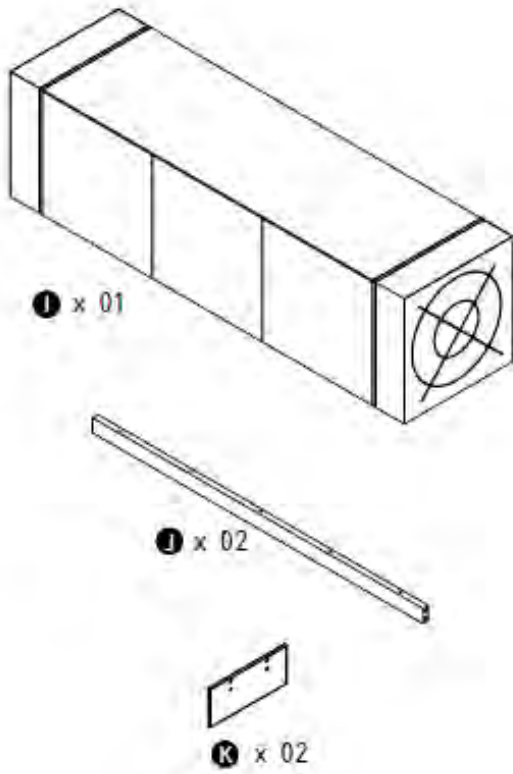
SKU 40MIHAELAMD

This page list the contents included in the box. Please take time to identify the hardware as well as individual components of the products. As you unpack and prepare for assembly, place the contents on a carpeted or padded area to protect them from damage. Please follow the assembly instruction closely. Improper assembly can result in personal or property damage.

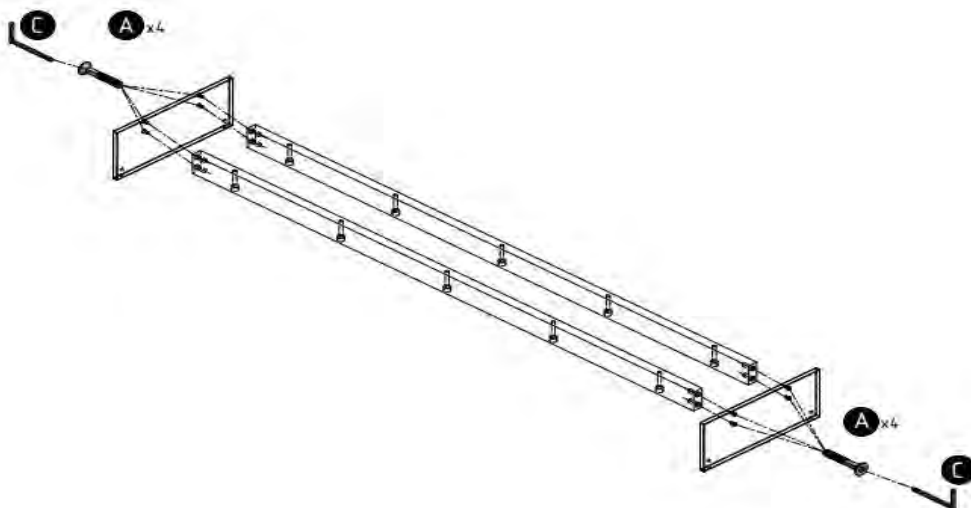


| Furniture tipping restraint Safety Mounting Assembly | | HARDWARE |
|--|---|--|
|  x 4 long screw |  x 4 short screw |  x 4 wall fitting |
|  x 4 plastic anchor |  x 2 wall strap | |

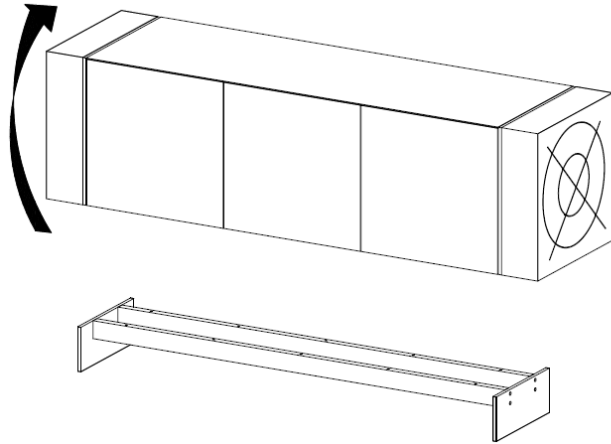
SKU 40MIHAELAMD



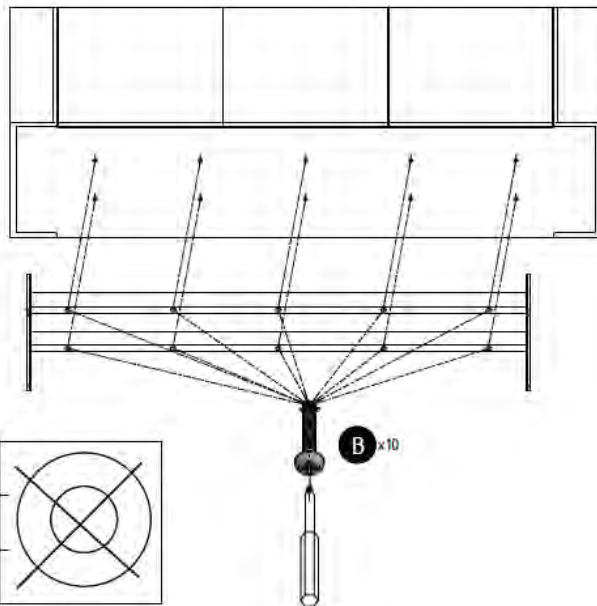
Using the bolts **A** connect the 2 wood element **J** with the 2 metal legs **K** as in the figure below.



SKU 40MIHAELAMD



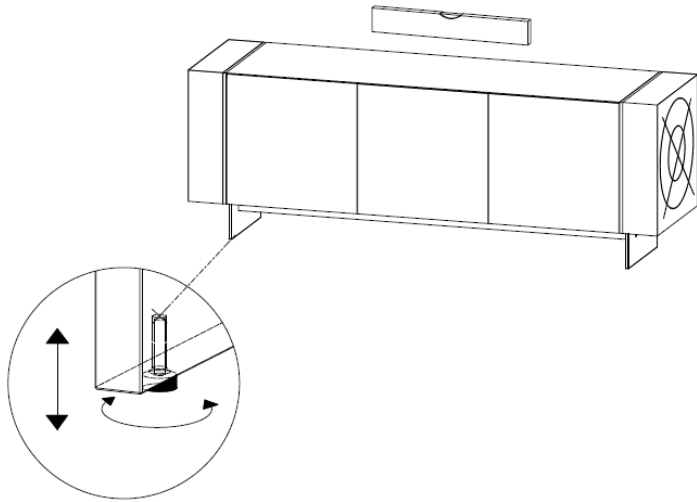
Place the cabinet on its back



Mount all screws **B** about 95%.

After mounting, screw /tighten up to 100

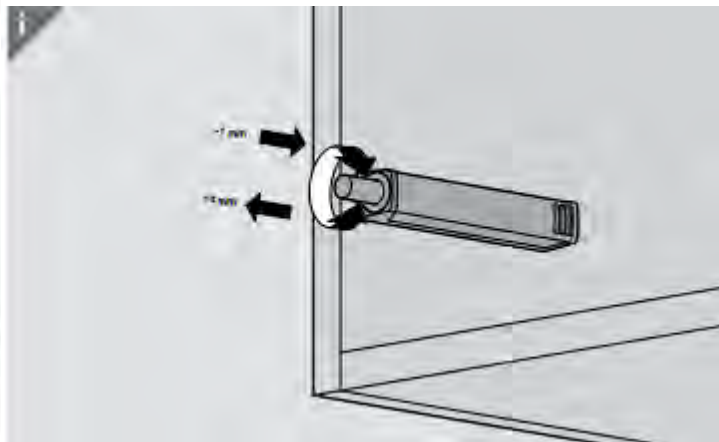
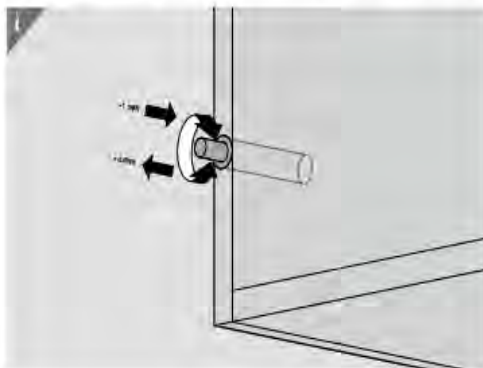
SKU 40MIHAELAMD



Place Mihaela Media in the final position and adjust leveling if necessary.

Clean surfaces with a dry or damp soft cloth. Do not use abrasive cleaners. Do not use furniture wax or polish.

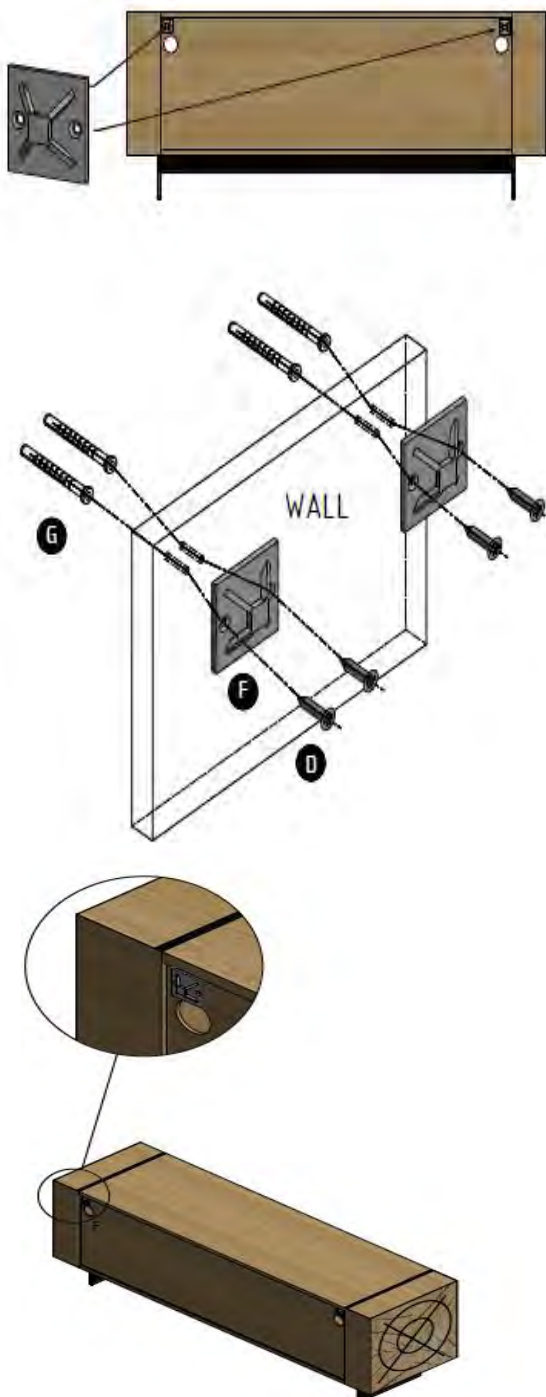
Adjustment push system for doors



SKU 40MIHAELAMD

Furniture tipping restraint. Safety mounting assembly.

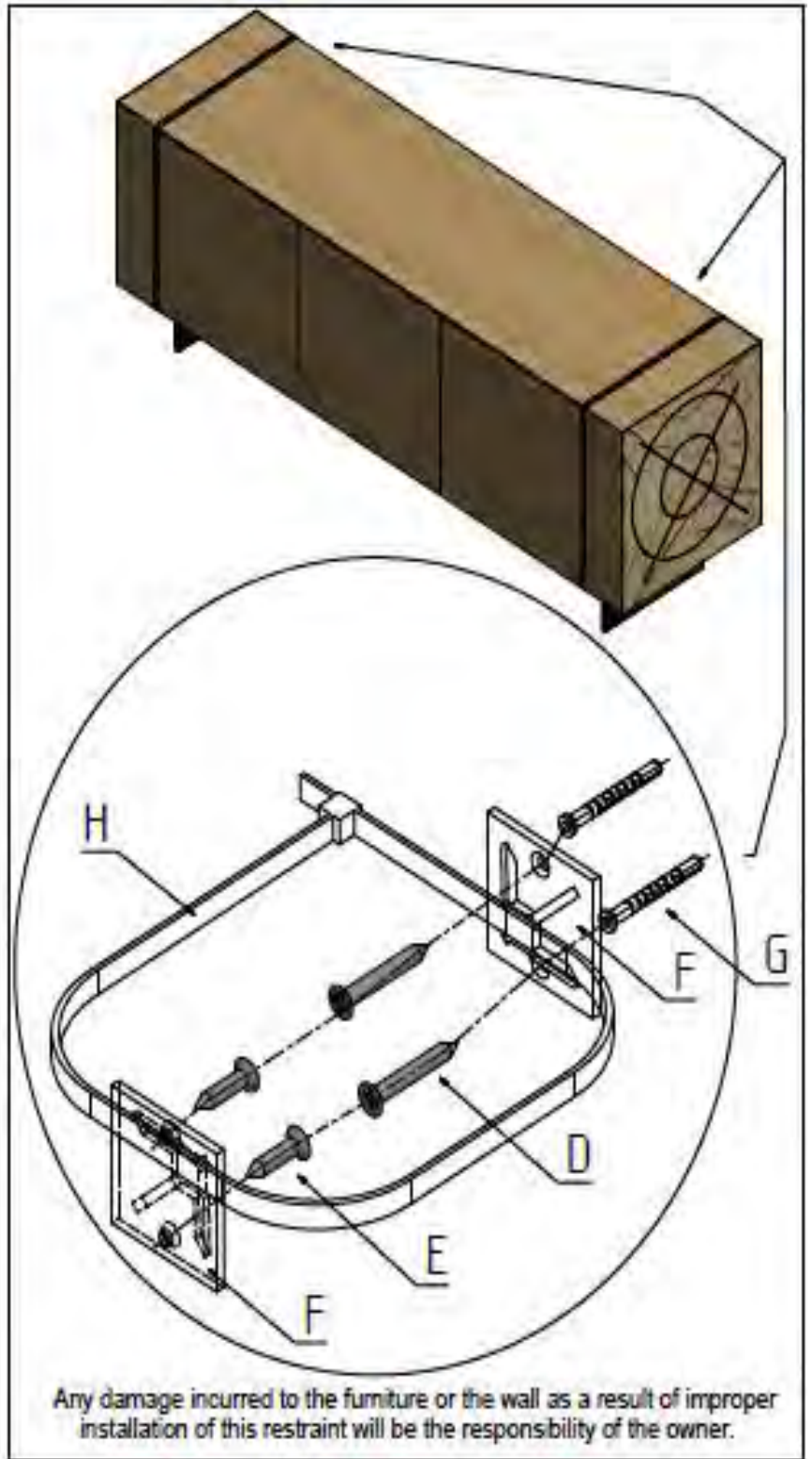
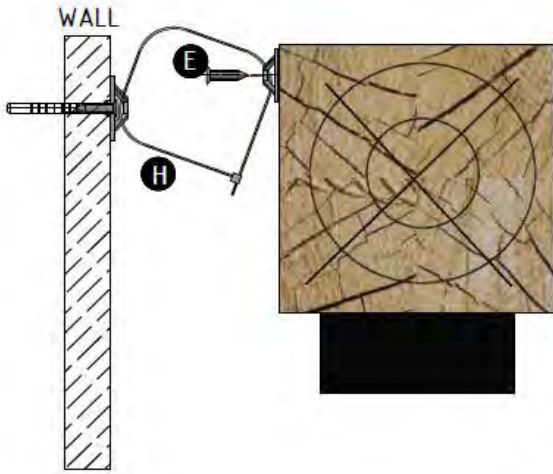
For added safety and stability, it is recommended that the wall mounting hardware be installed. For safe mounting, it is essential to use wall anchors appropriate to your wall type (i.e. Plaster, drywall, concrete, etc.).



Mount to wood studs whenever possible.

- Attach **2 pc of wall fitting** to furniture as shown, using small screws.
- Determine the final position for the furniture. Mark position on the wall approximately 2" below the bracket mounted to the back of the unit.
- Drill 2 hole in the wall stud. If the wall stud is not available, drill holes in the wall that is slightly smaller in diameter than the anchor. Gently tap the **plastic anchor** until the flange of the anchor is flush with the wall.
- Attach the 2 wall fitting to the wall by inserting the 2 large screws through the wall fitting and into the plastic anchor in the wall
- Place the unit so the wall fitting on the back edge is aligned with the wall fitting on the wall.
- Lace one end of the **wall strap** through both fittings, and into the other end of the strap.
- Pull the strap tightly until secure

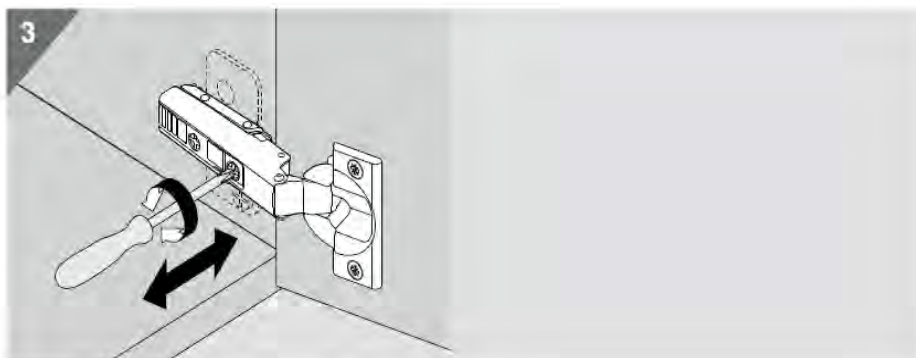
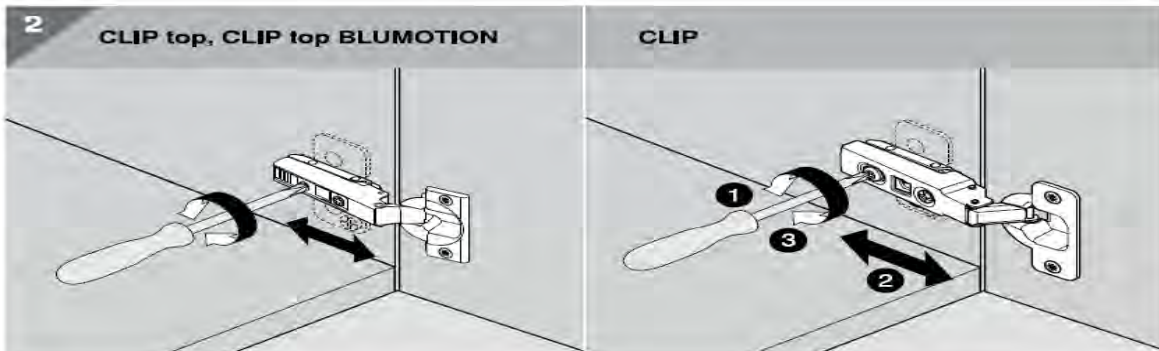
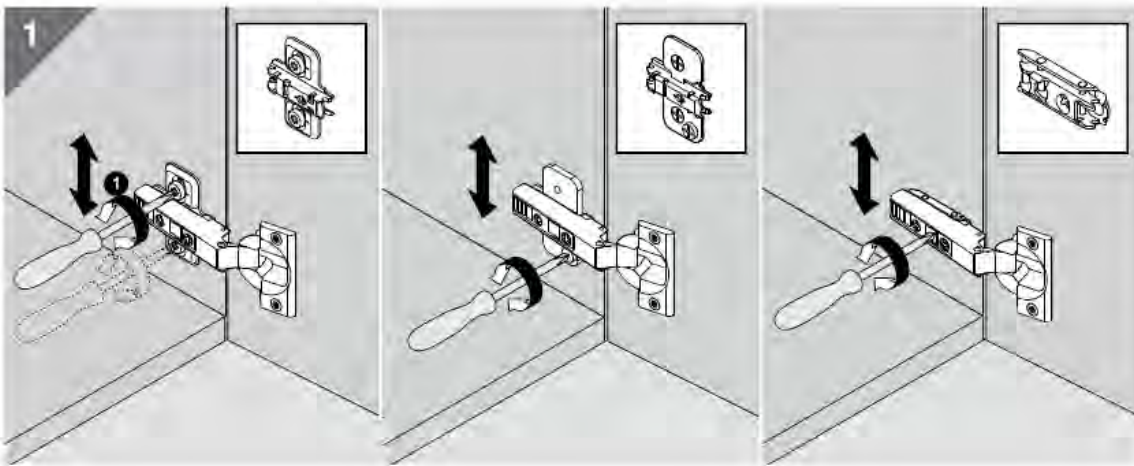
SKU 40MIHAELAMD



SKU 40MIHAELAMD

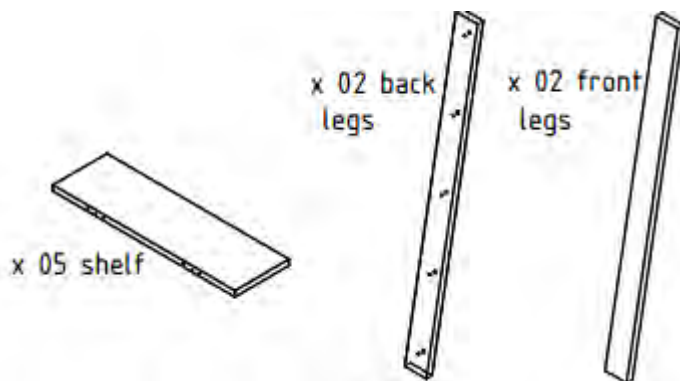
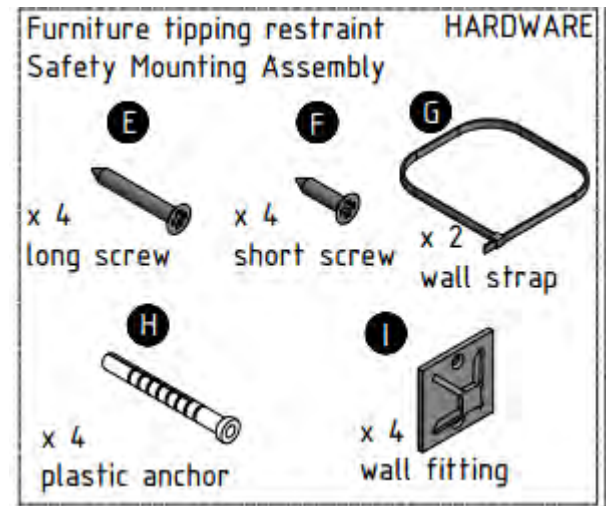
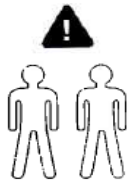
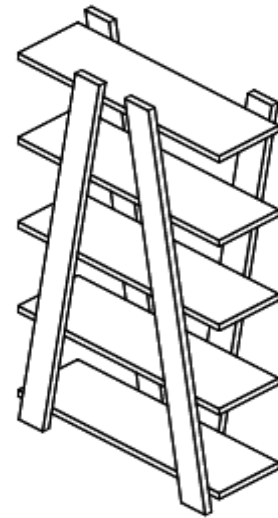
Door adjustment

CLIP top BLUMOTION,
CLIP top, CLIP
blum



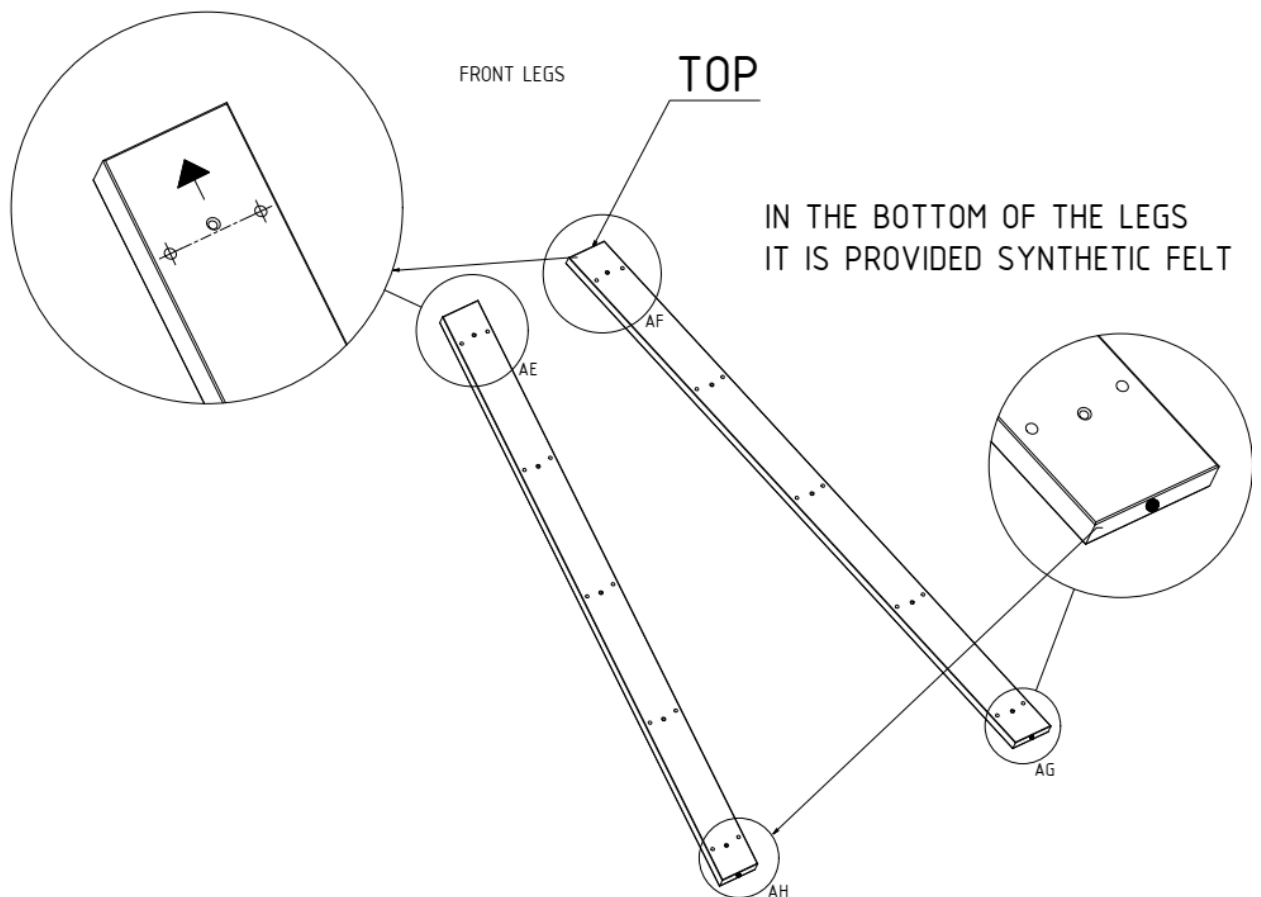
SKU 40MHLVROSBK

This page list the contents included in the box. Please take time to identify the hardware as well as individual components of the products. As you unpack and prepare for assembly, place the contents on a carpeted or padded area to protect them from damage. Please follow the assembly instruction closely. Improper assembly can result in personal or property damage.



SKU 40MHLVROSBK

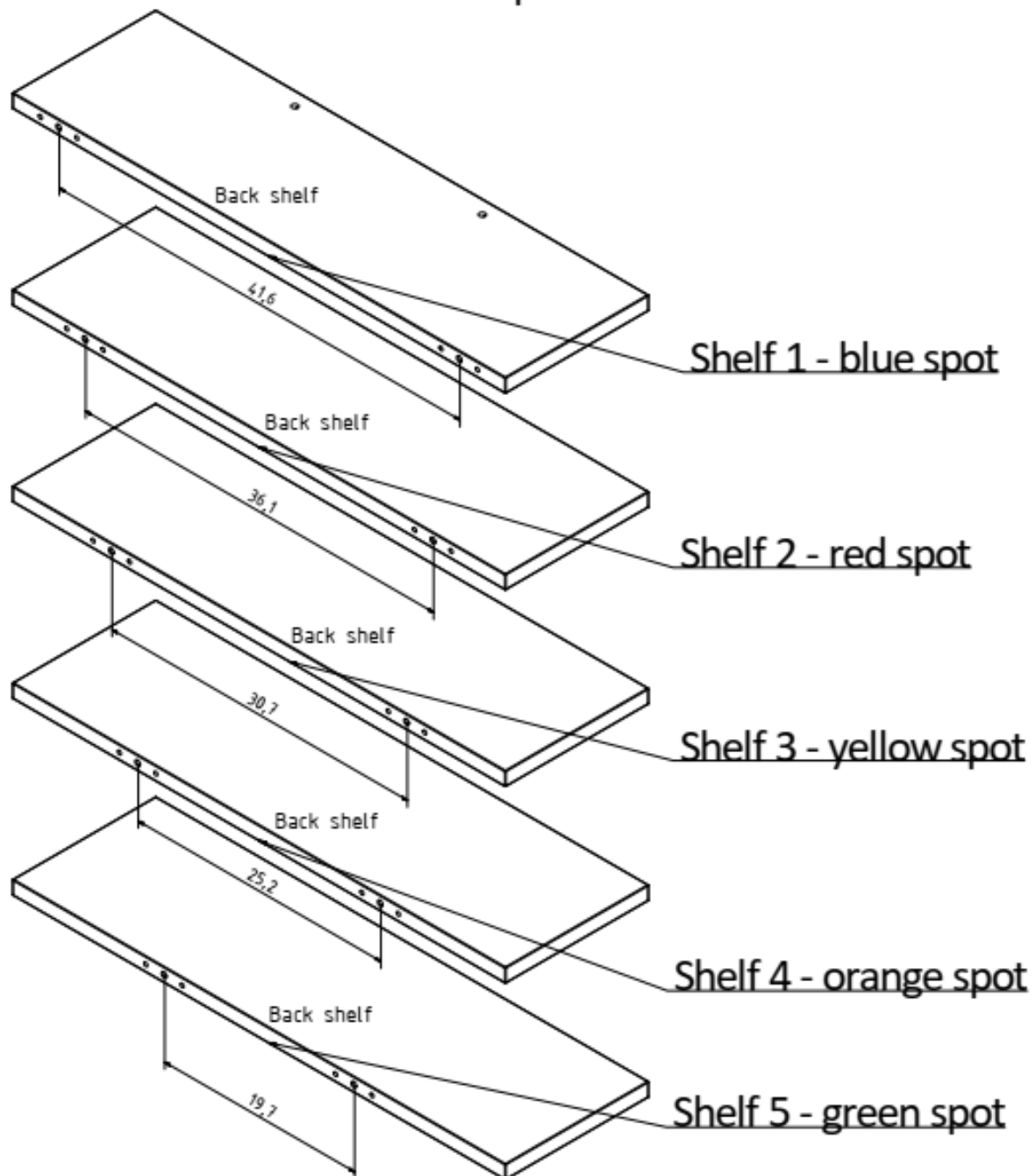
At the top of element , hole for minifix is positioned above the others .



Before assembling the bookcase we must ensure that all "A" (minifix connector) allow the passage metal rod through the side hole. To allow this we have to unscrew if it is screwed

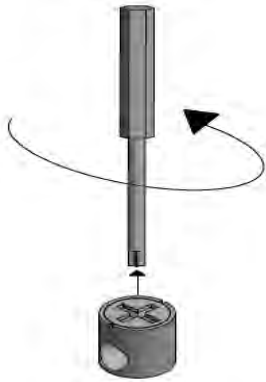
SKU 40MHLVROSBK

On the back edge of each shelf will show coloured spots as follows:

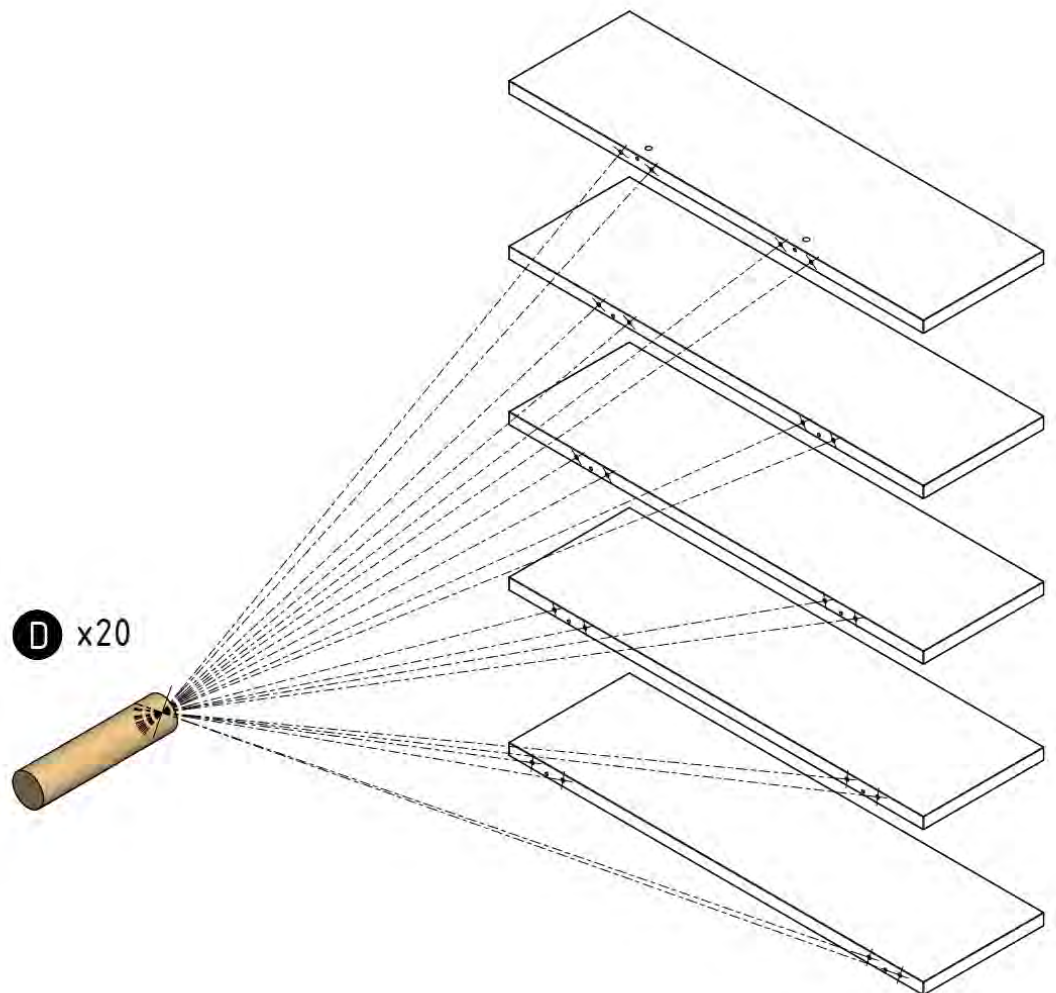


Shelf 1 marked with a blue spot is the shelf that will be positioned at the top. Towards other shelves, this one will have a minifix hole facing up.

SKU 40MHLVROSBK

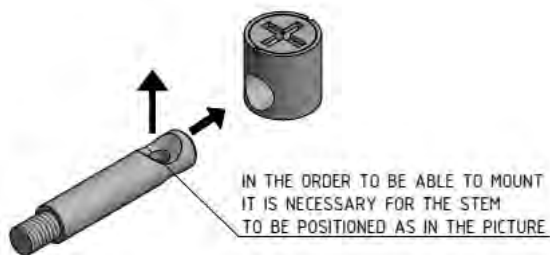
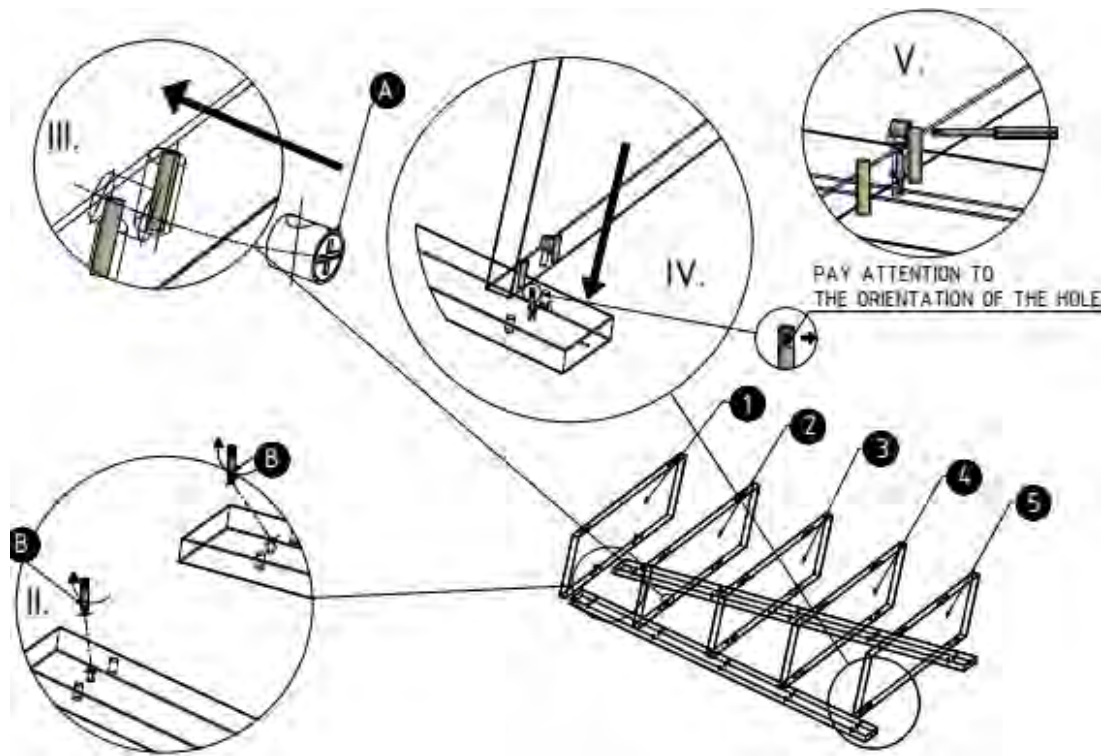


- I. Step one - insert in the front edge of each shelf wood elements "D"



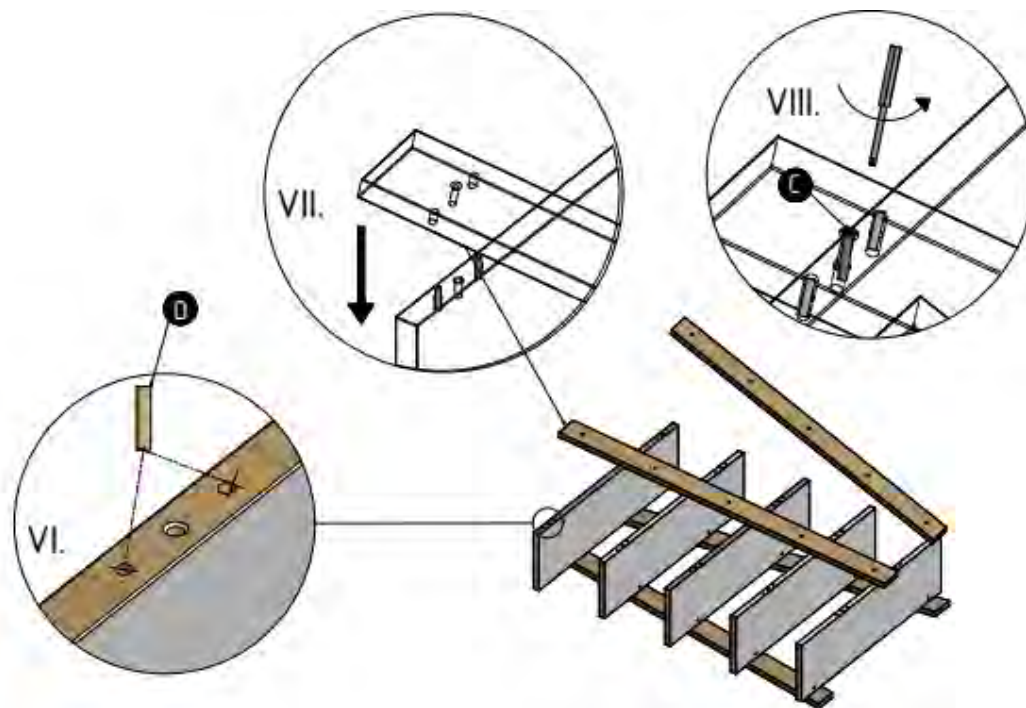
SKU 40MHLVROSBK

- II. Step two - insert "B" in the front legs of the bookcase
- III. Step three - insert connector minifix "A" into the shelves as the position shown in the image below
- IV. Assemble the shelves with the front legs
- V. Use a screwdriver to join shelves and front legs



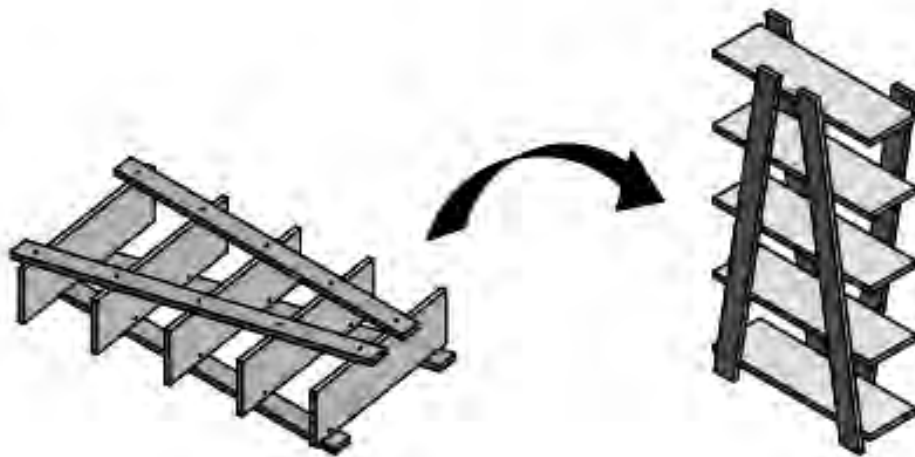
SKU 40MHLVROSBK

- VI. To allow the rear legs of the bookcase to be assembled in the shelves we need to insert wood elements "D"
- VII. We fix the rear legs with the shelves
- VIII. Insert the screw "C" in the hole and use a screwdriver to join the parts

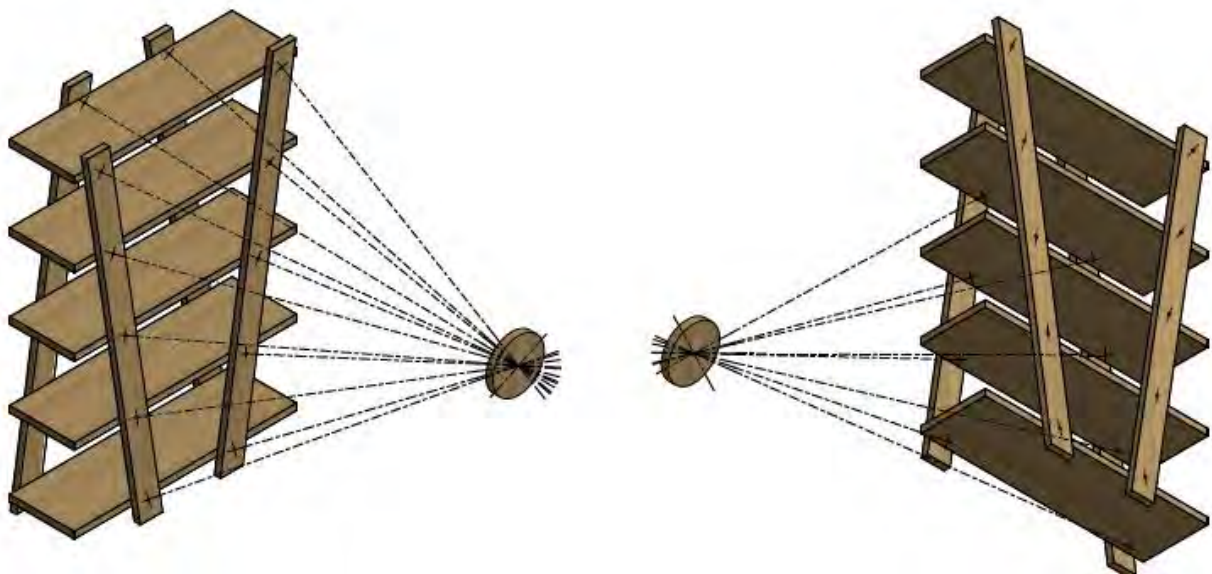


Place the bookcase in a convenient position

SKU 40MHLVROSBK



For masking the screws please glue the masking caps „J” on the screws



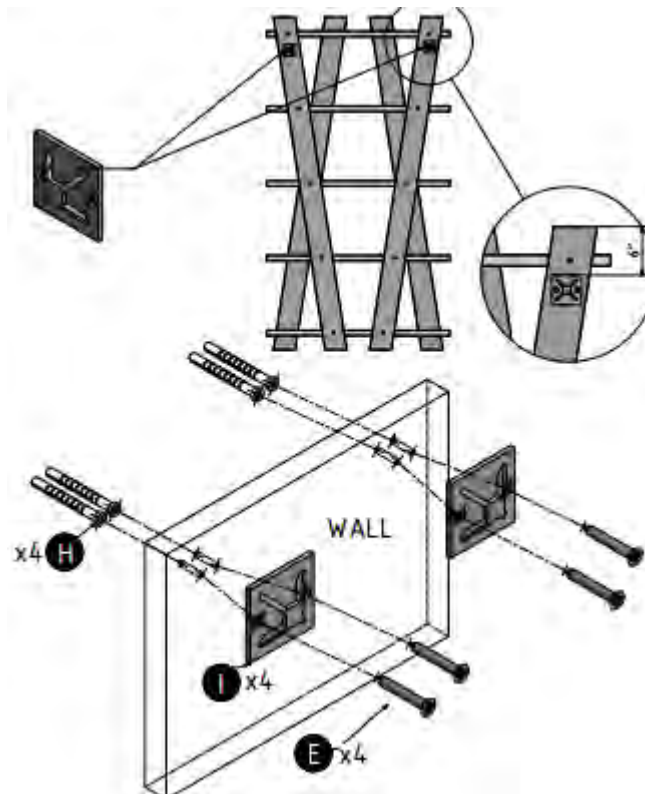
Furniture tipping restraint. Safety mounting assembly.

SKU 40MHLVROSBK

For added safety and stability, it is recommended that the wall mounting hardware be installed. For safe mounting, it is essential to use wall anchors appropriate to your wall type (i.e. Plaster, drywall, concrete, etc.).

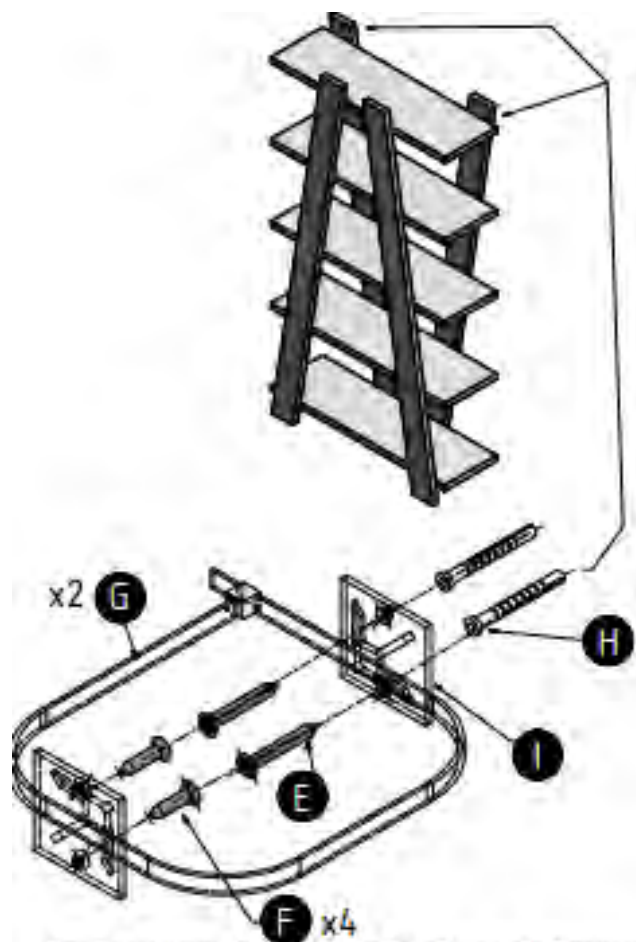
Mount to wood studs whenever possible.

- Attach **2 pc of wall fitting** to furniture as shown, using small screws.
- Determine the final position for the furniture. Mark position on the wall approximately 2" below the bracket mounted to the back of the unit.
- Drill 2 hole in the wall stud. If the wall stud is not available, drill holes in the wall that is slightly smaller in diameter than the anchor. Gently tap the **plastic anchor** until the flange of the anchor is flush with the wall.



- Attach the 2 wall fitting to the wall by inserting the 2 large screws through the wall fitting and into the plastic anchor in the wall
- Place the unit so the wall fitting on the back edge is aligned with the wall fitting on the wall.
- Lace one end of the **wall strap** through both fittings, and into the other end of the strap.
- Pull the strap tightly until secure

SKU 40MHLVROSBK



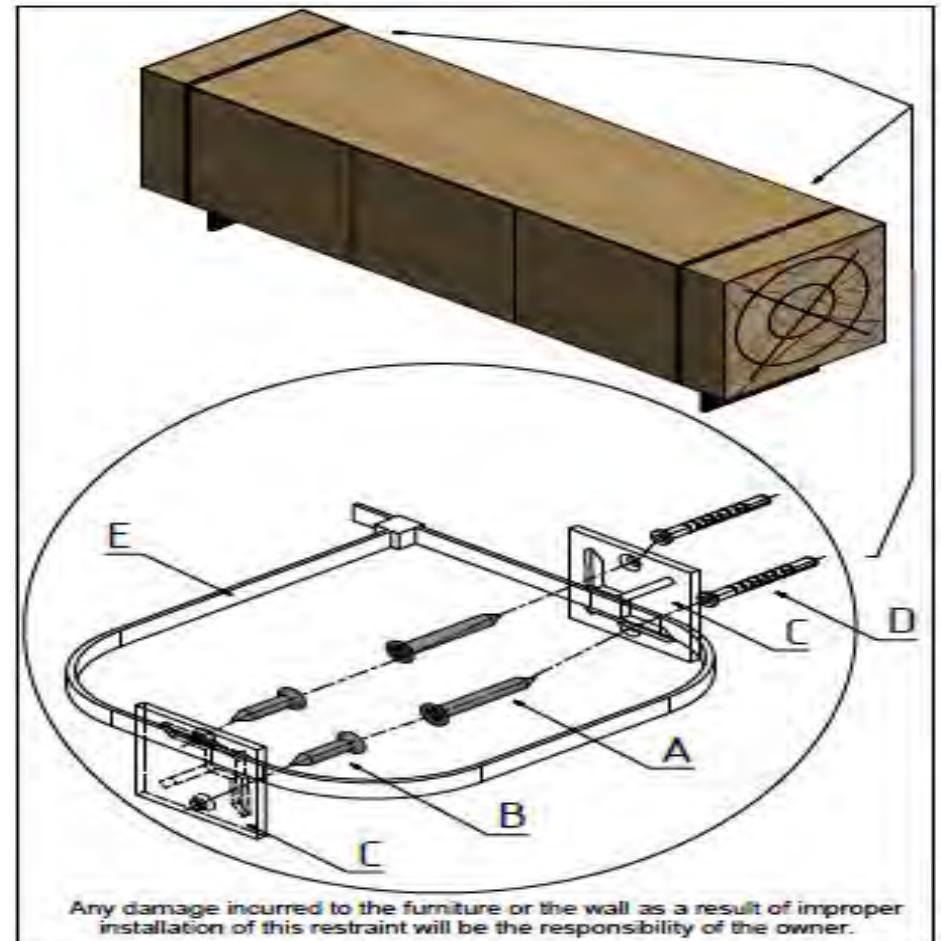
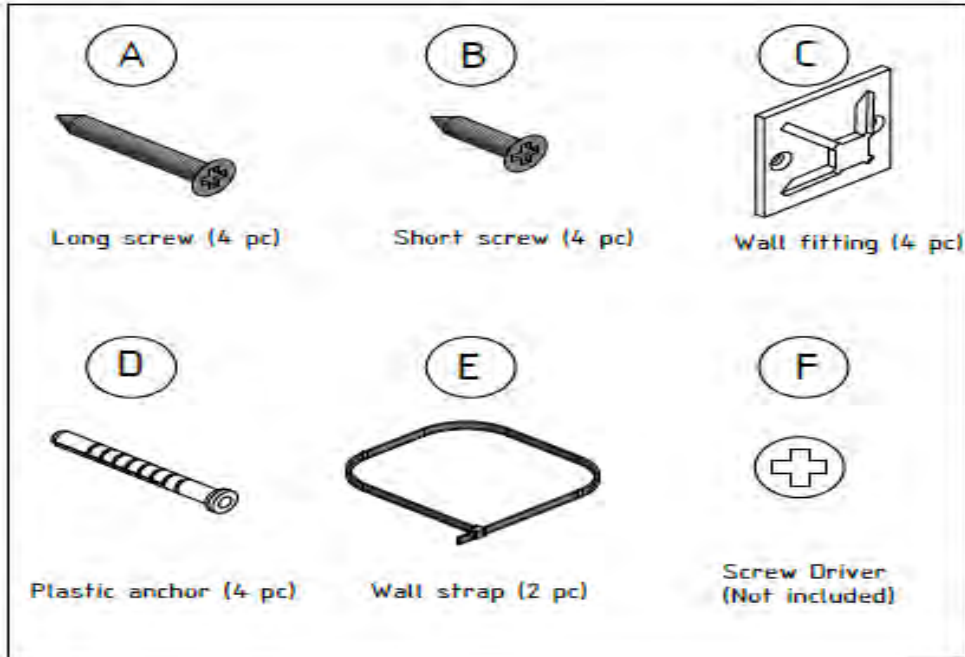
Any damage incurred to the furniture or the wall as a result of improper installation of this restraint will be the responsibility of the owner.

Clean surfaces with a dry or damp soft cloth. Do not use abrasive cleaners. Do not use furniture wax

FURNITURE TIPPING RESTRAINT

Safety Mounting Assembly

Hardware



Installation instructions:

For added safety and stability, it is recommended that the wall mounting hardware be installed. For safe mounting, it is essential to use wall anchors appropriate to your wall type (i.e. Plaster, drywall, concrete, etc.). Mount to wood studs whenever possible.

- Attach **2 pc of wall fitting** to furniture as shown, using small screws.
- Determine the final position for the furniture. Mark position on the wall approximately 2" below the bracket mounted to the back of the unit.
- Drill 2 hole in the wall stud. If the wall stud is not available, drill a hole in the wall that is slightly smaller in diameter than the anchor. Gently tap the **plastic anchor** until the flange of the anchor is flush with the wall.
- Attach the 2 wall fitting to the wall by inserting the 2 large screws through the wall fitting and into the plastic anchor in the wall
- Place the unit so the wall fitting on the back edge is aligned with the wall fitting on the wall.
- Lace one end of the **wall strap** through both fittings, and into the other end of the strap.
- Pull the strap tightly until secure

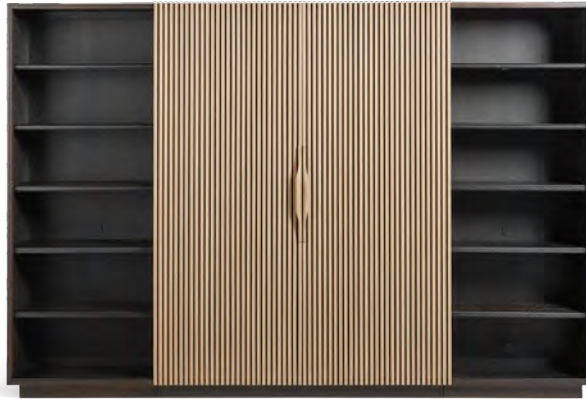
WALL PARTS SKUS

| CATEGORY | SKU | DESCRIPTION | STATUS | COLLECTION | ROUTE |
|----------|--------------|---|--------|------------|-------|
| WALL | 91MIHCOFLEV | MIHAELA COFFEE LEVELER LEVER | A | PT-MIHAELA | PART |
| WALL | 91MIHMEDHDW | MIHAELA MEDIA ASSEMBLY HDW ASSEMBLY HARDWARE | A | PT-MIHAELA | PART |
| WALL | 91MIHMEDLEV | MIHAELA MEDIA LEVELER LEVELER | A | PT-MIHAELA | PART |
| WALL | 91MIHMEDPSH | MIHAELA MEDIA PUSH PUSH SYSTEM | A | PT-MIHAELA | PART |
| WALL | 91MIHMDSHFPG | MIHAELA MEDIA SHELF PEG/SUPPRT QTY 1 SHELF PEG/SUPPORT | A | PT-MIHAELA | PART |

ARHAUS®

your home

newton



Wall Unit

112" w x 17.5" d x 75.5" h

40NEWTONRT

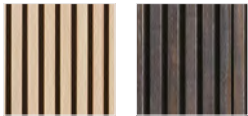
Lungo Oak

Ristretto Teak

40NEWTONOAK

40NEWTONTEAK

Door Finishes:



Lungo Oak

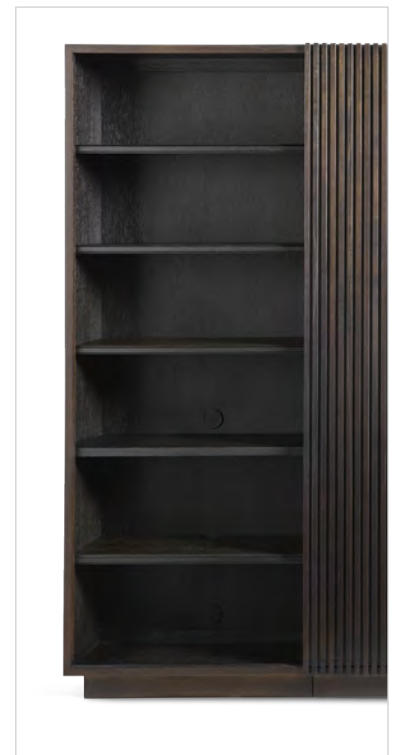
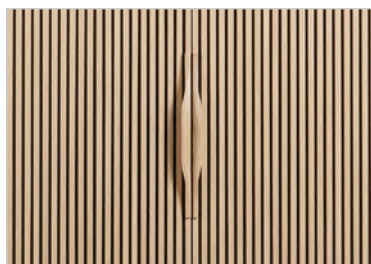
Ristretto Teak

reminiscent of Japanese architecture

the artisan-crafted screen doors of our Newton wall unit feature textural, slatted detailing designed to cleverly conceal while providing a decorative focal accent to your living space. Case frames, constructed by hand with white oak, add richness through a sophisticated, natural finish. And, doors, made from either white oak or teak, feature smooth, hand-carved handles contoured to feel soft and comfortable in your hand—so sliding your cabinet open feels extra satisfying.

product details

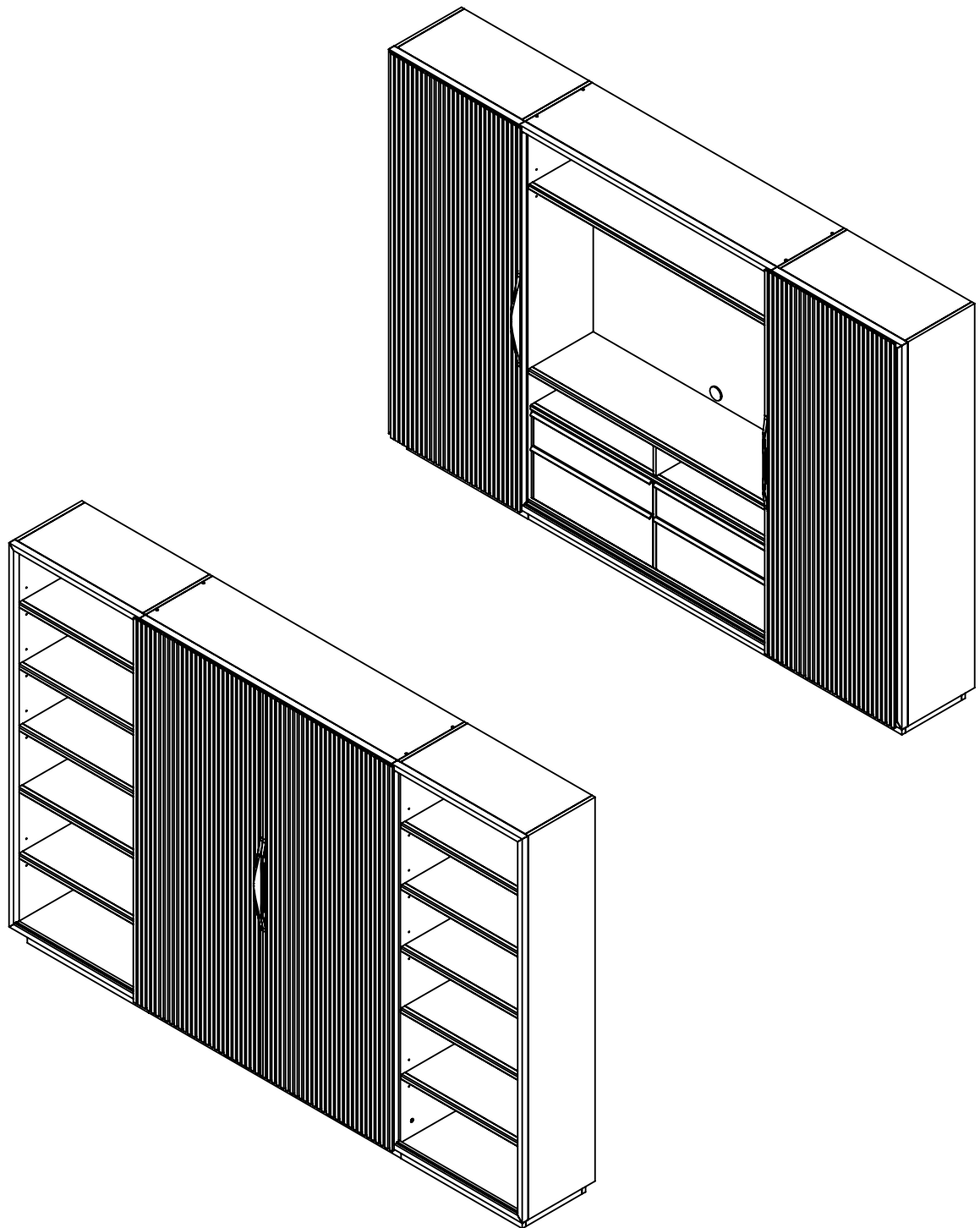
- ▶ Newton cabinets are hand-built from solid white oak and white oak veneers supported by an engineered hardwood substrate.
- ▶ Cabinet interiors and case exteriors are hand-stained with our natural Lungo Oak finish.
- ▶ Cabinet doors finished in Lungo Oak are made from solid white oak, while doors finished in Ristretto Teak are made from solid, non-outdoor teak wood.
- ▶ Sliding doors feature hand-carved handles contoured to feel soft and comfortable to the hand.
- ▶ Finished wood surfaces are coated with clear lacquer for added protection and subtle sheen.
- ▶ Newton cabinets feature adjustable/removable shelving to accommodate any storage needs.
- ▶ Cord management holes accommodate electronics and media equipment.
- ▶ TV cavity measures 45.5" w x 14.37" d x 53.62" h.
- ▶ Keep your furniture looking its best. Visit arhaus.com or speak to any Arhaus Design Consultant for care recommendations.



newton | wall collection | made in Indonesia

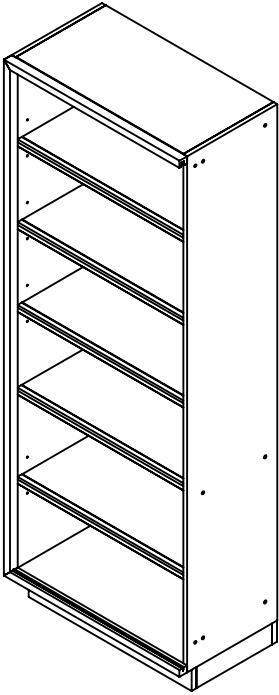
Dimensions may vary slightly. Please ensure furnishings fit through interior structures and into desired space before purchase.

ASSEMBLY INSTRUCTIONS for NEWTON WALL UNIT

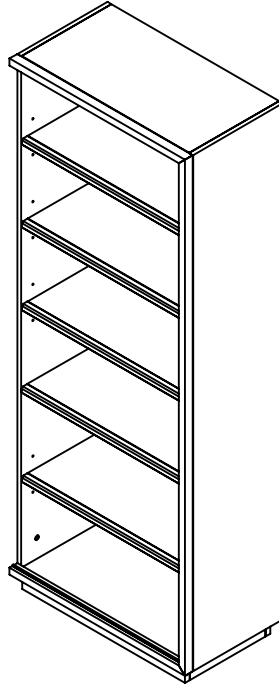


Carefully unpack and familiarize yourself with all units and diagrams to facilitate the assembly of your Newton Wall Unit

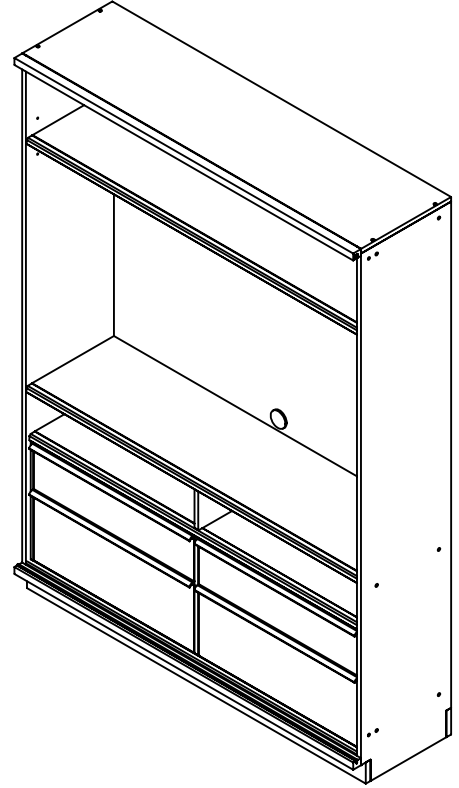
UNIT LIST



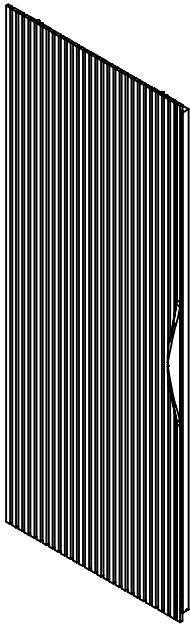
A. WALL UNIT LEFT BOX
40NEWTONLFT



B. WALL UNIT RIGHT BOX
40NEWTONRT

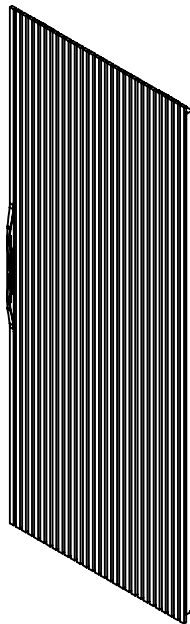


C. WALL UNIT CENTER BOX
40NEWTONCNTR



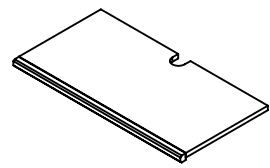
D. WALL UNIT LEFT DOOR

Newton Oak Door - 40NEWTONOADR
Newton Teak Door - 40NEWTONTKDR



E. WALL UNIT RIGHT DOOR

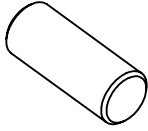
Newton Oak Door - 40NEWTONOADR
Newton Teak Door - 40NEWTONTKDR



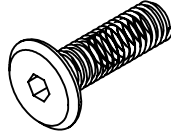
F. SMALL ADJUSTABLE SHELF
(FOR LEFT & RIGHT BOX - 8 Pcs)

Carefully unpack and familiarize yourself with all units and diagrams to facilitate the assembly of your Newton Wall Unit

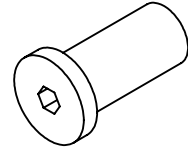
HARDWARE 91NEWCENTHDW



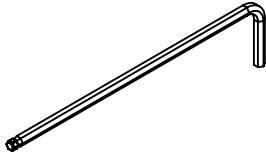
H. Dowel $\varnothing 8 \times 20$
(4 Pcs)



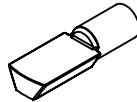
I. JCBC M6 x 20
(12 Pcs)



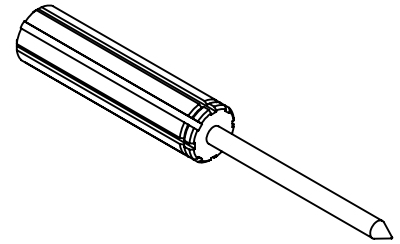
J. Sleeve Nut
(8 pcs)



K. Allen Key
(2 Pcs)



L. Pin Shelf
(36 Pcs)

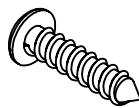


M. Screw Driver
(Not Include)

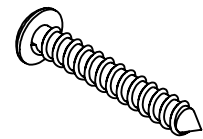
TIPPING RESTRAINT



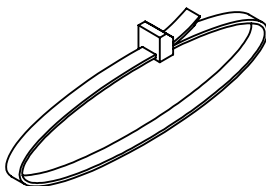
N. Wall Fitting
(6 Pcs)



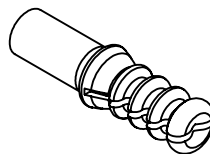
O. Screw $\varnothing 6 \times 5/8"$
(3 Pcs)



P. Screw $\varnothing 8 \times 1 1/2"$
(3 Pcs)



Q. Wall Strap
(3 Pcs)



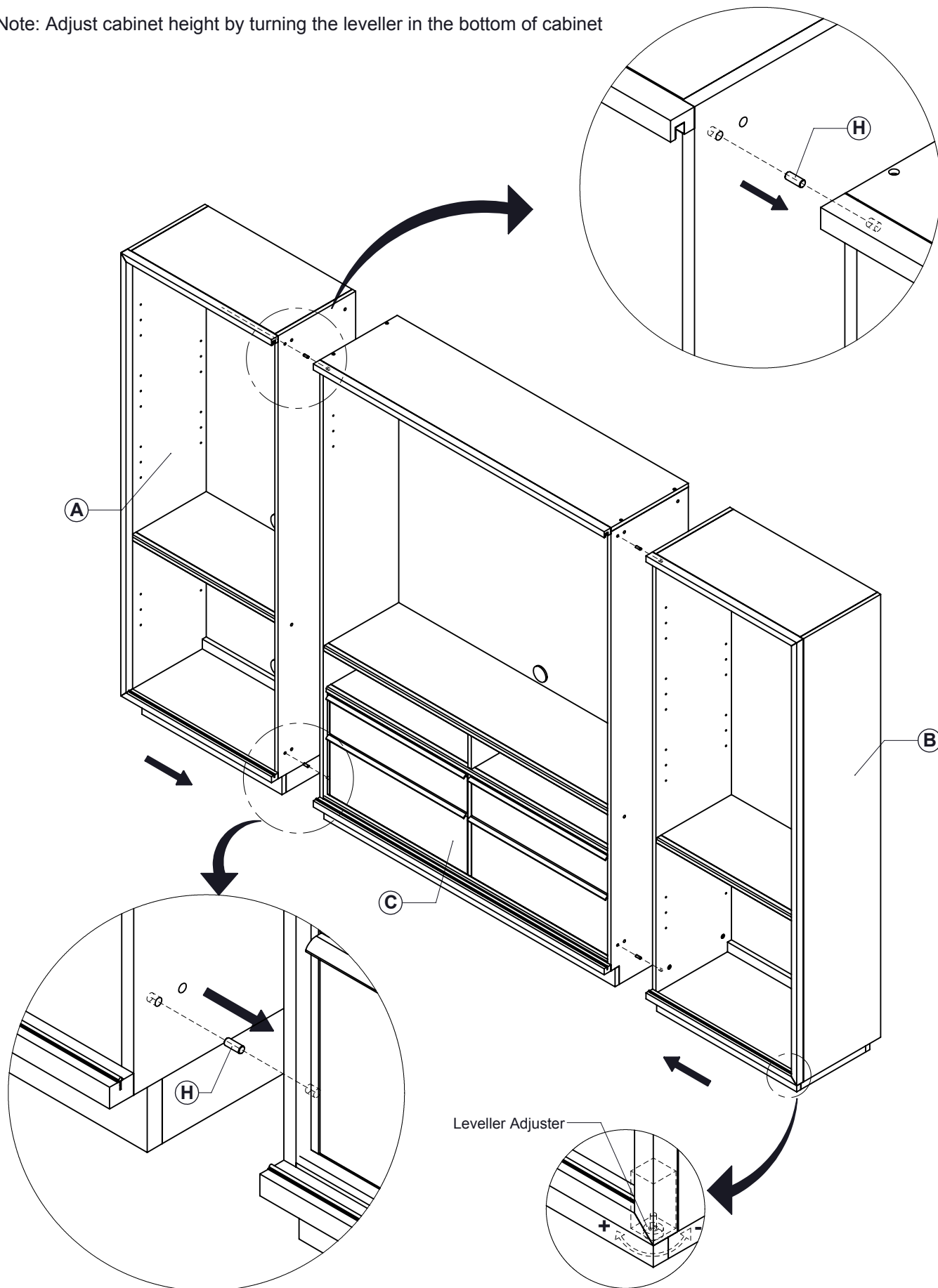
R. Plastic Anchor
(3 Pcs)

HOW TO ASSEMBLE NEWTON WALL UNIT (STEP 1)

THIS STEP REQUIRES :

- A. Wall Unit - Left Box
- B. Wall Unit - Right Box
- C. Wall Unit - Center Box
- H. Dowel $\varnothing 8 \times 20$ (4 Pcs)

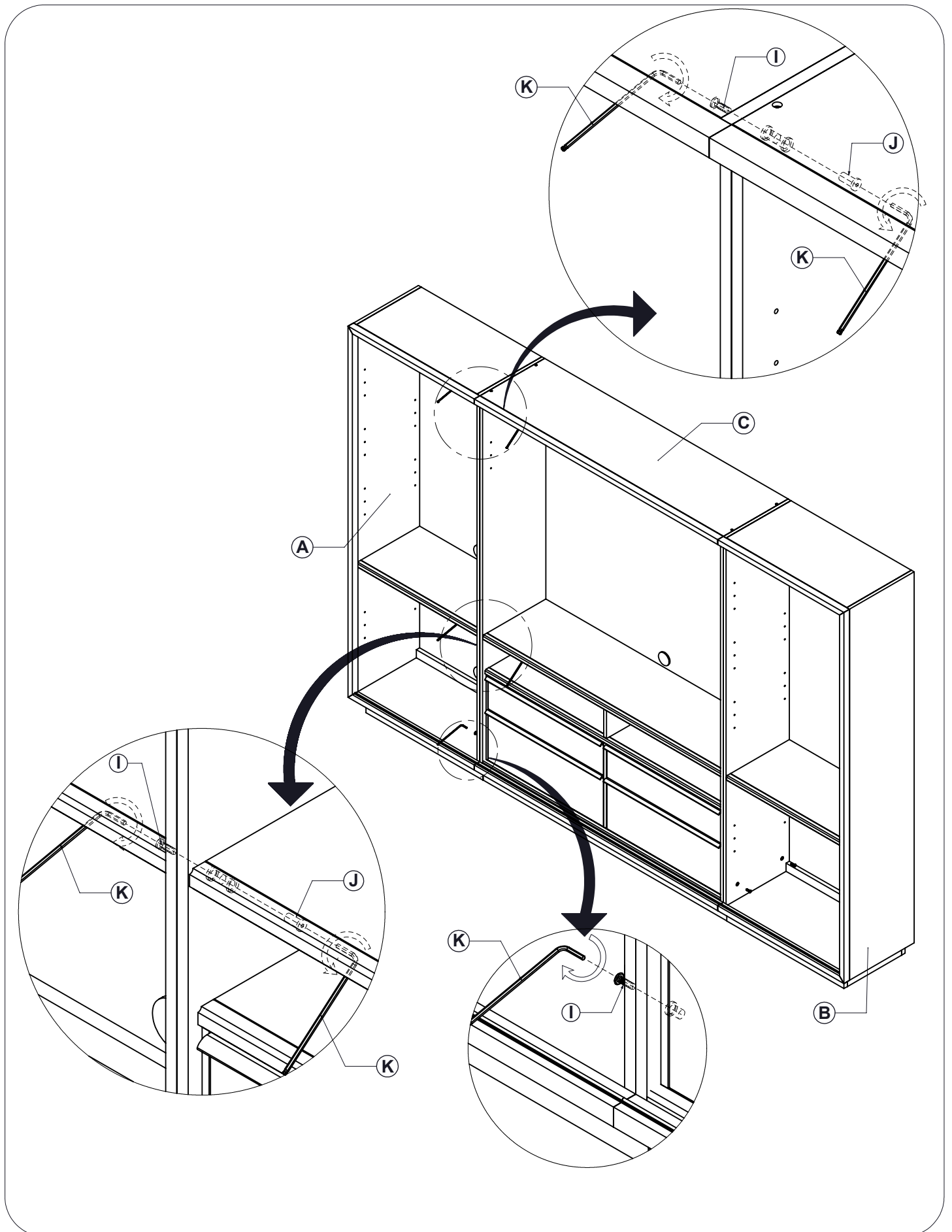
Note: Adjust cabinet height by turning the leveller in the bottom of cabinet



HOW TO ASSEMBLE NEWTON WALL UNIT (STEP 2)

THIS STEP REQUIRES :

- A. Wall Unit - Left Box
- B. Wall Unit - Right Box
- C. Wall Unit - Center Box
- I. JCBC M6 x 20 (12 Pcs)
- J. Sleeve Nut M6 x 19 (8 Pcs)
- K. Allen Key (2 Pcs)

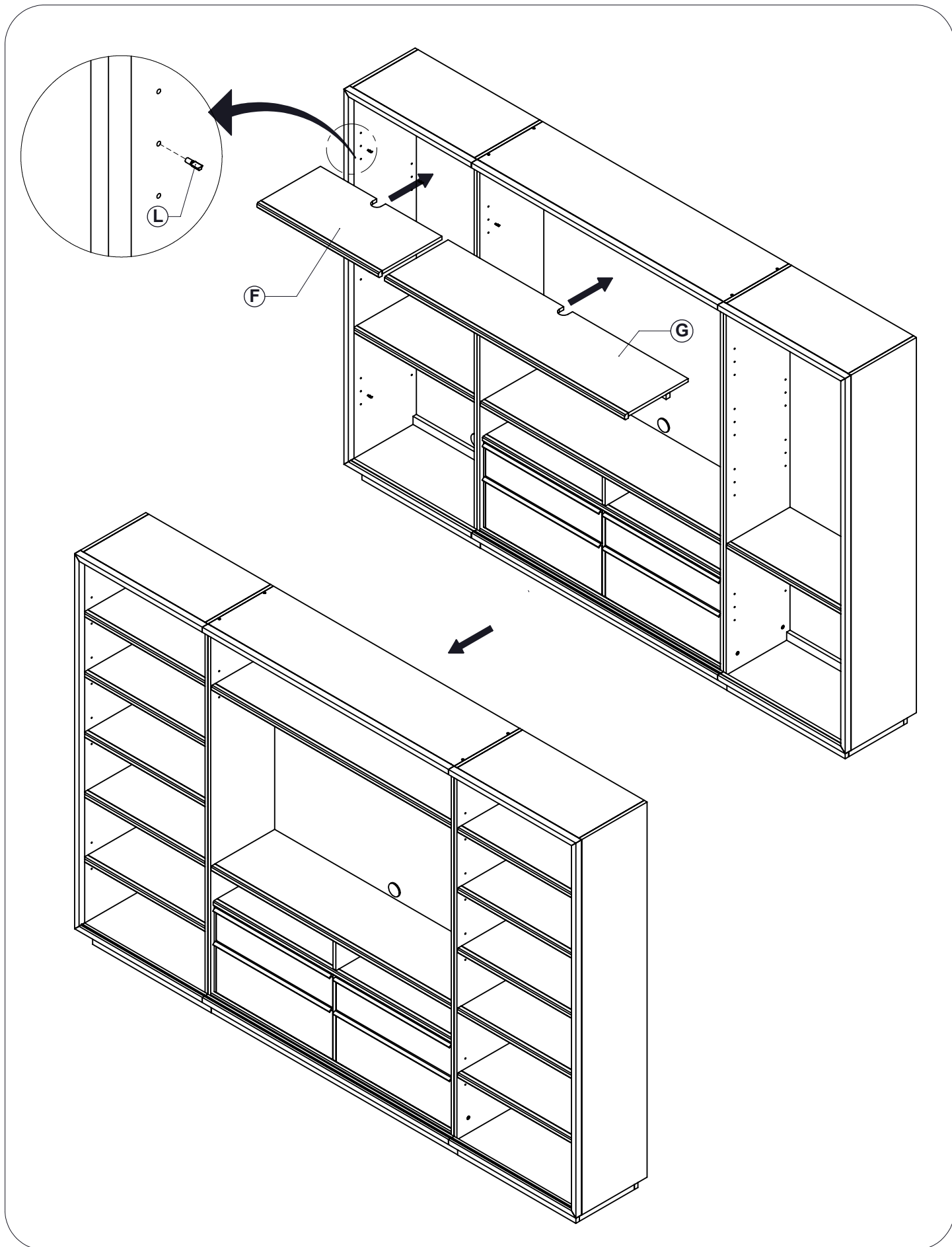


HOW TO ASSEMBLE NEWTON WALL UNIT (STEP 3)

THIS STEP REQUIRES :

- F. Small Adjustable Shelf (8 Pcs)
- G. Large Adjustable Shelf (1 Pcs)

- L. Pin Shelf (36 Pcs)

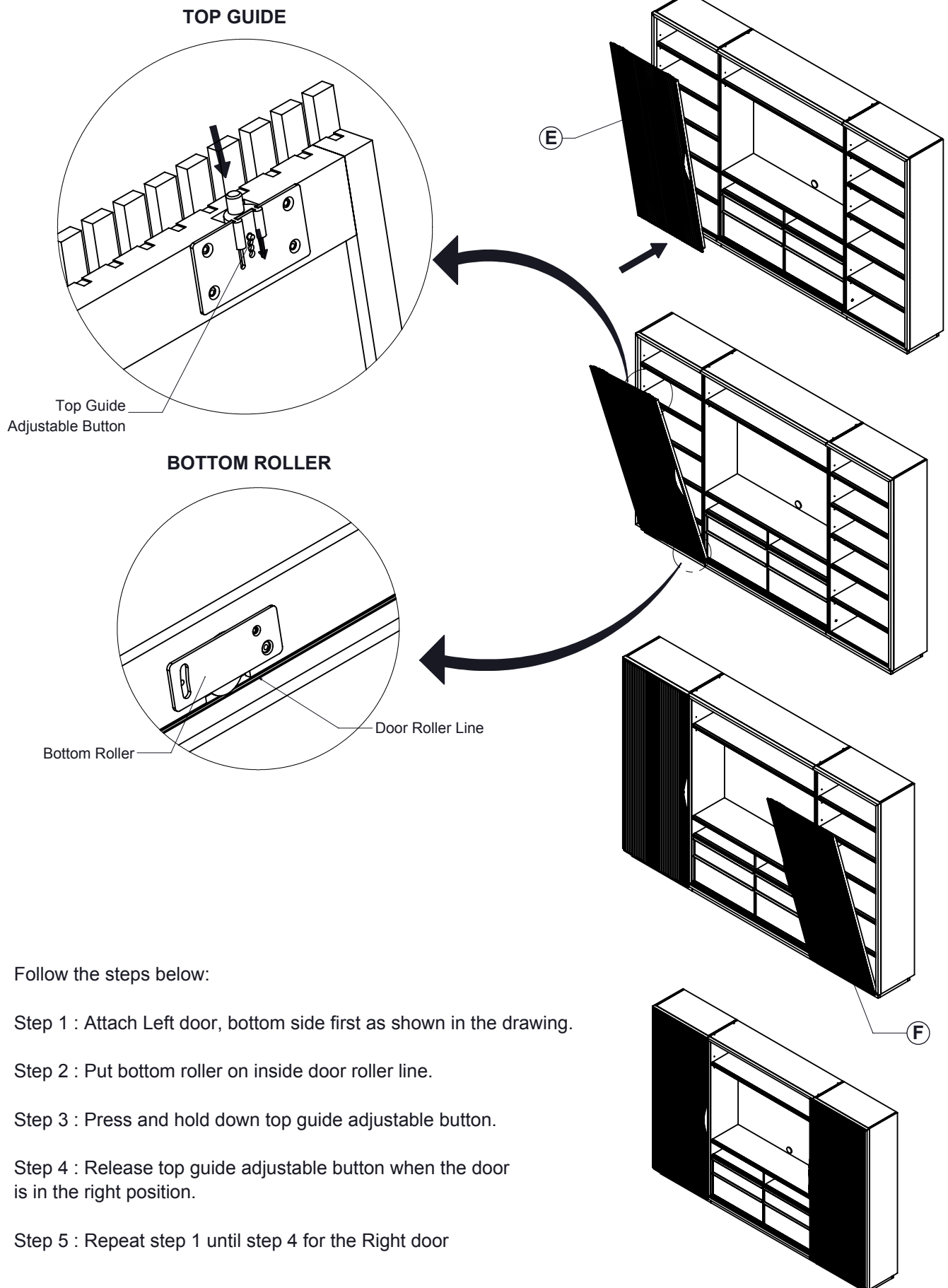


HOW TO ASSEMBLE NEWTON WALL UNIT (STEP 4)

THIS STEP REQUIRES :

- E. Wall Unit - Left Door
- F. Wall Unit - Right Door

- M. Screw Driver (Not Include)



SAFETY MOUNTING ASSEMBLY

THIS STEP REQUIRES :

- M. Screw Driver (NOT INCLUDE)
- N. Wall Fitting
- O. Screw $\phi 6 \times 5/8$ "

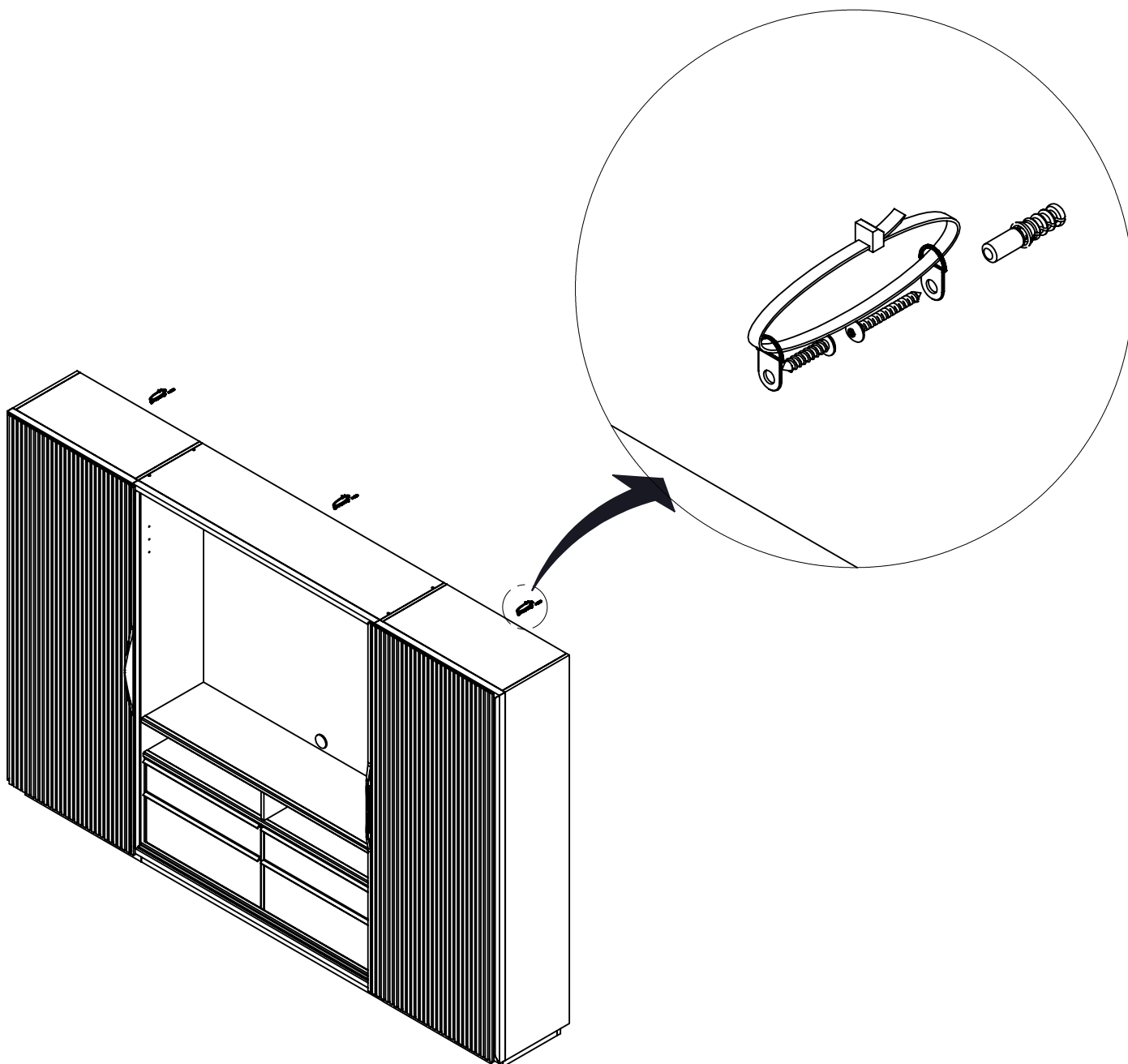
- P. Screw $\phi 8 \times 1 1/2$ "
- Q. Wall Strap
- R. Plastic Anchor

Installation Instructions:

For added safety and stability, it is recommended that the wall mounting hardware be installed.

For safe mounting, it is essential to use wall anchors appropriate to your wall type (i.e. Plaster, drywall, concrete, etc.). Mount to wood studs whenever possible.

- Attach **1 pc of wall fitting** to furniture as shown, using **small screw**.
- Determine the final position for the furniture. Mark position on the wall approximately 2" below the bracket mounted to the back of the unit.
- Drill a hole in the wall stud. If the wall stud is not available, drill a hole in the wall that is slightly smaller in diameter than the anchor. Gently tap the **plastic anchor** until the flange of the anchor is flush with the wall.
- Attach the **wall fitting** to the wall by inserting **large screw** through the wall fitting and into the **plastic anchor** in the wall.
- Place the unit so the wall fitting on the back edge is aligned with the wall fitting on the wall.
- Lace one end of the **wall strap** through both fittings, and into the other end of the strap.
- Pull the strap tightly until secure.



Parts Inventory

| Super Category | Product ID | Description | Stat | Collection | Route |
|----------------|--------------|--|------|------------|-------|
| WALL | 91NEWTONTIP | ALL NEWTON ANTI TIP KIT | A | PT-NEWTON | |
| WALL | 91NEWOAKGLD1 | NEWTON OAK DOOR GLIDE PART 1 OF 2 | A | PT-NEWTON | |
| WALL | 91NEWOAKGLD2 | NEWTON OAK DOOR GLIDE PART 2 OF 2 | A | PT-NEWTON | |
| WALL | 91NEWTKGLD1 | NEWTON TEAK DOOR GLIDE PART 1 OF 2 | A | PT-NEWTON | |
| WALL | 91NEWTKGLD2 | NEWTON TEAK DOOR GLIDE PART 2 OF 2 | A | PT-NEWTON | |
| WALL | 91NEWCENTGLD | NEWTON WALL CENTER DRAWER GLIDES | A | PT-NEWTON | |
| WALL | 91NEWCENTHDW | NEWTON WALL CENTER ASSEMBLY HARDWARE | A | PT-NEWTON | |
| WALL | 91NEWCENTLEV | NEWTON WALL CENTER LEVELER | A | PT-NEWTON | |
| WALL | 91NEWCENTPEG | NEWTON WALL CENTER SUPPORT PEGS/SLATS | A | PT-NEWTON | |
| WALL | 91NEWLTLEV | NEWTON WALL LEFT LEVELER | A | PT-NEWTON | |
| WALL | 91NEWLTPEG | NEWTON WALL LEFT SUPPORT PEGS/SLATS | A | PT-NEWTON | |
| WALL | 91NEWRTLEV | NEWTON WALL RIGHT LEVELER | A | PT-NEWTON | |
| WALL | 91NEWRTPEG | NEWTON WALL RIGHT SUPPORT PEGS/SLATS | A | PT-NEWTON | |

DISCONTINUED

ARHAUS®

your home

nyles



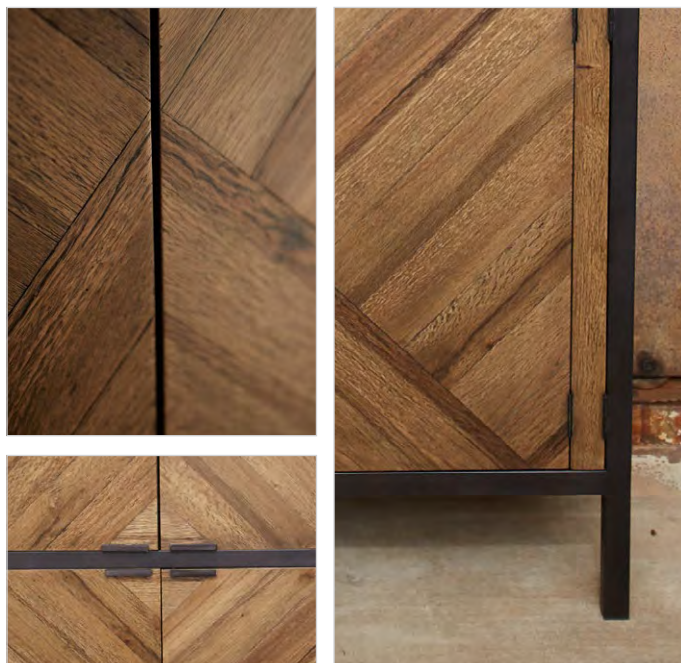
Cabinet
52" w x 20" d x 72" h
40NYLESCAB

unexpected aesthetics

Handcrafted by flooring artisans, our stunning Nyles cabinet marries Mexican woodworking tradition with the aesthetics of century-old parquetry. Each cabinet is hand-built from solid oak complemented by oak veneers and a steel frame. Wooden surfaces are finished by hand with a light stain to even out the oak's color and accentuate its natural textures and graining. Bi-fold doors and removable shelves provide storage versatility that fits any space.

product details

- ▶ Cabinets are craftsman-built by Mexican artisans from solid oak and oak veneers complemented by tubular steel framing.
- ▶ Wood surfaces are hand-finished to enhance the oak's natural features. A light, evenly applied stain evens color.
- ▶ Finished surfaces are coated with a clear lacquer for added protection and a subtle sheen.
- ▶ Bi-fold doors wrap around cabinets, providing easy, wide-open access.
- ▶ Cabinets feature removable shelves to accommodate all storage and display needs.
- ▶ Cord management holes accommodate electronics, keeping cords neat and out of sight.
- ▶ Levelers under cabinet bases provide stability and allow for easy adjustments.
- ▶ This collection is artisan-crafted from natural materials with hand-applied finishes. Individual pieces may vary in color, pattern, shape, and texture, making each truly unique.
- ▶ Natural wood may display small splits, knots, joint lines, or other organic features that will not affect the quality or performance of your piece.
- ▶ Furniture made from natural wood may move slightly due to temperature and humidity. This is normal and should be expected from season to season.
- ▶ Keep your furniture looking its best. Visit arhaus.com or speak to any Arhaus Design Consultant for care recommendations.



nyles | wall collection | made in Mexico

Dimensions may vary slightly. Please ensure furnishings fit through interior structures and into desired space before purchase.