

ARHAUS®

WALL

PRODUCT HANDOUTS  

---

ASSEMBLY GUIDES

SEPTEMBER 2022

# INDEX

---

## A

A-Frame Handout 3  
A-Frame Parts 4  
Arcade Handout 5  
Argent Handout 6  
Argent Parts 7  
Athens Handout 8 - 13  
Athens Assembly 14 - 118  
[Athens Angled Bookcase Assembly Video](#)  
[Athens Library Assembly Video](#)  
[Athens Modular Media Assembly Video](#)  
Athens Parts 119 - 123

## B

Baumann Handout 124  
Baumann Assembly 125 - 135  
[Baumann Assembly Video](#)  
Baumann Parts 134  
Beckett Handout (DISC) 135  
Beckett Parts (DISC) 136  
Bodhi Handout 137 - 139  
Brock Handout 140 - 141

## C

Cahlo Handout 142  
Cahlo Parts 143  
Chorus Theory Handout 144  
Chorus Theory Console Assembly 145 - 147  
Chorus Theory Parts 148  
Corey Burl Handout 149  
Curiosity Handout 150 - 151  
Curiosity Assembly 152  
Curiosity Parts 153

## D

Divya Handout 154  
Divya Assembly 155 - 158  
Divya Parts 159

## E

Euclid Handout 160

## F

Factory Handout 161 - 163  
Factory Assembly 164 - 170  
Factory Parts 171  
Finnley Handout 172 - 173  
Finnley Parts 174

## G

Geometric Handout 175  
Geometric Parts 176  
Giada Handout 177 - 179  
Giada Assembly 180

## H

Hattie Handout 181 - 183  
Hattie Assembly 184

## L

Leandro Handout 185 - 186

## M

Madison Handout 187  
Madison Assembly 188 - 191  
Madison Parts 192  
[Madison Assembly Video](#)  
Malone Handout 193 - 196  
Malone Assembly 197 - 204  
Malone Parts 205  
Mandara Handout 206  
Mandara Hinge Assembly 207  
Mandara Parts 208  
Mihaela Handout 209  
Mihaela Assembly 210 - 226  
Mihaela Parts 227

## N

Newton Handout 228  
Newton Assembly 229 - 236  
Newton Parts 237  
Nyles Handout (DISC) 238

## P

Palmer Handout 239  
Palmer Assembly 240  
Palmer Parts 241  
Panta 242  
Pearson 243 - 245

## R

Raeburn Handout 246  
Reed Handout 247  
Reed Assembly 248 - 259  
Reese Handout 260  
Reese Assembly 261 - 264  
Reese Parts 265  
Reye Handout 266  
Reynolds Handout 267  
Reynolds Parts 268  
Rowan Handout 269 - 271  
Rowan Assembly 272 - 279  
[Rowan Modular Single Wall Assembly Video](#)  
[Rowan Modular Triple Wall Assembly Video](#)  
[Rowan Modular Media Assembly Video](#)  
Rowan Parts 280

## S

Sofia Handout 281 - 283  
Spencer Handout 284  
Spencer Assembly 285 - 286  
Spencer Parts 287  
Sullivan Handout 288  
Sullivan Assembly 289 - 292  
[Sullivan Assembly Video](#)  
Sullivan Parts 293  
Sycamore Handout 294  
Sycamore Assembly 295 - 301  
Sycamore Parts 302

## T

Taja Belle Handout 303  
Taja Belle Assembly 304  
Taja Belle Parts 305  
Telluride Handout 306  
Torre Handout 307 - 308  
Torre Assembly 309  
Torre Parts 310  
Tremont Handout 311 - 315  
Tremont Assembly 316 - 330  
Tremont Parts 331

## V

Vittoria Handout 332 - 334  
Vittoria Parts 335

## W

Watson Handout 336  
Watson Parts 337  
Whitman Handout 338 - 339

## X

Xander Handout 340  
Xander Parts 341

*Anti Tip-Kit Installation 342*  
*Door Adjustment 343*

# ARHAUS®

your home

## a-frame tv console



### A-Frame TV Console

70" w x 18" d x 28.5" h

Barnwood Black 40AF70TVBLKT2

Grantham Grey 40AF70TVGGKT

## chic design with modern living in mind.

A thoroughly contemporary media unit, our A-Frame TV Console's trestle design easily complements a variety of settings from urban lofts to rustic living rooms. Enduring bluestone is cut from the mountains of Northern China and sculpted by hand before being inset into the top of this chic piece. The A-frame cabinet is expertly crafted from naturally beautiful pine from Finland, that our craftsmen have sanded and hand-painted before careful distressing to create a weathered appearance. This finish is then waxed and lacquered for added protection. The base features three sliding doors concealing spacious storage and cord management holes to accommodate all electronics.

### product details

- ▶ Console base is handcrafted from Finnish pine.
- ▶ Wooden surfaces are bleached for an even tone, then sanded, hand-painted, lacquered and distressed.
- ▶ Finished wood is sealed with wax for added protection.
- ▶ Cabinets feature sliding doors and cord management holes, which conveniently accommodate electronics and media equipment.
- ▶ Bluestone tops are hand-cut and finished with a clear wax topcoat.
- ▶ Natural bluestone is selected for its beauty, strength, and durability.
- ▶ Due to their hand-applied finishing, color and texture may vary from piece to piece, in both bluestone and wood surfaces, making each piece unique.
- ▶ Natural wood will display movement from season to season due to changes in temperature and humidity.
- ▶ Some small splits, knots, joint lines, and other natural properties may occur, adding character to each piece without affecting performance.



# WALL PARTS SKUS

Super Category	Product ID	Description	Collection	Route
WALL	91AFRMASHDW	A-FRAME ASSEMBLY HARDWARE	PT-AFRAME	PART
WALL	91769AFROLL	A-FRAME TV DOOR ROLLER (SET)	PT-AFRAME	PART
WALL	91769AFHAND	A-FRAME TV HANDLE (1)	PT-AFRAME	PART





BOOKCASE

38" w x 19.75" d x 80" h  
30ARCD38BCK

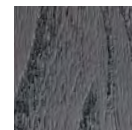
## STORAGE WITH A SOPHISTICATED TOUCH

Dramatic arches paired with sleek open shelving make our Arcade Bookcase a piece to admire in any living space. Store décor pieces, mementos, books, and so much more with three oversized interior shelves surrounded with sturdy bold framing. Handcrafted by Indonesian artisans, Arcade is expertly constructed from sustainably grown sungkai wood and sungkai veneers for a smooth, uniform surface hand-finished in a rich ebony hue. Simple hand-carved mouldings on the arched details add sophisticated style to each piece and complement the sungkai wood's natural beauty.

### PRODUCT DETAILS

- + This artisan-crafted collection is built in Indonesia from solid, locally grown, sustainably harvested sungkai wood and sungkai veneers.
- + Frames are supported by mortise-and-tenon joinery and corner-block reinforcements for exceptional stability.
- + Each piece is hand-sanded, hand-finished in a rich ebony hue; then brushed with lacquer for added protection and subtle sheen.
- + Sturdy fixed shelving provides ample space to display décor and books.
- + Space between shelves measures 38" w x 19.75" d x 24" h.
- + Keep your furniture looking its best. Visit [arhaus.com](http://arhaus.com) or speak to any Arhaus Design Consultant for care recommendations.

### FINISH:



Ebony

### NEED HELP?

Visit a store, call **866.427.4287**, or **live chat** with our Design Team to learn more.

# ARHAUS®

your home

## argent



### Media Cabinet

75" w x 18" d x 34" h

Bronzed Ash 40ARGEMDBR  
Stone On Ash 40ARGEMDGR

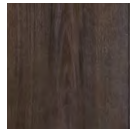


### Tall Cabinet

50" w x 18" d x 77" h

Bronzed Ash 40ARGETCBBR  
Stone On Ash 40ARGETCBGR

### Finishes:



Bronzed Ash






Stone On Ash

## redefining décor classics

Clean, simple, and versatile, our Argent cabinet collection is thoughtfully designed to be the foundation of your décor. Featuring, simple hand-sculpted moulding and paned glass doors, these cabinets are judiciously detailed to easily complement a wide range of aesthetics. Cabinet frames are built from solid ash wood, using mortise-and-tenon joinery to ensure lasting strength and stability. And, multilayered finishes are hand-applied to ash-veneer surfaces, creating a rustic, distressed appearance that accentuates the ash wood's natural features, adding depth of detail and texture to your space.

### product details

-  Cabinets are craftsman-built from solid ash wood and surfaced with ash veneers for a consistent surface.
-  Frames are built using mortise-and-tenon joinery to ensure superior strength and stability.
-  Multilayered finishes are applied by hand. Wood surfaces are sanded, stained, sealed, and glazed to create a rustic appearance.
  - ▶ Media Cabinets feature four adjustable/removable shelves (two on each side).
  - ▶ Tall Cabinets feature four adjustable/removable shelves.
  - ▶ Cabinets feature cord management holes to accommodate media equipment and other electronics.
  - ▶ Due to the nature of materials used and hand-applied finishes, color, pattern, and texture may vary, making each piece unique.
  - ▶ Wood furnishings may also display small splits, knots, joint lines, or other natural features. These markings are normal and will not affect the performance of your piece.
  - ▶ Due to changes in temperature or humidity, wood furnishings may display slight movement from season to season.
  - ▶ Regular maintenance of wood furnishings is required. For additional information, please visit [arhaus.com](http://arhaus.com)



# WALL PARTS SKUS

Super Category	Product ID	Description	Collection	Route
WALL	91ARGTCABHNG	ARGENT TALL CABINET HINGE	PT-ARGENT	PART

# ARHAUS®

your home

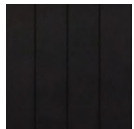
## athens modular



### Large Library

108.87" w x 38.75" d x 94.5" h  
Tuxedo Black 40ATHLBAEBLKT2  
Nimbus 40ATHLBAENMKT2  
Stratus 40ATHLBAESTKT2

#### Finishes:



Tuxedo  
Black



Nimbus



Stratus

### your style your way

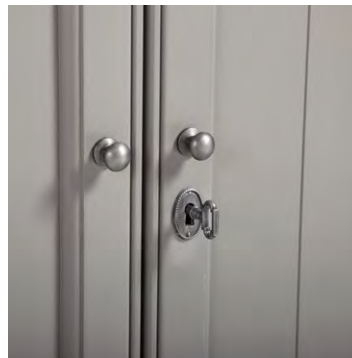
Craft a custom modular configuration that tells your style story.  
Ask in store or call 866.427.4287

## defining neoclassical details and handcrafted finishes

With its vintage silhouettes and artisan-applied finishes, our Athens Modular Wall Collection will infuse your space with neoclassical ambiance and the sophisticated charm of an old English library. Over twenty pieces, including cabinets, bookcases, a bar, and an authentic, sliding library ladder, provide incomparable style with hand-carved trim and solid wood panels. Each of these room-defining displays and storage pieces is perfectly constructed to create the illusion of custom-made, built-in millwork complemented by contemporary functionality to accommodate your every need.

### product details

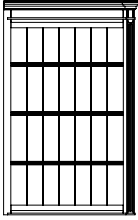
- ▶ Finishes are applied by skilled artisans who paint, stain, and distress each surface by hand.
- ▶ Finishes are coated in a soft lacquer for added protection.
- ▶ Tuxedo Black cabinets are handcrafted using solid mahogany and veneers.
- ▶ Nimbus and Stratus cabinets are handcrafted using solid yellow poplar and veneers.
- ▶ Cabinetry is accented with moulding, beadboards, recessed panels, and brass hardware.
- ▶ Solid brass hardware features an antiqued finish.
- ▶ Keep your furniture looking its best. Visit [arhaus.com](http://arhaus.com) or speak to any Arhaus Design Consultant for care recommendations.



# ARHAUS®

your home

## standard components



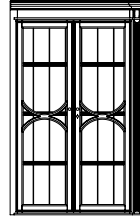
### Bookcase Top

37.31" w x 17" d x 63" h

Tuxedo Black 40ATHBKTPBL2  
 Nimbus 40ATHBKTPNM2  
 Stratus 40ATHBKTPST2

### bookcase top

- ▶ Features a 33" w x 13.5" d x 55" h cavity.
- ▶ Features three adjustable/removable shelves.
- ▶ Can be combined to form double, triple, etc. configurations.
- ▶ Each will add 37.31" width to configuration.
- ▶ End Panels or Angled Bookcases needed unless next to another standard component.



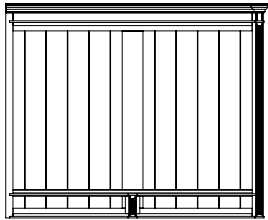
### Display Cabinet Top

37.31" w x 17" d x 63" h

Tuxedo Black 40ATHDCTPBL2  
 Nimbus 40ATHDCTPNM2  
 Stratus 40ATHDCTPST2

### display cabinet top

- ▶ Features a 33" w x 13" d x 55" h cavity.
- ▶ Glass doors feature decorative moulding.
- ▶ Features three adjustable/removable shelves.
- ▶ Can be combined to form double, triple, etc. configurations.
- ▶ Each will add 37.31" width to configuration.
- ▶ End Panels or Angled Bookcases needed unless next to another standard component.



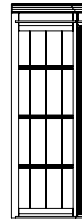
### Media Cabinet Top

74.62" w x 17" d x 63" h

Tuxedo Black 40ATHVTPBL2  
 Nimbus 40ATHVTPNM2  
 Stratus 40ATHVTPST2

### media cabinet top

- ▶ Features a 70" w x 13.5" d x 48" h cavity; component cavity is 33" w x 5" h.
- ▶ Cord management holes accommodate media components.
- ▶ Will add 74.69" width to configuration.
- ▶ End Panels or Angled Bookcases needed unless next to another standard component.
- ▶ *On the Build Your Own Configuration worksheet, use 2 spaces.*



### Narrow Bookcase Top

20.31" w x 17" d x 63" h

Tuxedo Black 40ATHNWTPBL2  
 Nimbus 40ATHNWTPNM2  
 Stratus 40ATHNWTPST2

### narrow bookcase top

- ▶ Features three adjustable/removable shelves.
- ▶ Can be combined to form double, triple, etc. configurations.
- ▶ Each will add 20.31" width to configuration.
- ▶ End Panels or Angled Bookcases needed unless next to another standard component.



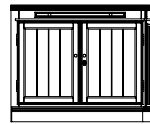
### Narrow Bookcase Base

20.31" w x 16.75" d x 31.5" h

Tuxedo Black 40ATHNWBSBL2  
 Nimbus 40ATHNWBSNM2  
 Stratus 40ATHNWBSST2

### narrow bookcase base

- ▶ Features an adjustable/removable shelf and cord management holes.
- ▶ Can be combined to form double, triple, etc. configurations.
- ▶ Each will add 20.31" width to configuration.
- ▶ End Panels or Angled Bookcases needed unless next to another standard component.



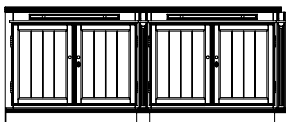
### Single Cabinet Base

37.31" w x 16.75" d x 31.5" h

Tuxedo Black 40ATHSBSBL2  
 Nimbus 40ATHSBSNM2  
 Stratus 40ATHSBSST2

### single cabinet base

- ▶ Features an adjustable/removable shelf and cord management holes.
- ▶ Pull-out tray provides an extra work surface.
- ▶ Can be combined to form double, triple, etc. configurations.
- ▶ Each will add 37.31" width to configuration.
- ▶ End Panels or Angled Bookcases needed unless next to another standard component.



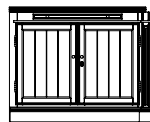
### Double Cabinet Base

74.62" w x 16.75" d x 31.5" h

Tuxedo Black 40ATHDBBSBL2  
 Nimbus 40ATHDBBSNM2  
 Stratus 40ATHDBBSST2

### double cabinet base

- ▶ Features two adjustable/removable shelves and cord management holes.
- ▶ Pull-out trays provide extra work surfaces.
- ▶ Will add 74.69" width to configuration.
- ▶ Use in place of two single bases.
- ▶ *On the Build Your Own Configuration worksheet, use 2 spaces.*



### File Base

37.31" w x 16.75" d x 31.5" h

Tuxedo Black 40ATHFILBL2  
 Nimbus 40ATHFILNM2  
 Stratus 40ATHFILST2

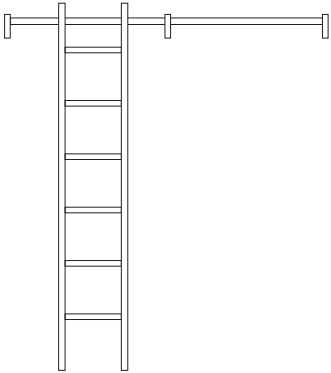
### file base

- ▶ Features an adjustable/removable shelf and cord management holes.
- ▶ Pull-out tray provides an extra work surface.
- ▶ File drawer can be adjusted to fit both standard and legal sizes.
- ▶ Can be combined to form double, triple, etc. configurations.
- ▶ Each will add 37.31" width to configuration.
- ▶ End Panels or Angled Bookcases needed unless next to another standard component.

# ARHAUS®

your home

## standard components

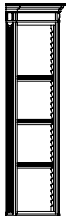


**Library Ladder & Pole**  
 74.69" w x 21" d  
 (from front of unit to base) x 78.75" h  
 Tuxedo Black 40ATHDBLPBL2  
 Nimbus 40ATHDBLPNM2  
 Stratus 40ATHDBLPST2

### library ladder & pole

- ▶ Six-rung step ladder slides from one end to the other on a solid brass bar.
- ▶ Designed to meet American ladder standards and constructed of solid alder.
- ▶ Each rung is dowelled, resulting in an exceptionally well-built piece that will support up to 200 lbs.
- ▶ Will add 21" depth to your configuration.
- ▶ Fits best over 2 Bookcase Tops.
- ▶ *On the Build Your Own Configuration worksheet, draw a line over 2 spaces to show placement.*

## special components



**Left Top**  
 17.125" w x 17.75" d x 63" h  
 Tuxedo Black 40ATHLETPBL2  
 Nimbus 40ATHLETPNM2  
 Stratus 40ATHLETPST2

**Right Top**  
 17.125" w x 17.75" d x 63" h  
 Tuxedo Black 40ATHRETPBL2  
 Nimbus 40ATHRETPNM2  
 Stratus 40ATHRETPST2

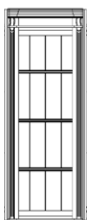
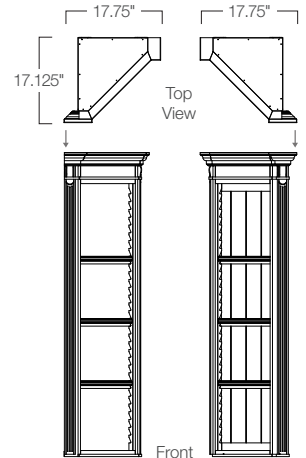


**Left Base**  
 17.125" w x 16.75" d x 31.5" h  
 Tuxedo Black 40ATHLEBSBL2  
 Nimbus 40ATHLEBSNM2  
 Stratus 40ATHLEBSST2

**Right Base**  
 17.125" w x 16.75" d x 31.5" h  
 Tuxedo Black 40ATHREBSBL2  
 Nimbus 40ATHREBSNM2  
 Stratus 40ATHREBSST2

### angled bookcase

- ▶ Top features three adjustable/removable shelves.
- ▶ Base features one adjustable/removable shelf.
- ▶ Bases include cord management holes to accommodate media components.
- ▶ Can be used to complete ends of modular configurations—no End Panels needed.
- ▶ Each will add 17.125" width to configuration.
- ▶ Cannot be attached to Corner Wedge Bookcase.



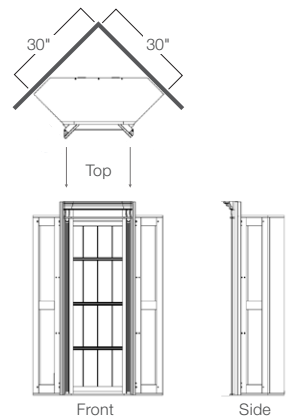
**Top**  
 30" w (on each wall) x  
 34" d (corner to front) x 63" h  
 Tuxedo Black 40ATHCNTPBL2  
 Nimbus 40ATHCNTPNM2  
 Stratus 40ATHCNTPST2

**Base**  
 30" w (on each wall) x  
 34" d (corner to front) x 31.5" h  
 Tuxedo Black 40ATHCNBSBL2  
 Nimbus 40ATHCNBSNM2  
 Stratus 40ATHCNBSST2

image  
not yet  
available

### corner wedge bookcase

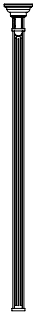
- ▶ Top features three adjustable/removable shelves.
- ▶ Base features one adjustable/removable shelf.
- ▶ Top's bottom shelf features a hidden spring-touch compartment.
- ▶ Bases include cord management holes to accommodate media components.
- ▶ Will add 30" width to each wall of configuration.
- ▶ Cannot be attached to the Angled Bookcases or End Panels.
- ▶ Configurations cannot be ended with this piece.



# ARHAUS®

your home

## special components



### Left Top

6" w x 17.75" d x 63" h  
 Tuxedo Black 40ATHLPTPBL2  
 Nimbus 40ATHLPTPNM2  
 Stratus 40ATHLPTPST2

### Right Top

6" w x 17.75" d x 63" h  
 Tuxedo Black 40ATHRPTPBL2  
 Nimbus 40ATHRPTPNM2  
 Stratus 40ATHRPTPST2



### Left Base

4" w x 16.75" d x 31.5" h  
 Tuxedo Black 40ATHLPBSBL2  
 Nimbus 40ATHLPBSNM2  
 Stratus 40ATHLPBSST2

### Right Base

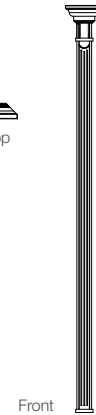
4" w x 16.75" d x 31.5" h  
 Tuxedo Black 40ATHRPBSBL2  
 Nimbus 40ATHRPBSNM2  
 Stratus 40ATHRPBSST2

## end panels

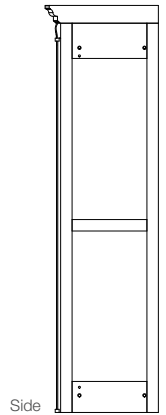
- ▶ Can be used to complete ends of modular configurations.
- ▶ Top Panel will add 2" width to each side of configuration.
- ▶ Base Panel will add 1" width to each side of base-only configurations.
- ▶ Cannot be used next to Angled Bookcases or Corner Wedge Bookcases.



Top



Front



Side

## configuration examples

Example configurations are fully finished and do not require additional End Panels.

image not yet available



### Media Cabinet with Angled Bookcases

108.87" w x 17.75" d x 94.5" h  
 Tuxedo Black 40ATHLTVABLKT2  
 Nimbus 40ATHLTVANMKT2  
 Stratus 40ATHLTVASTKT2



### Triple Narrow Bookcase

64.93" w x 17.75" d x 94.5" h  
 Tuxedo Black 40ATH3NBBLKT2  
 Nimbus 40ATH3NBNMKT2  
 Stratus 40ATH3NBSTKT2

### Media Console with Double Bookcases

153.24" w x 17.75" d x 94.5" h  
 Tuxedo Black 40ATHOMBBLKT2  
 Nimbus 40ATHOMBNMKT2  
 Stratus 40ATHOMBSTKT2



### 6-Door Media Console

113.93" w x 16.75" d x 31.5" h  
 Tuxedo Black 40ATH6DRBLKT2  
 Nimbus 40ATH6DRNMKT2  
 Stratus 40ATH6DRSTKT2



# ARHAUS®

your home

## BUILD YOUR ATHENS CONFIGURATION

from left to right



DIMENSIONS	TOP	END WITH LEFT: END PANEL / ANGLED BOOKCASE										END WITH RIGHT: END PANEL / ANGLED BOOKCASE
	BASE	END WITH LEFT: END PANEL / ANGLED END										END WITH RIGHT: END PANEL / ANGLED END

GUEST'S SIGNATURE \_\_\_\_\_

DESIGN CONSULTANT'S NAME \_\_\_\_\_

ORDER NUMBER \_\_\_\_\_

GUEST'S DIMENSIONS \_\_\_\_\_

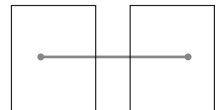
TOTAL CONFIGURATION DIMENSIONS \_\_\_\_\_

**NOTES:**

- Use 1 box for each component
- Be sure to circle end components
- Be sure to calculate total dimensions

Use 2 boxes for:

- DOUBLE BASE
- TV TOP
- LADDER & POLE



Be sure to copy this completed form for your guest's and for store records. This form must be presented to the delivery team on the day of delivery.

Email a copy of this completed form to your 3PL hub's primary contact with the subject line: 'client last name' - 'order number' (ex: SMITH - 8200233874).



# ARHAUS®

your home

## athens



### Display Cabinet\*

42.5" w x 17.25" d x 94.5" h

Tuxedo Black	40ATHENCBL3
French White	40ATHCABWKT
Cigar Brown	40ATHBRCABKT
Nimbus	40ATHCABNMKT

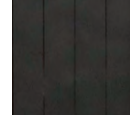


### Library\*

79.75" w x 17.5" d x 94.5" h

Tuxedo Black	40ATHENBL2
French White	40ATHENFWKT
Cigar Brown	40ATHENBRKT
Nimbus	40ATHENGRKT
Stratus	40ATHENSTKT

### Finishes:



Tuxedo Black



French White



Nimbus



Cigar Brown



Stratus

\* All SKUs apply to standalone products. These products are not modular.

## defining neoclassical details and handcrafted finishes

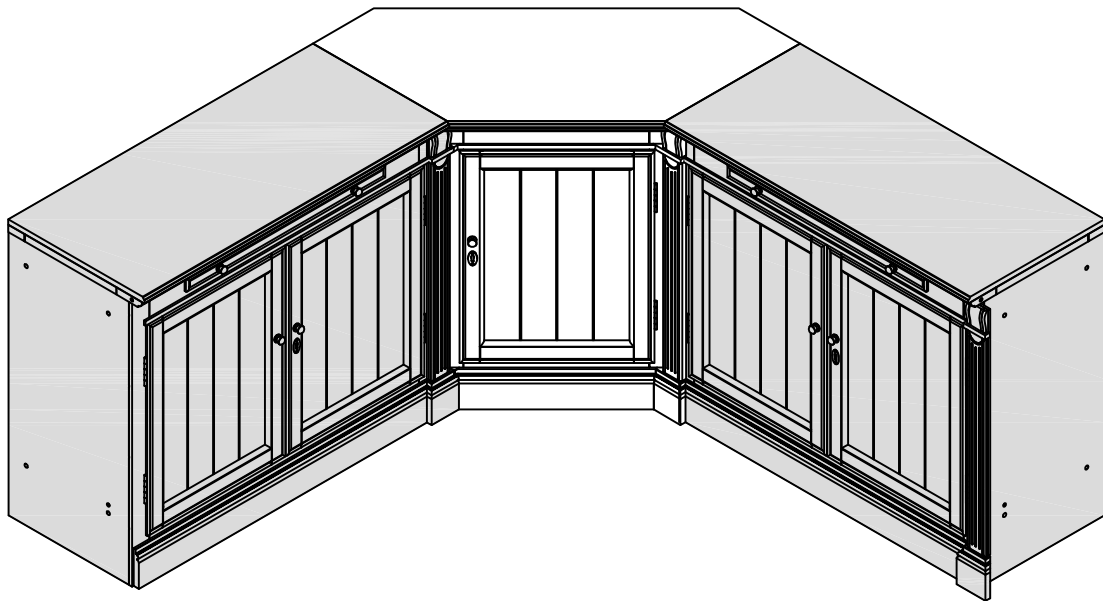
With its vintage silhouettes and artisan-applied finishes, our Athens collection will infuse your space with the ambiance and sophisticated charm of an old English library. Classically styled accents, hand-carved trim, and solid, wood panels are carefully designed to accentuate traditionally assembled shelves and cabinetry. Each of these room-defining displays and storage pieces is perfectly constructed to create the illusion of custom-made, built-in millwork complemented by contemporary functionality to accommodate your every need.

### product details

- ▶ Finishes are applied by skilled artisans who paint, stain and, distress each surface by hand.
- ▶ Finishes are coated in a soft lacquer for added protection.
- ▶ Tuxedo Black cabinets are handcrafted using solid mahogany and veneers.
- ▶ French White, Nimbus, and Stratus cabinets are handcrafted using solid, yellow poplar and veneers.
- ▶ Cigar Brown cabinets are handcrafted using solid mindi wood and veneers.
- ▶ Cabinetry is accented with moulding, beadboards, recessed panels and antique brass hardware.
- ▶ Library features a six-rung step ladder that slides along a solid brass bar.
- ▶ Library ladder is designed in compliance with American ladder standards.
- ▶ Each ladder rung is reinforced to support up to 200 lbs.
- ▶ Library-top sections each feature three adjustable/removable shelves.
- ▶ Library top features a 33" w x 13.5" d x 55" h cavity.
- ▶ Library-base cabinets feature two pull-out shelves and an adjustable/removable shelf.
- ▶ Display cabinet top features three adjustable/removable shelves.
- ▶ Display cabinet top features a 33" w x 13" d x 55" h cavity.
- ▶ Display cabinet base features one pull-out shelf and one adjustable/removable shelf.

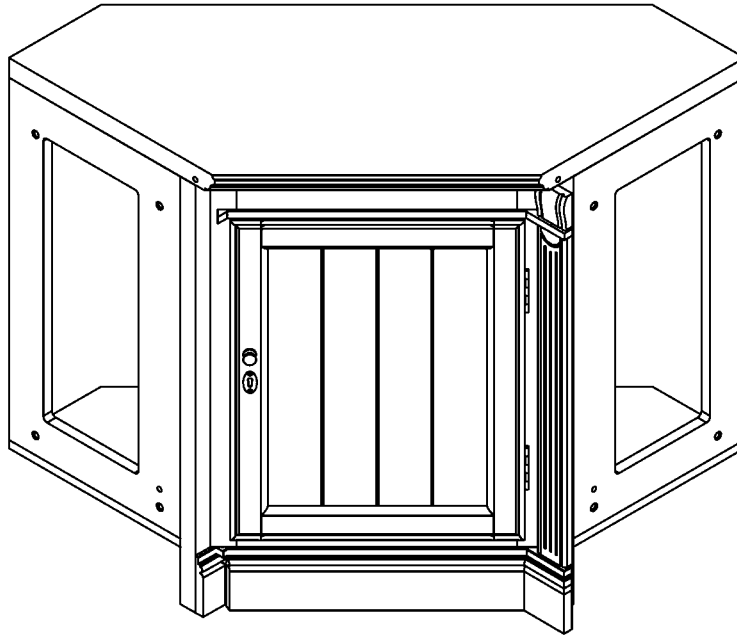


**ASSEMBLY INSTRUCTIONS**  
**for**  
**2 ATHENS**  
**CORNER WEDGE BOOKCASE BASE**



Carefully unpack and familiarize yourself with all parts and diagrams to facilitate the assembly of your Athens Modular V2.

## CABINET PARTS



### A. 2 Athens - Corner Wedge Bookcase Base ( 1 pc )

Athens Tuxedo Black - 40ATHCNBSBL2

Athens Nimbus - 40ATHCNBSNM2

Athens Stratus - 40ATHCNBSST2

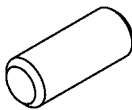
## ASSEMBLY HARDWARE

Athens Tuxedo Black - 91ATHBKHDW1

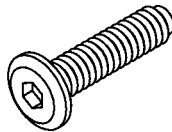
Athens Nimbus - 91ATHNMHDW11

Athens Stratus - 91ATHSTHDW2

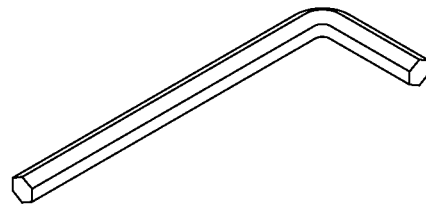
\* PARTS ARE NOT ABLE TO BE ORDERED, FOR ASSISTANCE PLEASE CONTACT YOUR LOCAL STORE OR ARHAUS CONCIERGE



C. Dowel Ø8 x 20  
( 4 pcs )



D. JCBC M6 x 25  
( 8 pcs )



E. Allen Key  
( 1 pc )

DESCRIPTION	BLACK	NIMBUS	STRATUS
STOCK SKU	40ATHCNBSBL2	40ATHCNBSNM2	40ATHCNBSST2
ASSEMBLY HARDWARE	91ATHBKHDW1	91ATHNMHDW11	91ATHSTHDW2
ANTI-TIP KIT	91ATHENSTIP	91ATHENSTIP	91ATHENSTIP
MENDING PLATE	91ATHSMNDPLT	91ATHSMNDPLT	91ATHSMNDPLT
LOCK	91ATHBLLOCK	91ATHNMLOCK	91ATHNMLOCK
KEY	91511ATHKEY	91511NIMKEY	91511NIMKEY
KNOBS	91ATHBLKNOB	91ATHNMKNOB	91ATHNMKNOB
HINGE	91511ATHHNG	91511ATHHNG	91511ATHHNG
CATCH	91ATHDRCTBS	91ATHDRCTBS	91ATHDRCTBS
LATCH	91ATHBLATCH	91ATHNMLATCH	91ATHNMLATCH
SHELF	40ATHBLKCBSHLF12	--	--
SHELF SUPPORT/SLAT 13"D	91ATHBKSHS13	91ATHNMSHS13	--
HOLE COVERING	91511LIDBLK	--	--

STEP 1 " ATTACH MODULE - CORNER WEDGE BOOKCASE BASE"

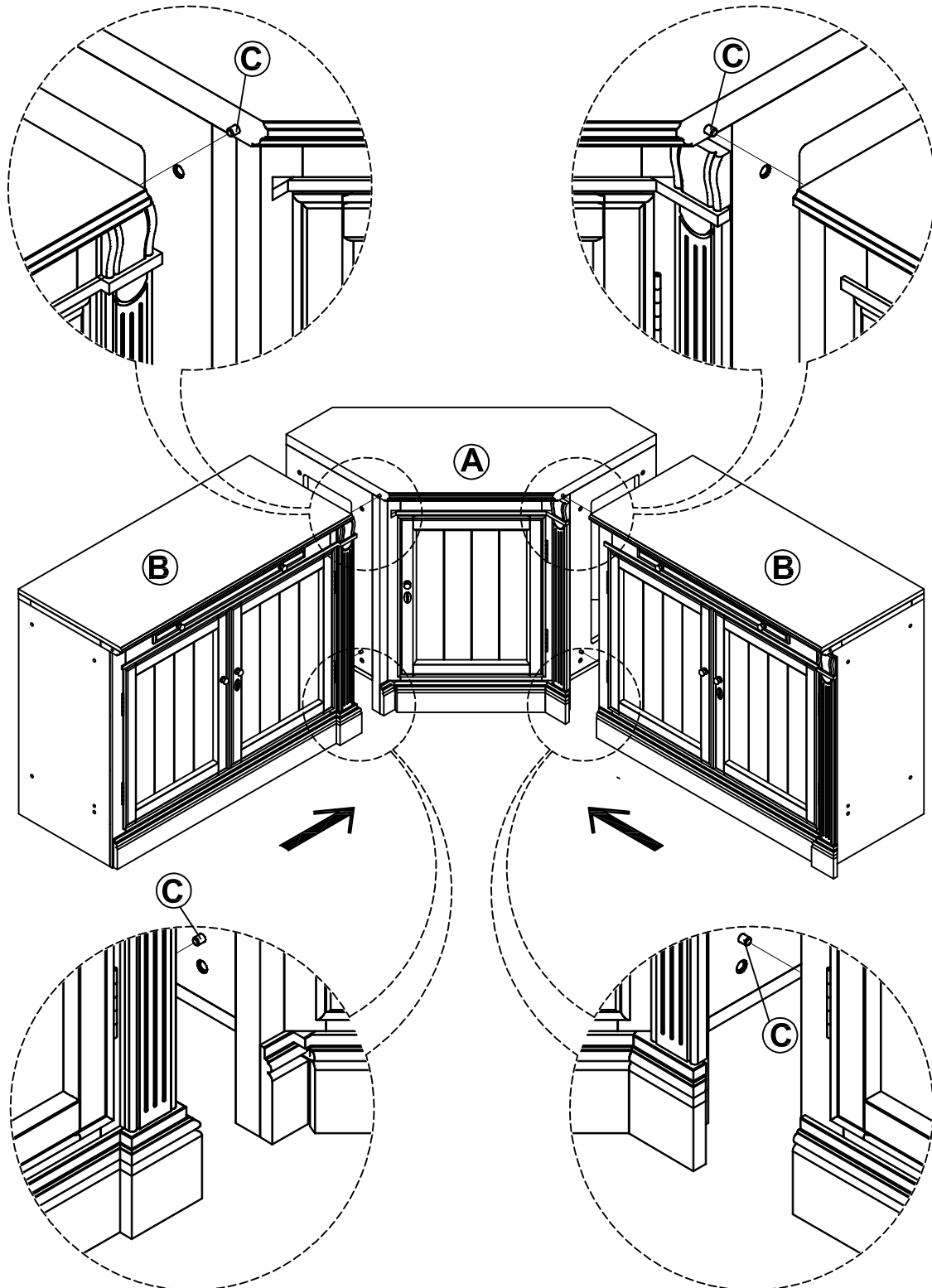
**THIS STEP REQUIRES:**

A. 2 ATHENS - CORNER WEDGE BOOKCASE BASE

B. 2 ATHENS - HALF/SINGLE/DOUBLE LIBRARY BOOKCASE/DISPLAY/WALL TV UNIT BASE

C. DOWEL Ø8 x 20 (4 pcs)

FIG. 1



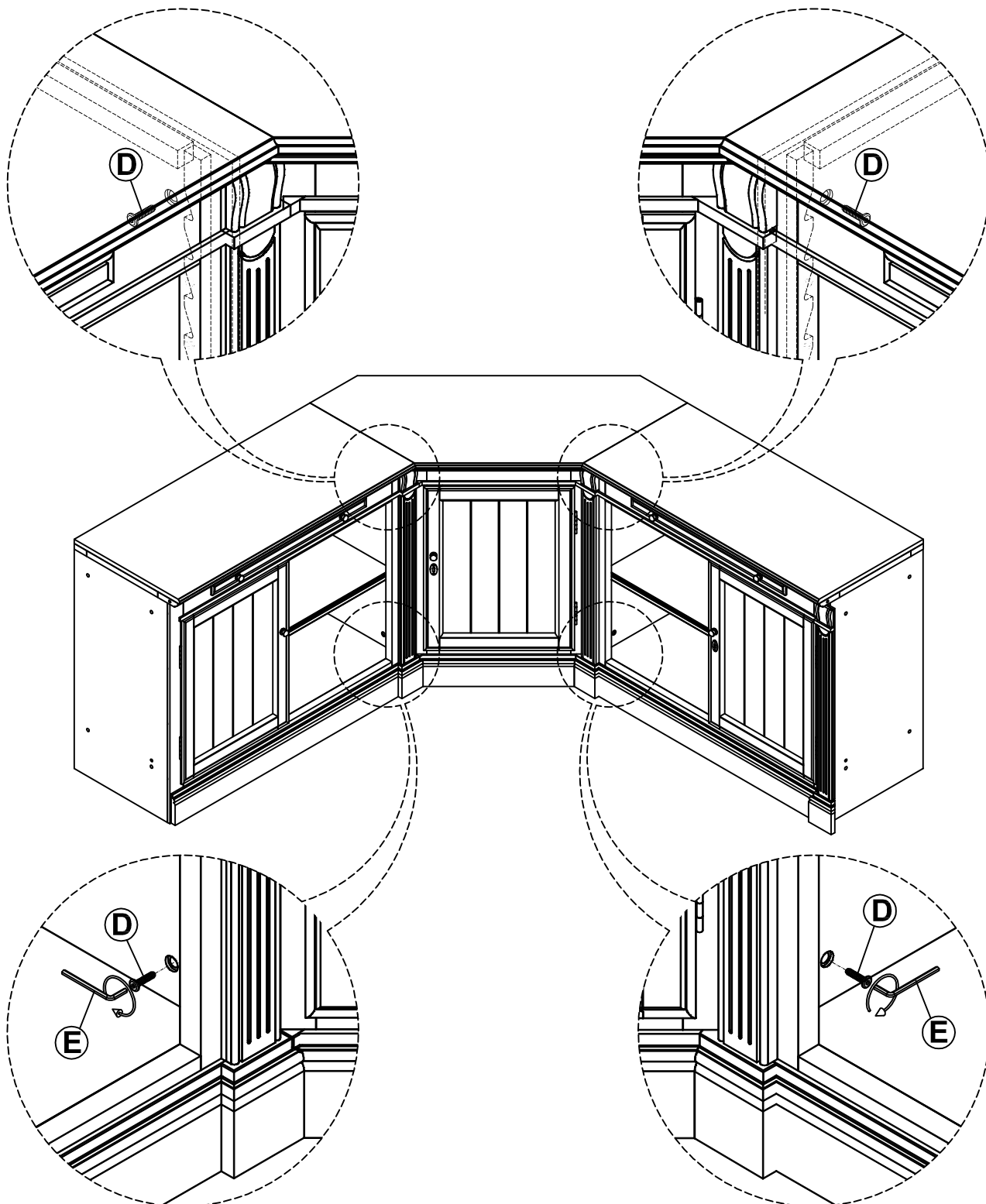
STEP 2 " SECURE MODULE - CORNER WEDGE BOOKCASE BASE "

**THIS STEP REQUIRES:**

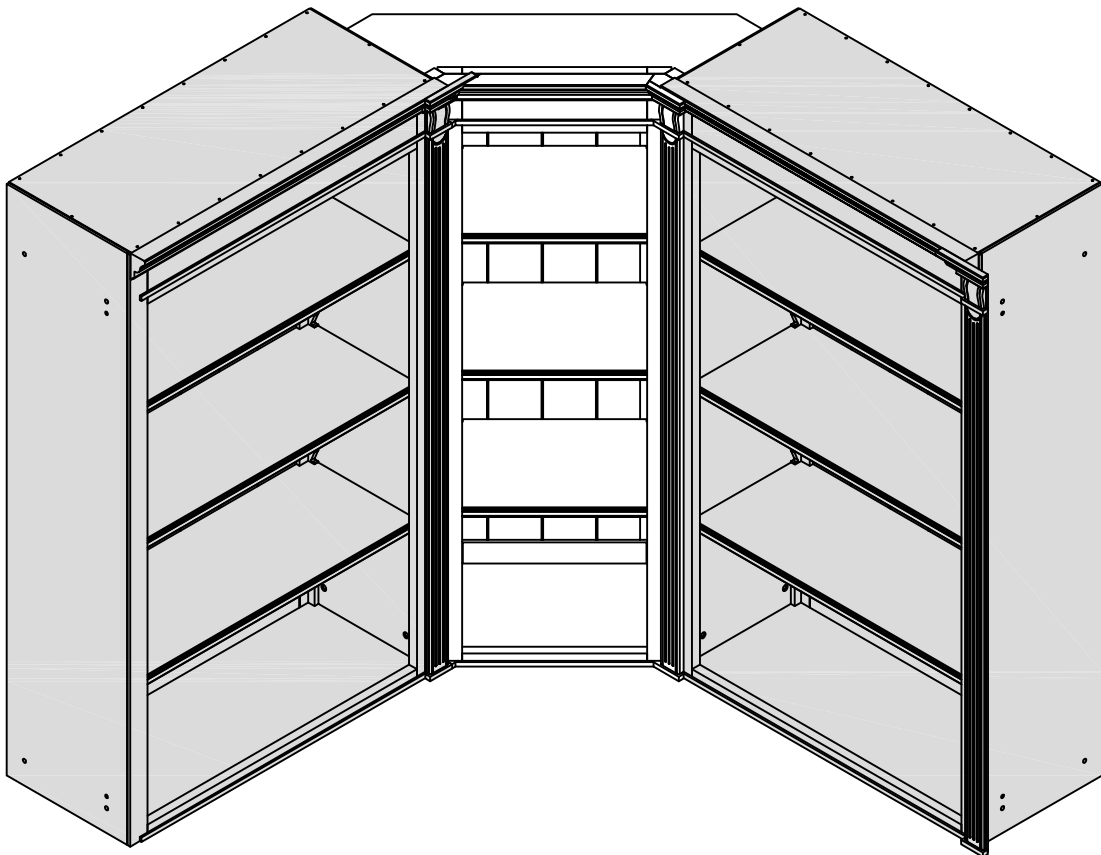
D. JCBC M6 x 25 (8 pcs)

E. ALLEN KEY (1 pc)

FIG. 2

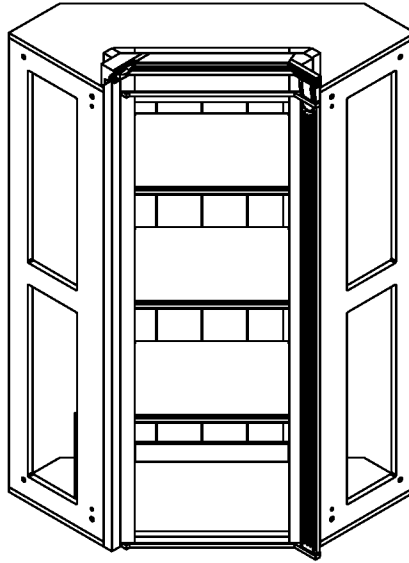


**ASSEMBLY INSTRUCTIONS**  
**for**  
**2 ATHENS**  
**CORNER WEDGE BOOKCASE TOP**



Carefully unpack and familiarize yourself with all parts and diagrams to facilitate the assembly of your Athens Modular V2.

## CABINET PARTS



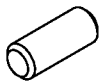
### A. 2 Athens - Corner Wedge Bookcase Top ( 1 pc )

Athens Tuxedo Black - 40ATHLCNPBL2  
 Athens Nimbus - 40ATHCNTPNM2  
 Athens Stratus - 40ATHCNTPST2

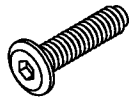
## ASSEMBLY HARDWARE

Athens Tuxedo Black - 91ATHBKHDW2  
 Athens Nimbus - 91ATHNMHDW12  
 Athens Stratus - 91ATHSTHDW3

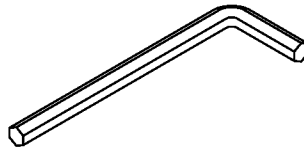
\* PARTS ARE NOT ABLE TO BE ORDERED, FOR ASSISTANCE PLEASE CONTACT YOUR LOCAL STORE OR ARHAUS CONCIERGE



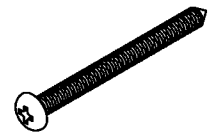
C. Dowel Ø8 x 20  
( 4 pcs )



D. JCBC M6 x 25  
( 8 pcs )



E. Allen Key  
( 1 pc )



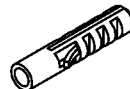
F. Screw PAB Ø8 x 1 1/2"  
( 1 pc )



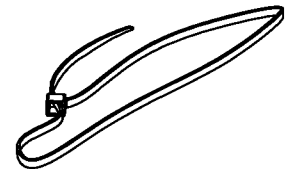
G. Screw PAB  
Ø6 x 5/8"  
( 1 pc )



H. Wall Fitting / "D"  
Bracket  
( 2 pcs )



I. Plastic Anchor /  
Fischer S6  
( 1 pc )



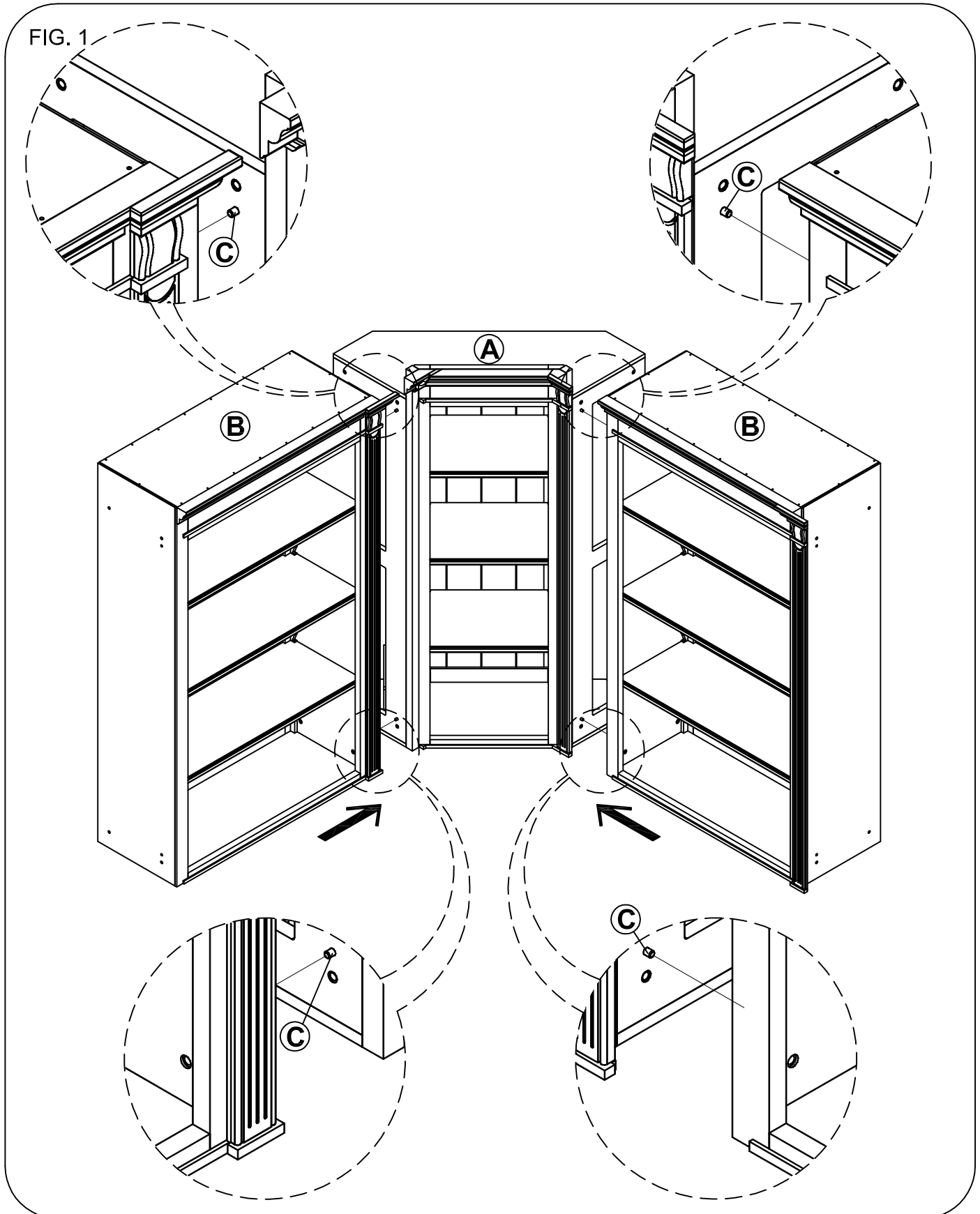
J. Wall Strap /  
Plastic Tie 25 cm  
( 1 pc )

DESCRIPTION	BLACK	NIMBUS	STRATUS
STOCK SKU	40ATHLCNPBL2	40ATHCNTPNM2	40ATHCNTPST2
ASSEMBLY HARDWARE	91ATHBKHDW2	91ATHNMHDW12	91ATHSTHDW13
ANTI-TIP KIT	91ATHENSTIP	91ATHENSTIP	91ATHENSTIP
MENDING PLATE	91ATHSMNDPLT	91ATHSMNDPLT	91ATHSMNDPLT
SHELF	40ATHBLKCBSHLF12	--	--
SHELF SUPPORT/SLAT 13" D	91ATHBKSHS13	91ATHNMHS13	--

STEP 1 " ATTACH MODULE - CORNER WEDGE BOOKCASE TOP"

**THIS STEP REQUIRES:**

- A. 2 ATHENS - CORNER WEDGE BOOKCASE TOP
- B. 2 ATHENS - HALF/SINGLE/LIBRARY BOOKCASE/DISPLAY/WALL TV UNIT TOP
- C. DOWEL Ø8 x 20 (4 pcs)





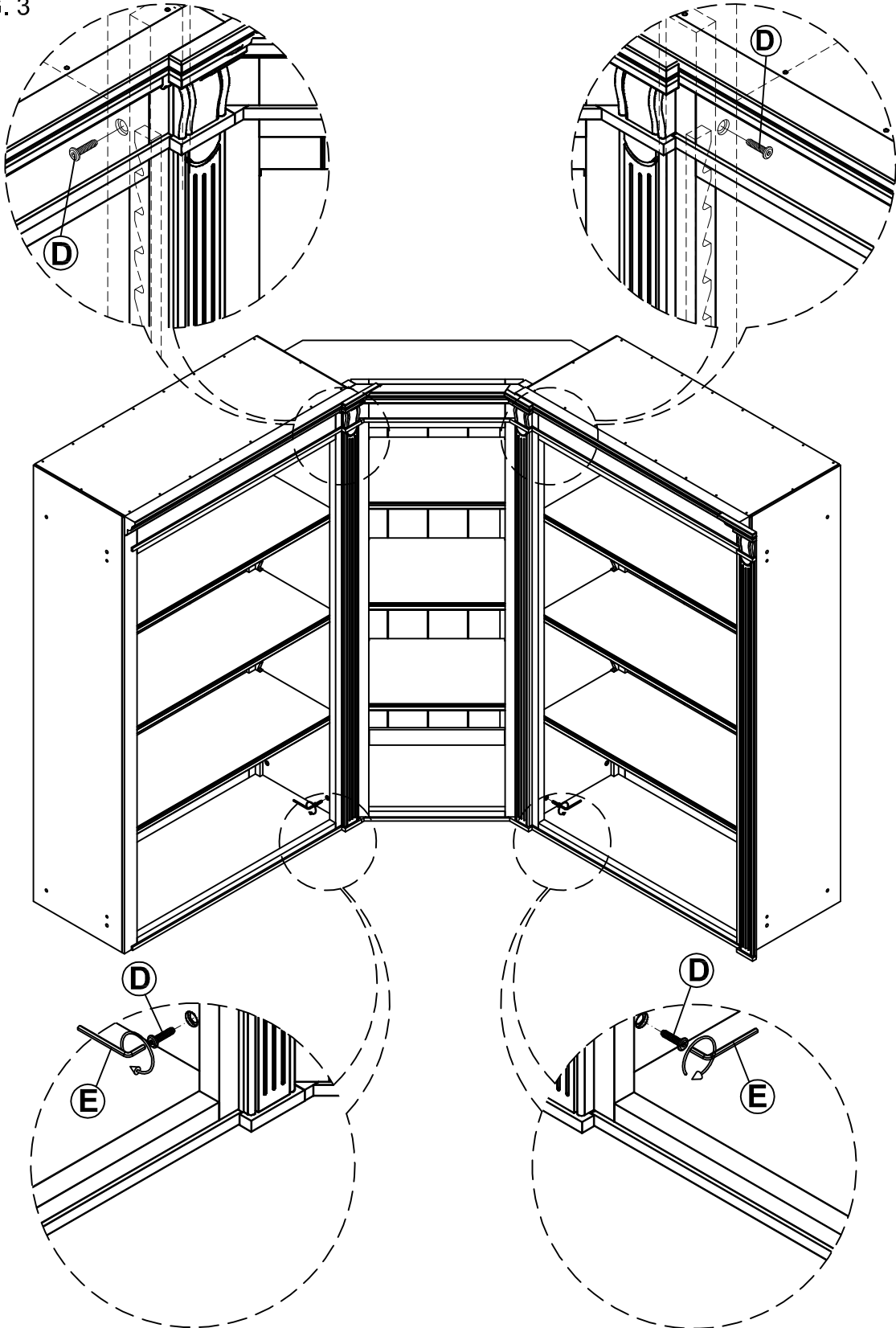
STEP 2 " SECURE MODULE - CORNER WEDGE BOOKCASE TOP "

**THIS STEP REQUIRES:**

D. JCBC M6 x 25 (8 pcs)

E. ALLEN KEY (1 pc)

FIG. 3



### STEP 3 " SAFETY MOUNTING ASSEMBLY "

#### THIS STEP REQUIRES:

F. SCREW Ø8 x 1 1/2"

G. SCREW Ø6 x 5/8"

H. WALL FITTING/"D" BRACKET

I. PLASTIC ANCHOR / FISCHER S6

J. WALL STRAP / PLASTIC TIE 25 cm

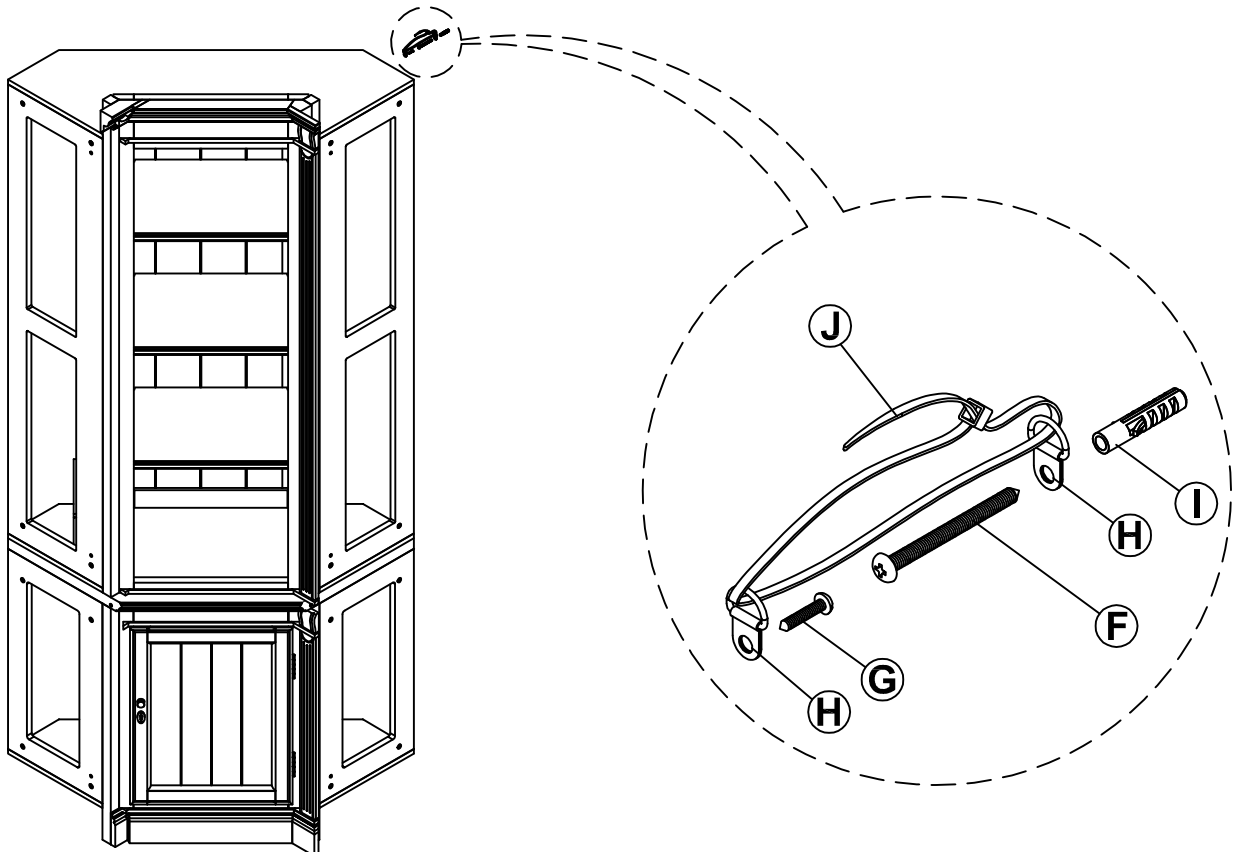
K. PHILLIPS SCREW DRIVER (NOT INCLUDED)

L. DRILL & 1/4" DRILL BIT (NOT INCLUDED)

#### Installation Instructions:

For added safety and stability, it is recommended that the wall mounting hardware be installed. For safe mounting, it is essential to use wall anchors appropriate to your wall type (i.e. Plaster, drywall, concrete, etc.). Mount to wood studs whenever possible.

- Attach **1 pc of wall fitting** to furniture as shown, using **small screw**.
- Determine the final position for the furniture. Mark position on the wall approximately 2" below the bracket mounted to the back of the unit.
- **Drill** a hole in the wall stud. If the wall stud is not available, drill a hole in the wall that is slightly smaller in diameter than the anchor. Gently tap the **plastic anchor** until the flange of the anchor is flush with the wall.
- Attach the **wall fitting** to the wall by inserting **large screw** through the wall fitting and into the **plastic anchor** in the wall.
- Place the unit so the wall fitting on the back edge is aligned with the wall fitting on the wall.
- Lace one end of the **wall strap** through both fittings, and into the other end of the strap.
- Pull the strap tightly until secure.

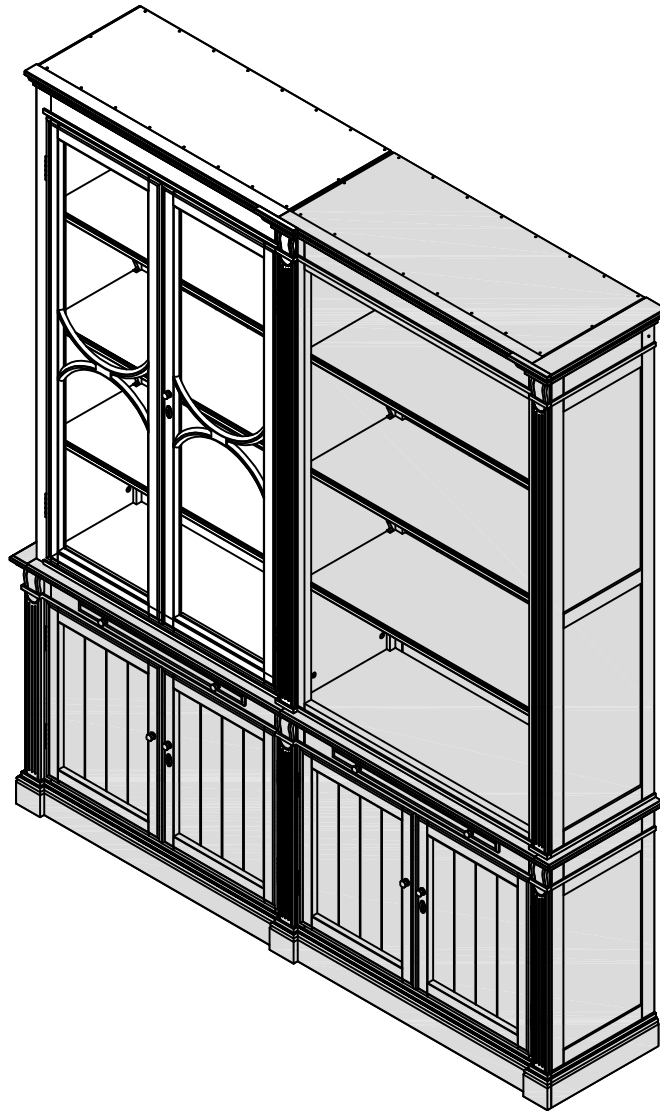


**Any damage incurred to the furniture or the wall as a result of improper installation of this restraint will be the responsibility of the owner.**

# ASSEMBLY INSTRUCTIONS

for

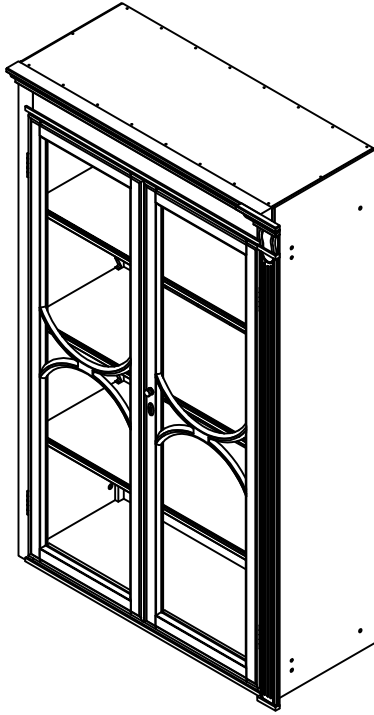
## 2 ATHENS DISPLAY CABINET TOP



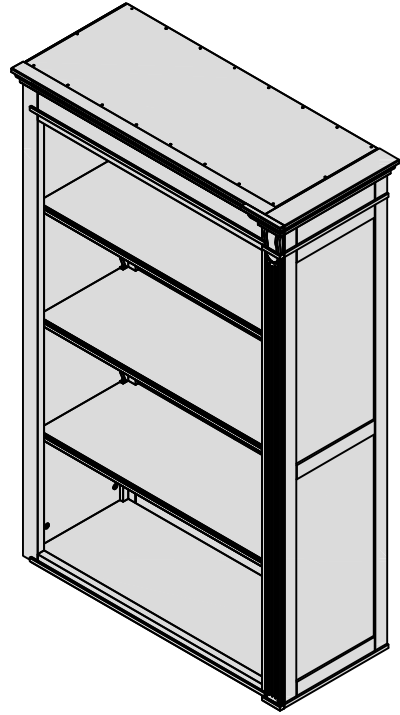
Carefully unpack and familiarize yourself with all parts and diagrams to facilitate the assembly of your Athens Modular V2.

**TOOLS REQUIRED:**  
phillips screw driver, drill and 1/4" drill bit (not supplied)

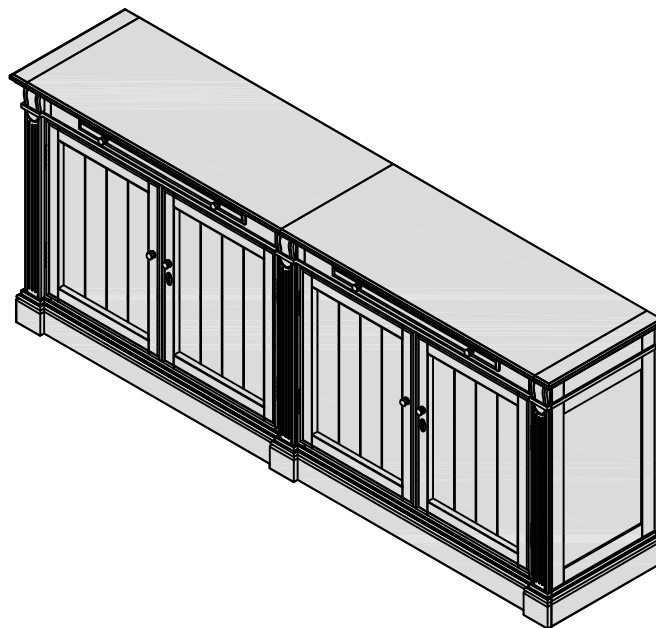
## CABINET PARTS



**A. 2 Athens - Display Cabinet Top ( 1 pc )**  
Athens Tuxedo Black - 40ATHDCTPBL2  
Athens Nimbus - 40ATHDCTPNM2  
Athens Stratus - 40ATHDCTPST2



**B. 2 Athens - Other Top Unit ( 1 pc )**



**C. 2 Athens - Base Assembly ( 1 Set )**

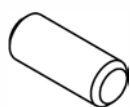
Carefully unpack and familiarize yourself with all parts and diagrams to facilitate the assembly of your Athens Modular V2.

**TOOLS REQUIRED:**  
 phillips screw driver, drill and 1/4" drill bit (not supplied)

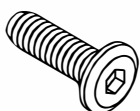
### ASSEMBLY HARDWARE

Athens Tuxedo Black - 91ATHBKHDW5  
 Athens Nimbus - 91ATHNMHDW9  
 Athens Stratus - 91ATHSTHDW6

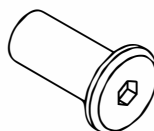
\* PARTS ARE NOT ABLE TO BE ORDERED, FOR ASSISTANCE PLEASE CONTACT YOUR LOCAL STORE OR ARHAUS CONCIERGE



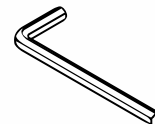
D. Dowel Ø8 x 20  
( 2 pcs )



E. JCBC M6 x 20  
( 4 pcs )



F. Sleeve Nut M6 x 19  
( 4 pcs )



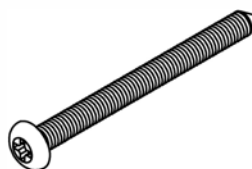
G. Allen Key  
( 2 pcs )



H. Connector Bar  
( 2 pcs )  
attached



I. Screw Ø6 x 3/4"  
( 4 pcs )  
attached



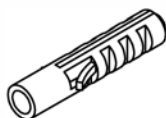
J. Screw PAB Ø8 x 1 1/2"  
( 1 pc )



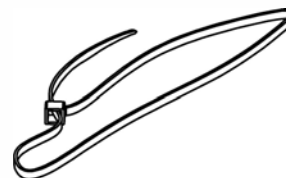
K. Screw PAB Ø6 x 5/8"  
( 1 pc )



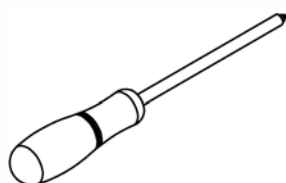
L. Wall Fitting / "D" Bracket  
( 2 pcs )



M. Plastic Anchor / Fischer S6  
( 1 pc )



N. Wall Strap / Plastic Tie 25 cm  
( 1 pc )



O. Philips Screw Driver  
( Not Include )



P. Drill & 1/4 " Drill Bit  
( Not Include )

DESCRIPTION	BLACK	NIMBUS	STRATUS
STOCK SKU	40ATHDCTPBL2	40ATHDCTPNM2	40ATHDCTPST2
ASSEMBLY HARDWARE	91ATHBKHDW5	91ATHNMHDW9	91ATHSTHDW6
ANTI-TIP KIT	91ATHENSTIP	91ATHENSTIP	91ATHENSTIP
MENDING PLATE	91ATHSMNDPLT	91ATHSMNDPLT	91ATHSMNDPLT
LOCK	91ATHBLLOCK	91ATHNMLOCK	91ATHNMLOCK
KEY	91511ATHKEY	91511NIMKEY	91511NIMKEY
KNOBS	91ATHBLKNOB	91ATHNMKNOB	91ATHNMKNOB
HINGE	91511ATHHNG	91511ATHHNG	91511ATHHNG
CATCH	91ATHDRCTBS	91ATHDRCTBS	91ATHDRCTBS
SHELF 13"	91ATHBLDSHF	91ATHNMDSHF	91ATHSTDSHF
SHELF SUPPORT/SLAT 12" D	91ATHBLSHS12	91ATHNMSHS12	--
HOLE COVERING	91511IDBLK	--	--

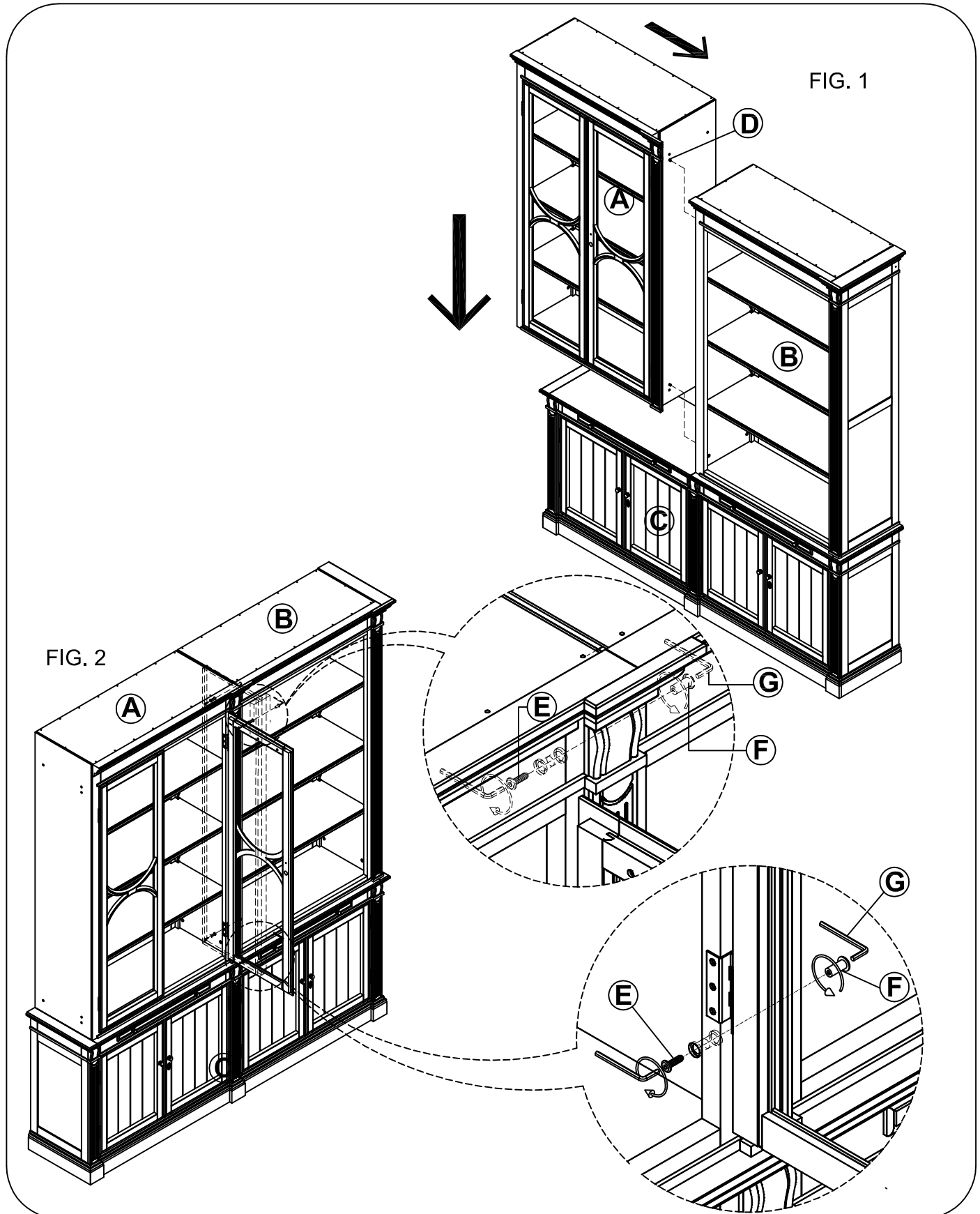
## STEP 1 " JOIN TWO MODULES "

### THIS STEP REQUIRES:

- A. 2 ATHENS DISPLAY CABINET TOP
- B. 2 ATHENS OTHER TOP UNIT
- C. BASE UNIT ASSEMBLY

- D. DOWEL Ø8 x20 (2 pcs)
- E. JCBC M6 x 20 (4 pcs)
- F. SLEEVE NUT M6 x 19 (4 pcs)
- G. ALLEN KEY (2 pcs)

*Note : Module B and C are exchangeable with the other Module*



STEP 2 " SECURE - 2 ATHENS BOOKCASE TOP "

**THIS STEP REQUIRES:**

- H. CONNECTOR BAR (attached; 2 pcs)
- I. SCREW Ø6 x 3/4" (attached; 4 pcs)
- O. PHILLIPS SCREW DRIVER ( NOT INCLUDED)

FIG. 3

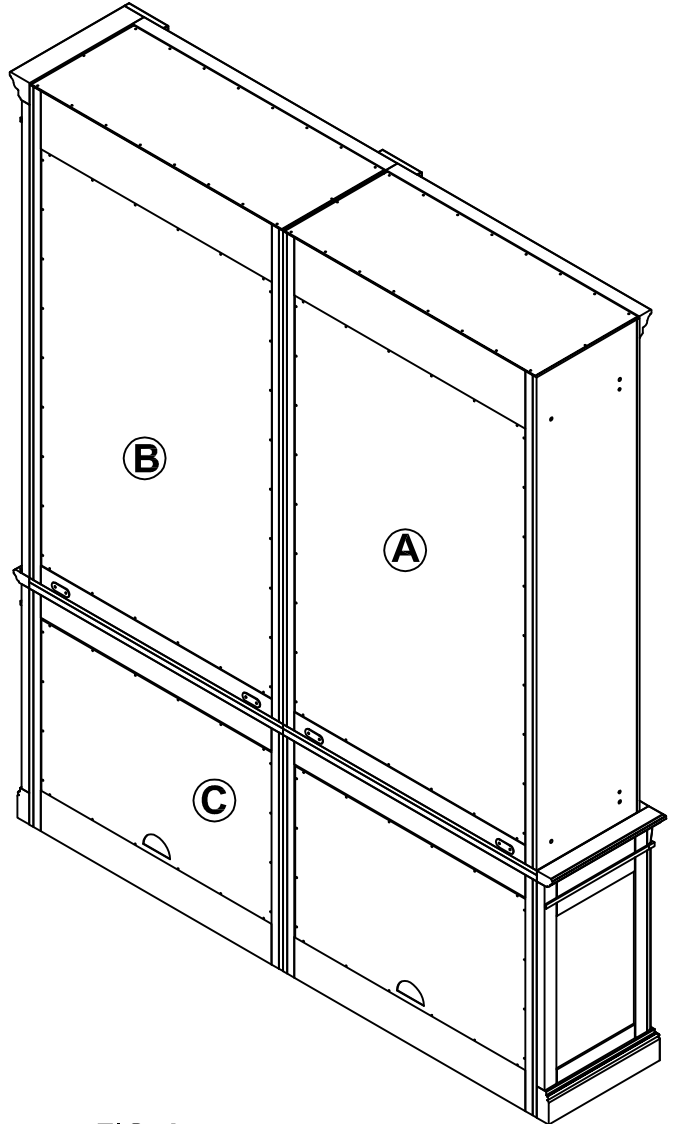
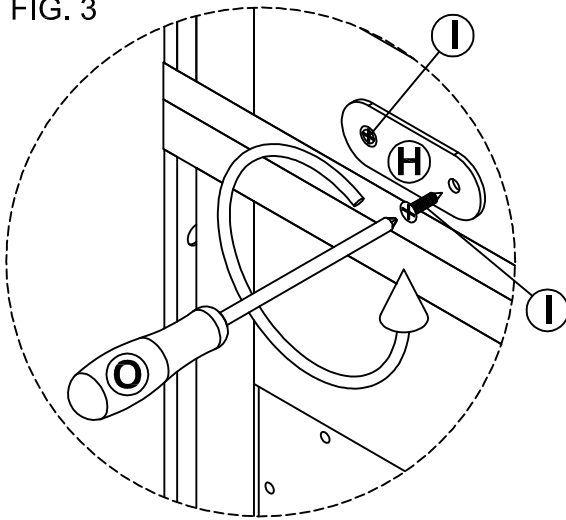


FIG. 3

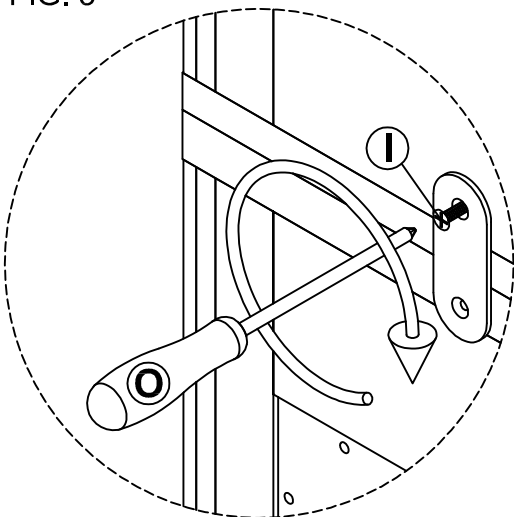
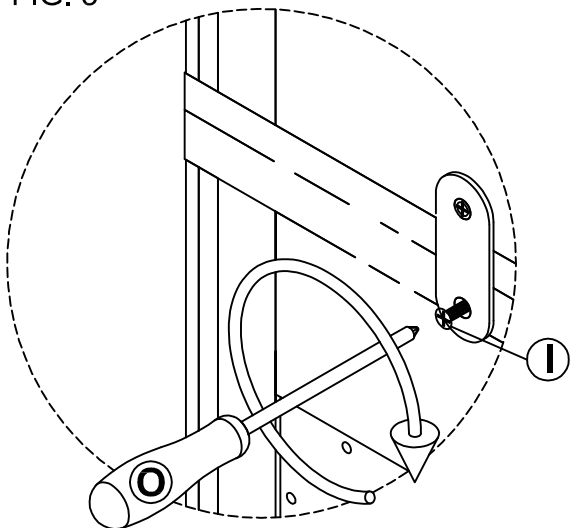


FIG. 3



### STEP 3 " SAFETY MOUNTING ASSEMBLY "

#### THIS STEP REQUIRES:

J. SCREW Ø8 x 1 1/2"

K. SCREW Ø6 x 5/8"

L. WALL FITTING/"D" BRACKET

M. PLASTIC ANCHOR / FISCHER S6

N. WALL STRAP / PLASTIC TIE 25 cm

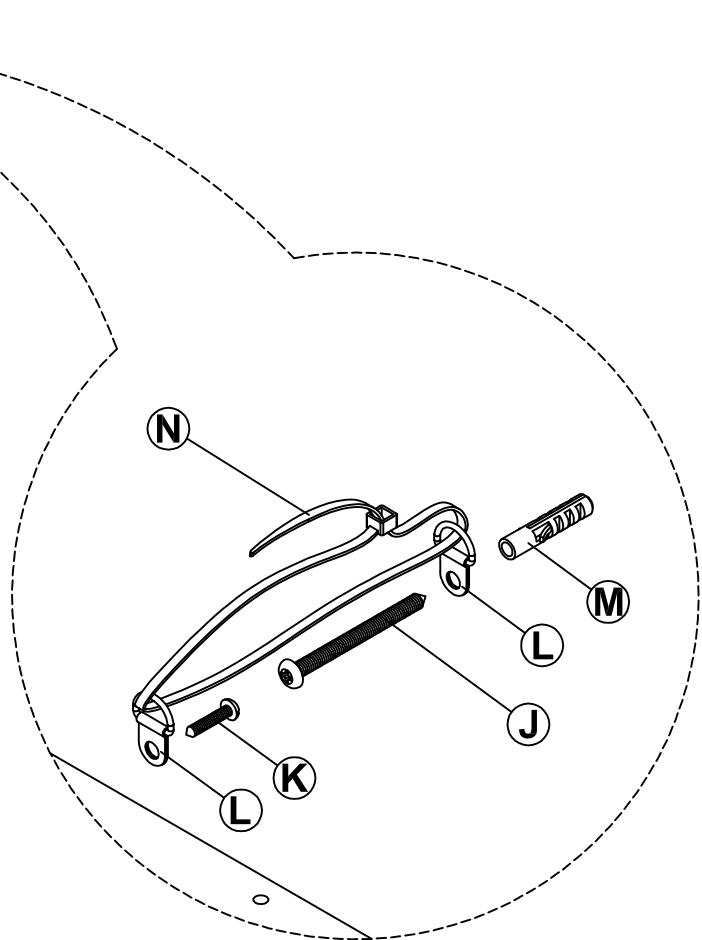
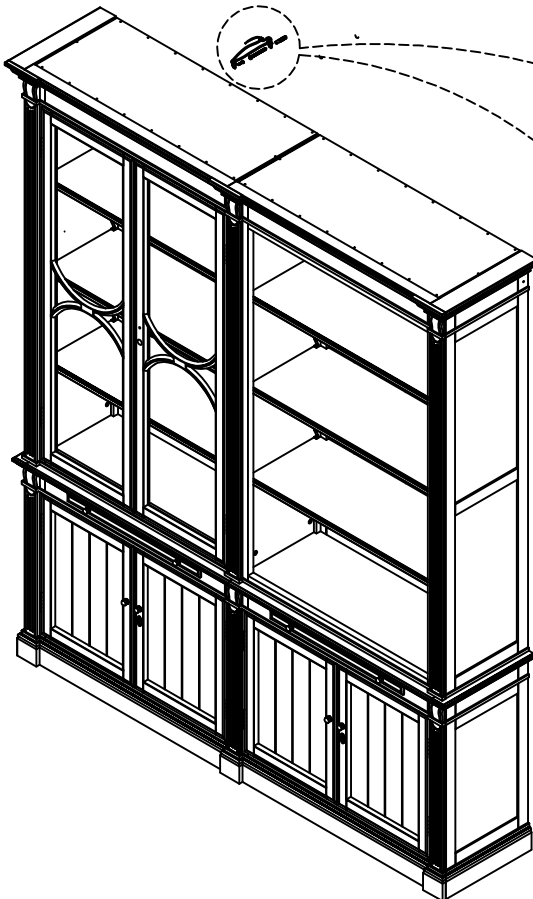
O. PHILLIPS SCREW DRIVER (NOT INCLUDED)

P. DRILL & 1/4" DRILL BIT (NOT INCLUDED)

#### Installation Instructions:

For added safety and stability, it is recommended that the wall mounting hardware be installed. For safe mounting, it is essential to use wall anchors appropriate to your wall type (i.e. Plaster, drywall, concrete, etc.). Mount to wood studs whenever possible.

- Attach **1 pc of wall fitting** to furniture as shown, using **small screw**.
- Determine the final position for the furniture. Mark position on the wall approximately 2" below the bracket mounted to the back of the unit.
- **Drill** a hole in the wall stud. If the wall stud is not available, drill a hole in the wall that is slightly smaller in diameter than the anchor. Gently tap the **plastic anchor** until the flange of the anchor is flush with the wall.
- Attach the **wall fitting** to the wall by inserting **large screw** through the wall fitting and into the **plastic anchor** in the wall.
- Place the unit so the wall fitting on the back edge is aligned with the wall fitting on the wall.
- Lace one end of the **wall strap** through both fittings, and into the other end of the strap.
- Pull the strap tightly until secure.



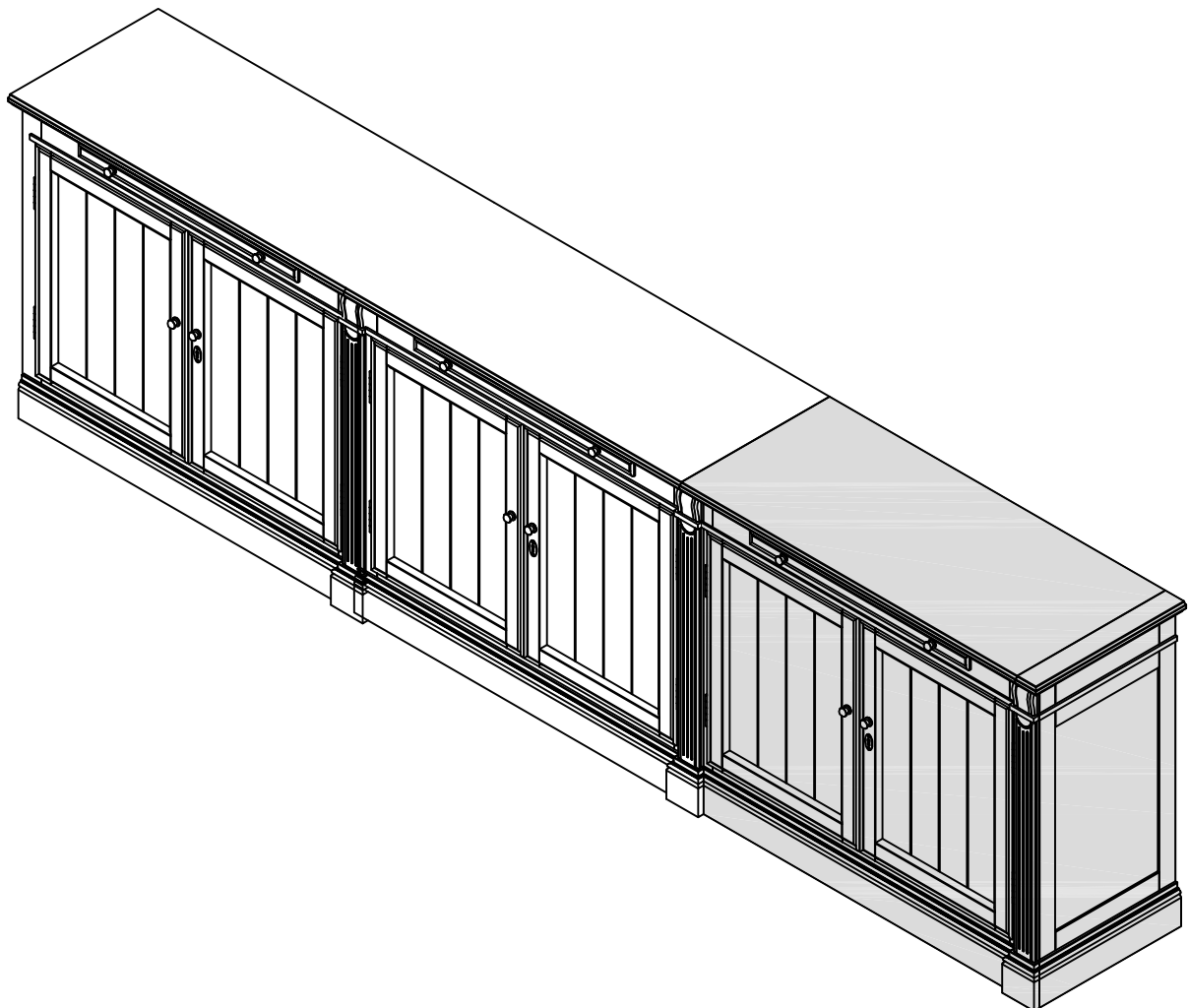
**Any damage incurred to the furniture or the wall as a result of improper installation of this restraint will be the responsibility of the owner.**



# ASSEMBLY INSTRUCTIONS

for

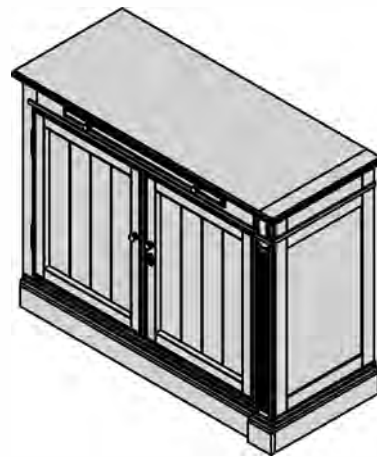
## 2 ATHENS DOUBLE MODULAR BASE



Carefully unpack and familiarize yourself with all parts and diagrams to facilitate the assembly of your Athens Modular V2.

**TOOLS REQUIRED:**  
 phillips screw driver, drill and 1/4" drill bit (not supplied)

## CABINET PARTS



**A. 2 Athens - Double Modular Base ( 1 pc )**  
 Athens Tuxedo Black - 40ATHDBBSBL2  
 Athens Nimbus - 40ATHDBBSNM2  
 Athens Stratus - 40ATHDBBSST2

**B. 2 Athens - Other Base Unit ( 1 pc )**

DESCRIPTION	BLACK	NIMBUS	STRATUS
STOCK SKU	40ATHDBBSBL2	40ATHDBBSNM2	40ATHDBBSST2
ASSEMBLY HARDWARE	91ATHBKHDW6	91ATHSMHDW1	91ATHSTHDW5
ANTI-TIP KIT	91ATHENSTIP	91ATHENSTIP	91ATHENSTIP
MENDING PLATE	91ATHSMNDPLT	91ATHSMNDPLT	91ATHSMNDPLT
LOCK	91ATHBLLOCK	91ATHNMLOCK	91ATHNMLOCK
KEY	91511ATHKEY	91511NIMKEY	91511NIMKEY
KNOBS	91ATHBLKNOB	91ATHNMKNOB	91ATHNMKNOB
HINGE	91511ATHHNG	91511ATHHNG	91511ATHHNG
CATCH	91ATHDRCTBS	91ATHDRCTBS	91ATHDRCTBS
LATCH	91ATHBLLATCH	91ATHNMLATCH	91ATHNMLATCH
SHELF 13"	91ATHBLDSHF	91ATHNMDSHF	91ATHSTDSHF
SHELF SUPPORT/SLAT 12" D	91ATHBLSHS12	91ATHNMSHS12	--
HOLE COVERING	91511IDBLK	--	--

Carefully unpack and familiarize yourself with all parts and diagrams to facilitate the assembly of your Athens Modular V2.

**TOOLS REQUIRED:**  
phillips screw driver, drill and 1/4" drill bit (not supplied)

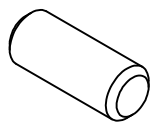
## ASSEMBLY HARDWARE

Athens Tuxedo Black - 91ATHBKHDW6

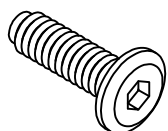
Athens Nimbus - 91ATHNMHDW1

Athens Stratus - 91ATHSTHDW5

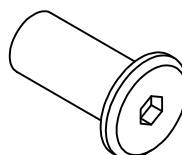
\* PARTS ARE NOT ABLE TO BE ORDERED, FOR ASSISTANCE PLEASE CONTACT YOUR LOCAL STORE OR ARHAUS CONCIERGE



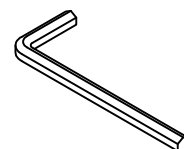
C. Dowel  $\varnothing 8 \times 20$   
( 2 pcs )



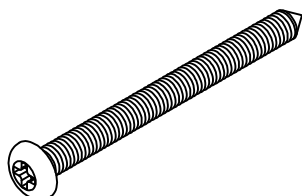
D. JCBC M6 x 20  
( 4 pcs )



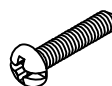
E. Sleeve Nut M6 x 19  
( 4 pcs )



F. Allen Key  
( 2 pcs )



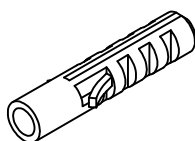
G. Screw PAB  $\varnothing 8 \times 1 \frac{1}{2}$ "  
( 1 pc )



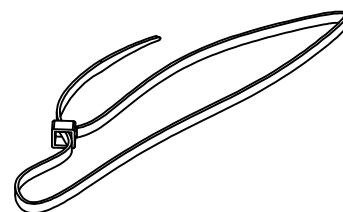
H. Screw PAB  $\varnothing 6 \times \frac{5}{8}$ "  
( 1 pc )



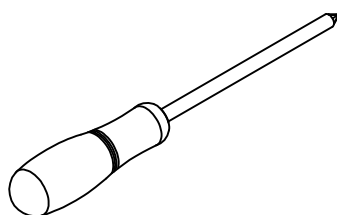
I. Wall Fitting / "D" Bracket  
( 2 pcs )



J. Plastic Anchor / Fischer S6  
( 1 pc )



K. Wall Strap / Plastic Tie 25 cm  
( 1 pc )



L. Phillips Screw Driver  
( Not Include )



M. Drill & 1/4 " Drill Bit  
( Not Include )

## STEP 1 " JOIN TWO MODULES "

### THIS STEP REQUIRES:

- A. 2 ATHENS DOUBLE BASE
- B. 2 ATHENS OTHER BASE UNIT
- C. DOWEL Ø8 x20 (2 pcs)

- D. JCBC M6 x 20 (4 pcs)
- E. SLEEVE NUT M6 x 19 (4 pcs)
- F. ALLEN KEY (2 pcs)

Note : Module B are exchangeable with the other Module

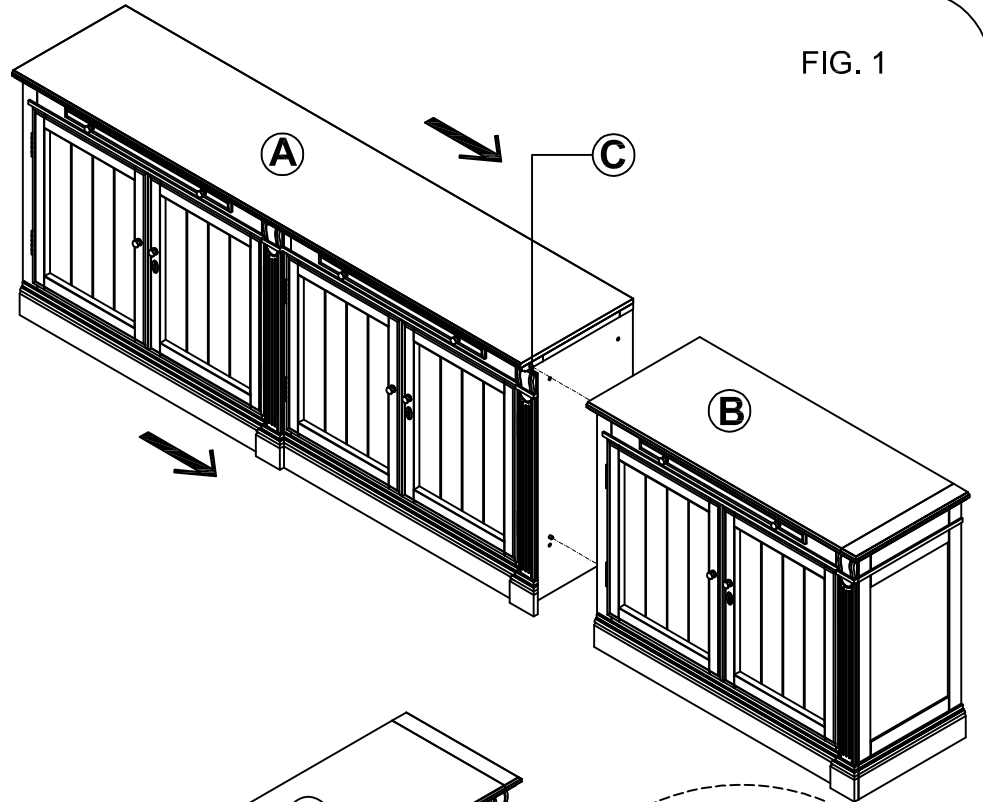


FIG. 1

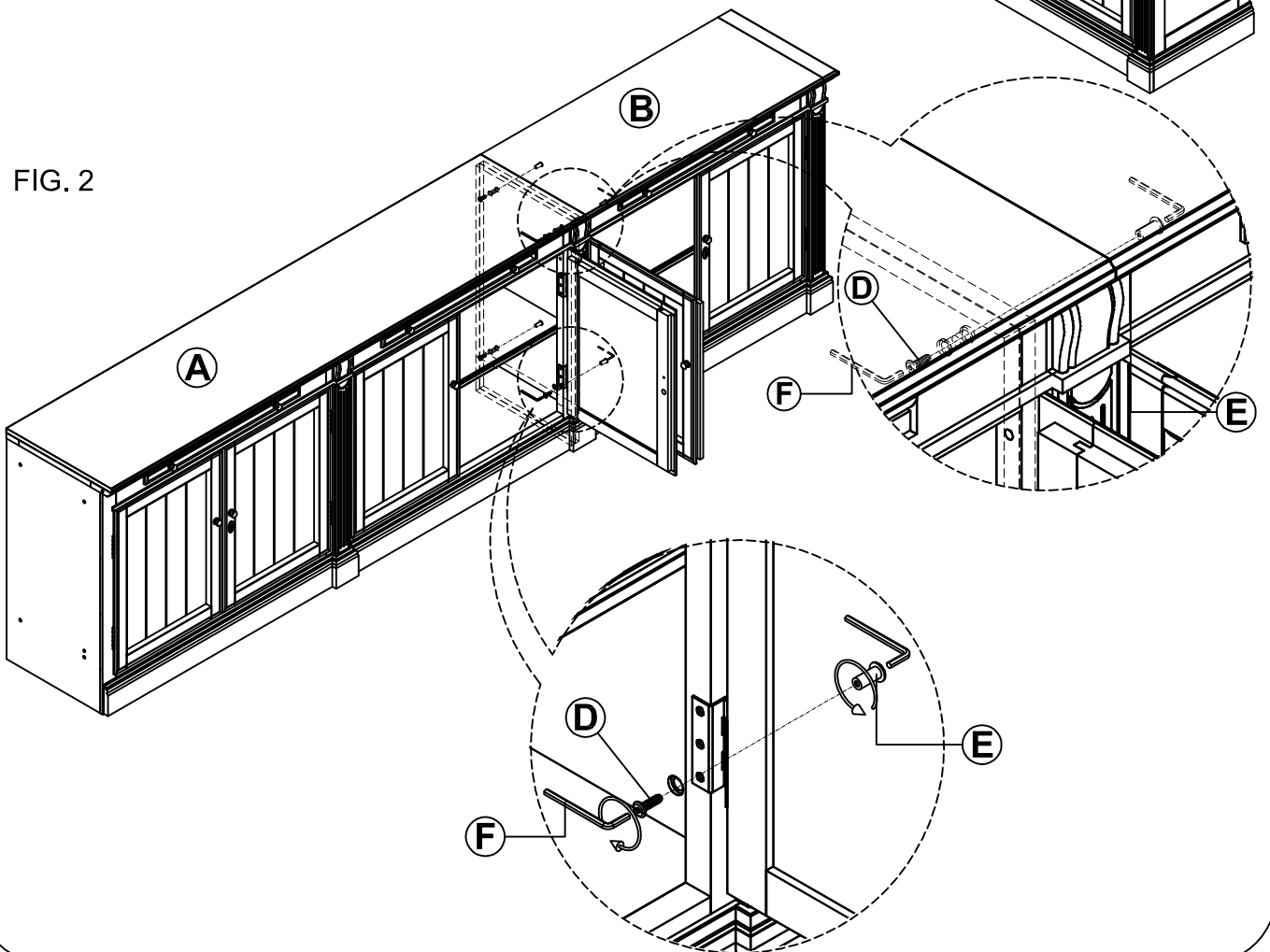


FIG. 2

## STEP 2 " SAFETY MOUNTING ASSEMBLY "

### THIS STEP REQUIRES:

G. SCREW Ø8 x 1 1/2"

H. SCREW Ø6 x 5/8"

I. WALL FITTING/"D" BRACKET

J. PLASTIC ANCHOR / FISCHER S6

K. WALL STRAP / PLASTIC TIE 25 cm

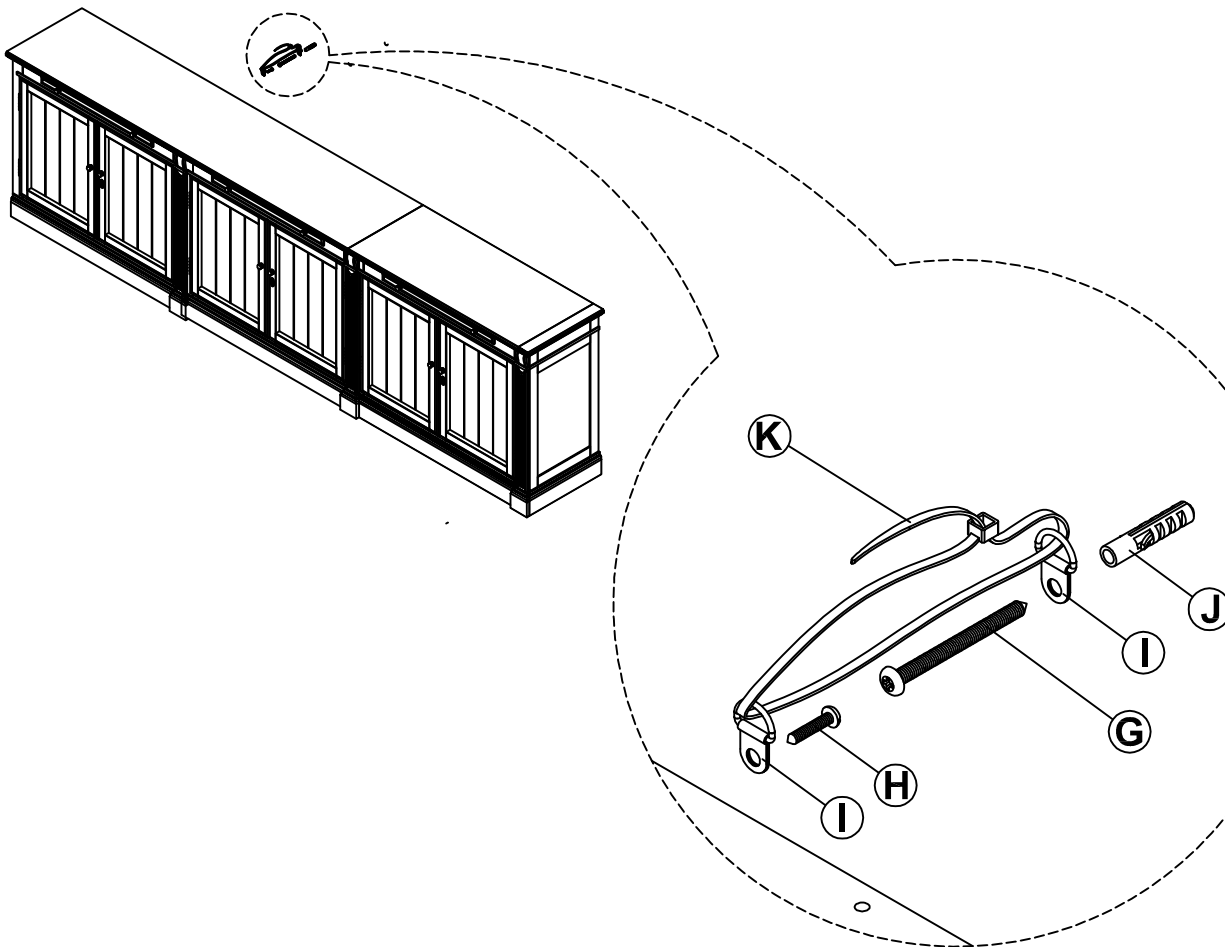
L. PHILLIPS SCREW DRIVER (NOT INCLUDED)

M. DRILL & 1/4" DRILL BIT (NOT INCLUDED)

#### Installation Instructions:

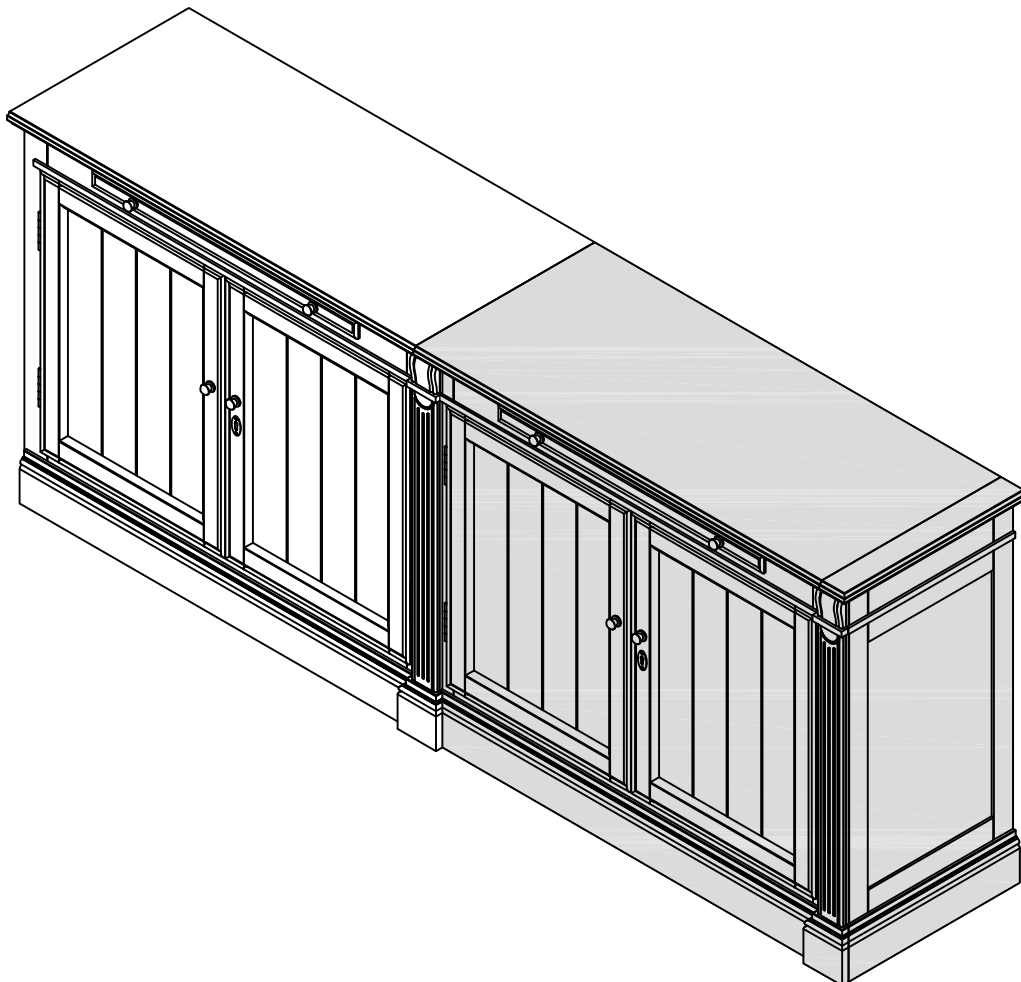
For added safety and stability, it is recommended that the wall mounting hardware be installed. For safe mounting, it is essential to use wall anchors appropriate to your wall type (i.e. Plaster, drywall, concrete, etc.). Mount to wood studs whenever possible.

- Attach **1 pc of wall fitting** to furniture as shown, using **small screw**.
- Determine the final position for the furniture. Mark position on the wall approximately 2" below the bracket mounted to the back of the unit.
- Drill a hole in the wall stud. If the wall stud is not available, drill a hole in the wall that is slightly smaller in diameter than the anchor. Gently tap the **plastic anchor** until the flange of the anchor is flush with the wall.
- Attach the **wall fitting** to the wall by inserting **large screw** through the wall fitting and into the **plastic anchor** in the wall.
- Place the unit so the wall fitting on the back edge is aligned with the wall fitting on the wall.
- Lace one end of the **wall strap** through both fittings, and into the other end of the strap.
- Pull the strap tightly until secure.



**Any damage incurred to the furniture or the wall as a result of improper installation of this restraint will be the responsibility of the owner.**

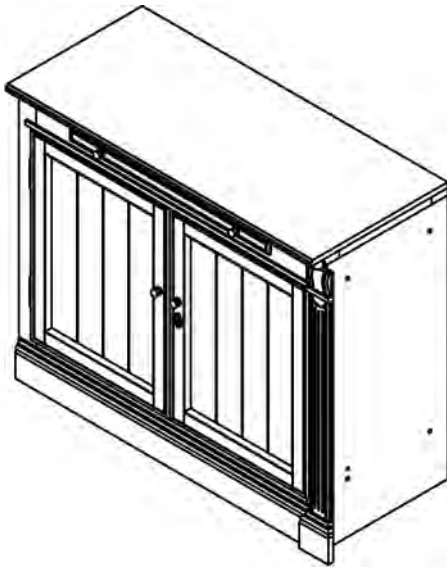
**ASSEMBLY INSTRUCTIONS**  
**for**  
**2 ATHENS SINGLE FILE BASE**



Carefully unpack and familiarize yourself with all parts and diagrams to facilitate the assembly of your Athens Modular V2.

**TOOLS REQUIRED:**  
 phillips screw driver, drill and 1/4" drill bit (not supplied)

## CABINET PARTS



### A. 2 Athens - Single File Base ( 1 pc )

Athens Tuxedo Black - 40ATHFILBL2  
 Athens Nimbus - 40ATHFILNM2  
 Athens Stratus - 40ATHFILST2

### B. 2 Athens - Other Base Unit ( 1 pc )

DESCRIPTION	BLACK	NIMBUS	STRATUS
STOCK SKU	40ATHFILBL2	40ATHFILNM2	40ATHFILST2
ASSEMBLY HARDWARE	91ATHBKHDW6	91ATHNMHDW5	91ATHSTHDW17
ANTI-TIP KIT	91ATHENSTIP	91ATHENSTIP	91ATHENSTIP
MENDING PLATE	91ATHSMNDPLT	91ATHSMNDPLT	91ATHSMNDPLT
LOCK	91ATHBLLOCK	91ATHNMLOCK	91ATHNMLOCK
KEY	91511ATHKEY	91511NIMKEY	91511NIMKEY
KNOBS	91ATHBLKNOB	91ATHNMKNOB	91ATHNMKNOB
HINGE	91511ATHHNG	91511ATHHNG	91511ATHHNG
CATCH	91ATHDRCTBS	91ATHDRCTBS	91ATHDRCTBS
LATCH	91ATHBLLATCH	91ATHNMLATCH	91ATHNMLATCH

Carefully unpack and familiarize yourself with all parts and diagrams to facilitate the assembly of your Athen Modular V2.

**TOOLS REQUIRED:**  
phillips screw driver, drill and 1/4" drill bit (not supplied)

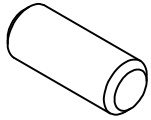
## ASSEMBLY HARDWARE

Athens Tuxedo Black - 91ATHBKHDW6

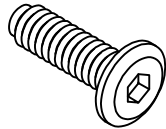
Athens Nimbus - 91ATHNMHDW5

Athens Stratus - 91ATHSTHDW17

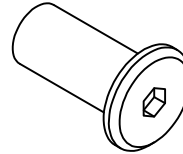
\* PARTS ARE NOT ABLE TO BE ORDERED, FOR ASSISTANCE PLEASE CONTACT YOUR LOCAL STORE OR ARHAUS CONCIERGE



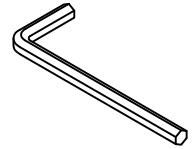
C. Dowel  $\varnothing 8 \times 20$   
( 2 pcs )



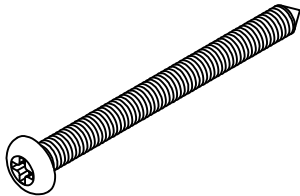
D. JCBC M6 x 20  
( 4 pcs )



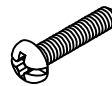
E. Sleeve Nut M6 x 19  
( 4 pcs )



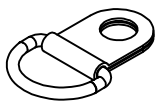
F. Allen Key  
( 2 pcs )



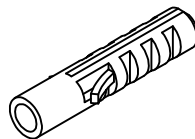
G. Screw PAB  $\varnothing 8 \times 1 \frac{1}{2}$ "  
( 1 pc )



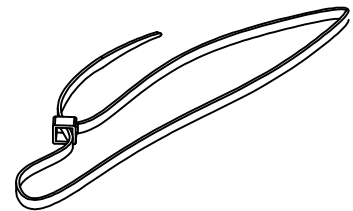
H. Screw PAB  $\varnothing 6 \times \frac{5}{8}$ "  
( 1 pc )



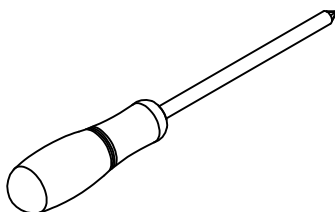
I. Wall Fitting / "D" Bracket  
( 2 pcs )



J. Plastic Anchor / Fischer S6  
( 1 pc )



K. Wall Strap / Plastic Tie 25 cm  
( 1 pc )



L. Phillips Screw Driver  
( Not Include )



M. Drill & 1/4 " Drill Bit  
( Not Include )



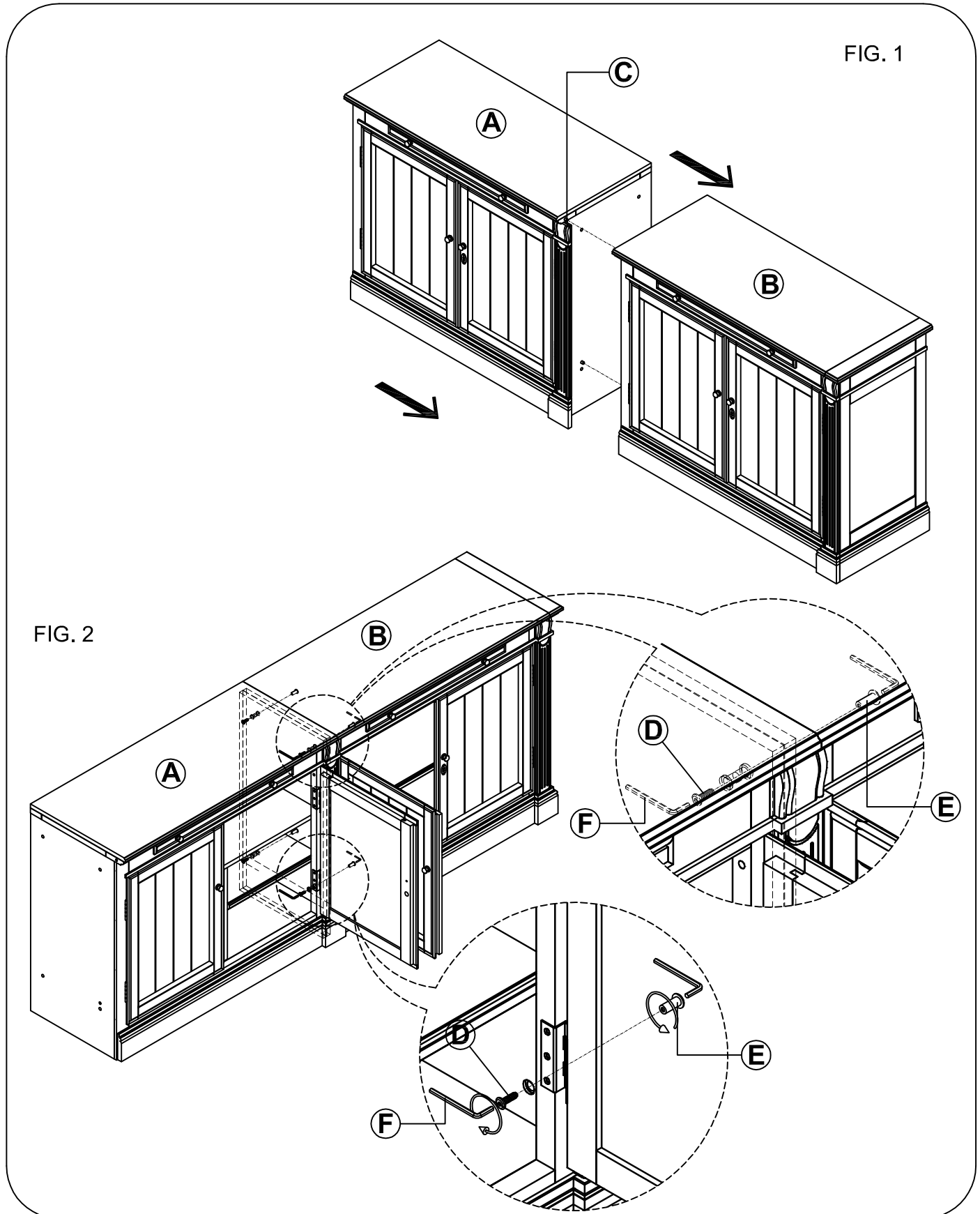
## STEP 1 " JOIN TWO MODULES "

### THIS STEP REQUIRES:

- A. 2 ATHENS SINGLE FILE BASE
- B. 2 ATHENS OTHER BASE UNIT
- C. DOWEL Ø8 x20 (2 pcs)

- D. JCBC M6 x 20 (4 pcs)
- E. SLEEVE NUT M6 x 19 (4 pcs)
- F. ALLEN KEY (2 pcs)

Note : Module B are exchangeable with the other Modular



## STEP 2 " SAFETY MOUNTING ASSEMBLY "

### THIS STEP REQUIRES:

G. SCREW  $\varnothing 8 \times 1 \frac{1}{2}$ "

H. SCREW  $\varnothing 6 \times 5/8$ "

I. WALL FITTING/"D" BRACKET

J. PLASTIC ANCHOR / FISCHER S6

K. WALL STRAP / PLASTIC TIE 25 cm

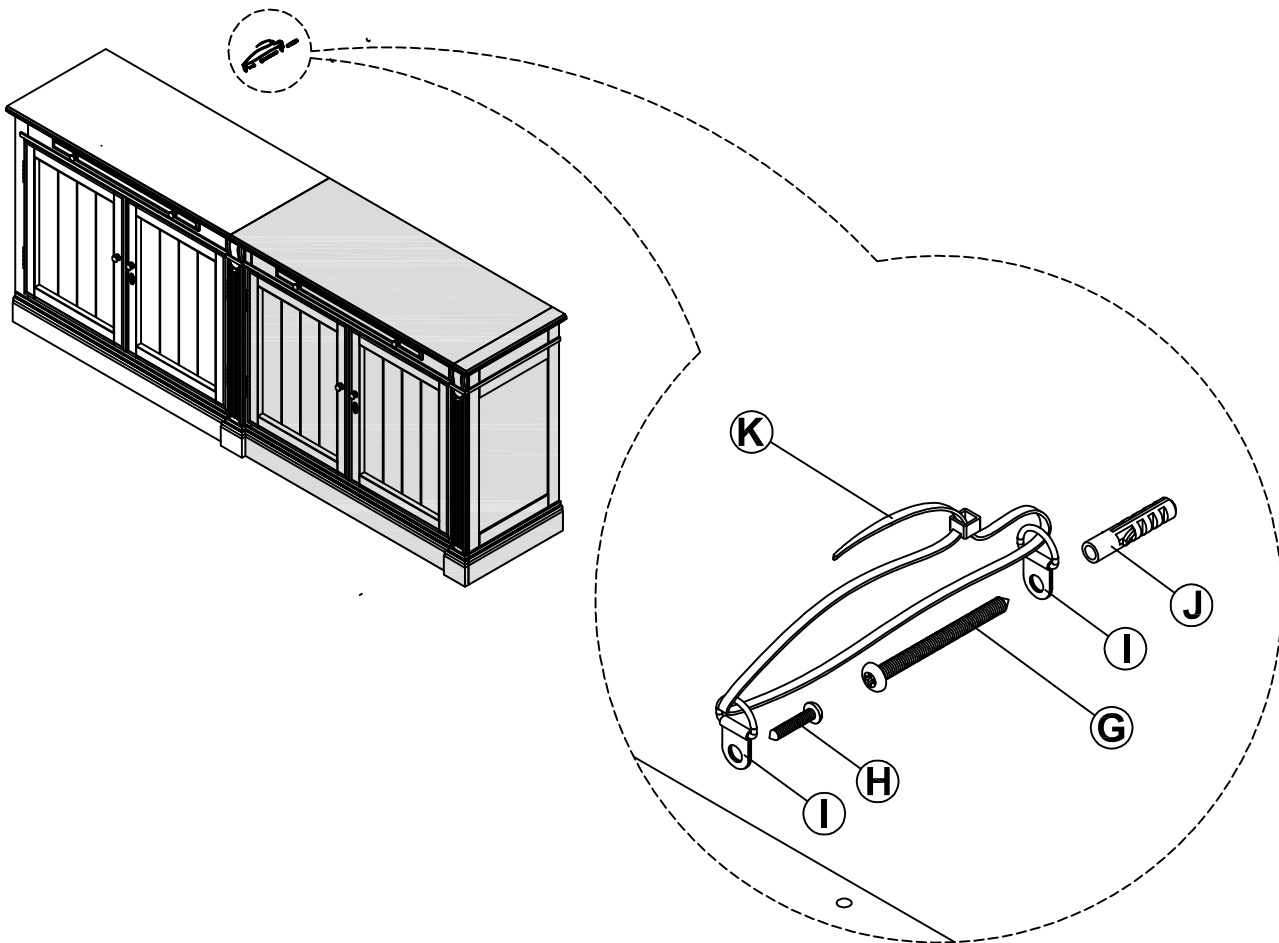
L. PHILLIPS SCREW DRIVER (NOT INCLUDED)

M. DRILL & 1/4" DRILL BIT (NOT INCLUDED)

### Installation Instructions:

For added safety and stability, it is recommended that the wall mounting hardware be installed. For safe mounting, it is essential to use wall anchors appropriate to your wall type (i.e. Plaster, drywall, concrete, etc.). Mount to wood studs whenever possible.

- Attach **1 pc of wall fitting** to furniture as shown, using **small screw**.
- Determine the final position for the furniture. Mark position on the wall approximately 2" below the bracket mounted to the back of the unit.
- Drill a hole in the wall stud. If the wall stud is not available, drill a hole in the wall that is slightly smaller in diameter than the anchor. Gently tap the **plastic anchor** until the flange of the anchor is flush with the wall.
- Attach the **wall fitting** to the wall by inserting **large screw** through the wall fitting and into the **plastic anchor** in the wall.
- Place the unit so the wall fitting on the back edge is aligned with the wall fitting on the wall.
- Lace one end of the **wall strap** through both fittings, and into the other end of the strap.
- Pull the strap tightly until secure.

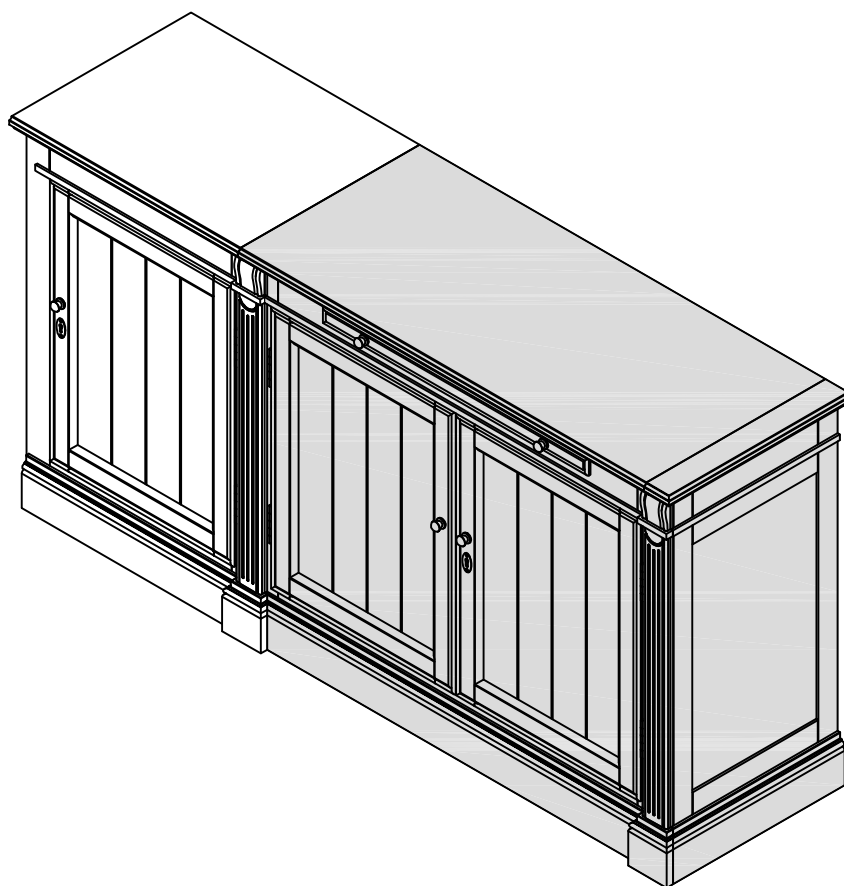


**Any damage incurred to the furniture or the wall as a result of improper installation of this restraint will be the responsibility of the owner.**

# ASSEMBLY INSTRUCTIONS

for

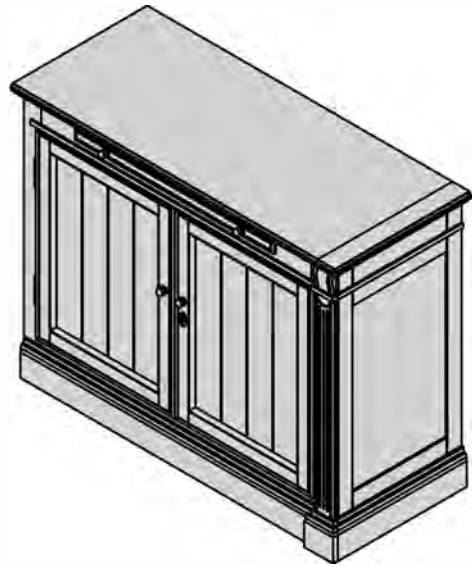
## 2 ATHENS NARROW MODULAR BASE



Carefully unpack and familiarize yourself with all parts and diagrams to facilitate the assembly of your Athens Modular V2.

**TOOLS REQUIRED:**  
 phillips screw driver, drill and 1/4" drill bit (not supplied)

## CABINET PARTS



**A. 2 Athens - Narrow Modular Base ( 1 pc )**  
 Athens Tuxedo Black - 40ATHNWBSBL2  
 Athens Nimbus - 40ATHNWBSNM2  
 Athens Stratus - 40ATHNWBSST2

**B. 2 Athens - Other Base Unit ( 1 pc )**

DESCRIPTION	BLACK	NIMBUS	STRATUS
STOCK SKU	40ATHNWBSBL2	40ATHNWBSNM2	40ATHNWBSST2
ASSEMBLY HARDWARE	91ATHBKHDW7	91ATHNMHDW3	91ATHSTHDW11
ANTI-TIP KIT	91ATHENSTIP	91ATHENSTIP	91ATHENSTIP
MENDING PLATE	91ATHSMNDPLT	91ATHSMNDPLT	91ATHSMNDPLT
LOCK	91ATHBLLOCK	91ATHNMLOCK	91ATHNMLOCK
KEY	91511ATHKEY	91511NIMKEY	91511NIMKEY
KNOBS	91ATHBLKNOB	91ATHNMKNOB	91ATHNMKNOB
HINGE	91511ATHHNG	91511ATHHNG	91511ATHHNG
CATCH	91ATHDRCTBS	91ATHDRCTBS	91ATHDRCTBS
LATCH	91ATHBLATCH	91ATHNMLATCH	91ATHNMLATCH
SHELF 13"D	--	--	--
SHELF SUPPORT 12"D	91ATHBLSHS12	91ATHNMSHS12	--
HOLE COVERING	91511IDBLK	--	--

Carefully unpack and familiarize yourself with all parts and diagrams to facilitate the assembly of your Athens Modular V2.

**TOOLS REQUIRED:**  
phillips screw driver, drill and 1/4" drill bit (not supplied)

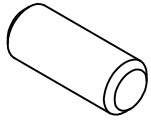
## ASSEMBLY HARDWARE

Athens Tuxedo Black - 91ATHBKHDW7

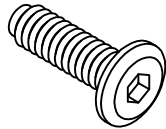
Athens Nimbus - 91ATHNMHDW3

Athens Stratus - 91ATHSTHDW11

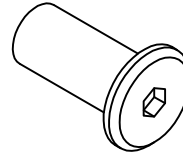
\* PARTS ARE NOT ABLE TO BE ORDERED, FOR ASSISTANCE PLEASE CONTACT YOUR LOCAL STORE OR ARHAUS CONCIERGE



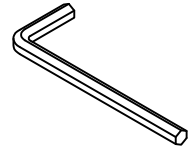
C. Dowel  $\varnothing 8 \times 20$   
( 2 pcs )



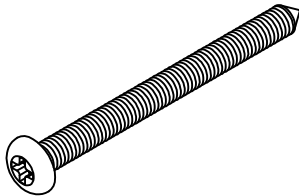
D. JCBC M6 x 20  
( 4 pcs )



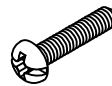
E. Sleeve Nut M6 x 19  
( 4 pcs )



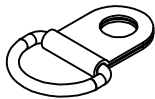
F. Allen Key  
( 2 pcs )



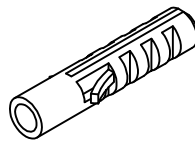
G. Screw PAB  $\varnothing 8 \times 1 \frac{1}{2}$ "  
( 1 pc )



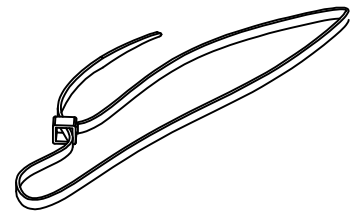
H. Screw PAB  $\varnothing 6 \times \frac{5}{8}$ "  
( 1 pc )



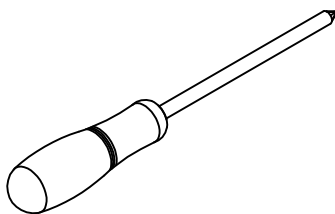
I. Wall Fitting / "D" Bracket  
( 2 pcs )



J. Plastic Anchor / Fischer S6  
( 1 pc )



K. Wall Strap / Plastic Tie 25 cm  
( 1 pc )



L. Philips Screw Driver  
( Not Include )



M. Drill & 1/4 " Drill Bit  
( Not Include )

## STEP 1 " JOIN TWO MODULES "

### THIS STEP REQUIRES:

- A. 2 ATHENS NARROW SINGLE BASE
- B. 2 ATHENS OTHER BASE UNIT
- C. DOWEL Ø8 x20 (2 pcs)

- D. JCBC M6 x 20 (4 pcs)
- E. SLEEVE NUT M6 x 19 (4 pcs)
- F. ALLEN KEY (2 pcs)

Note : Module B are exchangeable with the other Module

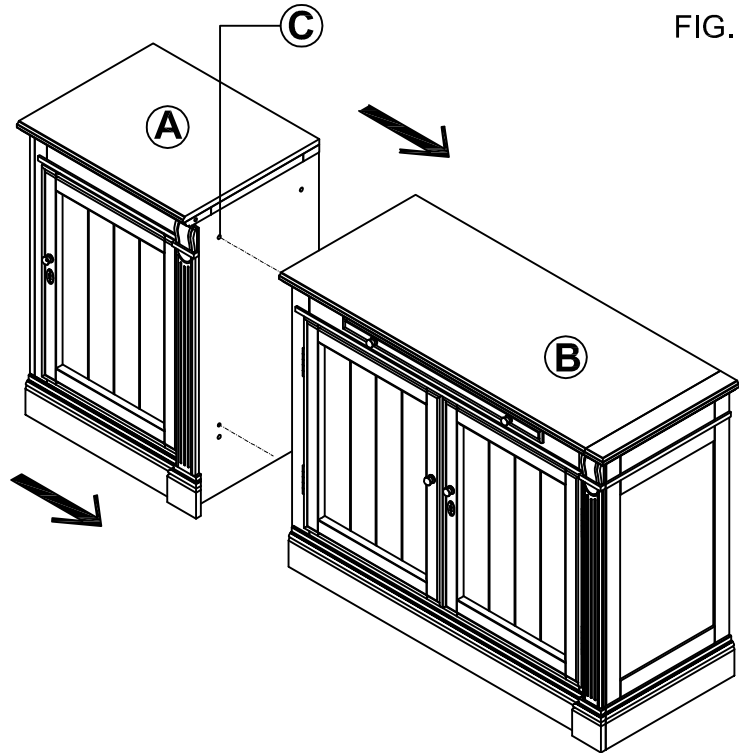
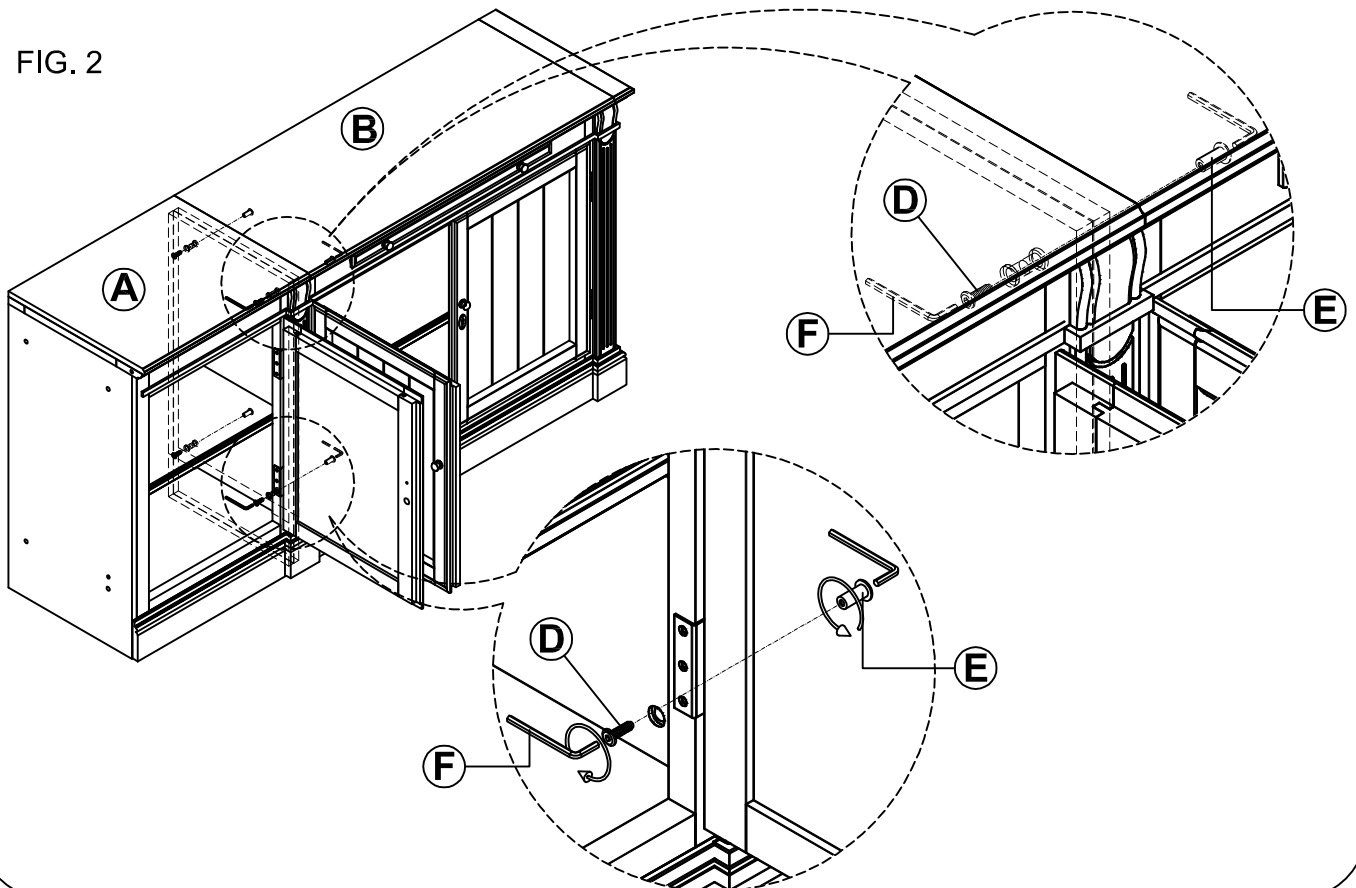


FIG. 2



## STEP 3 " SAFETY MOUNTING ASSEMBLY "

### THIS STEP REQUIRES:

G. SCREW Ø8 x 1 1/2"

H. SCREW Ø6 x 5/8"

I. WALL FITTING/"D" BRACKET

J. PLASTIC ANCHOR / FISCHER S6

K. WALL STRAP / PLASTIC TIE 25 cm

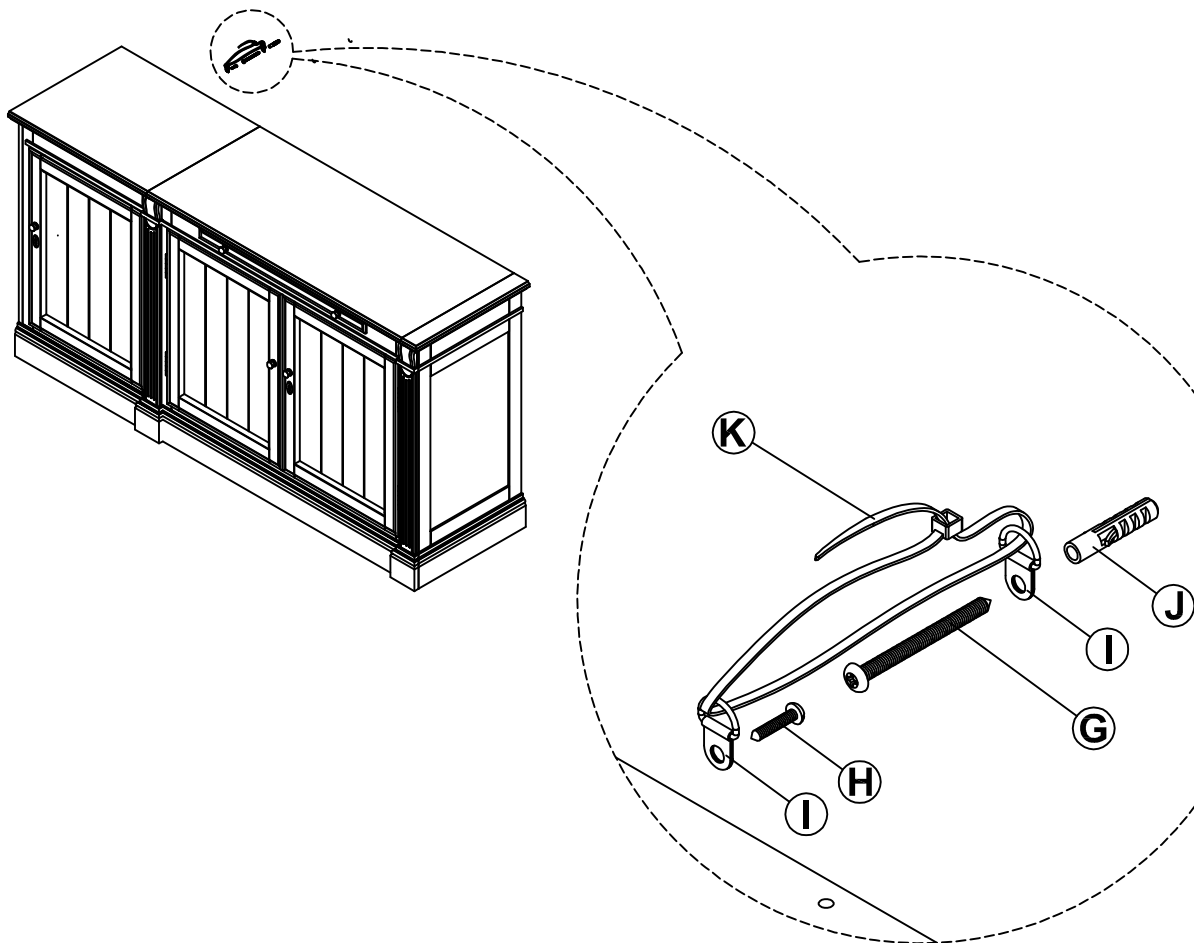
L. PHILLIPS SCREW DRIVER (NOT INCLUDED)

M. DRILL & 1/4" DRILL BIT (NOT INCLUDED)

### Installation Instructions:

For added safety and stability, it is recommended that the wall mounting hardware be installed. For safe mounting, it is essential to use wall anchors appropriate to your wall type (i.e. Plaster, drywall, concrete, etc.). Mount to wood studs whenever possible.

- Attach **1 pc of wall fitting** to furniture as shown, using **small screw**.
- Determine the final position for the furniture. Mark position on the wall approximately 2" below the bracket mounted to the back of the unit.
- Drill a hole in the wall stud. If the wall stud is not available, drill a hole in the wall that is slightly smaller in diameter than the anchor. Gently tap the **plastic anchor** until the flange of the anchor is flush with the wall.
- Attach the **wall fitting** to the wall by inserting **large screw** through the wall fitting and into the **plastic anchor** in the wall.
- Place the unit so the wall fitting on the back edge is aligned with the wall fitting on the wall.
- Lace one end of the **wall strap** through both fittings, and into the other end of the strap.
- Pull the strap tightly until secure.

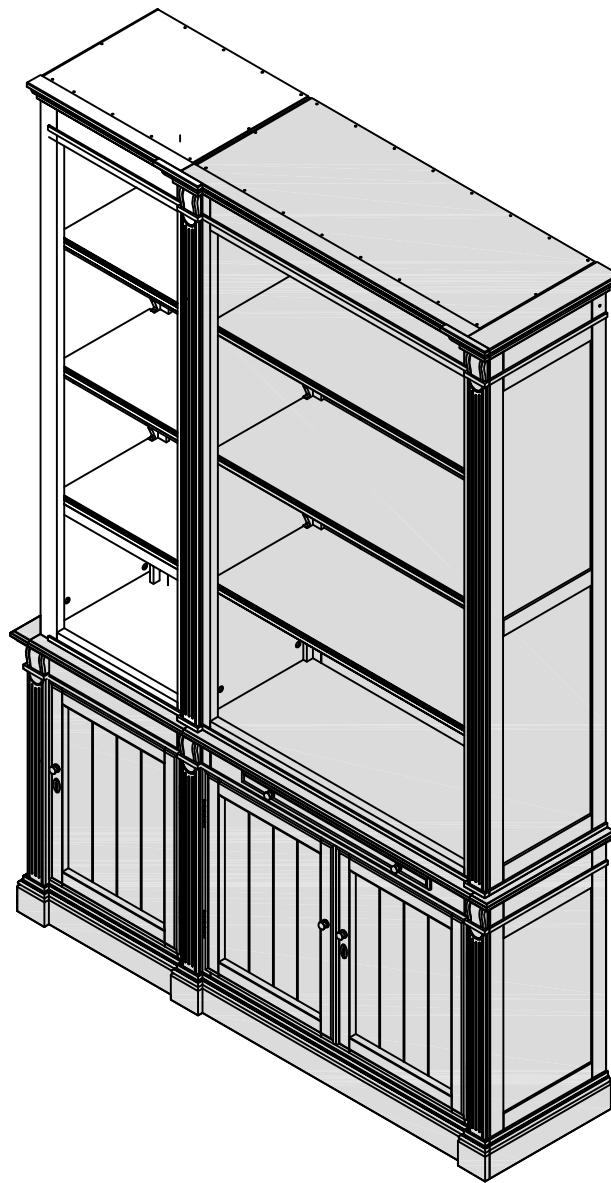


**Any damage incurred to the furniture or the wall as a result of improper installation of this restraint will be the responsibility of the owner.**

# ASSEMBLY INSTRUCTIONS

for

## 2 ATHENS NARROW BOOKCASE TOP

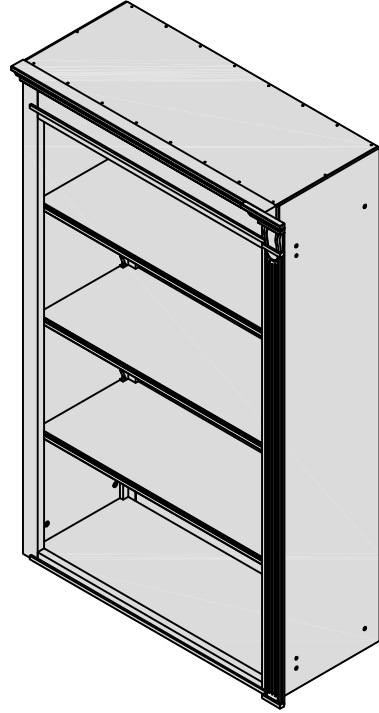
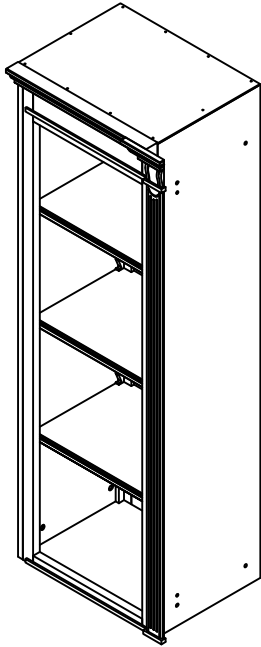




Carefully unpack and familiarize yourself with all parts and diagrams to facilitate the assembly of your Athens Modular V2.

**TOOLS REQUIRED:**  
phillips screw driver, drill and 1/4" drill bit (not supplied)

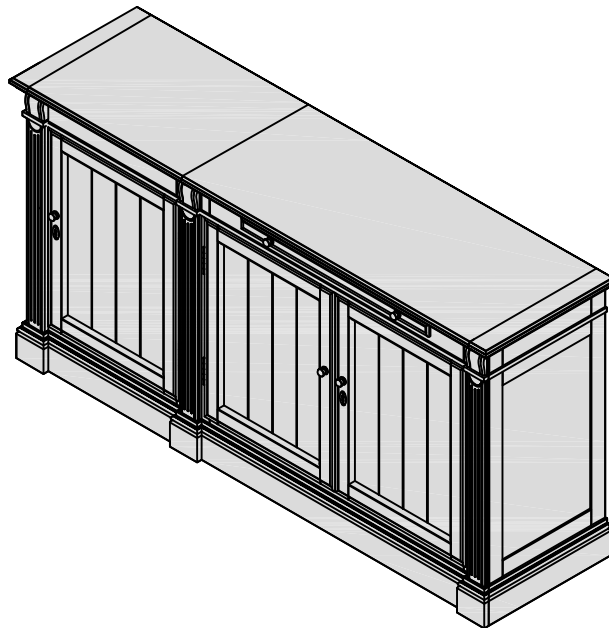
## CABINET PARTS



**A. 2 Athens - Narrow Bookcase Top ( 1 pc )**

Athens Tuxedo Black - 40ATHNWTPL2  
Athens Nimbus - 40ATHNWTPLM2  
Athens Stratus - 40ATHNWTPLS2

**B. 2 Athens - Other Top Unit ( 1 pc )**



**C. 2 Athens - Base Assembly ( 1 Set )**

Carefully unpack and familiarize yourself with all parts and diagrams to facilitate the assembly of your Athens Modular V2.

**TOOLS REQUIRED:**  
 phillips screw driver, drill and 1/4" drill bit (not supplied)

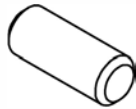
## ASSEMBLY HARDWARE

Athens Tuxedo Black - 91ATHBKHDW8

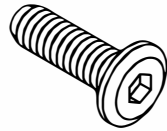
Athens Nimbus - 91ATHNMHDW4

Athens Stratus - 91ATHSTHDW12

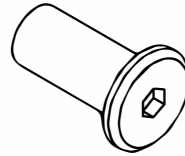
\* PARTS ARE NOT ABLE TO BE ORDERED, FOR ASSISTANCE PLEASE CONTACT YOUR LOCAL STORE OR ARHAUS CONCIERGE



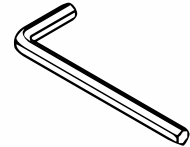
D. Dowel Ø8 x 20 ( 2 pcs )



E. JCBC M6 x 20 ( 4 pcs )



F. Sleeve Nut M6 x 19 ( 4 pcs )



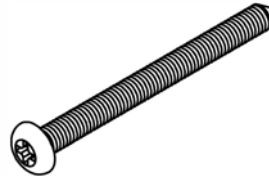
G. Allen Key ( 2 pcs )



H. Connector Bar ( 2 pcs ) attached



I. Screw Ø6 x 3/4" ( 4 pcs ) attached



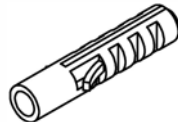
J. Screw PAB Ø8 x 1 1/2" ( 1 pc )



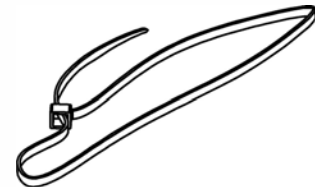
K. Screw PAB Ø6 x 5/8" ( 1 pc )



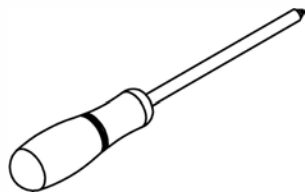
L. Wall Fitting / "D" Bracket ( 2 pcs )



M. Plastic Anchor / Fischer S6 ( 1 pc )



N. Wall Strap / Plastic Tie 25 cm ( 1 pc )



O. Phillips Screw Driver ( Not Include )



P. Drill & 1/4 " Drill Bit ( Not Include )

DESCRIPTION	BLACK	NIMBUS	STRATUS
STOCK SKU	40ATHNWTPL2	40ATHNWTPLM2	40ATHNWTPLS2
ASSEMBLY HARDWARE	91ATHBKHDW8	91ATHNMHDW4	91ATHSTHDW12
ANTI-TIP KIT	91ATHENSTIP	91ATHENSTIP	91ATHENSTIP
MENDING PLATE	91ATHSMNDPLT	91ATHSMNDPLT	91ATHSMNDPLT
SHELF 13"D	--	--	--
SHELF SUPPORT 12"D	91ATHBLSHS12	91ATHNMMSHS12	--
HOLE COVERING	9151LIDBLK	--	--

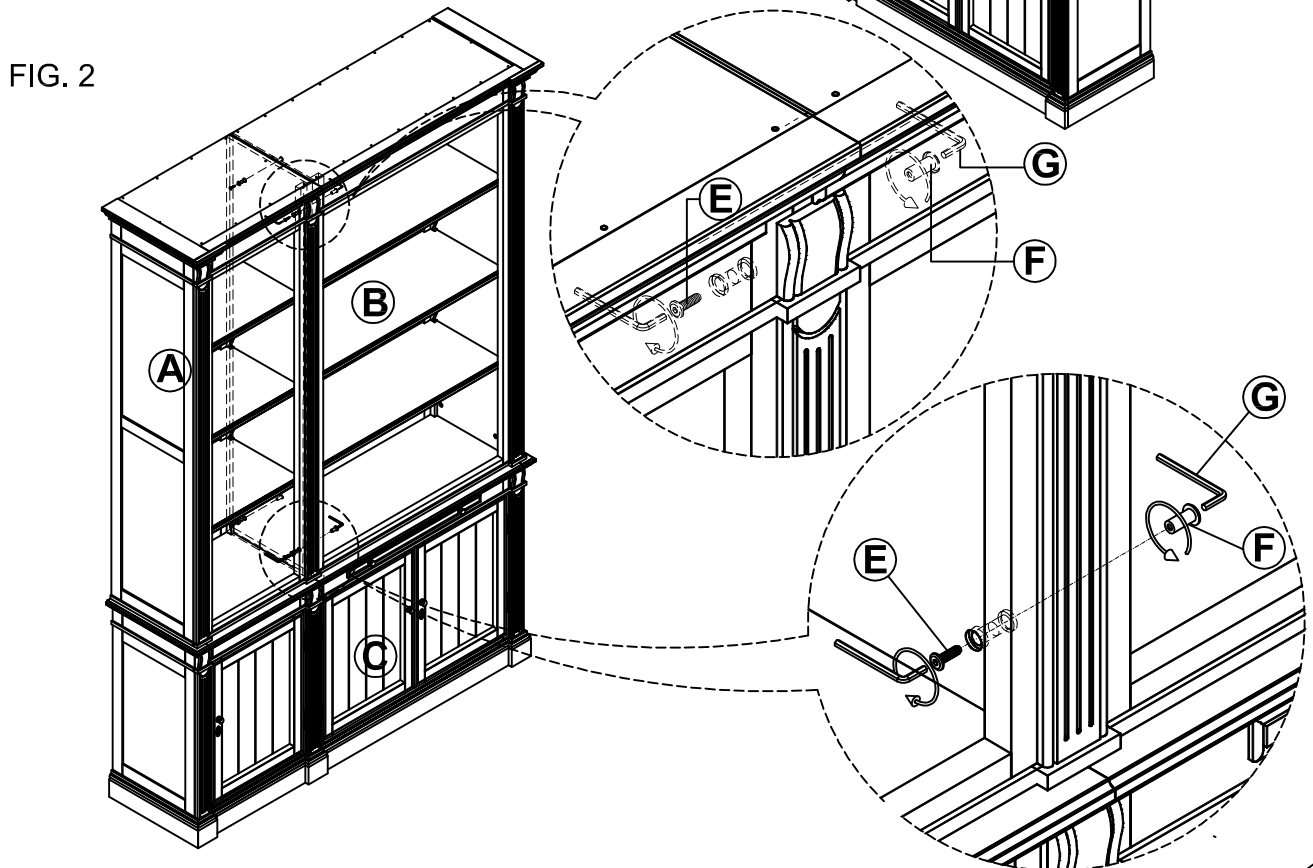
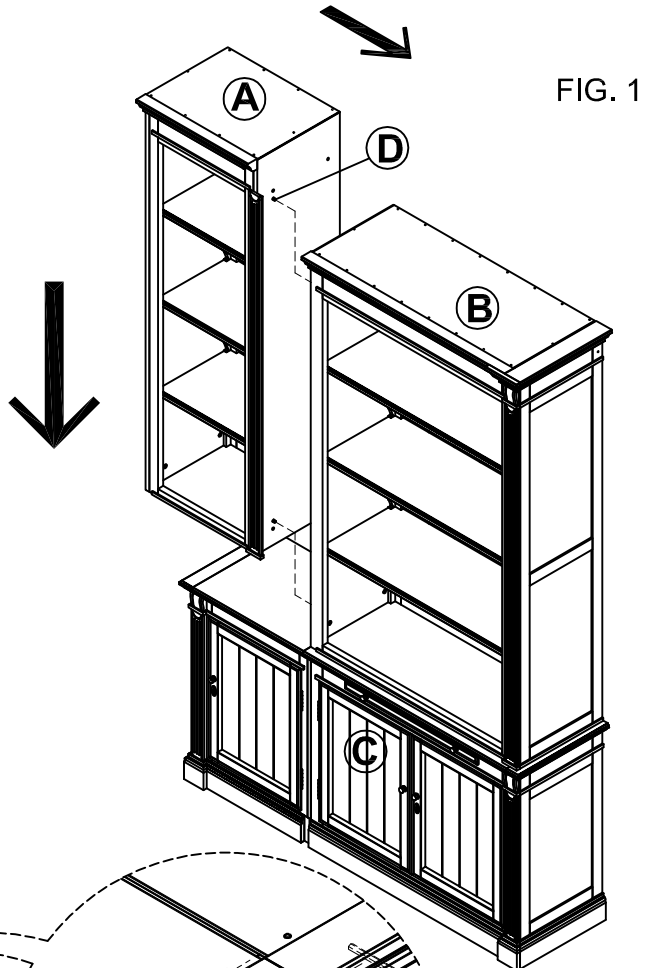
## STEP 1 " JOIN TWO MODULES "

### THIS STEP REQUIRES:

- A. 2 ATHENS NARROW BOOKCASE TOP
- B. 2 ATHENS OTHER TOP UNIT
- C. BASE UNIT ASSEMBLY

- D. DOWEL Ø8 x20 (2 pcs)
- E. JCBC M6 x 20 (4 pcs)
- F. SLEEVE NUT M6 x 19 (4 pcs)
- G. ALLEN KEY (2 pcs)

*Note : Module B and C are exchangeable with the other Module*



## STEP 2 " SECURE - 2 ATHENS BOOKCASE TOP "

### THIS STEP REQUIRES:

H. CONNECTOR BAR (attached; 2 pcs)

I. SCREW Ø6 x 3/4" (attached; 4 pcs)

O. PHILLIPS SCREW DRIVER ( NOT INCLUDED)

FIG. 3

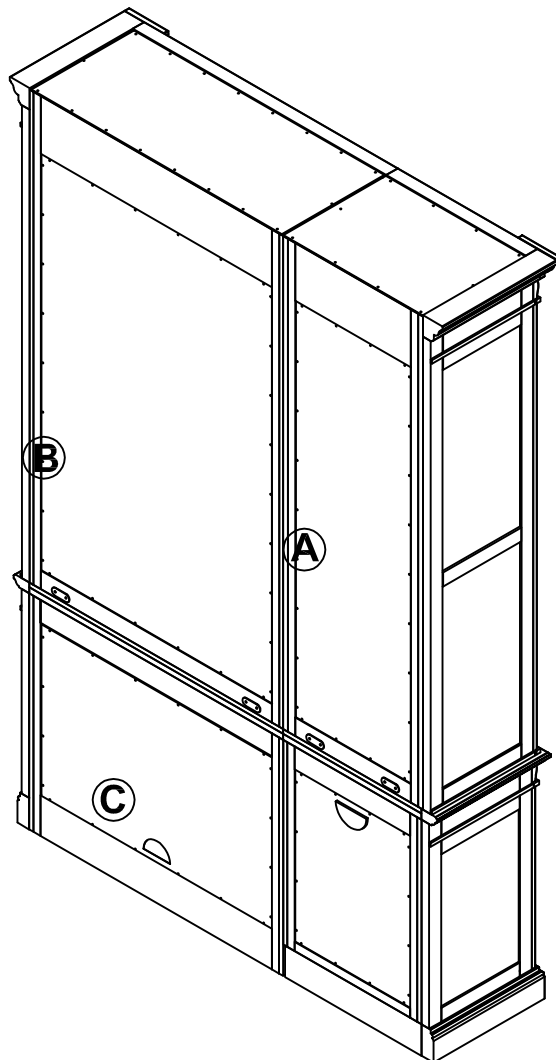
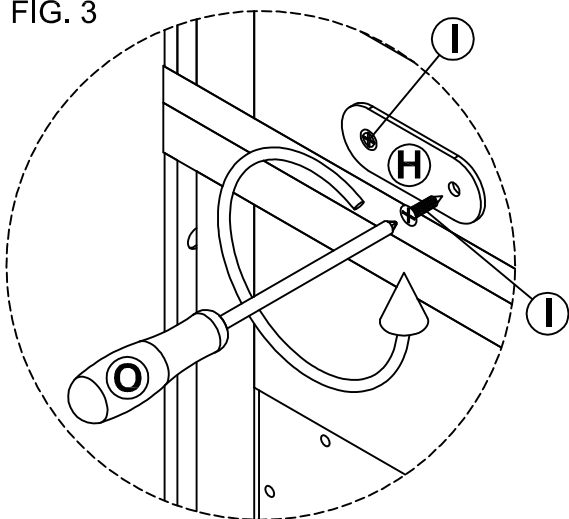


FIG. 3

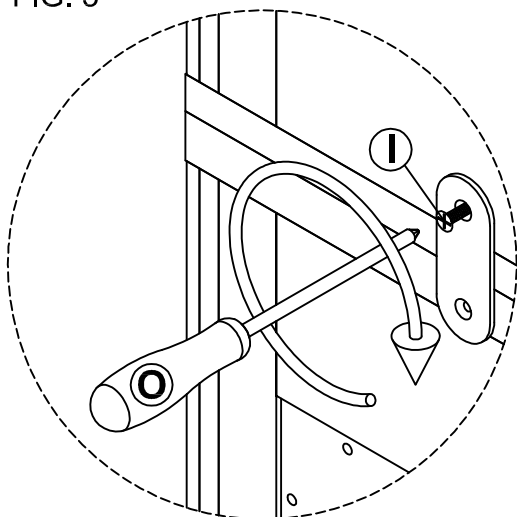
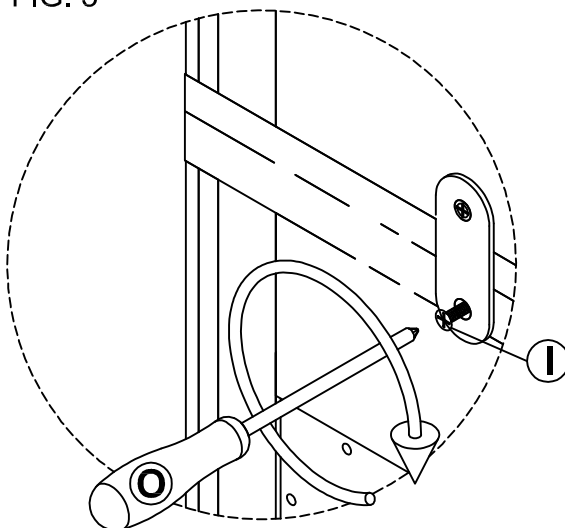


FIG. 3



### STEP 3 " SAFETY MOUNTING ASSEMBLY "

#### THIS STEP REQUIRES:

J. SCREW Ø8 x 1 1/2"

K. SCREW Ø6 x 5/8"

L. WALL FITTING/"D" BRACKET

M. PLASTIC ANCHOR / FISCHER S6

N. WALL STRAP / PLASTIC TIE 25 cm

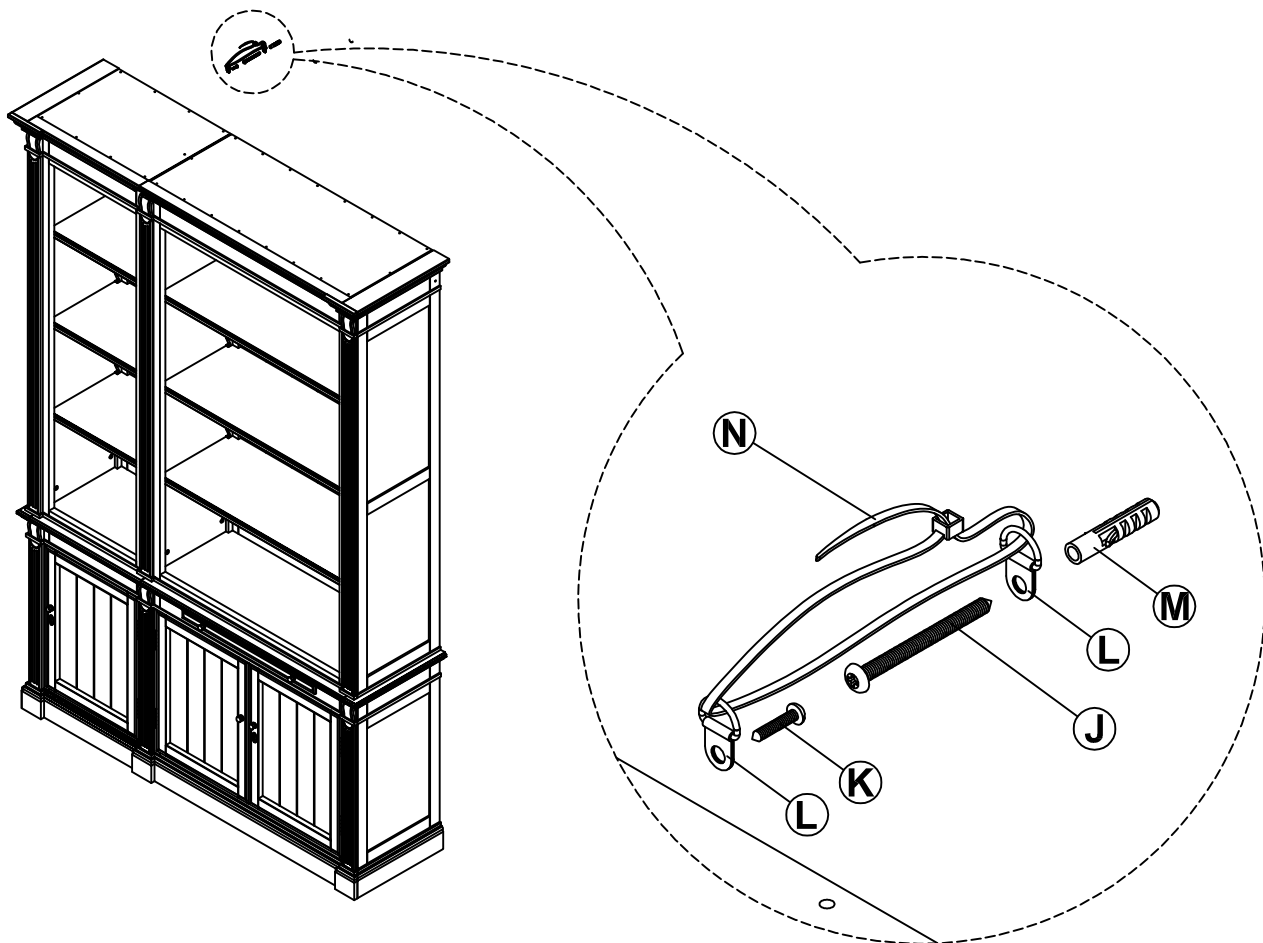
O. PHILLIPS SCREW DRIVER (NOT INCLUDED)

P. DRILL & 1/4" DRILL BIT (NOT INCLUDED)

#### Installation Instructions:

For added safety and stability, it is recommended that the wall mounting hardware be installed. For safe mounting, it is essential to use wall anchors appropriate to your wall type (i.e. Plaster, drywall, concrete, etc.). Mount to wood studs whenever possible.

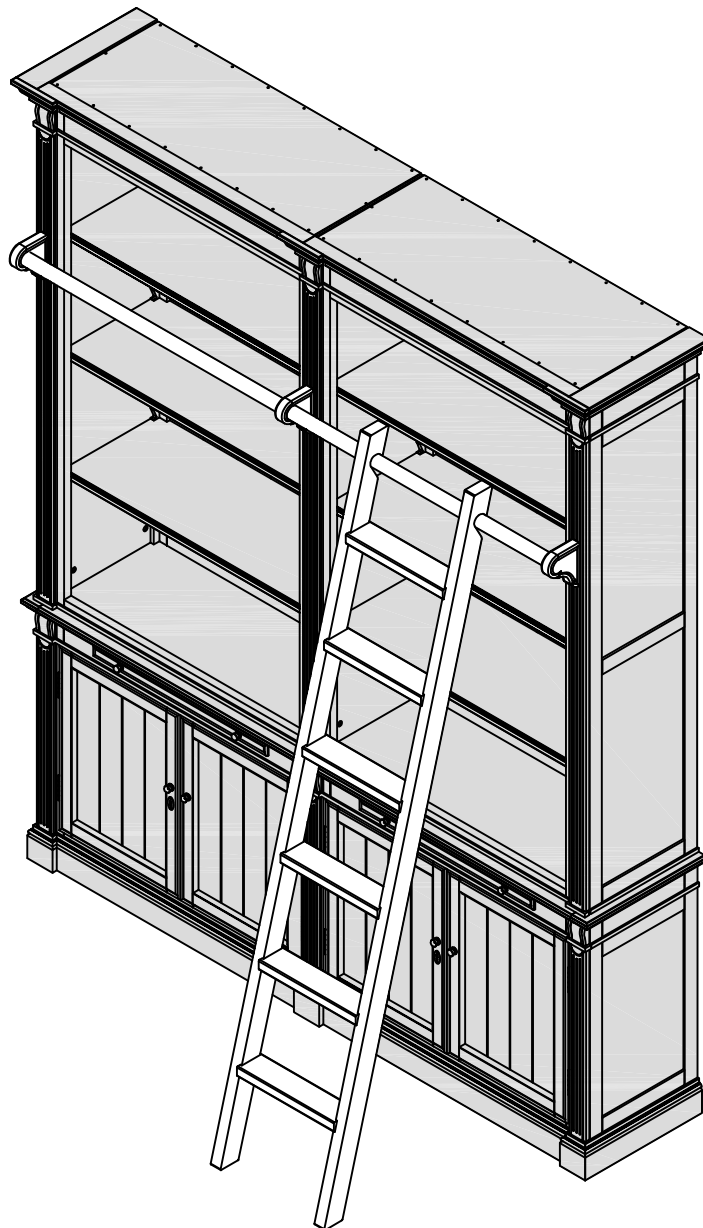
- Attach **1 pc of wall fitting** to furniture as shown, using **small screw**.
- Determine the final position for the furniture. Mark position on the wall approximately 2" below the bracket mounted to the back of the unit.
- Drill a hole in the wall stud. If the wall stud is not available, drill a hole in the wall that is slightly smaller in diameter than the anchor. Gently tap the **plastic anchor** until the flange of the anchor is flush with the wall.
- Attach the **wall fitting** to the wall by inserting **large screw** through the wall fitting and into the **plastic anchor** in the wall.
- Place the unit so the wall fitting on the back edge is aligned with the wall fitting on the wall.
- Lace one end of the **wall strap** through both fittings, and into the other end of the strap.
- Pull the strap tightly until secure.



**Any damage incurred to the furniture or the wall as a result of improper installation of this restraint will be the responsibility of the owner.**

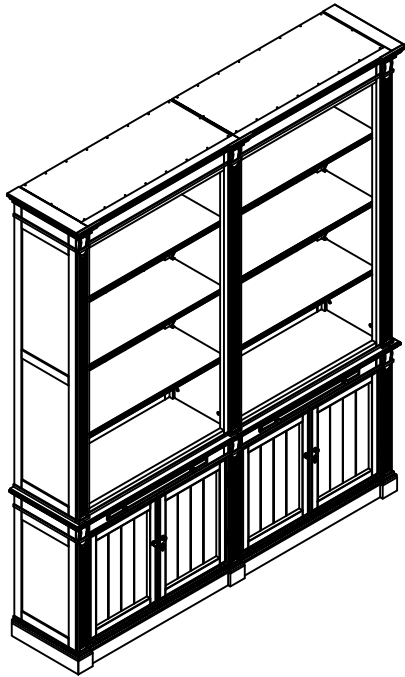
# ASSEMBLY INSTRUCTIONS

## 2 ATHENS DOUBLE BOOKCASE LADDER

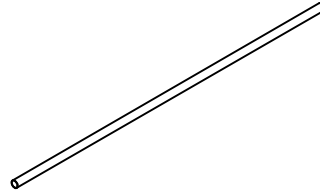


Carefully unpack and familiarize yourself with all parts and diagrams to facilitate the assembly of your Modular - Ladder & Brass for Bookcase.

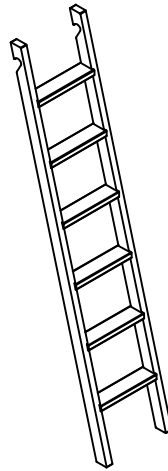
## CABINET PARTS



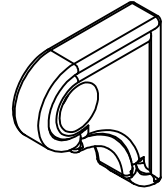
A. Bookcase Library ( 1 pc )



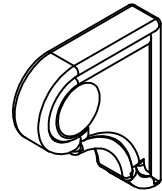
B. Ladder Rail ( 1 pc )



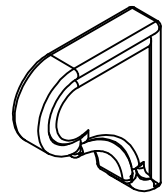
C. Ladder ( 1 pc )



D. Left Hanger Pad ( 1 pc )



E. Middle Hanger Pad ( 1 pc )



F. Right Hanger Pad ( 1 pc )

### 2 Athens - Double Bookcase Ladder Set ( 1 Set )

Athens Tuxedo Black - 40ATHDBLPBL2

Athens Nimbus - 40ATHDBLPNM2

Athens Stratus - 40ATHDBLPST2

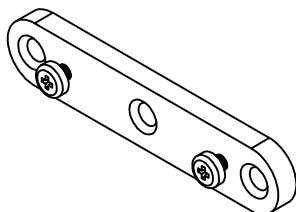
## ASSEMBLY HARDWARE

Athens Tuxedo Black - 91ATHBKHDW15

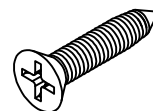
Athens Nimbus - 91ATHNMHDW2

Athens Stratus - 91ATHSTHDW4

\* PARTS ARE NOT ABLE TO BE ORDERED, FOR ASSISTANCE PLEASE CONTACT YOUR LOCAL STORE OR ARHAUS CONCIERGE



G. Hanger Plate + Bolt ( 3 set )



H. Screw FAB Ø8 x 3/4" ( 9 pcs )

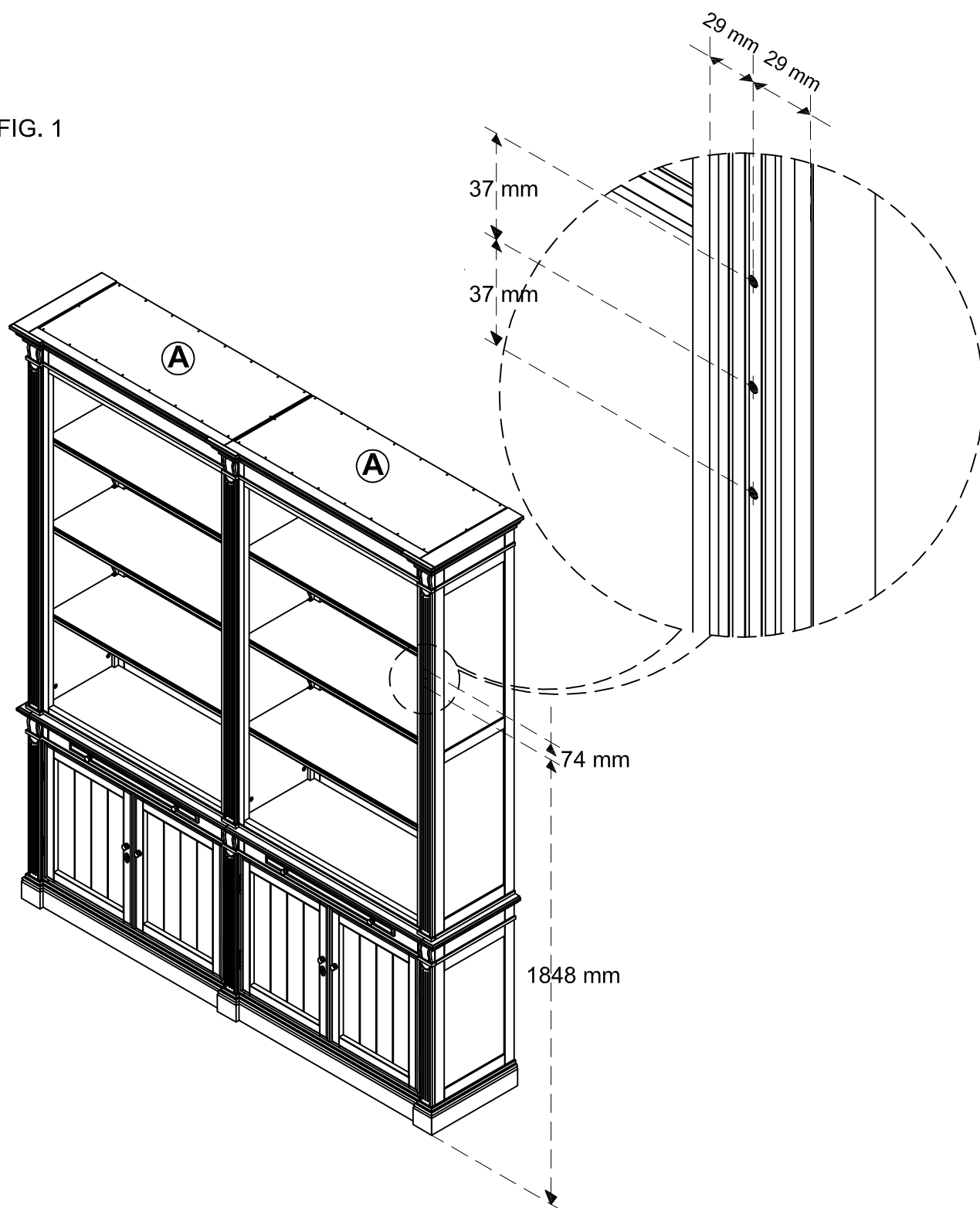
# STEP 1 " ATTACH MODULAR - LADDER & BRASS FOR BOOKCASE"

## THIS STEP REQUIRES:

### A. BOOKCASE LIBRARY

- 1 • Mark the drill positions as showed in slice drawing, from floor to Modular - Connector Panel Top  
• Drill to suit type of wood screw

FIG. 1



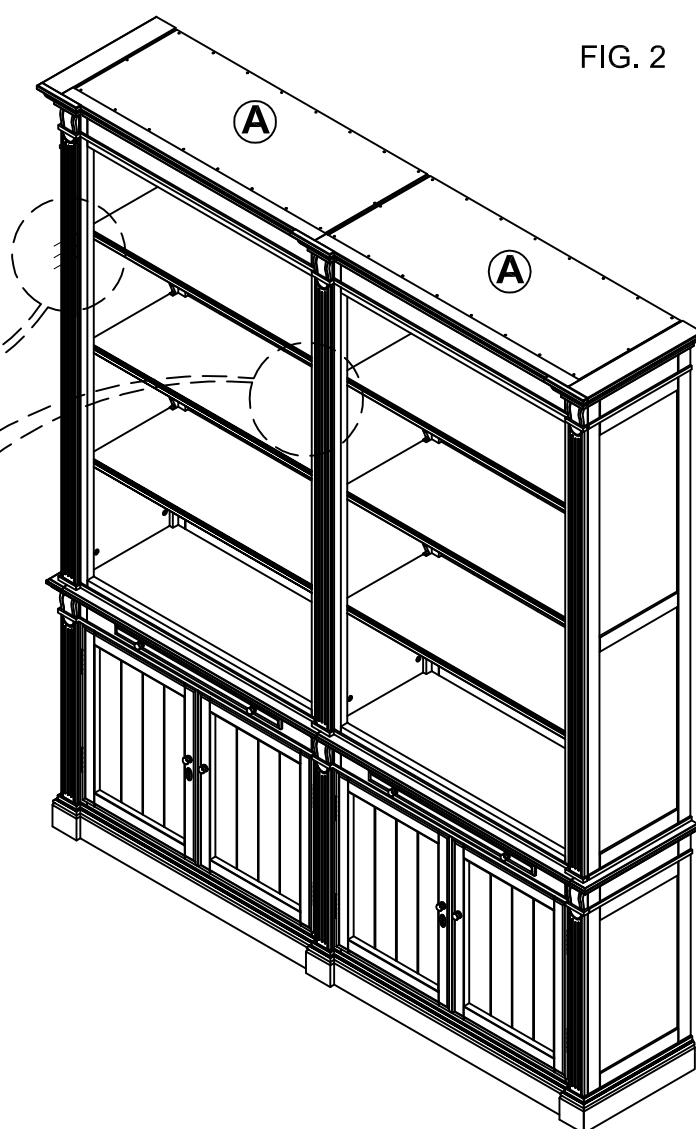
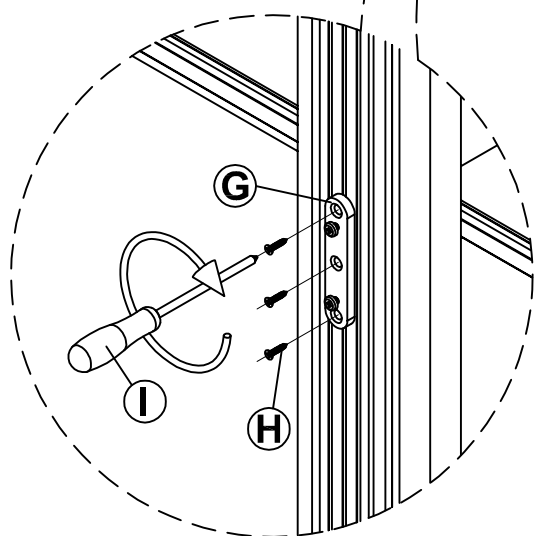
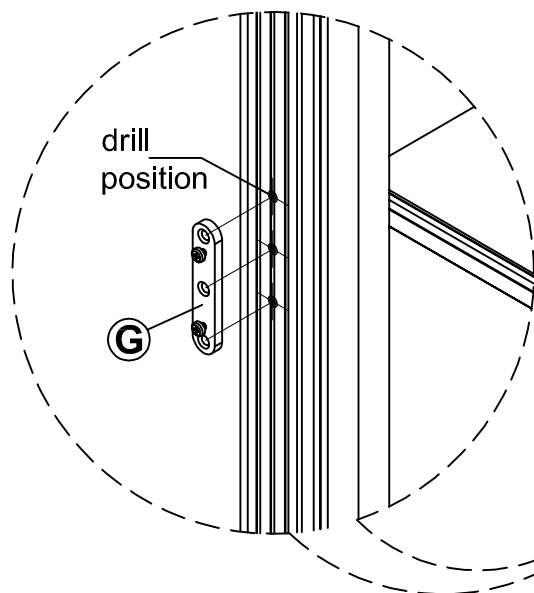


## STEP 2 " ATTACH MODULAR - LADDER & BRASS FOR BOOKCASE"

### THIS STEP REQUIRES:

- A. BOOKCASE LIBRARY
- G. HANGER PLATE + BOLT
- H. SCREW FAB Ø8 x 3/4"
- I. PHILLIPS SCREW DRIVER ( NOT INCLUDED)

- ② • Place the Hanger Plate, so it alligns with the drill position



- Insert the proper screw (FAB Ø8 x 3/4") then fix it tightly

STEP 3 " ATTACH MODULAR - LADDER & BRASS FOR BOOKCASE"

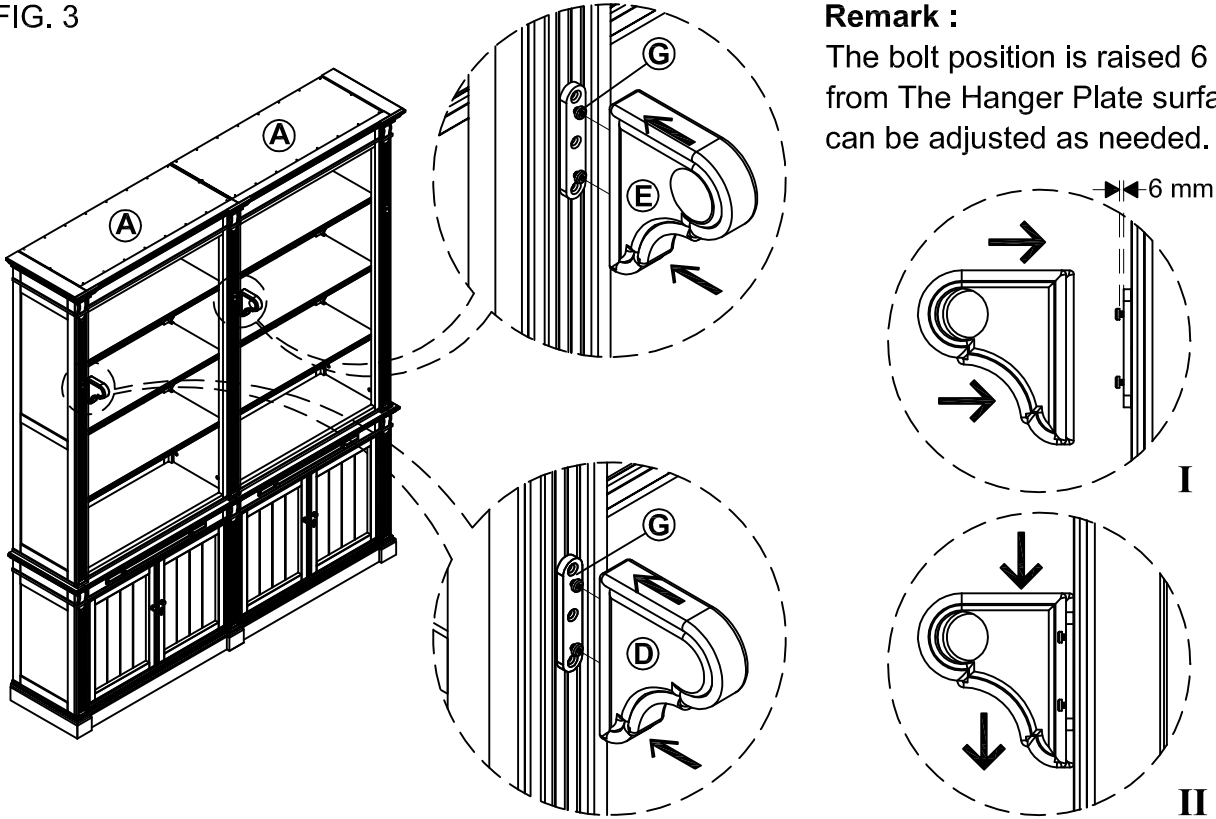
**THIS STEP REQUIRES:**

- A. BOOKCASE LIBRARY
- B. LADDER RAIL
- D. LEFT HANGER PAD
- E. MIDDLE HANGER PAD

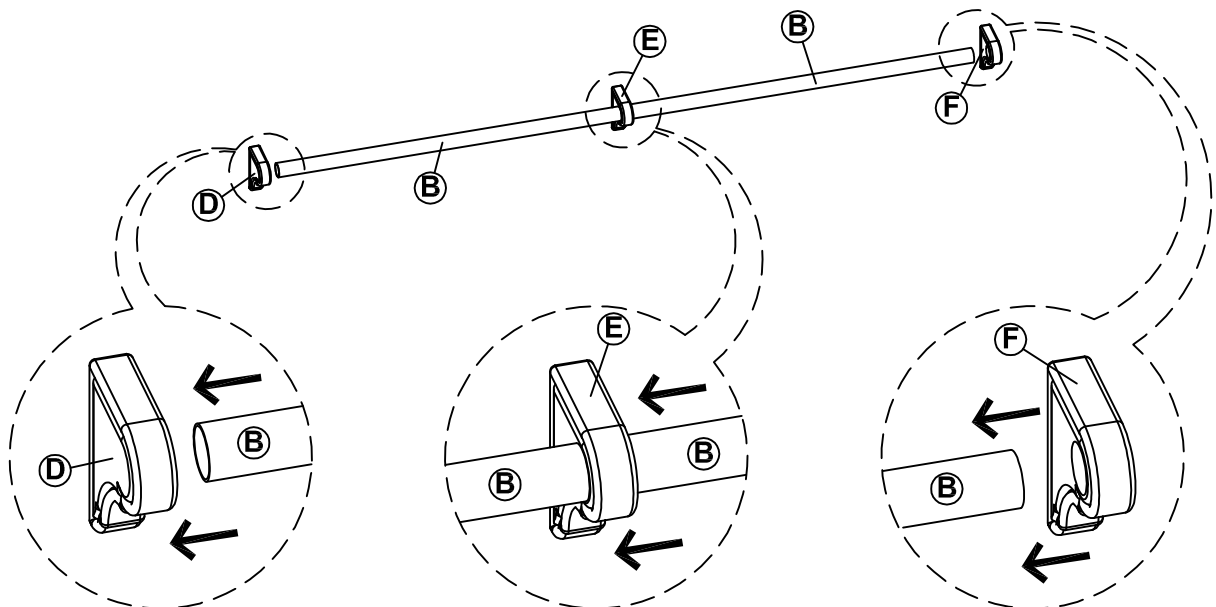
- F. RIGHT HANGER PAD
- G. PLAT HANGER + BOLT
- I. PHILLIPS SCREW DRIVER ( NOT INCLUDED)

- ③ • Place the Left Hanger Pad (D) and Middle Hanger Pad (E) on the proper position as shown in the Fig. 3.

FIG. 3



- Insert the Ladder Rail (B) through Left Hanger Pad (D) and Middle Hanger Pad (E) then Right Hanger Pad (F).



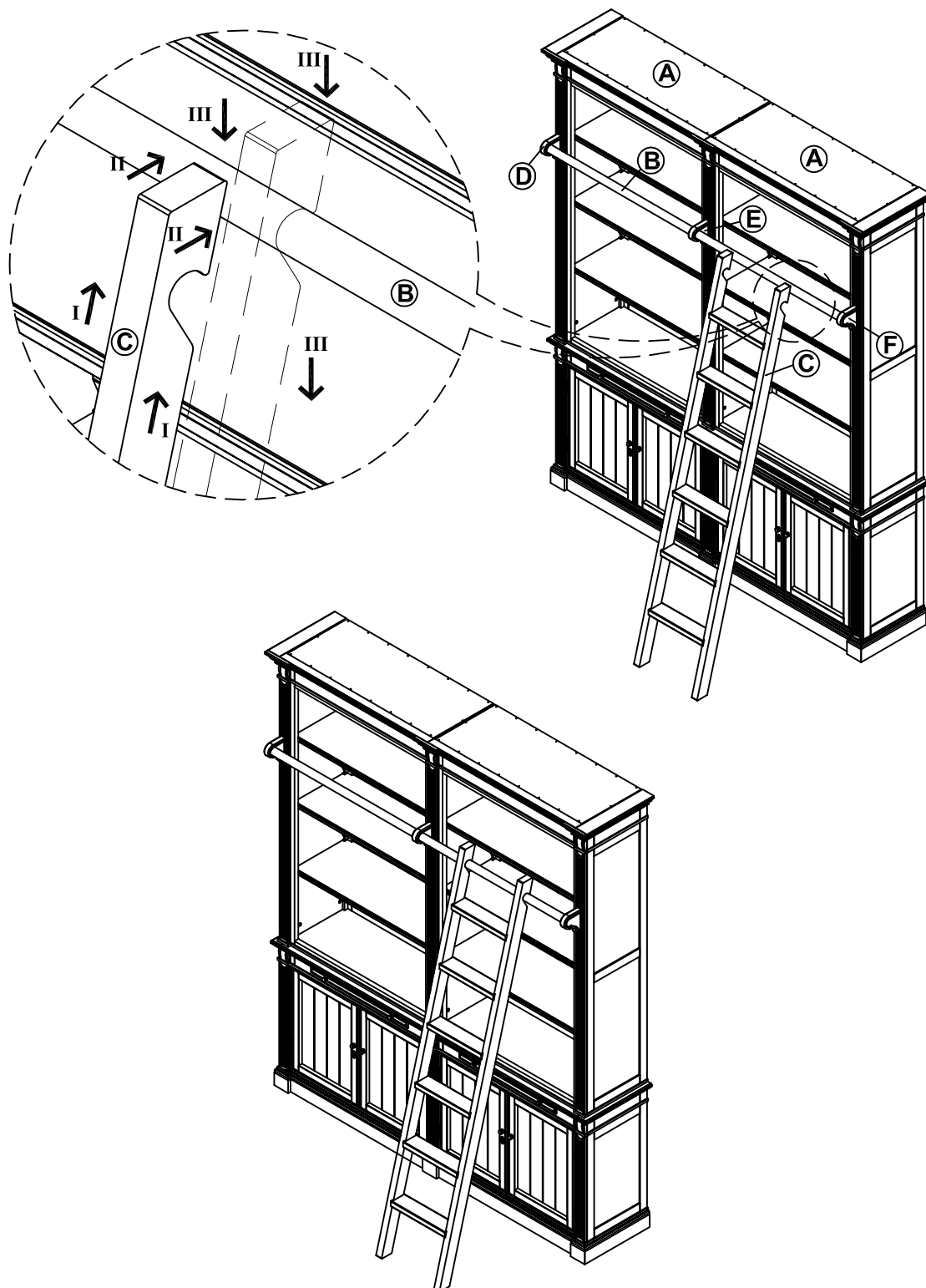
STEP 4 " ATTACH MODULAR - LADDER & BRASS FOR BOOKCASE"

**THIS STEP REQUIRES:**

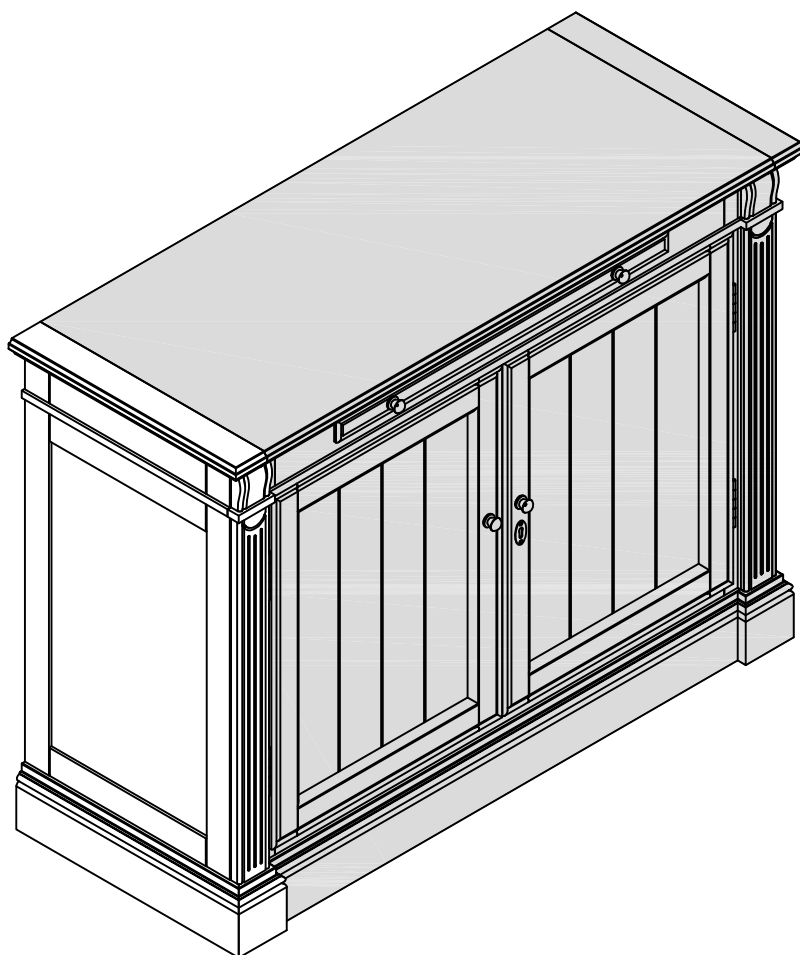
- A. BOOKCASE LIBRARY
- B. LADDER RAIL
- C. LADDER

- D. LEFT HANGER PAD
- E. MIDDLE HANGER PAD
- F. RIGHT HANGER PAD

FIG. 4



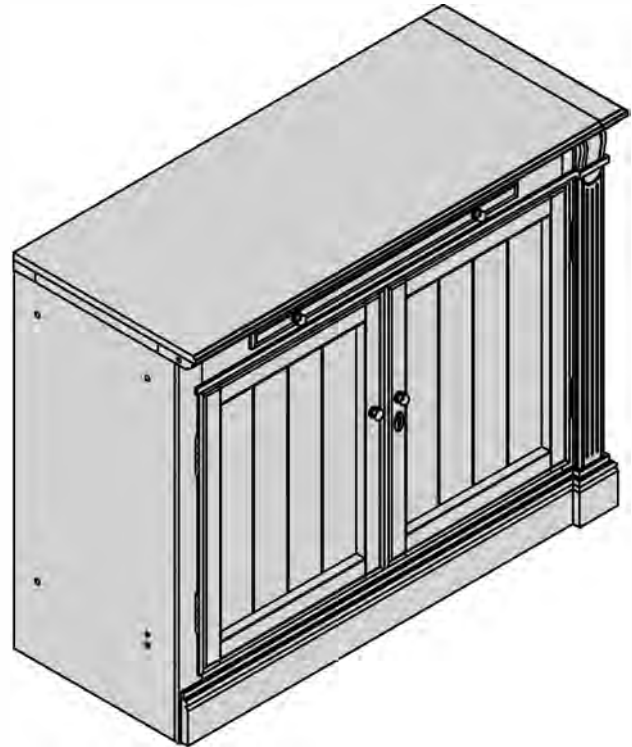
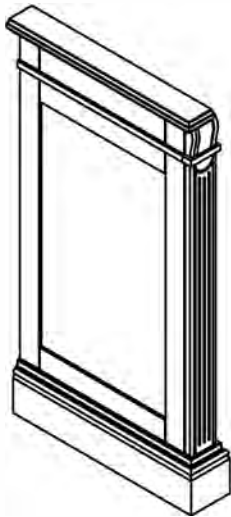
**ASSEMBLY INSTRUCTIONS**  
**for**  
**2 ATHENS LEFT END PANEL BASE**



Carefully unpack and familiarize yourself with all parts and diagrams to facilitate the assembly of your Athens Modular V2.

**TOOLS REQUIRED:**  
 phillips screw driver, drill and 1/4" drill bit (not supplied)

## CABINET PARTS



**A. 2 Athens - Left End Panel Base ( 1 pc )**

Athens Tuxedo Black - 40ATHLPBSBL2

Athens Nimbus - 40ATHLPBSNM2

Athens Stratus - 40ATHLPBSST2

**B. 2 Athens - Other Base Unit ( 1 pc )**

## ASSEMBLY HARDWARE

Athens Tuxedo Black - 91ATHBKHDW3

Athens Nimbus - 91ATHNMHDW8

Athens Stratus - 91ATHSTHDW9

\* PARTS ARE NOT ABLE TO BE ORDERED, FOR ASSISTANCE PLEASE CONTACT YOUR LOCAL STORE OR ARHAUS CONCIERGE



C. Dowel Ø8 x 20  
( 2 pcs )



D. JCBC M6 x 25  
( 4 pcs )



E. Allen Key  
( 1 pc )

DESCRIPTION	BLACK	NIMBUS	STRATUS
STOCK SKU	40ATHLPBSBL2	40ATHLPBSNM2	40ATHLPBSST2
ASSEMBLY HARDWARE	91ATHBKHDW3	91ATHNMHDW8	91ATHSTHDW9

## STEP 1 " JOIN TWO MODULE "

### THIS STEP REQUIRES:

- A. 2 ATHENS LEFT END PANEL BASE
- B. 2 ATHENS OTHER BASE UNIT
- C. DOWEL Ø8 x20 (2 pcs)

- D. JCBC M6 x 25 (4 pcs)
- E. ALLEN KEY (1 pc)

*Note : Module B are exchangeable with the other Module*

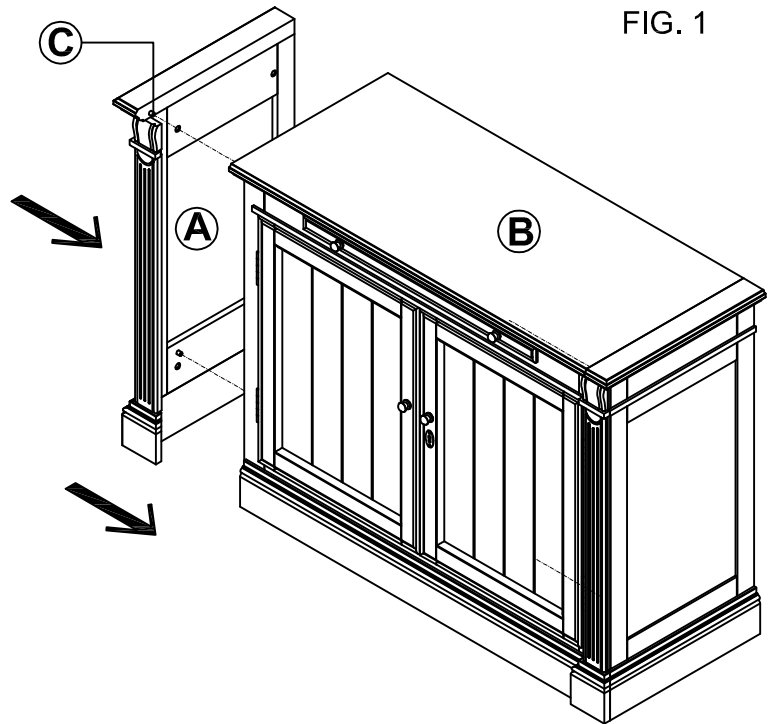
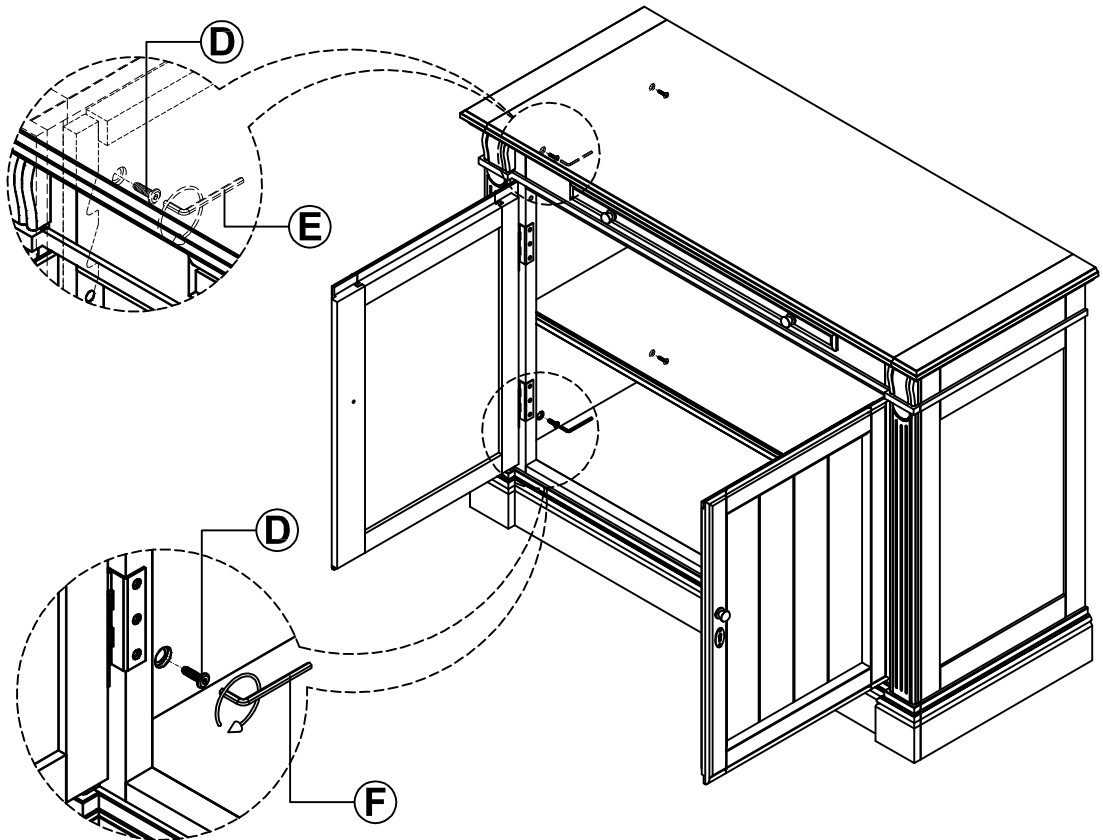
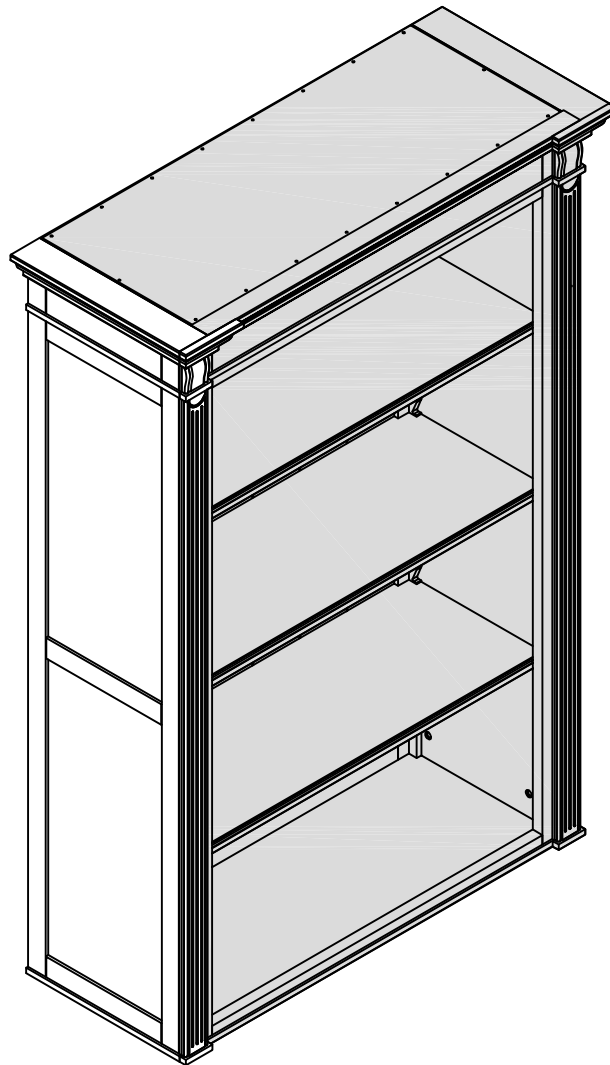


FIG. 1

FIG. 2



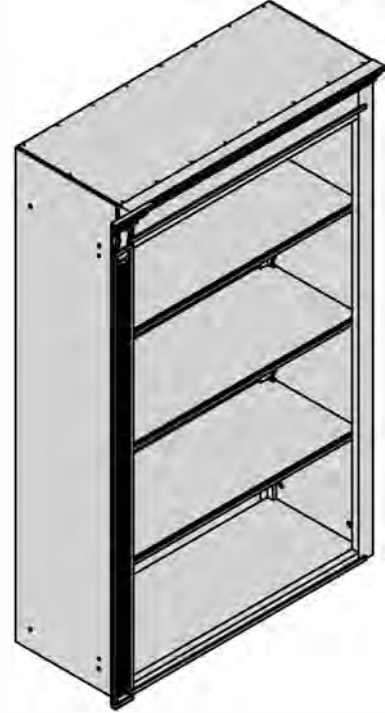
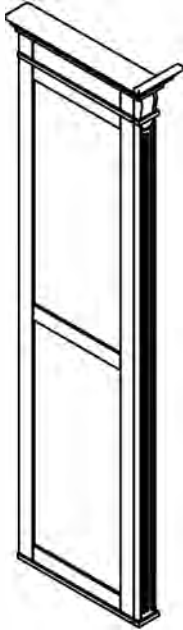
**ASSEMBLY INSTRUCTIONS**  
**for**  
**2 ATHENS LEFT END PANEL TOP**



Carefully unpack and familiarize yourself with all parts and diagrams to facilitate the assembly of your Athens Module V2.

**TOOLS REQUIRED:**  
 phillips screw driver, drill and 1/4" drill bit (not supplied)

## CABINET PARTS



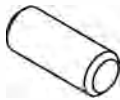
**A. 2 Athens - Left End Panel Top ( 1 pc )**  
 Athens Tuxedo Black - 40ATHLPTPBL2  
 Athens Nimbus - 40ATHLPTPNM2  
 Athens Stratus - 40ATHLPTPST2

**B. 2 Athens - Other Top Unit ( 1 pc )**

## ASSEMBLY HARDWARE

Athens Tuxedo Black - 91ATHBKHDW4  
 Athens Nimbus - 91ATHNMHDW10  
 Athens Stratus - 91ATHSTHDW10

\* PARTS ARE NOT ABLE TO BE ORDERED, FOR ASSISTANCE PLEASE CONTACT YOUR LOCAL STORE OR ARHAUS CONCIERGE



**C. Dowel Ø8 x 20**  
 ( 2 pcs )



**D. JCBC M6 x 25**  
 ( 4 pcs )



**E. Allen Key**  
 ( 1 pc )

DESCRIPTION	BLACK	NIMBUS	STRATUS
STOCK SKU	40ATHLPTPBL2	40ATHLPTPNM2	40ATHLPTPST2
ASSEMBLY HARDWARE	91ATHBKHDW4	91ATHNMHDW10	91ATHSTHDW10



## STEP 1 " JOIN TWO MODULES "

### THIS STEP REQUIRES:

- A. 2 ATHENS LEFT END PANEL TOP
- B. 2 ATHENS OTHER TOP UNIT
- C. DOWEL Ø8 x20 (2 pcs)

- D. JCBC M6 x 25 (4 pcs)
- E. ALLEN KEY (1 pc)

Note : Module B are exchangeable with the other Module

FIG. 1

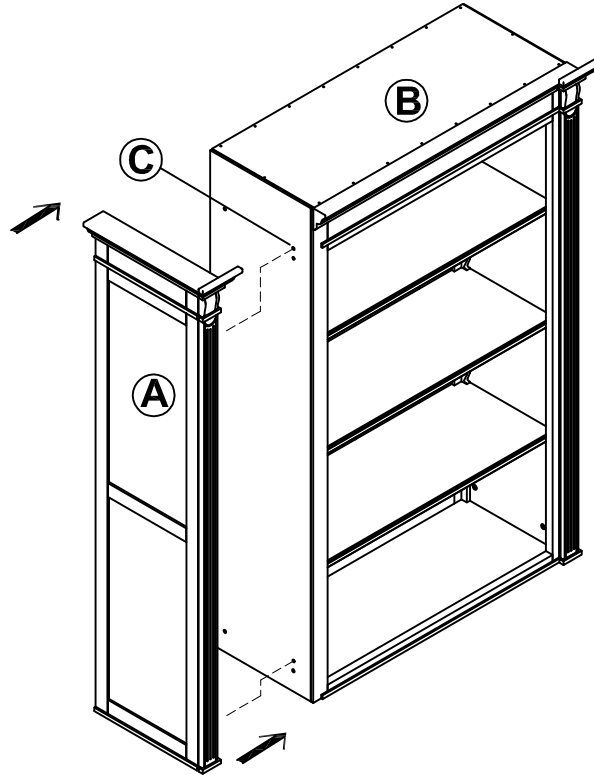
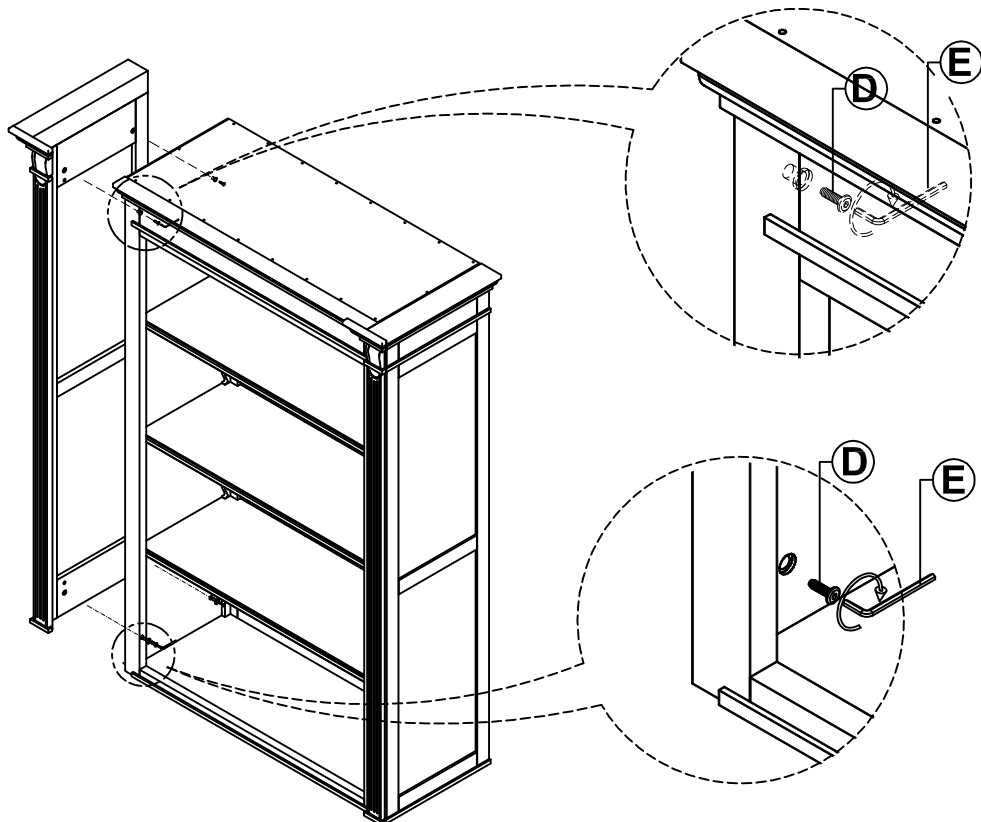


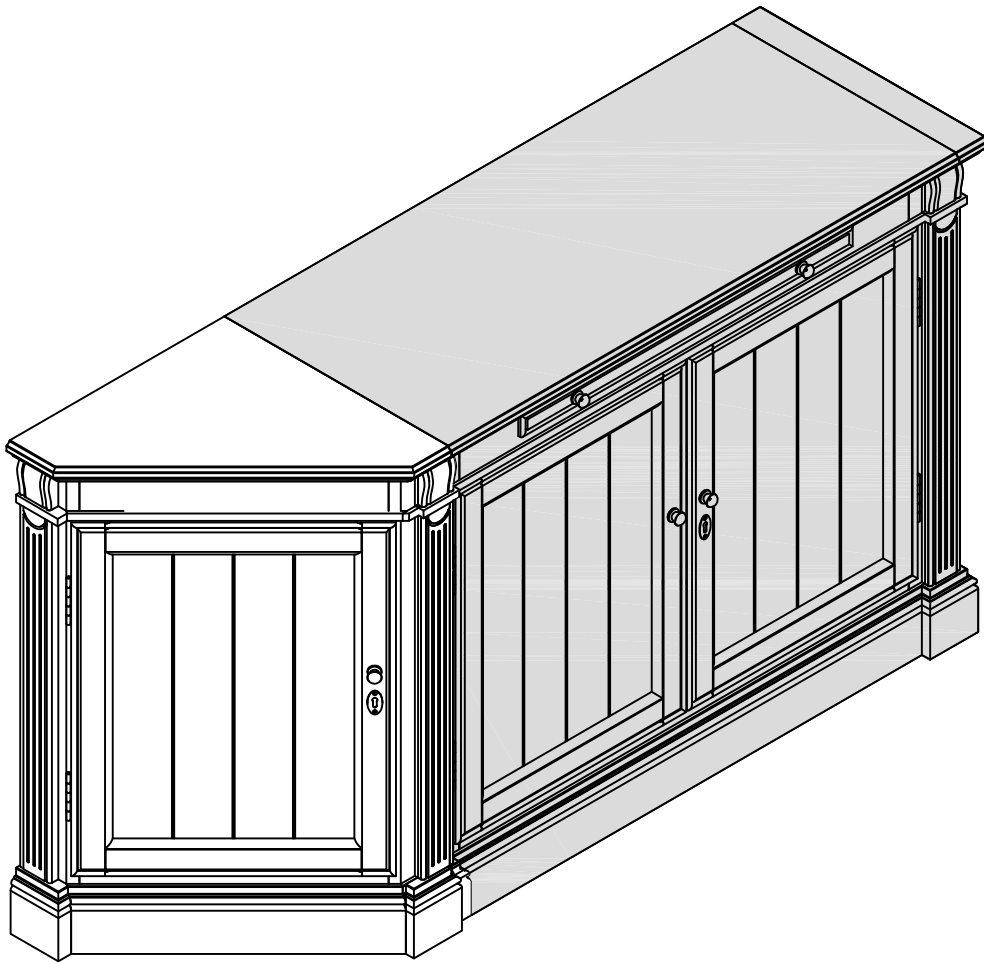
FIG. 2



# **ASSEMBLY INSTRUCTIONS**

**for**

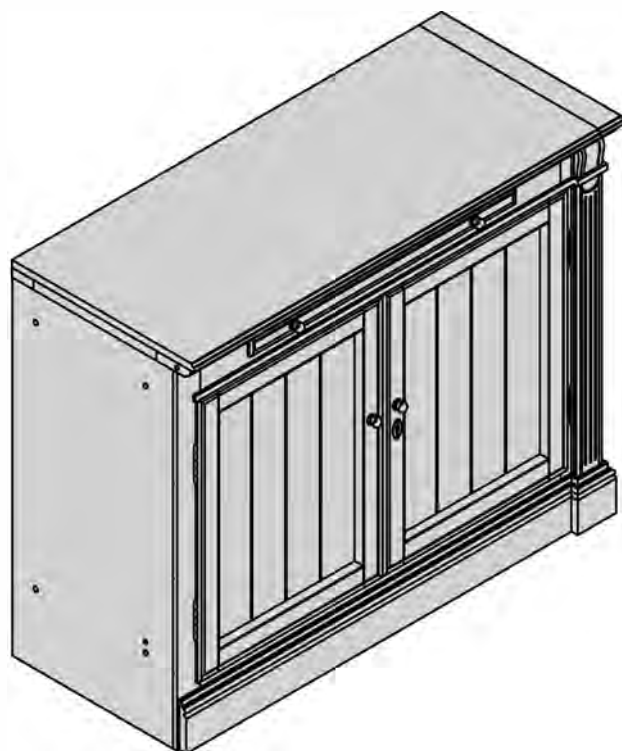
## **2 ATHENS LEFT END ANGLED BASE**



Carefully unpack and familiarize yourself with all parts and diagrams to facilitate the assembly of your Athens Modular V2.

**TOOLS REQUIRED:**  
 phillips screw driver, drill and 1/4" drill bit (not supplied)

## CABINET PARTS



### A. 2 Athens - Left End Angled Base ( 1 pc )

Athens Tuxedo Black - 40ATHLEBSBL2

Athens Nimbus - 40ATHLEBSNM2

Athens Stratus - 40ATHLEBSST2

### B. 2 Athens - Other Base Unit ( 1 pc )

DESCRIPTION	BLACK	NIMBUS	STRATUS
STOCK SKU	40ATHLEBSBL2	40ATHLEBSNM2	40ATHLEBSST2
ASSEMBLY HARDWARE	91ATHBKHDW16	91ATHNMHDW13	91ATHSTHDW7
ANTI-TIP KIT	91ATHENSTIP	91ATHENSTIP	91ATHENSTIP
MENDING PLATE	91ATHSMNDPLT	91ATHSMNDPLT	91ATHSMNDPLT
LOCK	91ATHBLLOCK	91ATHNMLOCK	91ATHNMLOCK
KEY	91511ATHKEY	91511NIMKEY	91511NIMKEY
KNOBS	91ATHBLKNOB	91ATHNMKNOB	91ATHNMKNOB
HINGE	91511ATHHNG	91511ATHHNG	91511ATHHNG
CATCH	91ATHDRCTBS	91ATHDRCTBS	91ATHDRCTBS
LATCH	91ATHBLLATCH	91ATHNMLATCH	91ATHNMLATCH
SHELF ANGLED	--	--	--
SHELF SUPPORT 11.5"	91ATHBLSHS11	91ATHBLSHS11	--
SHELF SUPPORT 12"	91ATHBLSHS12	91ATHNMSHS12	--

Carefully unpack and familiarize yourself with all parts and diagrams to facilitate the assembly of your Athens Modular V2.

**TOOLS REQUIRED:**  
phillips screw driver, drill and 1/4" drill bit (not supplied)

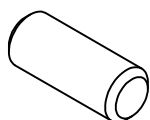
## ASSEMBLY HARDWARE

Athens Tuxedo Black - 91ATHBKHDW16

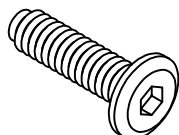
Athens Nimbus - 91ATHNMHDW13

Athens Stratus - 91ATHSTHDW7

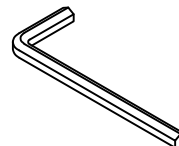
\* PARTS ARE NOT ABLE TO BE ORDERED, FOR ASSISTANCE PLEASE CONTACT YOUR LOCAL STORE OR ARHAUS CONCIERGE



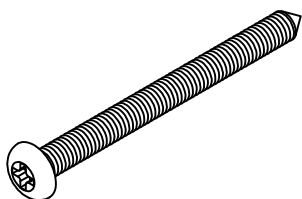
C. Dowel Ø8 x 20  
( 2 pcs )



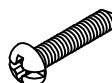
D. JCBC M6 x 25  
( 4 pcs )



E. Allen Key  
( 1 pcs )



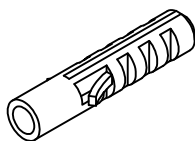
F. Screw PAB Ø8 x 1 1/2"  
( 1 pc )



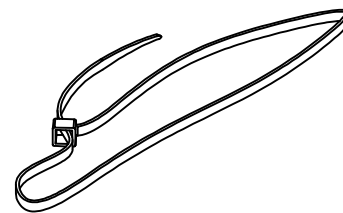
G. Screw PAB Ø6 x 5/8"  
( 1 pc )



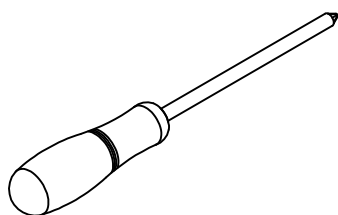
H. Wall Fitting / "D" Bracket  
( 2 pcs )



I. Plastic Anchor / Fischer S6  
( 1 pc )



J. Wall Strap / Plastic Tie 25 cm  
( 1 pc )



K. Phillips Screw Driver  
( Not Include )



L. Drill & 1/4 " Drill Bit  
( Not Include )

## STEP 1 " JOIN TWO MODULES "

### THIS STEP REQUIRES:

- A. 2 ATHENS LEFT END ANGLED BASE
- B. 2 ATHENS OTHER BASE UNIT

- C. DOWEL Ø8 x20 (2 pcs)
- D. JCBC M6 x 25 (4 pcs)
- E. ALLEN KEY (1 pcs)

*Note : Module B are exchangeable with the other Module*

FIG. 1

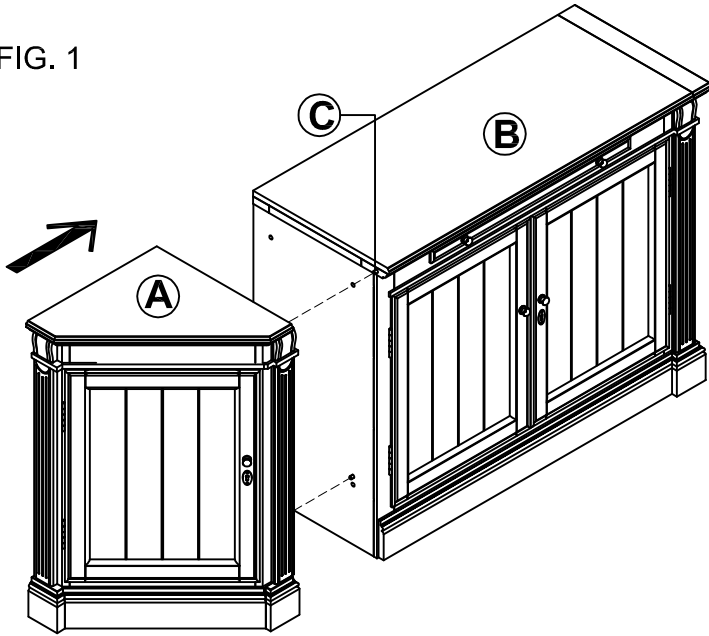
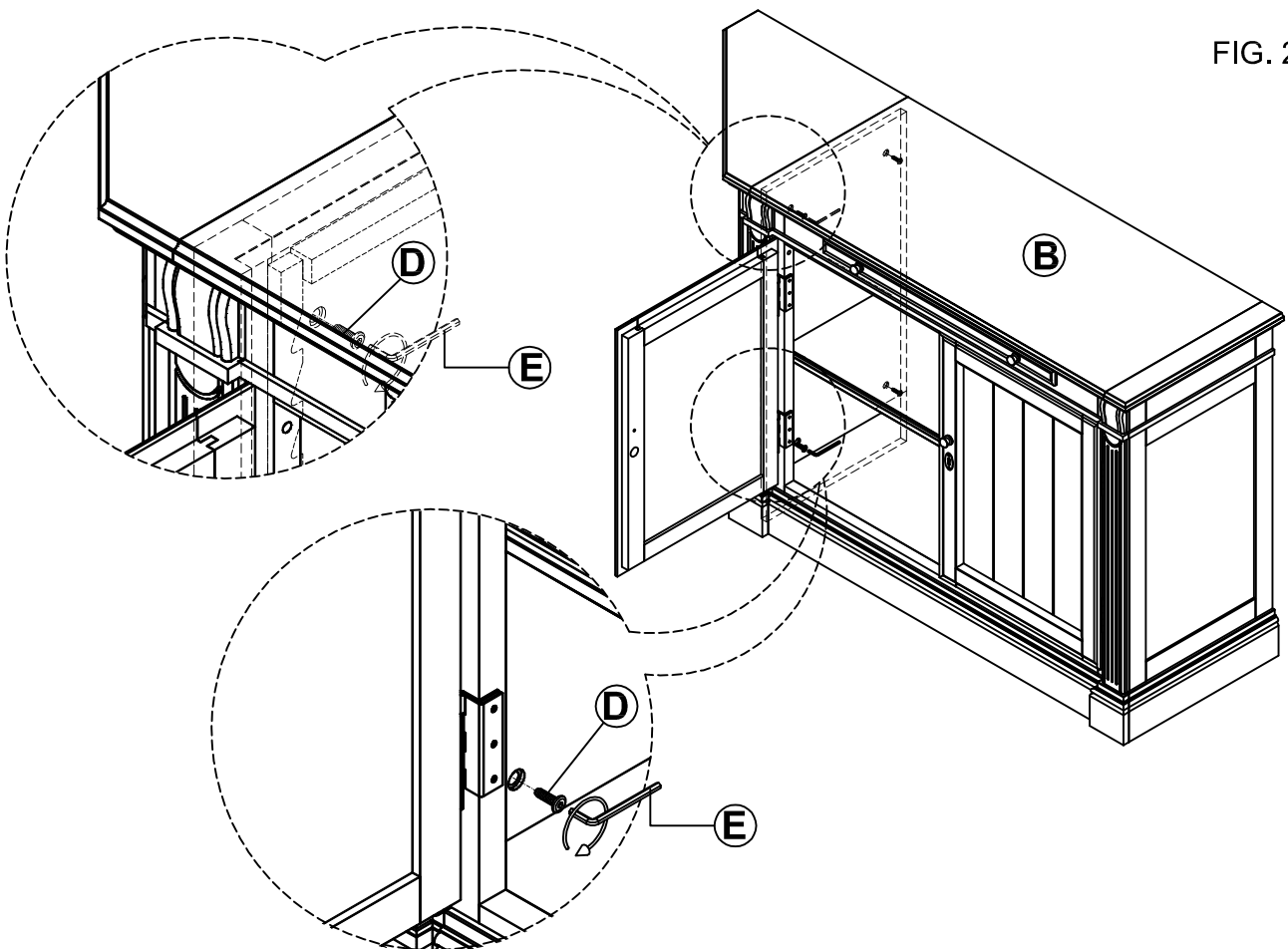


FIG. 2



## STEP 2 " SAFETY MOUNTING ASSEMBLY "

### THIS STEP REQUIRES:

F. SCREW Ø8 x 1 1/2"

G. SCREW Ø6 x 5/8"

H. WALL FITTING/"D" BRACKET

I. PLASTIC ANCHOR / FISCHER S6

J. WALL STRAP / PLASTIC TIE 25 cm

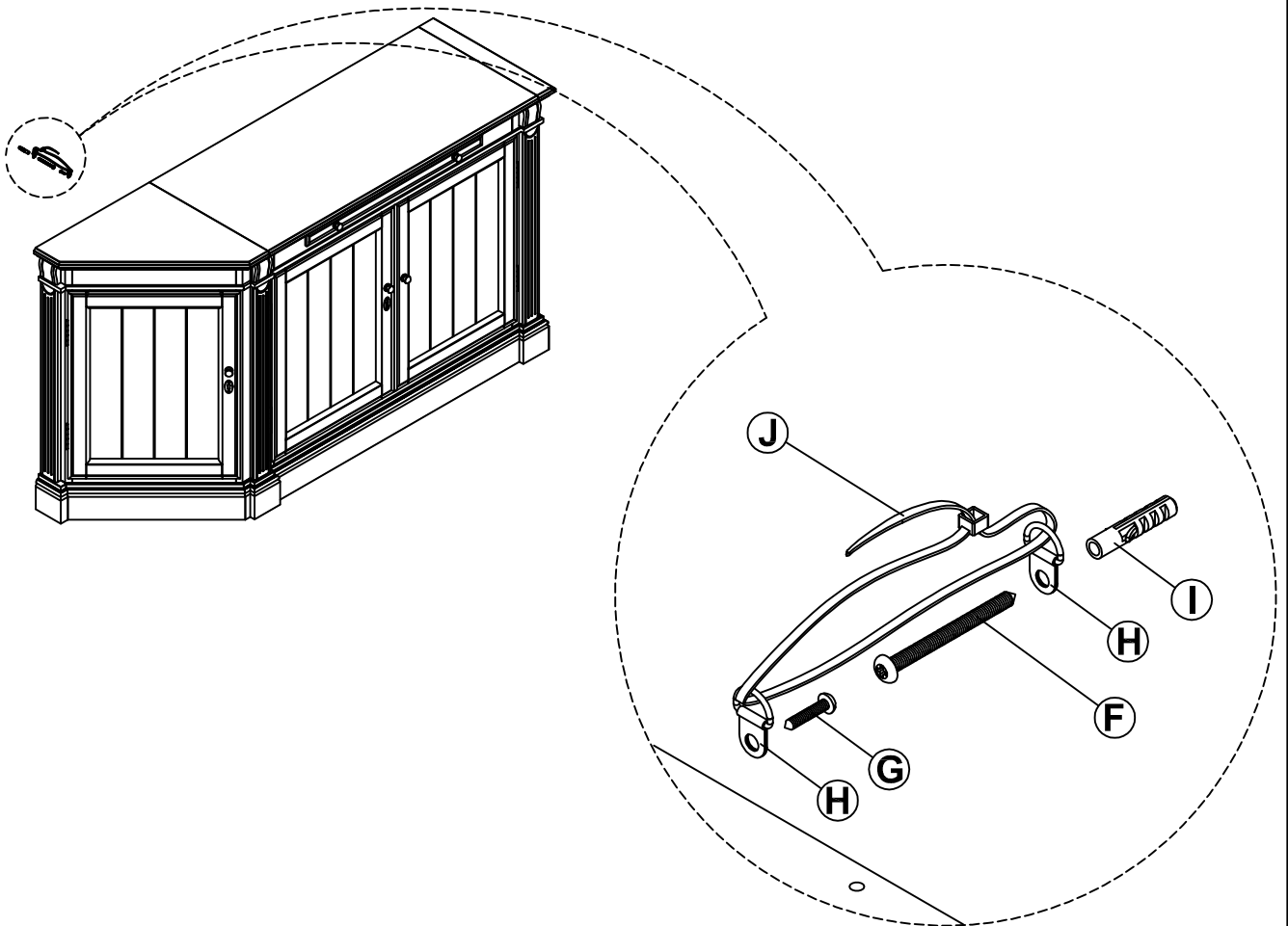
K. PHILLIPS SCREW DRIVER (NOT INCLUDED)

L. DRILL & 1/4" DRILL BIT (NOT INCLUDED)

### Installation Instructions:

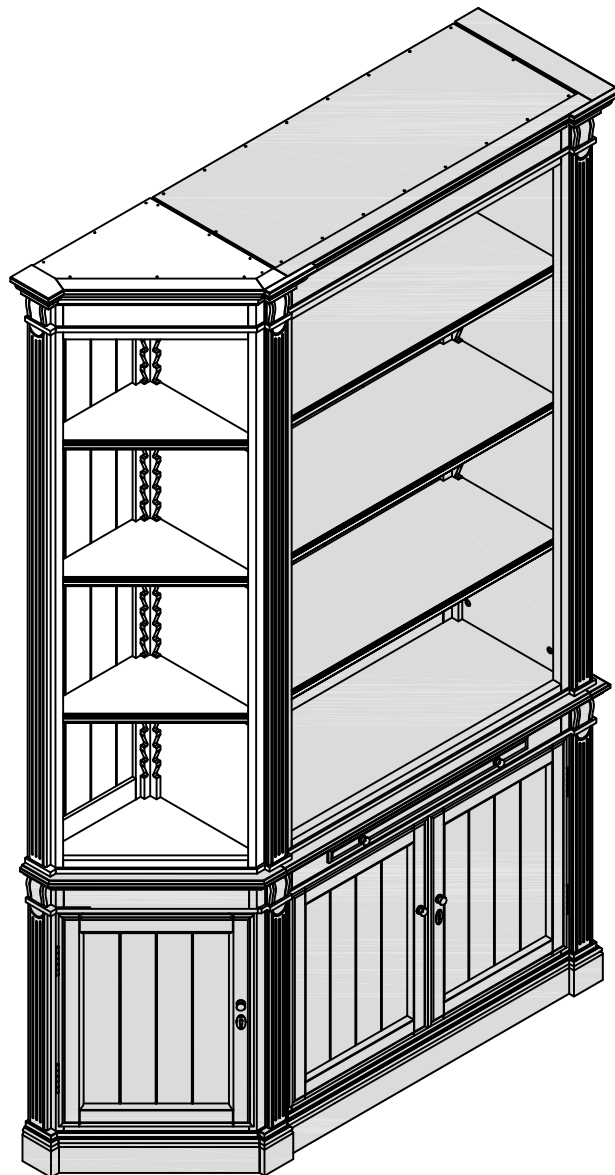
For added safety and stability, it is recommended that the wall mounting hardware be installed. For safe mounting, it is essential to use wall anchors appropriate to your wall type (i.e. Plaster, drywall, concrete, etc.). Mount to wood studs whenever possible.

- Attach **1 pc of wall fitting** to furniture as shown, using **small screw**.
- Determine the final position for the furniture. Mark position on the wall approximately 2" below the bracket mounted to the back of the unit.
- **Drill** a hole in the wall stud. If the wall stud is not available, drill a hole in the wall that is slightly smaller in diameter than the anchor. Gently tap the **plastic anchor** until the flange of the anchor is flush with the wall.
- Attach the **wall fitting** to the wall by inserting **large screw** through the wall fitting and into the **plastic anchor** in the wall.
- Place the unit so the wall fitting on the back edge is aligned with the wall fitting on the wall.
- Lace one end of the **wall strap** through both fittings, and into the other end of the strap.
- Pull the strap tightly until secure.



**Any damage incurred to the furniture or the wall as a result of improper installation of this restraint will be the responsibility of the owner.**

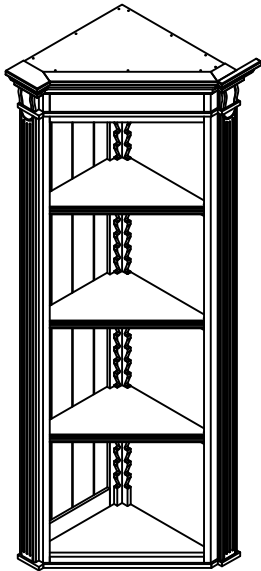
**ASSEMBLY INSTRUCTIONS**  
**for**  
**2 ATHENS LEFT END ANGLED TOP**



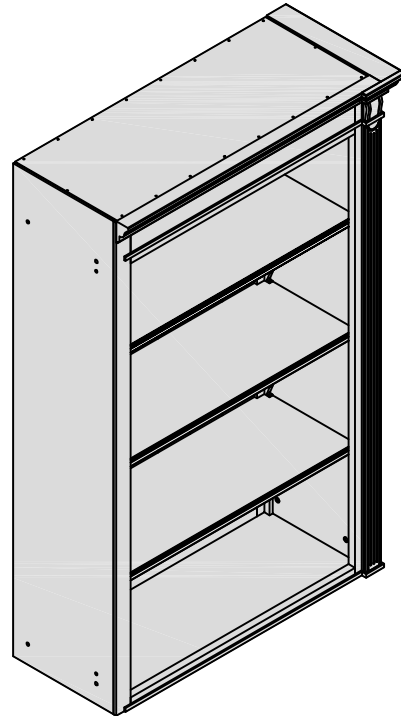
Carefully unpack and familiarize yourself with all parts and diagrams to facilitate the assembly of your Athens Modular V2.

**TOOLS REQUIRED:**  
phillips screw driver, drill and 1/4" drill bit (not supplied)

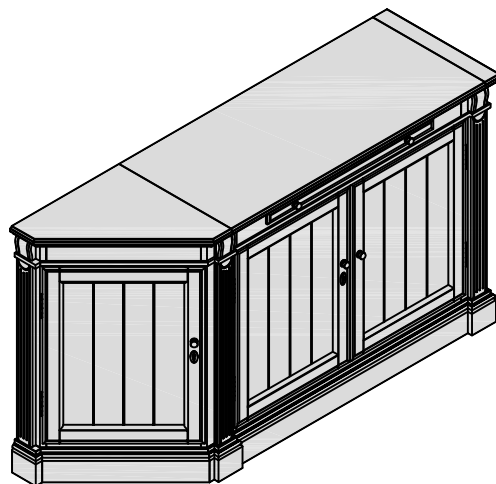
## CABINET PARTS



**A. 2 Athens - Left End Angled Top ( 1 pc )**  
Athens Tuxedo Black - 40ATHLETPBL2  
Athens Nimbus - 40ATHLETPNM2  
Athens Stratus - 40ATHLETPST2



**B. 2 Athens - Other Top Unit ( 1 pc )**



**C. 2 Athens - Base with  
Left End Angled Base( 1 Set )**



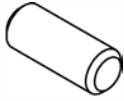
Carefully unpack and familiarize yourself with all parts and diagrams to facilitate the assembly of your Athens Modular V2.

**TOOLS REQUIRED:**  
 phillips screw driver, drill and 1/4" drill bit (not supplied)

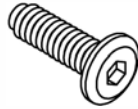
### ASSEMBLY HARDWARE

Athens Tuxedo Black - 91ATHBKHDW17  
 Athens Nimbus - 91ATHNMHDW16  
 Athens Stratus - 91ATHSTHDW8

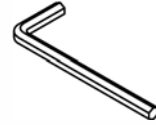
\* PARTS ARE NOT ABLE TO BE ORDERED, FOR ASSISTANCE PLEASE CONTACT YOUR LOCAL STORE OR ARHAUS CONCIERGE



D. Dowel Ø8 x 20 ( 2 pcs )



E. JCBC M6 x 25( 4 pcs )



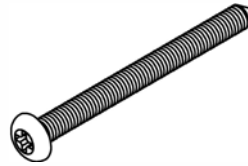
F. Allen Key ( 1 pcs )



G. Connector Bar ( 2 pcs ) attached



H. Screw Ø6 x 3/4" ( 4 pcs ) attached



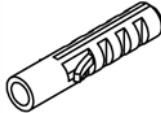
I. Screw PAB Ø8 x 1 1/2" ( 1 pc )



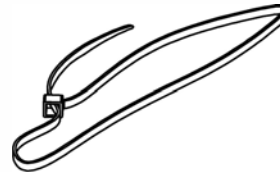
J. Screw PAB Ø6 x 5/8" ( 1 pc )



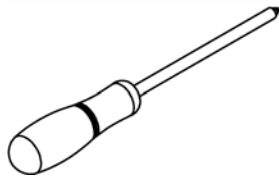
K. Wall Fitting / "D" Bracket ( 2 pcs )



L. Plastic Anchor / Fischer S6 ( 1 pc )



M. Wall Strap / Plastic Tie 25 cm ( 1 pc )



N. Philips Screw Driver ( Not Include )



O. Drill & 1/4 " Drill Bit ( Not Include )

DESCRIPTION	BLACK	NIMBUS	STRATUS
STOCK SKU	40ATHLETPBL2	40ATHLETPNM2	40ATHLETPST2
ASSEMBLY HARDWARE	91ATHBKHDW17	91ATHNMHDW16	91ATHSTHDW8
ANTI-TIP KIT	91ATHENSTIP	91ATHENSTIP	91ATHENSTIP
MENDING PLATE	91ATHSMNDPLT	91ATHSMNDPLT	91ATHSMNDPLT
LOCK	91ATHBLLOCK	91ATHNMLOCK	91ATHNMLOCK
KEY	91511ATHKEY	91511NIMKEY	91511NIMKEY
KNOBS	91ATHBLKNOB	91ATHNMKNOB	91ATHNMKNOB
HINGE	91511ATHHNG	91511ATHHNG	91511ATHHNG
CATCH	91ATHDRCTBS	91ATHDRCTBS	91ATHDRCTBS
LATCH	91ATHBLLATCH	91ATHNMLATCH	91ATHNMLATCH
SHELF ANGLED	--	--	--
SHELF SUPPORT 11.5"	91ATHBLSHS11	91ATHBLSHS11	--
SHELF SUPPORT 12"	91ATHBLSHS12	91ATHNMSHS12	--

## STEP 1 " JOIN TWO MODULES "

### THIS STEP REQUIRES:

A. 2 ATHENS LEFT END ANGLED TOP

B. 2 ATHENS OTHER TOP UNIT

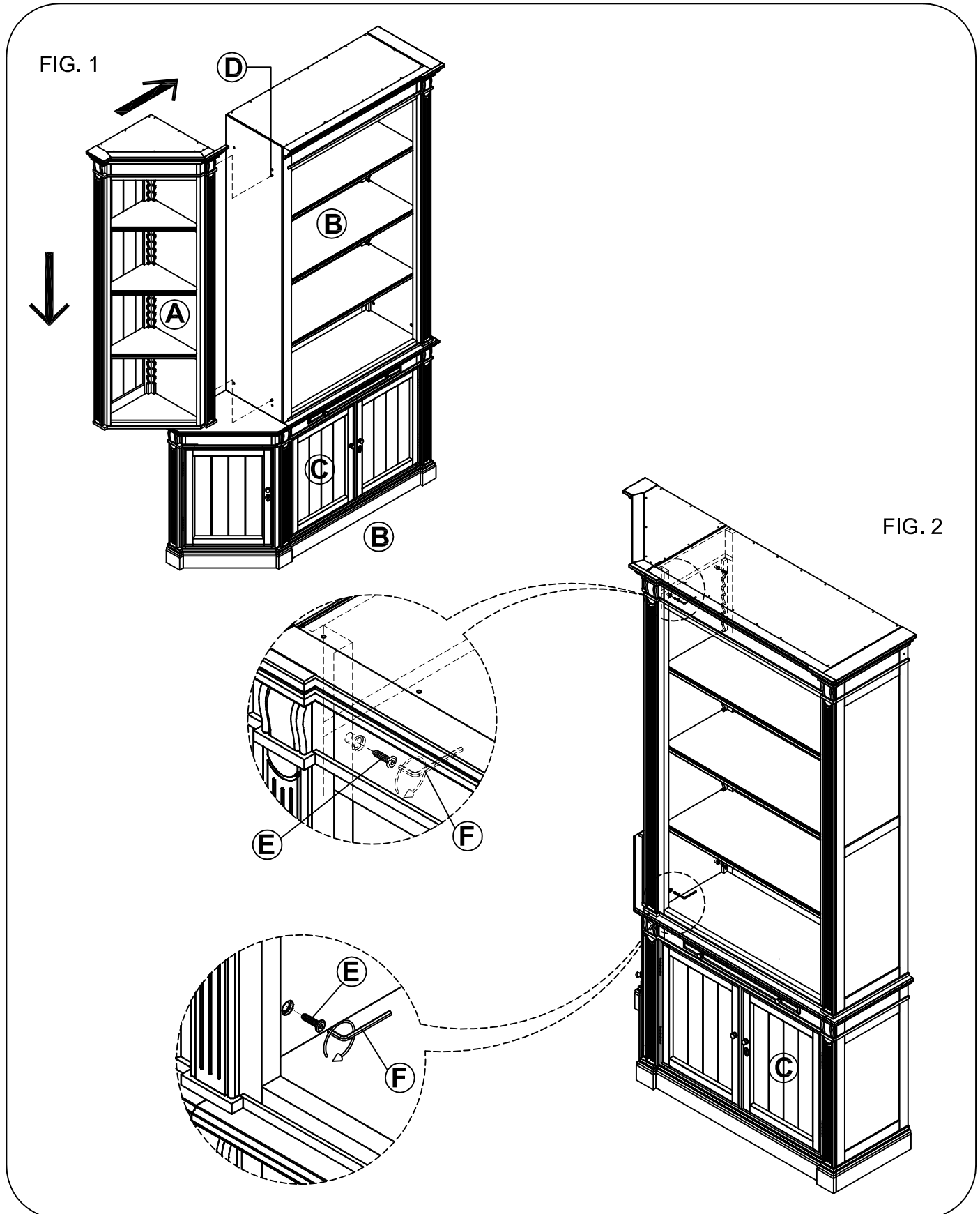
C. 2 ATHENS BASE WITH LEFT END ANGLED BASE

D. DOWEL Ø8 x20 (2 pcs)

E. JCBC M6 x 25 (4 pcs)

F. ALLEN KEY (1 pcs)

*Note : Module A and C are exchangeable with the other Module*



STEP 2 " SECURE - 2 ATHENS BOOKCASE TOP "

**THIS STEP REQUIRES:**

G. CONNECTOR BAR (attached; 2 pcs)

H. SCREW Ø6 x 3/4" (attached; 4 pcs)

N. PHILLIPS SCREW DRIVER ( NOT INCLUDED)

FIG. 3

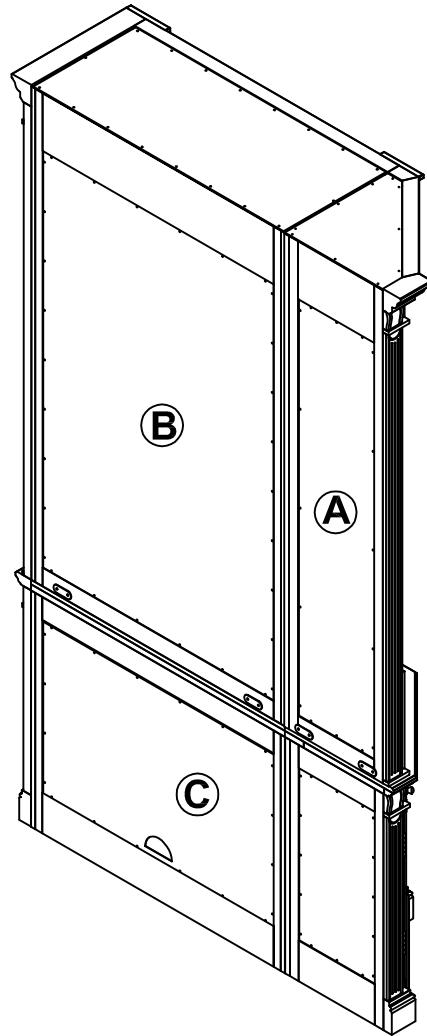
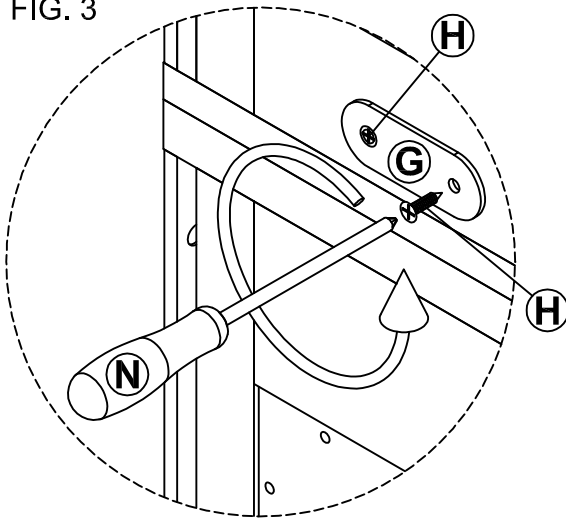


FIG. 4

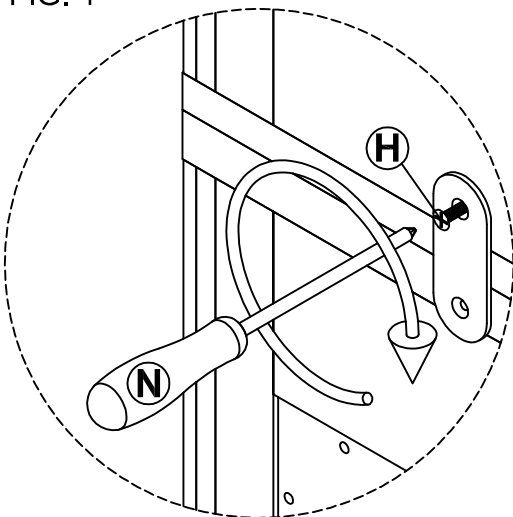
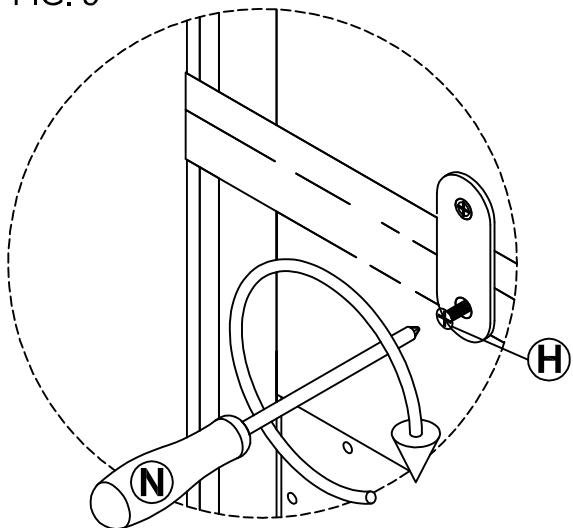


FIG. 5



### STEP 3 " SAFETY MOUNTING ASSEMBLY "

#### THIS STEP REQUIRES:

I. SCREW Ø8 x 1 1/2"

J. SCREW Ø6 x 5/8"

K. WALL FITTING/"D" BRACKET

L. PLASTIC ANCHOR / FISCHER S6

M. WALL STRAP / PLASTIC TIE 25 cm

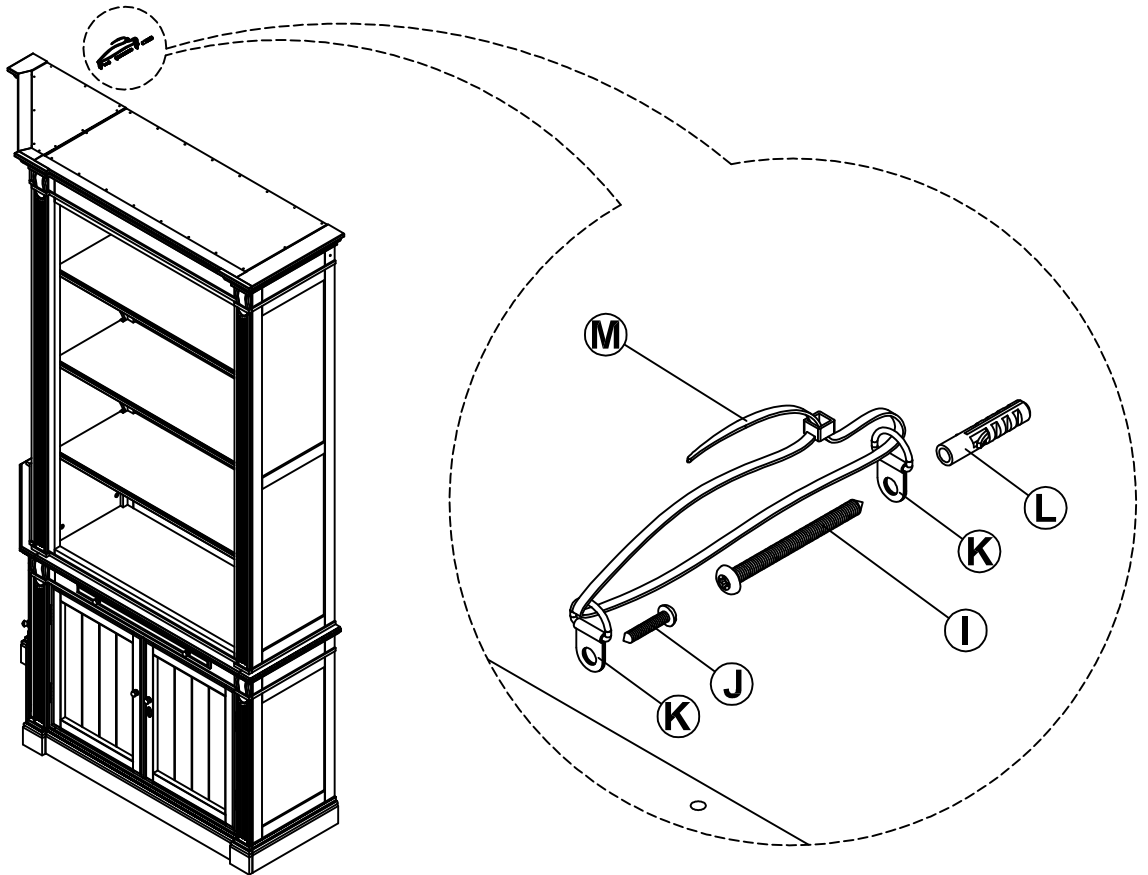
N. PHILLIPS SCREW DRIVER (NOT INCLUDED)

O. DRILL & 1/4" DRILL BIT (NOT INCLUDED)

#### Installation Instructions:

For added safety and stability, it is recommended that the wall mounting hardware be installed. For safe mounting, it is essential to use wall anchors appropriate to your wall type (i.e. Plaster, drywall, concrete, etc.). Mount to wood studs whenever possible.

- Attach **1 pc of wall fitting** to furniture as shown, using **small screw**.
- Determine the final position for the furniture. Mark position on the wall approximately 2" below the bracket mounted to the back of the unit.
- **Drill** a hole in the wall stud. If the wall stud is not available, drill a hole in the wall that is slightly smaller in diameter than the anchor. Gently tap the **plastic anchor** until the flange of the anchor is flush with the wall.
- Attach the **wall fitting** to the wall by inserting **large screw** through the wall fitting and into the **plastic anchor** in the wall.
- Place the unit so the wall fitting on the back edge is aligned with the wall fitting on the wall.
- Lace one end of the **wall strap** through both fittings, and into the other end of the strap.
- Pull the strap tightly until secure.

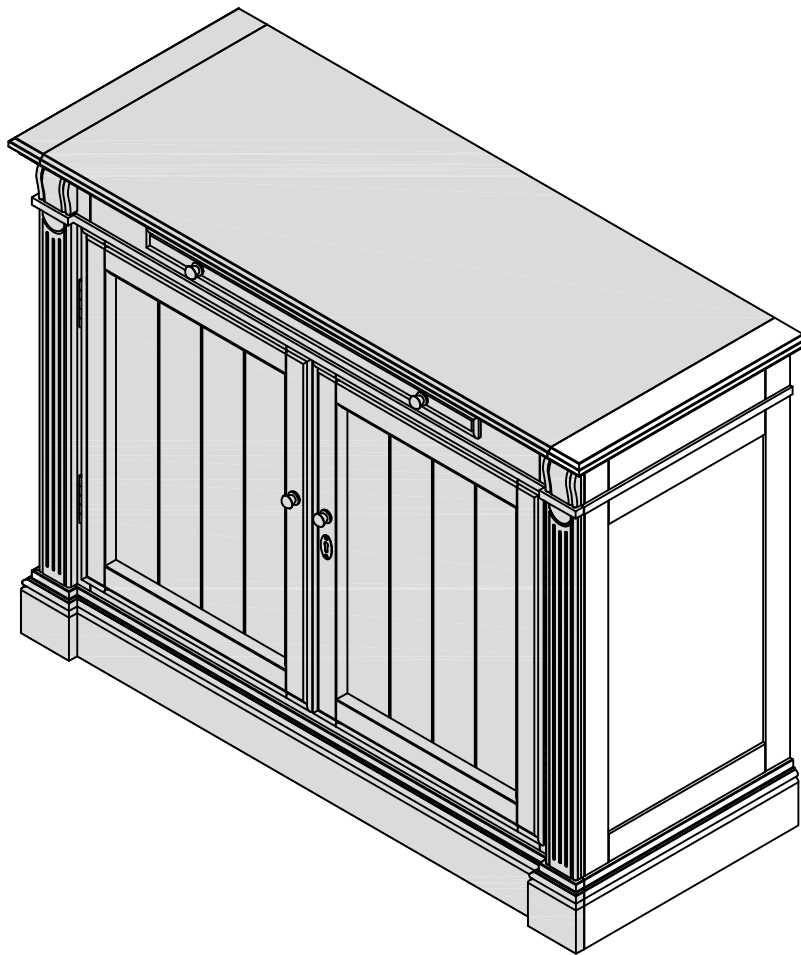


**Any damage incurred to the furniture or the wall as a result of improper installation of this restraint will be the responsibility of the owner.**

# **ASSEMBLY INSTRUCTIONS**

**for**

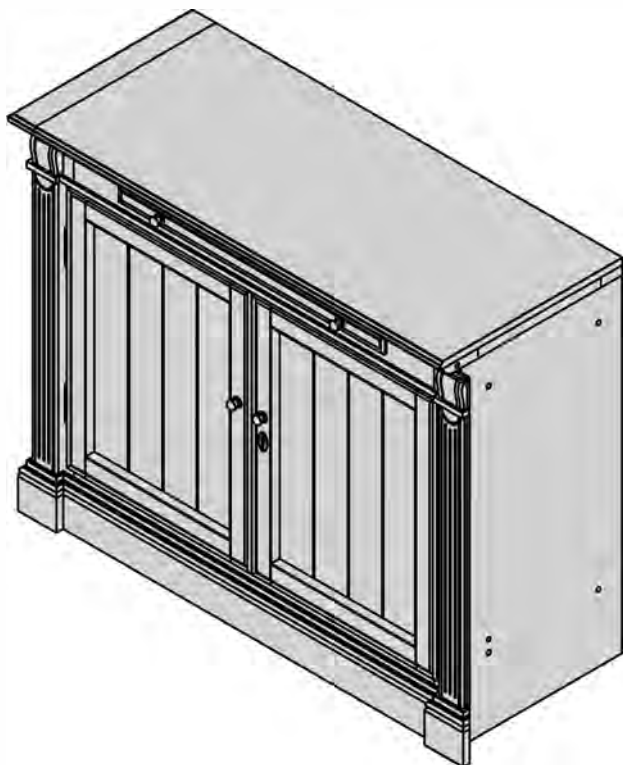
## **2 ATHENS RIGHT END PANEL BASE**



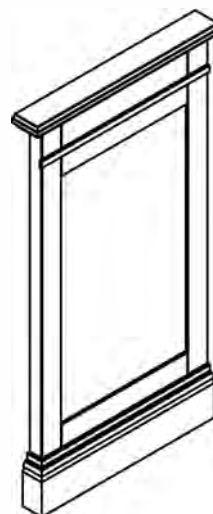
Carefully unpack and familiarize yourself with all parts and diagrams to facilitate the assembly of your Athens Modular V2.

**TOOLS REQUIRED:**  
phillips screw driver, drill and 1/4" drill bit (not supplied)

## CABINET PARTS



**A. 2 Athens - Other Base Unit ( 1 pc )**



**B. 2 Athens - Right End Panel Base ( 1 pc )**

Athens Tuxedo Black - 40ATHRPBSBL2

Athens Nimbus - 40ATHRPBSNM2

Athens Stratus - 40ATHRPBSST2

## ASSEMBLY HARDWARE

Athens Tuxedo Black - 91ATHBKHDW9

Athens Nimbus - 91ATHNMHDW17

Athens Stratus - 91ATHSTHDW15

\* PARTS ARE NOT ABLE TO BE ORDERED, FOR ASSISTANCE PLEASE CONTACT YOUR LOCAL STORE OR ARHAUS CONCIERGE



**C. Dowel Ø8 x 20  
( 2 pcs )**



**D. JCBC M6 x 25  
( 4 pcs )**



**E. Allen Key  
( 1 pc )**

DESCRIPTION	BLACK	NIMBUS	STRATUS
STOCK SKU	40ATHRPBSBL2	40ATHRPBSNM2	40ATHRPBSST2
ASSEMBLY HARDWARE	91ATHBKHDW9	91ATHNMHDW17	91ATHSTHDW15

## STEP 1 " JOIN TWO MODULE "

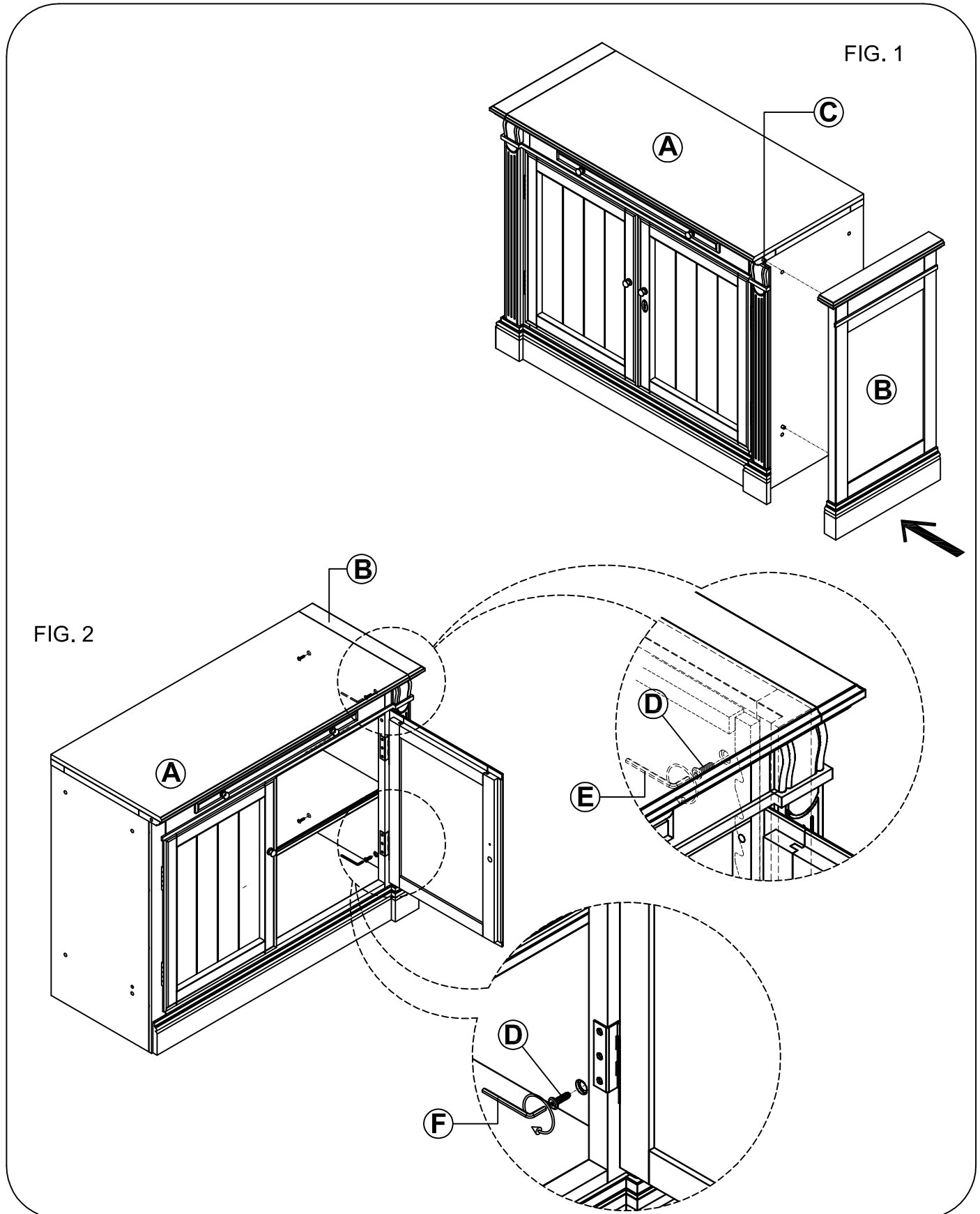
### THIS STEP REQUIRES:

- A. 2 ATHENS OTHER BASE UNIT
- B. 2 ATHENS RIGHT END PANEL BASE
- C. DOWEL Ø8 x20 (2 pcs)

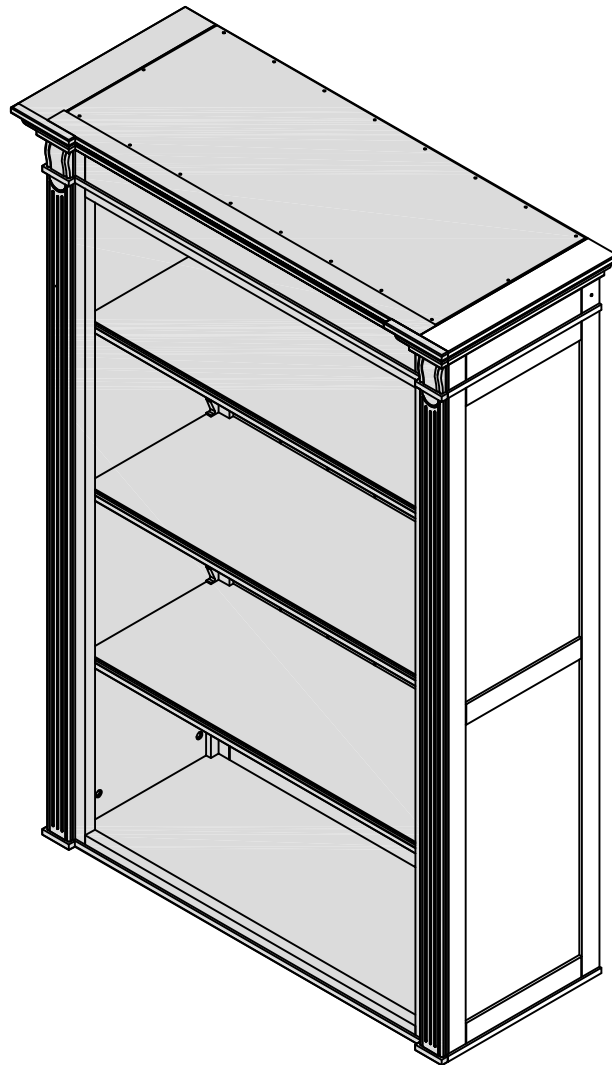
D. JCBC M6 x 25 (4 pcs)

E. ALLEN KEY (1 pc)

*Note : Module A are exchangeable with the other Module*



**ASSEMBLY INSTRUCTIONS**  
**for**  
**2 ATHENS RIGHT END PANEL TOP**

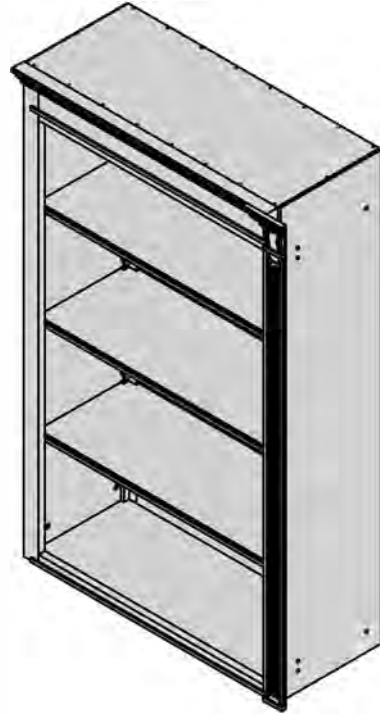
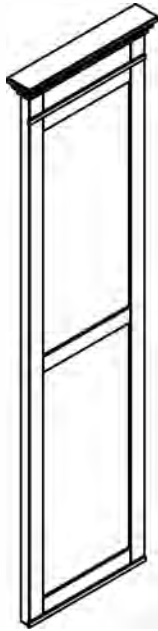




Carefully unpack and familiarize yourself with all parts and diagrams to facilitate the assembly of your Athens Modular V2.

**TOOLS REQUIRED:**  
 phillips screw driver, drill and 1/4" drill bit (not supplied)

## CABINET PARTS



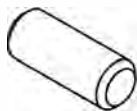
**A. 2 Athens - Right End Panel Top ( 1 pc )**  
 Athens Tuxedo Black - 40ATHRPTPBL2  
 Athens Nimbus - 40ATHRPTPNM2  
 Athens Stratus - 40ATHRPTPST2

**B. 2 Athens - Other Top Unit ( 1 pc )**

## ASSEMBLY HARDWARE

Athens Tuxedo Black - 91ATHBKHDW10  
 Athens Nimbus - 91ATHNMHDW18  
 Athens Stratus - 91ATHSTHDW16

\* PARTS ARE NOT ABLE TO BE ORDERED, FOR ASSISTANCE PLEASE CONTACT YOUR LOCAL STORE OR ARHAUS CONCIERGE



**C. Dowel Ø8 x 20**  
 ( 2 pcs )



**D. JCBC M6 x 25**  
 ( 4 pcs )



**E. Allen Key**  
 ( 1 pc )

DESCRIPTION	BLACK	NIMBUS	STRATUS
STOCK SKU	40ATHRPTPBL2	40ATHRPTPNM2	40ATHRPTPST2
ASSEMBLY HARDWARE	91ATHBKHDW10	91ATHNMHDW18	91ATHSTHDW16

## STEP 1 " JOIN TWO MODULES "

### THIS STEP REQUIRES:

- A. 2 ATHENS RIGHT END PANEL TOP
- B. 2 ATHENS OTHER TOP UNIT
- C. DOWEL Ø8 x20 (2 pcs)

D. JCBC M6 x 25 (4 pcs)

E. ALLEN KEY (1 pc)

*Note : Module B are exchangeable with the other Module*

FIG. 1

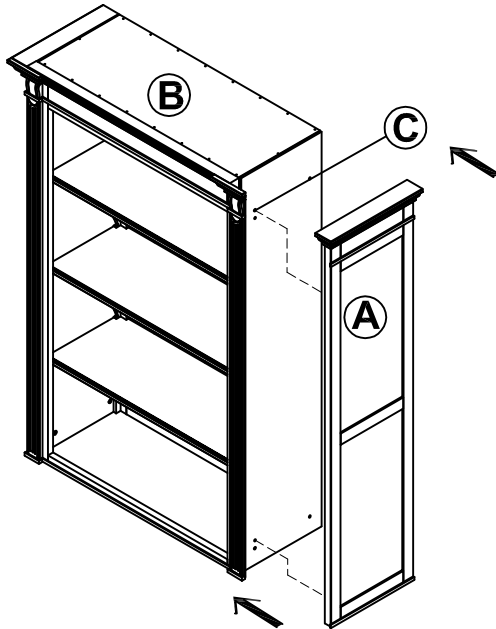
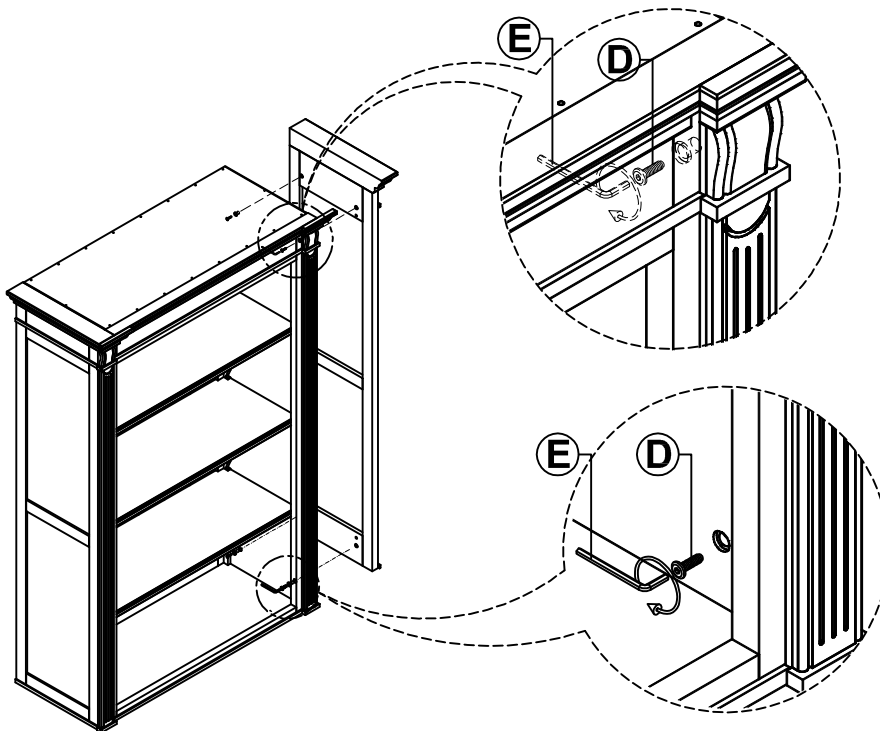


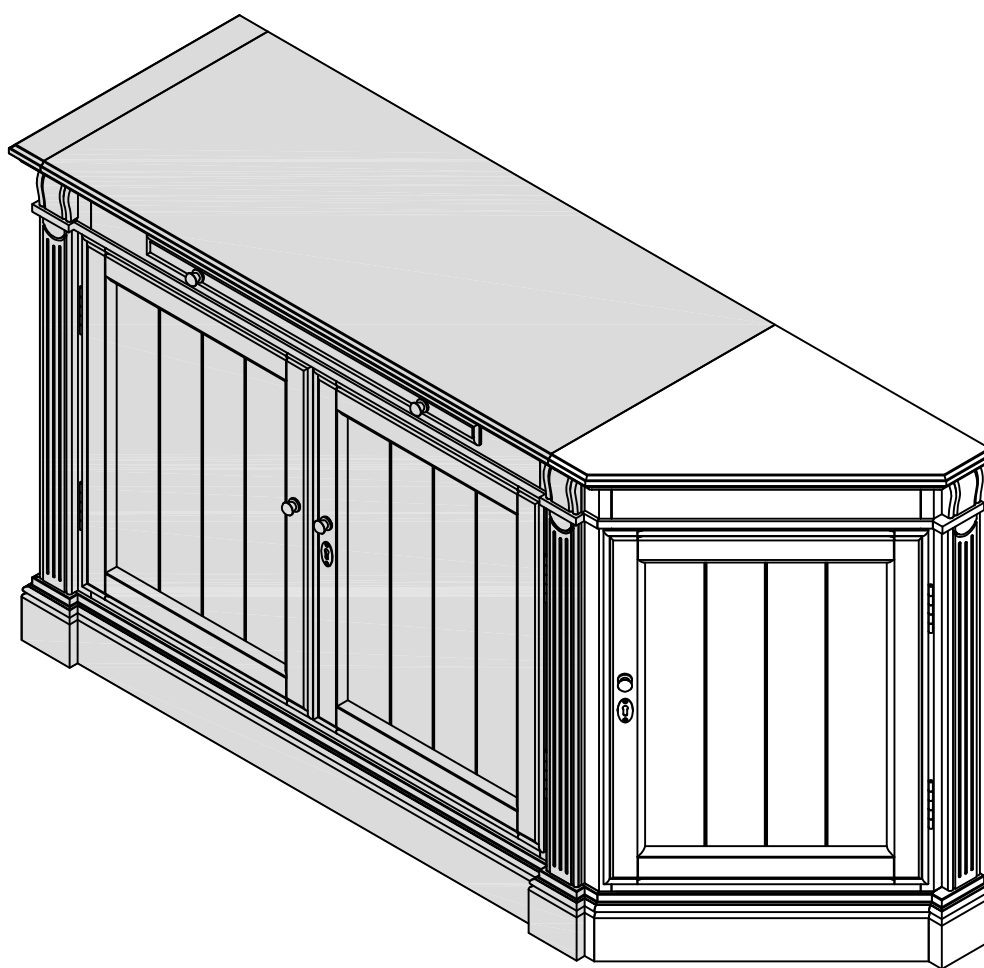
FIG. 2



# ASSEMBLY INSTRUCTIONS

for

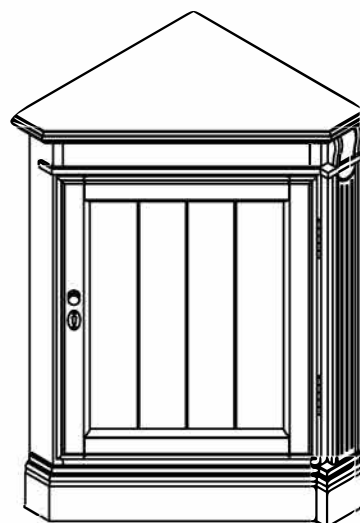
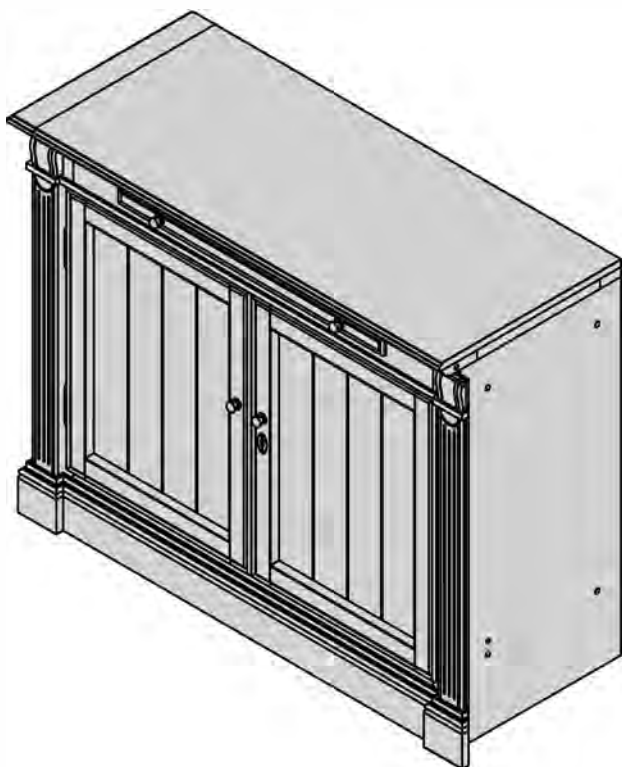
## 2 ATHENS RIGHT END ANGLED BASE



Carefully unpack and familiarize yourself with all parts and diagrams to facilitate the assembly of your Athens Modular V2.

**TOOLS REQUIRED:**  
 phillips screw driver, drill and 1/4" drill bit (not supplied)

## CABINET PARTS



**A. 2 Athens - Other Top Unit ( 1 pc )**

**B. 2 Athens - Right End Angled Base ( 1 pc )**  
 Athens Tuxedo Black - 40ATHREBSBL2  
 Athens Nimbus - 40ATHREBSNM2  
 Athens Stratus - 40ATHREBSST2

DESCRIPTION	BLACK	NIMBUS	STRATUS
STOCK SKU	40ATHREBSBL2	40ATHREBSNM2	40ATHREBSST2
ASSEMBLY HARDWARE	91ATHBKHDW18	91ATHNMHDW15	91ATHSTHDW13
ANTI-TIP KIT	91ATHENSTIP	91ATHENSTIP	91ATHENSTIP
MENDING PLATE	91ATHSMNDPLT	91ATHSMNDPLT	91ATHSMNDPLT
LOCK	91ATHBLLOCK	91ATHNMLOCK	91ATHNMLOCK
KEY	91511ATHKEY	91511NIMKEY	91511NIMKEY
KNOBS	91ATHBLKNOB	91ATHNMKNOB	91ATHNMKNOB
HINGE	91511ATHHNG	91511ATHHNG	91511ATHHNG
CATCH	91ATHDRCTBS	91ATHDRCTBS	91ATHDRCTBS
LATCH	91ATHBLATCH	91ATHNMLATCH	91ATHNMLATCH
SHELF ANGLED	--	--	--
SHELF SUPPORT 11.5"	91ATHBLSHS11	91ATHBLSHS11	--
SHELF SUPPORT 12"	91ATHBLSHS12	91ATHNMSHS12	--

Carefully unpack and familiarize yourself with all parts and diagrams to facilitate the assembly of your Athens Modular V2.

**TOOLS REQUIRED:**  
phillips screw driver, drill and 1/4" drill bit (not supplied)

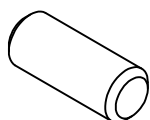
## ASSEMBLY HARDWARE

Athens Tuxedo Black - 91ATHBKHDW18

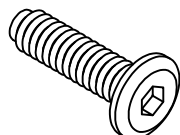
Athens Nimbus - 91ATHNMHDW15

Athens Stratus - 91ATHSTHDW13

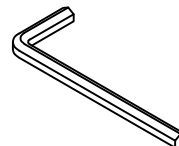
\* PARTS ARE NOT ABLE TO BE ORDERED, FOR ASSISTANCE PLEASE CONTACT YOUR LOCAL STORE OR ARHAUS CONCIERGE



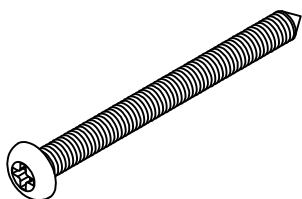
C. Dowel Ø8 x 20  
( 2 pcs )



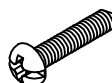
D. JCBC M6 x 25  
( 4 pcs )



E. Allen Key  
( 1 pcs )



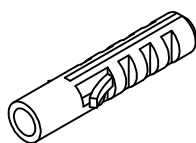
F. Screw PAB Ø8 x 1 1/2"  
( 1 pc )



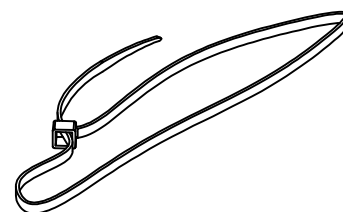
G. Screw PAB Ø6 x 5/8"  
( 1 pc )



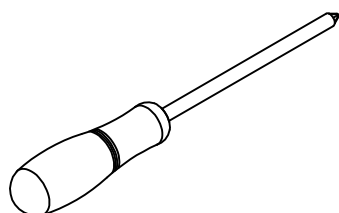
H. Wall Fitting / "D" Bracket  
( 2 pcs )



I. Plastic Anchor / Fischer S6  
( 1 pc )



J. Wall Strap / Plastic Tie 25 cm  
( 1 pc )



K. Phillips Screw Driver  
( Not Include )



L. Drill & 1/4 " Drill Bit  
( Not Include )

## STEP 1 " JOIN TWO MODULES "

### THIS STEP REQUIRES:

- A. 2 ATHENS OTHER BASE UNIT
- B. 2 ATHENS RIGHT END PANEL BASE
- C. DOWEL Ø8 x 20 (2 pcs)

D. JCBC M6 x 25 (4 pcs)

E. ALLEN KEY (2 pcs)

*Note : Module A are exchangeable with the other Module*

FIG. 1

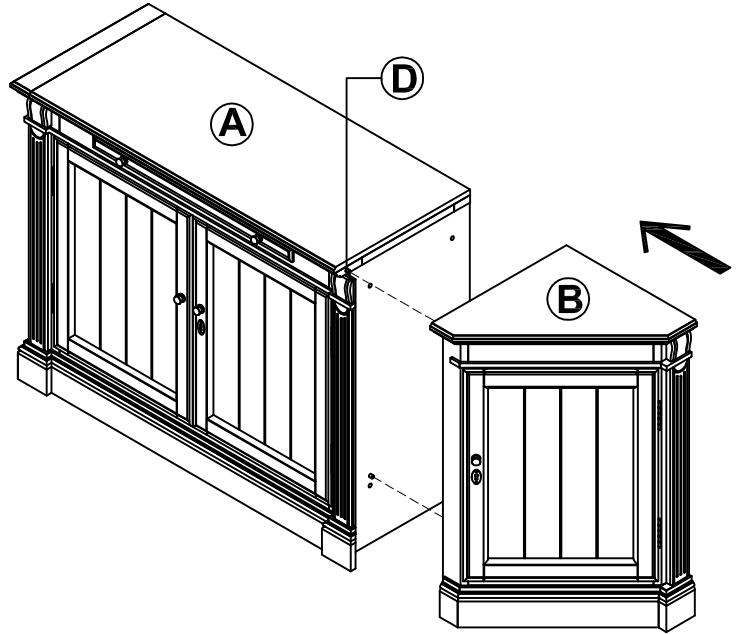
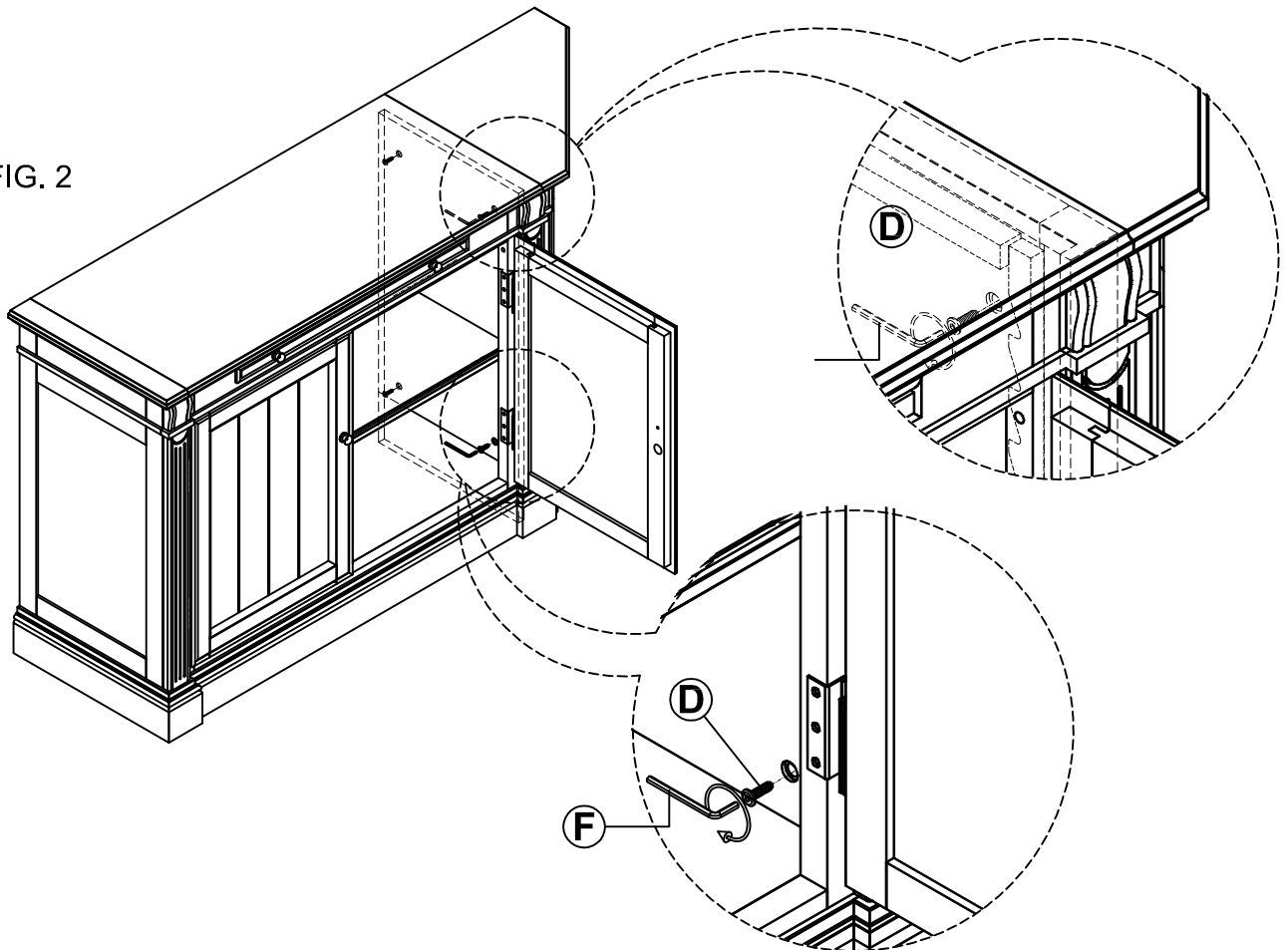


FIG. 2



## STEP 2 " SAFETY MOUNTING ASSEMBLY "

### THIS STEP REQUIRES:

F. SCREW Ø8 x 1 1/2"

G. SCREW Ø6 x 5/8"

H. WALL FITTING/"D" BRACKET

I. PLASTIC ANCHOR / FISCHER S6

J. WALL STRAP / PLASTIC TIE 25 cm

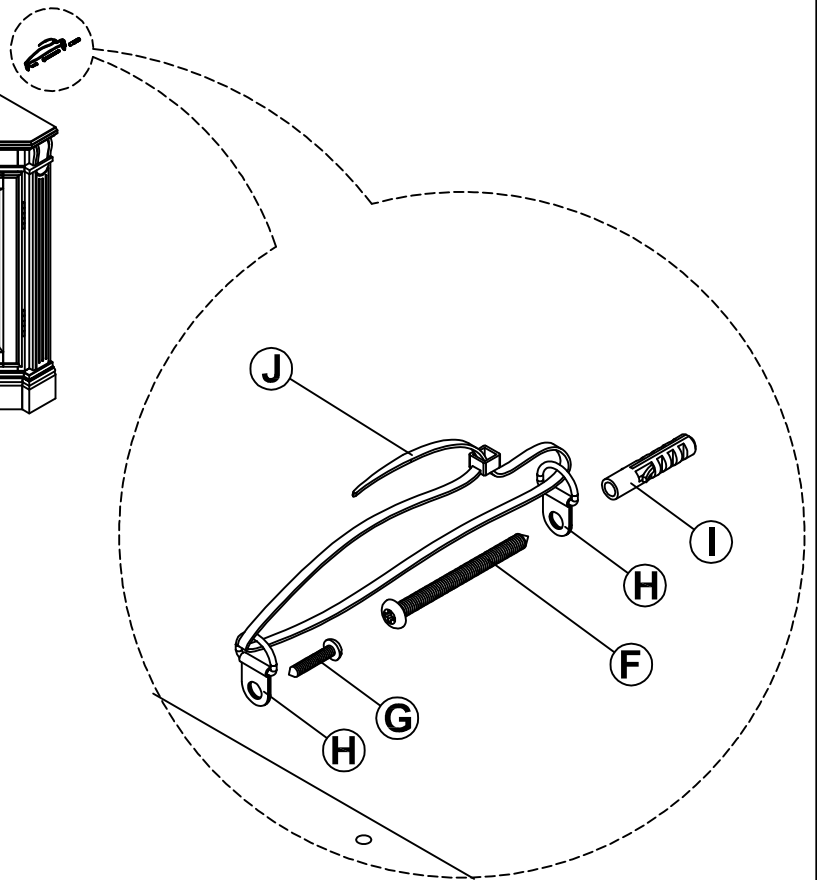
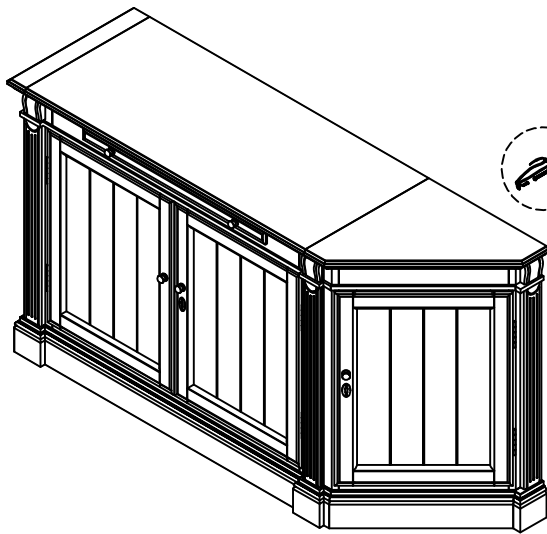
K. PHILLIPS SCREW DRIVER (NOT INCLUDED)

L. DRILL & 1/4" DRILL BIT (NOT INCLUDED)

### Installation Instructions:

For added safety and stability, it is recommended that the wall mounting hardware be installed. For safe mounting, it is essential to use wall anchors appropriate to your wall type (i.e. Plaster, drywall, concrete, etc.). Mount to wood studs whenever possible.

- Attach **1 pc of wall fitting** to furniture as shown, using **small screw**.
- Determine the final position for the furniture. Mark position on the wall approximately 2" below the bracket mounted to the back of the unit.
- Drill a hole in the wall stud. If the wall stud is not available, drill a hole in the wall that is slightly smaller in diameter than the anchor. Gently tap the **plastic anchor** until the flange of the anchor is flush with the wall.
- Attach the **wall fitting** to the wall by inserting **large screw** through the wall fitting and into the **plastic anchor** in the wall.
- Place the unit so the wall fitting on the back edge is aligned with the wall fitting on the wall.
- Lace one end of the **wall strap** through both fittings, and into the other end of the strap.
- Pull the strap tightly until secure.

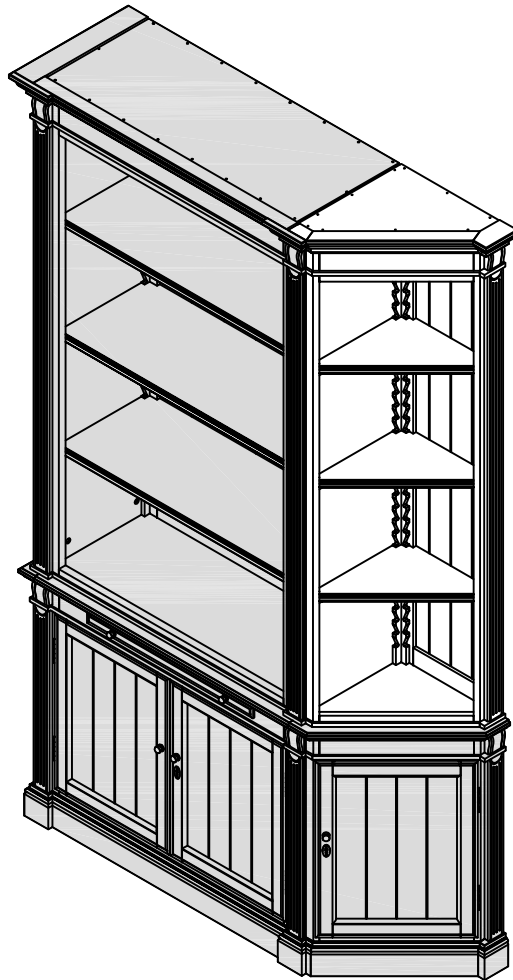


**Any damage incurred to the furniture or the wall as a result of improper installation of this restraint will be the responsibility of the owner.**

# ASSEMBLY INSTRUCTIONS

for

## 2 ATHENS RIGHT END ANGLED TOP

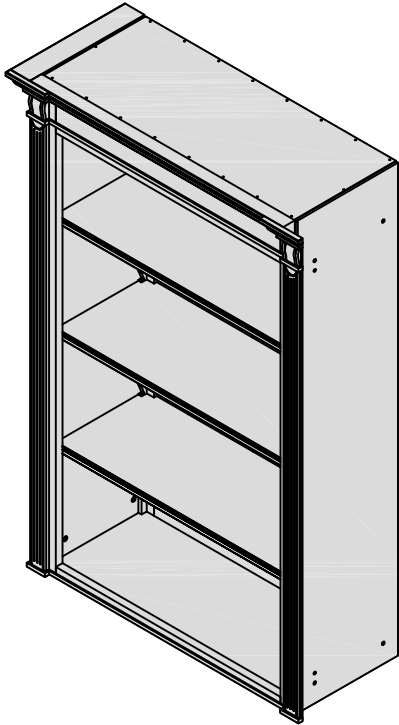




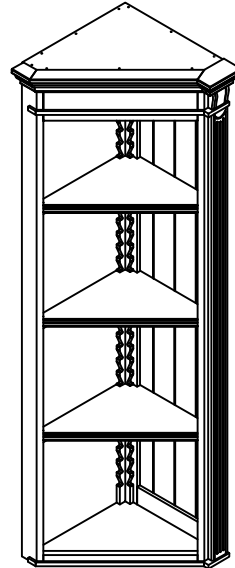
Carefully unpack and familiarize yourself with all parts and diagrams to facilitate the assembly of your Athens Modular V2.

**TOOLS REQUIRED:**  
phillips screw driver, drill and 1/4" drill bit (not supplied)

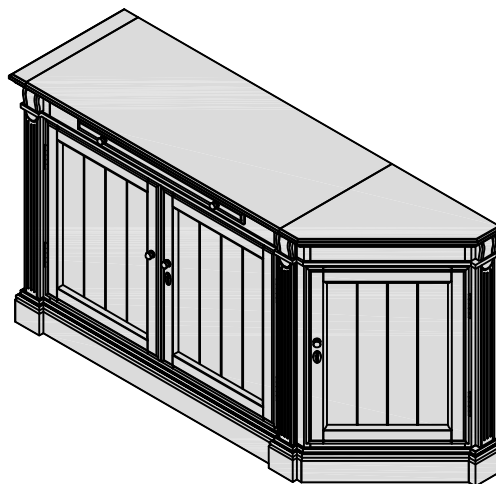
## CABINET PARTS



**A. 2 Athens - Other Top Unit ( 1 pc )**



**B. 2 Athens - Right End Angled Top ( 1 pc )**  
Athens Tuxedo Black - 40ATHRETPBL2  
Athens Nimbus - 40ATHRETPNM2  
Athens Stratus - 40ATHRETPST2



**C. 2 Athens - Base with  
Right End Angled Base( 1 Set )**

Carefully unpack and familiarize yourself with all parts and diagrams to facilitate the assembly of your Athens Modular V2.

**TOOLS REQUIRED:**  
 phillips screw driver, drill and 1/4" drill bit (not supplied)

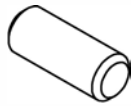
**ASSEMBLY HARDWARE**

Athens Tuxedo Black - 91ATHBKHDW19

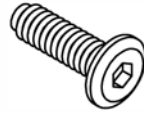
Athens Nimbus - 91ATHNMHDW16

Athens Stratus - 91ATHSTHDW14

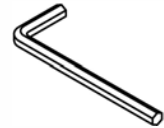
\* PARTS ARE NOT ABLE TO BE ORDERED, FOR ASSISTANCE PLEASE CONTACT YOUR LOCAL STORE OR ARHAUS CONCIERGE



D. Dowel Ø8 x 20 ( 2 pcs )



E. JCBC M6 x 25( 4 pcs )



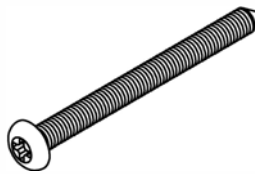
F. Allen Key ( 1 pcs )



G. Connector Bar ( 2 pcs ) attached



H. Screw Ø6 x 3/4" ( 4 pcs ) attached



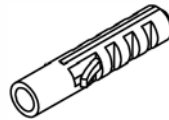
I. Screw PAB Ø8 x 1 1/2" ( 1 pc )



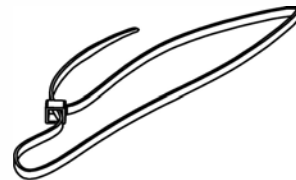
J. Screw PAB Ø6 x 5/8" ( 1 pc )



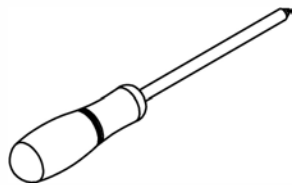
K. Wall Fitting / "D" Bracket ( 2 pcs )



L. Plastic Anchor / Fischer S6 ( 1 pc )



M. Wall Strap / Plastic Tie 25 cm ( 1 pc )



N. Phillips Screw Driver ( Not Include )



O. Drill & 1/4 " Drill Bit ( Not Include )

DESCRIPTION	BLACK	NIMBUS	STRATUS
STOCK SKU	40ATHRETPBL2	40ATHRETPNM2	40ATHRETPST2
ASSEMBLY HARDWARE	91ATHBKHDW19	91ATHNMHDW16	91ATHSTHDW14
ANTI-TIP KIT	91ATHENSTIP	91ATHENSTIP	91ATHENSTIP
MENDING PLATE	91ATHSMNDPLT	91ATHSMNDPLT	91ATHSMNDPLT
LOCK	91ATHBLLOCK	91ATHNMLOCK	91ATHNMLOCK
KEY	91511ATHKEY	91511NIMKEY	91511NIMKEY
KNOBS	91ATHBLKNOB	91ATHNMKNOB	91ATHNMKNOB
HINGE	91511ATHHNG	91511ATHHNG	91511ATHHNG
CATCH	91ATHDRCTBS	91ATHDRCTBS	91ATHDRCTBS
LATCH	91ATHBLLATCH	91ATHNMLATCH	91ATHNMLATCH
SHELF ANGLED	--	--	--
SHELF SUPPORT 11.5"	91ATHBLSHS11	91ATHBLSHS11	--
SHELF SUPPORT 12"	91ATHBLSHS12	91ATHNMSHS12	--

## STEP 1 " JOIN TWO MODULES "

### THIS STEP REQUIRES:

A. 2 ATHENS OTHER TOP UNIT

B. 2 ATHENS RIGHT END ANGLED TOP

C. 2 ATHENS BASE WITH RIGHT END ANGLED BASE

D. DOWEL Ø8 x20 (2 pcs)

E. JCBC M6 x 25 (4 pcs)

F. ALLEN KEY (1 pcs)

*Note : Module A and C are exchangeable with the other Module*

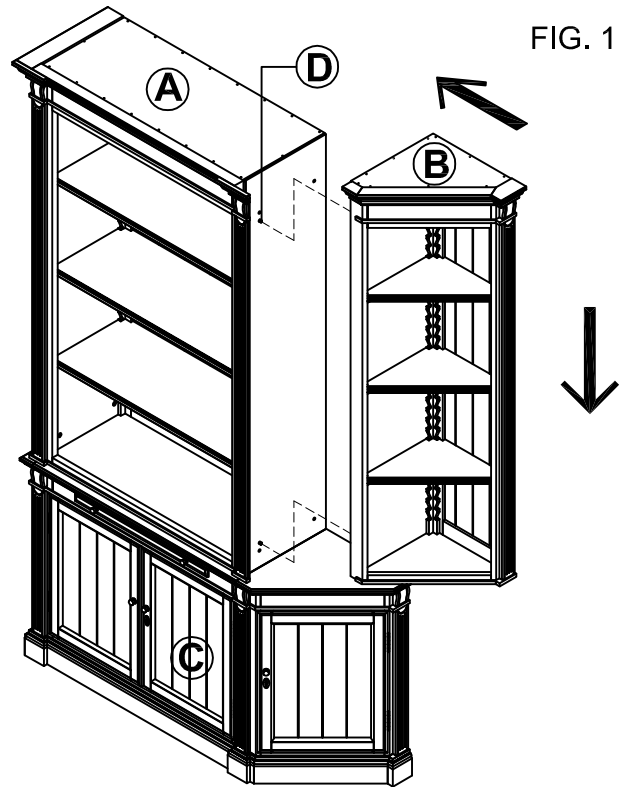
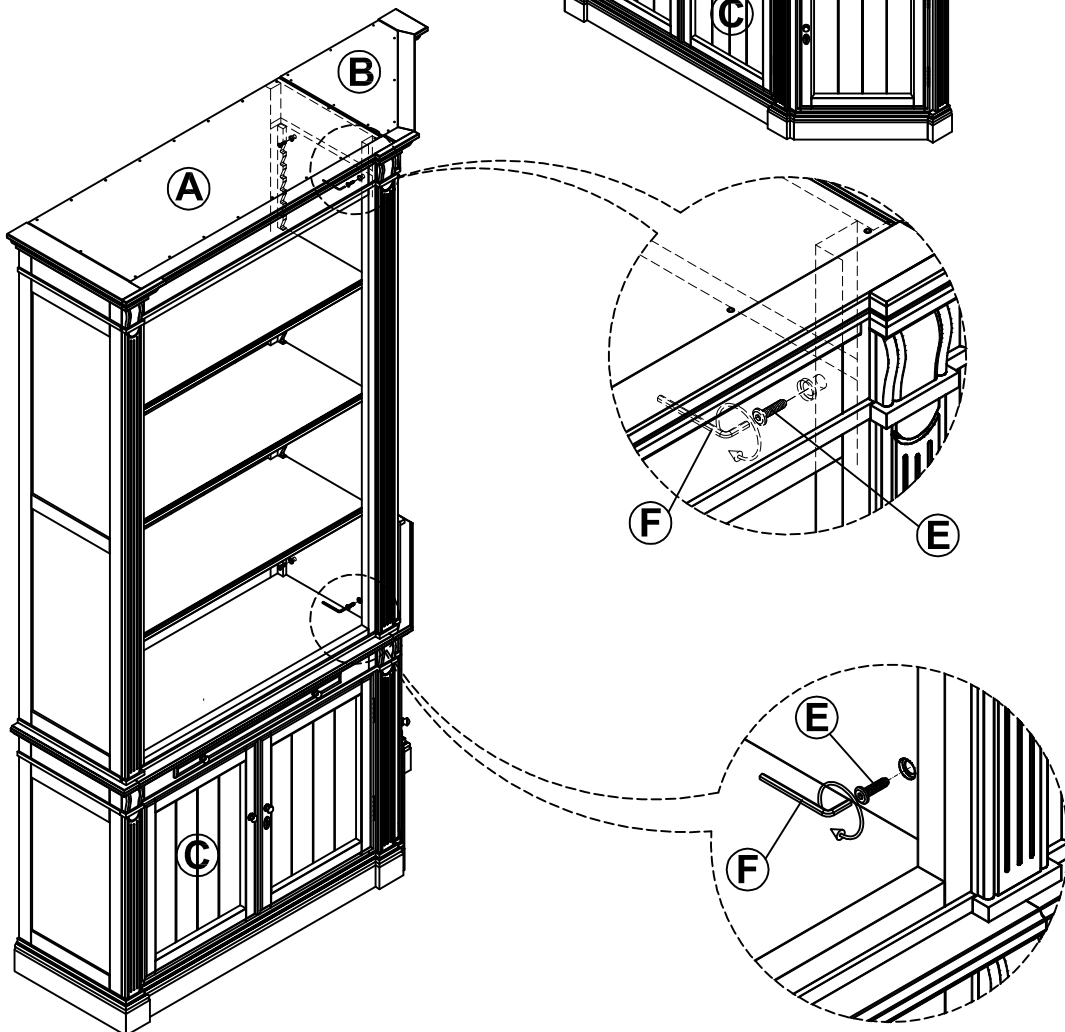


FIG. 2



## STEP 2 " SECURE - 2 ATHENS BOOKCASE TOP "

### THIS STEP REQUIRES:

G. CONNECTOR BAR (attached; 2 pcs)

H. SCREW  $\text{\O}6 \times 3/4"$  (attached; 4 pcs)

N. PHILLIPS SCREW DRIVER ( NOT INCLUDED)

FIG. 3

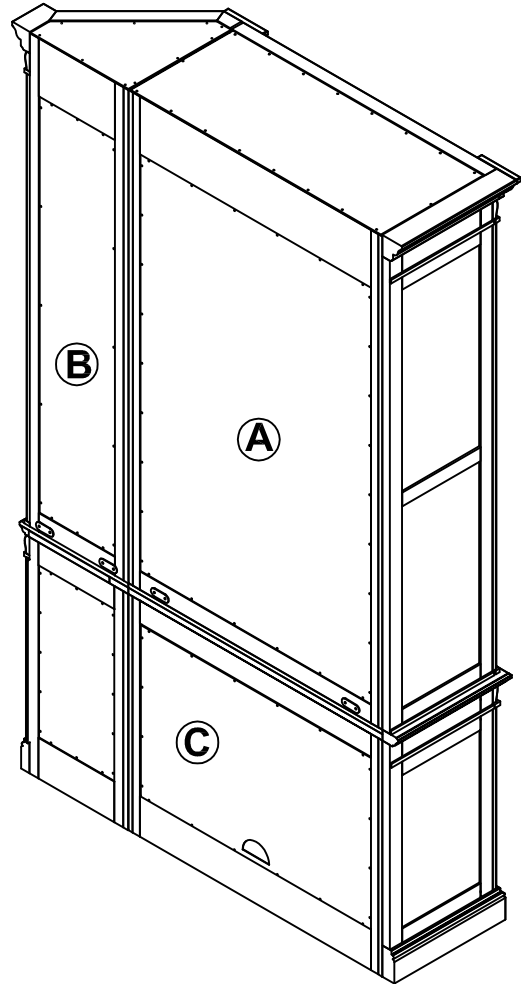
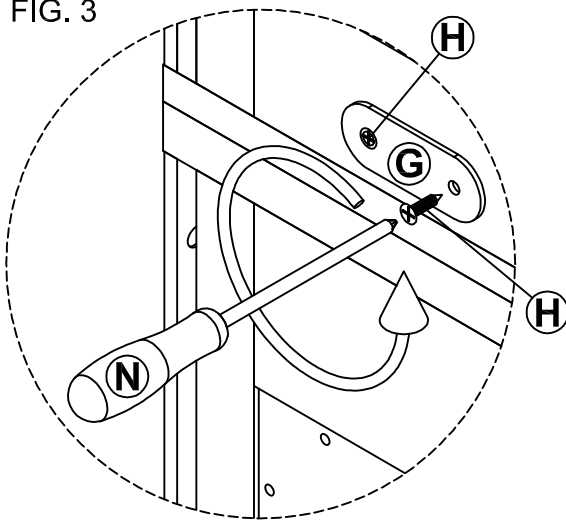


FIG. 4

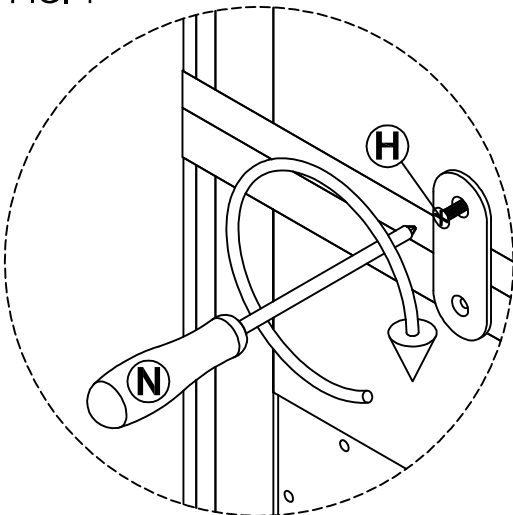
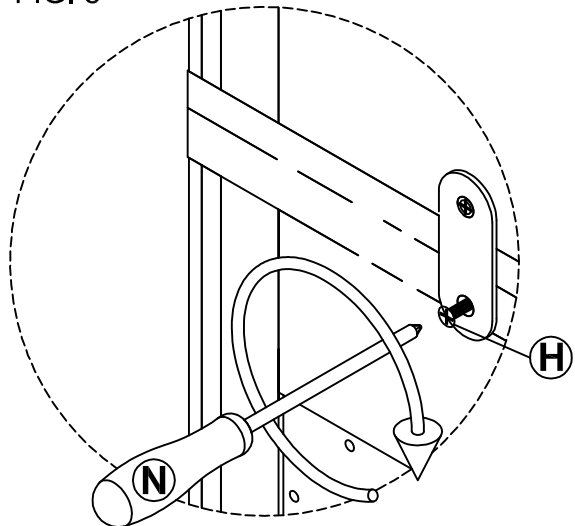


FIG. 5



### STEP 3 " SAFETY MOUNTING ASSEMBLY "

#### THIS STEP REQUIRES:

I. SCREW Ø8 x 1 1/2"

J. SCREW Ø6 x 5/8"

K. WALL FITTING/"D" BRACKET

L. PLASTIC ANCHOR / FISCHER S6

M. WALL STRAP / PLASTIC TIE 25 cm

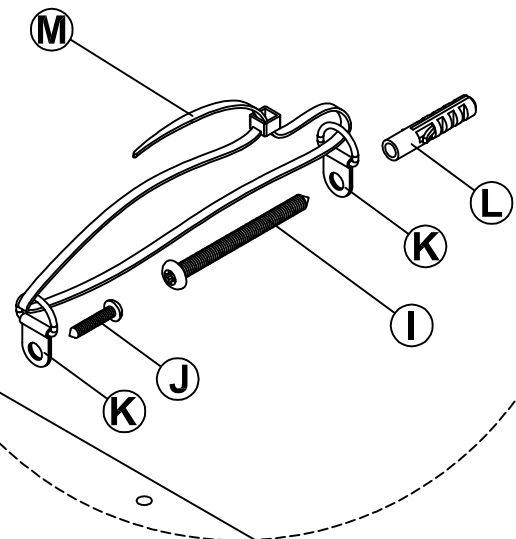
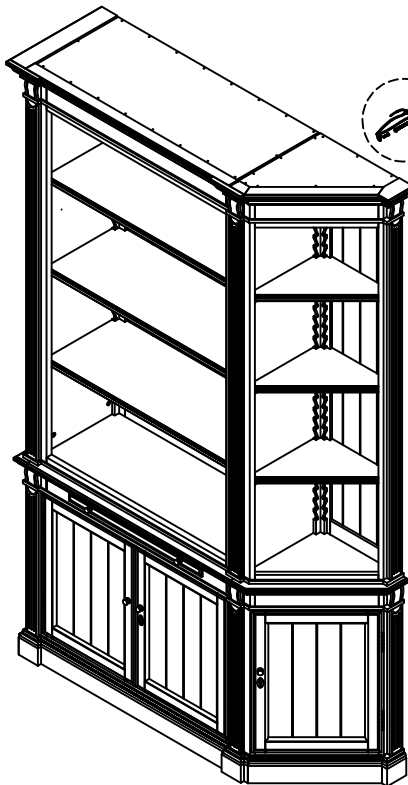
N. PHILLIPS SCREW DRIVER (NOT INCLUDED)

O. DRILL & 1/4" DRILL BIT (NOT INCLUDED)

#### Installation Instructions:

For added safety and stability, it is recommended that the wall mounting hardware be installed. For safe mounting, it is essential to use wall anchors appropriate to your wall type (i.e. Plaster, drywall, concrete, etc.). Mount to wood studs whenever possible.

- Attach **1 pc of wall fitting** to furniture as shown, using **small screw**.
- Determine the final position for the furniture. Mark position on the wall approximately 2" below the bracket mounted to the back of the unit.
- Drill a hole in the wall stud. If the wall stud is not available, drill a hole in the wall that is slightly smaller in diameter than the anchor. Gently tap the **plastic anchor** until the flange of the anchor is flush with the wall.
- Attach the **wall fitting** to the wall by inserting **large screw** through the wall fitting and into the **plastic anchor** in the wall.
- Place the unit so the wall fitting on the back edge is aligned with the wall fitting on the wall.
- Lace one end of the **wall strap** through both fittings, and into the other end of the strap.
- Pull the strap tightly until secure.

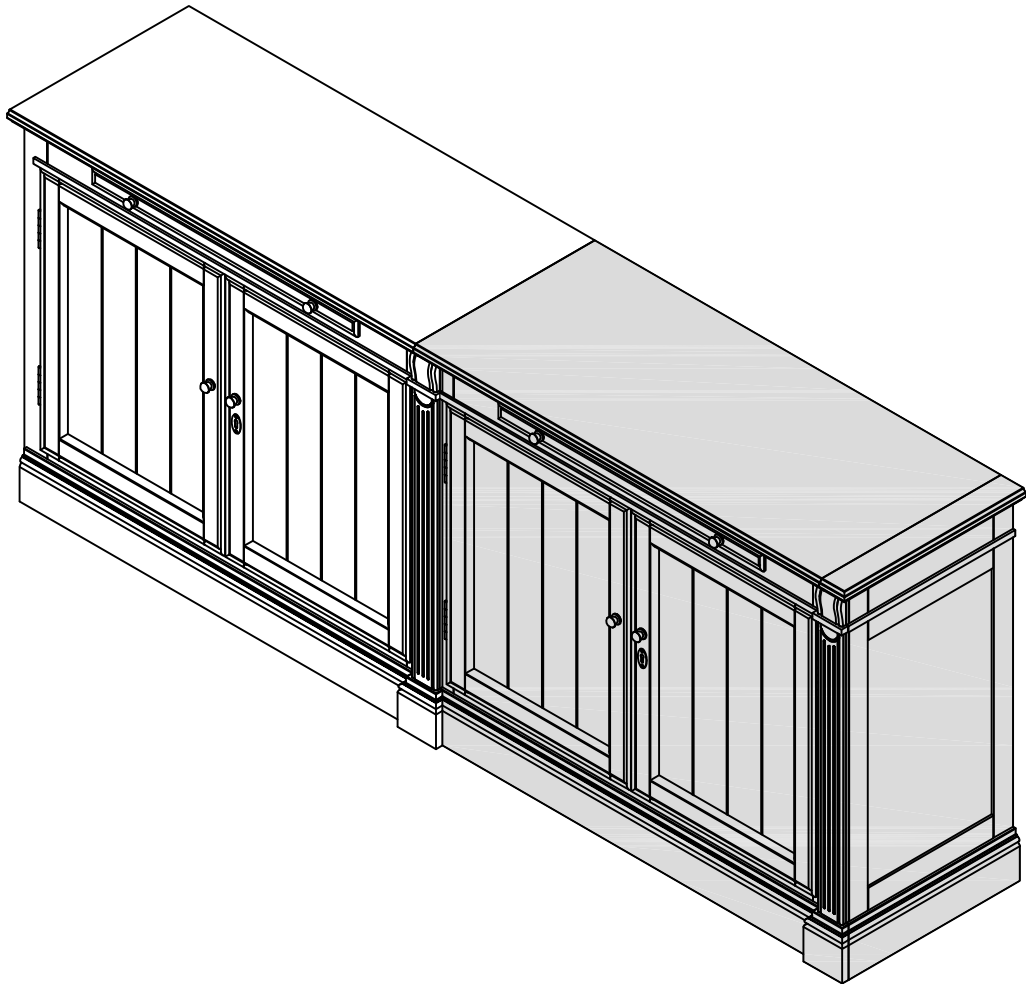


**Any damage incurred to the furniture or the wall as a result of improper installation of this restraint will be the responsibility of the owner.**

# ASSEMBLY INSTRUCTIONS

for

## 2 ATHENS SINGLE MODULAR BASE



Carefully unpack and familiarize yourself with all parts and diagrams to facilitate the assembly of your Athens Modular V2.

**TOOLS REQUIRED:**  
 phillips screw driver, drill and 1/4" drill bit (not supplied)

## CABINET PARTS



### A. 2 Athens - Single Modular Base ( 1 pc )

Athens Tuxedo Black - 40ATHSBSBL2

Athens Nimbus - 40ATHSBSNM2

Athens Stratus - 40ATHSBSST2

### B. 2 Athens - Other Base Unit ( 1 pc )

DESCRIPTION	BLACK	NIMBUS	STRATUS
STOCK SKU	40ATHSBSBL2	40ATHSBSNM2	40ATHSBSST2
ASSEMBLY HARDWARE	91ATHBKHDW12	91ATHNMHDW6	91ATHSTHDW18
ANTI-TIP KIT	91ATHENSTIP	91ATHENSTIP	91ATHENSTIP
MENDING PLATE	91ATHSMNDPLT	91ATHSMNDPLT	91ATHSMNDPLT
LOCK	91ATHBLLOCK	91ATHNMLOCK	91ATHNMLOCK
KEY	91511ATHKEY	91511NIMKEY	91511NIMKEY
KNOBS	91ATHBLKNOB	91ATHNMKNOB	91ATHNMKNOB
HINGE	91511ATHHNG	91511ATHHNG	91511ATHHNG
CATCH	91ATHDRCTBS	91ATHDRCTBS	91ATHDRCTBS
LATCH	91ATHBLLATCH	91ATHNMLATCH	91ATHNMLATCH
SHelf 13"D	91ATHBLDSHF	91ATHNMDSHF	91ATHSTDShF
SHelf SUPPORT 12"D	91ATHBLSHS12	91ATHNMSHS12	--
HOLE COVERING	9151LIDBLK	--	--

Carefully unpack and familiarize yourself with all parts and diagrams to facilitate the assembly of your Athens Modular V2.

**TOOLS REQUIRED:**  
phillips screw driver, drill and 1/4" drill bit (not supplied)

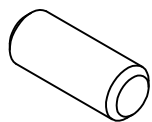
## ASSEMBLY HARDWARE

Athens Tuxedo Black - 91ATHBKHDW12

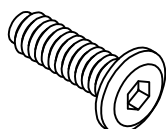
Athens Nimbus - 91ATHNMHDW6

Athens Stratus - 91ATHSTHDW18

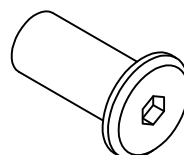
\* PARTS ARE NOT ABLE TO BE ORDERED, FOR ASSISTANCE PLEASE CONTACT YOUR LOCAL STORE OR ARHAUS CONCIERGE



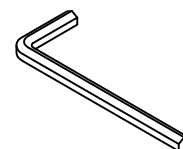
C. Dowel  $\varnothing 8 \times 20$   
( 2 pcs )



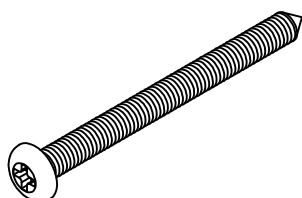
D. JCBC M6 x 20  
( 4 pcs )



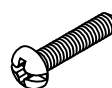
E. Sleeve Nut M6 x 19  
( 4 pcs )



F. Allen Key  
( 2 pcs )



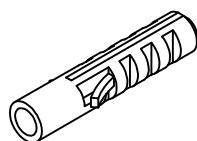
G. Screw PAB  $\varnothing 8 \times 1 \frac{1}{2}$ "  
( 1 pc )



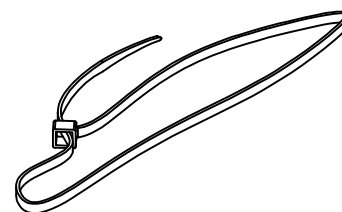
H. Screw PAB  $\varnothing 6 \times \frac{5}{8}$ "  
( 1 pc )



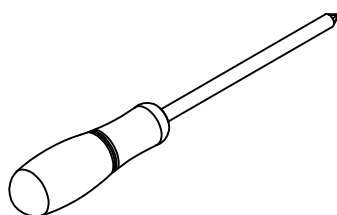
I. Wall Fitting / "D" Bracket  
( 2 pcs )



J. Plastic Anchor / Fischer S6  
( 1 pc )



K. Wall Strap / Plastic Tie 25 cm  
( 1 pc )



L. Phillips Screw Driver  
( Not Include )



M. Drill & 1/4 " Drill Bit  
( Not Include )



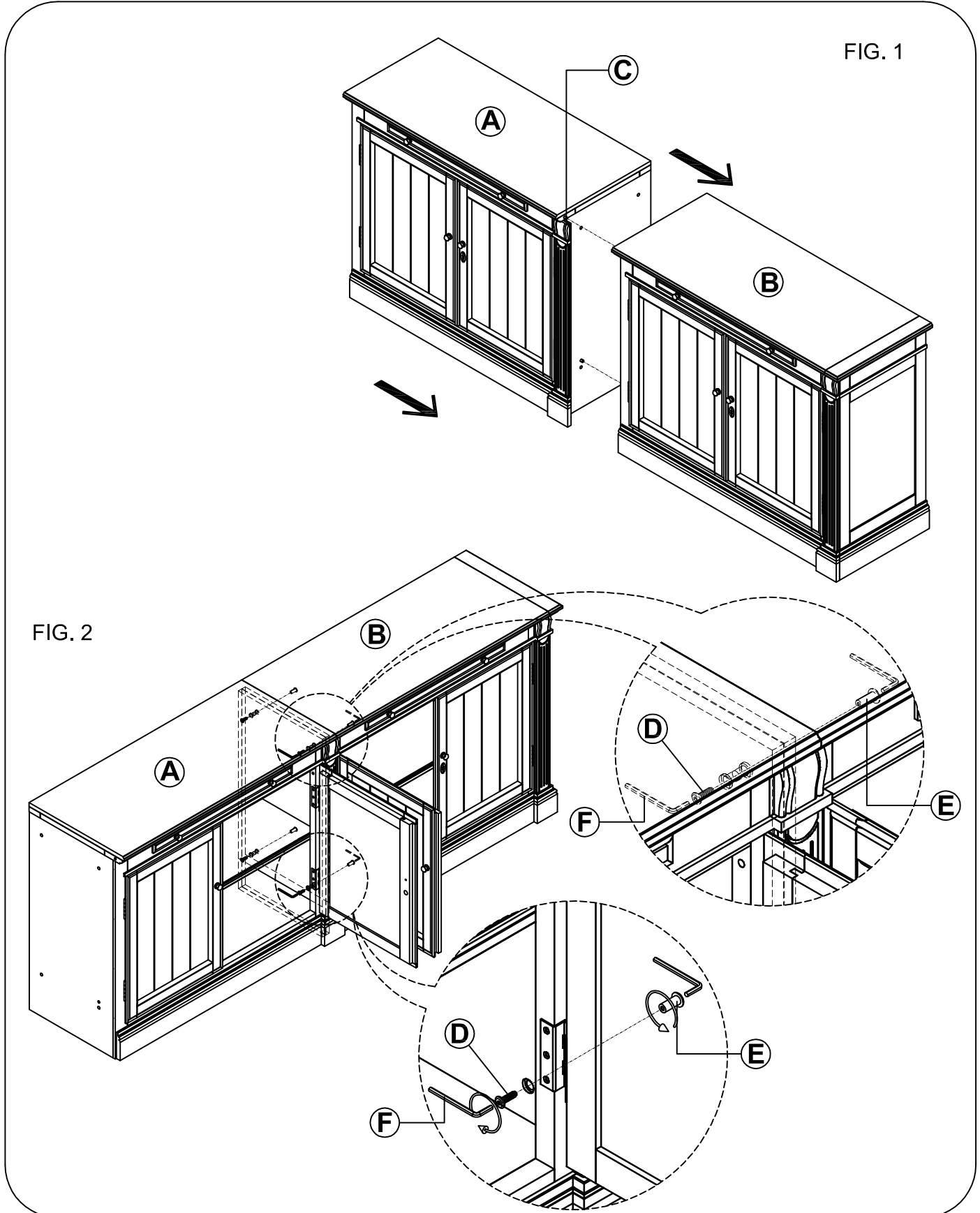
## STEP 1 " JOIN TWO MODULES "

### THIS STEP REQUIRES:

- A. 2 ATHENS SINGLE BASE
- B. 2 ATHENS OTHER BASE UNIT
- C. DOWEL Ø8 x20 (2 pcs)

- D. JCBC M6 x 20 (4 pcs)
- E. SLEEVE NUT M6 x 19 (4 pcs)
- F. ALLEN KEY (2 pcs)

Note : Module B are exchangeable with the other Module



## STEP 2 " SAFETY MOUNTING ASSEMBLY "

### THIS STEP REQUIRES:

G. SCREW  $\varnothing 8 \times 1 \frac{1}{2}$ "

H. SCREW  $\varnothing 6 \times 5/8$ "

I. WALL FITTING/"D" BRACKET

J. PLASTIC ANCHOR / FISCHER S6

K. WALL STRAP / PLASTIC TIE 25 cm

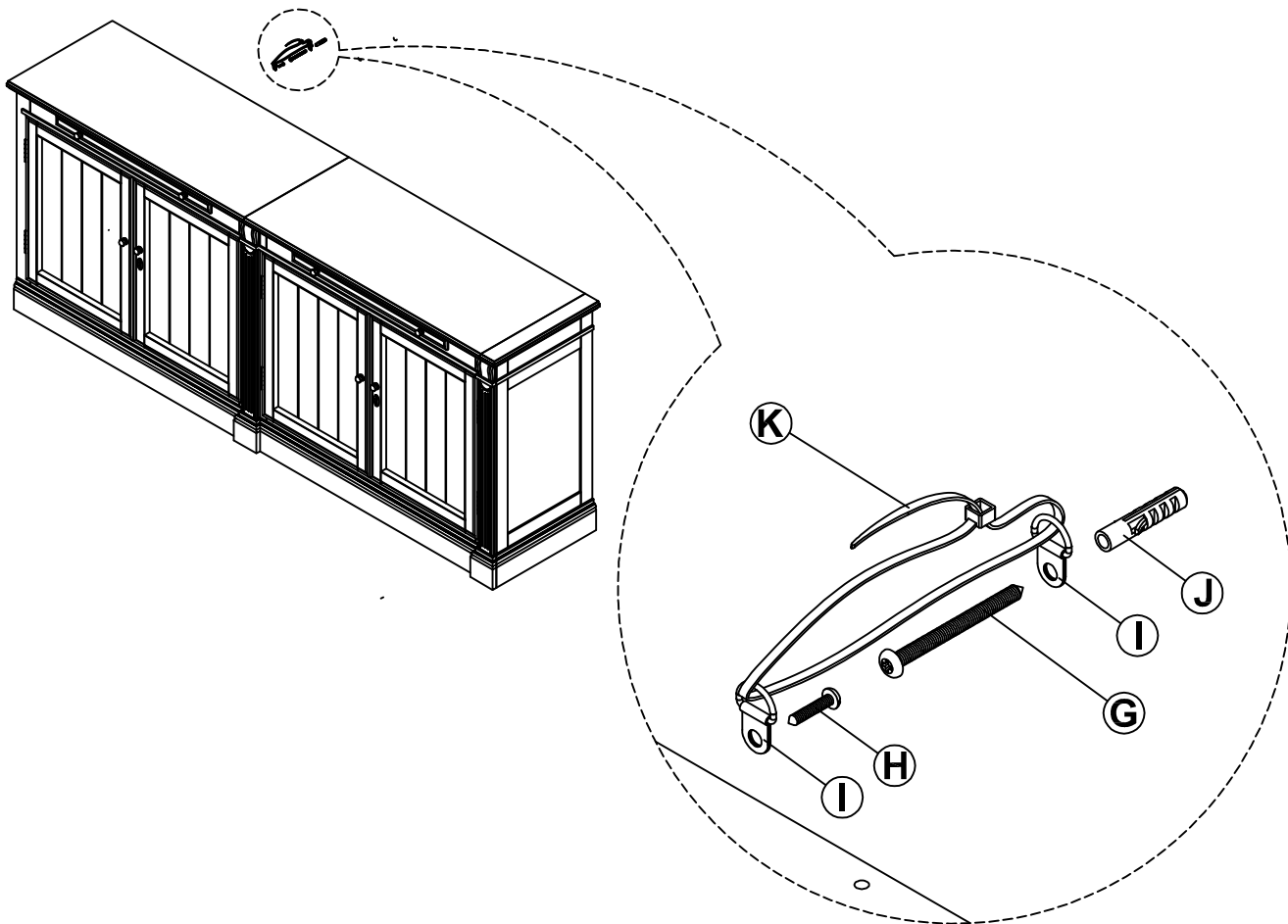
L. PHILLIPS SCREW DRIVER (NOT INCLUDED)

M. DRILL & 1/4" DRILL BIT (NOT INCLUDED)

#### Installation Instructions:

For added safety and stability, it is recommended that the wall mounting hardware be installed. For safe mounting, it is essential to use wall anchors appropriate to your wall type (i.e. Plaster, drywall, concrete, etc.). Mount to wood studs whenever possible.

- Attach **1 pc of wall fitting** to furniture as shown, using **small screw**.
- Determine the final position for the furniture. Mark position on the wall approximately 2" below the bracket mounted to the back of the unit.
- Drill a hole in the wall stud. If the wall stud is not available, drill a hole in the wall that is slightly smaller in diameter than the anchor. Gently tap the **plastic anchor** until the flange of the anchor is flush with the wall.
- Attach the **wall fitting** to the wall by inserting **large screw** through the wall fitting and into the **plastic anchor** in the wall.
- Place the unit so the wall fitting on the back edge is aligned with the wall fitting on the wall.
- Lace one end of the **wall strap** through both fittings, and into the other end of the strap.
- Pull the strap tightly until secure.

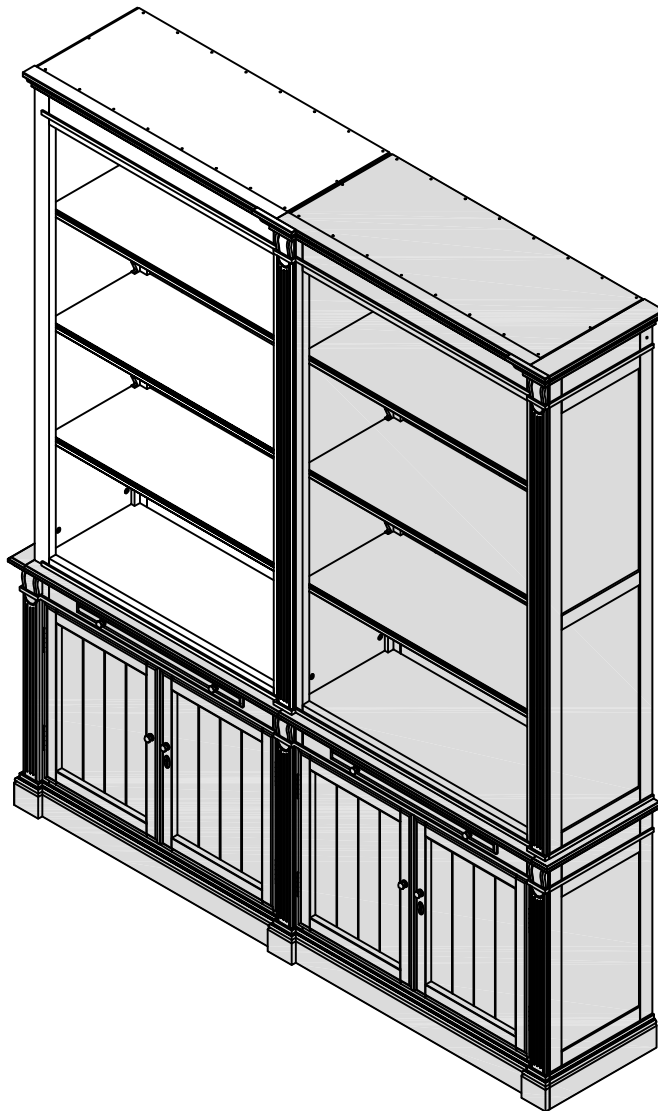


**Any damage incurred to the furniture or the wall as a result of improper installation of this restraint will be the responsibility of the owner.**

# ASSEMBLY INSTRUCTIONS

for

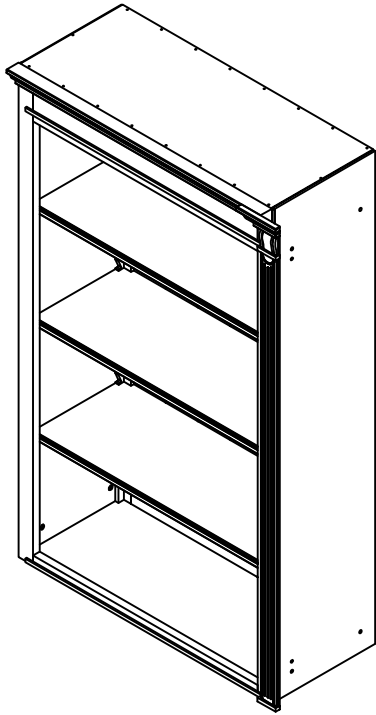
## 2 ATHENS BOOKCASE TOP



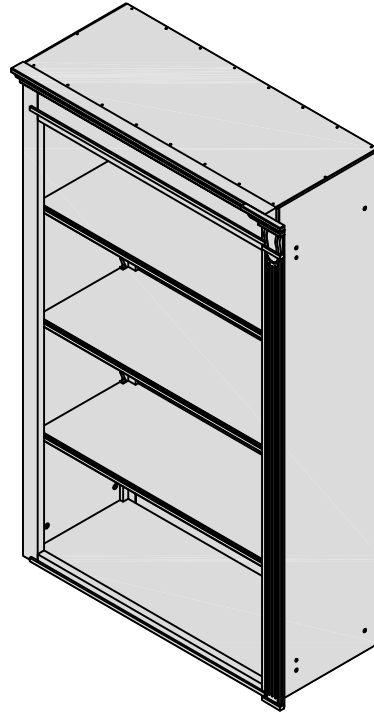
Carefully unpack and familiarize yourself with all parts and diagrams to facilitate the assembly of your Athens Modular V2.

**TOOLS REQUIRED:**  
phillips screw driver, drill and 1/4" drill bit (not supplied)

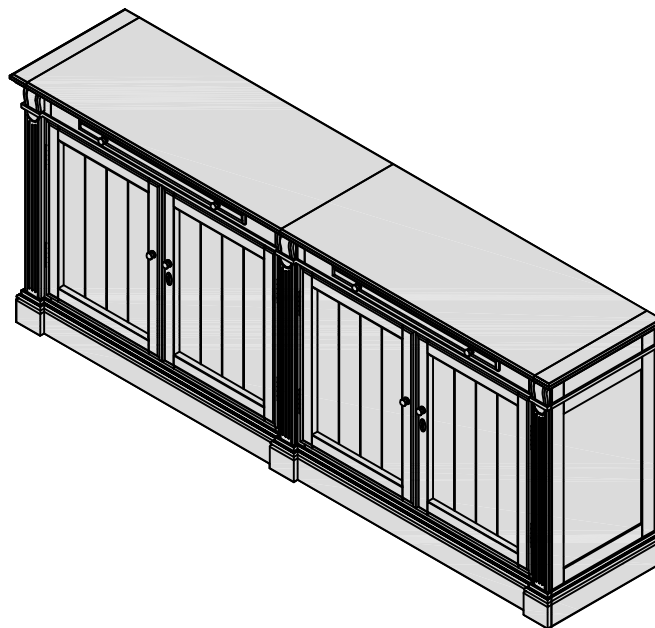
## CABINET PARTS



**A. 2 Athens - Bookcase Top ( 1 pc )**  
Athens Tuxedo Black - 40ATHBKTPBL2  
Athens Nimbus - 40ATHBKTPNM2  
Athens Stratus - 40ATHBKTPST2



**B. 2 Athens - Other Top Unit ( 1 pc )**



**C. 2 Athens - Base Assembly ( 1 Set )**

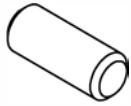
Carefully unpack and familiarize yourself with all parts and diagrams to facilitate the assembly of your Athens Modular V2.

**TOOLS REQUIRED:**  
 phillips screw driver, drill and 1/4" drill bit (not supplied)

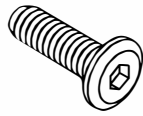
**ASSEMBLY HARDWARE**

Athens Tuxedo Black - 91ATHBKHDW14  
 Athens Nimbus - 91ATHNMHDW7  
 Athens Stratus - 91ATHSTHDW1

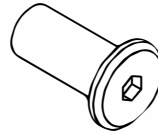
\* PARTS ARE NOT ABLE TO BE ORDERED, FOR ASSISTANCE PLEASE CONTACT YOUR LOCAL STORE OR ARHAUS CONCIERGE



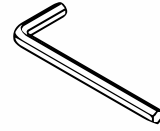
D. Dowel Ø8 x 20  
( 2 pcs )



E. JCBC M6 x 20  
( 4 pcs )



F. Sleeve Nut M6 x 19  
( 4 pcs )



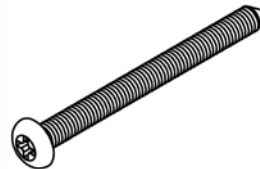
G. Allen Key  
( 2 pcs )



H. Connector Bar  
( 2 pcs )  
attached



I. Screw Ø6 x 3/4"  
( 4 pcs )  
attached



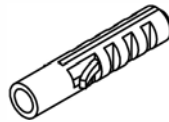
J. Screw PAB Ø8 x 1 1/2"  
( 1 pc )



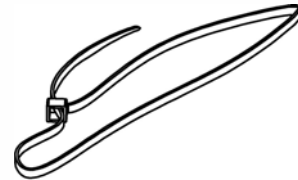
K. Screw PAB Ø6 x 5/8"  
( 1 pc )



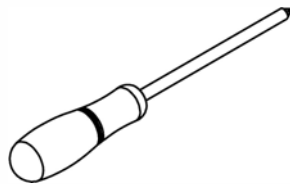
L. Wall Fitting / "D" Bracket  
( 2 pcs )



M. Plastic Anchor / Fischer S6  
( 1 pc )



N. Wall Strap / Plastic Tie 25 cm  
( 1 pc )



O. Phillips Screw Driver  
( Not Include )



P. Drill & 1/4 " Drill Bit  
( Not Include )

DESCRIPTION	BLACK	NIMBUS	STRATUS
STOCK SKU	40ATHBKTPBL2	40ATHBKTPNM2	40ATHBKTPST2
ASSEMBLY HARDWARE	91ATHBKHDW14	91ATHNMHDW7	91ATHSTHDW1
ANTI-TIP KIT	91ATHENSTIP	91ATHENSTIP	91ATHENSTIP
MENDING PLATE	91ATHSMNDPLT	91ATHSMNDPLT	91ATHSMNDPLT
SHELF 13"D	91ATHBLDSHF	91ATHNMDSHF	91ATHSTDSHF
SHELF SUPPORT 12"D	91ATHBLSHS12	91ATHNMSHS12	--
HOLE COVERING	9151LIDBLK	--	--

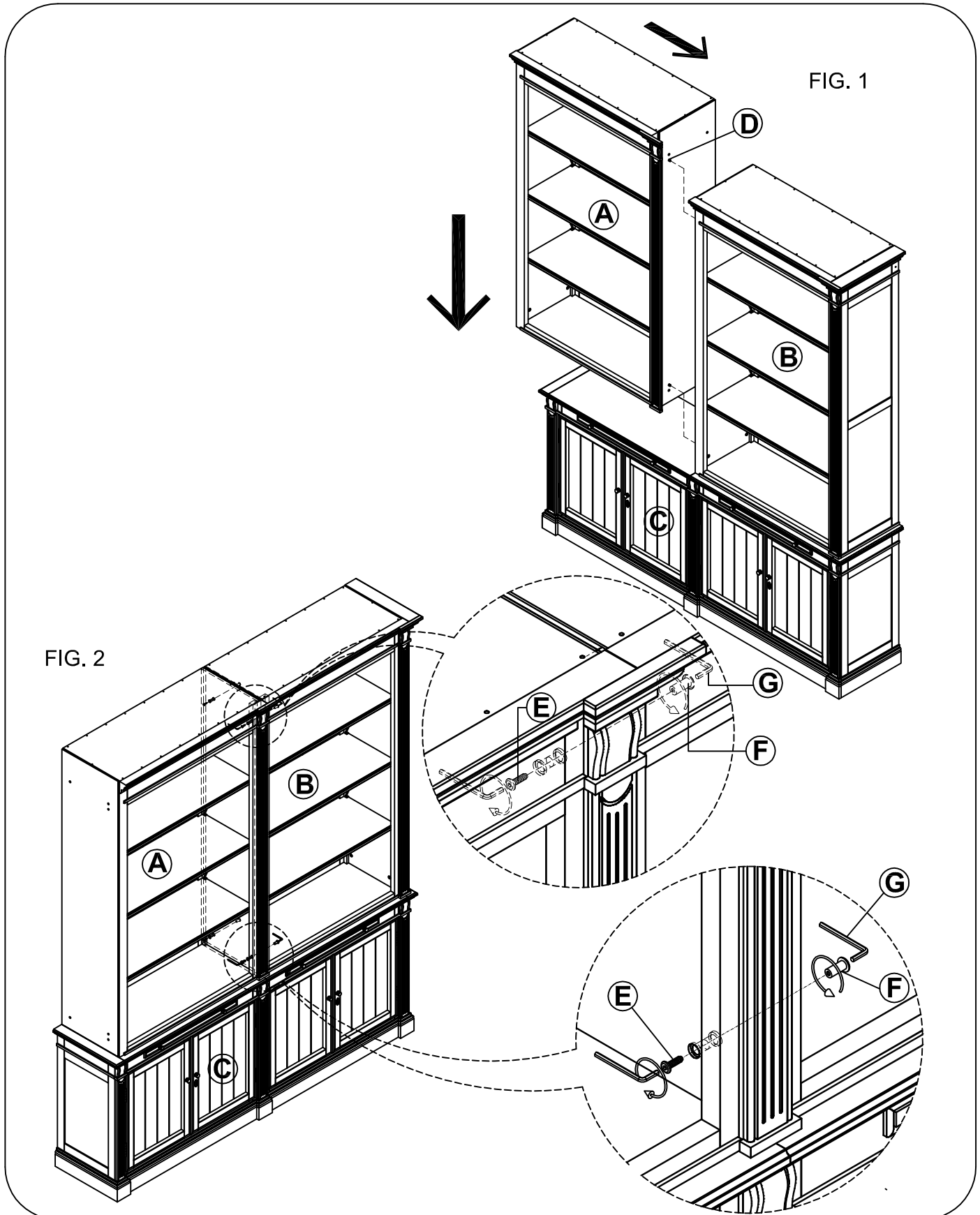
## STEP 1 " JOIN TWO MODULES "

### THIS STEP REQUIRES:

- A. 2 ATHENS BOOKCASE TOP
- B. 2 ATHENS OTHER TOP UNIT
- C. BASE UNIT ASSEMBLY

- D. DOWEL Ø8 x20 (2 pcs)
- E. JCBC M6 x 20 (4 pcs)
- F. SLEEVE NUT M6 x 19 (4 pcs)
- G. ALLEN KEY (2 pcs)

*Note : Module B and C are exchangeable with the other Module*



STEP 2 " SECURE - 2 ATHENS BOOKCASE TOP "

**THIS STEP REQUIRES:**

- H. CONNECTOR BAR (attached; 2 pcs)
- I. SCREW Ø6 x 3/4" (attached; 4 pcs)
- O. PHILLIPS SCREW DRIVER ( NOT INCLUDED)

FIG. 3

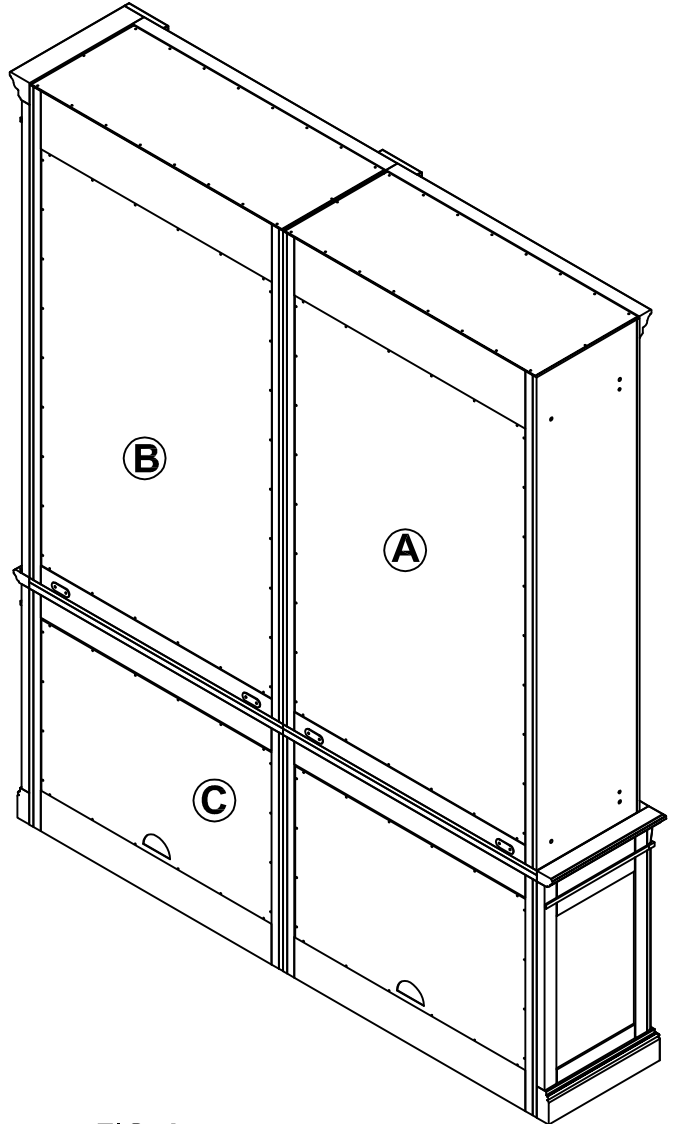
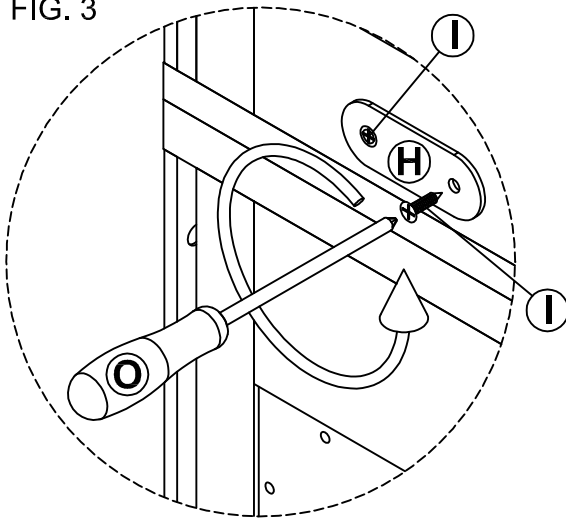


FIG. 3

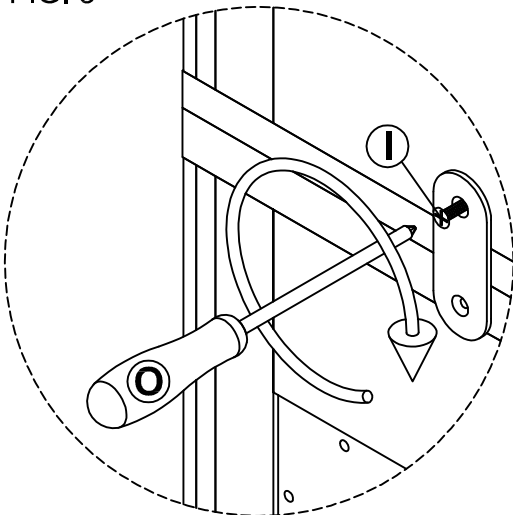
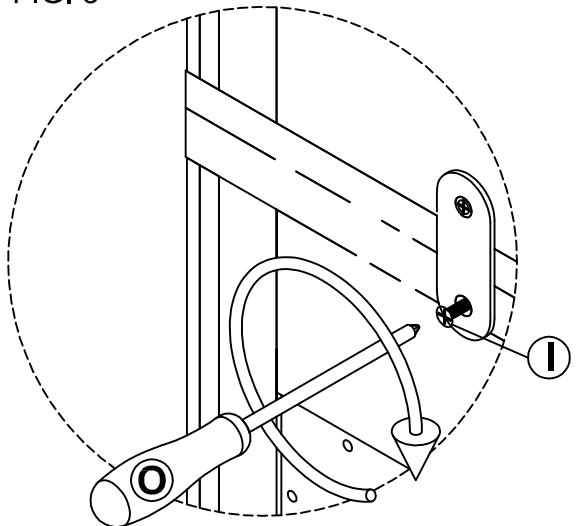


FIG. 3



### STEP 3 " SAFETY MOUNTING ASSEMBLY "

#### THIS STEP REQUIRES:

J. SCREW Ø8 x 1 1/2"

K. SCREW Ø6 x 5/8"

L. WALL FITTING/"D" BRACKET

M. PLASTIC ANCHOR / FISCHER S6

N. WALL STRAP / PLASTIC TIE 25 cm

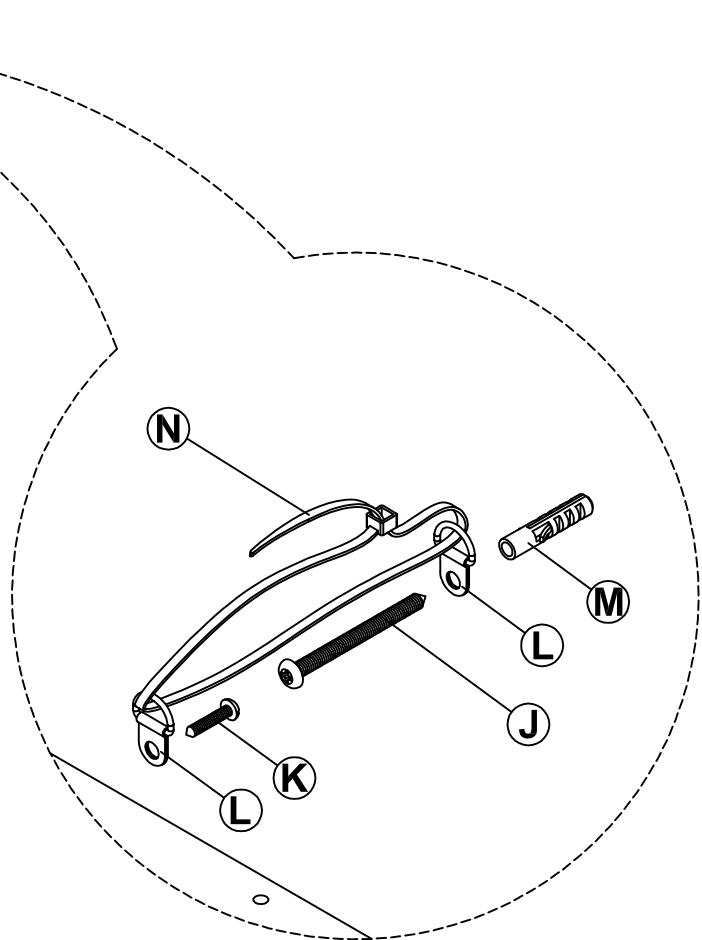
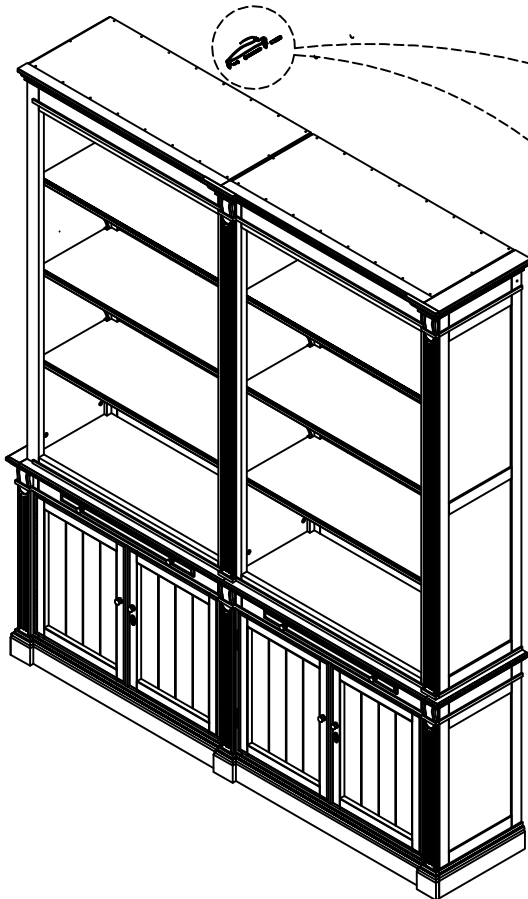
O. PHILLIPS SCREW DRIVER (NOT INCLUDED)

P. DRILL & 1/4" DRILL BIT (NOT INCLUDED)

#### Installation Instructions:

For added safety and stability, it is recommended that the wall mounting hardware be installed. For safe mounting, it is essential to use wall anchors appropriate to your wall type (i.e. Plaster, drywall, concrete, etc.). Mount to wood studs whenever possible.

- Attach **1 pc of wall fitting** to furniture as shown, using **small screw**.
- Determine the final position for the furniture. Mark position on the wall approximately 2" below the bracket mounted to the back of the unit.
- **Drill** a hole in the wall stud. If the wall stud is not available, drill a hole in the wall that is slightly smaller in diameter than the anchor. Gently tap the **plastic anchor** until the flange of the anchor is flush with the wall.
- Attach the **wall fitting** to the wall by inserting **large screw** through the wall fitting and into the **plastic anchor** in the wall.
- Place the unit so the wall fitting on the back edge is aligned with the wall fitting on the wall.
- Lace one end of the **wall strap** through both fittings, and into the other end of the strap.
- Pull the strap tightly until secure.



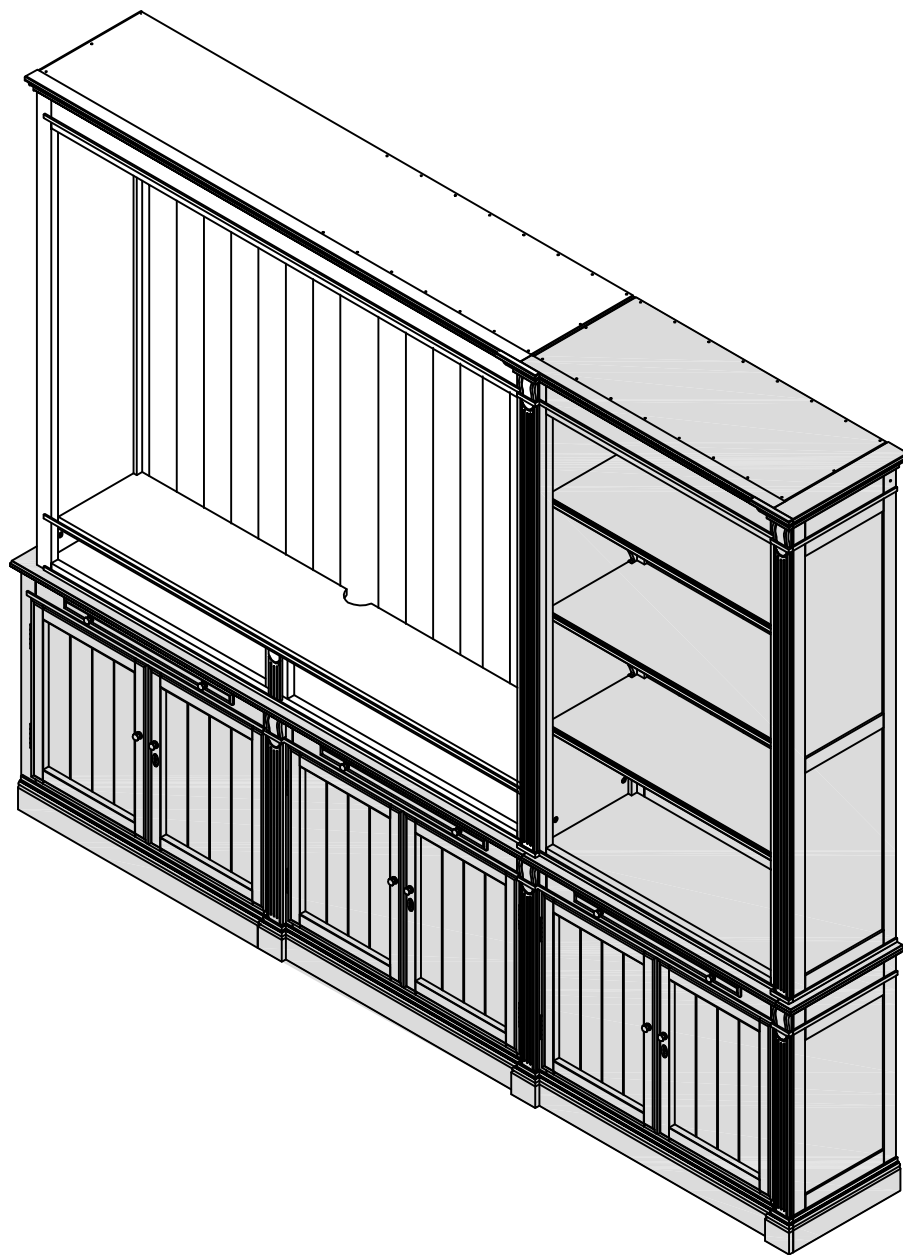
**Any damage incurred to the furniture or the wall as a result of improper installation of this restraint will be the responsibility of the owner.**



# ASSEMBLY INSTRUCTIONS

for

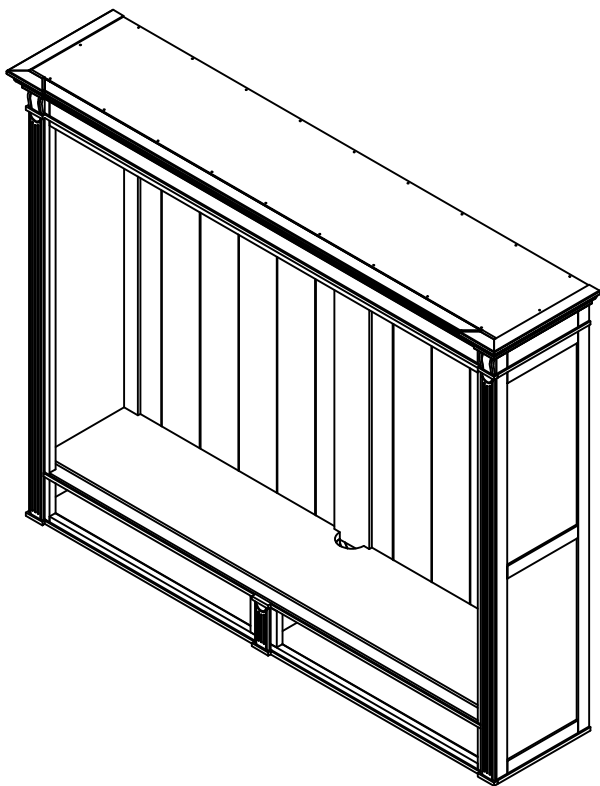
## 2 ATHENS WALL TV UNIT



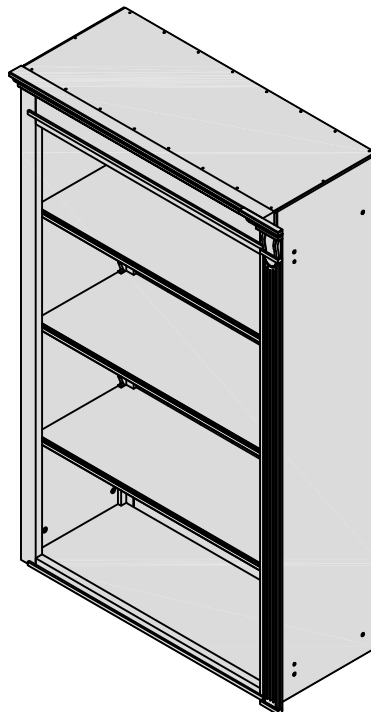
Carefully unpack and familiarize yourself with all parts and diagrams to facilitate the assembly of your Athens Modular V2.

**TOOLS REQUIRED:**  
phillips screw driver, drill and 1/4" drill bit (not supplied)

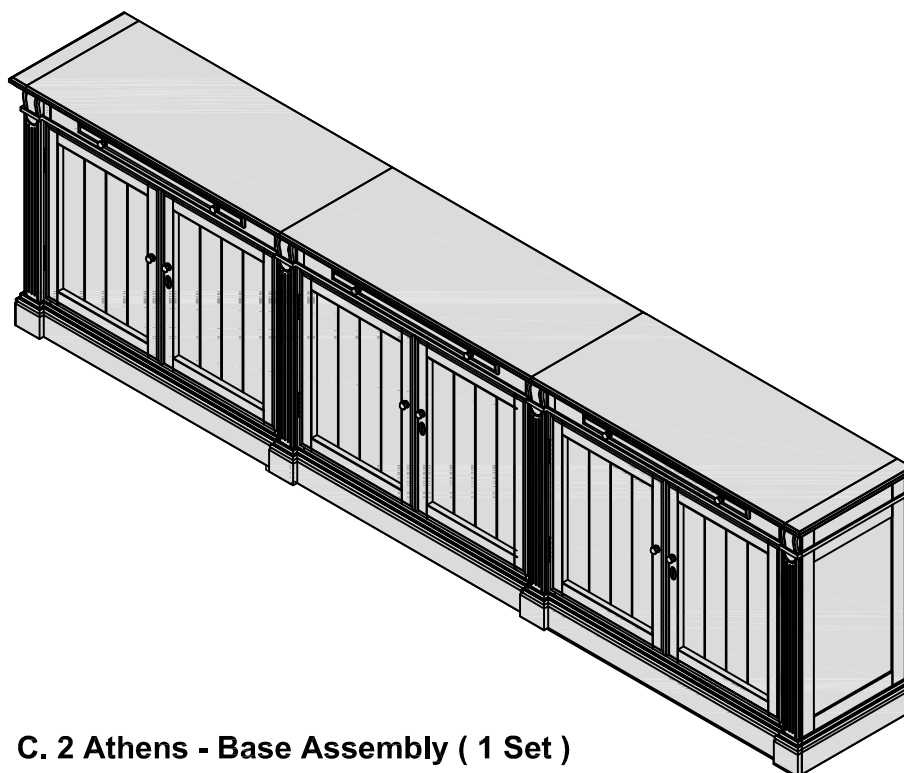
## CABINET PARTS



**A. 2 Athens - Wall Cabinet TV Unit ( 1 pc )**  
Athens Tuxedo Black - 40ATHTVTPBL2  
Athens Nimbus - 40ATHTVTPNM2  
Athens Stratus - 40ATHTVTPST2



**B. 2 Athens - Other Top Unit ( 1 pc )**



**C. 2 Athens - Base Assembly ( 1 Set )**

Carefully unpack and familiarize yourself with all parts and diagrams to facilitate the assembly of your Athens Modular V2.

**TOOLS REQUIRED:**  
 phillips screw driver, drill and 1/4" drill bit (not supplied)

### ASSEMBLY HARDWARE

Athens Tuxedo Black - 91ATHBKHDW13

Athens Nimbus -

Athens Stratus - 91ATHSTHDW19

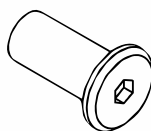
\* PARTS ARE NOT ABLE TO BE ORDERED, FOR ASSISTANCE PLEASE CONTACT YOUR LOCAL STORE OR ARHAUS CONCIERGE



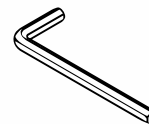
D. Dowel Ø8 x 20  
( 2 pcs )



E. JCBC M6 x 20  
( 4 pcs )



F. Sleeve Nut M6 x 19  
( 4 pcs )



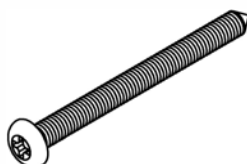
G. Allen Key  
( 2 pcs )



H. Connector Bar  
( 2 pcs )  
attached



I. Screw Ø6 x 3/4"  
( 4 pcs )  
attached



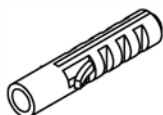
J. Screw PAB Ø8 x 1 1/2"  
( 2 pc )



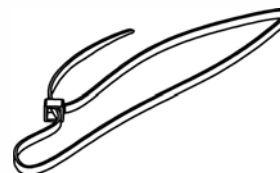
K. Screw PAB Ø6 x 5/8"  
( 2 pc )



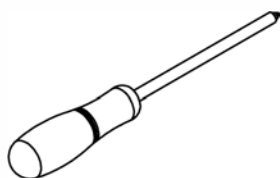
L. Wall Fitting / "D" Bracket  
( 4 pcs )



M. Plastic Anchor / Fischer S6  
( 2 pc )



N. Wall Strap / Plastic Tie 25 cm  
( 2 pc )



O. Phillips Screw Driver  
( Not Include )



P. Drill & 1/4 " Drill Bit  
( Not Include )

DESCRIPTION	BLACK	NIMBUS	STRATUS
STOCK SKU	40ATHVTPBL2	40ATHVTPNM2	40ATHVTPST2
ASSEMBLY HARDWARE	91ATHBKHDW13	-	91ATHSTHDW19
ANTI-TIP KIT	40ATHLIBTVTK	40ATHLIBTVTK	40ATHLIBTVTK
MENDING PLATE	91ATHSMNDPLT	91ATHSMNDPLT	91ATHSMNDPLT

## STEP 1 " JOIN TWO MODULES "

### THIS STEP REQUIRES:

A. 2 ATHENS WALL TV UNIT

B. 2 ATHENS BOOKCASE TOP WITH END PANEL

C. BASE UNIT ASSEMBLY

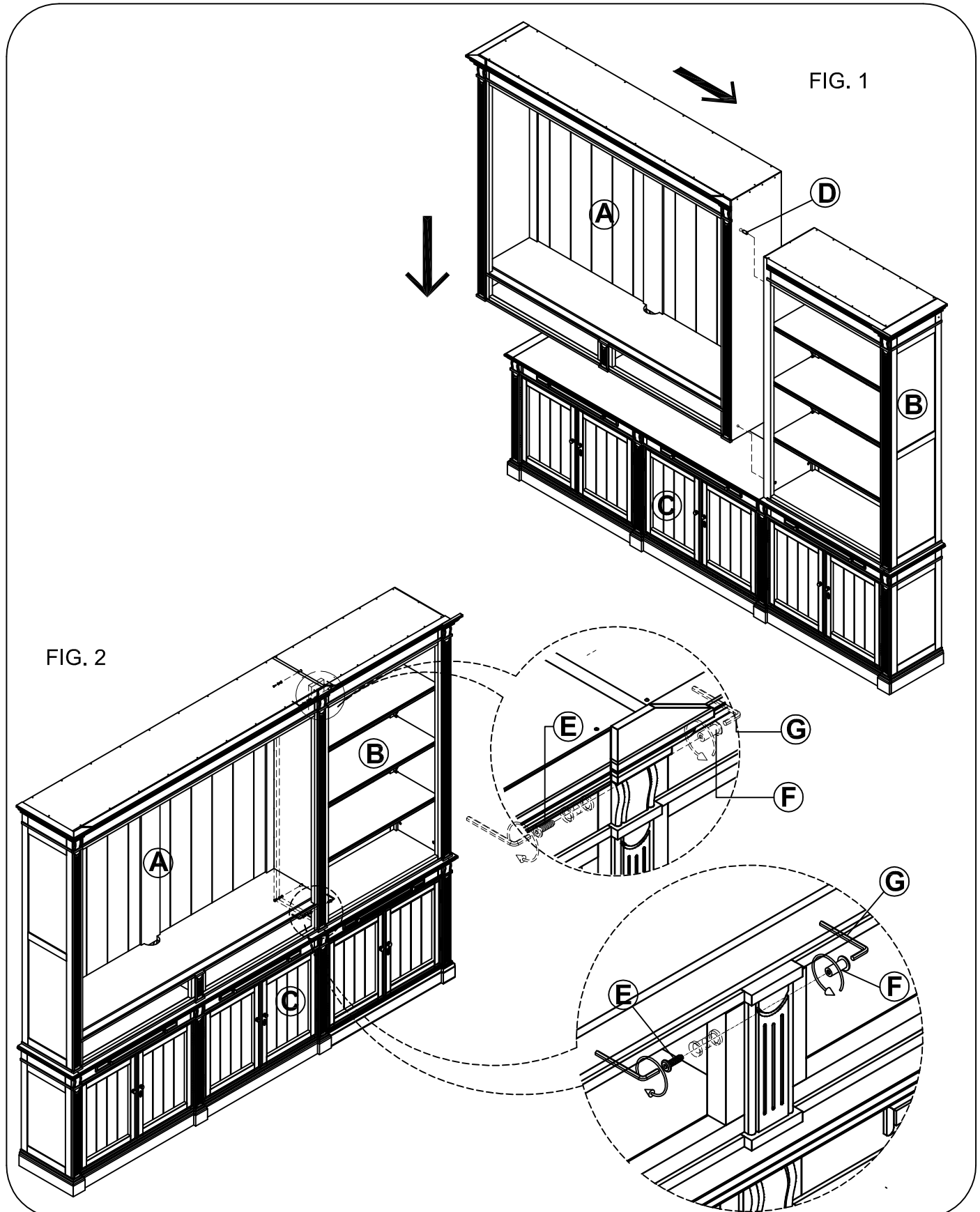
D. DOWEL Ø8 x20 (2 pcs)

E. JCBC M6 x 20 (4 pcs)

F. SLEEVE NUT M6 x 19 (4 pcs)

G. ALLEN KEY (2 pcs)

*Note : Modul B and C are exchangeable with the other Module*



## STEP 2 " SECURE - 2 ATHENS BOOKCASE TOP "

### THIS STEP REQUIRES:

- H. CONNECTOR BAR (attached; 2 pcs)
- I. SCREW Ø6 x 3/4" (attached; 4 pcs)
- O. PHILLIPS SCREW DRIVER ( NOT INCLUDED)

FIG. 3

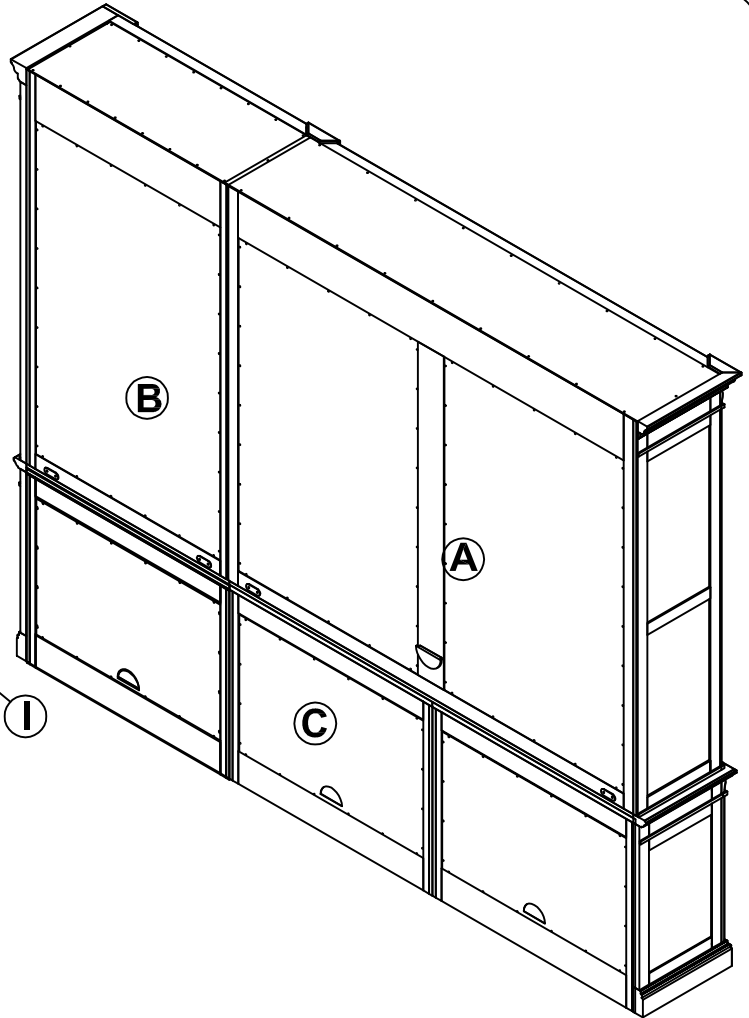
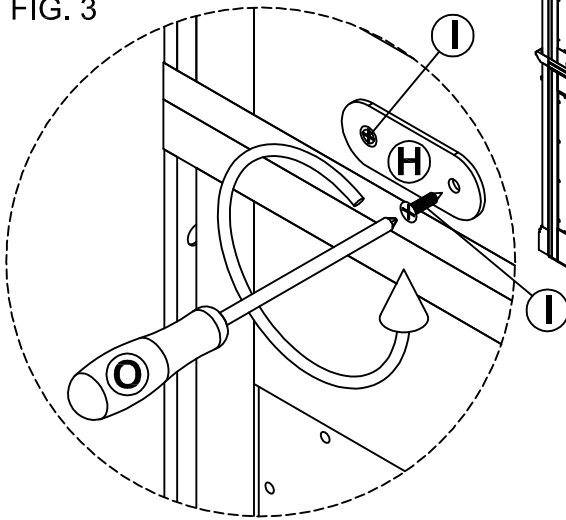


FIG. 3

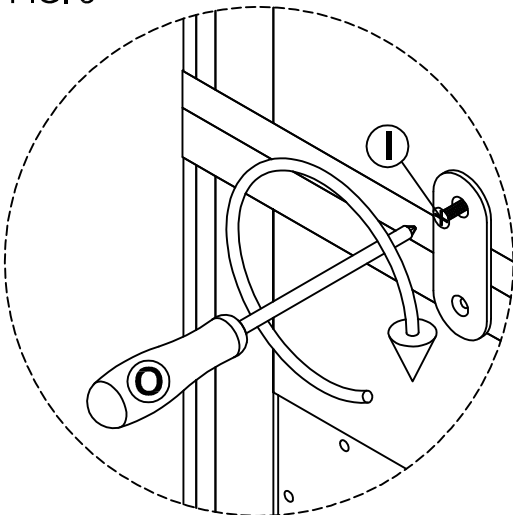
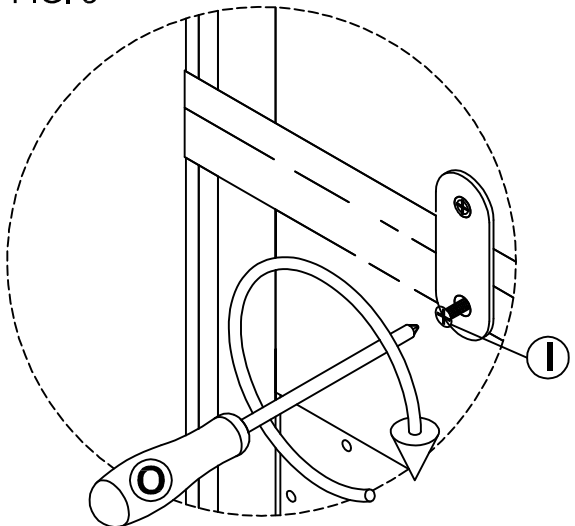


FIG. 3



### STEP 3 " SAFETY MOUNTING ASSEMBLY "

#### THIS STEP REQUIRES:

J. SCREW Ø8 x 1 1/2"

K. SCREW Ø6 x 5/8"

L. WALL FITTING/"D" BRACKET

M. PLASTIC ANCHOR / FISCHER S6

N. WALL STRAP / PLASTIC TIE 25 cm

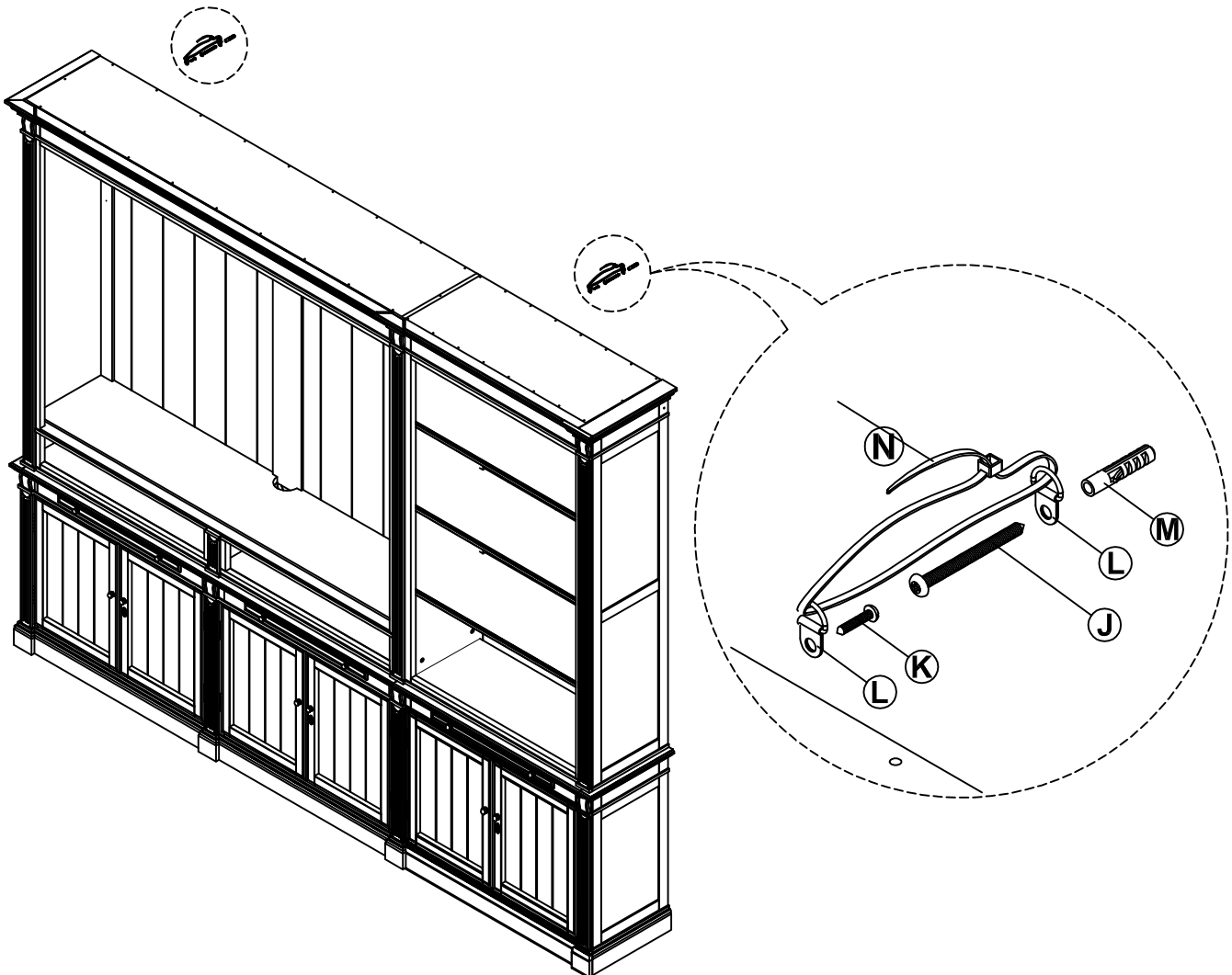
O. PHILLIPS SCREW DRIVER (NOT INCLUDED)

P. DRILL & 1/4" DRILL BIT (NOT INCLUDED)

#### Installation Instructions:

For added safety and stability, it is recommended that the wall mounting hardware be installed. For safe mounting, it is essential to use wall anchors appropriate to your wall type (i.e. Plaster, drywall, concrete, etc.). Mount to wood studs whenever possible.

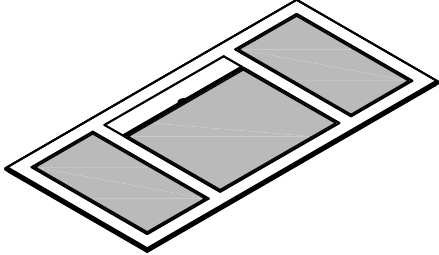
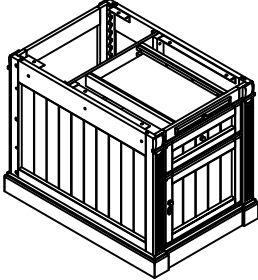
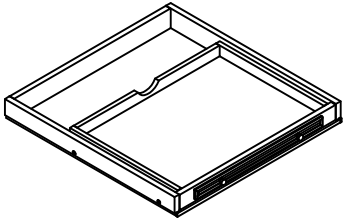
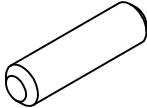
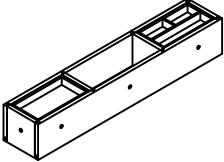
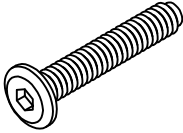
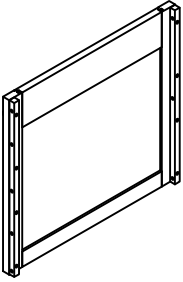
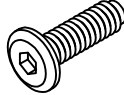
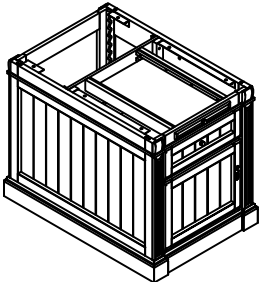
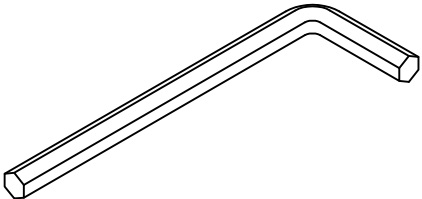
- Attach **1 pc of wall fitting** to furniture as shown, using **small screw**.
- Determine the final position for the furniture. Mark position on the wall approximately 2" below the bracket mounted to the back of the unit.
- **Drill** a hole in the wall stud. If the wall stud is not available, drill a hole in the wall that is slightly smaller in diameter than the anchor. Gently tap the **plastic anchor** until the flange of the anchor is flush with the wall.
- Attach the **wall fitting** to the wall by inserting **large screw** through the wall fitting and into the **plastic anchor** in the wall.
- Place the unit so the wall fitting on the back edge is aligned with the wall fitting on the wall.
- Lace one end of the **wall strap** through both fittings, and into the other end of the strap.
- Pull the strap tightly until secure.



**Any damage incurred to the furniture or the wall as a result of improper installation of this restraint will be the responsibility of the owner.**

# ASSEMBLY INSTRUCTIONS

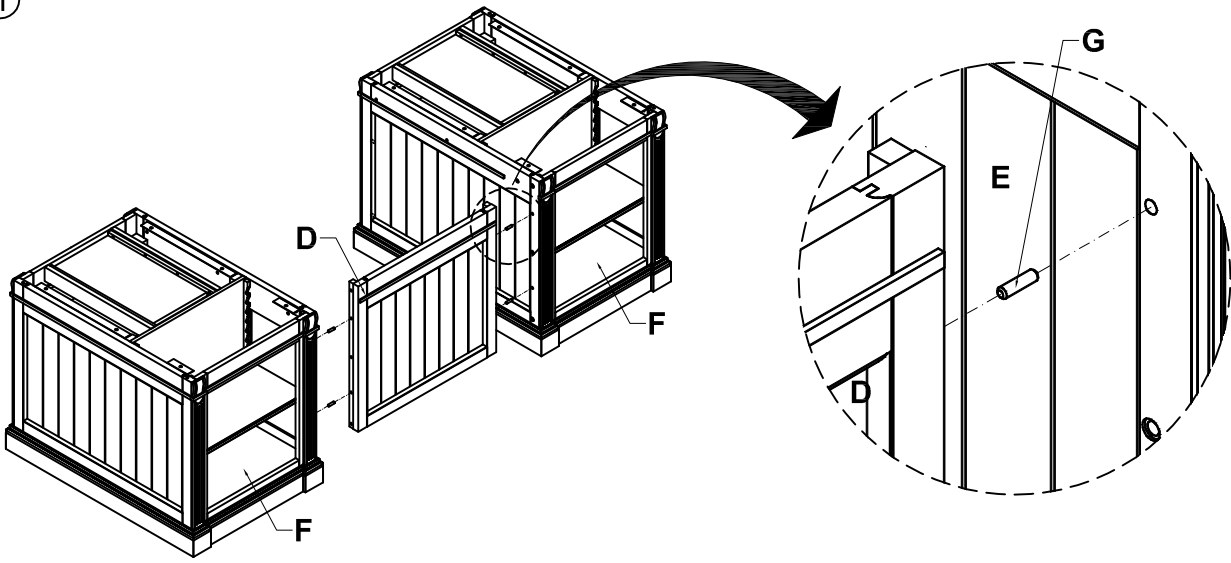
## ATHEN - EXECUTIVE DESK

NO.	PARTS LIST	QTY	NO.	PARTS LIST	QTY
Ⓐ		1 pc	Ⓕ		1 pc
Ⓑ		1 pc	Ⓖ		8 pcs
Ⓒ		1 pc	Ⓗ		10 pcs
Ⓓ		1 pc	Ⓘ		17 pcs
Ⓔ		1 pc	⓵		1 pc

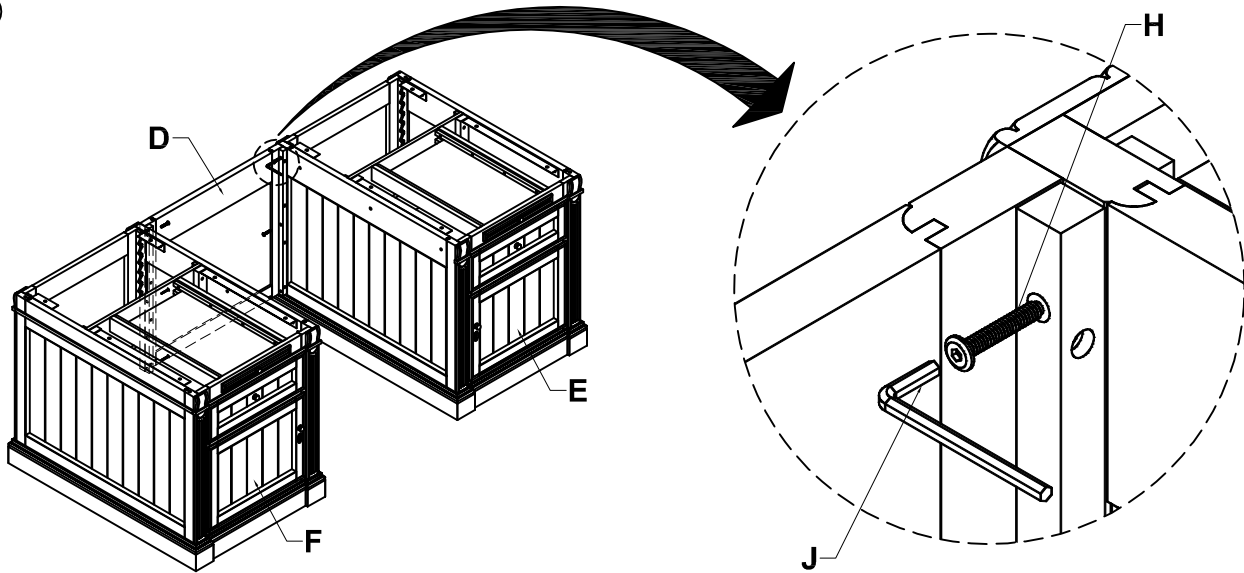
# ASSEMBLY INSTRUCTIONS

## ATHEN - EXECUTIVE DESK

①

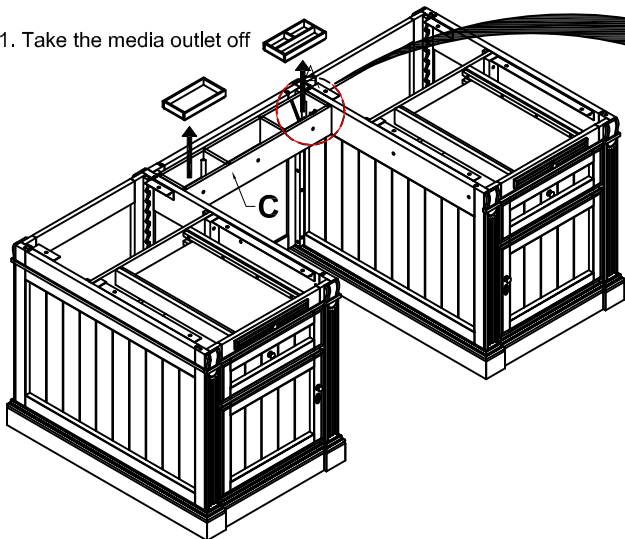


②

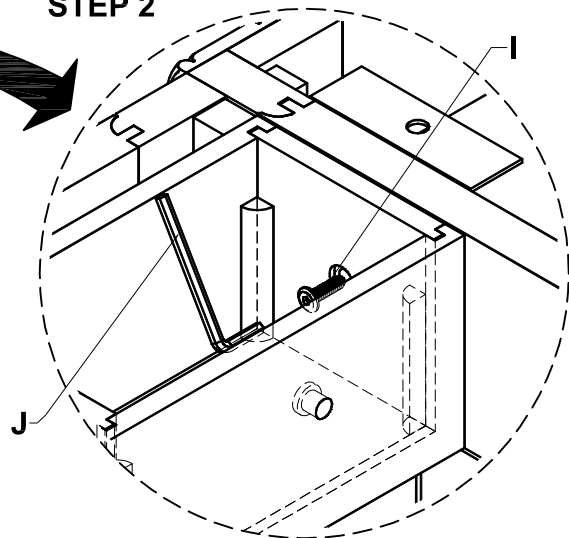


③

1. Take the media outlet off



STEP 2



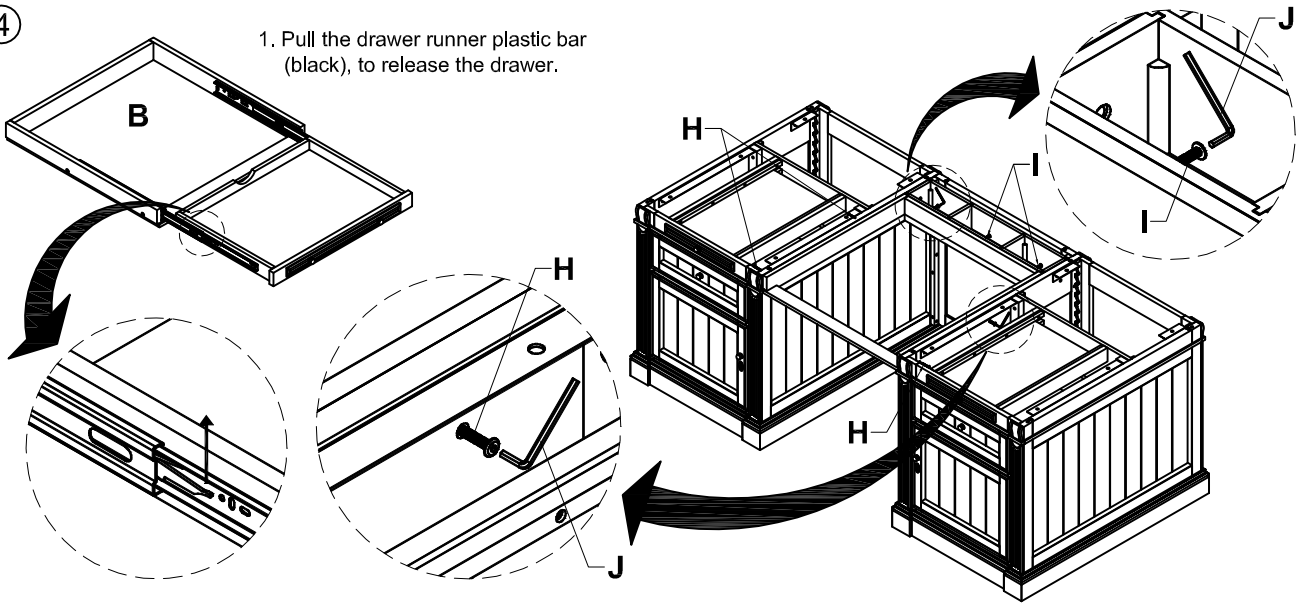


# ASSEMBLY INSTRUCTIONS

## ATHEN - EXECUTIVE DESK

④

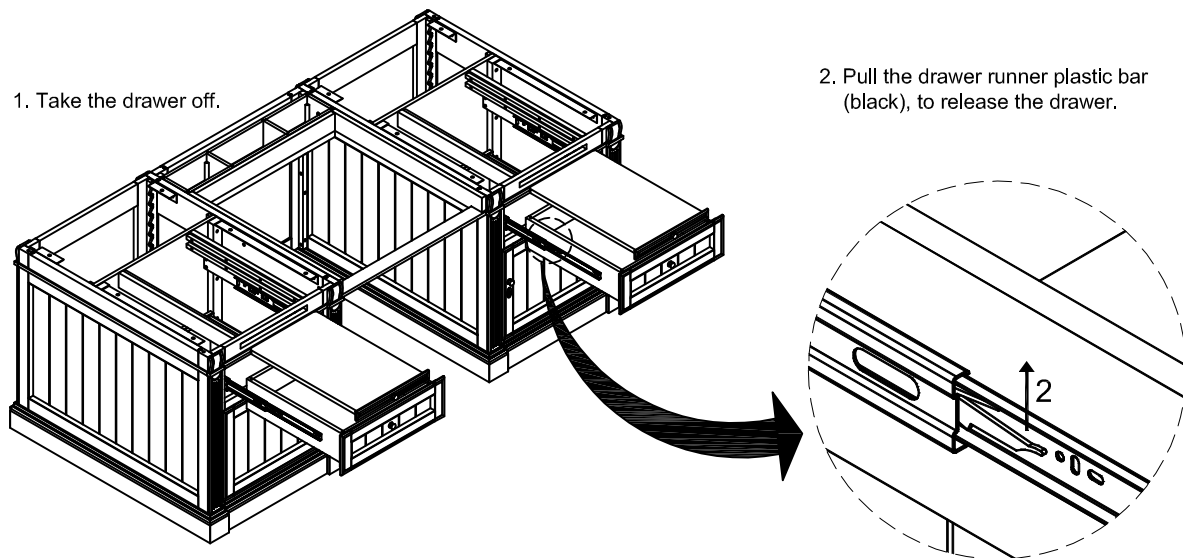
1. Pull the drawer runner plastic bar (black), to release the drawer.



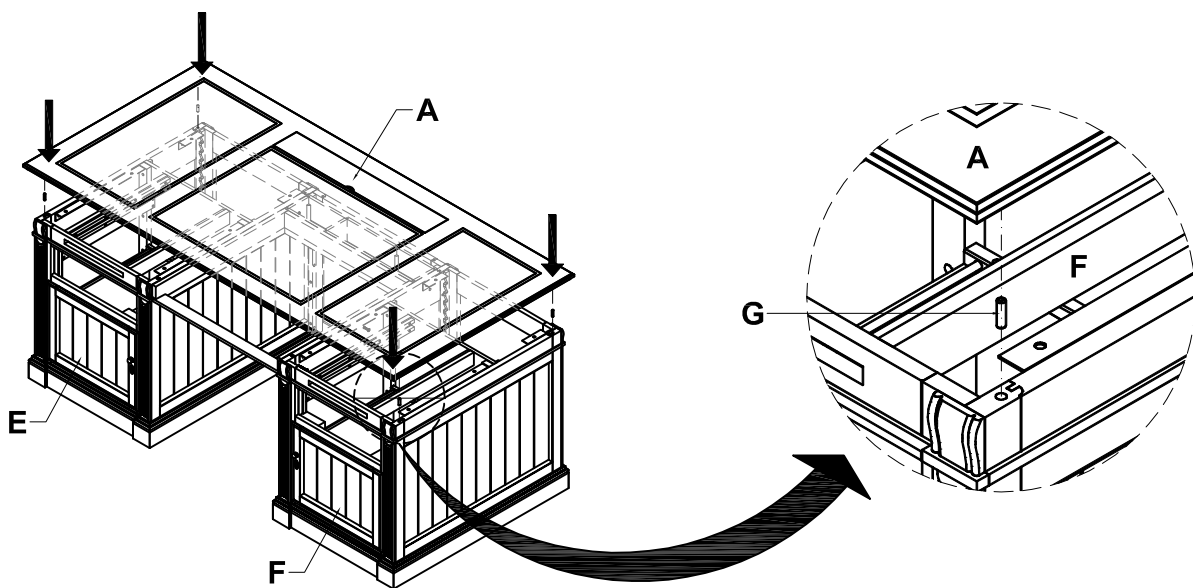
⑤

1. Take the drawer off.

2. Pull the drawer runner plastic bar (black), to release the drawer.



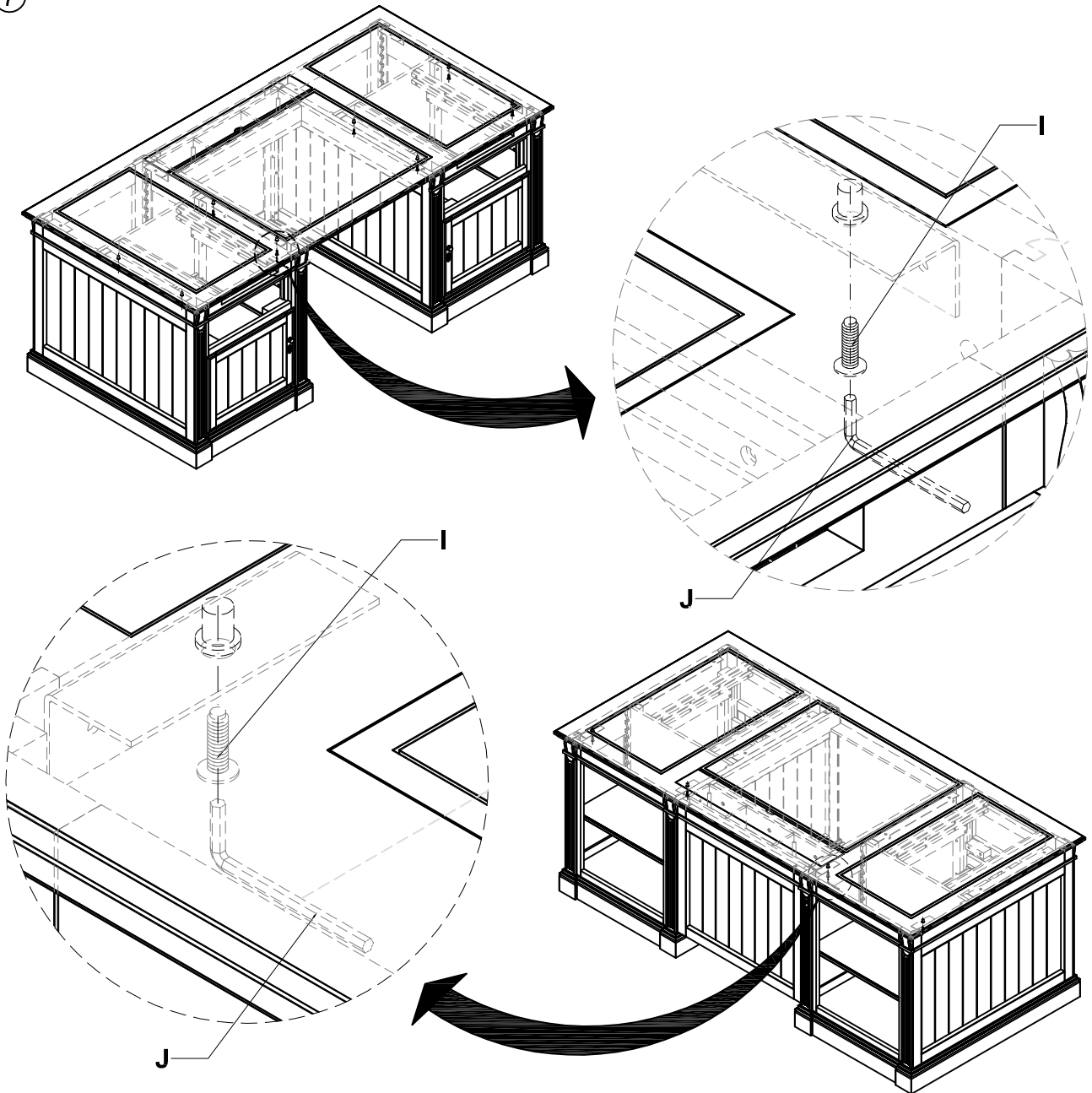
⑥



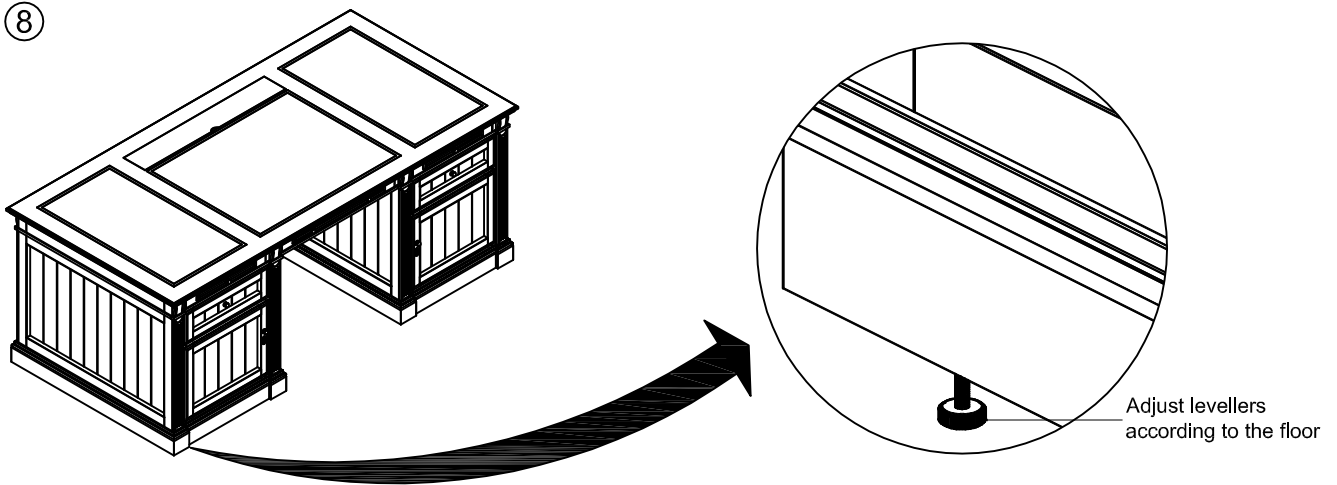
# ASSEMBLY INSTRUCTIONS

## ATHEN - EXECUTIVE DESK

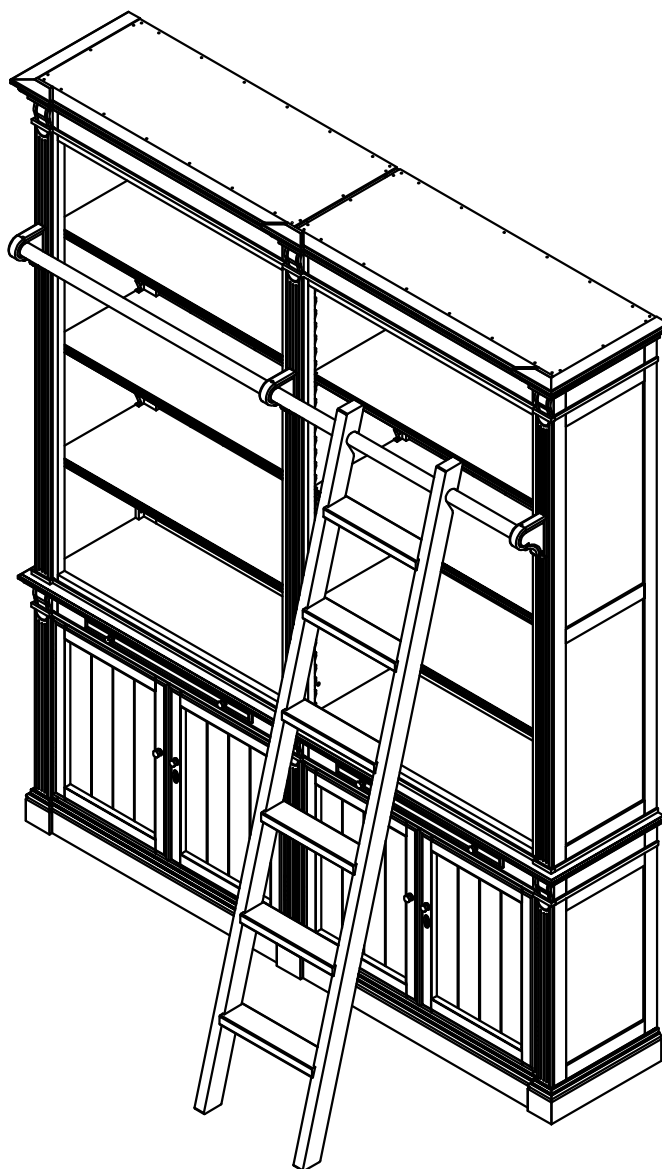
7



8



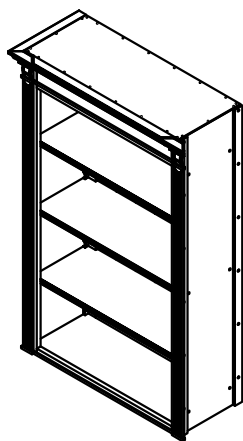
# ASSEMBLY INSTRUCTIONS for Bookcase Library



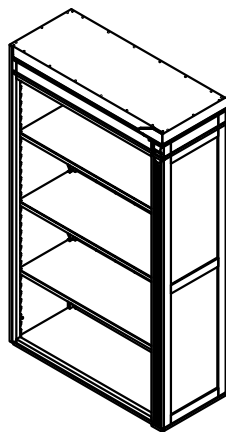
Carefully unpack and familiarize yourself with all exhibits and diagrams to facilitate the assembly of your Bookcase Library.

TOOLS REQUIRED:  
phillips screw driver, drill and 1/4" drill bit (not supplied)

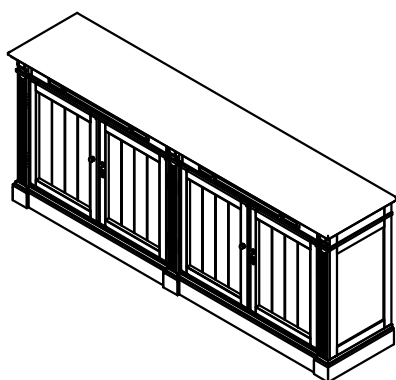
## CABINET PARTS



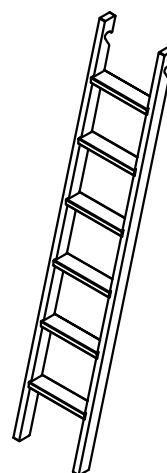
A. Hutch Left ( 1 pc )



B. Hutch Right ( 1 pc )



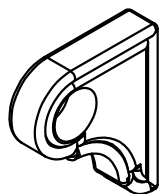
C. Sideboard ( 1 pc )



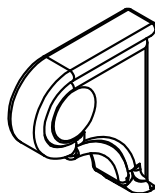
D. Ladder ( 1 pc )



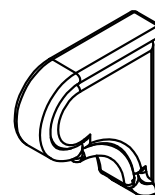
E. Ladder Rail ( 1 pc )



F. Left Hanger Pad  
( 1 pc )



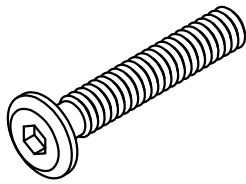
G. Middle Hanger Pad  
( 1 pc )



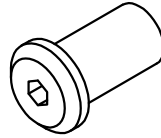
H. Right Hanger Pad  
( 1 pc )

## HARDWARE

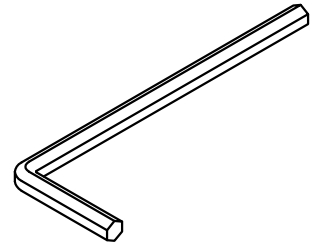
### For Joining Left & Right Hutch



1. J CBC M6 x 35 mm  
( 6 pcs )



2. Sleeve Nut M6 x 19 mm  
( 6 pcs )

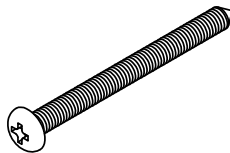


3. Allen Key 4 mm  
( 1 pc )

### For Furniture Tipping Restrain



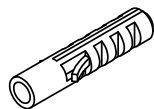
4. Screw PAB d 6 x 5/8"  
( 4 pcs )



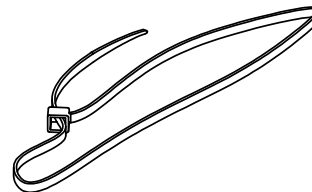
5. Screw PAB d 8 x 1 1/2"  
( 4 pcs )



6. Wall Fitting / "D"  
Bracket  
( 4 pcs )



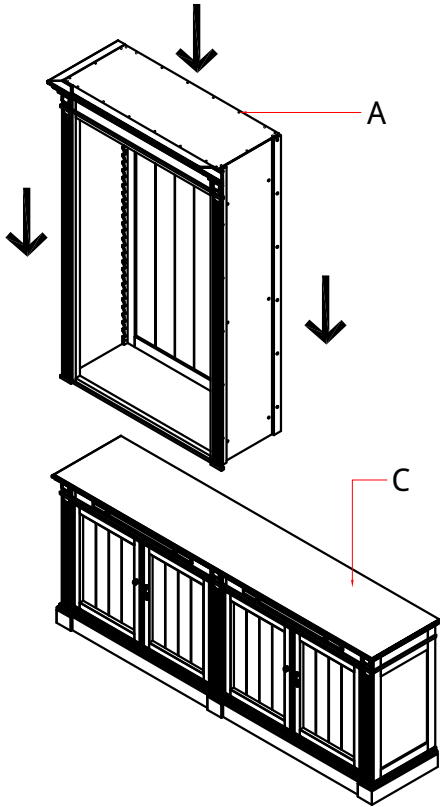
7. Plastic Anchor / Fischer S6  
( 2 pcs )



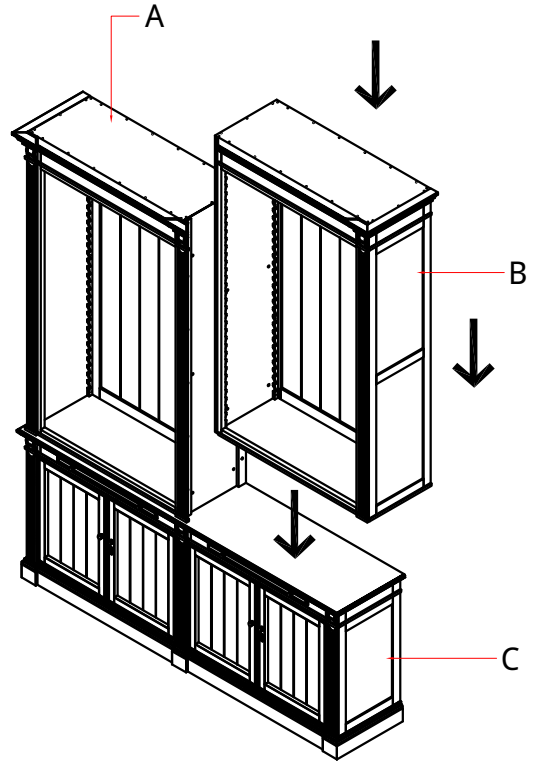
8. Wall Strap / Plastic Tie  
25 cm  
( 2 pcs )

DESCRIPTION	BLACK	NIMBUS	STRATUS
STOCK SKU	40ATHLBAEBLKT2	40ATHLBAENMKT2	40ATHLBAESTKT2
ASSEMBLY HARDWARE	91ATHBKHDW12	91ATHNMHDW6	91ATHSTHDW18
ANTI-TIP KIT	40ATHLIBTVTK	40ATHLIBTVTK	40ATHLIBTVTK
MENDING PLATE	91ATHSMNDPLT	91ATHSMNDPLT	91ATHSMNDPLT
LOCK	91ATHBLLOCK	91ATHNMLOCK	91ATHNMLOCK
KEY	91511ATHKEY	91511NIMKEY	91511NIMKEY
KNOBS	91ATHBLKNOB	91ATHNMKNOB	91ATHNMKNOB
HINGE	91511ATHHNG	91511ATHHNG	91511ATHHNG
CATCH	40ATHLIBDCBS	40ATHLIBDCBS	40ATHLIBDCBS
LATCH	91ATHBLATCH	91ATHNMLATCH	91ATHNMLATCH
SHELF 13"D	91ATHBLLSHF	91ATHNMLSHF	91ATHSTLSHF
SHELF SUPPORT 12"D	91511ATHSLATBK	--	91ATHSLATSTR
HOLE COVERING	91511IDBLK	--	--
LADDER ONLY	--	91ATHLADNIM	--
LADDER HARDWARE	91ATHMLDRHDW	91ATHMLDRHDW	91ATHMLDRHDW
POLE	91ATHFWLBPL	91ATHSTRLBPL	91ATHSTRLBPL

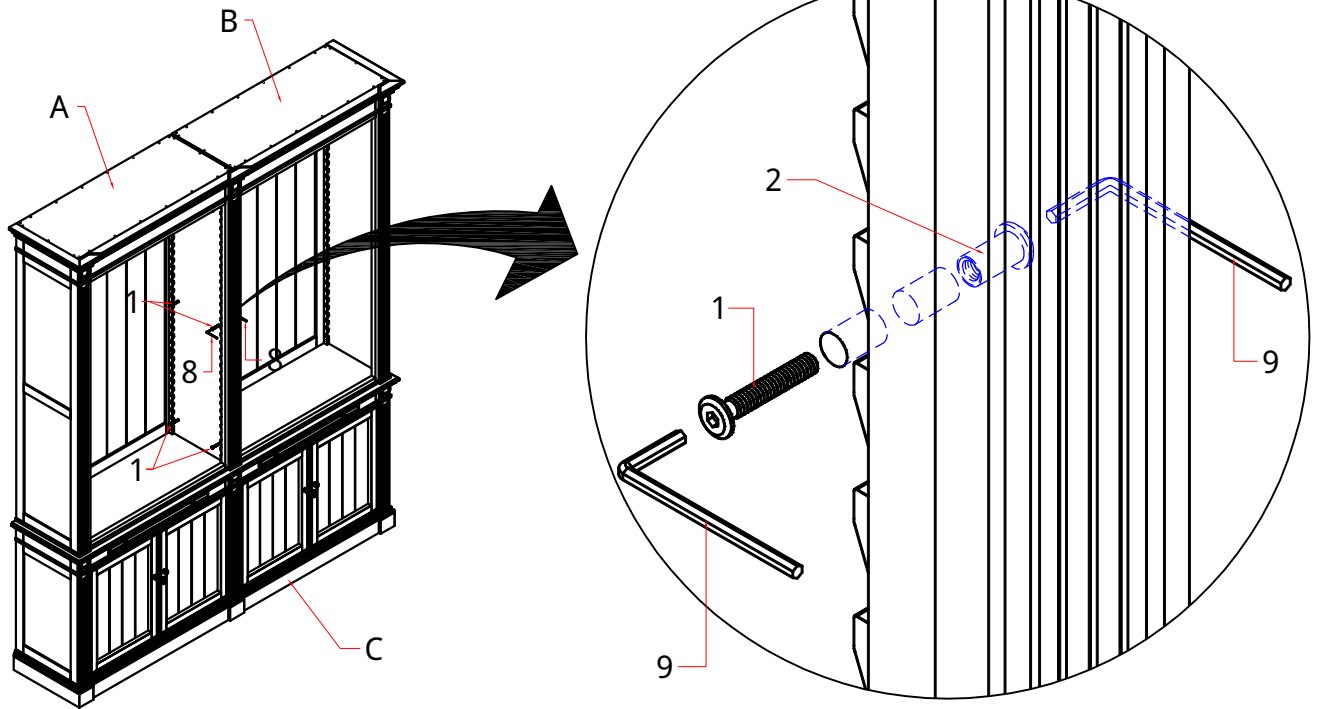
①



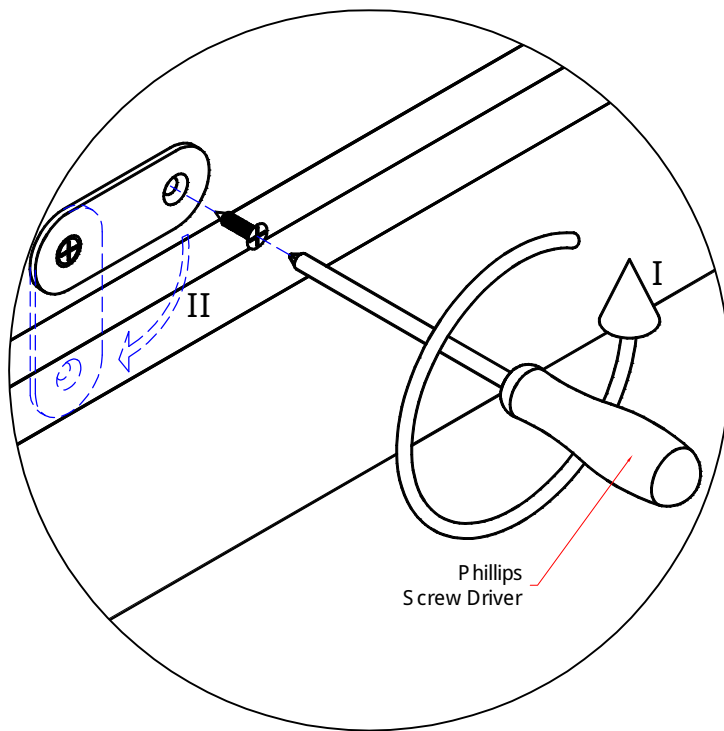
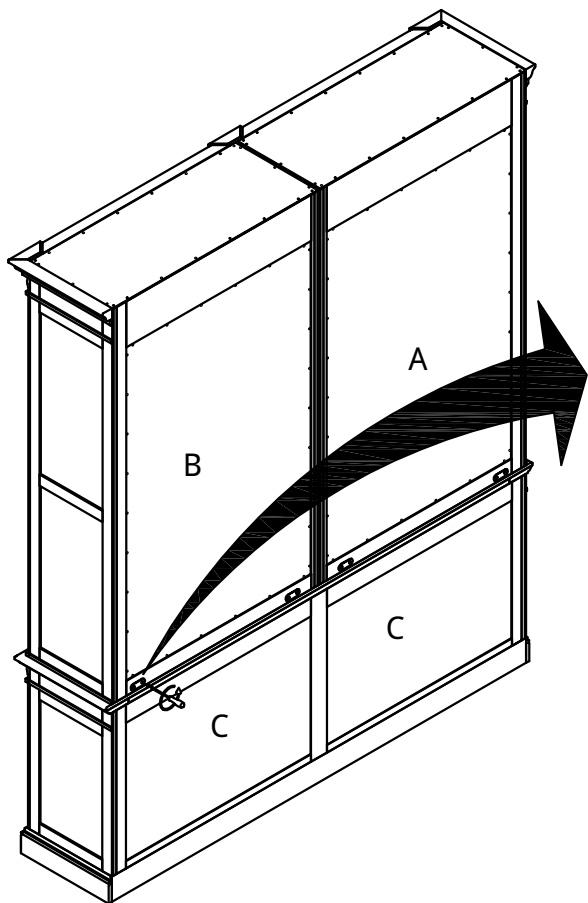
②



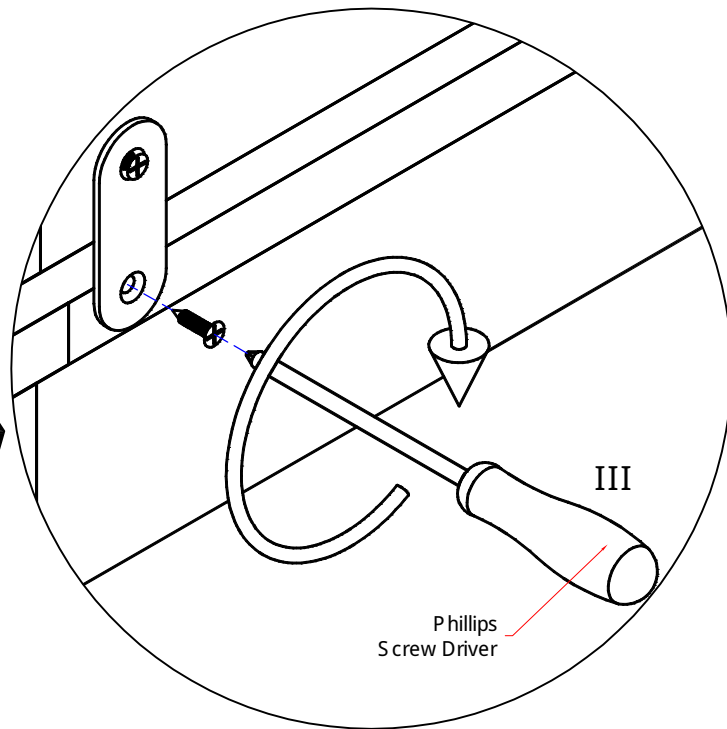
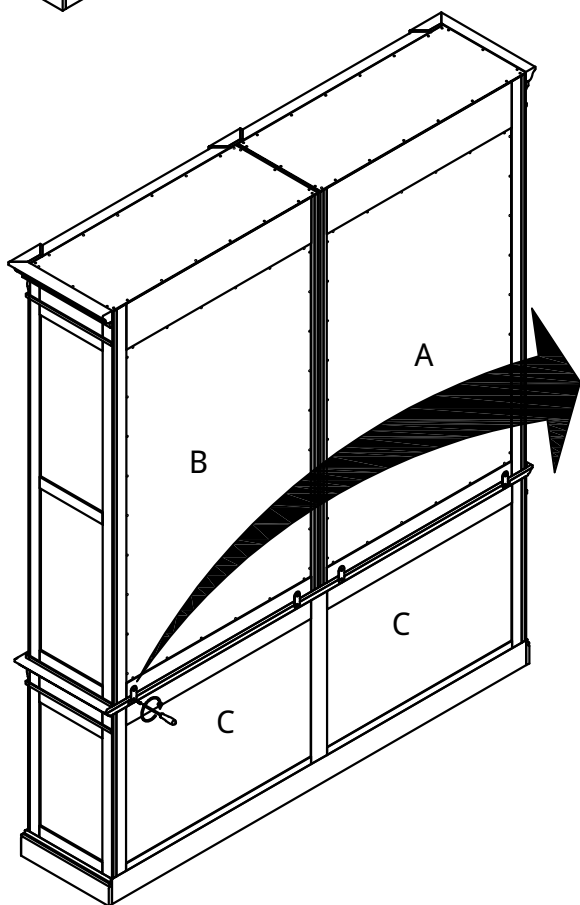
③



④



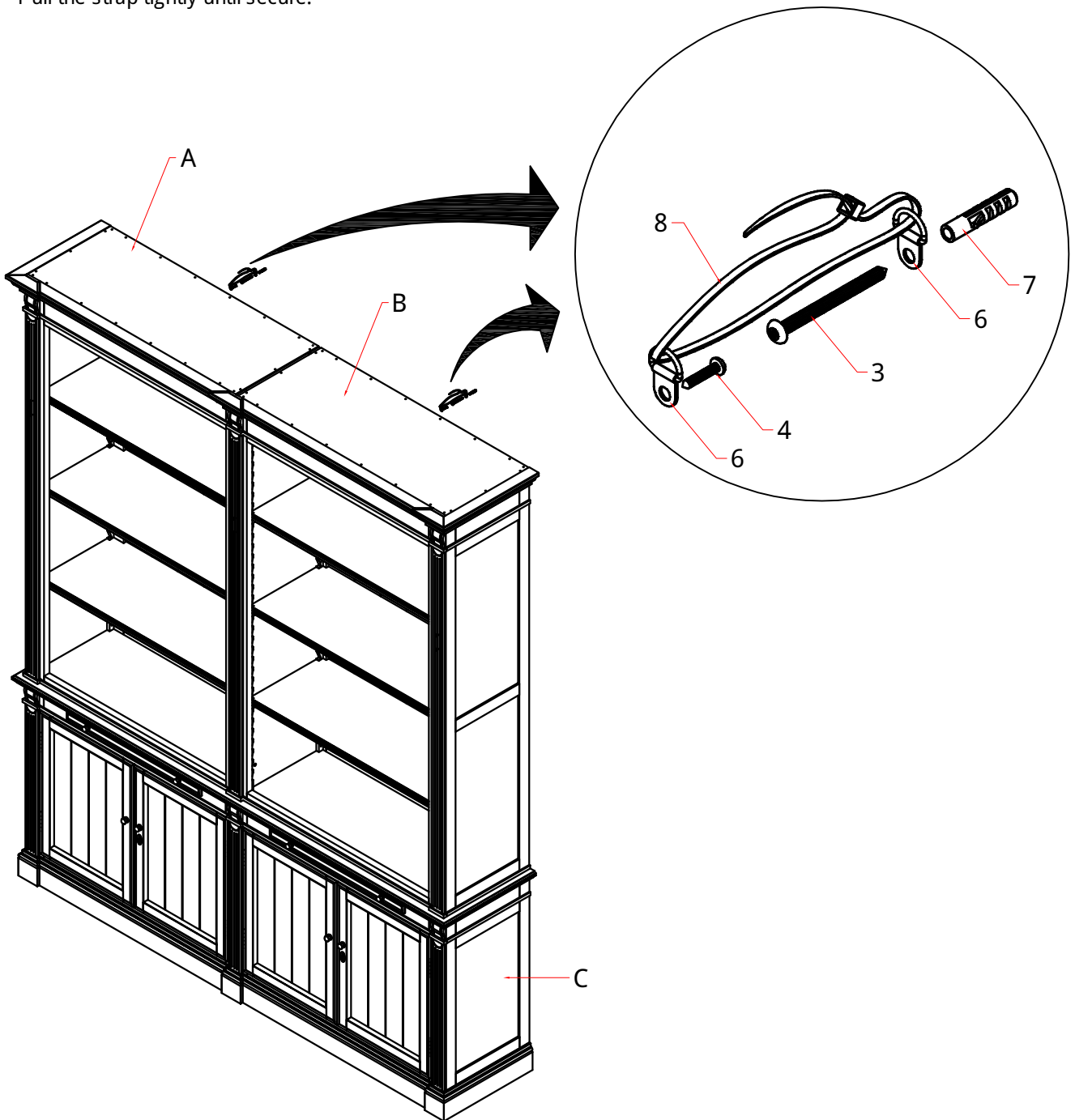
⑤



Installation Instructions:

⑥ For added safety and stability, it is recommended that the wall mounting hardware be installed. For safe mounting, it is essential to use wall anchors appropriate to your wall type (i.e. Plaster, drywall, concrete, etc.). Mount to wood studs whenever possible.

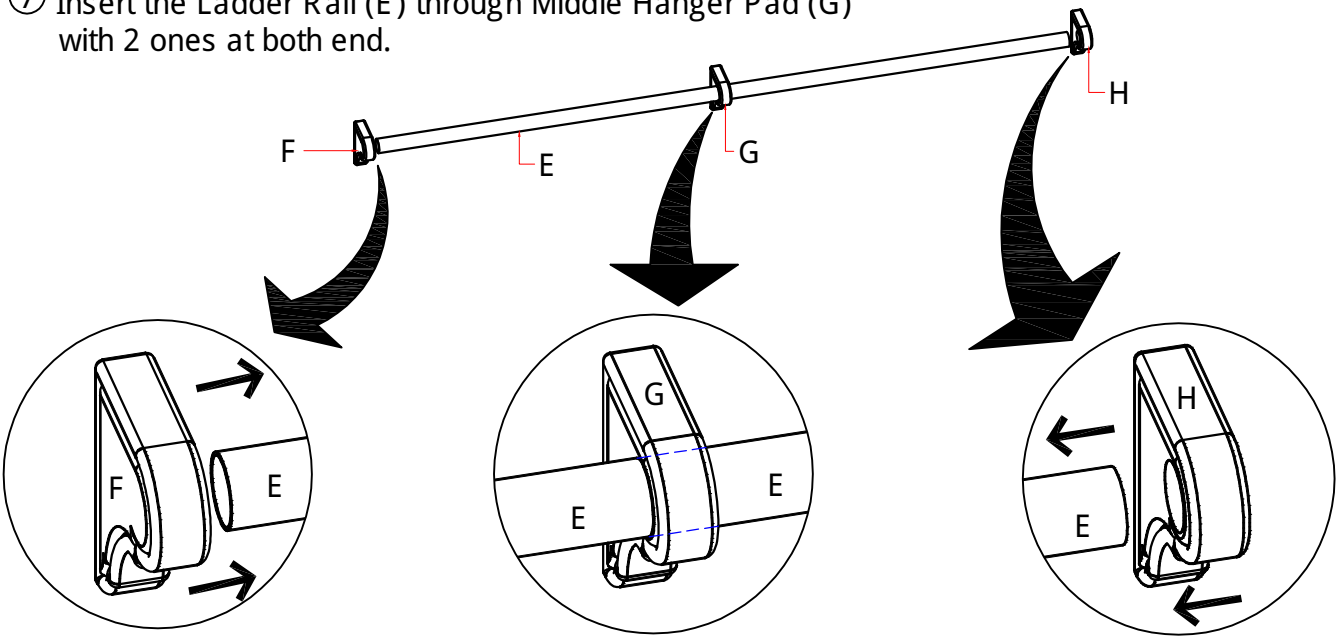
- Attach 1 pc of wall fitting to furniture as shown, using small screw.
- Determine the final position for the furniture. Mark position on the wall approximately 2" below the bracket mounted to the back of the unit.
- Drill a hole in the wall stud. If the wall stud is not available, drill a hole in the wall that is slightly smaller in diameter than the anchor. Gently tap the plastic anchor until the flange of the anchor is flush with the wall.
- Attach the wall fitting to the wall by inserting large screw through the wall fitting and into the plastic anchor in the wall.
- Place the unit so the wall fitting on the back edge is aligned with the wall fitting on the wall.
- Lace one end of the wall strap through both fittings, and into the other end of the strap.
- Pull the strap tightly until secure.



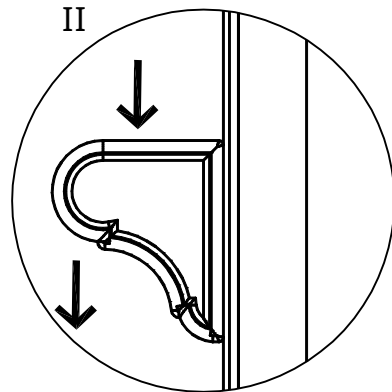
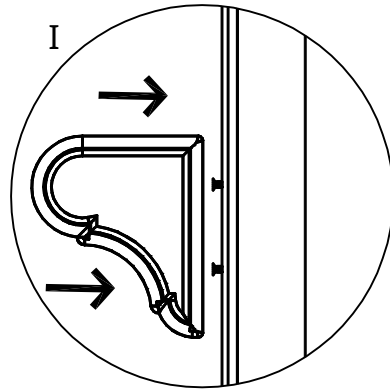
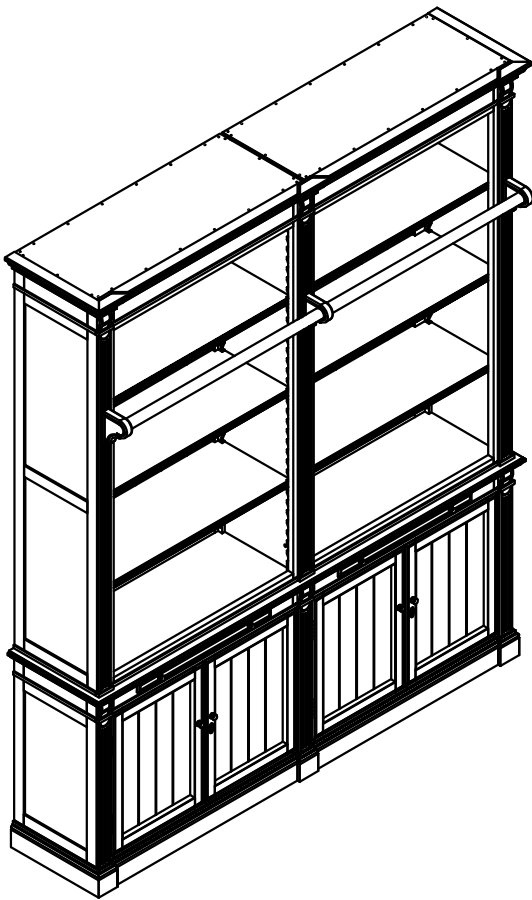
Any damage incurred to the furniture or the wall as a result of improper installation of this restraint will be the responsibility of the owner.



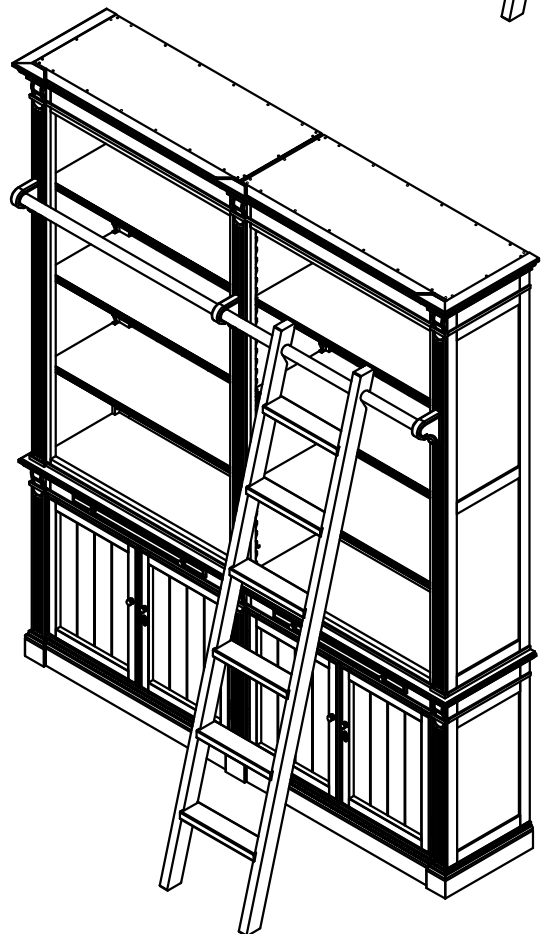
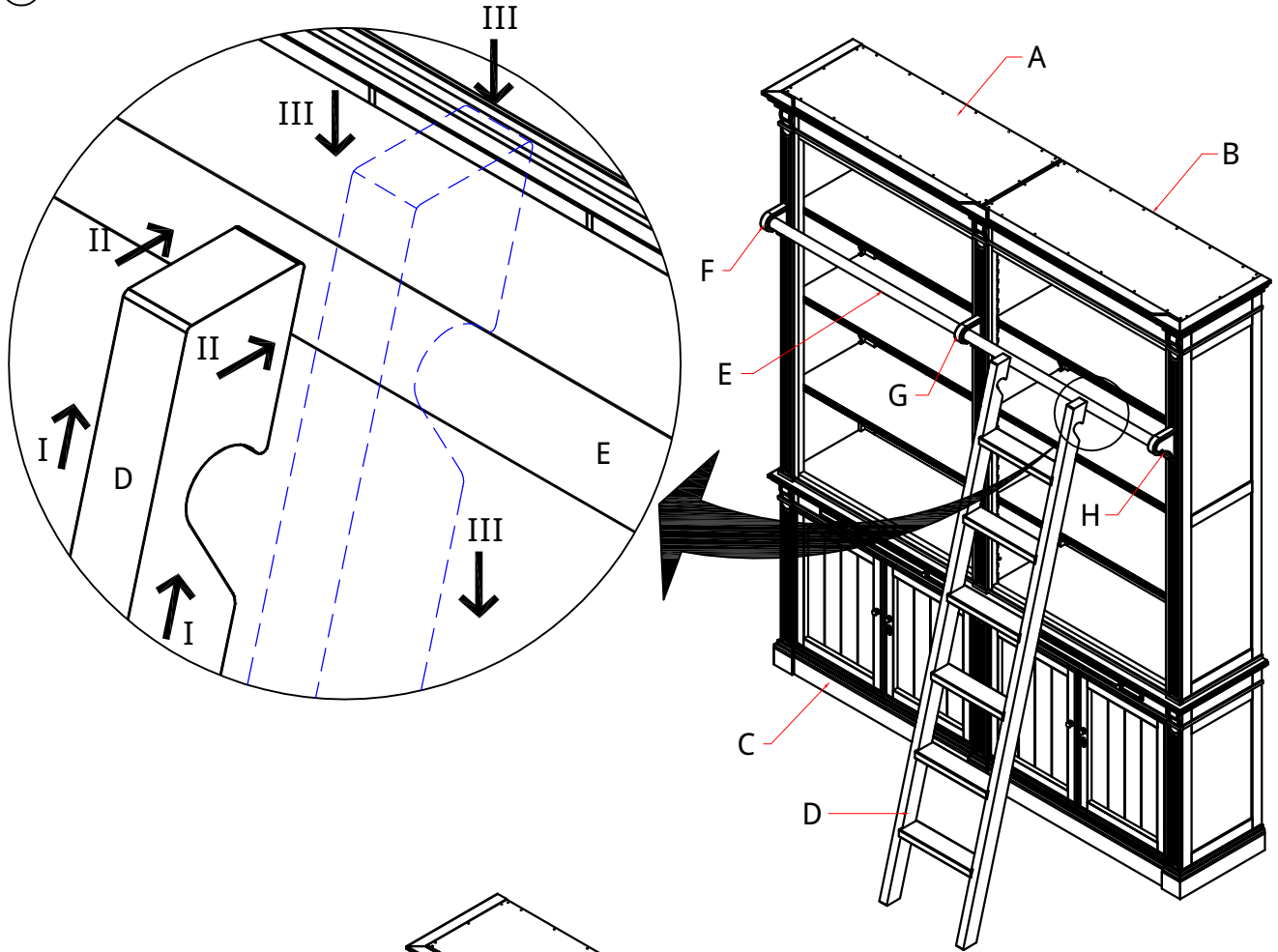
⑦ Insert the Ladder Rail (E) through Middle Hanger Pad (G) with 2 ones at both end.



⑧



9



Your Bookcase Library are ready to use.

# PARTS INVENTORY

Super Category	Product ID	Description	Stat	Collection	Route
DESK	91ATHEXASHW	ATHENS ASMBLY HW FOR NIMBS STR PEWTER HW FOR NIMBUS STRATUS	A	PT-ATHENS	PART
DESK	91ATHEXHW	ATHENS BLK EXEC DSK ASSMBLY HW ANTIQUÉ FINISH FOR ATHENS BLK	A	PT-ATHENS	PART
DESK	91ATHEXSS	ATHENS EXEC DESK SHLF SPRT BLK SHELF SUPPORT BLACK	A	PT-ATHENS	
DESK	91511ATHWRTDSK	ATHENS WRNG DSK ASSEMBLY HDW	A	PT-ATHENS	PART
DINING	91511BARPLUG	ATHENS BAR SWITCH PLUG CABLE	A	PT-ATHENS	PART
DINING	91ATHBARHNG	ATHENS BAR TOP HINGE	A	PT-ATHENS	PART
DINING	91511ATDBLHW	ATHENS DBLBAR ASSEMBLY HDW	D	PT-ATHENS	PART
DINING	91511DBARLITL	ATHENS DBLBAR LIGHTING LFT	D	PT-ATHENS	PART
DINING	91511DBARLITR	ATHENS DBLBAR LIGHTING RT	D	PT-ATHENS	PART
DINING	91511DBLSHLF	ATHENS DBLBAR SHELF GLASS	D	PT-ATHENS	PART
DINING	91511DBLSLAT	ATHENS DBLBAR TOP SPRT BLK DBL BAR TP SHLF SUPRT BLK 7.25	D	PT-ATHENS	PART
DINING	91ATH16SLTS	ATHENS DOUBLE BAR SHLF SLT 16" 16" SHELF SLAT	D	PT-ATHENS	PART
DINING	91511SGCUTNODIV	ATHENS SNGLBAR CUTLERY TRAY ND CUTLERY TRAY W/ NO DIVIDER	A	PT-ATHENS	PART
DINING	91511SGCUTWDIV	ATHENS SNGLBAR CUTLERY TRAY WD CUTLERY TRAY WITH DIVIDER	A	PT-ATHENS	PART
DINING	91511SBARLIT	ATHENS SNGLBAR LIGHT WIRE WIRING ONLY	A	PT-ATHENS	PART
DINING	91511SINGSHLF	ATHENS SNGLBAR SHELF GLASS	D	PT-ATHENS	PART
DINING	91ATWNAIL	ATWELL TABLE BASE NAIL	D	PT-ATHENS	PART
RELICS	40ATHBLKCBKSHLF	ATHENS BLK EXTRA CORNER SHELF ANTIQUÉ BLACK	D	PT-ATHENS	PART
RELICS	40ATHBLKNWBKSHLF	ATHENS BLK EXTRA NW BK SHELF ANTIQUÉ BLACK	D	PT-ATHENS	PARGD
RELICS	40ATHBLKREBKSHLF	ATHENS BLK EXTRA RT END SHELF ANTIQUÉ BLACK	D	PT-ATHENS	PARGD
RELICS	40ATHBRDSCBShlf	ATHENS BR EXTRA CABINET SHELF CIGAR BROWN	D	PT-ATHENS	PARGD
RELICS	40ATHBRCKBShlf	ATHENS BR EXTRA CORNER SHELF CIGAR BROWN	D	PT-ATHENS	PARGD
RELICS	40ATHBRLEBKShlf	ATHENS BR EXTRA LFT END SHELF CIGAR BROWN	D	PT-ATHENS	PARGD
RELICS	40ATHBRNWBKShlf	ATHENS BR EXTRA NW BK SHELF CIGAR BROWN	D	PT-ATHENS	PARGD
RELICS	40ATHBRREBKShlf	ATHENS BR EXTRA RT END SHELF CIGAR BROWN	D	PT-ATHENS	PARGD
RELICS	40ATHFWBKShlf	ATHENS FW EXTRA BK SHELF ANTIQUÉ FRENCH WHITE	D	PT-ATHENS	PARGD
RELICS	40ATHFWCBKShlf	ATHENS FW EXTRA CORNER SHELF ANTIQUÉ FRENCH WHITE	D	PT-ATHENS	PARGD
RELICS	40ATHFWLEBKShlf	ATHENS FW EXTRA LFT END SHELF ANTIQUÉ FRENCH WHITE	D	PT-ATHENS	PARGD
RELICS	40ATHFWNWBKShlf	ATHENS FW EXTRA NW BK SHELF ANTIQUÉ FRENCH WHITE	D	PT-ATHENS	PARGD
RELICS	40ATHFWREBKShlf	ATHENS FW EXTRA RT END SHELF ANTIQUÉ FRENCH WHITE	D	PT-ATHENS	PARGD
WALL	91ATHBKHDW14	2 ATHENS BLK BK MODULE TP ASSEMBLY HDW	A	PT-ATHENS	PART
WALL	91ATHBKHDW1	2 ATHENS BLK CORNER WDG BK BS ASSEMBLY HDW	A	PT-ATHENS	PART
WALL	91ATHBKHDW2	2 ATHENS BLK CORNER WDG BK TP ASSEMBLY HDW	A	PT-ATHENS	PART
WALL	91ATHBKHDW15	2 ATHENS BLK DBL BK LAD/POLE ASSEMBLY HDW	A	PT-ATHENS	
WALL	91ATHBKHDW6	2 ATHENS BLK DBL MOD UNIT BS ASSEMBLY HDW	A	PT-ATHENS	PART
WALL	91ATHBKHDW5	2 ATHENS BLK DISPLAY CAB TP ASSEMBLY HDW	A	PT-ATHENS	PART
WALL	91ATHBKHDW3	2 ATHENS BLK LEFT END PANEL BS ASSEMBLY HDW	A	PT-ATHENS	PART
WALL	91ATHBKHDW4	2 ATHENS BLK LEFT END PANEL TP ASSEMBLY HDW	A	PT-ATHENS	PART

# PARTS INVENTORY

WALL	91ATHBKHDW16	2 ATHENS BLK LT END ANGLE BS ASSEMBLY HDW	A	PT-ATHENS	PART
WALL	91ATHBKHDW17	2 ATHENS BLK LT END ANGLE TP ASSEMBLY HDW	A	PT-ATHENS	PART
WALL	91ATHBKHDW7	2 ATHENS BLK NRW BK BS ASSEMBLY HDW	A	PT-ATHENS	PART
WALL	91ATHBKHDW8	2 ATHENS BLK NRW BK TP ASSEMBLY HDW	A	PT-ATHENS	PART
WALL	91ATHBKHDW18	2 ATHENS BLK RT END ANGLE BS ASSEMBLY HDW	A	PT-ATHENS	PART
WALL	91ATHBKHDW19	2 ATHENS BLK RT END ANGLE TP ASSEMBLY HDW	A	PT-ATHENS	PART
WALL	91ATHBKHDW9	2 ATHENS BLK RT END PANEL BS ASSEMBLY HDW	A	PT-ATHENS	PART
WALL	91ATHBKHDW10	2 ATHENS BLK RT END PANEL TP ASSEMBLY HDW	A	PT-ATHENS	PART
WALL	91ATHBKHDW11	2 ATHENS BLK SINGLE FILE BS ASSEMBLY HDW	A	PT-ATHENS	PART
WALL	91ATHBKHDW12	2 ATHENS BLK SINGLE MOD BS ASSEMBLY HDW	A	PT-ATHENS	PART
WALL	91ATHBKHDW13	2 ATHENS BLK TV MOD UNIT TP ASSEMBLY HDW	A	PT-ATHENS	PART
WALL	91ATHNMHDW7	2 ATHENS NIM BK MODULE TP ASSEMBLY HDW	A	PT-ATHENS	PART
WALL	91ATHNMHDW11	2 ATHENS NIM CORNER WDG BK BS ASSEMBLY HDW	A	PT-ATHENS	PART
WALL	91ATHNMHDW12	2 ATHENS NIM CORNER WDG BK TP ASSEMBLY HDW	A	PT-ATHENS	PART
WALL	91ATHNMHDW2	2 ATHENS NIM DBL BK LAD/POLE ASSEMBLY HDW	A	PT-ATHENS	PART
WALL	91ATHNMHDW1	2 ATHENS NIM DBL MOD BS ASSEMBLY HDW	A	PT-ATHENS	PART
WALL	91ATHNMHDW9	2 ATHENS NIM DISPLAY CAB TP ASSEMBLY HDW	A	PT-ATHENS	PART
WALL	91ATHNMHDW8	2 ATHENS NIM LEFT END PANEL BS ASSEMBLY HDW	A	PT-ATHENS	PART
WALL	91ATHNMHDW10	2 ATHENS NIM LEFT END PANEL TP ASSEMBLY HDW	A	PT-ATHENS	PART
WALL	91ATHNMHDW13	2 ATHENS NIM LT END ANGLE BS ASSEMBLY HDW	A	PT-ATHENS	PART
WALL	91ATHNMHDW14	2 ATHENS NIM LT END ANGLE TP ASSEMBLY HDW	A	PT-ATHENS	PART
WALL	91ATHNMHDW3	2 ATHENS NIM NRW BK BS ASSEMBLY HDW	A	PT-ATHENS	PART
WALL	91ATHNMHDW4	2 ATHENS NIM NRW BK TP ASSEMBLY HDW	A	PT-ATHENS	PART
WALL	91ATHNMHDW15	2 ATHENS NIM RT END ANGLE BS ASSEMBLY HDW	A	PT-ATHENS	PART
WALL	91ATHNMHDW16	2 ATHENS NIM RT END ANGLE TP ASSEMBLY HDW	A	PT-ATHENS	PART
WALL	91ATHNMHDW18	2 ATHENS NIM RT END PANEL TP ASSEMBLY HDW	A	PT-ATHENS	PART
WALL	91ATHNMHDW5	2 ATHENS NIM SINGLE FILE BASE ASSEMBLY HDW	A	PT-ATHENS	PART
WALL	91ATHNMHDW6	2 ATHENS NIM SINGLE MODULE BS ASSEMBLY HDW	A	PT-ATHENS	PART
WALL	91ATHSTHDW1	2 ATHENS STR BOOKCASE TOP ASSEMBLY HDW	A	PT-ATHENS	PART
WALL	91ATHSTHDW2	2 ATHENS STR CORNER WDG BK BS ASSEMBLY HDW	A	PT-ATHENS	PART
WALL	91ATHSTHDW3	2 ATHENS STR CORNER WDG BK TP ASSEMBLY HDW	A	PT-ATHENS	PART
WALL	91ATHSTHDW4	2 ATHENS STR DBL BKCS LADDER ASSEMBLY HDW	A	PT-ATHENS	
WALL	91ATHSTHDW6	2 ATHENS STR DISPLAY CAB TOP ASSEMBLY HDW	A	PT-ATHENS	PART
WALL	91ATHSTHDW5	2 ATHENS STR DOUBLE MOD BASE ASSEMBLY HDW	A	PT-ATHENS	PART
WALL	91ATHSTHDW7	2 ATHENS STR LEFT END ANGLD BS ASSEMBLY HDW	A	PT-ATHENS	PART
WALL	91ATHSTHDW8	2 ATHENS STR LEFT END ANGLD TP ASSEMBLY HDW	A	PT-ATHENS	PART
WALL	91ATHSTHDW9	2 ATHENS STR LEFT END PANEL BS ASSEMBLY HDW	A	PT-ATHENS	PART

# PARTS INVENTORY

WALL	91ATHSTHDW10	2 ATHENS STR LEFT END PANEL TP ASSEMBLY HDW	A	PT-ATHENS	PART
WALL	91ATHSTHDW11	2 ATHENS STR NARROW BKCS BS ASSEMBLY HDW	A	PT-ATHENS	PART
WALL	91ATHSTHDW12	2 ATHENS STR NARROW BKCS TP ASSEMBLY HDW	A	PT-ATHENS	PART
WALL	91ATHSTHDW15	2 ATHENS STR RIGHT END PANL BS ASSEMBLY HDW	A	PT-ATHENS	PART
WALL	91ATHSTHDW16	2 ATHENS STR RIGHT END PANL TP ASSEMBLY HDW	A	PT-ATHENS	PART
WALL	91ATHSTHDW13	2 ATHENS STR RIGHTEND ANGLD BS ASSEMBLY HDW	A	PT-ATHENS	PART
WALL	91ATHSTHDW14	2 ATHENS STR RIGHTEND ANGLD TP ASSEMBLY HDW	A	PT-ATHENS	PART
WALL	91ATHSTHDW17	2 ATHENS STR SINGLE FILE BASE ASSEMBLY HDW	A	PT-ATHENS	PART
WALL	91ATHSTHDW18	2 ATHENS STR SINGLE MOD BASE ASSEMBLY HDW	A	PT-ATHENS	PART
WALL	91ATHSTHDW19	2 ATHENS STR TV MODULAR TOP ASSEMBLY HDW	A	PT-ATHENS	PART
WALL	91ATHNMHDW17	2 ATHN NIM RT END PANEL BS HDW ASSEMBLY HDW	A	PT-ATHENS	PART
WALL	91ATHENSTIP	ATHENS ANTI-TIP KIT ALL ATHENS	A	PT-ATHENS	PART
WALL	91511HG BARBR	ATHENS BAR HANG BRACKET BRWN	D	PT-ATHENS	PART
WALL	91ATHBLKTIP	ATHENS BLACK ANTI TIP KIT ATHENS	D	PT-ATHENS	PART
WALL	91511LIDBLK	ATHENS BLACK CABLE HOLE LID ATHENS BLACK	A	PT-ATHENS	PART
WALL	91ATHBLGLIDE	ATHENS BLACK GLIDE ATHENS	D	PT-ATHENS	PART
WALL	91ATHBLKGLIDE	ATHENS BLACK GLIDES ATHENS BLACK	A	PT-ATHENS	PART
WALL	91ATHBLKNOB	ATHENS BLACK KNOBS ATHENS	A	PT-ATHENS	PART
WALL	91ATHBL LATCH	ATHENS BLACK LATCH ATHENS	A	PT-ATHENS	PART
WALL	91ATHBL LOCK	ATHENS BLACK LOCK ATHENS	A	PT-ATHENS	PART
WALL	91ATHBKMDRLH	ATHENS BLACK MOD RAIL HANGER LH/RH	D	PT-ATHENS	PART
WALL	91ATHNKMDHH	ATHENS BLACK MOD HARDWARE RAIL HANGER HARDWARE	D	PT-ATHENS	
WALL	40ATHBLKLEBKSHLF	ATHENS BLK EXTRA LFT END SHELF ANTIQUE BLACK	D	PT-ATHENS	PART
WALL	91511LIDBLK	ATHENS CABLE HOLE LID BLACK	A	PT-ATHENS	PART
WALL	91511LIDBR	ATHENS CABLE HOLE LID CIGARBRN	D	PT-ATHENS	PART
WALL	91511LIDW	ATHENS CABLE HOLE LID WHITE	D	PT-ATHENS	PART
WALL	40ATHDISPHDW	ATHENS DISPLAY CAB HDW	D	PT-ATHENS	PART
WALL	91511ATDISLK	ATHENS DISPLAY CAB LOCK LOCK ONLY	A	PT-ATHENS	PART
WALL	40ATHDSPMECH	ATHENS DISPLAY CAB LOCK MECH LOCK MECHANISM INCLUDES POLES	A	PT-ATHENS	PART
WALL	91ATHBLDSHF	ATHENS DISPLAY CAB SHELF BLK ATH BL 37.44 x 13.50 x 1	A	PT-ATHENS	PART
WALL	91ATHNMDSHF	ATHENS DISPLAY CAB SHELF NIMBS ATH NIM 37.44 x 13.50 x 1	A	PT-ATHENS	PART
WALL	91ATHSTDSHF	ATHENS DISPLAY CAB SHELF STRTS ATH STR 37.44 x 13.50 x 1	A	PT-ATHENS	PART
WALL	40ATHLFDRCBS	ATHENS DOOR CTCH LFT BASE	A	PT-ATHENS	PART
WALL	40ATHRTDRCBS	ATHENS DOOR CTCH RT BASE	A	PT-ATHENS	PART
WALL	91511ATHHNG	ATHENS DOOR HINGE QTY 1	A	PT-ATHENS	PART
WALL	91511ATHPULLL	ATHENS DOOR PULL LARGE	A	PT-ATHENS	PART
WALL	91511ATHPULLS	ATHENS DOOR PULL SM	A	PT-ATHENS	PART
WALL	40ATHFWDCBSHLF	ATHENS FW EXTRA CABINET SHELF ANTIQUE FRENCH WHITE	D	PT-ATHENS	PARGD
WALL	91511HG BARBL	ATHENS HANG BAR BRACKET BLK	D	PT-ATHENS	PART
WALL	91511ATHKEY	ATHENS KEY BLACK FOR BLACK, BROWN AND FR WHITE	A	PT-ATHENS	PART

# PARTS INVENTORY

WALL	91511NIMKEY	ATHENS KEY PEWTER FOR NIMBUS AND STRATUS	A	PT-ATHENS	PART
WALL	91ATHLHINGE	ATHENS L HINGES	A	PT-ATHENS	PART
WALL	91511ATHLIBHW	ATHENS LBRY ASSEMB HDW	D	PT-ATHENS	PART
WALL	40ATHLIBDCBS	ATHENS LBRY BKCE BS DOOR CTCH QTY 1 BASE DOOR CATCH	A	PT-ATHENS	PART
WALL	91ATHFWLBPL	ATHENS LBRY POLE BRASS ATHENS BLACK	A	PT-ATHENS	PART
WALL	91ATHSTRLBPL	ATHENS LBRY POLE PEWTER FOR STRATUS AND NIMBUS	A	PT-ATHENS	PART
WALL	91511BRASS	ATHENS LBRY POLE/LADDER BRASS FOR BLACK, BROWN, FRENCH WHITE	D	PT-ATHENS	PART
WALL	91ATHBLLSHF	ATHENS LBRY SHELF BLK ATH BL 36.25 x 13.50 x 1	A	PT-ATHENS	PART
WALL	91ATHNMLSHF	ATHENS LBRY SHELF NIMBUS ATH NIM 36.25 x 13.50 x 1	A	PT-ATHENS	PART
WALL	91511ATHSLATBK	ATHENS LBRY SHELF SLAT BLK	A	PT-ATHENS	PART
WALL	91511ATHSLATBR	ATHENS LBRY SHELF SPRT BRN	D	PT-ATHENS	PART
WALL	91511ATHSLATW	ATHENS LBRY SHELF SPRT FR WHT	D	PT-ATHENS	PART
WALL	91ATHSLATSTR	ATHENS LBRY SHELF SPRT STRATUS	A	PT-ATHENS	PART
WALL	91ATHSTLSHF	ATHENS LBRY SHELF STRATUS ATH STR 36.25 x 13.50 x 1	A	PT-ATHENS	PART
WALL	40ATHLIBTVTK	ATHENS LBRY TV TIP KIT SMALL TIP KIT FOR LIBRARY ONLY	D	PT-ATHENS	PART
WALL	91ATHLADNIM	ATHENS LIBRY LADDER NIMBUS	A	PT-ATHENS	PART
WALL	91ATHSMNDPLT	ATHENS MENDING PLATE QTY 1	A	PT-ATHENS	PART
WALL	91ATHBRSLAT	ATHENS MOD ANG BKSHLF SPRT BRN ANGLED BOOK SHELF	D	PT-ATHENS	PART
WALL	91ATH TIPKIT	ATHENS MOD ANTI TIP KIT	D	PT-ATHENS	PART
WALL	91511ATHCONBS	ATHENS MOD CONT BASE HDW connector base hardware	D	PT-ATHENS	PART
WALL	91ATHDRCTBS	ATHENS MOD DOOR CTCH BASE UNIVERSAL FOR ALL ATHENS	A	PT-ATHENS	PART
WALL	91ATHFWENSHF	ATHENS MOD ENDING SHELF FW FW RIGHT OR LEFT ENDING SHELF	D	PT-ATHENS	PART
WALL	91511ATHLFTENDBSHW	ATHENS MOD ENDING TOP HDW LEFT	D	PT-ATHENS	PART
WALL	91ATHMLDRHDW	ATHENS MOD LADDER HARDWARE HANGER PLATE, ALL FINISHES	A	PT-ATHENS	PART
WALL	91511ATHLFTTPHW	ATHENS MOD LFT END TOP PNL HW hardware for lft end top panel	D	PT-ATHENS	PART
WALL	91511MODLOCK	ATHENS MOD LOCK MECH DOES NOT INCL POLES	A	PT-ATHENS	PART
WALL	91ATHENPANBS	ATHENS MOD PNL CONNECT BS BLK BASE BLACK	D	PT-ATHENS	PART
WALL	91ATHPANBSFW	ATHENS MOD PNL CONNECT BS FW BASE FRENCH WHITE	D	PT-ATHENS	PART
WALL	91ATHENPANTP	ATHENS MOD PNL CONNECT TP BLK TOP BLACK	D	PT-ATHENS	PART
WALL	91ATHPANTPFW	ATHENS MOD PNL CONNECT TP FW TOP FRENCH WHITE	D	PT-ATHENS	PART
WALL	91511ATHRTBSHW	ATHENS MOD RT END BASE HDW RIGHT END BASE HARDWARE	D	PT-ATHENS	PART
WALL	91ATHBLSHS11	ATHENS MOD SHLF SLAT BLK 11.5 MODULAR BLACK 11.5" (293MM)	A	PT-ATHENS	PART
WALL	91ATHBLSHS12	ATHENS MOD SHLF SLAT BLK 12.25 MODULAR BLACK 12.25" (309MM)	A	PT-ATHENS	PART
WALL	91ATHBLSHS13	ATHENS MOD SHLF SLAT BLK 13 MODULAR BLK 13" (320MM)	A	PT-ATHENS	PART
WALL	91ATHNMSHS11	ATHENS MOD SHLF SLAT NIM 11.5 NIMB SHLF SPRT 11.5" (293MM)	A	PT-ATHENS	PART
WALL	91ATHNMSHS12	ATHENS MOD SHLF SLAT NIM 12.25 NIMB SHLF SPRT 12.25" (309MM)	A	PT-ATHENS	PART
WALL	91ATHNMSHS13	ATHENS MOD SHLF SLAT NIM 13 NIMBUS SHLF SPRT 13" (320MM)	A	PT-ATHENS	PART
WALL	91ATHFWSHS11	ATHENS MOD SHLF SPRT FW 11.5 FW MODULAR 11.5" (293MM)	D	PT-ATHENS	PART
WALL	91ATHFWSHS12	ATHENS MOD SHLF SPRT FW 12.25 FW SHLF SUPPORT 12.25" (309MM)	D	PT-ATHENS	PART

# PARTS INVENTORY

WALL	91ATHFWSHS13	ATHENS MOD SHLF SPRT FW 13" MODLUAR FRENCH WHT 13" (320MM)	D	PT-ATHENS	PART
WALL	91ATHNMBKSHF	ATHENS NIM SHELF MOD BOOKCASE TOP	A	PT-ATHENS	PART
WALL	91ATHNMTIP	ATHENS NIMBUS ANTI TIP KIT ATHENS	D	PT-ATHENS	PART
WALL	91ATHNMGLIDE	ATHENS NIMBUS GLIDES ATHENS	A	PT-ATHENS	PART
WALL	91ATHNMKNOB	ATHENS NIMBUS KNOBS ATHENS	A	PT-ATHENS	PART
WALL	91ATHNMLATCH	ATHENS NIMBUS LATCH ATHENS	A	PT-ATHENS	PART
WALL	91ATHNMLOCK	ATHENS NIMBUS LOCK ATHENS	A	PT-ATHENS	PART
WALL	91ATHSTTIP	ATHENS STRATUS ANTI TIP KIT ATHENS	A	PT-ATHENS	PART
WALL	91ATHSTGLIDE	ATHENS STRATUS GLIDES ATHENS	A	PT-ATHENS	PART
WALL	91ATHSTKNOB	ATHENS STRATUS KNOBS ATHENS	A	PT-ATHENS	PART
WALL	91ATHSTLATCH	ATHENS STRATUS LATCH ATHENS	A	PT-ATHENS	PART
WALL	91ATHSTLOCK	ATHENS STRATUS LOCK ATHENS	A	PT-ATHENS	PART
WALL	91ATHSTMDRLH	ATHENS STRATUS MOD RAIL HANGER LH/RH	D	PT-ATHENS	



# ARHAUS®

your home

## baumann



**142" Media Wall Unit**  
 142.5" w x 19" d x 85.5" h  
 Natural 40BM3NT142KT  
 Brown 40BM3BR142KT  
 Black 40BM3BL142KT  
 Ashland Coastal 40BMCST142KT



**112" Media Wall Unit**  
 112.5" w x 19" d x 85.5" h  
 Natural 40BAUMAN3KT  
 Brown 40BAUMBR3KT  
 Black 40BAUMBL3KT  
 Ashland Coastal 40BAUMACKT

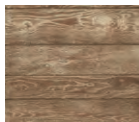


**64" Media Console**  
 64.5" w x 23" d x 34" h  
 Natural 40BAU64TV2  
 Brown 40BAUBR64TV2  
 Black 40BAUBL64TV2  
 Ashland Coastal 40BAUAC64TV



**50" Media Console**  
 50" w x 23" d x 34" h  
 Natural 40BAUBR50TV2  
 Brown 40BAUBR50TV  
 Black 40BAUBL50TV  
 Ashland Coastal 40BAUC50TV

**Finishes:**



Natural



Brown



Black



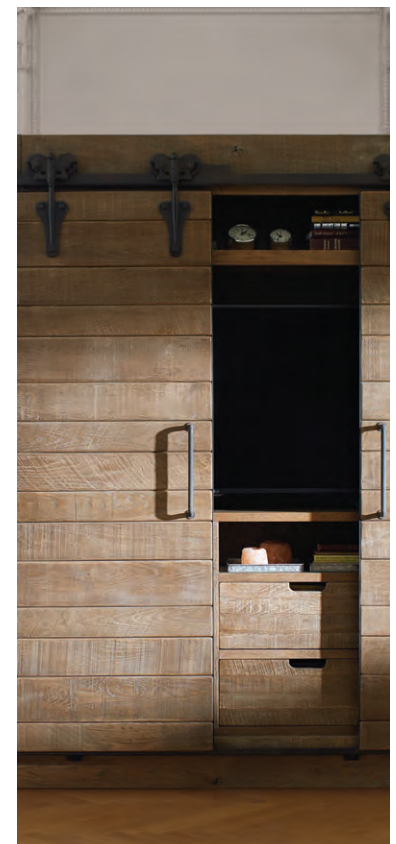
Ashland Coastal

## childhood memories of summers

spent on a farm in central Ohio became our inspiration for the sliding barn doors of our Baumann Collection. Artisans hand-plane solid oak grown and harvested in America. Each section is hand-finished with an antique rust patina. Even the hardware has been replicated—the castings for the wheels and tracks are inscribed with the words “Ashland County,” reminiscent of original barn doors. Slide the rustic doors to reveal or conceal additional storage.

### product details

- ▶ All pieces are handcrafted of solid oak wood.
- ▶ Wood is grown and harvested in the United States in adherence to global environmental policies.
- ▶ Each solid oak plank is hand-planed, hand-sanded and then layered with several coatings of glaze.
- ▶ Artisans apply a matte lacquer topcoat to each piece for extra protection.
- ▶ Solid, cast iron wheels and hardware are hand-finished in a natural rust patina.
- ▶ Hardware is lacquered to prevent oxidation and staining.
- ▶ Each piece may vary slightly in shading and grain pattern.
- ▶ Each plank purposefully varies in size to replicate original barn doors.
- ▶ Some small splits may occur, adding character to each piece.
- ▶ Natural knots and joint lines add interest without affecting performance.
- ▶ Natural wood will display movement due to changes in temperature and humidity.
- ▶ Frames are constructed using a reinforced mortise-and-tenon assembly.
- ▶ 112" Media Wall Unit and Media Consoles feature adjustable and removable shelving.
- ▶ 142" Media Wall Unit features removable shelving only. Shelving is non-adjustable.
- ▶ Cord management holes accommodate all electronics.
- ▶ 112" Media Wall Unit features a 50" w x 15" d x 35"-42" h TV cavity with removable shelf.
- ▶ 142" Media Wall Unit features a 65" w x 15" d x 35"-42" h TV cavity with removable shelf.
- ▶ Due to weight and size, 142" Media Wall Unit can be delivered to first floor only. No steps.
- ▶ Due to the height of 112" and 142" Media Wall Units, please verify the clearance measurements of ceilings, doorways, stairways, elevators, and hallways.



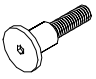

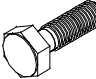

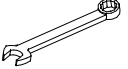
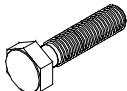

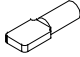
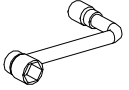
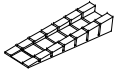


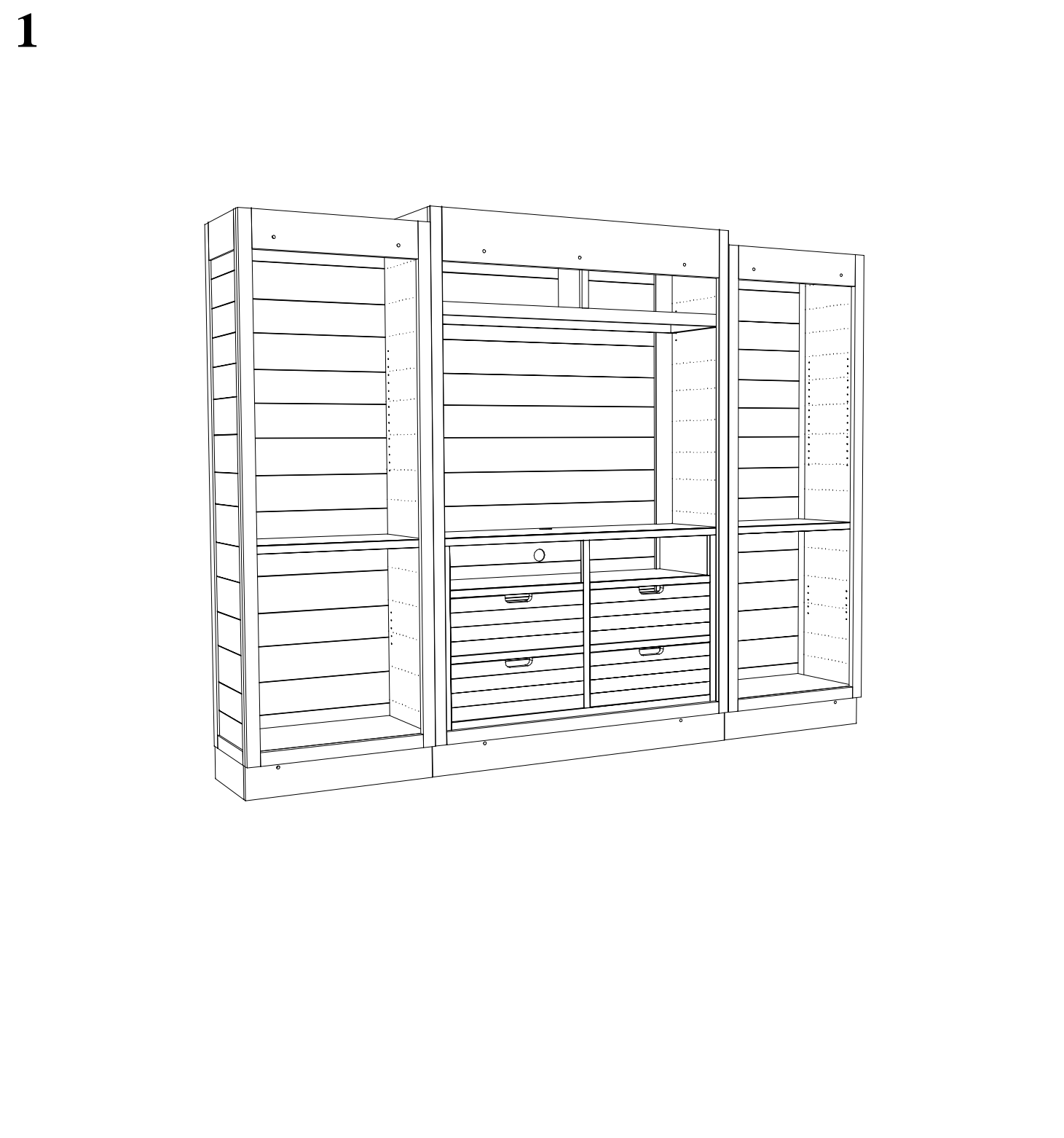
40BAUCNTR 142	40BAUBLKCENR 142	40BAUBRCNTR 142
40BAULFT 142	40BAUBLKLFT 142	40BAUBRLFT 142
40BAURHT142	40BAUBLKRHT142	40BAUBRRHT142
40BAUDRS142	40BAUBLKDRS142	40BAUBRDRS142
40BAURAILS142	40BAUBLKRAILS142	40BAUBRRAILS142

# Assembling Instruction

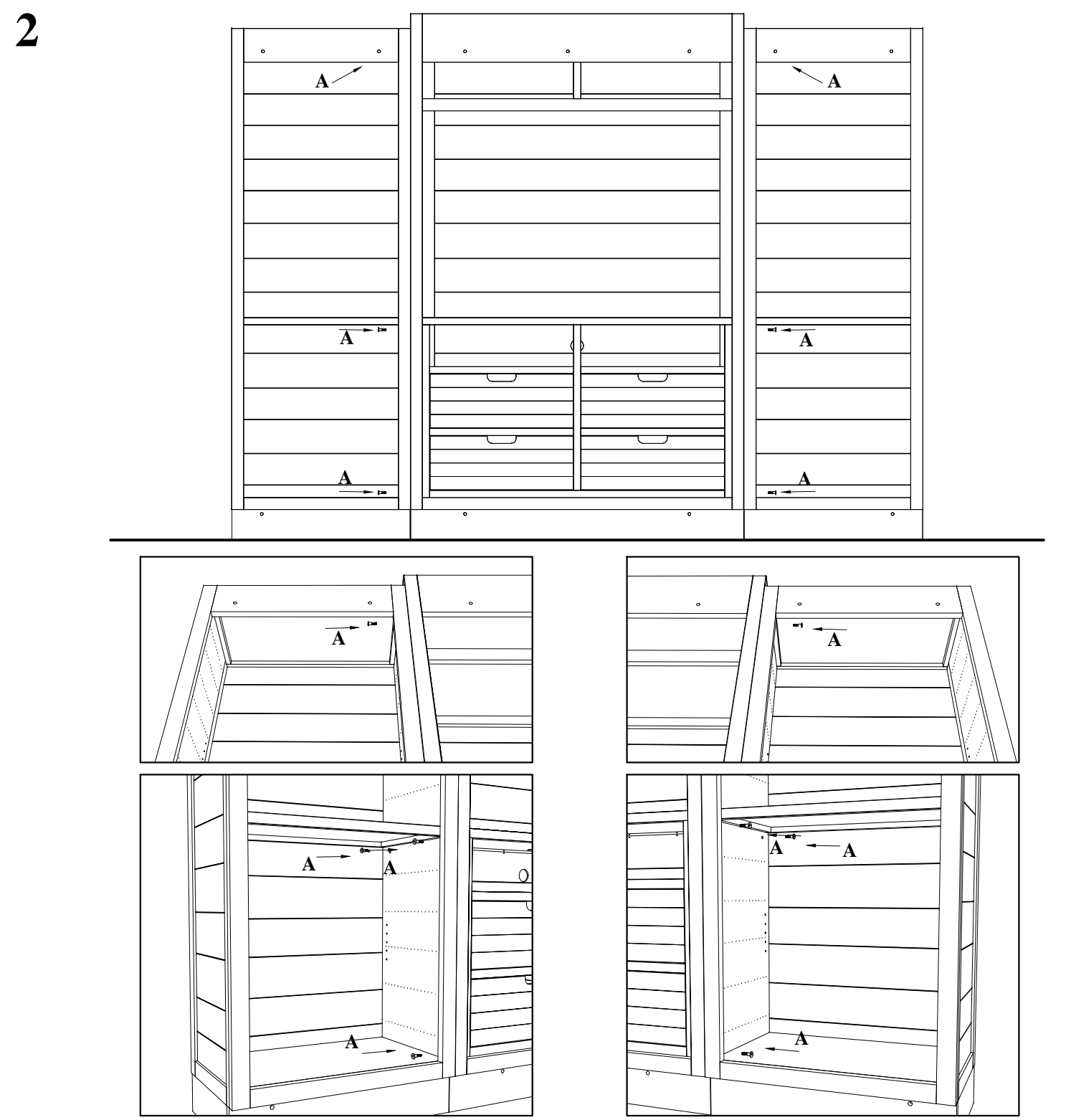
## Baumann 142" Wall Unit (719.812)

### Hardware 91378BAUMHW

A =  = 8 Pcs	C =  = 7 Pcs	E =  = 4 Pcs	G =  = 2 Pcs	I =  = 1 Pc
B =  = 7 Pcs	D =  = 7 Pcs	F =  = 28 Pcs	H =  = 1 Pc	J =  = 12 Pcs

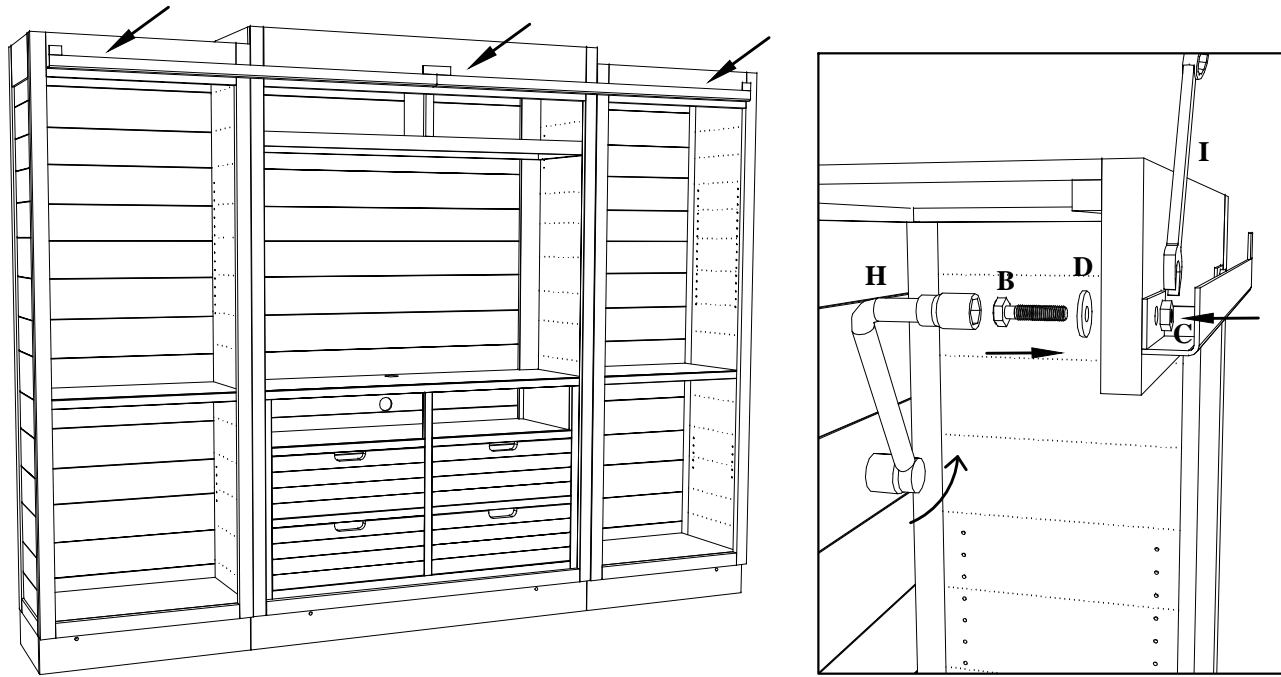


Place the three units in final position leveled.



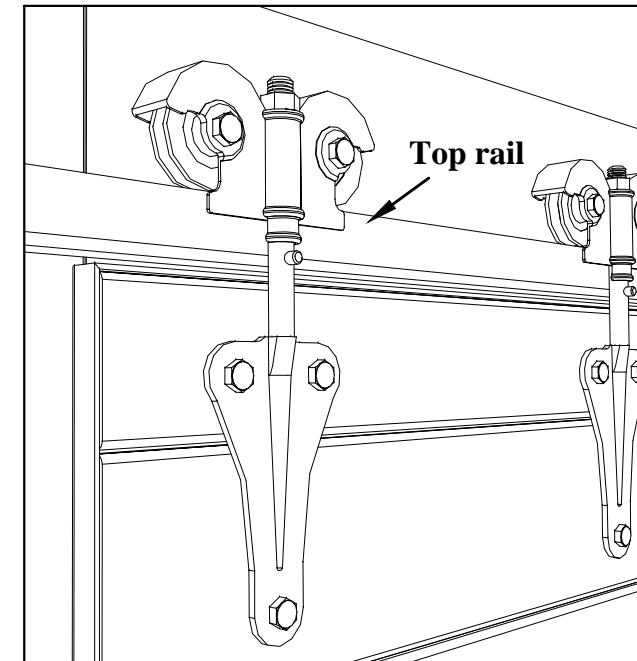
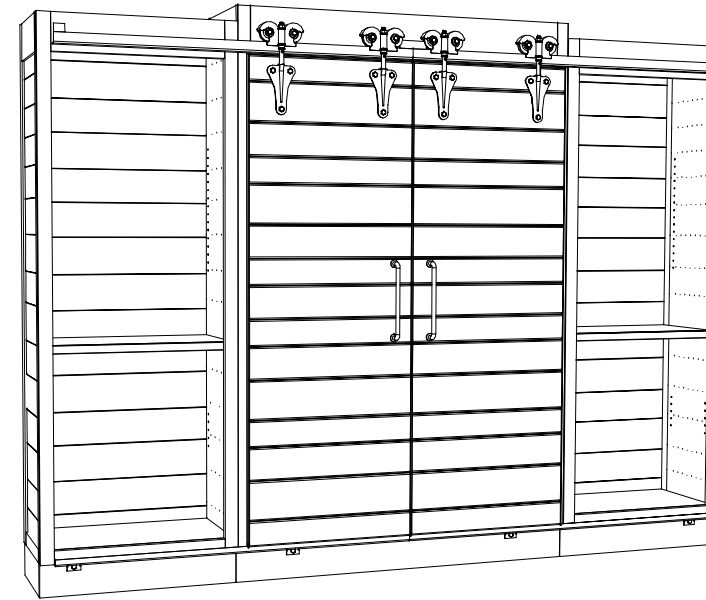
Joint sides unit with center unit using assembling bolt ( A ) and tight firmly using allen key ( G ).

3

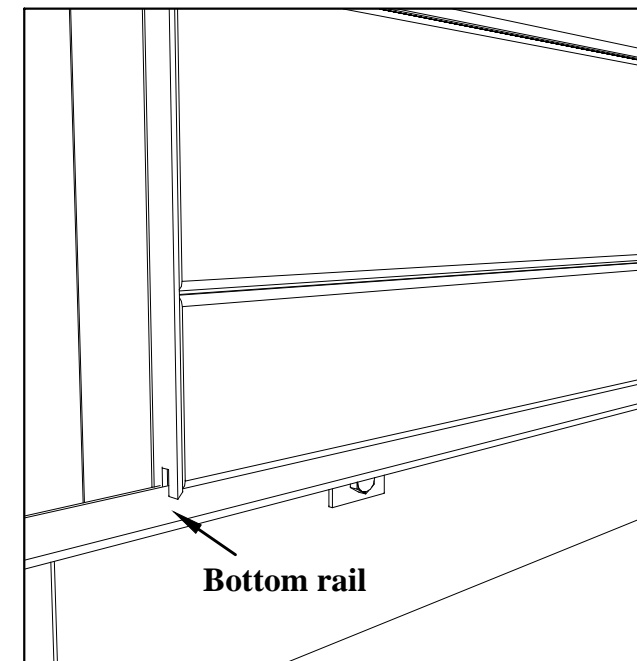


Install Top Rail , use bolt and washer ( B & D ) from inside side and nut ( C ) from outside side. Tightened bolt using wrench ( H ) from inside and hold the nut using key ( I ) from outside.

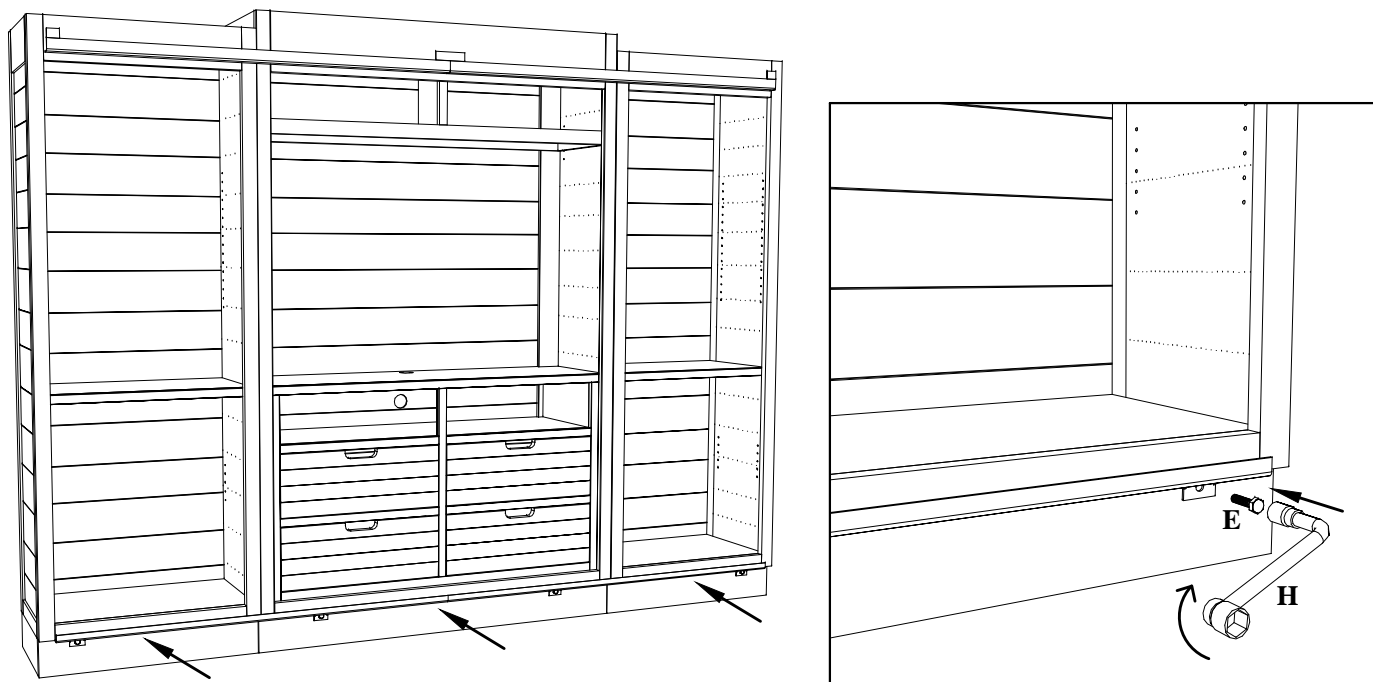
5



Install doors by hanging the wheels on top rail and same time ensuring that the groove on bottom of doors grip the bottom rail.

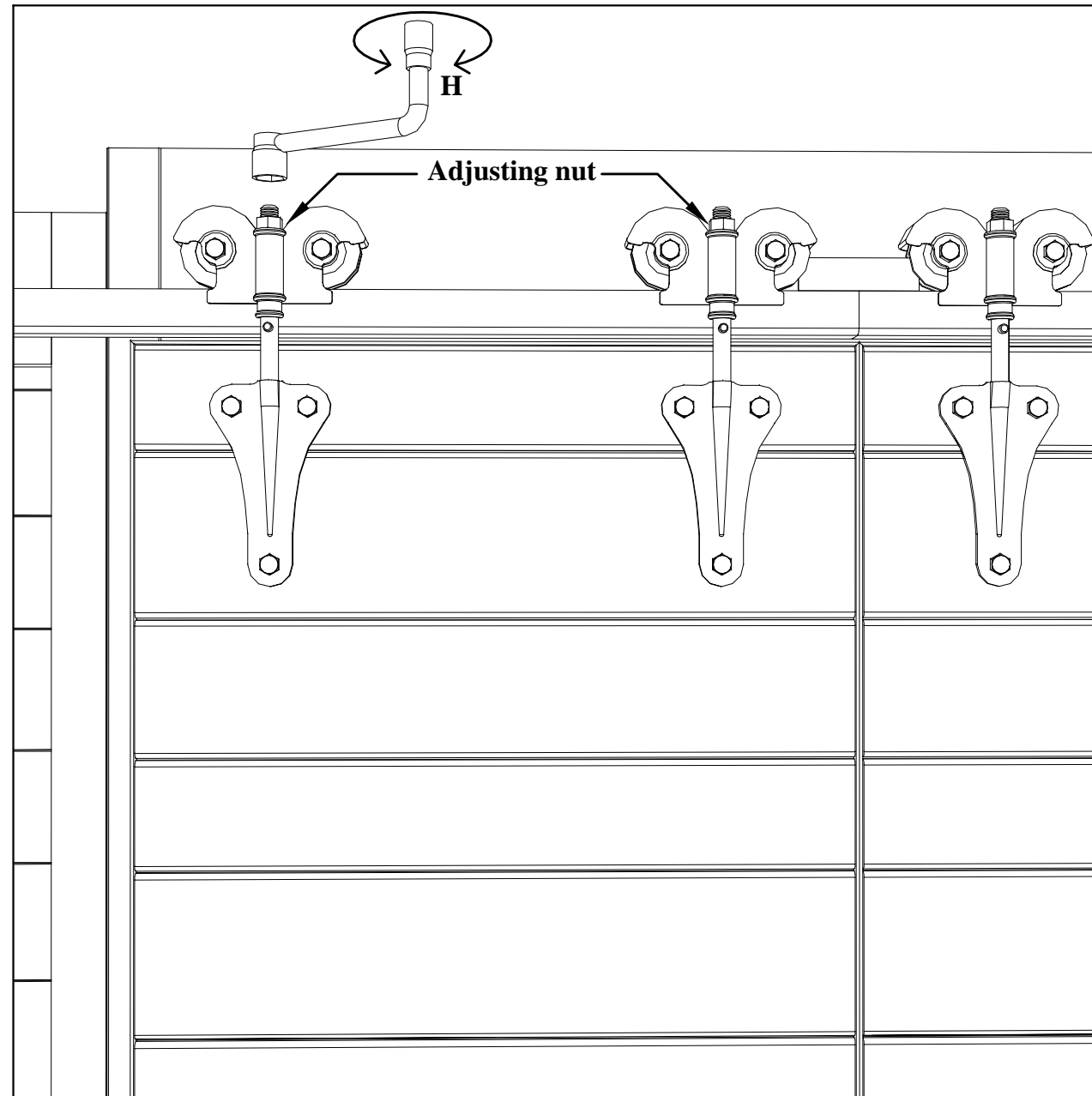


4



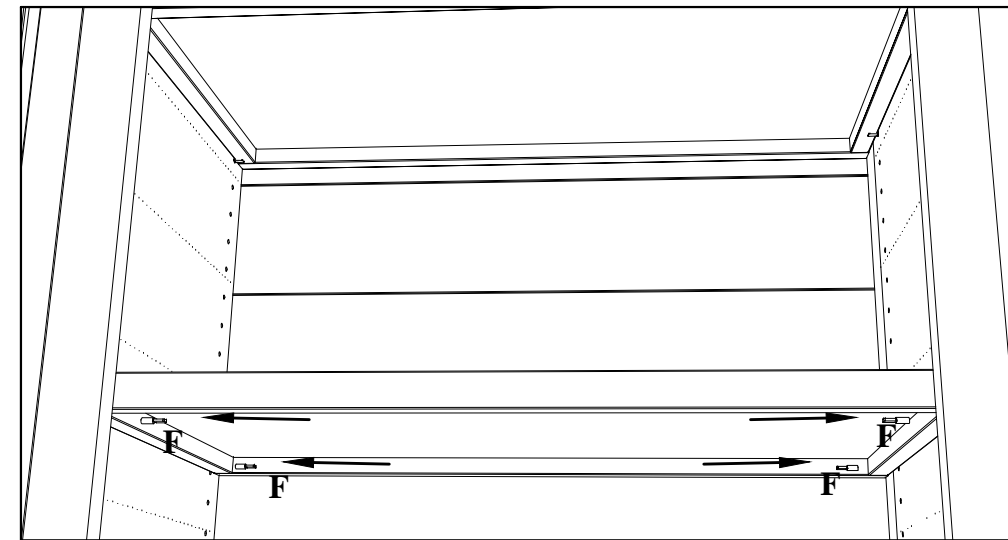
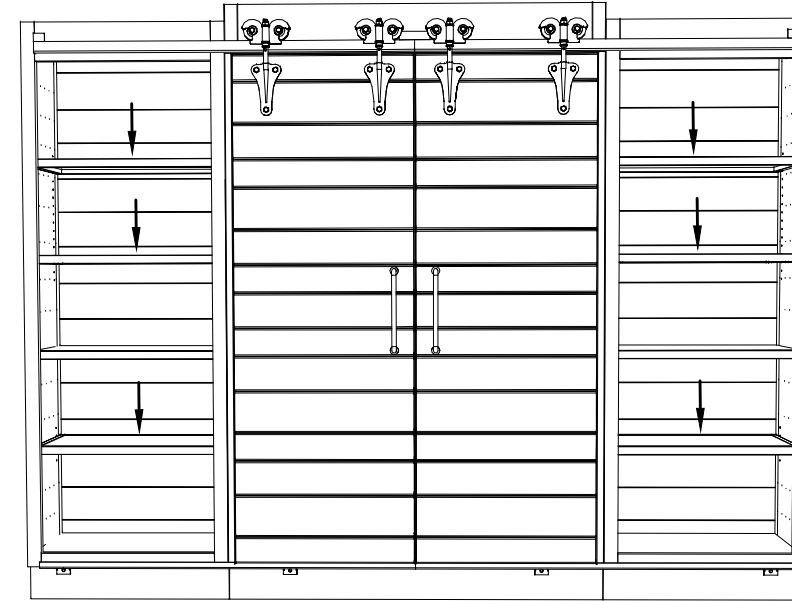
Install Bottom Rail , use bolt ( E ) from outside side and tightened with wrench ( H ) by turning clockwise.

6



Adjust nuts on top wheel brackets using wrench ( H ) to balance the two doors to same height, and ensure enough clearance on bottom rail for a smooth movement of doors.

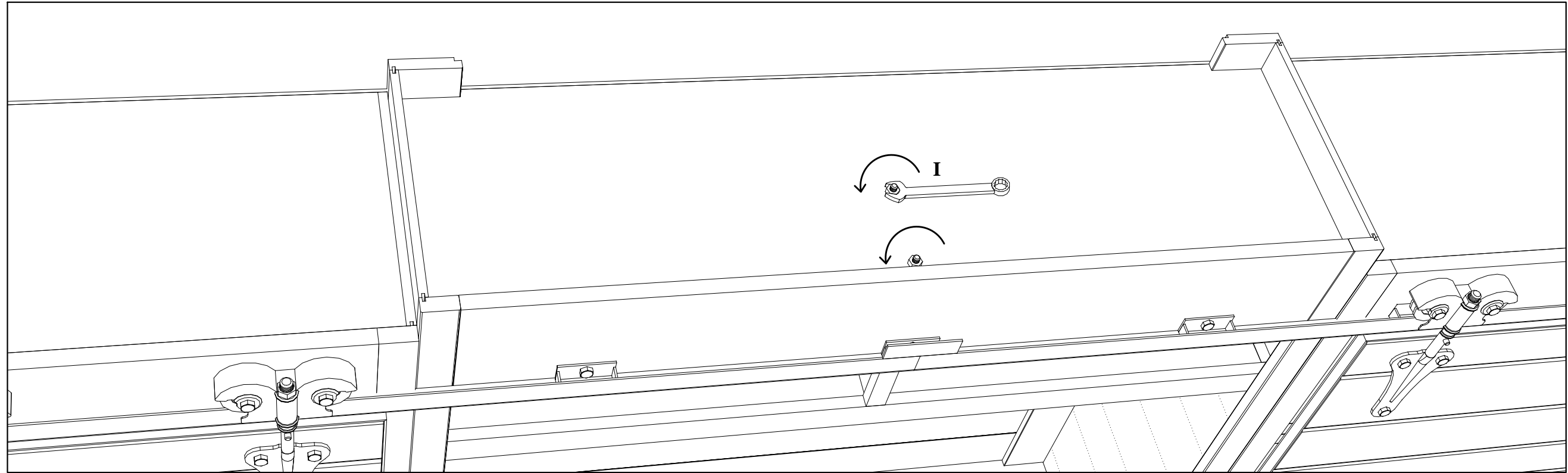
7



Install shelf support ( F ) into the holes and install adjustable shelf for side units.

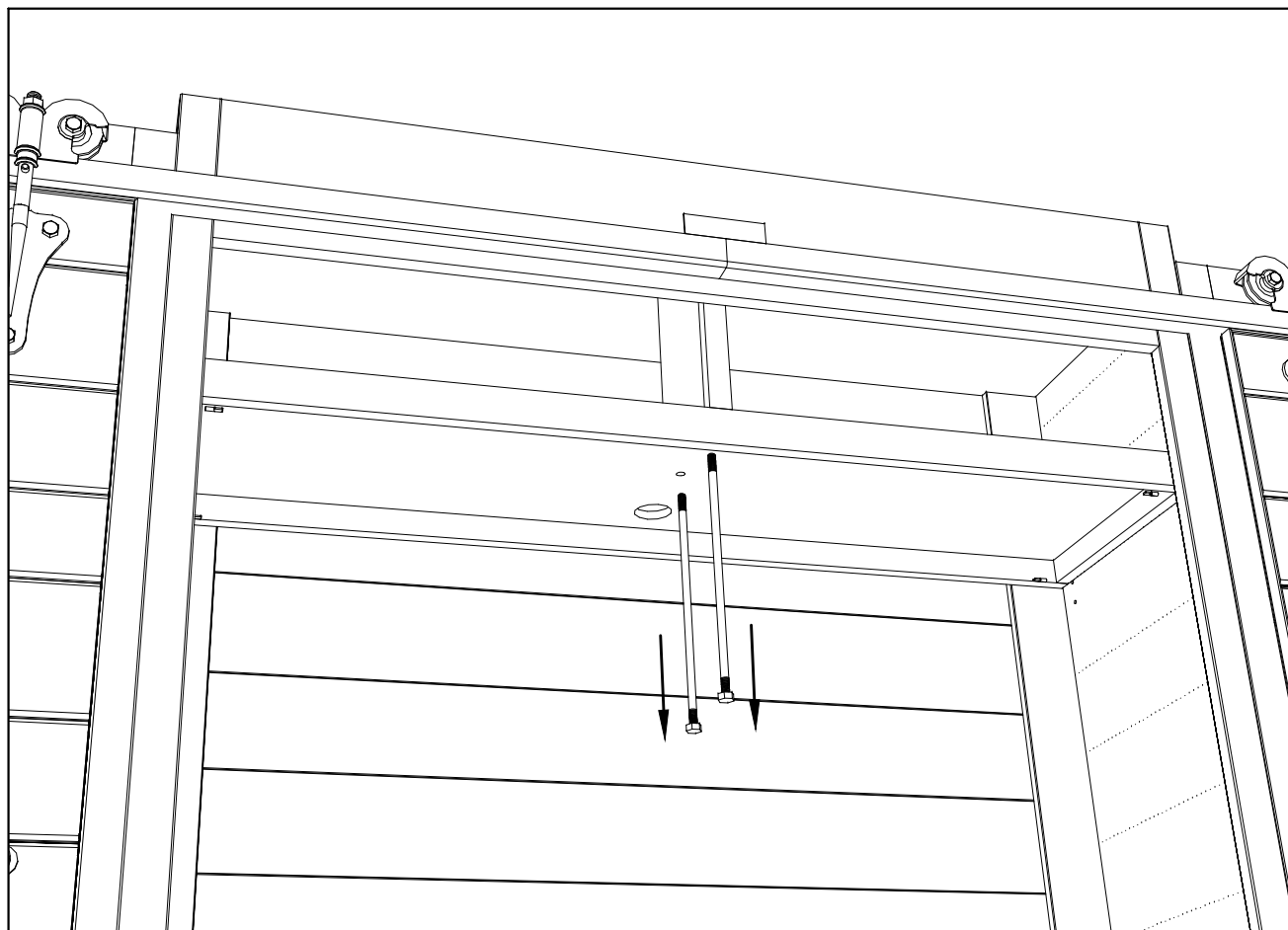
HANDLE: 91BAUMHNDLE  
REPLACEMENT SHELF: 91378BAUSHF

**8** Adjustable shelf on center unit can be removed if needed

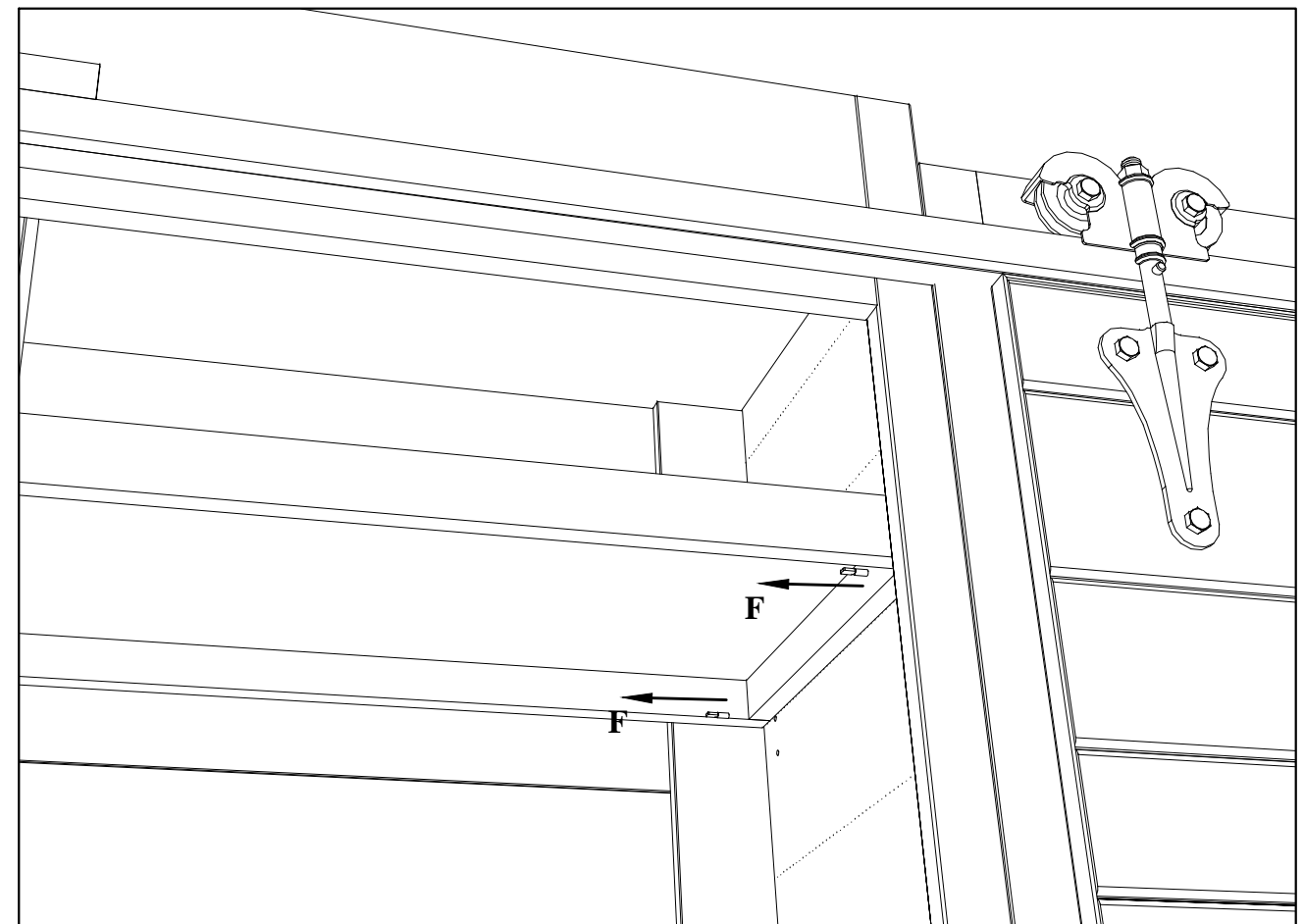


**a. Untight nut from top, using key (I).**

CENTER SHELF REPLACEMENT  
BROWN: 91378BAUSLFBR  
NATURAL: 40BAUMSHELF

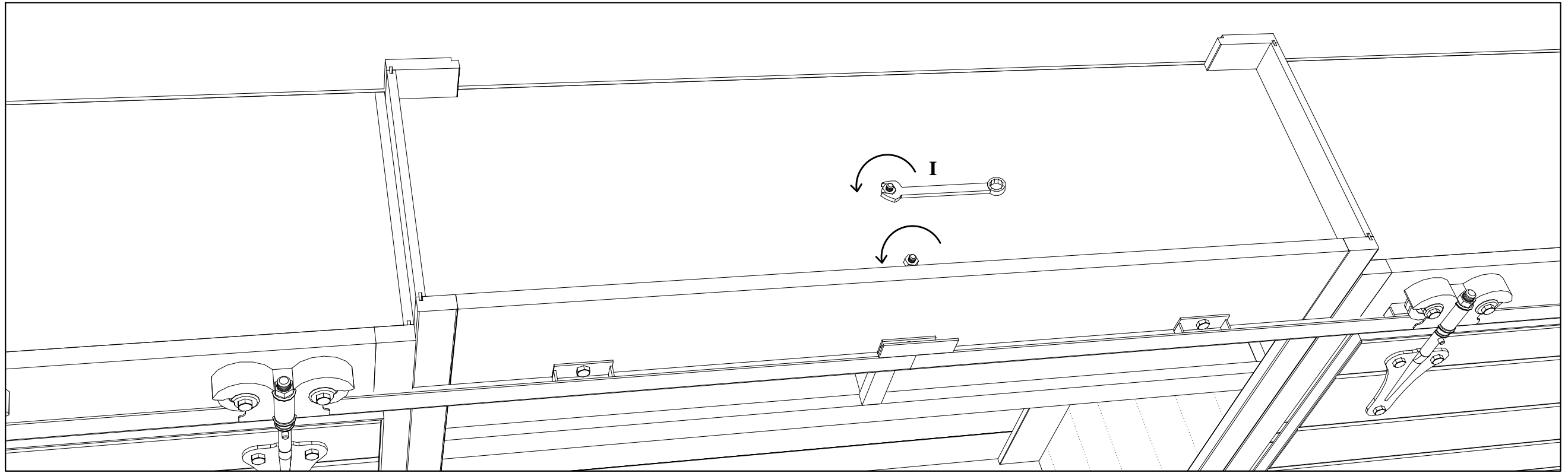


**b. Remove bolt from the bottom of shelf.**

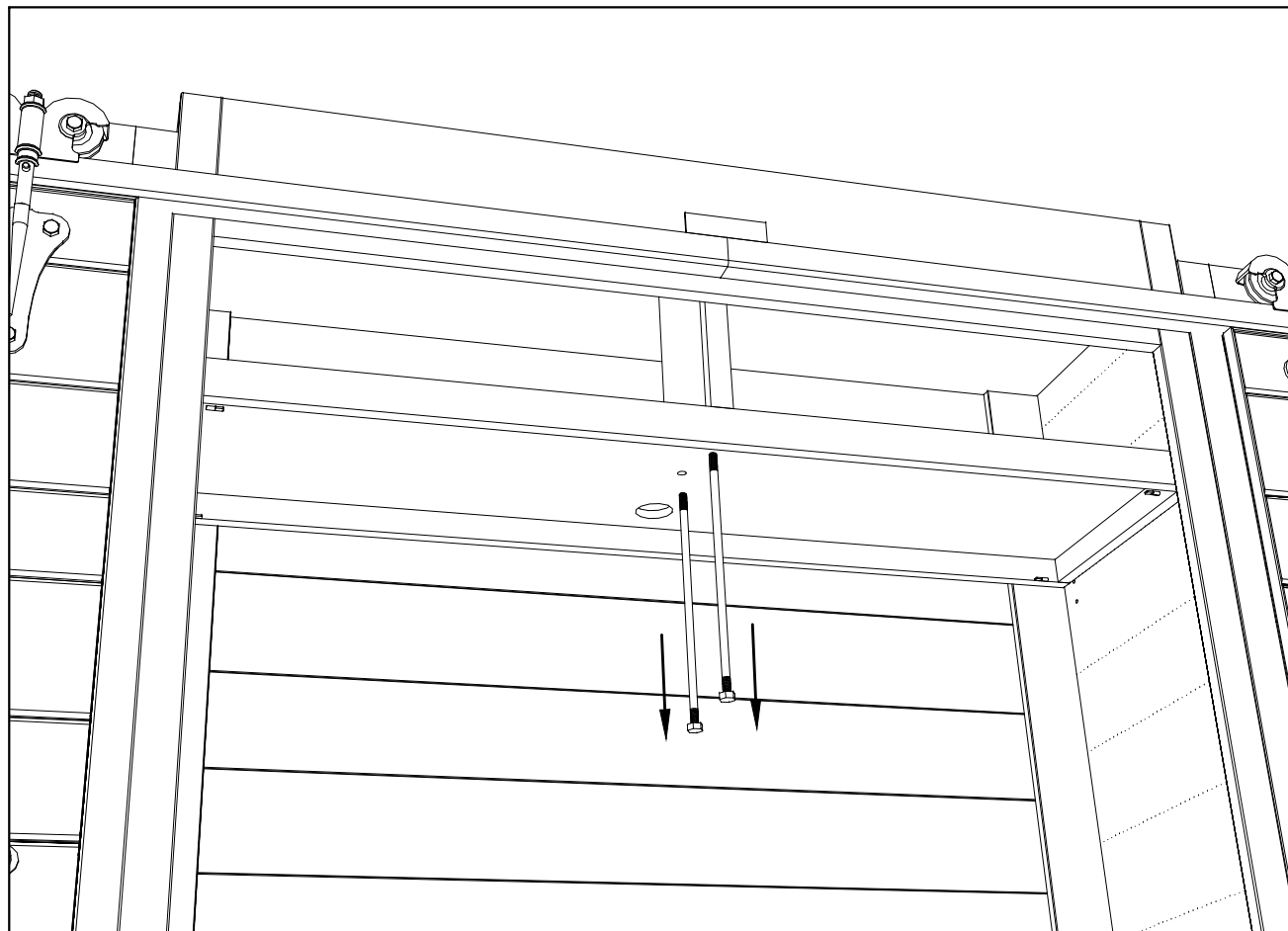


**c. Remove shelf support ( F ) from the holes.**

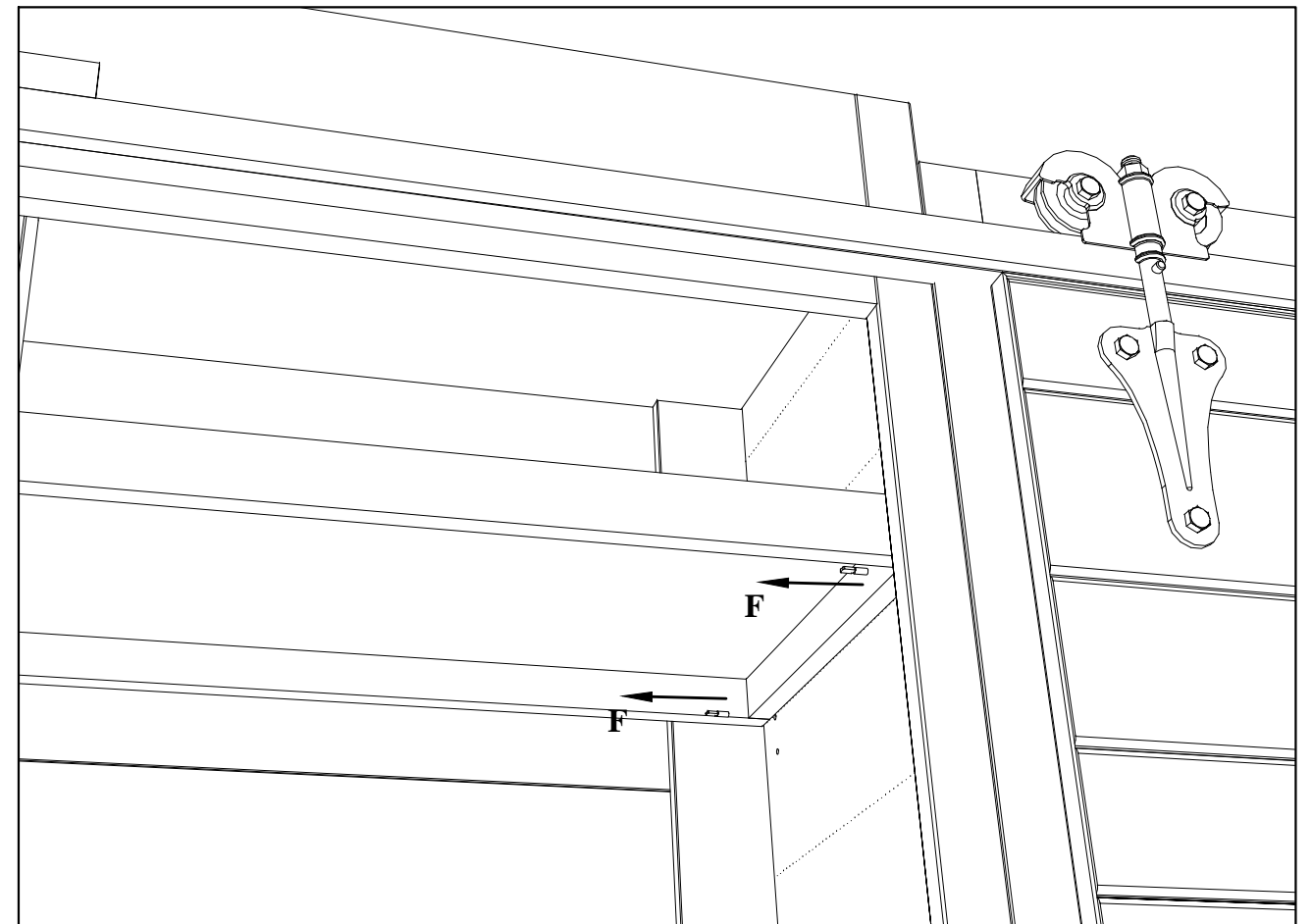
**8 Removable shelf on center unit can be removed if needed**



**a. Untight nut from top, using key (I).**



**b. Remove bolt from the bottom of shelf.**



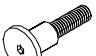
**c. Remove shelf support ( F ) from the holes.**

40BAUCNTR	40BAUBLKCNTR	40BAUBRCNTR
40BAULFT	40BAUBLKLFT	40BAUBRLFT
40BAURHT	40BAUBLKRHT	40BAUBRRHT
40BAUDRS	40BAUBLKDRS	40BAUBRDRS
40BAURAILS	40BAUBLKRAILS	40BAUBRRAILS

# Assembling Instruction

## Baumann Wall Unit (719.801)


### Hardware 91378BAUMHW

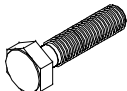
A =  = 8 Pcs

C =  = 7 Pcs

E =  = 4 Pcs

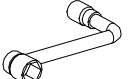
G =  = 2 Pcs

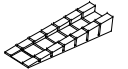
I =  = 1 Pc

B =  = 7 Pcs

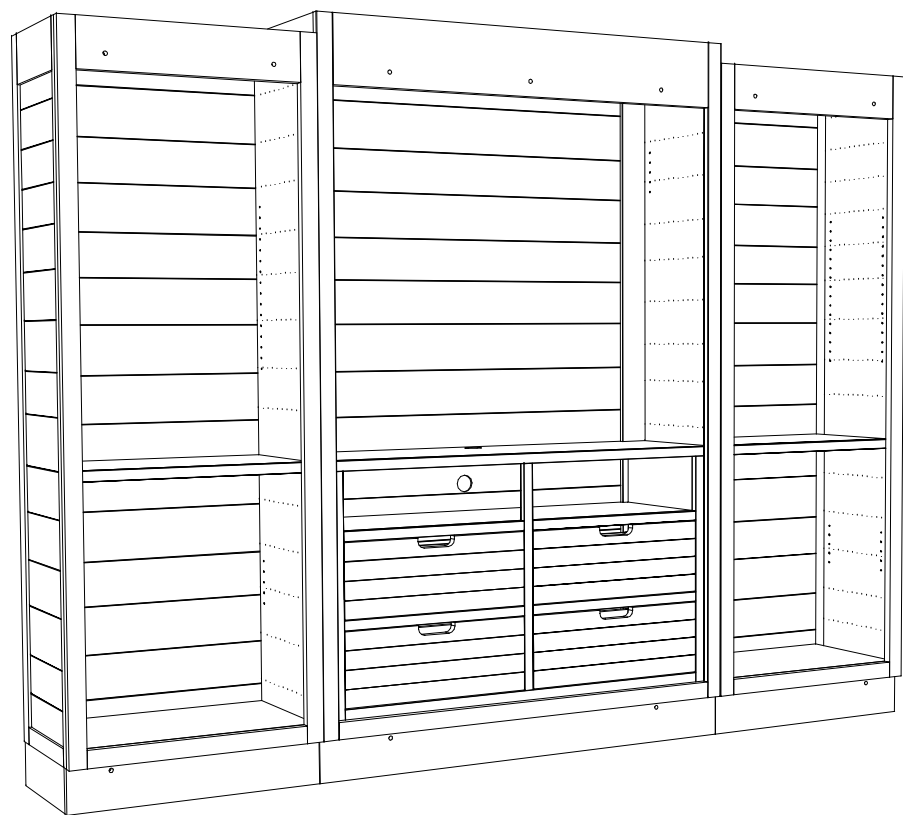
D =  = 7 Pcs

F =  = 28 Pcs

H =  = 1 Pc

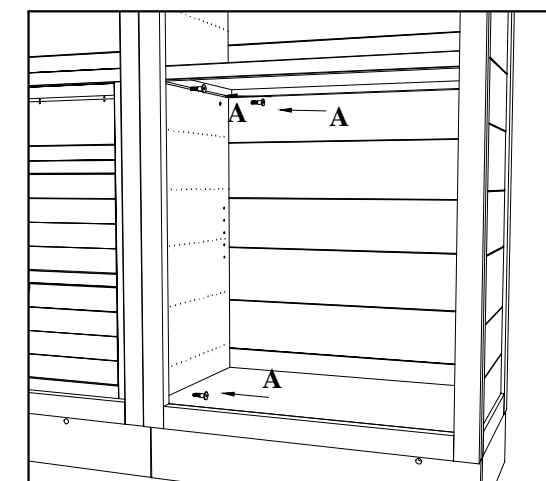
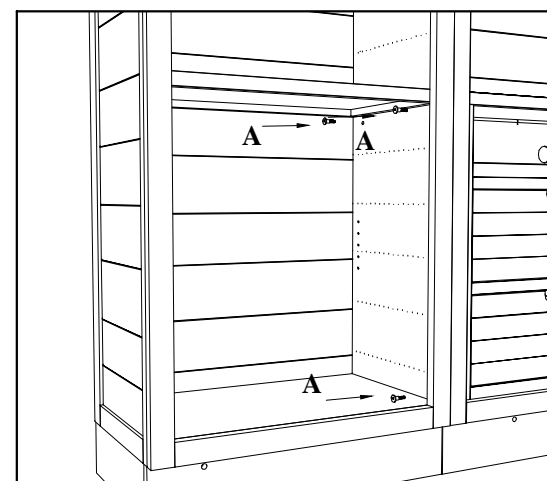
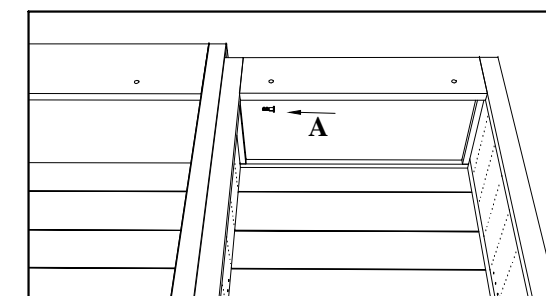
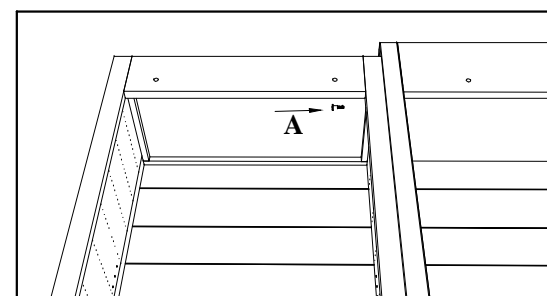
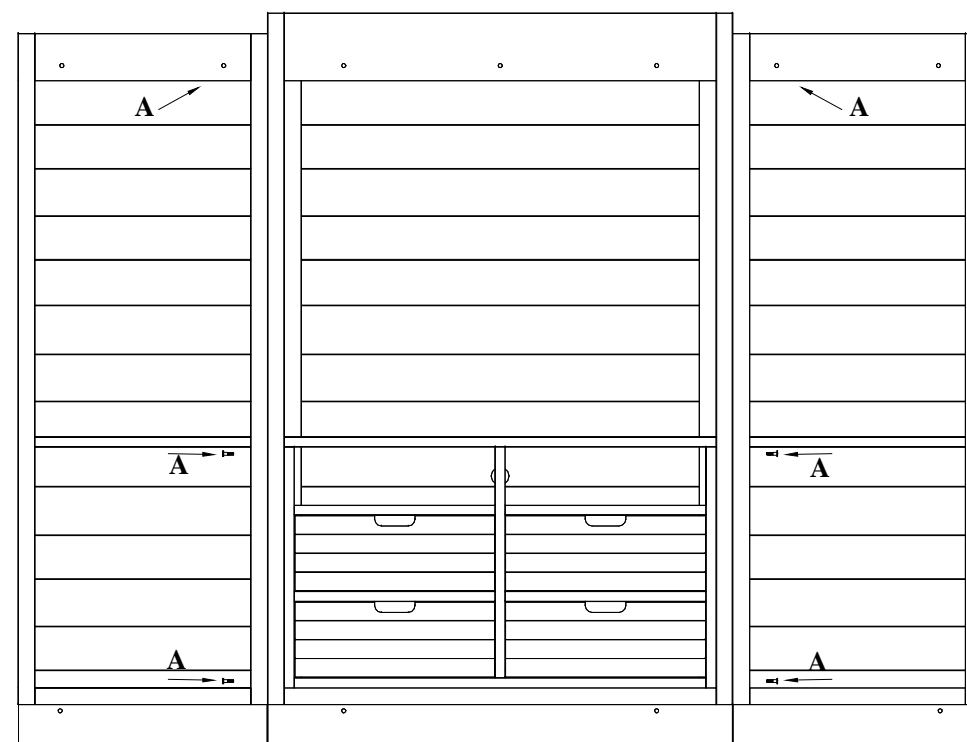
J =  = 12 Pcs

**1**



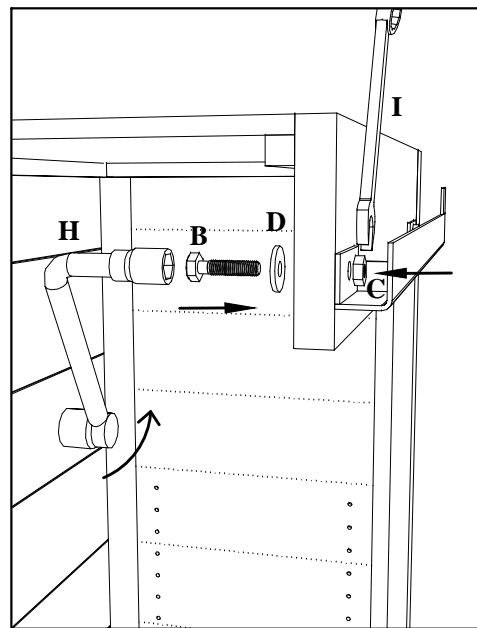
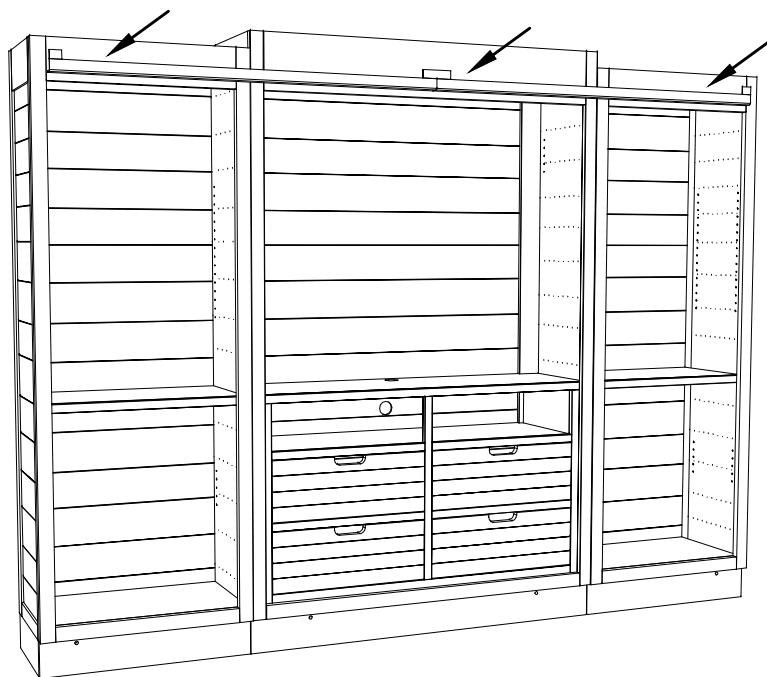
Place the three units in final position leveled.

**2**



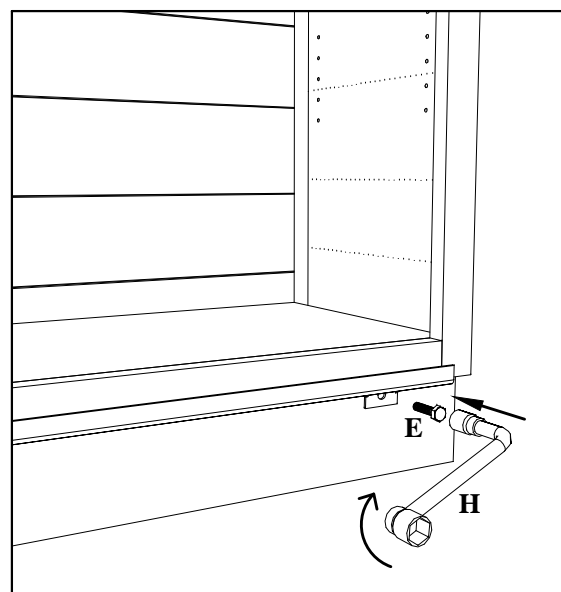
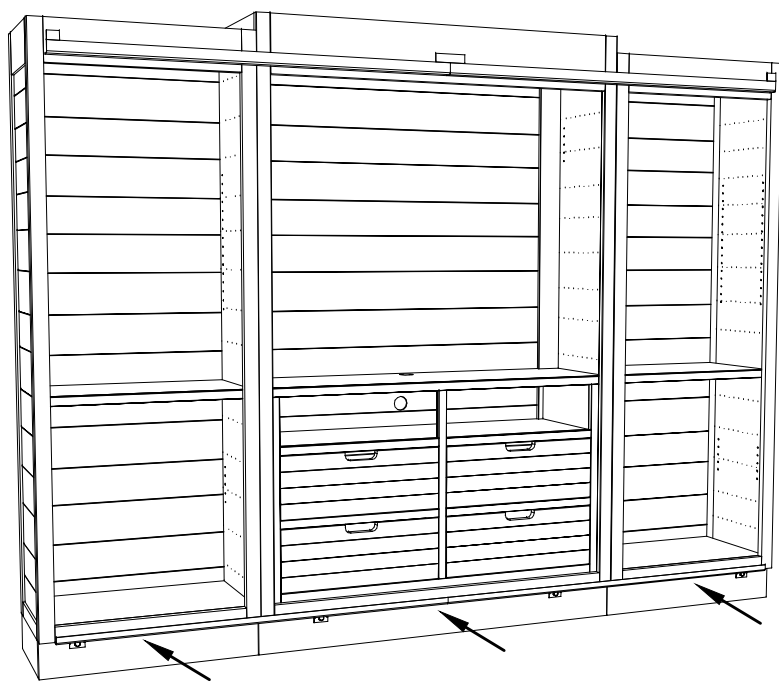
Joint sides unit with center unit using assembling bolt ( A ) and tight firmly using allen key ( G ).

3



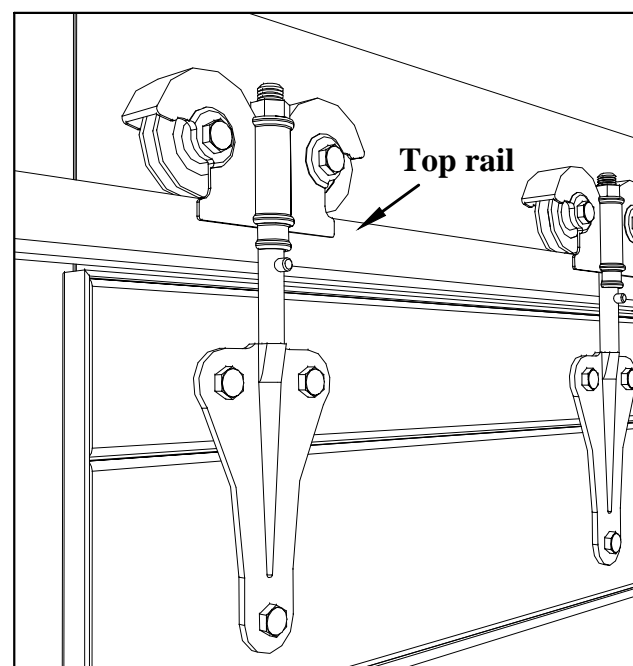
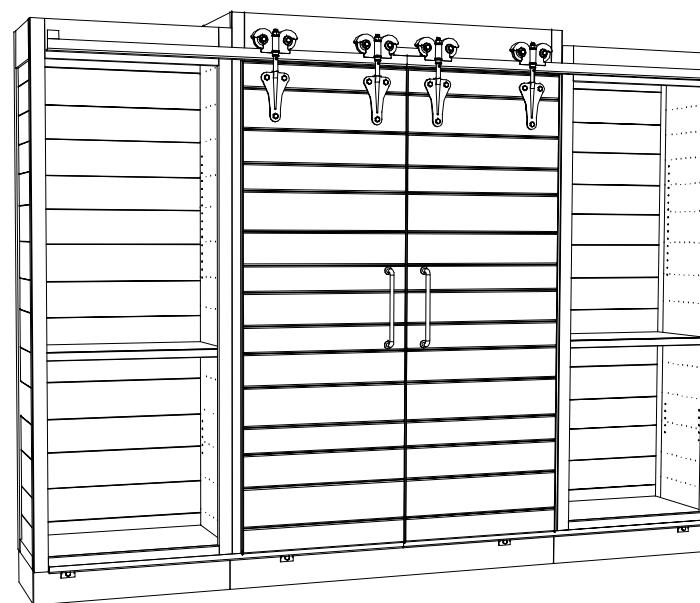
Install Top Rail , use bolt and washer ( B & D ) from inside side and nut ( C ) from outside side. Tightened bolt using wrench ( H ) from inside and hold the nut using key ( I ) from outside.

4

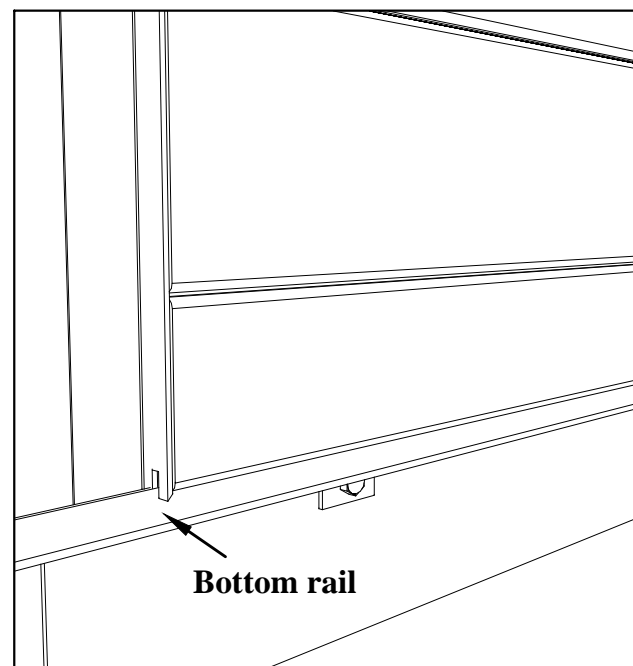


Install Bottom Rail , use bolt ( E ) from outside side and tightened with wrench ( H ) by turning clockwise.

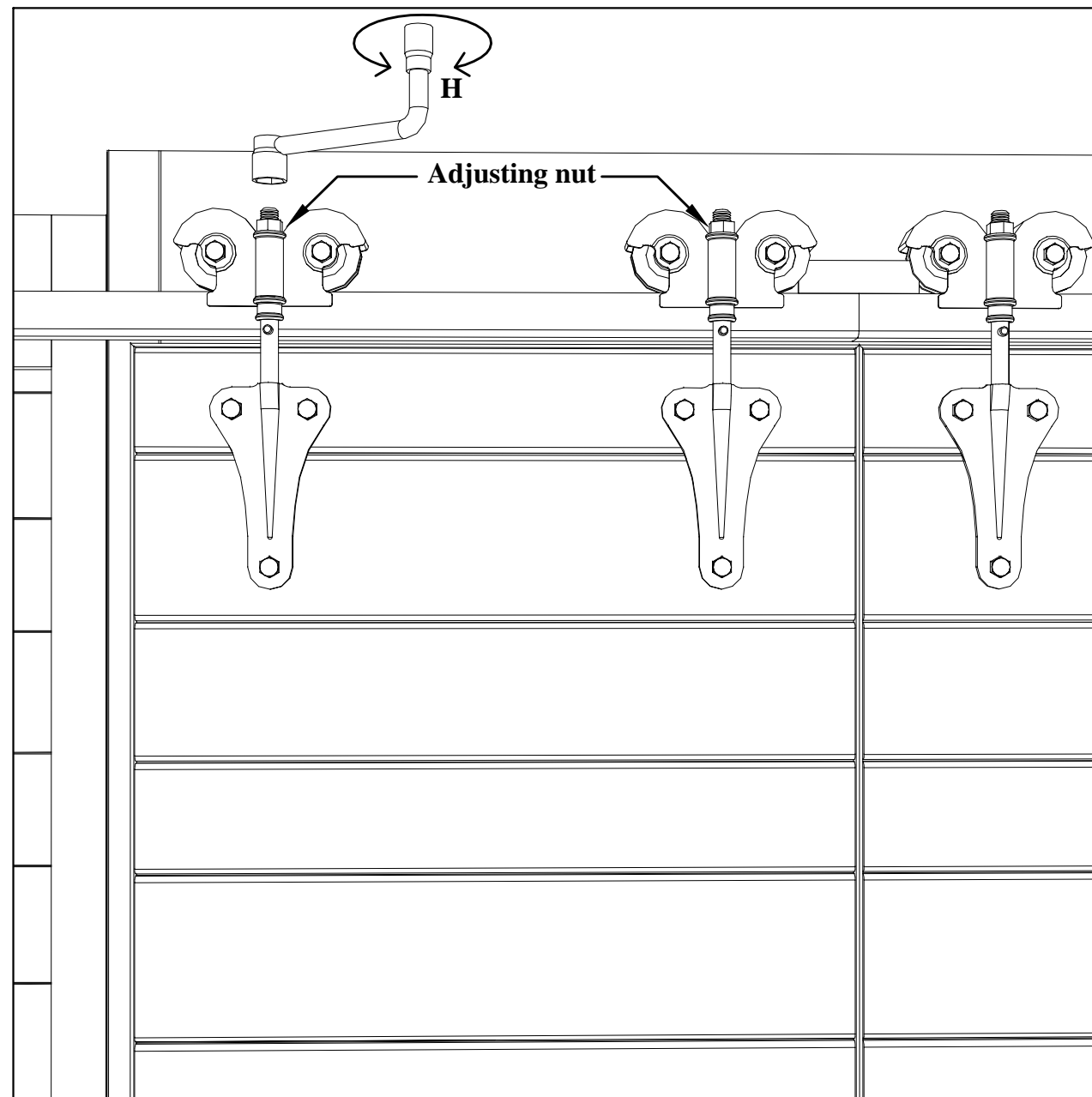
5



Install doors by hanging the wheels on top rail and same time ensuring that the groove on bottom of doors grip the bottom rail.

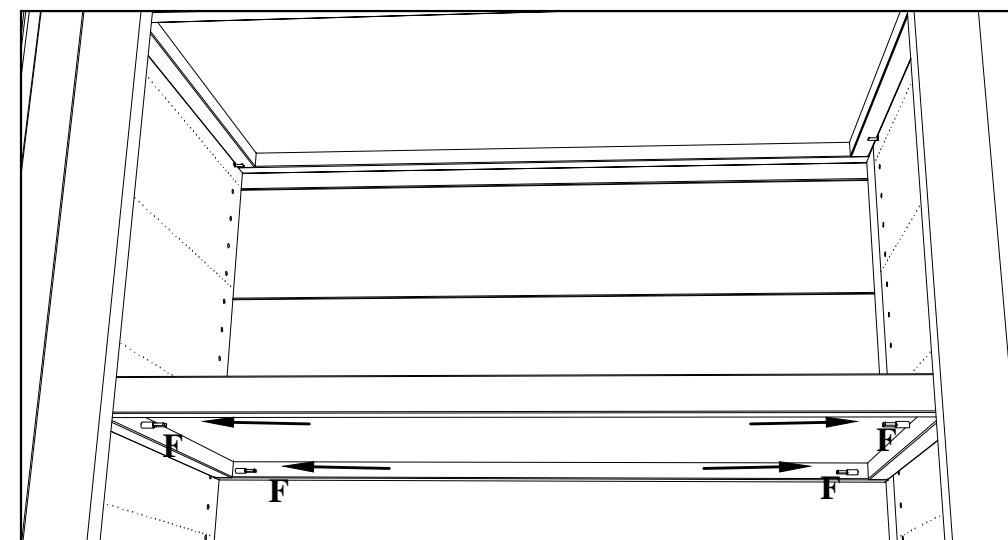
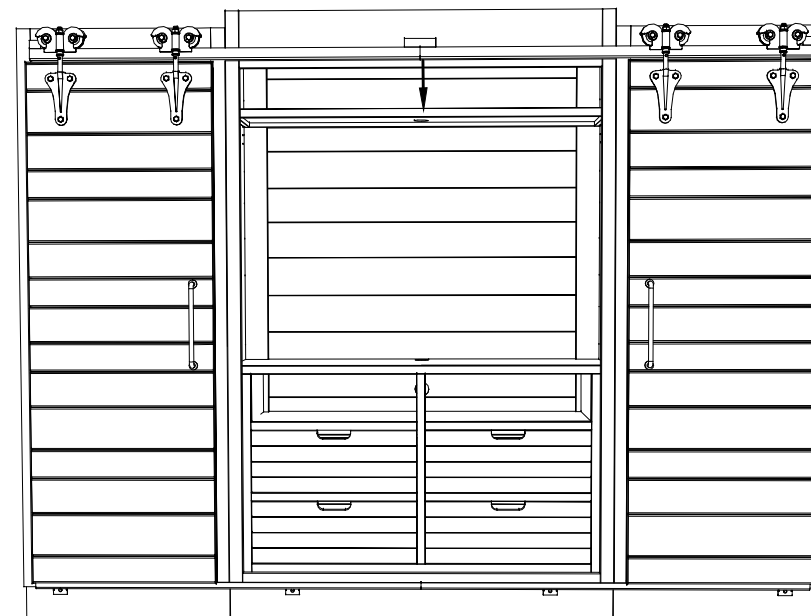
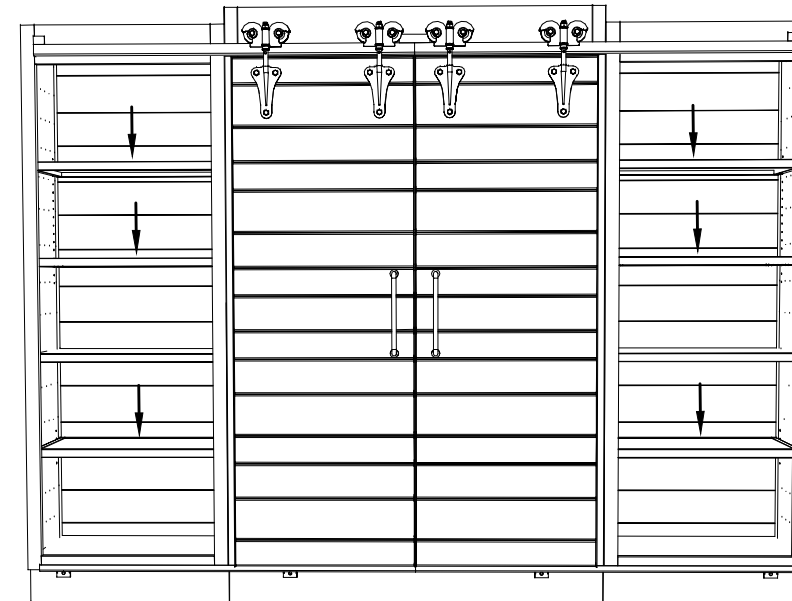


6



Adjust nuts on top wheel brackets using wrench ( H ) to balance the two doors to same height, and ensure enough clearance on bottom rail for a smooth movement of doors.

7

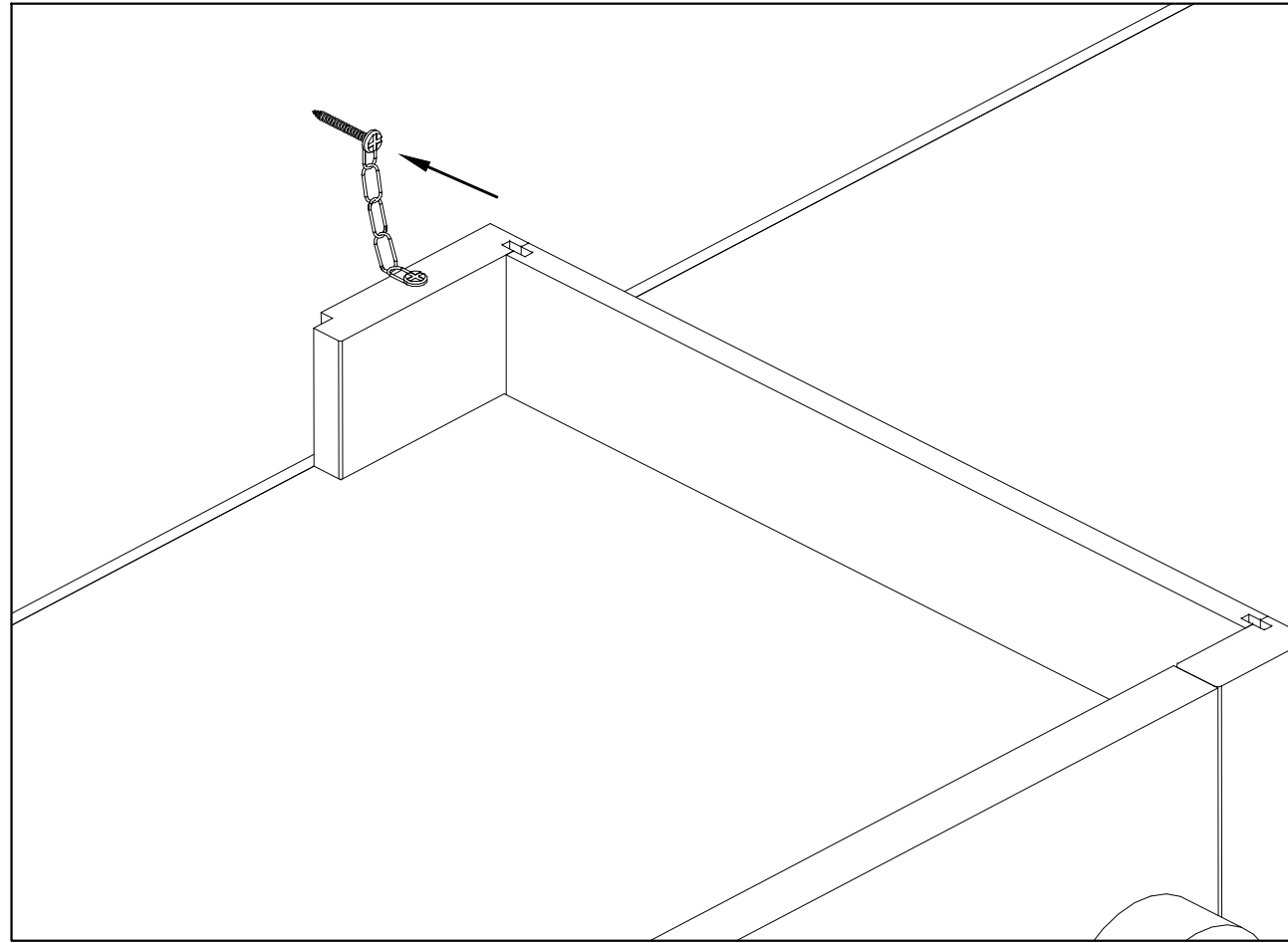


Install shelf support ( F ) into the holes and install adjustable shelf for side units and center unit.

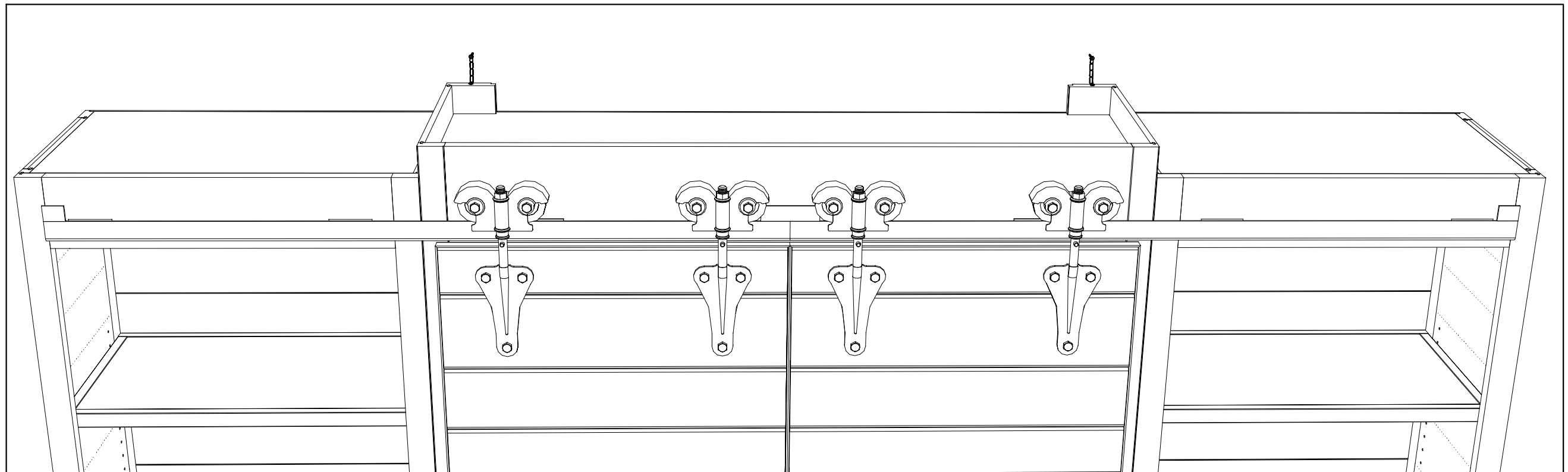
HANDLE: 91BAUMHNDLE  
REPLACEMENT SHELF: 91378BAUSHF



8



**Install the "Tilt kit" chain into wall, using proper type of screw depending on type of wall.**



# WALL PARTS SKUS

Super Category	Product ID	Description	Collection	Route
WALL	91378BAUMHW	BAUMANN ASSEMBLY HDW KIT	PT-BAUMANN	PART
WALL	91378BAUSLFBR	BAUMANN CNTR SHELF 142" BRN	PT-BAUMANN	PART
WALL	40BAUMSHELF	BAUMANN CNTR UNIT SHELF NAT 15 ¼ X 53 ¼	PT-BAUMANN	PART
WALL	91BAUMHNDLE	BAUMANN DOOR HANDLE ALL COLORS	PT-BAUMANN	PART
WALL	91378BAU350	BAUMANN DRAWER RUNNER 350MM	PT-BAUMANN	PART
WALL	91378BAUPLATE	BAUMANN ROLLER HOUSING & PLATE	PT-BAUMANN	PART
WALL	91378BAUMNUT	BAUMANN ROLLER HOUSING NUT	PT-BAUMANN	PART
WALL	91378BAUSHF	BUAMANN REPLACEMENT SHELVES BAUMANN	PT-BAUMANN	

**DISCONTINUED**

ARHAUS®

your home

beckett



**Media Console**  
67" w x 16.5" d x 30.5" h  
40BECKETTV



**Single Cabinet**  
33.5" w x 17" d x 70" h  
40BECKSING

## inspired by French farmhouse antiques,

the Beckett cabinet collection contains beautiful reproductions modernized by superior finishes and construction. Built to be heirloom quality, they're benchmade using mahogany solids and veneers and solid brass hardware. These artisan-crafted cabinets can be used anywhere from kitchens and dining rooms to living rooms and home offices.

### product details

- ▶ Frames are built from solid mahogany and mahogany veneers, using mortise-and-tenon construction for years of stability.
- ▶ Media console tops are crafted from thick distressed pine parquetry with solid pine banding.
- ▶ Masterfully crafted, these cabinets feature beautiful reeding and substantial cornices.
- ▶ Bases are finished with an antique black tone, which is distressed to show the warm brown tones underneath.
- ▶ Cabinet interiors feature natural mahogany with an antiqued patina.
- ▶ Finishes are lacquered for added protection and sheen.
- ▶ All pieces feature solid brass hardware that has been washed in an acid bath for a beautiful patina.
- ▶ Doors feature heavy-gauge iron fronts finished with an antique brass patina and sealed in lacquer.
- ▶ Single cabinets feature four removable/adjustable shelves.
- ▶ Single cabinets feature a 24.5" w x 11.5" w x 51.75" h interior cavity.
- ▶ Media consoles also feature cord management holes and adjustable shelving.
- ▶ Due to the nature of materials used and hand-applied finishes, color, pattern, and texture may vary, making each piece unique.
- ▶ Wood furnishings may also display small splits, knots, joint lines, or other natural features. These markings are normal and will not affect the performance of your piece.
- ▶ Due to changes in temperature or humidity, wood furnishings may display slight movement from season to season.



beckett | wall collection | made in Indonesia

Dimensions may vary slightly. Please ensure furnishings fit through interior structures and into desired space before purchase.

# WALL PARTS SKUS

Super Category	Product ID	Description	Collection	Route
WALL	91511BECKEY	BECKETT BUFFET HUTCH KEY	PT-BECKETT	PART
WALL	91511BECSSLG	BECKETT LG CAB L/R SHELF SPRT SLATS FOR LEFT AND RIGHT SIDE	PT-BECKETT	PART
WALL	91511BECMIDLG	BECKETT LG CAB MID SHELF SPRT SLAT WITH GROVE MIDDLE SHELF	PT-BECKETT	PART
WALL	91511BECMIDSTR	BECKETT LG CAB SHELF STRETCHER STRETCHER FOR MIDDLE SHELF	PT-BECKETT	PART
WALL	91BECKKEY	BECKETT MEDIA KEY BECKETT MEDIA KEY	PT-BECKETT	PART
WALL	91511BECSGSTR	BECKETT SINGLE CAB STRETCHER MIDDLE SHELF STRETCHER	PT-BECKETT	PART
WALL	91511BECGSLT	BECKETT SINGLE SHELF SUPPORT SLAT FOR SINGLE CABINET	PT-BECKETT	PART
WALL	91511BECTVSLT	BECKETT TV SHELF SUPPORT SLAT FOR BECKETT TV	PT-BECKETT	PART

shown in  
Ebony



## REFINED YET RUSTIC

Featuring bold, minimalist silhouettes, our Bodhi Collection is a new take on rustic that honors the beauty of simple construction and emphasizes the gorgeous grain of natural white oak. Each piece is carefully built by craftsmen and hand-finished—wire brushed and sanded before a six-step application of stain, glaze, sealer, and lacquer to achieve an elegant, “organically aged” patina. Modern cabinets are equipped with spacious storage for electronics, media, and décor; accented by beautiful brass hardware finished with a subtle champagne tone.

### PRODUCT DETAILS

- + Craftsman-built cabinets are constructed from solid white oak and white oak veneers.
- + Indonesian artisans use wood certified by the Forest Stewardship Council.
- + Finishes are artfully applied by hand. Wood surfaces are wire-brushed and sanded before staining.
- + Finished wood surfaces are sealed and lacquered for added protection and a subtle satin sheen.
- + Hardware is made from solid brass, finished to complement the oak wood’s natural tones.
- + This collection is artisan-crafted from natural materials with hand-applied finishes. Individual pieces may vary in color, pattern, shape, and texture, making each truly unique.
- + Keep your furniture looking its best. Visit [arhaus.com](http://arhaus.com) or speak to any Arhaus Design Consultant for care recommendations.

### FINISHES:



Salvaged  
Grey



Ebony

### NEED HELP?

Visit a store, call **866.427.4287**, or **live chat** with our Design Team to learn more.

# ARHAUS®

your home

# BODHI

WALL COLLECTION | MADE IN INDONESIA

shown in  
Ebony



## 100" MEDIA CABINET

100" w x 15" d x 28" h  
Salvaged Grey 40BDH100MDSG  
Ebony 40BDH100MDEB



## 80" MEDIA CABINET

80" w x 15" d x 28" h  
Salvaged Grey 40BDH80MDSG  
Ebony 40BDH80MDEB



## 80" 3-DRAWER OPEN MEDIA CABINET

80" w x 15" d x 28" h  
Salvaged Grey 40BDH800MDSG  
Ebony 40BDH800MDEB



## 60" MEDIA CABINET

60" w x 15" d x 28" h  
Salvaged Grey 40BDH60MDSG  
Ebony 40BDH60MDEB



## 60" 2-DRAWER OPEN MEDIA CABINET

60" w x 15" d x 28" h  
Salvaged Grey 40BDH600MDSG  
Ebony 40BDH600MDEB

shown in  
Salvaged Grey



38" GLASS-DOOR CABINET

38" w x 18" d x 82" h  
Salvaged Grey 40BDH38GCBSG  
Ebony 40BDH38GCBEB



38" OPEN BOOKCASE

38" w x 15" d x 82" h  
Salvaged Grey 40BDH38OBKSG  
Ebony 40BDH38OBKEB



# ARHAUS®

your home

# BROCK

WALL COLLECTION | MADE IN INDONESIA

shown in  
Boulder Grey



## A MODERN CLASSIC

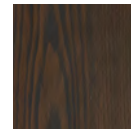
The understated aesthetic of our Brock Collection features sleek silhouettes defined by clean lines and deep, hand-stained finishes. Subtle burnished brass hardware elevates Brock's midcentury style, complementing its natural ash wood with sophisticated detailing.

### PRODUCT DETAILS

- + Our Brock Collection is handcrafted by Indonesian artisans from solid ash wood and ash veneers.
- + Etagere pieces feature open shelving with additional lower cabinet storage below.
- + Media consoles feature adjustable shelving and cord management holes to accommodate media equipment.
- + Media console cabinet doors feature tempered glass panes, providing chic style and visibility into cabinet interiors.
- + Charming slim oval hardware is made from burnished brass to echo the midcentury aesthetic.
- + Finishes are artfully applied by hand, including a clear lacquer for added protection and a subtle sheen.
- + Keep your furniture looking its best. Visit [arhaus.com](https://arhaus.com) or speak to any Arhaus Design Consultant for care recommendations.



FINISHES:  
Dark Twilight



Bahasa  
Brown



Boulder  
Grey

### NEED HELP?

Visit a store, call **866.427.4287**,  
or **live chat** with our Design  
Team to learn more.



# ARHAUS®

your home

# BROCK

WALL COLLECTION | MADE IN INDONESIA

shown in  
Dark Twilight



## ETAGERE

60" w x 16" d x 78" h

Dark Twilight

Bahasa Brown

Boulder Grey

40BRKDTDBETG

40BRKBDETG

40BRKBDGETG



## 60" MEDIA CONSOLE

60" w x 20" d x 28" h

Dark Twilight

Bahasa Brown

Boulder Grey

40BRK60DTMDC

40BRK60BBMDC

40BRK60BDMDC



## 80" MEDIA CONSOLE

80" w x 20" d x 28" h

Dark Twilight

Bahasa Brown

Boulder Grey

40BRK80DTMDC

40BRK80BBMDC

40BRK80BDMDC